

Spare Parts Catalogue

Version: 2014/01/27d EN



DOLOMITE® MELODY



Yes, you can.®

General Information

For any order of spare parts the following information is required:

- Product type*
- Product name & model*
- Serial Number*
- Part-Number*
- Part-Description*

Exploded view drawings and code numbers are not contractual and subject to modification, in relation to Invacare® continuous product improvement policy to meet end users needs.

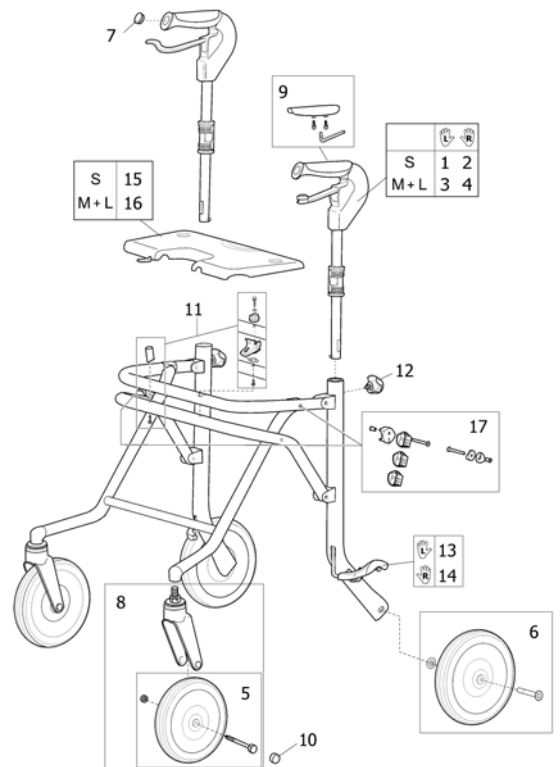
The reproduction or use of this work, or of any substantial part of this work, in any form or by any electronic, mechanical or other means, including photocopying, scanning and recording, and in any information storage and retrieval system, including electronic transmission, is forbidden without the prior written permission of Invacare® International Sarl.



Yes, you can.®

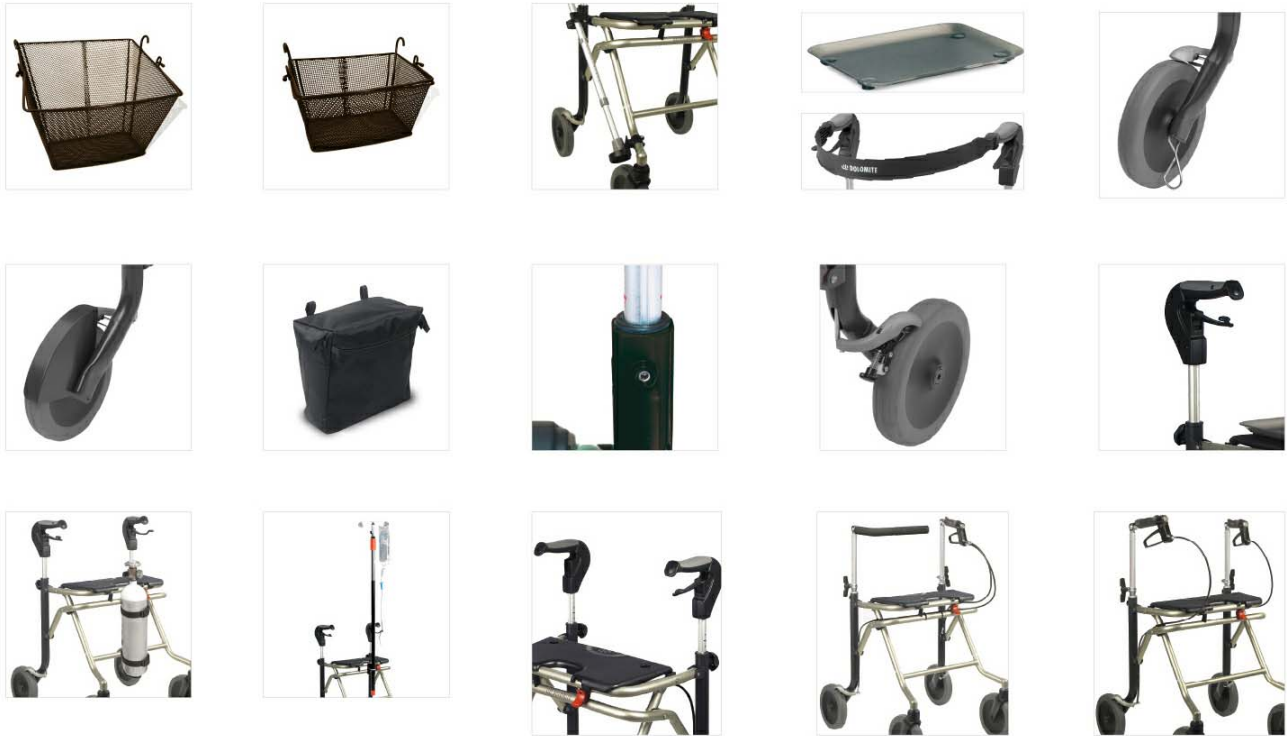
TABLE OF CONTENTS

Spare parts	5
Accessories	6



Pos.	Part number	Description	Valid from → until	Qty
	82181	User manual other languages		1
	82180	User manual Nordic languages		1
1	12703-L	Brake handle left complete with adjustment knob and nut washer <i>MELODY S</i>		1
2	12703-R	Brake handle right complete with adjustment knob and nut washer <i>MELODY S</i>		1
3	12702-L	Brake handle left complete with adjustment knob and nut washer <i>MELODY M/L</i>		1
4	12702-R	Brake handle right complete with adjustment knob and nut washer <i>MELODY M/L</i>		1
5	12609	SL II wheel complete with locking nut <i>Front wheel</i>		1
6	1510552	SL II rear wheel complete		1
7	1452461	Handle plug 20-pack <i>Replaces 70073</i>		1
8	13565-V01	Front fork complete with SL II wheel <i>Replaces 13565</i>		1
9	1452460	Handgrip surface complete with screw and torxkey 10-pack <i>Replaces 12706</i>		1
10	1452282	Cover 20 pcs		1
11	1452464	Distance and folding lock kit 5 pcs <i>Replaces 12707 and 12708</i>		1
12	1452462	Height adjustment knob and nut washer 10-pack <i>Replaces 12704</i>		1
13	12705-L	Brake shoe left complete		1
14	12705-R	Brake shoe right complete		1
15	12713	Seat kit <i>MELODY S</i>		1
16	12712	Seat kit <i>MELODY M/L</i>		1
17	SP1572740	Folding kit cpl., Dolomite Melody		1

Accessories



Pos.	Part number	Description	Valid from → until	Qty
1	12540	Basket, max load 10 kg <i>MELODY M/L</i>		1
2	12542	Basket, max load 7 kg <i>MELODY S</i>		1
3	12606	Cane holder		1
4	70311	Tray		1
5	12628	Back support long <i>MELODY M/L</i>		1
5	12629	Back support short <i>MELODY S</i>		1
6	12563	Kerb climber		1
7	12544	Wheel guard, pair		1
8	12523	Bag black		1
9	13655	Locking screw, pair		1
10	1452396-L	Slow-down brake, Left		1
10	1452396-R	Slow-down brake, Right		1
11	13548-S	High handles, pair <i>MELODY S</i>		1
12	12683	Oxygen holder		1
13	12547	Drip-feed holder <i>MELODY M/L</i>		1
14	12012-44-27L	One-hand brake left. Order complete rollator only (factory assembled). With basket. <i>MELODY M</i>		1
14	12010-44-27R	One-hand brake right. Order complete rollator only (factory assembled). With basket. <i>MELODY L</i>		1
14	12010-44-27L	One-hand brake left. Order complete rollator only (factory assembled). With basket. <i>MELODY L</i>		1
14	12010-44-21L	One-hand brake left. Order complete rollator only (factory assembled). <i>MELODY L</i>		1
14	12012-44-23R	One-hand brake right. Order complete rollator only (factory assembled). With basket, tray and back support. <i>MELODY M</i>		1

Pos.	Part number	Description	Valid from → until	Qty
14	12012-44-27R	One-hand brake right. Order complete rollator only (factory assembled). With basket. <i>MELODY M</i>		1
14	12012-44-23L	One-hand brake left. Order complete rollator only (factory assembled). With basket, tray and back support. <i>MELODY M</i>		1
14	12012-44-21R	One-hand brake right. Order complete rollator only (factory assembled). <i>MELODY M</i>		1
14	12012-44-21L	One-hand brake left. Order complete rollator only (factory assembled). <i>MELODY M</i>		1
14	12010-44-23R	One-hand brake right. Order complete rollator only (factory assembled). With basket, tray and back support. <i>MELODY L</i>		1
14	12010-44-21R	One-hand brake right. Order complete rollator only (factory assembled). <i>MELODY L</i>		1
14	12010-44-23L	One-hand brake left. Order complete rollator only (factory assembled). With basket, tray and back support. <i>MELODY L</i>		1
15	12010-44-23HPR	HP-handle right. Order complete rollator only (factory assembled). With basket and tray. <i>MELODY L</i>		1
15	12010-44-23HPL	HP-handle left. Order complete rollator only (factory assembled). With basket and tray. <i>MELODY L</i>		1
15	12012-44-27HPR	HP-handle right. Order complete rollator only (factory assembled). With basket. <i>MELODY M</i>		1
15	12012-44-27HPL	HP-handle left. Order complete rollator only (factory assembled). With basket. <i>MELODY M</i>		1
15	12010-44-27HPR	HP-handle right. Order complete rollator only (factory assembled). With basket. <i>MELODY L</i>		1
15	12012-44-23HPR	HP-handle right. Order complete rollator only (factory assembled). With basket and tray. <i>MELODY M</i>		1
15	12010-44-27HPL	HP-handle left. Order complete rollator only (factory assembled). With basket. <i>MELODY L</i>		1
15	12012-44-23HPL	HP-handle left. Order complete rollator only (factory assembled). With basket and tray. <i>MELODY M</i>		1
15	12010-44-21HPR	HP-handle right. Order complete rollator only (factory assembled). <i>MELODY L</i>		1
15	12010-44-21HPL	HP-handle left. Order complete rollator only (factory assembled). <i>MELODY L</i>		1
15	12012-44-21HPR	HP-handle right. Order complete rollator only (factory assembled). <i>MELODY M</i>		1
15	12012-44-21HPL	HP-handle left. Order complete rollator only (factory assembled). <i>MELODY M</i>		1
16	12012-44-27ADAPT	Adapt handles set. Order complete rollator only (factory assembled). With basket. <i>MELODY M</i>		1
16	12012-44-21ADAPT	Adapt handles set. Order complete rollator only (factory assembled). <i>MELODY M</i>		1
16	12012-44-23ADAPT	Adapt handles set. Order complete rollator only (factory assembled). With basket and tray. <i>MELODY M</i>		1
16	12010-44-27ADAPT	Adapt handles set. Order complete rollator only (factory assembled). With basket. <i>MELODY L</i>		1
16	12010-44-23ADAPT	Adapt handles set. Order complete rollator only (factory assembled). With basket and tray. <i>MELODY L</i>		1
16	12010-44-21ADAPT	Adapt handles set. Order complete rollator only (factory assembled). <i>MELODY L</i>		1



Yes, you can.®



Belgium & Luxemburg:

Invacare nv, Autobaan 22, B-8210 Loppem
Tel: (32) (0)50 83 10 10, Fax: (32) (0)50 83 10 11
belgium@invacare.com / www.invacare.be

Denmark:

Invacare A/S, Sdr. Ringvej 37, DK-2605 Brøndby
Tel: (45) (0)36 90 00 00, Fax: (45) (0)36 90 00 01
denmark@invacare.com / www.invacare.dk

Deutschland:

Invacare Aquatec GmbH, Alemannenstraße 10, D-88316 Isny
Tel: (49) (0)75 62 7 00 0, Fax: (49) (0)75 62 7 00 66
info@invacare-aquatec.com / www.invacare-aquatec.de

European Distributor Organisation:

Invacare, Kleiststraße 49, D-32457 Porta Westfalica
Tel: (49) (0)57 31 754 540, Fax: (49) (0)57 31 754 541
edo@invacare.com / www.invacare.eu.com

España:

Invacare SA, c/Areny s/n, Polígon Industrial de Celrà, E-17460 Celrà (Girona)
Tel: (34) (0)972 49 32 00, Fax: (34) (0)972 49 32 20
contactsp@invacare.com / www.invacare.es

France:

Invacare Poirier SAS, Route de St Roch, F-37230 Fondettes
Tel: (33) (0)2 47 62 64 66, Fax: (33) (0)2 47 42 12 24
contactfr@invacare.com / www.invacare.fr

Ireland:

Invacare Ireland Ltd, Unit 5 Seatown Business Campus, Seatown Road, Swords, County Dublin - Ireland
Tel: (353) 1 810 7084, Fax: (353) 1 810 7085
ireland@invacare.com / www.invacare.ie

Italia:

Invacare Mecc San s.r.l., Via dei Pini 62, I-36016 Thiene (VI)
Tel: (39) 0445 38 00 59, Fax: (39) 0445 38 00 34
italia@invacare.com / www.invacare.it

Nederland:

Invacare BV, Celsiusstraat 46, NL-6716 BZ Ede
Tel: (31) (0)318 695 757, Fax: (31) (0)318 695 758
nederland@invacare.com, csede@invacare.com / www.invacare.nl

Norge:

Invacare AS, Grensesvingen 9, Postboks 6230, Etterstad, N-0603 Oslo
Tel: (47) (0)22 57 95 00, Fax: (47) (0)22 57 95 01
norway@invacare.com, island@invacare.com / www.invacare.no

Österreich:

Invacare Austria GmbH, Herzog Odilostrasse 101, A-5310 Mondsee
Tel: (43) 6232 5535 0, Fax: (43) 6232 5535 4
info-austria@invacare.com / www.invacare.at

Portugal:

Invacare Lda, Rua Estrada Velha, 949, P-4465-784 Leça do Balio
Tel: (351) (0)225 1059 46/47, Fax: (351) (0)225 1057 39
portugal@invacare.com / www.invacare.pt

Sverige & Suomi:

Invacare AB, Fagerstagatan 9, S-163 91 Spånga
Tel: (46) (0)8 761 70 90, Fax: (46) (0)8 761 81 08
sweden@invacare.com, finland@invacare.com / www.invacare.se

Switzerland:

Invacare AG, Benkenstrasse 260, CH-4108 Witterswil
Tel: (41) (0)61 487 70 80, Fax: (41) (0)61 487 70 81
switzerland@invacare.com / www.invacare.ch

United Kingdom:

Invacare Limited, Pencoed Technology Park, Pencoed, Bridgend CF35 5AQ
Switchboard Tel: (44) (0)1656 776200, Fax: (44) (0)1656 776201
Customer services Tel: (44) (0)1656 776222, Fax: (44) (0)1656 776220
uk@invacare.com / www.invacare.co.uk