

# ***Spare Parts Catalogue***

---

Version: 2016/05/27a EN



**DOLOMITE® FUTURA**



**Yes, you can.®**

## **General Information**

*For any order of spare parts the following information is required:*

- Product type*
- Product name & model*
- Serial Number*
- Part-Number*
- Part-Description*

*Exploded view drawings and code numbers are not contractual and subject to modification, in relation to Invacare® continuous product improvement policy to meet end users needs.*

*The reproduction or use of this work, or of any substantial part of this work, in any form or by any electronic, mechanical or other means, including photocopying, scanning and recording, and in any information storage and retrieval system, including electronic transmission, is forbidden without the prior written permission of Invacare® International Sarl.*



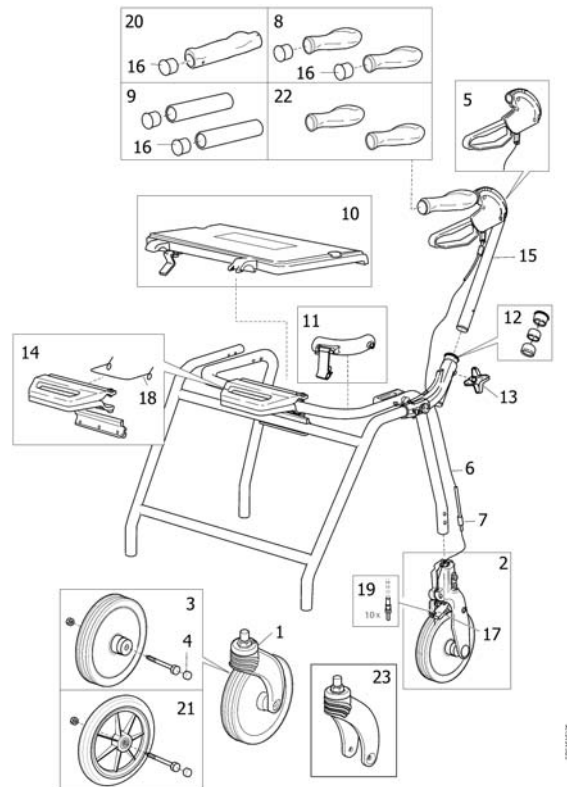
**Yes, you can.®**

## **TABLE OF CONTENTS**

---

Spare parts .....	5
Accessories .....	7

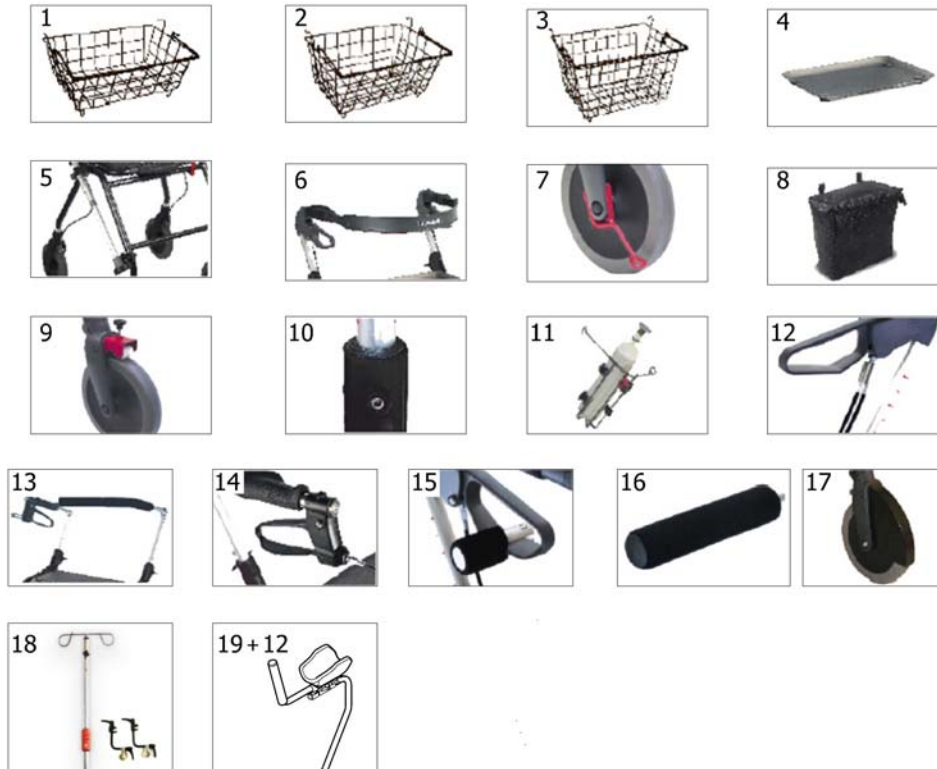




Pos.	Part number	Description	Valid from → until	Qty
	82104	User manual		1
1	SP1580412	FRONT FORK WITH SL II WHEEL		1
2	1534944	Rear fork complete DABS II with wheel, black		1
3	12609	SL II wheel complete with locking nut		1
4	1452282	Cover 20 pcs		1
5	12619-L	Brake handle left		1
5	12619-R	Brake handle right		1
6	1452283	Wire 10 pcs		1
7	1529910	Cover L=500 mm 10 pcs <i>FUTURA 450 - Replaces 80088</i>		1
7	1529917	Cover L=550 mm 10 pcs <i>FUTURA 520 - Replaces 80089</i>		1
7	1529918	Cover L=630 mm 10 pcs <i>FUTURA 600 - Replaces 80090</i>		1
7	1529935	Cover L=715 mm 10 pcs <i>FUTURA 680 - Replaces 80091</i>		1
8	12519	Anatomic handgrip, pair		1
9	12593	Soft Handgrip L=150mm, 2-pack		1
10	12545	Seat kit		1
11	12656	Folding lock complete		1
11	1452288	Folding lock red 10 pcs		1
12	12687	Handle attachment for folding hinge, pair		1
13	SP1584459	Locking knob 10-pack (Futura/Symphony)		1
14	1510376	Folding mechanism kit <i>Replaces 12622 and 12647</i>		1
15	13509-L	Brake handle left complete		1
15	13509-R	Brake handle right complete		1
16	1529859	End cap 20 pcs <i>Replaces 70246</i>		1
17	12620	Brake shoe complete		1
18	1529858	Spring for Foldinghandle 10 pcs <i>Replaces 72025</i>		1
19	1542524	Adjustmentscrew with nut, 10 pcs		1

**Spare parts**

<b>Pos.</b>	<b>Part number</b>	<b>Description</b>	<b>Valid from → until</b>	<b>Qty</b>
20	1560485	Anatomical handle 10 pcs		1
21	1560637	Wheel 200x32 pneumatic cpl		1
22	12522	Anatomic grip, anti-static, Pair		1
23	SP1553013	Front Fork Cpl.		1



Pos.	Part number	Description	Valid from → until	Qty
1	12538-15	Basket, max load 7 kg <i>FUTURA 450</i>		1
2	12530-15	Basket, max load 9 kg <i>FUTURA 520/600</i>		1
3	12582-15	Basket, max load 9 kg <i>FUTURA 680</i>		1
4	70311	Tray		1
5	12606	Cane holder		1
6	12600	Back support		1
7	12560-21	Kerb climber right side		1
8	12523	Bag black		1
9	13041-21	Slow-down-brake, 2 units		1
10	1542479	Screw P6SS M8X10 A2 10-pack		1
11	12682-25	Oxygen holder <i>FUTURA 520/600/680</i>		1
12	12507-L	One-hand brake left		1
12	12507-R	One-hand brake right		1
13	12611-R-45	HP-handle right <i>FUTURA 450</i>		1
13	12611-L-68	HP-handle left <i>FUTURA 680</i>		1
13	12611-L-52	HP-handle left <i>FUTURA 520</i>		1
13	12611-L-60	HP-handle left <i>FUTURA 600</i>		1
13	12611-R-68	HP-handle right <i>FUTURA 680</i>		1
13	12611-R-52	HP-handle right <i>FUTURA 520</i>		1
13	12611-R-60	HP-handle right <i>FUTURA 600</i>		1
13	12611-L-45	HP-handle left <i>FUTURA 450</i>		1
14	12613	Adapt handles set		1
15	12651	Brake booster		1

## Accessories

Pos.	Part number	Description	Valid from → until	Qty
16	12593	Soft Handgrip L=150mm, 2-pack		1
17	12544	Wheel guard, pair		1
18	SP1582476	IV-Pole, telescopic, cpl.		1
19	SP1585082	Support, forearm, RH, CPL <i>Most be ordered with one arm brake 12507-L</i>		1
19	SP1585081	Support, forearm, LH, CPL <i>Most be ordered with one-arm-brake 12507-R</i>		1







Yes, you can.®



---

**Belgium & Luxemburg:**

Invacare nv, Autobaan 22, B-8210 Loppem  
Tel: (32) (0)50 83 10 10, Fax: (32) (0)50 83 10 11  
belgium@invacare.com / www.invacare.be

**Denmark:**

Invacare A/S, Sdr. Ringvej 37, DK-2605 Brøndby  
Tel: (45) (0)36 90 00 00, Fax: (45) (0)36 90 00 01  
denmark@invacare.com / www.invacare.dk

**Deutschland:**

Invacare Aquatec GmbH, Alemannenstraße 10, D-88316 Isny  
Tel: (49) (0)75 62 7 00 0, Fax: (49) (0)75 62 7 00 66  
info@invacare-aquatec.com / www.invacare-aquatec.de

**European Distributor Organisation:**

Invacare, Kleiststraße 49, D-32457 Porta Westfalica  
Tel: (49) (0)57 31 754 540, Fax: (49) (0)57 31 754 541  
edo@invacare.com / www.invacare.eu.com

**España:**

Invacare SA, c/Areny s/n, Polígon Industrial de Celrà, E-17460 Celrà (Girona)  
Tel: (34) (0)972 49 32 00, Fax: (34) (0)972 49 32 20  
contactsp@invacare.com / www.invacare.es

**France:**

Invacare Poirier SAS, Route de St Roch, F-37230 Fondettes  
Tel: (33) (0)2 47 62 64 66, Fax: (33) (0)2 47 42 12 24  
contactfr@invacare.com / www.invacare.fr

**Ireland:**

Invacare Ireland Ltd, Unit 5 Seatown Business Campus, Seatown Road, Swords, County Dublin - Ireland  
Tel: (353) 1 810 7084, Fax: (353) 1 810 7085  
ireland@invacare.com / www.invacare.ie

**Italia:**

Invacare Mecc San s.r.l., Via dei Pini 62, I-36016 Thiene (VI)  
Tel: (39) 0445 38 00 59, Fax: (39) 0445 38 00 34  
italia@invacare.com / www.invacare.it

**Nederland:**

Invacare BV, Celsiusstraat 46, NL-6716 BZ Ede  
Tel: (31) (0)318 695 757, Fax: (31) (0)318 695 758  
nederland@invacare.com, csede@invacare.com / www.invacare.nl

**Norge:**

Invacare AS, Grensesvingen 9, Postboks 6230, Etterstad, N-0603 Oslo  
Tel: (47) (0)22 57 95 00, Fax: (47) (0)22 57 95 01  
norway@invacare.com, island@invacare.com / www.invacare.no

**Österreich:**

Invacare Austria GmbH, Herzog Odilostrasse 101, A-5310 Mondsee  
Tel: (43) 6232 5535 0, Fax: (43) 6232 5535 4  
info-austria@invacare.com / www.invacare.at

**Portugal:**

Invacare Lda, Rua Estrada Velha, 949, P-4465-784 Leça do Balio  
Tel: (351) (0)225 1059 46/47, Fax: (351) (0)225 1057 39  
portugal@invacare.com / www.invacare.pt

**Sverige & Suomi:**

Invacare AB, Fagerstagatan 9, S-163 91 Spånga  
Tel: (46) (0)8 761 70 90, Fax: (46) (0)8 761 81 08  
sweden@invacare.com, finland@invacare.com / www.invacare.se

**Switzerland:**

Invacare AG, Benkenstrasse 260, CH-4108 Witterswil  
Tel: (41) (0)61 487 70 80, Fax: (41) (0)61 487 70 81  
switzerland@invacare.com / www.invacare.ch

**United Kingdom:**

Invacare Limited, Pencoed Technology Park, Pencoed, Bridgend CF35 5AQ  
Switchboard Tel: (44) (0)1656 776200, Fax: (44) (0)1656 776201  
Customer services Tel: (44) (0)1656 776222, Fax: (44) (0)1656 776220  
uk@invacare.com / www.invacare.co.uk