



REHASENSE

*more than mobility*

## SERVICE MANUAL

# ***ROUTER***

### Light Weight Rollator



CE

## 0 Content

1. Cleaning
2. Technical data
3. Maintenance
4. Refurbishment
5. How to deposit the product
6. Warranty
7. Spare parts
8. Exchange of spare parts – instructions

## 1 Cleaning

General:

- Clean the device regularly and keep it clean.
- Lighter dirt and dust can be removed with a wet cloth.
- Larger parts of dirt can be removed with a non-corroding, mild washing agent and warm water.
- Do not use harsh abrasives or bleach based cleaners, as this may cause damage or discolouration.
- Dry parts with a soft cloth.

Wheels:

- Clean wheels with warm water and a mild cleanser. Dry with a clean rag.
- Lubricate with multi-purpose oil periodically or if wheels begin to squeak.

Wheel axles:

- The area between the fork and the front wheel should be kept clean, because dirt and hair accumulating there and can cause faster wear of caster bearings.
- To do so, one should disassemble the front caster by disassembling it from the fork (according to the instruction in **paragraph 8.12**), to remove all dirt, and then preserve the metal elements of the wheel (i.e. to apply technical grease).

Brakes:

- If not working correctly the brakes should be adjusted according to the instructions in **paragraph 8.4**.

## 2 Technical data

<b>„ROUTER“ light weight rollator</b>			
<b>Size</b>	<b>Small</b>	<b>Medium</b>	<b>Large</b>
Max. load	150 kg	150 kg	150 kg
Max. load of the bag	5 kg	5 kg	5 kg
Total weight without shopping bag	6,8 kg	6,9 kg	7,2 kg
Shopping bag	0,4 kg	0,4 kg	0,4 kg
Length	66 cm	66 cm	66 cm
Total height folded (lowest)	72 cm	74 cm	79 cm
Width opened	60,8 cm	60,8 cm	60,8 cm
Width folded	22,5 cm	22,5 cm	22,5 cm
Seat Width	46 cm	46 cm	46 cm
Height of hand grips (adjustable)	63 – 79 cm	66 – 86 cm	74 - 102 cm
Height of seat	50 cm	55 cm	62 cm
Brakes	2 handbrakes with locking function		
Wheels (diameter x width)	20,2 x 3,5 cm	20,2 x 3,5 cm	20,2 x 3,5 cm

### **3 Maintenance**

- Ensure that every part of the rollator is secure at ALL times.
- Check all screws for tightness. Tighten if necessary.
- Replace any broken, damaged or worn items immediately.

### **4 Refurbishment**

The walker is suitable for re-use. Before passing on to another user it must be subject to an inspection by the specialist dealer.

The following points have to be checked:

- Visual inspection of the frame
- Secure seating of nuts and bolts
- Condition of the plastic elements
- Condition of wheels and ball bearings
- Effectiveness and condition of the brakes

When a part is damaged or broken it must be replaced. It is recommended to replace the wheels whenever a change. All loose bolts and nuts must be tightened.

The product must be thoroughly cleaned and disinfected prior to reuse.

It is recommended to remove the seat and the shopping bag before cleaning and to replace with new.

**WARNING!** It is forbidden to re-use the rollator when the frame is bent or broken.

The instruction manual must accompany the rollator with every change.

### **5 How to deposit the product**







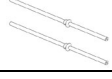
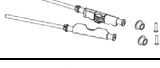





The device should not be deposited with normal garbage. It should be delivered to the deposit station for re-use or recycling.

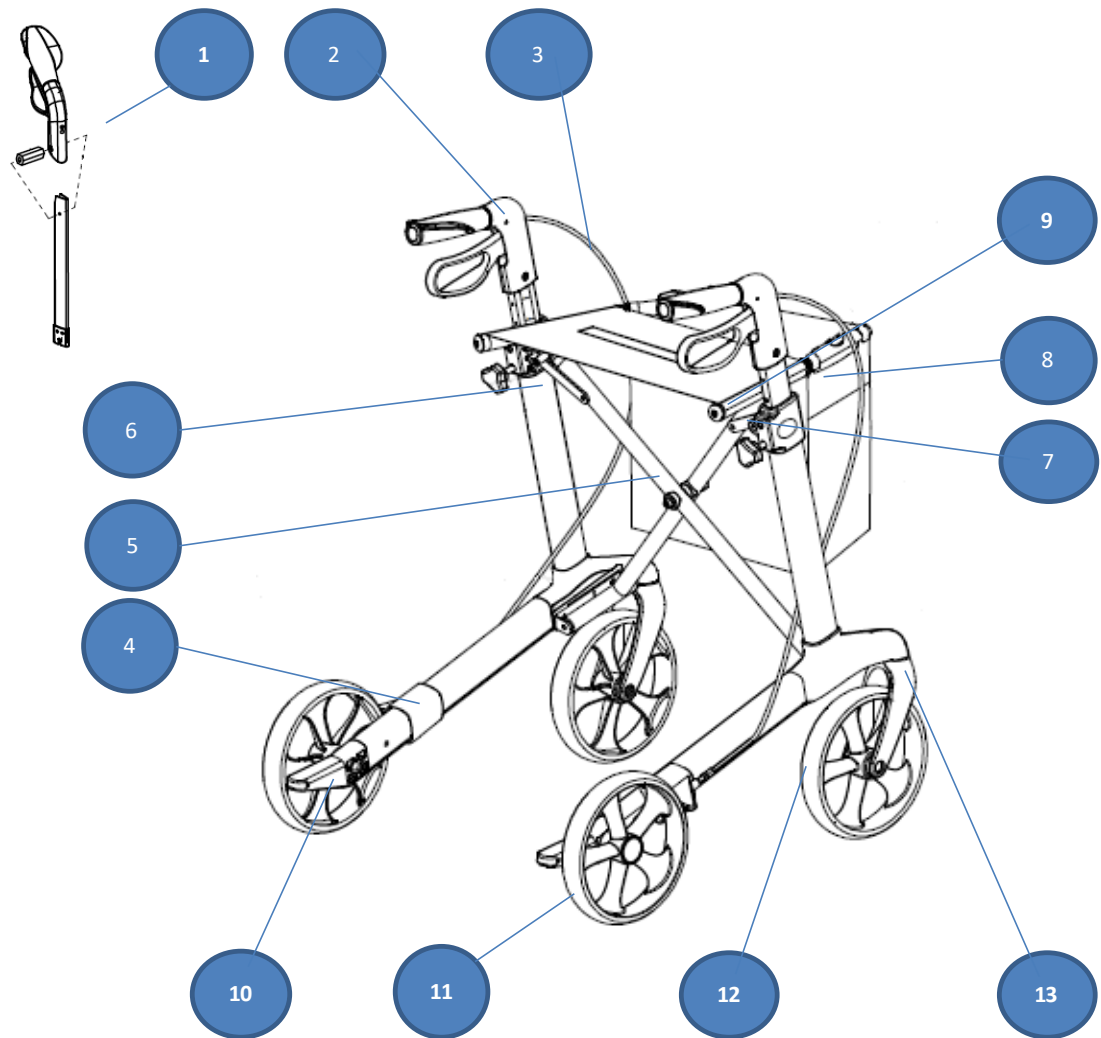
### **6 Warranty**

The manufacturer offers a 2 year guarantee for errors in production and 5 years guarantee on the aluminium frame. The guarantee is not valid by misuse of the product.



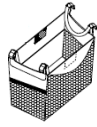
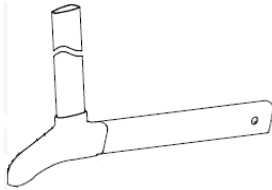
## 7 Spareparts

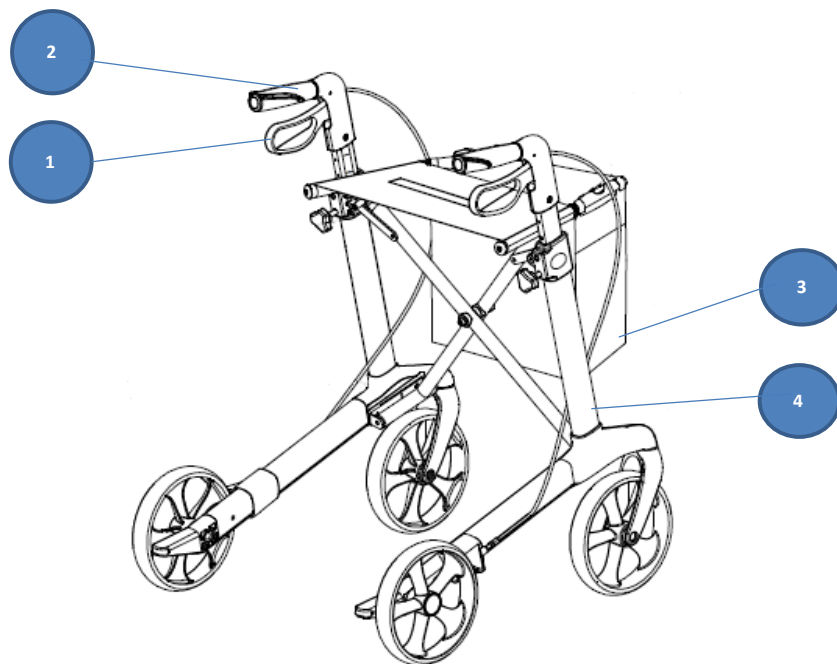
### 7.1 General

Pos	Description	Article No.		Qty	Image
		Left	Right		
1	Complete push handle set with tube for L size	ROL1E3-RS	ROL1DZ-RS	2	 
	Complete push handle set with tube for M size	ROL1E4-RS	ROL1E1-RS		
	Complete push handle set with tube for S size	ROL1E5-RS	ROL1E2-RS		
2	Complete plastic push handle	ROL1DL-RS	ROL1DK-RS	2	
3	Brake cable:d5.0x1000-d1.5x1155mm for L-size	69100X-RS		2	
	Brake cable,d5.0x840mm-d1.5x995mm for rollator M,S size	69100Z-RS			
4	Brake block set ; left + right side as one set	ROL1DR-RS		2	
5	Complete cross brace for L size	ROL1DS-RS		1	
	Complete cross brace for M size	ROL1DT-RS			
	Complete cross brace for S size	ROL1DU-RS			
6	Complete locking mechanism for cross brace for L size	ROL1DW-RS		1	
	Complete locking mechanism for cross brace for M size	ROL1DX-RS			
	Complete locking mechanism for cross brace for S size	ROL1DY-RS			
7	Shafts for shopping basket (set of 2)	ROL20W-RS		1	
8	Lock system shaft assembly	ROL20A-RS		1	
9	Black seat with pull strap and rings	ROL10F-RS		1	
10	Black step pedal	ROL117-RS		2	
11	Front wheel	ROL30H-RS		2	
12	Rear wheel	ROL30J-RS		2	
13	Black front fork	ROL11Z-RS		2	



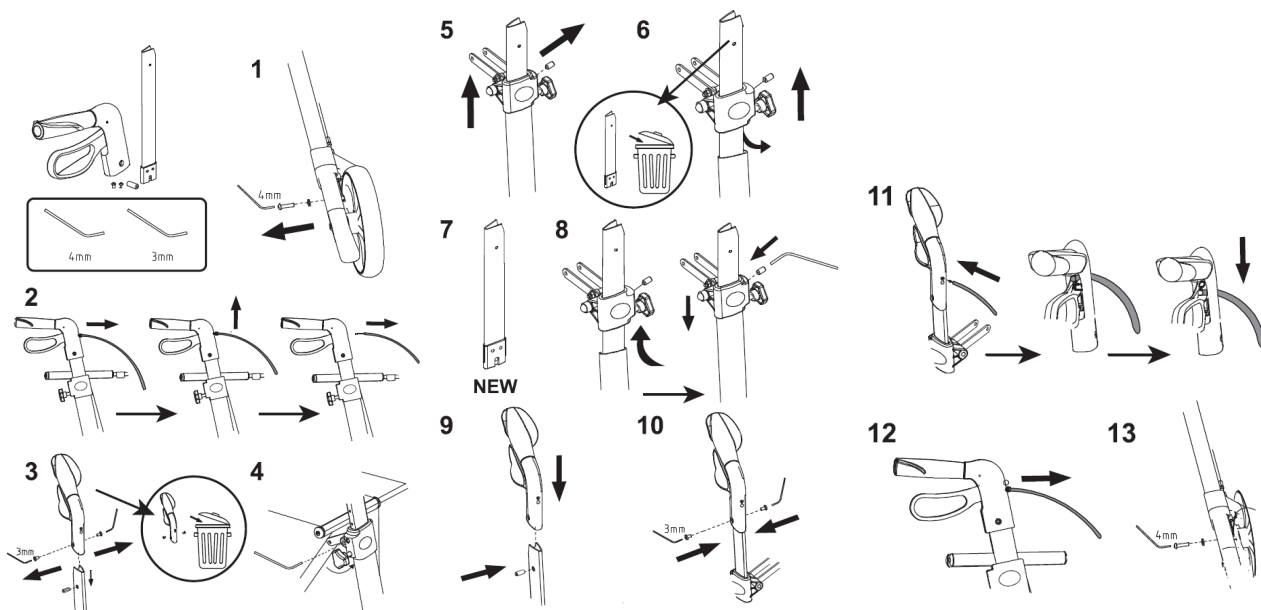
## 7.2 Other

1	Brake handle	ROL10L	ROL10M	2	
2	Soft ergonomic handgrip for push handle, black TPR	ROL11V	ROL11U	2	
3	Standard shopping bag for L,M size	ROL1AA		1	
	Standard shopping bag for S size	ROLSAA			
4	Side frame L size Wine Red	ROL18L	ROL18K	2	
	Side frame M size Wine Red	ROL1CL	ROL1CN		
	Side frame S size Wine Red	ROL18K	ROL18H		
	Side frame L size Sober Grey	ROL191	ROL192		
	Side frame M size Sober Grey	ROL1CM	ROL1CP		
	Side frame S size Sober Grey	ROL1BL	ROL18J		

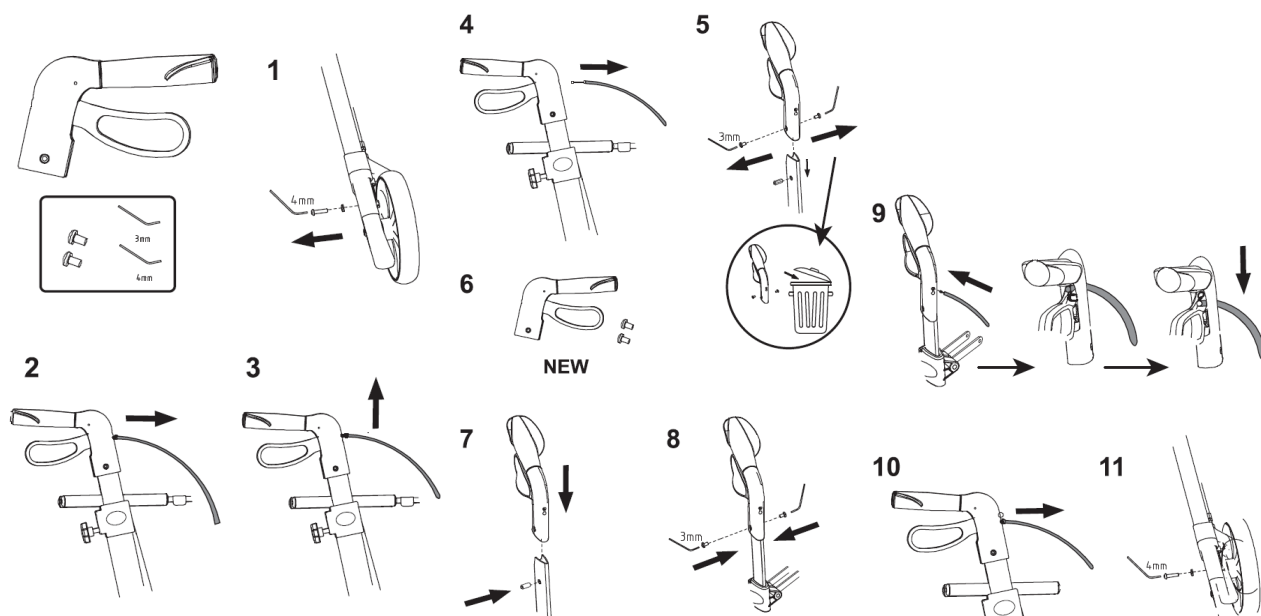


## 8 Exchange of spareparts

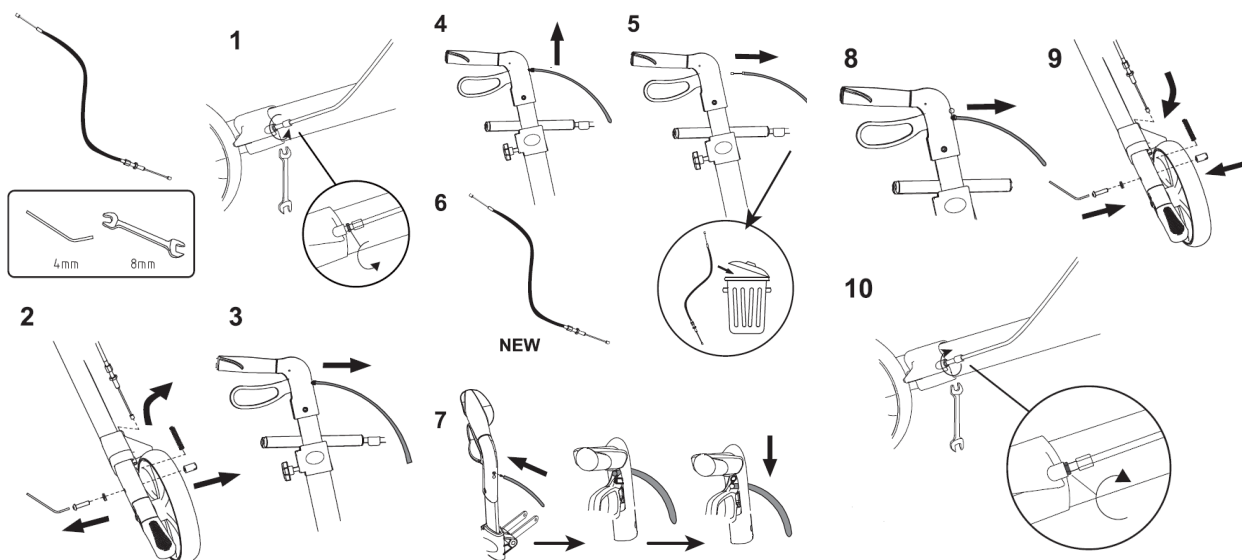
### 8.1 Replacement of complete driving handle incl. height adjustment profile



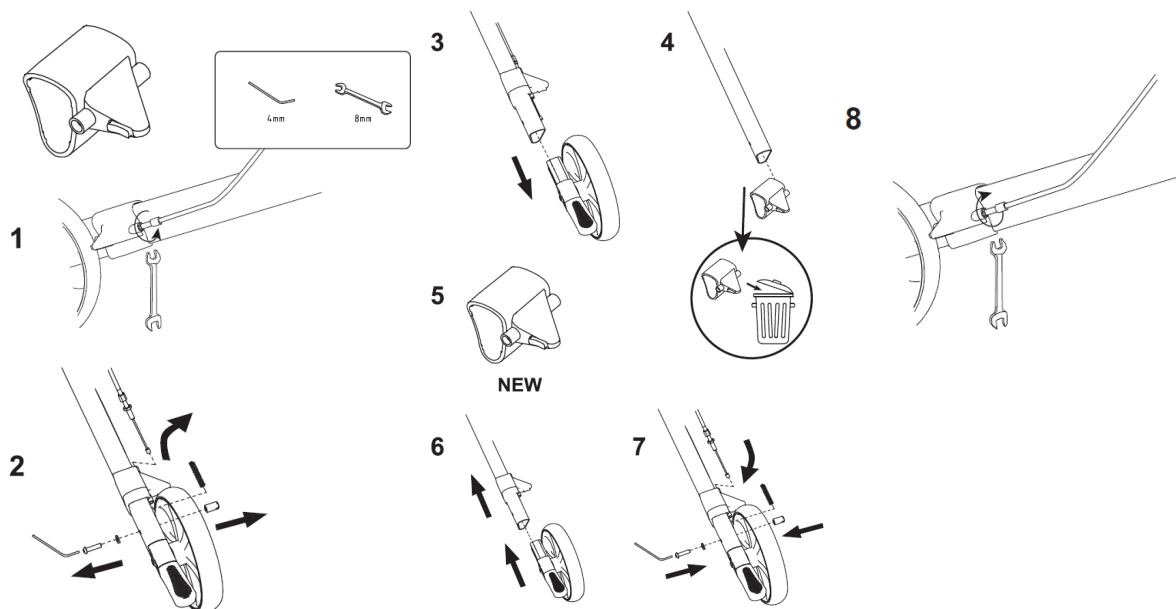
### 8.2 Replacement of driving handle



### 8.3 Replacement of brake cable

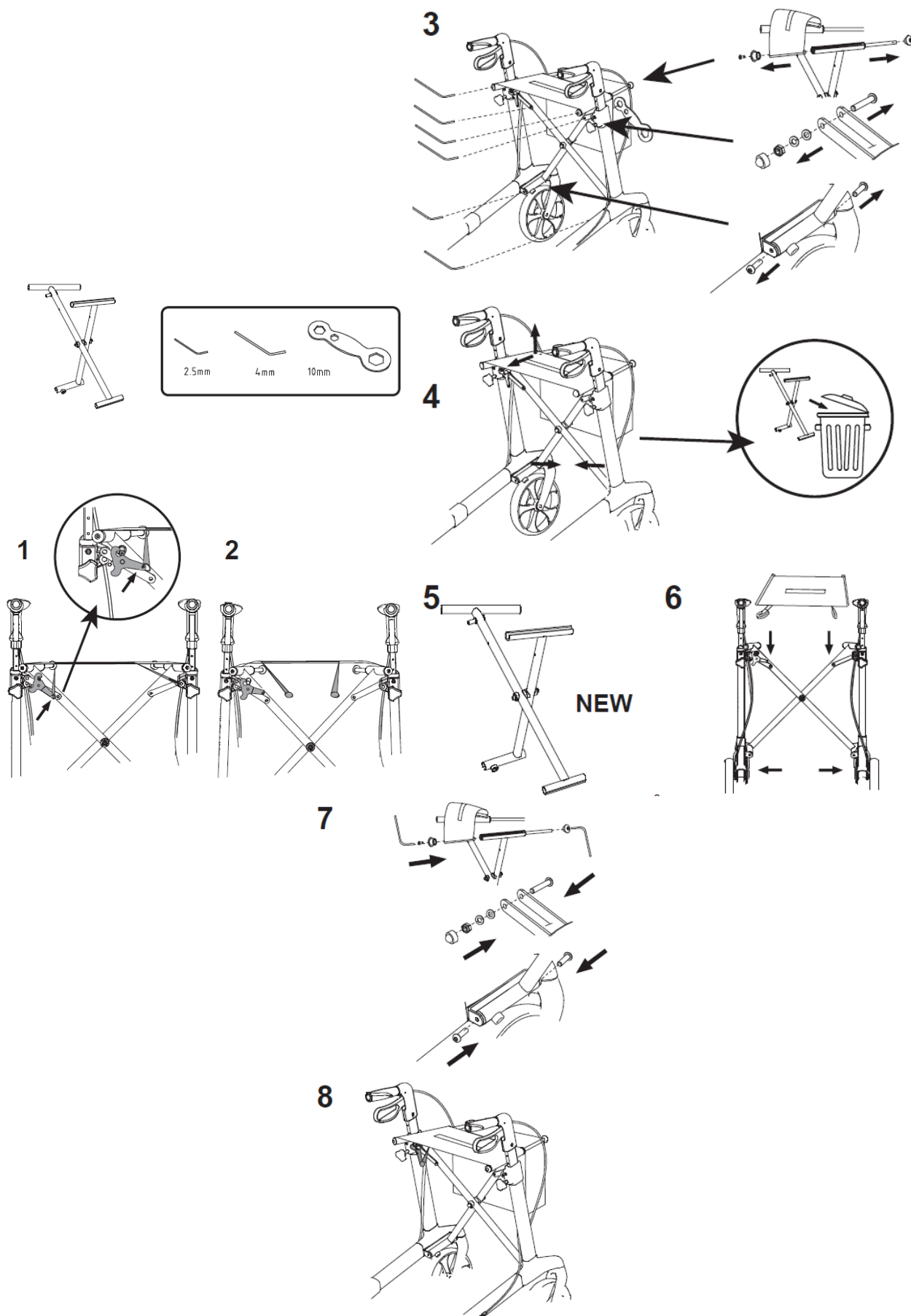


### 8.4 Replacement of brake block

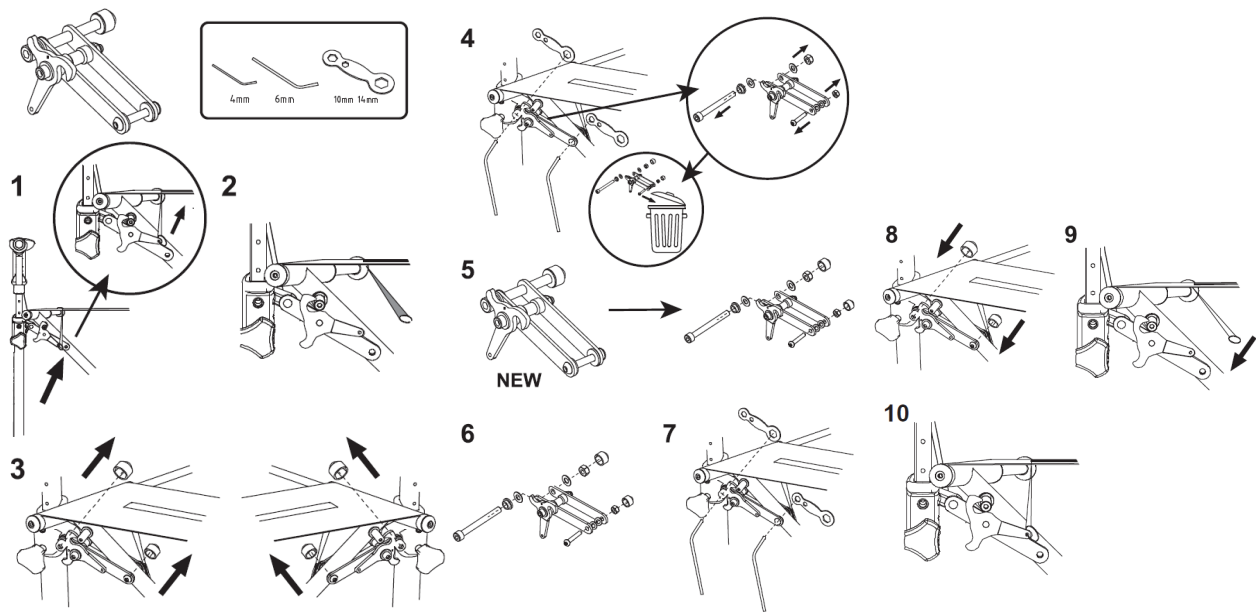




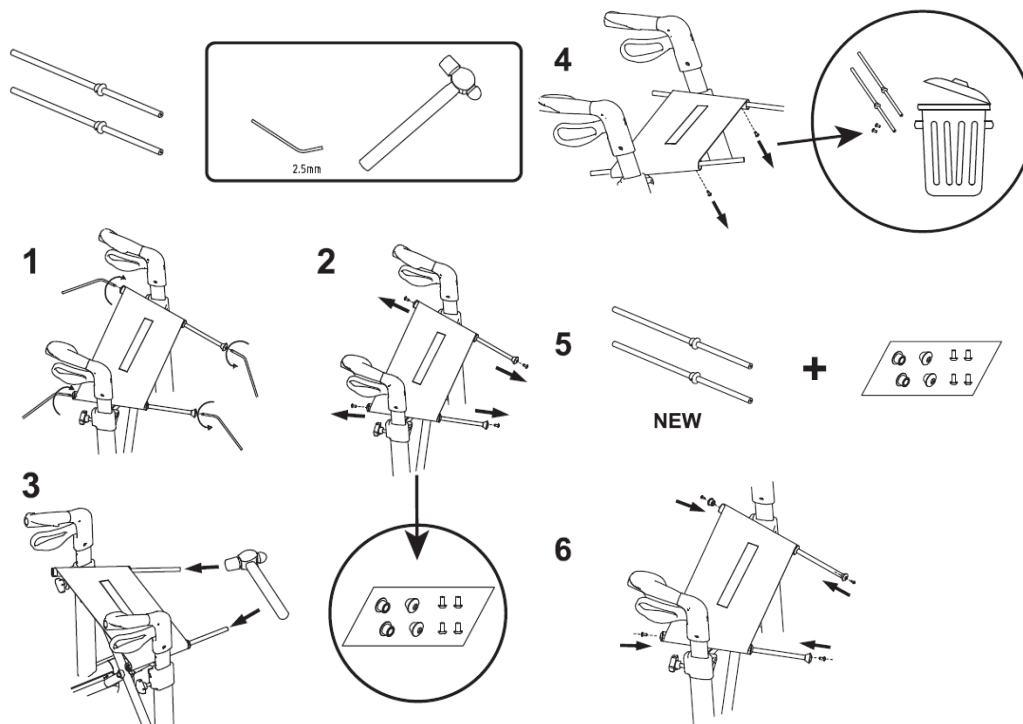
## 8.5 Replacement of cross brace



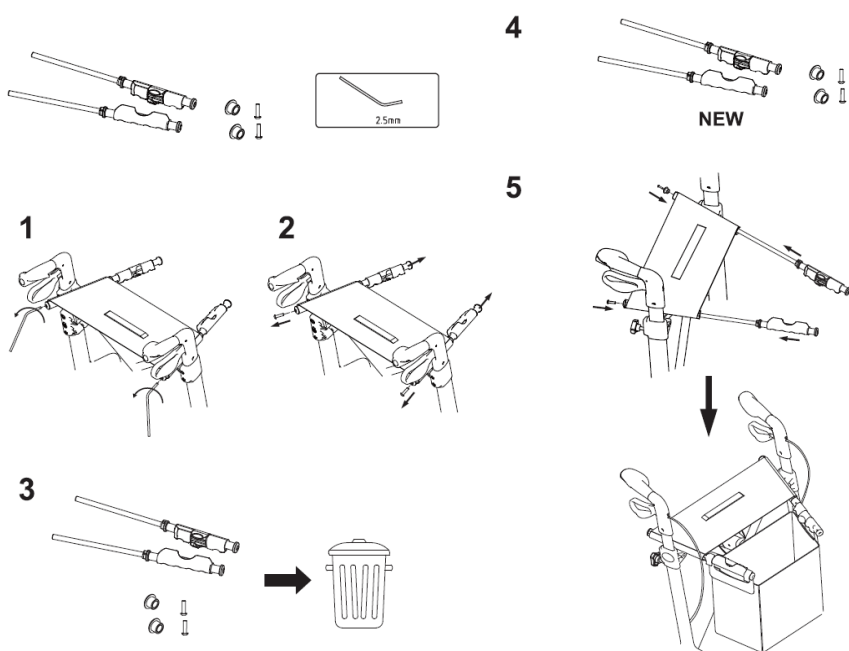
## 8.6 Replacement of locking mechanism



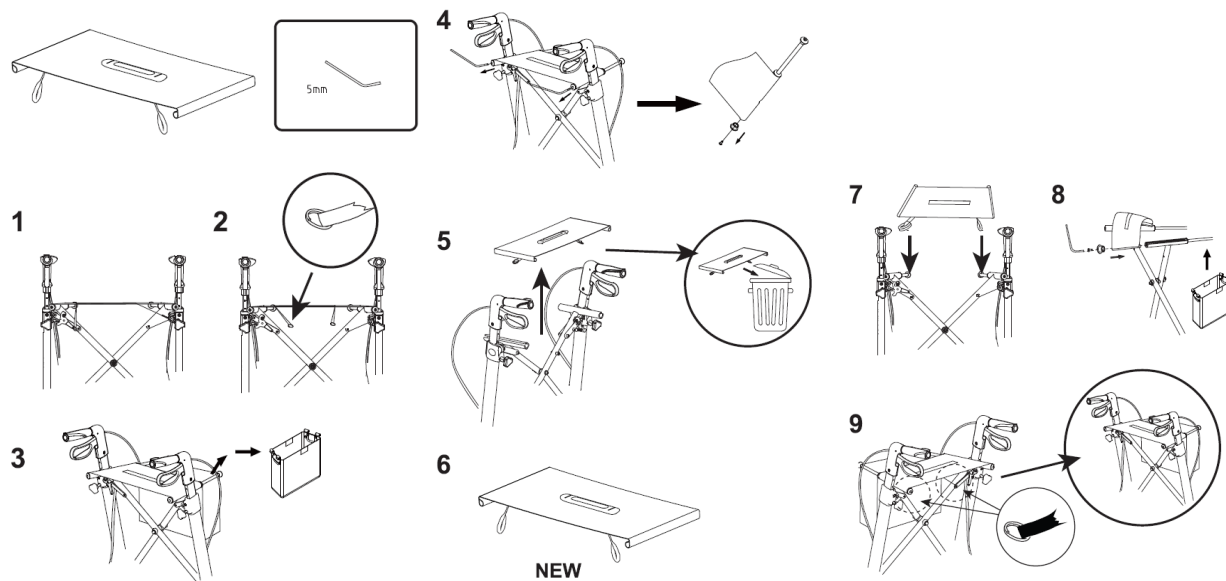
## 8.7 Replacement of shafts



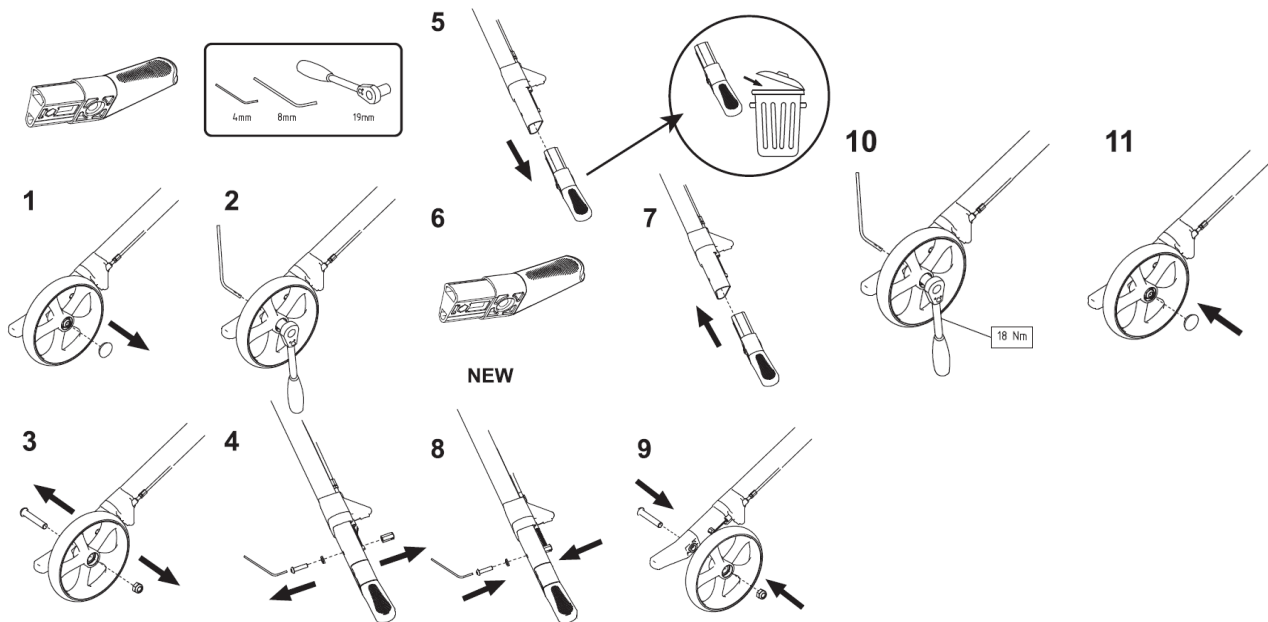
## 8.8 Replacement of shafts on rollers with button lock system



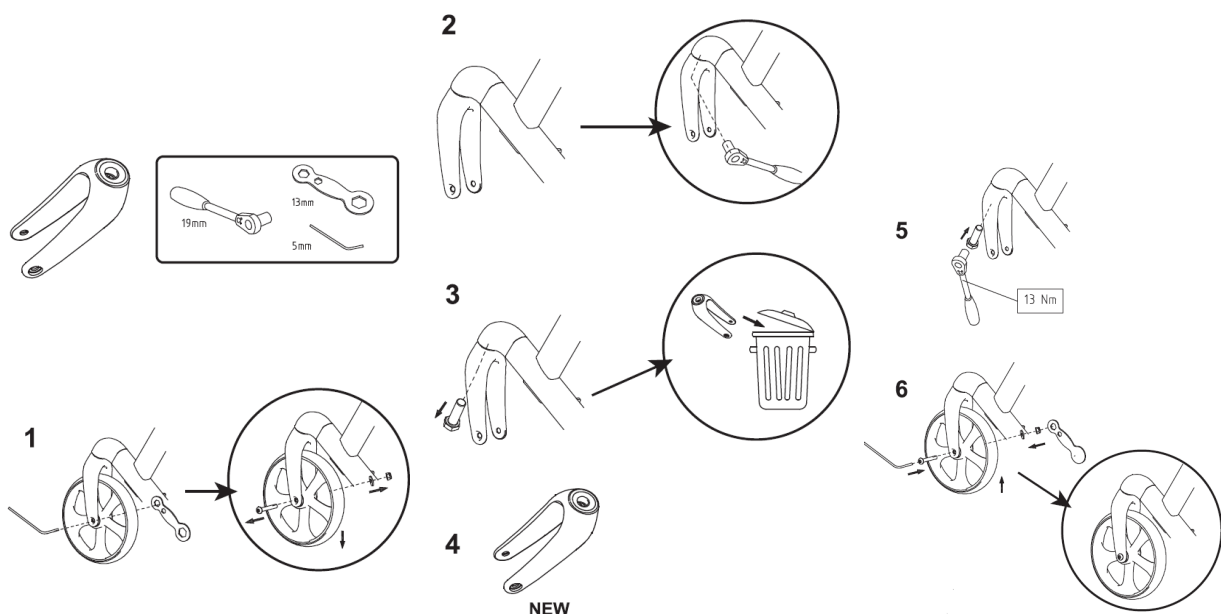
## 8.9 Replacement of seat



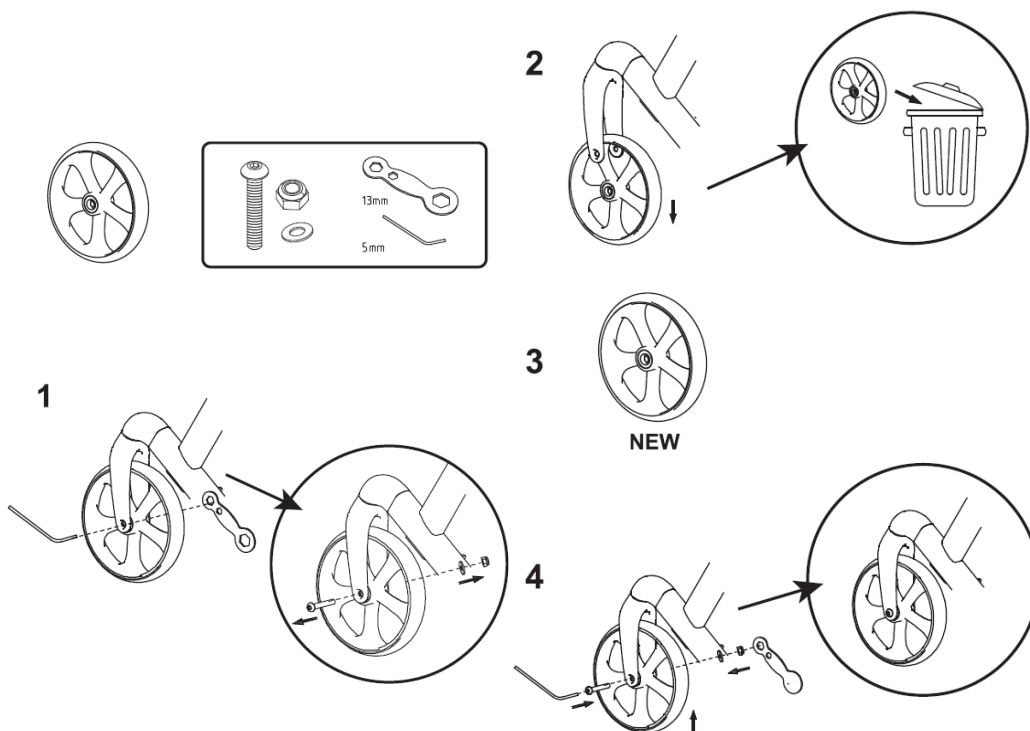
## 8.10 Replacement of step pedal



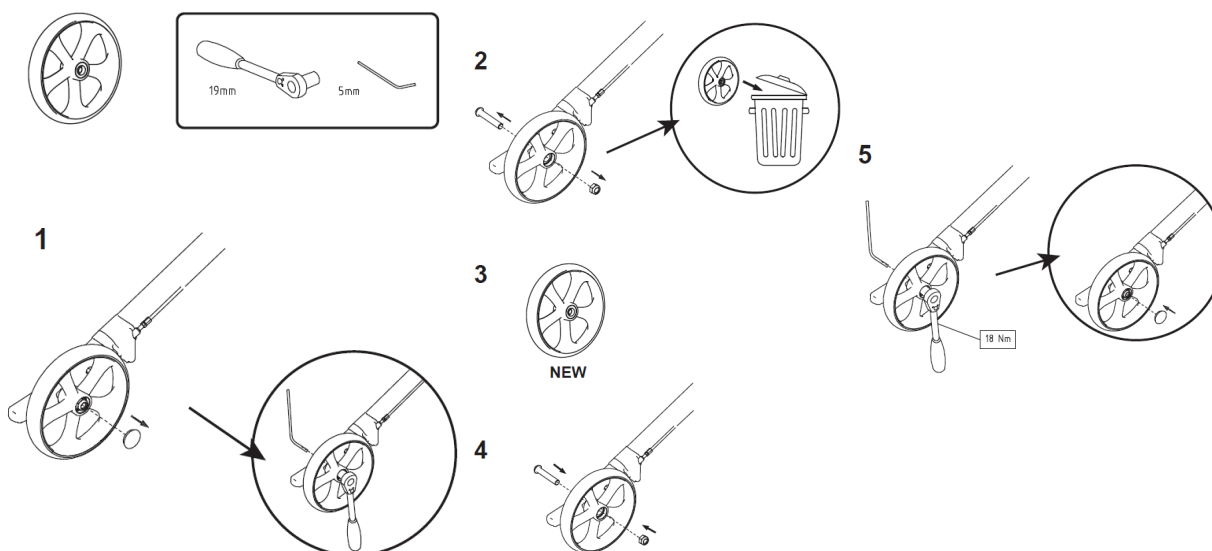
## 8.11 Replacement of front fork



## 8.12 Replacement of front wheel



## 8.13 Replacement of rear wheel



**Rehasense® Sp.z o.o.**

**Rehasense® Europe**  
Sulejowska 45  
97-300 Piotrków Trybunalski  
Polen

[www.rehasense.com](http://www.rehasense.com)  
[info@rehasense.com](mailto:info@rehasense.com)