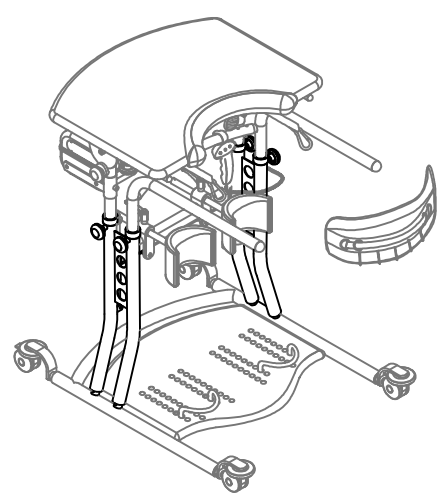
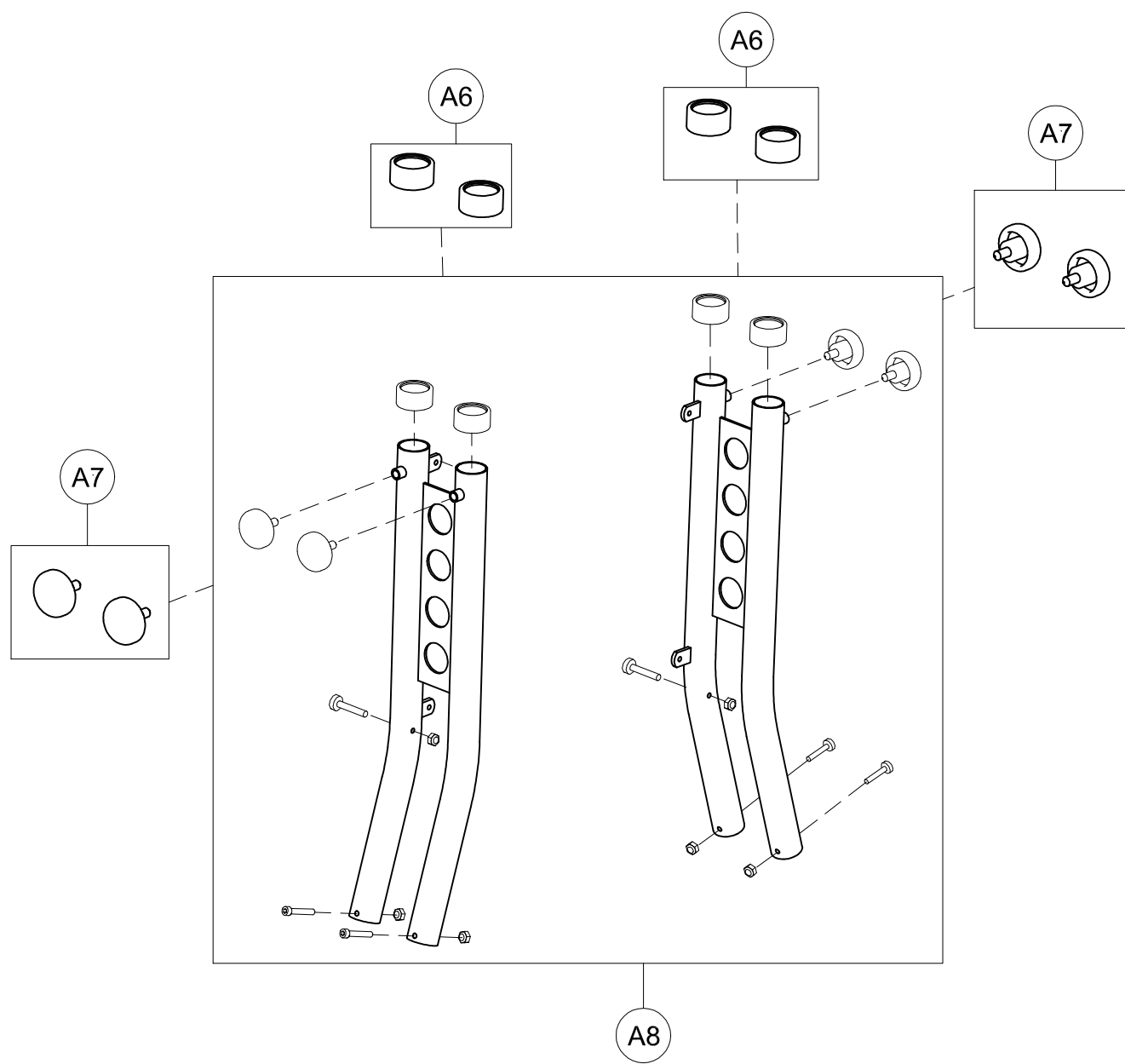


A1	302162	PAIR OF HEELRESTS STAN DY WING
A2	302163	FOOTREST + SCREWS STAN DY ELECTRO WING
A3	302164	BASE WITH WHEELS AND FOOTREST STAN DY WING
A4	301781	BUMPER PAIR Ø22
A5	302165	PAIR OF STAN DY WING WHEELS
POS.	PART NR.	DESCRIPTION

Spare Parts BASE

**ORMESA**

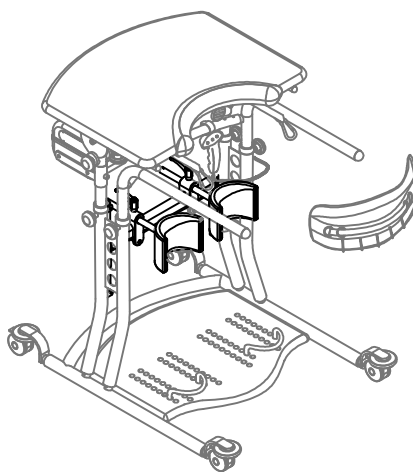
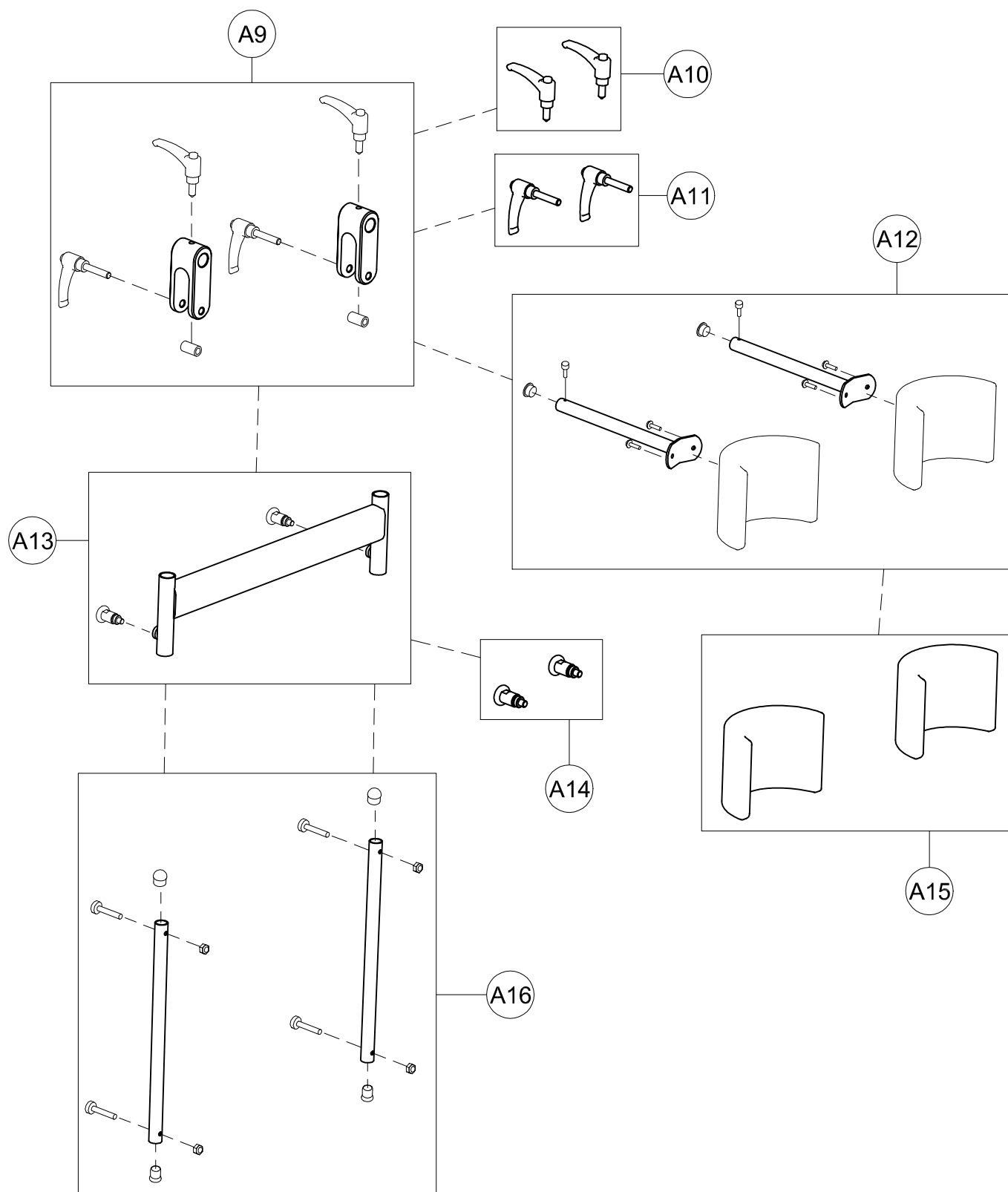
Standy Electro  
**WING**



A6	302159	PAIR OF BUSHING FOR STANDY WING SIDES
A7	302160	PAIR OF HANDWHEELS M10X20
A8	302161	PAIR OF VERTICAL SIDES FOR STANDY WING
POS.	PART NR.	DESCRIPTION

**Spare Parts SIDES** pag. 2

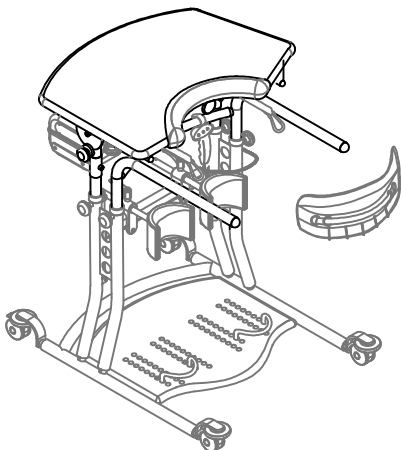
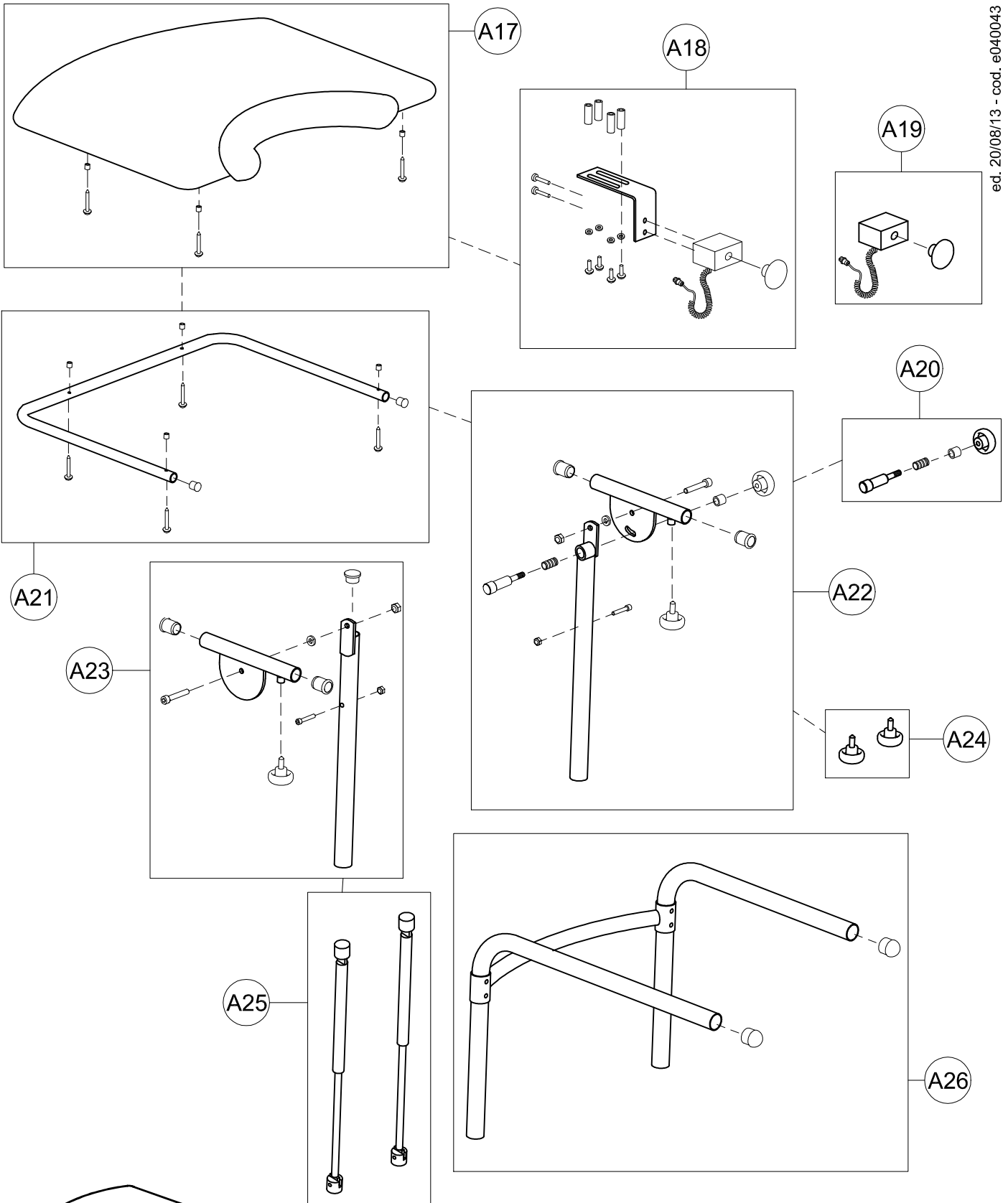
THIS DRAWING BELONGS TO ORMESA: IT IS FORBIDDEN TO REPRODUCE, CHANGE OR INFORM ANY THIRD PARTY ABOUT ITS CONTENTS



A9	302166	PAIR OF ALUMINIUM SUPPORTS FOR KNEE PADS
A10	302167	PAIR OF HANDLES M10X25
A11	302168	PAIR OF HANDLES M10X50
A12	302169	PAIR OF KNEE PADS WITH BARS
A13	301735	KNEE BLOCK ADJUSTMENT FRAME
A14	301774	PAIR OF SPRING LOCKS M12X1
A15	302170	PAIR OF KNEE PADS STANDY WING
A16	302171	PAIR OF VERTICAL BARS FOR KNEE PADS
POS.	PART NR.	DESCRIPTION

**Spare Parts KNEE PADS**



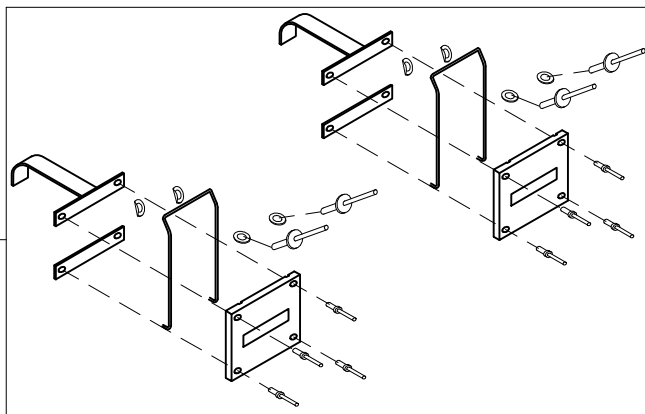


A17	302172	TABLE + SCREWS FOR STANDY WING
A18	301743	BRACKET+BOX+EMERGENCY BUTTON
A19	301744	BOX+EMERGENCY BUTTON
A20	302173	HANDWHEEL+PIN+SPRING FOR TABLE TILTING
A21	301745	TABLE FRAME COMPLETE
A22	301741	RIGHT VERTICAL BAR FOR TABLE HEIGHT ADJUST.
A23	301742	LEFT VERTICAL BAR FOR TABLE HEIGHT ADJUST.
A24	302160	PAIR OF HANDWHEELS M10X20
A25	302174	PAIR OF GAS SPRINGS FOR STANDY WING
A26	301739	HANDREST FRAME

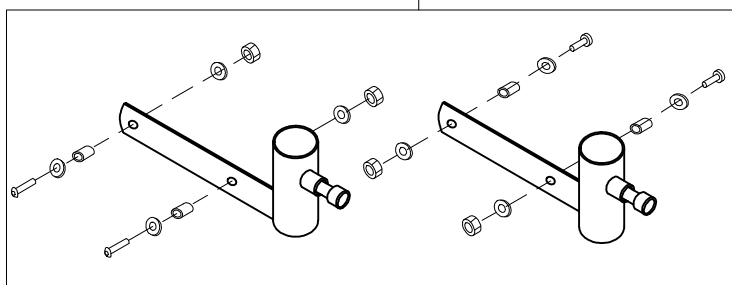
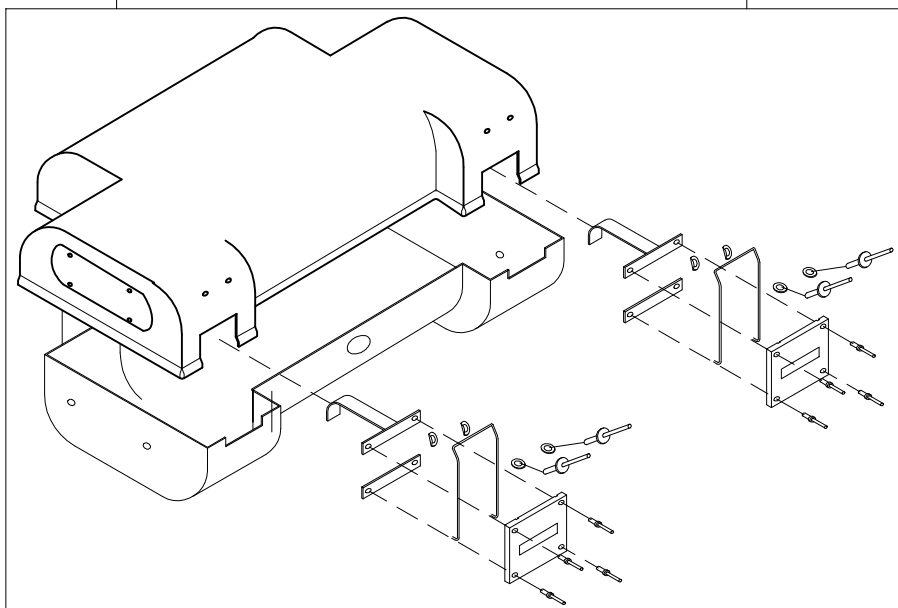
POS. PART NR. DESCRIPTION

### Spare Parts TABLE AND HANDREST

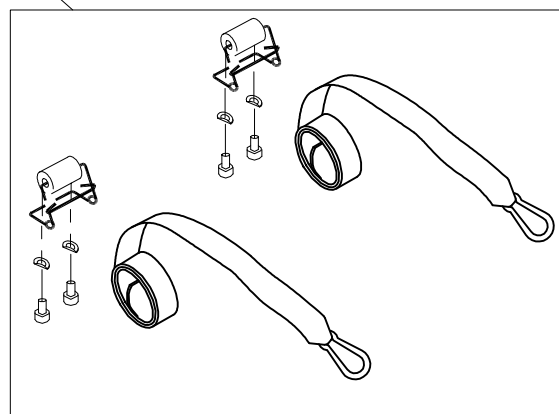
A27



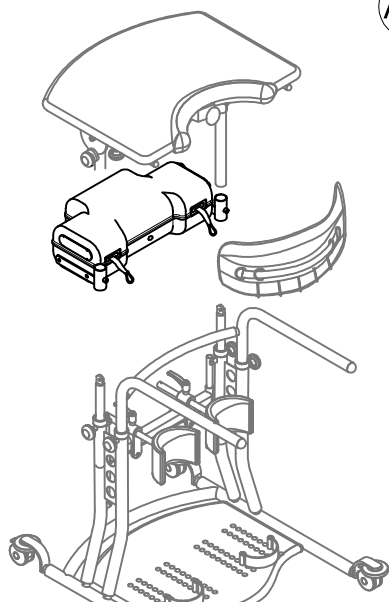
A28



A29



A30



A27	302175	DRIVE FOR PULLING BELTS STAN DY ELECTRO
A28	30342	BOX + DRIVE FOR PULLING BELTS STAN DY ELECTRO
A29	302176	RIGHT/LEFT SUPPORTS FOR ELECTRO KIT
A30	300766	PULLING BELTS KIT
POS.	PART NR.	DESCRIPTION

Spare Parts

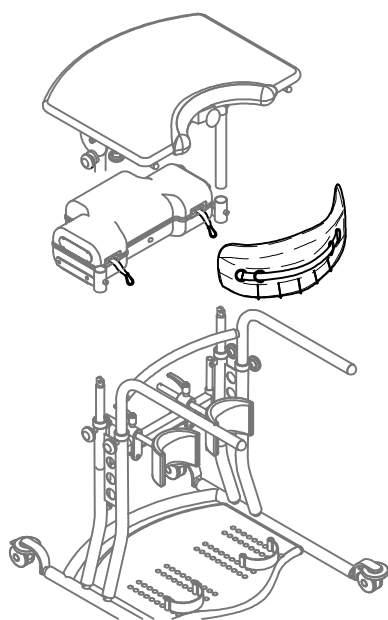
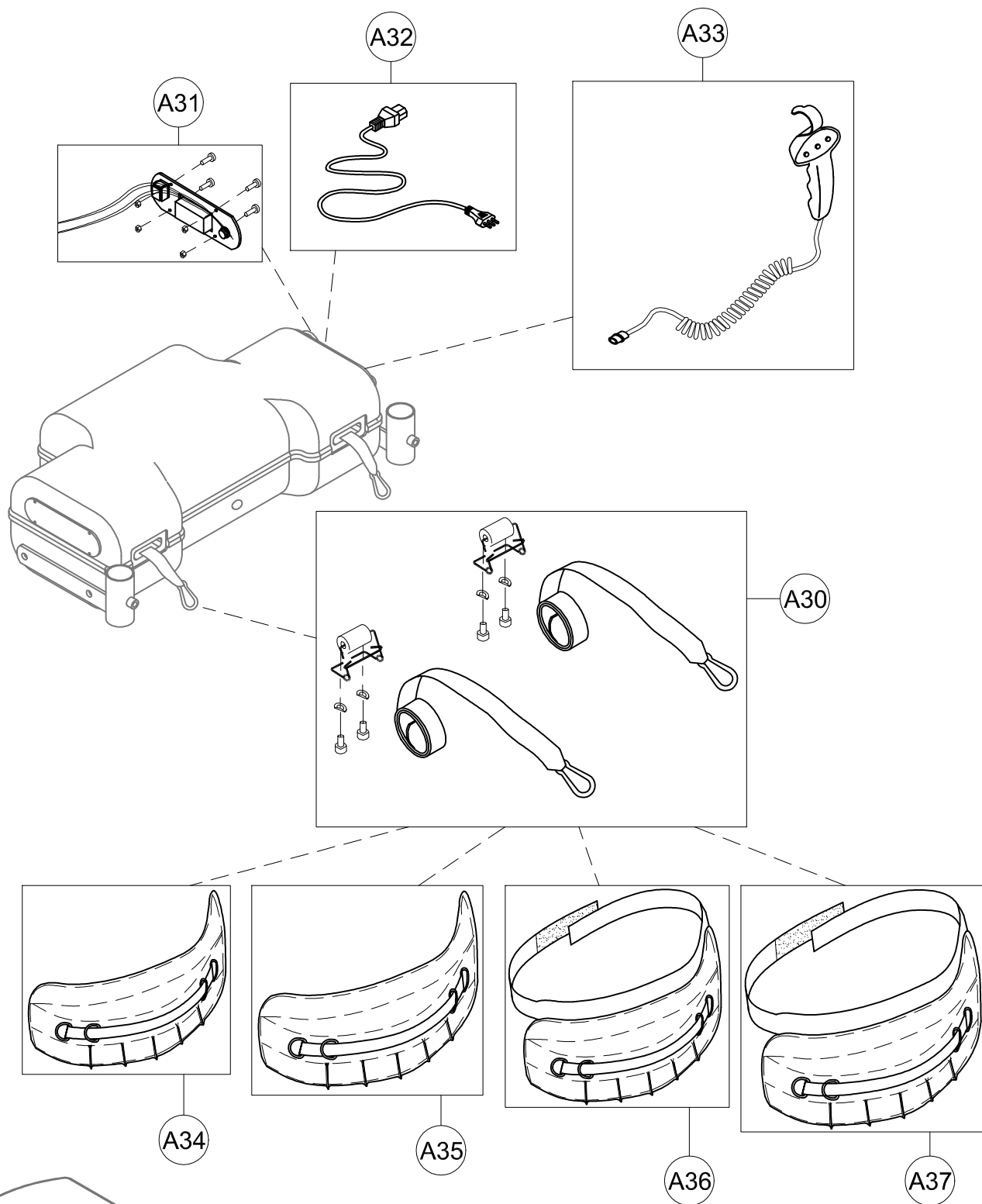
BOX AND KIT ELECTRO SUPPORT

pag. 5

**ORMESA**

Standy Electro  
**WING**

THIS DRAWING BELONGS TO ORMESA: IT IS FORBIDDEN TO REPRODUCE, CHANGE OR INFORM ANY THIRD PARTY ABOUT ITS CONTENTS



A30	300766	PULLING BELTS KIT
A31	301090	PANEL + SWITCH + FUSE + CABLES
A32	18013	POWER SUPPLY CABLE
A33	30315	PUSH BUTTON PANEL
A34	17862	STANDARD LIFTING BAND
A35	170676	907 MAXI LIFTING BAND
A36	170677	908 LIFTING BAND WITH HIP BELT
A37	170678	909 MAXI LIFTING BAND WITH HIP BELT

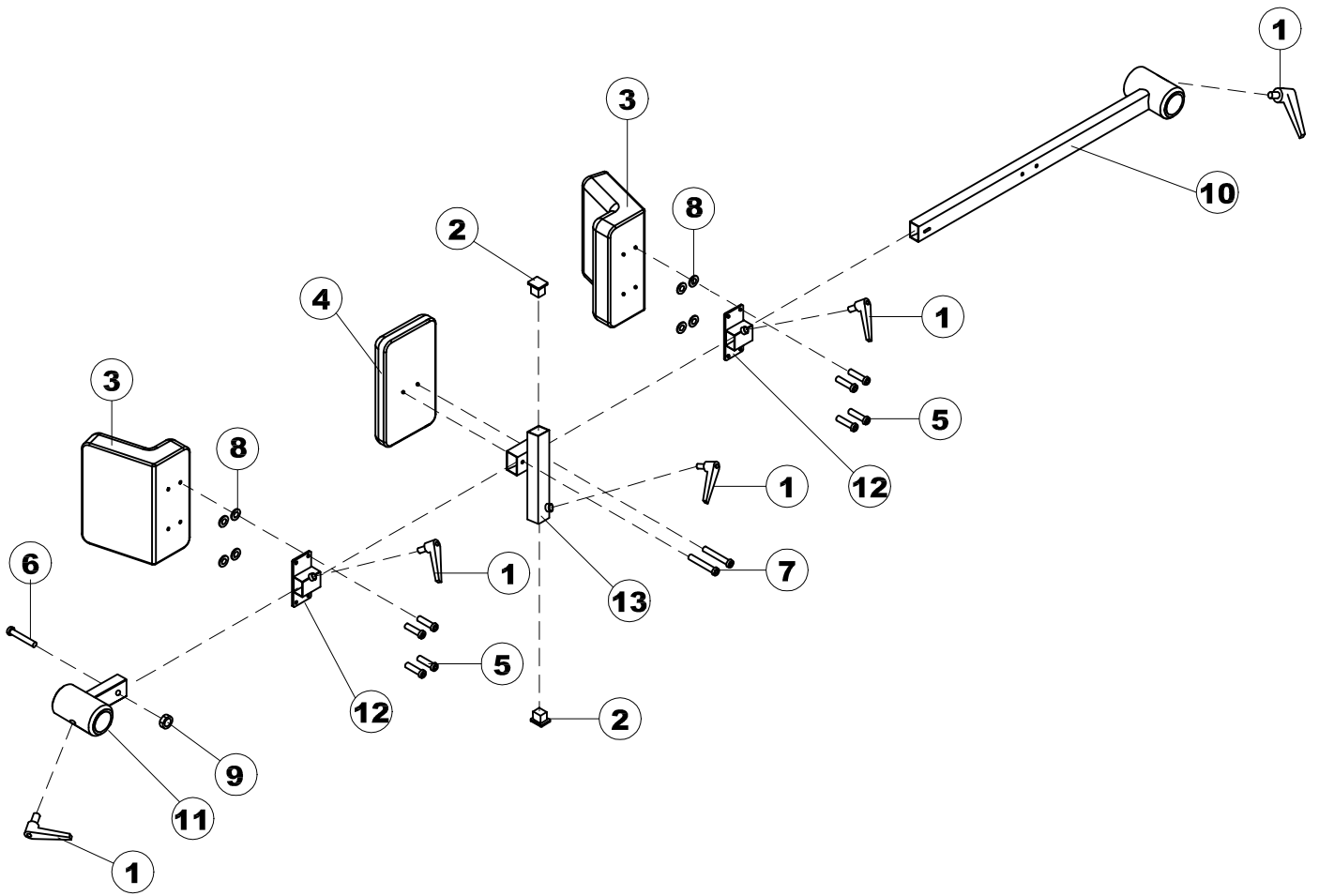
POS. PART NR. DESCRIPTION pag. 6

**Spare Parts ELECTRO KIT + LIFTING BAND**

**ORMESA**

Standy Electro  
**WING**

POS.	ARTICLE NUMBER	DESCRIPTION
1	14074	M8X16 HANDLE
2	16115	BLACK RUBBER TOP COVERHEAD 30X30
3	170921	PADDED LATERAL SUPPORT 866/867
4	170923	PADDED PELVIC SUPPORT.866/867
5	20003	SCREW 6x20 ISO 7380 10.9
6	20007	SCREW 6x40 ISO 7380 10.9
7	20009	SCREW 6x50 ISO 7380 10.9
8	20240	WASHER 6,4x12,5x1,6 M6 UNI6592
9	20287	AUTOBLOCKING NUT M6 UNI 7474 B
10	285147	PELVIC SUPPORT FRAME 866/867
11	285149	PELVIC FRAME JOINT 866/867
12	285150	FRAME FIX. SIDE PELVIC SUPPORT
13	285169	ADJUST PELVIC SUPPORT 866/867



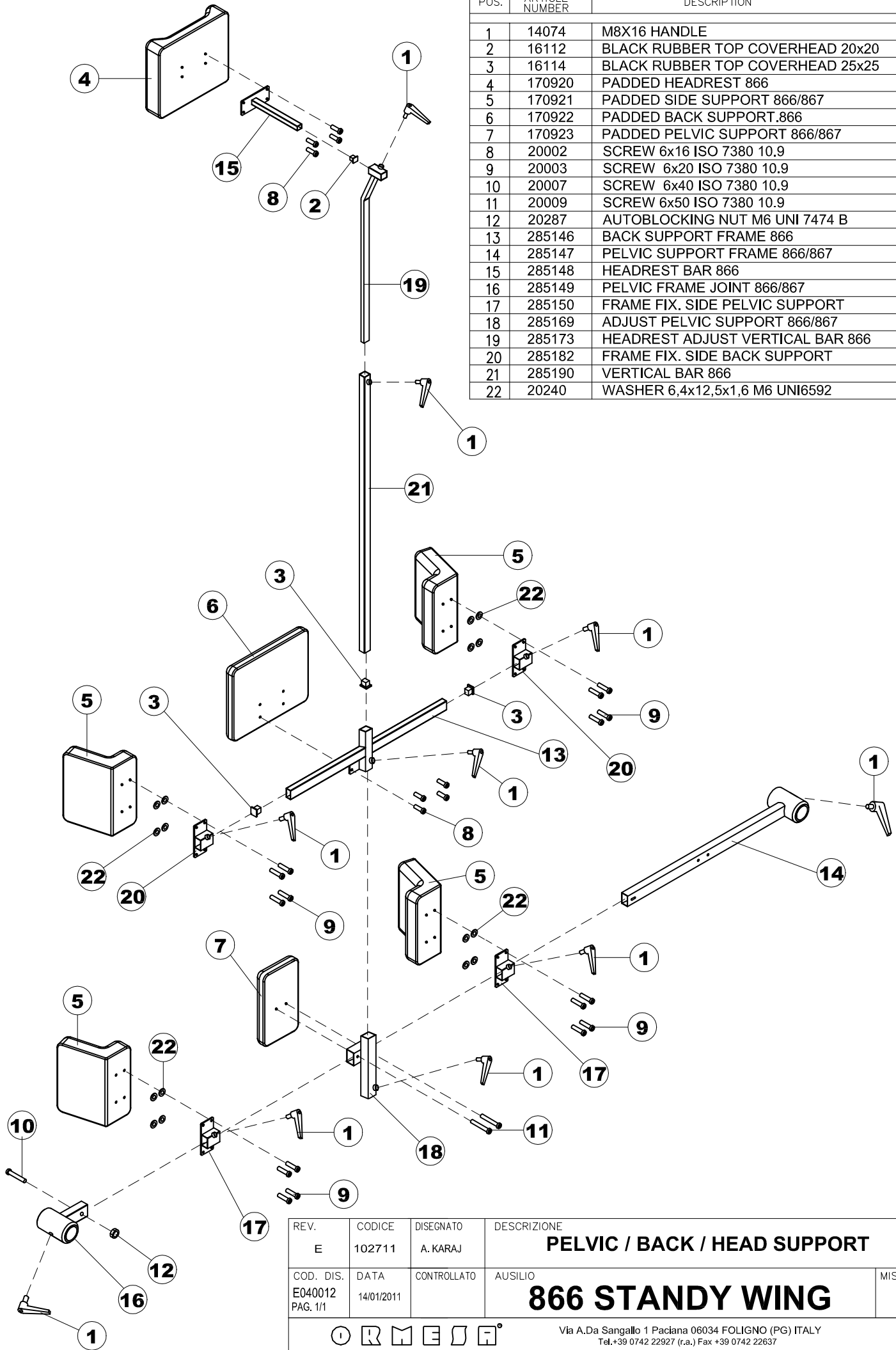
REV. E	CODICE 102710	DISEGNATO A. KARAJ	DESCRIZIONE <b>PELVIC SUPPORT</b>
COD. DIS. E040013 PAG. 1/1	DATA 14/01/2011	CONTROLLATO	AUSILIO <b>867 STANDY WING</b>
		MIS. -	



Via A.Da Sangallo 1 Paciana 06034 FOLIGNO (PG) ITALY  
Tel.+39 0742 22927 (r.a.) Fax +39 0742 22637

QUESTO DISEGNO È DI PROPRIETÀ ORMESA: È VIETATO RIPRODURNE, MODIFICARNE O COMUNICARNE A TERZI IL CONTENUTO

POS.	ARTICLE NUMBER	DESCRIPTION
1	14074	M8X16 HANDLE
2	16112	BLACK RUBBER TOP COVERHEAD 20x20
3	16114	BLACK RUBBER TOP COVERHEAD 25x25
4	170920	PADDED HEADREST 866
5	170921	PADDED SIDE SUPPORT 866/867
6	170922	PADDED BACK SUPPORT.866
7	170923	PADDED PELVIC SUPPORT 866/867
8	20002	SCREW 6x16 ISO 7380 10.9
9	20003	SCREW 6x20 ISO 7380 10.9
10	20007	SCREW 6x40 ISO 7380 10.9
11	20009	SCREW 6x50 ISO 7380 10.9
12	20287	AUTOBLOCKING NUT M6 UNI 7474 B
13	285146	BACK SUPPORT FRAME 866
14	285147	PELVIC SUPPORT FRAME 866/867
15	285148	HEADREST BAR 866
16	285149	PELVIC FRAME JOINT 866/867
17	285150	FRAME FIX. SIDE PELVIC SUPPORT
18	285169	ADJUST PELVIC SUPPORT 866/867
19	285173	HEADREST ADJUST VERTICAL BAR 866
20	285182	FRAME FIX. SIDE BACK SUPPORT
21	285190	VERTICAL BAR 866
22	20240	WASHER 6,4x12,5x1,6 M6 UNI6592



REV. E	CODICE 102711	DISEGNATO A. KARAJ	DESCRIZIONE <b>PELVIC / BACK / HEAD SUPPORT</b>	
COD. DIS. E040012 PAG. 1/1	DATA 14/01/2011	CONTROLLATO	AUSILIO <b>866 STANDY WING</b>	MIS. -
			Via A.Da Sangallo 1 Paciana 06034 FOLIGNO (PG) ITALY Tel.+39 0742 22927 (r.a.) Fax +39 0742 22637	
QUESTO DISEGNO È DI PROPRIETÀ ORMESA: È VIETATO RIPRODURNE, MODIFICARNE O COMUNICARNE A TERZI IL CONTENUTO				