

# *Spare Parts Catalogue*

---

Version: 2015/08/24e EN



*Invacare<sup>®</sup>*  
**TDX-SP2 / TDX-SP2 NB**



**Yes, you can.®**

## **General Information**

*For any order of spare parts the following information is required:*

- Product type*
- Product name & model*
- Serial Number*
- Part-Number*
- Part-Description*

*Exploded view drawings and code numbers are not contractual and subject to modification, in relation to Invacare® continuous product improvement policy to meet end users needs.*

*The reproduction or use of this work, or of any substantial part of this work, in any form or by any electronic, mechanical or other means, including photocopying, scanning and recording, and in any information storage and retrieval system, including electronic transmission, is forbidden without the prior written permission of Invacare® International Sarl.*



Yes, you can.®

## TABLE OF CONTENTS

---

### Information & User Manuals

User Manuals TDX-SP2	13
User Manuals Ultra Low Maxx Seat	14
User Manuals Shark2	15
User Manuals REM A & REM B	16
User Manuals REM24SD	17
User Manuals REM550	18
User Manuals G90	19
User Manuals G91	20
User Manuals REM34 & REM41 Tray/Centre Control	21
User Manuals IDC Dual Control	22
User Manuals Compact Dual Control	23
User Manuals ACS Handprogrammer	24
User Manual Proximity Head Remote DSL-105	25
User Manuals Headcontrol	26
User Manuals iPortal	27

### Chassis

Chassis	28
Chassis Wide Base	29
Battery Box Hardware	30
Walking Beam	31
Rear Pivot Wide Base	32
Shrouds Wide Base	33
Rear Shrouds - Wide Base	34
Bezel Shroud	35
Front Shroud - Wide Base	36
Fender	37
Rear Caps	38
Low Rider Option	39
Chassis Narrow Base	40
Battery Box Hardware	41
Walking Beam	31
Rear Pivot Narrow Base	42
Shrouds Narrow Base	43
Rear Shrouds Narrow Base	44
Bezel Shroud	35
Front Shroud Narrow Base	45
Fender	37
Rear Caps	38

### Seat

Seat	46
Modulite Seat	47
man. settable Tilt	48
powered simple Tilt 20°	49
powered Tilt 0°-30°	50
Lifter	51
One Piece Seat Plate	52
Telescopic Seat Frame and Plate	53



Yes, you can.®

## TABLE OF CONTENTS

---

Telescopic Seat Frame for man. /pow. 20° Tilt	54
Telescopic Seat Frame for Tilt 30° / Lifter	55
Armrest Bracket	56
Legrest Support	57
Seat Plate	58
Telescopic Seat Frame and Sling Seat	59
Telescopic Seat Frame for man. / pow. 20° Tilt	60
Telescopic Seat Frame for Tilt 30° / Lifter	61
Armrest Bracket	56
Legrest Support	62
Sling Seat	63
Telescopic Seat Frame and Universal Adapter	64
Telescopic Seat Frame for man. /pow. 20° Tilt	54
Telescopic Seat Frame for Tilt 30° / Lifter	55
Armrest Bracket	56
Legrest Support	57
Adapter Kit for Universal Seat	65
Seat Cushion	66
Ultra Low Maxx Seat	69
Seat Tilt	70
Seat Lifter with Tilt	71
Anterior- / Pre-Tilt	72
Seat Plates & Side Rails	73
Seat Cushions "Matrx Vi"	74
Seat Cushions "Matrx Flo-Tech"	75
Max Seat	76
man. settable Tilt	77
powered simple Tilt	78
Seat Frame and Plate	79
Seat Cushion	80

## Backrest

Backrest	81
Backrest - Modulite Seat	82
Support for Backrest Frame	83
Backrest Frame	84
Sling Back, tension adjustable	85
Backrest support	86
Backposts	87
Connection tube	88
Back Recliner / Stabilization bracket	89
Backrest Cushions	90
Flex 3 / Laguna	91
Matrx Posture Back	93
Matrx Elite T/R Back	94
Matrx Elite Deep Back	95
Matrx Elite (Full) Back	96
Backrest - Ultra Low Maxx Seat	97
Backrest Recliner	98
High Back	99
Backrest Hardware	100
Backrest Cushions	101



Yes, you can.®

## TABLE OF CONTENTS

---

Matrx Back .....	103
Backrest Hardware .....	104
Posture Back .....	105
Elite T/R Back .....	106
Elite Deep Back .....	107
Privacy Flaps .....	108
Backrest - Max Seat .....	109
Manual backrest adjustment .....	110
Powered backrest adjustment .....	111
Seat depth adapter .....	112
Backrest .....	113

### Legrests

Legrests .....	114
Legrests - Wide Base .....	115
Modulite Seat .....	116
Legrest Support, Vari series - Modulite Seat .....	117
Hanger Vari A (04/2009 =>) .....	118
Hanger Vari F .....	119
Hangers ADM LH/RH manual .....	120
Hanger Vari ADE/ADP electric (07/2005 =>) .....	121
Footrests Vari, Flip-Up (01.08.10 =>) .....	122
Footrests Vari, Flip-Up & angle adjustable (01.08.10 =>) .....	123
Footrests Vari, angle & depth adjustable .....	124
Footboard Vari, pre-assembled .....	125
Support Centr. Legrest LNX man. - Modulite Seat .....	126
Support Centr. Legrest LNX el. - Modulite Seat .....	127
Centr. Legrest man. ....	128
Centr. Legrest LNX el. ....	129
Ultra Low Maxx Seat .....	130
Central Legrests .....	131
Supports, Central Legrests .....	132
Centr. Legrest el. (LNX) .....	133
Centr. Legrest man. ....	128
Vari Legrests .....	134
Supports, Vari .....	135
Hanger Vari F .....	119
Hanger Vari A (04/2009 =>) .....	118
Hangers ADM LH/RH manual .....	120
Hanger Vari ADE/ADP electric (07/2005 =>) .....	121
Footrests Vari, Flip-Up (01.08.10 =>) .....	122
Footrests Vari, Flip-Up & angle adjustable (01.08.10 =>) .....	123
Footrests Vari, angle & depth adjustable .....	124
Pivot Plus Legrests .....	136
Cross Brace, Pivot Plus .....	137
Legrests .....	138
Max Seat .....	139
Legrest Support, Vari series - Max Seat .....	140
Hanger Vari A (04/2009 =>) .....	118
Hanger Vari F .....	119
Hangers ADM LH/RH manual .....	120
Hanger Vari ADE/ADP electric (07/2005 =>) .....	121



Yes, you can.®

## TABLE OF CONTENTS

---

Footrests Vari, Flip-Up (01.08.10 =>)	122
Footrests Vari, Flip-Up & angle adjustable (01.08.10 =>)	123
Footrests Vari, angle & depth adjustable	124
Footboard Vari, pre-assembled	125
Support Centr. Legrest man. LNX - Max Seat	141
Support Centr. Legrest LNX el. - Max Seat	142
Centr. Legrest man.	128
Centr. Legrest LNX el.	129
Fixed footboard	143
Calf plates	144
Legrests - Narrow Base	145
Modulite Seat	146
Legrest Support, Vari series - Modulite Seat	117
Hanger Vari A (04/2009 =>)	118
Hanger Vari F	119
Hangers ADM LH/RH manual	120
Hanger Vari ADE/ADP electric (07/2005 =>)	121
Footrests Vari, Flip-Up (01.08.10 =>)	122
Footrests Vari, Flip-Up & angle adjustable (01.08.10 =>)	123
Footrests Vari, angle & depth adjustable	124
Support Centr. Legrest LNX man. - Modulite Seat	126
Support Centr. Legrest LNX el. - Modulite Seat	127
Centr. Legrest man.	128
Centr. Legrest LNX el.	129
Ultra Low Maxx Seat	130
Central Legrests	131
Supports, Central Legrests	132
Centr. Legrest el. (LNX)	133
Centr. Legrest man.	128
Vari Legrests	134
Supports, Vari	135
Hanger Vari F	119
Hanger Vari A (04/2009 =>)	118
Hangers ADM LH/RH manual	120
Hanger Vari ADE/ADP electric (07/2005 =>)	121
Footrests Vari, Flip-Up (01.08.10 =>)	122
Footrests Vari, Flip-Up & angle adjustable (01.08.10 =>)	123
Footrests Vari, angle & depth adjustable	124
Pivot Plus Legrests	136
Cross Brace, Pivot Plus	137
Legrests	138

## Armrests

Armrests	147
Armrests for Modulite Seat	148
T-Armrest	149
Padded Armrest	150
Inrigged Armrest	151
Flip-Up Armrest	152
Following Armrest	153
Hip Support	154
Armrests for Ultra Low Maxx Seat	155



Yes, you can.®

## TABLE OF CONTENTS

---

Recline Flip-Up Armrest .....	156
Cantilever Flip-Up Armrest .....	157
Armpads, Desk & Full .....	158
Armpad, Ergonomic .....	159
MACES Multi Axis Armpad Holder .....	160
Hip Support .....	154
Armrests for Max Seat .....	161

### Castors

Castors .....	162
---------------	-----

### Drive Wheels

Drive Wheels 14" .....	163
Wheel Hub 5-hole .....	164

### Propulsion

Overview Propulsion SSD .....	165
Propulsion SSD - Wide Base .....	168
Propulsion SSD - Narrow Base .....	169
Wheel Hub 5-hole .....	164

### Electronic

Electronic .....	170
Electronic for Wide Base .....	171
ACS Electronic Modules .....	172
Power Modul - ACS .....	173
Bracket for Power Modul Wide Base .....	174
ACT for ACS 2 .....	175
Bracket ACT - Modulite Seat .....	176
Bracket ACT - Ultra Low Maxx Seat .....	177
Bracket ACT - Max Seat .....	178
Light Board .....	179
G-Trac-sensor .....	180
ACS Remote & Brackets .....	181
REM 24 SD with brackets .....	182
Remote REM 24SD .....	183
Remote Bracket Standard .....	184
Remote Bracket Standard - Ultra Low Maxx Seat .....	185
Remote Bracket Swing away & height adjust. .....	186
Remote Bracket Swing away & height adjust. Ultra Low Maxx Seat .....	187
Remote Bracket Attendant .....	188
Remote Bracket Attendant Ultra Low Maxx Seat .....	189
REM A & B with brackets .....	190
Remote Bracket Standard .....	184
Remote Bracket Standard - Ultra Low Maxx Seat .....	185
Remote Bracket Swing away & height adjust. .....	191
Remote Bracket Swing away & height adjust. Ultra Low Maxx Seat .....	187
Remote Bracket Attendant .....	188
Remote Bracket Attendant Ultra Low Maxx Seat .....	189
REM 550 with brackets .....	192



Yes, you can.®

## TABLE OF CONTENTS

---

Remote Bracket Standard .....	184
Remote Bracket Standard - Ultra Low Maxx Seat .....	185
Remote Bracket Swing away & height adjust. ....	186
Remote Bracket Swing away & height adjust. Ultra Low Maxx Seat .....	187
Remote Bracket Attendant .....	188
Remote Bracket Attendant Ultra Low Maxx Seat .....	189
Remote Bracket Swing away Quad Link Ultra Low Maxx Seat .....	193
REM 34 with brackets .....	194
Remote Bracket Standard .....	195
Remote Bracket Swing away & height adjust. ....	196
G90A with brackets .....	197
Remote Bracket Standard .....	198
Remote Bracket Standard Ultra Low Maxx Seat .....	199
Remote Bracket Swing away & height adjust. ....	200
Remote Bracket Swing away & height adjust. Ultra Low Maxx Seat .....	201
Remote Bracket Attendant .....	202
Remote Bracket Attendant Ultra Low Maxx Seat .....	203
G91S with brackets .....	204
Remote Bracket Standard .....	205
Centre control REM 41 .....	206
Small Chin Control with brackets .....	207
Small Chincontrol .....	208
Framework for chincontrol .....	209
Dual Control with brackets .....	210
Remote Bracket Dual Control for Modulite Seat .....	211
Remote Bracket Dual Control for Max Seat .....	212
Compact Dual Control with brackets .....	213
Compact Dual Control .....	214
Bracket, Compact Dual Control - Ultra Low Maxx Seat .....	215
Bracket, Compact Dual Control - short .....	216
Bracket, Compact Dual Control - long .....	217
Intuitive Dual Control (IDC) .....	218
Intuitive Dual Control with brackets .....	219
Intuitive Dual Control with bracket (Ultra Low Maxx Seat) .....	220
ACS Cables & Accessories .....	221
Bus-Cables ACS .....	222
Light Cable ACS .....	223
T-Adapter - Modulite & Max Seat .....	224
T-Adapter - Ultra Low Maxx Seat .....	225
Tilt Sensors - Ultra Low Maxx Seat .....	226
Programming Kits .....	227
Magnetkey for Remotes .....	228
Electronic for Narrow Base .....	229
ACS Electronic .....	230
ACS Electronic Modules .....	231
Power Modul - ACS .....	173
Bracket for Power Modul Narrow Base .....	232
ACT for ACS 2 .....	175
Bracket ACT - Modulite Seat .....	176
Bracket ACT - Ultra Low Maxx Seat .....	177
Bracket ACT at Chassis - Narrow Base .....	233
Light Board .....	234





Yes, you can.<sup>®</sup>

## TABLE OF CONTENTS

---

G-Trac-sensor .....	180
ACS Remote & Brackets .....	235
REM 24 SD with brackets .....	182
Remote REM 24SD .....	183
Remote Bracket Standard .....	184
Remote Bracket Standard - Ultra Low Maxx Seat .....	185
Remote Bracket Swing away & height adjust. ....	186
Remote Bracket Swing away & height adjust. Ultra Low Maxx Seat .....	187
Remote Bracket Attendant .....	188
Remote Bracket Attendant Ultra Low Maxx Seat .....	189
REM A & B with brackets .....	190
Remote Bracket Standard .....	184
Remote Bracket Standard - Ultra Low Maxx Seat .....	185
Remote Bracket Swing away & height adjust. ....	191
Remote Bracket Swing away & height adjust. Ultra Low Maxx Seat .....	187
Remote Bracket Attendant .....	188
Remote Bracket Attendant Ultra Low Maxx Seat .....	189
REM 550 with brackets .....	192
Remote Bracket Standard .....	184
Remote Bracket Standard - Ultra Low Maxx Seat .....	185
Remote Bracket Swing away & height adjust. ....	186
Remote Bracket Swing away & height adjust. Ultra Low Maxx Seat .....	187
Remote Bracket Attendant .....	188
Remote Bracket Attendant Ultra Low Maxx Seat .....	189
Remote Bracket Swing away Quad Link Ultra Low Maxx Seat .....	193
REM 34 with brackets .....	194
Remote Bracket Standard .....	195
Remote Bracket Swing away & height adjust. ....	196
G90A with brackets .....	197
Remote Bracket Standard .....	198
Remote Bracket Standard Ultra Low Maxx Seat .....	199
Remote Bracket Swing away & height adjust. ....	200
Remote Bracket Swing away & height adjust. Ultra Low Maxx Seat .....	201
Remote Bracket Attendant .....	202
Remote Bracket Attendant Ultra Low Maxx Seat .....	203
G91S with brackets .....	204
Remote Bracket Standard .....	205
Centre control REM 41 .....	206
Small Chin Control with brackets .....	207
Small Chincontrol .....	208
Framework for chincontrol .....	209
Dual Control with brackets - Modulite Seat .....	236
Remote Bracket Dual Control for Modulite Seat .....	211
Compact Dual Control with brackets .....	213
Compact Dual Control .....	214
Bracket, Compact Dual Control - Ultra Low Maxx Seat .....	215
Bracket, Compact Dual Control - short .....	216
Bracket, Compact Dual Control - long .....	217
Intuitive Dual Control (IDC) .....	218
Intuitive Dual Control with brackets .....	219
Intuitive Dual Control with bracket (Ultra Low Maxx Seat) .....	220
ACS Cables & Accessories .....	237



Yes, you can.®

## TABLE OF CONTENTS

---

Bus-Cables ACS	222
Light Cable ACS	223
T-Adapter - Modulite Seat	238
T-Adapter - Ultra Low Maxx Seat	225
Tilt Sensors - Ultra Low Maxx Seat	226
Programming Kits	227
Magnetkey for Remotes	228
Shark Electronic	239
Shark Electronic Modules	240
Power Modul	241
Bracket for Power Modul	242
Light Board	179
Shark Remote & Brackets	243
Remote Shark with Brackets	244
Remote Bracket Standard	184
Remote Bracket Swing away & height adjust.	191
Remote Dual Control with Brackets	245
Remote Bracket Dual Control	246
Shark Cables & Accessories	247
Bus-Cables Shark	248
Cables Shark	249
Programming Kits	227

### Batteries, Cables & Chargers

Batteries, Cables & Chargers	250
Battery, Tray & Wiring - Wide Base	251
Battery, Tray & Wiring - Wide Base	252
Battery, Tray & Wire Harness - Narrow Base	253
Chargers	254

### Safety Options & Accessories

Lightsystem	255
Lightsystem LED	256
Lightsystem german Homologation	257
Rear Light Protector Kit	258
Reflective Sign	259
Reflective Sign	260
Reflective Sign (Ultra Low Maxx Seat)	261
Adapter-Kit DAHL Docking Station - Wide Base	262
Adapter-Kit DAHL Docking Station - Narrow Base	263
Safety Belts	264
Lap Belts (Modulite Seat)	265
Lap Belt (Ultra Low Maxx)	266
Lap Belt (Max Seat)	267
H-Belts (Modulite Seat)	268
Rearview Mirror	269

### Seat Accessories

Headrests	270
Head- / Neckrest	271
Headrest sidewise adjustable	272



**Yes, you can.®**

## **TABLE OF CONTENTS**

---

Headrest with cheek support .....	273
Headrests - Ultra Low Maxx Seat .....	274
Lateral Supports .....	275
Lateral Support - Modulite Seat .....	276
Lateral Support (Dartex) .....	277
Lateral Support, extended arm (Dartex) .....	278
Lateral Support - Ultra Low Maxx Seat .....	279

### **Accessories**

Cane holder .....	280
Cane holder (Modulite: backrest frame) .....	281
Cane holder (Modulite: back posts man recliner) .....	282
Cane holder (Modulite: back posts pow recliner) .....	283
Cane holder (MAX Seat) .....	284
Trays .....	285
Trays .....	286
Trays (Ultra Low Maxx Seat) .....	288
Hour Counter .....	289
KLICKfix® bag & brackets .....	290
KLICKfix® bag .....	291
KLICKfix® bracket for T-Armrest .....	292
KLICKfix® bracket for Fixed Armrest .....	293
KLICKfix® bracket for Inrigged/Flip-Up/Following Armrest (Modulite) .....	294
T-Nuts for Accessories Modulite Seat .....	295



## User Manuals TDX-SP2

languages.io

BG	Български	FR	Français	NL	Nederlands	SV	Svenska
CS	Čeština	HE	עברית	NO	Norsk	UK	Українська
DA	Dansk	HR	Hrvatski	PL	Polski		
DE	Deutsch	HU	Magyar	PT	Português		
EN	English	IT	Italiano	RU	Русский		
ES	Español	JA	日本語	RO	Română		
ET	Eesti	LV	Latviešu	SK	Slovenčina		
FI	Suomi	LT	Lietuvių	SL	Slovenščina		

Pos.	Part number	Description	Valid from → until	Qty
	CS SP1580120	User Manual TDX-SP2 - Czech		1
	DA SP1580070	User Manual TDX-SP2 - Danish		1
	DE SP1578996	User Manual TDX-SP2 - German		1
	EN SP1578997	User Manual TDX-SP2 - English		1
	ES SP1580066	User Manual TDX-SP2 - Spanish		1
	FI SP1580069	User Manual TDX-SP2 - Finnish		1
	FR SP1580064	User Manual TDX-SP2 - French		1
	IT SP1580065	User Manual TDX-SP2 - Italian		1
	LT SP1580121	User Manual TDX-SP2 - Lithuanian		1
	NL SP1580067	User Manual TDX-SP2 - Dutch		1
	NO SP1580072	User Manual TDX-SP2 - Norwegian		1
	PL SP1580122	User Manual TDX-SP2 - Polish		1
	PT SP1580068	User Manual TDX-SP2 - Portuguese		1
	RU SP1580123	User Manual TDX-SP2 - Russian		1
	SL SP1580124	User Manual TDX-SP2 - Slovenian		1
	SV SP1580071	User Manual TDX-SP2 - Swedish		1

## User Manuals Ultra Low Maxx Seat

languages.io

BG	Български	FR	Français	NL	Nederlands	SV	Svenska
CS	Čeština	HE	עברית	NO	Norsk	UK	Українська
DA	Dansk	HR	Hrvatski	PL	Polski		
DE	Deutsch	HU	Magyar	PT	Português		
EN	English	IT	Italiano	RU	Русский		
ES	Español	JA	日本語	RO	Română		
ET	Eesti	LV	Latviešu	SK	Slovenčina		
FI	Suomi	LT	Lietuvių	SL	Slovenščina		

Pos.	Part number	Description	Valid from → until	Qty
DA	SP1585726	User Manual Ultra Low Maxx Seat - Danish		1
DE	SP1585727	User Manual Ultra Low Maxx Seat - German		1
EN	SP1585725	User Manual Ultra Low Maxx Seat - English		1
FI	SP1585728	User Manual Ultra Low Maxx Seat - Finish		1
FR	SP1585729	User Manual Ultra Low Maxx Seat - French		1
IT	SP1588266	User Manual Ultra Low Maxx Seat - Italian		1
NL	SP1585730	User Manual Ultra Low Maxx Seat - Dutch		1
NO	SP1585731	User Manual Ultra Low Maxx Seat - Norwegian		1
PT	SP1585732	User Manual Ultra Low Maxx Seat - Portuguese		1
SV	SP1585733	User Manual Ultra Low Maxx Seat - Swedish		1

## User Manuals Shark2

languages.io

BG	Български	FR	Français	NL	Nederlands	SV	Svenska
CS	Čeština	HE	עברית	NO	Norsk	UK	Українська
DA	Dansk	HR	Hrvatski	PL	Polski		
DE	Deutsch	HU	Magyar	PT	Português		
EN	English	IT	Italiano	RU	Русский		
ES	Español	JA	日本語	RO	Română		
ET	Eesti	LV	Latviešu	SK	Slovenčina		
FI	Suomi	LT	Lietuvių	SL	Slovenščina		

Pos.	Part number	Description	Valid from → until	Qty
	DE 1451346	User Manual Shark II German		1
	FR 1451347	User Manual Shark II French		1
	SV 1451348	User Manual Shark II Swedish		1
	DA 1451349	User Manual Shark II Danish		1
	NO 1451350	User Manual Shark II Norwegian		1
	NL 1451351	User Manual Shark II Dutch		1
	ES 1451352	User Manual Shark II Spanish		1
	PT 1451353	User Manual Shark II Portuguese		1
	IT 1451354	User Manual Shark II Italian		1
	FI 1451355	User Manual Shark II Finnish		1
	EN 1451356	User Manual Shark II English		1
	SL 1451584	User Manual Shark II Slovenian		1
	CS SP1533297	User Manual Shark2 CS		1
	ET SP1533298	User Manual Shark2 EE		1
	HU SP1533299	User Manual Shark2 HU		1
	LT SP1533300	User Manual Shark2 LT		1
	PL SP1533301	User Manual Shark2 PL		1
	BG SP1546061	User Manual Shark II Bulgarian		1
	RU SP1570186	User Manual Shark II Russian		1
	HR SP1574028	User Manual Shark II Croatian		1
	LV SP1576075	User Manual Shark II Latvian		1

## User Manuals REM A & REM B

languages.io

BG	Български	FR	Français	NL	Nederlands	SV	Svenska
CS	Čeština	HE	עברית	NO	Norsk	UK	Українська
DA	Dansk	HR	Hrvatski	PL	Polski		
DE	Deutsch	HU	Magyar	PT	Português		
EN	English	IT	Italiano	RU	Русский		
ES	Español	JA	日本語	RO	Română		
ET	Eesti	LV	Latviešu	SK	Slovenčina		
FI	Suomi	LT	Lietuvių	SL	Slovenščina		

Pos.	Part number	Description	Valid from → until	Qty
	DA 1529171	User Manual REM A & B Dansk		1
	DE 1529172	User Manual REM A & B German		1
	EN 1529173	User Manual REM A & B English		1
	ES 1529174	User Manual REM A & B Spanish		1
	FI 1529228	User Manual REM A & B Finsk		1
	FR 1529229	User Manual REM A & B French		1
	IT 1529230	User Manual REM A & B Italian		1
	NL 1529231	User Manual REM A & B Dutch		1
	NO 1529232	User Manual REM A & B Norsk		1
	PT 1529233	User Manual REM A & B Portuguese		1
	SV 1529234	User Manual REM A & B Swedish		1
	HR SP1533258	User Manual REM A & B Croatian		1
	CS SP1533259	User Manual REM A & B Czech		1
	ET SP1533265	User Manual REM A & B Estonian		1
	HU SP1533266	User Manual REM A & B Hungarian		1
	LT SP1533267	User Manual REM A & B Lithuanian		1
	PL SP1533268	User Manual REM A & B Polish		1
	SL SP1533269	User Manual REM A & B Slovenian		1
	RO SP1533270	User Manual REM A & B Romanian		1



## User Manuals REM24SD

languages.io

BG	Български	FR	Français	NL	Nederlands	SV	Svenska
CS	Čeština	HE	עברית	NO	Norsk	UK	Українська
DA	Dansk	HR	Hrvatski	PL	Polski		
DE	Deutsch	HU	Magyar	PT	Português		
EN	English	IT	Italiano	RU	Русский		
ES	Español	JA	日本語	RO	Română		
ET	Eesti	LV	Latviešu	SK	Slovenčina		
FI	Suomi	LT	Lietuvių	SL	Slovenščina		

Pos.	Part number	Description	Valid from → until	Qty
	DE 1436142	User Manual REM24SD German		1
	FR 1436143	User Manual REM24SD French		1
	EN 1436144	User Manual REM24SD English		1
	SV 1436145	User Manual REM24SD Swedish		1
	DA 1436146	User Manual REM24SD Danish		1
	NO 1436147	User Manual REM24SD Norwegian		1
	NL 1436148	User Manual REM24SD Dutch		1
	ES 1436149	User Manual REM24SD Spanish		1
	PT 1436150	User Manual REM24SD Portuguese		1
	IT 1436385	User Manual REM24SD Italian		1
	FI 1436386	User Manual REM24SD Finnish		1
	HR SP1533251	User Manual REM24SD Croatian		1
	CS SP1533252	User Manual REM24SD Czech		1
	ET SP1533253	User Manual REM24SD Estonian		1
	HU SP1533254	User Manual REM24SD Hungarian		1
	LT SP1533255	User Manual REM24SD Lithuanian		1
	PL SP1533256	User Manual REM24SD Polish		1
	SL SP1533257	User Manual REM24SD Slovenian		1
	LV SP1543152	User Manual REM24SD Latvian		1

## User Manuals REM550

languages.io

BG	Български	FR	Français	NL	Nederlands	SV	Svenska
CS	Čeština	HE	עברית	NO	Norsk	UK	Українська
DA	Dansk	HR	Hrvatski	PL	Polski		
DE	Deutsch	HU	Magyar	PT	Português		
EN	English	IT	Italiano	RU	Русский		
ES	Español	JA	日本語	RO	Română		
ET	Eesti	LV	Latviešu	SK	Slovenčina		
FI	Suomi	LT	Lietuvių	SL	Slovenščina		

Pos.	Part number	Description	Valid from → until	Qty
	DA 1528088	User Manual REM550 Danish		1
	DE 1528089	User Manual REM550 German		1
	EN 1528090	User Manual REM550 English		1
	ES 1528091	User Manual REM550 Spanish		1
	FI 1528092	User Manual REM550 Finsk		1
	FR 1528093	User Manual REM550 French		1
	IT 1528094	User Manual REM550 Italiano		1
	NL 1528095	User Manual REM550 Dutch		1
	NO 1528096	User Manual REM550 Norsk		1
	PT 1528097	User Manual REM550 Portuguese		1
	SV 1528098	User Manual REM550 Swedish		1
	HR SP1533279	User Manual REM550 Croatian		1
	CS SP1533280	User Manual REM551 Czech		1
	ET SP1533281	User Manual REM552 Estonian		1
	HU SP1533282	User Manual REM553 Hungarian		1
	LT SP1533283	User Manual REM554 Lithuanian		1
	PL SP1533284	User Manual REM555 Polish		1
	SL SP1533285	User Manual REM556 Slovenian		1

## User Manuals G90

languages.io

BG	Български	FR	Français	NL	Nederlands	SV	Svenska
CS	Čeština	HE	עברית	NO	Norsk	UK	Українська
DA	Dansk	HR	Hrvatski	PL	Polski		
DE	Deutsch	HU	Magyar	PT	Português		
EN	English	IT	Italiano	RU	Русский		
ES	Español	JA	日本語	RO	Română		
ET	Eesti	LV	Latviešu	SK	Slovenčina		
FI	Suomi	LT	Lietuvių	SL	Slovenščina		

Pos.	Part number	Description	Valid from → until	Qty
EN	1523674	User Manual G90 English		1

## User Manuals G91

languages.io

BG	Български	FR	Français	NL	Nederlands	SV	Svenska
CS	Čeština	HE	עברית	NO	Norsk	UK	Українська
DA	Dansk	HR	Hrvatski	PL	Polski		
DE	Deutsch	HU	Magyar	PT	Português		
EN	English	IT	Italiano	RU	Русский		
ES	Español	JA	日本語	RO	Română		
ET	Eesti	LV	Latviešu	SK	Slovenčina		
FI	Suomi	LT	Lietuvių	SL	Slovenščina		

Pos.	Part number	Description	Valid from → until	Qty
	DE 1536441	User Manual G91 German		1
	DA 1537929	User Manual G91 Danish		1
	NL 1537930	User Manual G91 Dutch		1
	EN 1537931	User Manual G91 English		1
	FI 1537932	User Manual G91 Finnish		1
	FR 1537933	User Manual G91 French		1
	IT 1537934	User Manual G91 Italian		1
	NO 1537935	User Manual G91 Norwegian		1
	PT 1537936	User Manual G91 Portuguese		1
	ES 1537937	User Manual G91 Spanish		1
	SV 1537938	User Manual G91 Swedish		1

## User Manuals REM34 & REM41 Tray/Centre Control

languages.io

BG	Български	FR	Français	NL	Nederlands	SV	Svenska
CS	Čeština	HE	עברית	NO	Norsk	UK	Українська
DA	Dansk	HR	Hrvatski	PL	Polski		
DE	Deutsch	HU	Magyar	PT	Português		
EN	English	IT	Italiano	RU	Русский		
ES	Español	JA	日本語	RO	Română		
ET	Eesti	LV	Latviešu	SK	Slovenčina		
FI	Suomi	LT	Lietuvių	SL	Slovenščina		

Pos.	Part number	Description	Valid from → until	Qty
DA	SP1538022	User Manual REM41 Tray Control Danish		1
EN	SP1538023	User Manual REM41 Tray Control English		1
ES	SP1538024	User Manual REM41 Tray Control Spanish		1
FR	SP1538025	User Manual REM41 Tray Control French		1
IT	SP1538026	User Manual REM41 Tray Control Italian		1
NL	SP1538027	User Manual REM41 Tray Control Dutch		1
NO	SP1538028	User Manual REM41 Tray Control Norwegian		1
PT	SP1538029	User Manual REM41 Tray Control Portuguese		1
SV	SP1538030	User Manual REM41 Tray Control Swedish		1
CS	SP1538031	User Manual REM41 Tray Control Czech		1
SL	SP1538032	User Manual REM41 Tray Control Slovenian		1
DE	SP1541402	User Manual REM41 Tray Control German		1

## User Manuals IDC Dual Control

languages.io

BG	Български	FR	Français	NL	Nederlands	SV	Svenska
CS	Čeština	HE	עברית	NO	Norsk	UK	Українська
DA	Dansk	HR	Hrvatski	PL	Polski		
DE	Deutsch	HU	Magyar	PT	Português		
EN	English	IT	Italiano	RU	Русский		
ES	Español	JA	日本語	RO	Română		
ET	Eesti	LV	Latviešu	SK	Slovenčina		
FI	Suomi	LT	Lietuvių	SL	Slovenščina		

Pos.	Part number	Description	Valid from → until	Qty
	DE 1521480	User Manual Dual-Control German		1
	EN 1521481	User Manual Dual-Control English		1
	FR 1521482	User Manual Dual-Control French		1
	NL 1521483	User Manual Dual-Control Dutch		1
	NO 1521484	User Manual Dual-Control Norwegian		1
	SV 1521485	User Manual Dual-Control Swedish		1
	DA 1521486	User Manual Dual-Control Danish		1
	IT 1522252	User Manual Dual-Control Italian		1
	PT 1522254	User Manual Dual-Control Portuguese		1
	ES 1522255	User Manual Dual-Control Spanish		1

## User Manuals Compact Dual Control

languages.io

BG	Български	FR	Français	NL	Nederlands	SV	Svenska
CS	Čeština	HE	עברית	NO	Norsk	UK	Українська
DA	Dansk	HR	Hrvatski	PL	Polski		
DE	Deutsch	HU	Magyar	PT	Português		
EN	English	IT	Italiano	RU	Русский		
ES	Español	JA	日本語	RO	Română		
ET	Eesti	LV	Latviešu	SK	Slovenčina		
FI	Suomi	LT	Lietuvių	SL	Slovenščina		

Pos.	Part number	Description	Valid from → until	Qty
BG	SP1589186	User Manual Compact Dual Control - Bulgarian		1
CS	SP1589313	User Manual Compact Dual Control - Czech		1
DA	SP1588488	User Manual Compact Dual Control - Danish		1
DE	SP1588489	User Manual Compact Dual Control - German		1
EN	SP1588462	User Manual Compact Dual Control - English		1
ES	SP1588496	User Manual Compact Dual Control - Spanish		1
ET	SP1589311	User Manual Compact Dual Control - Estonian		1
FI	SP1588490	User Manual Compact Dual Control - Finnish		1
FR	SP1588491	User Manual Compact Dual Control - French		1
HR	SP1589314	User Manual Compact Dual Control - Croatian		1
HU	SP1589315	User Manual Compact Dual Control - Hungarian		1
IT	SP1588492	User Manual Compact Dual Control - Italian		1
LV	SP1589317	User Manual Compact Dual Control - Latvian		1
LT	SP1589316	User Manual Compact Dual Control - Lithuanian		1
NL	SP1588493	User Manual Compact Dual Control - Dutch		1
NO	SP1588494	User Manual Compact Dual Control - Norwegian		1
PL	SP1589318	User Manual Compact Dual Control - Polish		1
PT	SP1588495	User Manual Compact Dual Control - Portuguese		1
RU	SP1589320	User Manual Compact Dual Control - Russian		1
RO	SP1589319	User Manual Compact Dual Control - Romanian		1
SK	SP1589321	User Manual Compact Dual Control - Slovak		1
SL	SP1589322	User Manual Compact Dual Control - Slovenian		1
SV	SP1588497	User Manual Compact Dual Control - Swedish		1
UK	SP1589323	User Manual Compact Dual Control - Ukrainian		1

## User Manuals ACS Handprogrammer

languages.io

BG	Български	FR	Français	NL	Nederlands	SV	Svenska
CS	Čeština	HE	עברית	NO	Norsk	UK	Українська
DA	Dansk	HR	Hrvatski	PL	Polski		
DE	Deutsch	HU	Magyar	PT	Português		
EN	English	IT	Italiano	RU	Русский		
ES	Español	JA	日本語	RO	Română		
ET	Eesti	LV	Latviešu	SK	Slovenčina		
FI	Suomi	LT	Lietuvių	SL	Slovenščina		

Pos.	Part number	Description	Valid from → until	Qty
DE	1419316	User Manual Handheld Programmer German		1
EN	1419317	User Manual Handheld Programmer English		1



# User Manual Proximity Head Remote DSL-105

languages.io

BG	Български	FR	Français	NL	Nederlands	SV	Svenska
CS	Čeština	HE	עברית	NO	Norsk	UK	Українська
DA	Dansk	HR	Hrvatski	PL	Polski		
DE	Deutsch	HU	Magyar	PT	Português		
EN	English	IT	Italiano	RU	Русский		
ES	Español	JA	日本語	RO	Română		
ET	Eesti	LV	Latviešu	SK	Slovenčina		
FI	Suomi	LT	Lietuvių	SL	Slovenščina		

Pos.	Part number	Description	Valid from → until	Qty
EN	SP1555731	User Manual Proximity Head Remote DSL-105 English		1
DE	SP1555732	User Manual Proximity Head Remote DSL-105 German		1
FR	SP1555733	User Manual Proximity Head Remote DSL-105 French		1
DA	SP1555839	User Manual Proximity Head Remote DSL-105 Danish		1
ES	SP1555840	User Manual Proximity Head Remote DSL-105 Spanish		1
FI	SP1555841	User Manual Proximity Head Remote DSL-105 Finnish		1
IT	SP1555842	User Manual Proximity Head Remote DSL-105 Italian		1
NL	SP1555843	User Manual Proximity Head Remote DSL-105 Dutch		1
NO	SP1555844	User Manual Proximity Head Remote DSL-105 Norwegian		1
PT	SP1555845	User Manual Proximity Head Remote DSL-105 Portuguese		1
SV	SP1555846	User Manual Proximity Head Remote DSL-105 Swedish		1

## User Manuals Headcontrol

languages.io

BG	Български	FR	Français	NL	Nederlands	SV	Svenska
CS	Čeština	HE	עברית	NO	Norsk	UK	Українська
DA	Dansk	HR	Hrvatski	PL	Polski		
DE	Deutsch	HU	Magyar	PT	Português		
EN	English	IT	Italiano	RU	Русский		
ES	Español	JA	日本語	RO	Română		
ET	Eesti	LV	Latviešu	SK	Slovenčina		
FI	Suomi	LT	Lietuvių	SL	Slovenščina		

Pos.	Part number	Description	Valid from → until	Qty
DE	SP1493028	User Manual Headrest Headset German		1
EN	SP1493029	User Manual Headrest Headset English		1
NL	SP1493030	User Manual Headrest Headset Dutch		1

## User Manuals iPortal

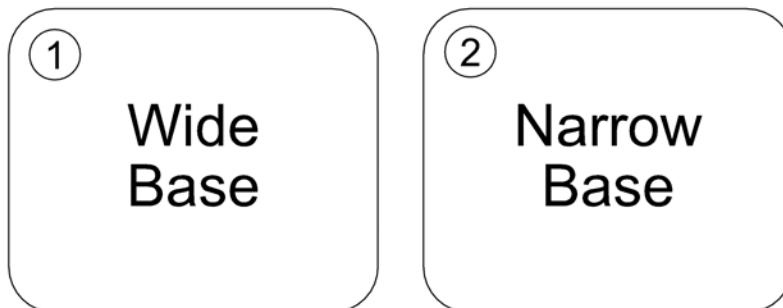
languages.io

BG	Български	FR	Français	NL	Nederlands	SV	Svenska
CS	Čeština	HE	עברית	NO	Norsk	UK	Українська
DA	Dansk	HR	Hrvatski	PL	Polski		
DE	Deutsch	HU	Magyar	PT	Português		
EN	English	IT	Italiano	RU	Русский		
ES	Español	JA	日本語	RO	Română		
ET	Eesti	LV	Latviešu	SK	Slovenčina		
FI	Suomi	LT	Lietuvių	SL	Slovenščina		

Pos.	Part number	Description	Valid from → until	Qty
EN	SP1548231	User Manual iPortal english		1
DA	SP1552493	User Manual iPortal danisch		1
FR	SP1552494	User Manual iPortal french		1
FI	SP1552512	User Manual iPortal finnish		1
NO	SP1552513	User Manual iPortal norwegian		1
SV	SP1552533	User Manual iPortal swedish		1
IT	SP1552534	User Manual iPortal Italian		1
DE	SP1552535	User Manual iPortal german		1
SL	SP1552703	User Manual iPortal slovenian		1
NL	SP1559807	User Manual iPortal Dutch		1
PT	SP1567967	User Manual iPortal Portuguese		1
ES	SP1568026	User Manual iPortal Spanish		1

# Chassis

SPCTDX\_SP210.iso

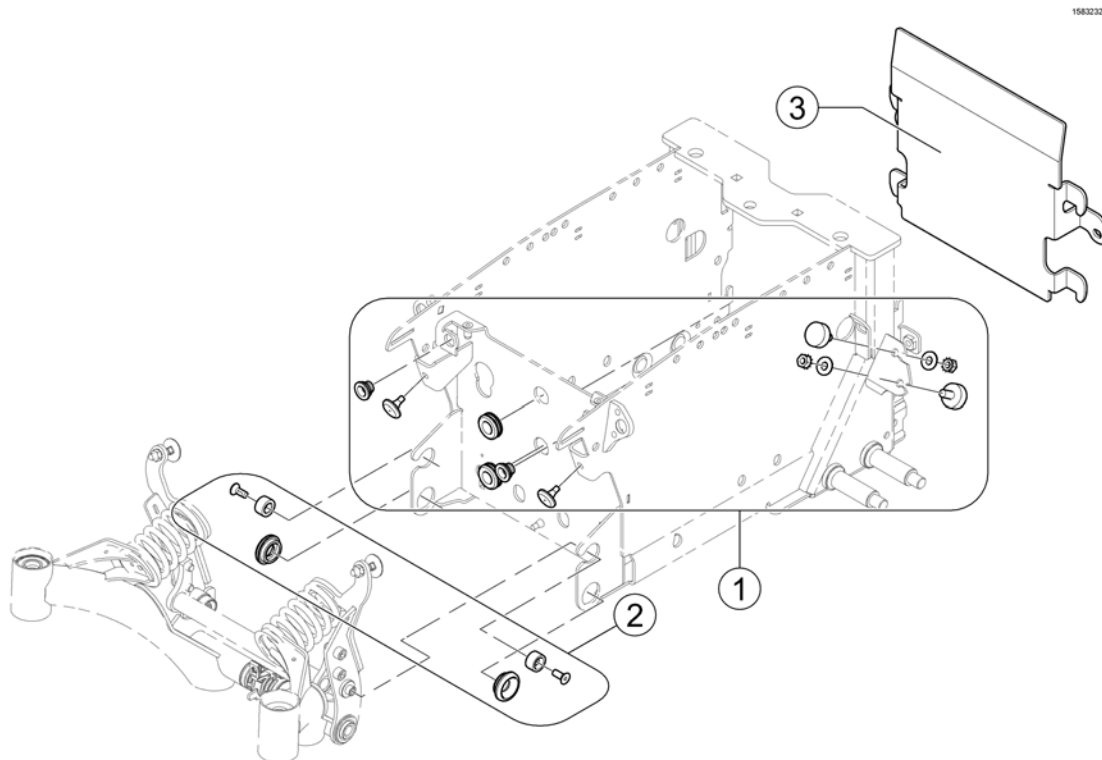


Pos.	Part number	Description	Valid from → until	Qty
1	-	Chassis Wide Base		1
2	-	Chassis Narrow Base		1

**Chassis Wide Base**

Pos.	Part number	Description	Valid from → until	Qty
-		Battery Box Hardware		1
-		Walking Beam		1
-		Rear Pivot Wide Base		1
-		Shrouds Wide Base		1
-		Low Rider Option		1

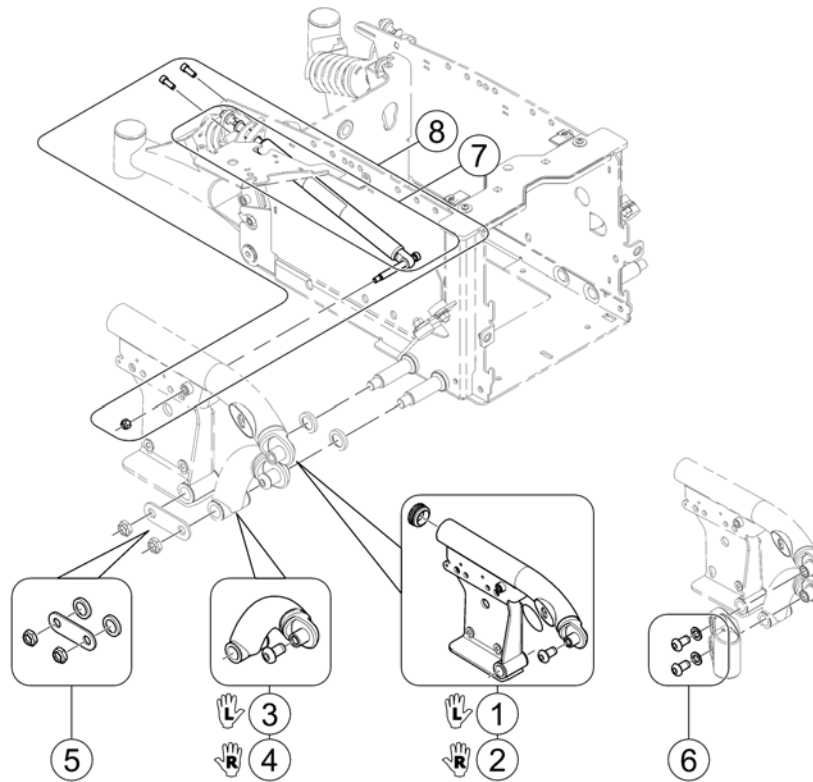
# Battery Box Hardware



Pos.	Part number	Description	Valid from → until	Qty
1	SP1523179	Kit, Battery Box, Rubber Bumper & Grommet Hardware		1
2	SP1523193	Kit, Rear Pivot Assembly Mounting Hardware		1
3	SPTRX8891	Recessed Battery door for Anterior Tilt mounted Ultra Low Maxx Seat		1

# Walking Beam

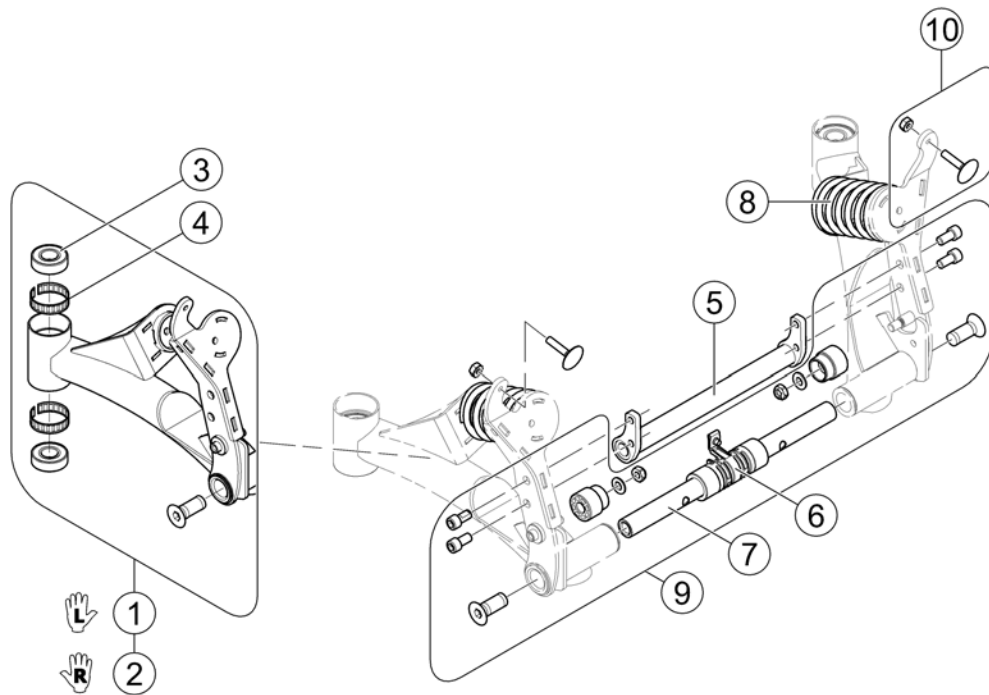
1583259.000



Pos.	Part number	Description	Valid from → until	Qty
1	SP1179092	Kit, Walking Beam Assy Black, SSD LH		1
2	SP1179091	Kit, Walking Beam Assy Black, SSD RH		1
3	SP1178814	Link Assy, Lower Pivot Black LH		1
4	SP1178813	No description available.		1
5	SP1523168	Kit, Lower Pivot Link / 4-Pole Motor Mounting Hardware		1
6	SP1523176	Kit, Front Head Tube Mounting Hardware		1
7	SP1523158	Cylinder, Locking Gas (400 Lb. User Weight Limit)		1
8	SP1179253	Kit, Locking Gas Cylinder & Mounting Hardware		1

# Rear Pivot Wide Base

1543285 Rev

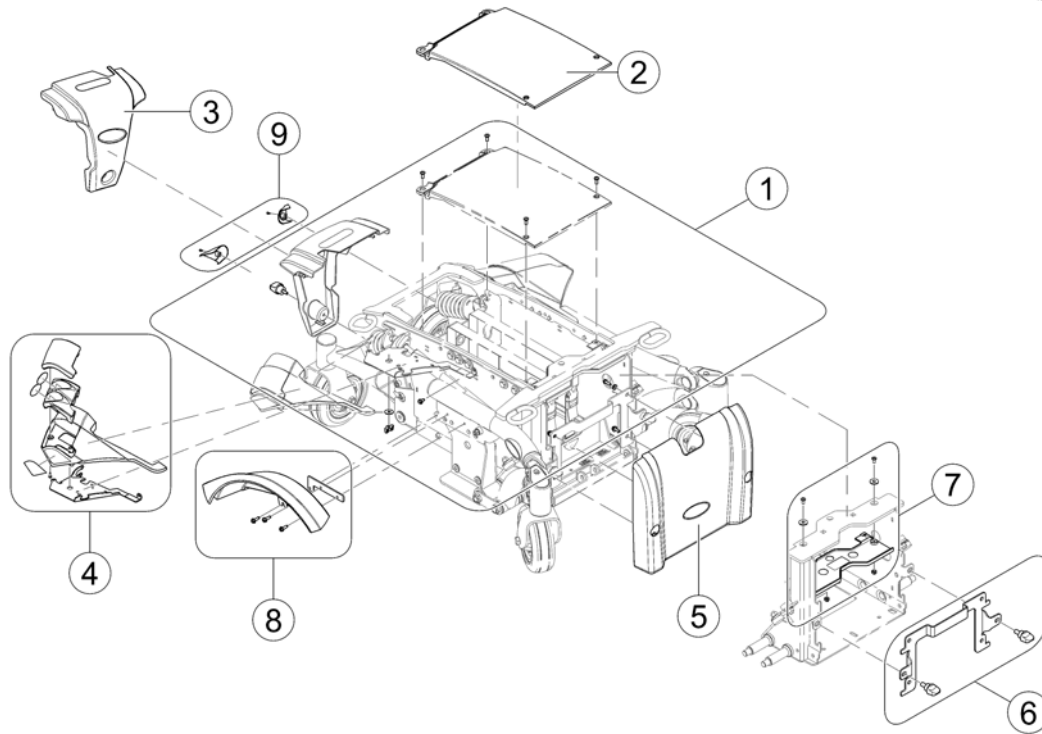


Pos.	Part number	Description	Valid from → until	Qty
1	SP1179094	Kit, Rear Swing Arm Assy w/ Hardware, black, LH		1
2	SP1179093	Kit, Rear Swing Arm Assy w/ Hardware, black, RH		1
3	SP40117X006	Bearing (5/8 ")		1
4	SP1110717	Ring, Tolerance		1
5	SP1176365	Crossmember, Pivot, black, Widebase		1
6	SP1523166	Bushing Assembly, Center		1
7	SP1155020	Bar, Pivot - Wide Base		1
8	SP1579643	Spring - silver		1
9	SP1523177	Kit, Pivot Assembly Hardware		1
10	SP1151949	Kit, Elevator Bolt w/ Keps Nut (1/4-20)		1



**Shrouds Wide Base**

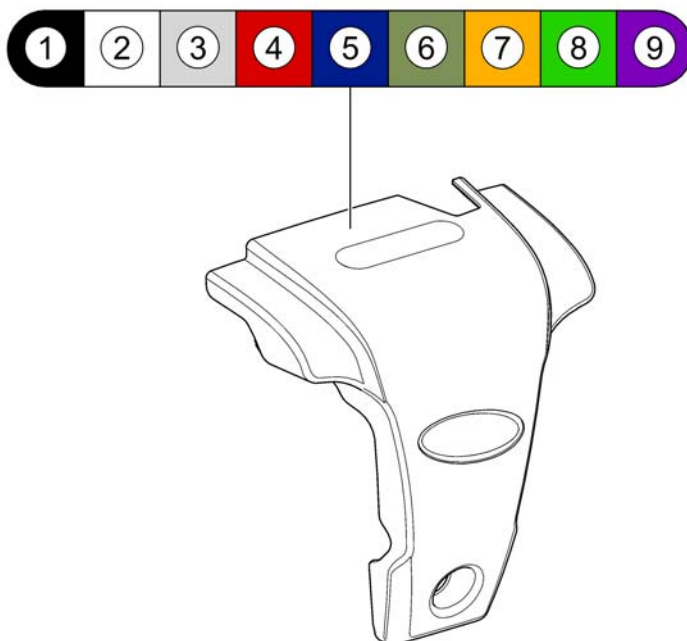
1583238.00



Pos.	Part number	Description	Valid from → until	Qty
1	SP1179326	Kit, Shroud Hardware		1
2	SP1174636	Shroud, Center, black - Wide Base		1
3	-	Rear Shrouds - Wide Base		1
4	-	Bezel Shroud		1
5	-	Front Shroud - Wide Base		1
6	SP1179898	Front Shroud, Bracket & Hardware - Wide Base		1
7	SP1179739	Isolation Shroud Assy - Wide Base		1
8	-	Fender		1
9	-	Rear Caps		1

## Rear Shrouds - Wide Base

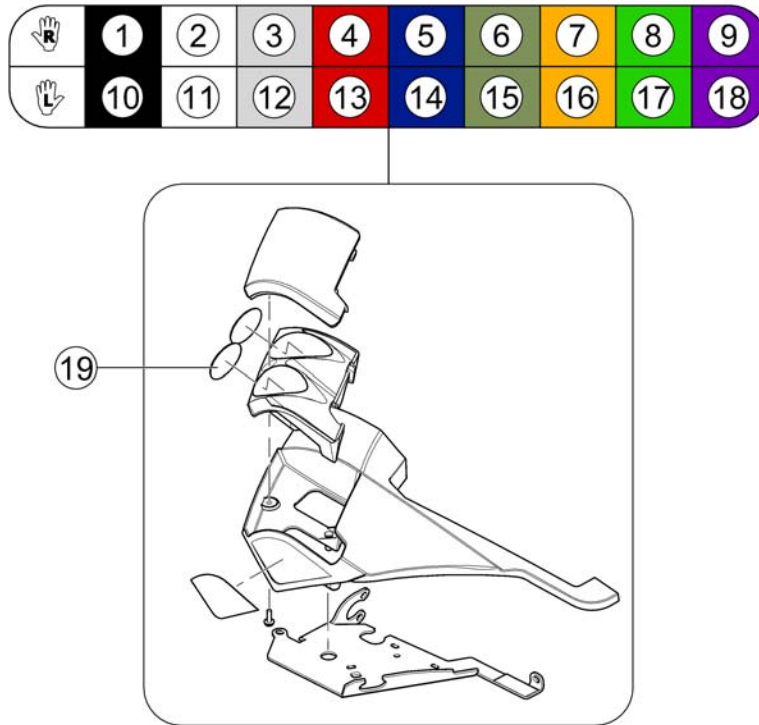
1583254 rev



Pos.	Part number	Description	Valid from → until	Qty
1	SP1176568	Rear Shroud, Wet Black		1
2	SP1176569	Rear Shroud, Arctic White		1
3	SP1176570	Rear Shroud, Electric Silver		1
4	SP1176571	Rear Shroud, Electric Red		1
5	SP1176572	Rear Shroud, Electric Blue		1
6	SP1176573	Rear Shroud, Aviator Green	→ 2015-06-30	1
7	SP1176574	Rear Shroud, Desert Orange	→ 2015-06-30	1
8	SP1588787	Rear Shroud, Jade Green	2015-07-01 →	1
9	SP1588850	Rear Shroud, Transparent Purple	2015-07-01 →	1

# Bezel Shroud

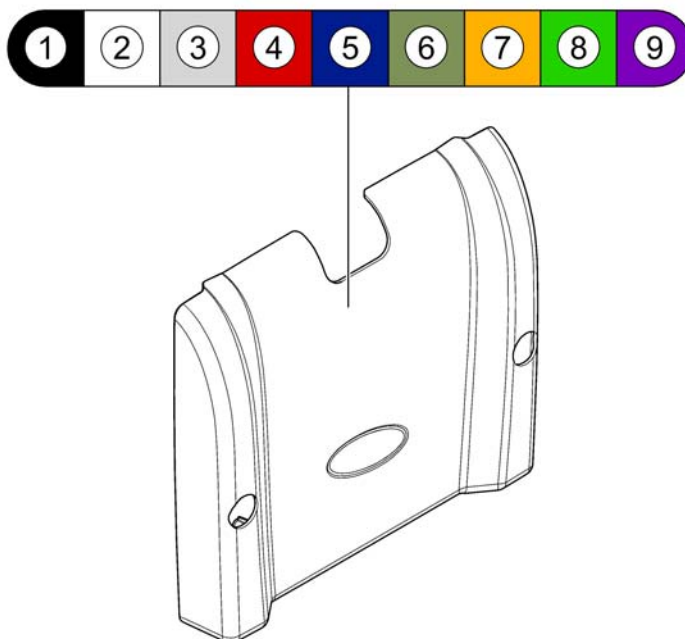
1583296 Rev



Pos.	Part number	Description	Valid from → until	Qty
1	SP1179237	Coloured Bezel Shroud RH w/ Mount Wet Black		1
2	SP1179238	Coloured Bezel Shroud RH w/ Mount Artic White		1
3	SP1179239	Coloured Bezel Shroud RH w/ Mount Electric Silver		1
4	SP1179240	Coloured Bezel Shroud RH w/ Mount Electric Red		1
5	SP1179241	Coloured Bezel Shroud RH w/ Mount Electric Blue		1
6	SP1179242	Coloured Bezel Shroud RH w/ Mount Aviator Green	→ 2015-06-30	1
7	SP1179243	Coloured Bezel Shroud RH w/ Mount Desert Orange	→ 2015-06-30	1
8	SP1588779	Coloured Bezel Shroud RH w/ Mount Jade Green	2015-07-01 →	1
9	SP1588780	Coloured Bezel Shroud RH w/ Mount Transparent Purple	2015-07-01 →	1
10	SP1179244	Coloured Bezel Shroud LH w/ Mount Wet Black		1
11	SP1179245	Coloured Bezel Shroud LH w/ Mount Artic White		1
12	SP1179246	Coloured Bezel Shroud LH w/ Mount Electric Silver		1
13	SP1179247	Coloured Bezel Shroud LH w/ Mount Electric Red		1
14	SP1179248	Coloured Bezel Shroud LH w/ Mount Electric Blue		1
15	SP1179249	Coloured Bezel Shroud LH w/ Mount Aviator Green	→ 2015-06-30	1
16	SP1179250	Coloured Bezel Shroud LH w/ Mount Desert Orange	→ 2015-06-30	1
17	SP1588781	Coloured Bezel Shroud LH w/ Mount Jade Green	2015-07-01 →	1
18	SP1588782	Coloured Bezel Shroud LH w/ Mount Transparent Purple	2015-07-01 →	1
19	SP1540286	Reflector-Kit (4pcs), red, Dia. 28mm		1

## Front Shroud - Wide Base

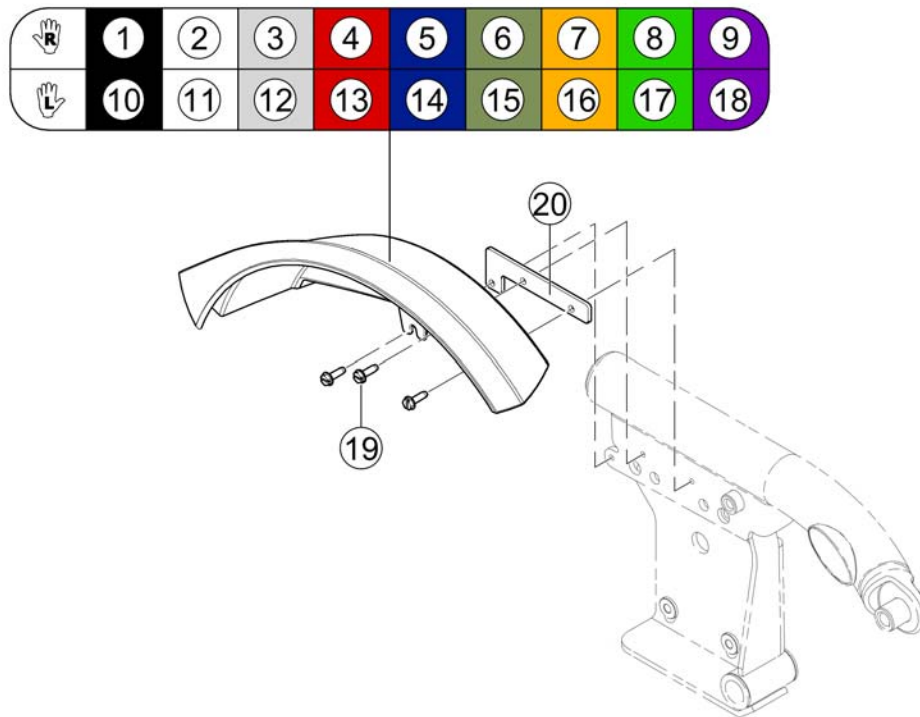
1583258.iss



Pos.	Part number	Description	Valid from → until	Qty
1	SP1179717	Front Shroud Assy, Wet Black		1
2	SP1189505	Front Shroud Assy, Artic White		1
3	SP1189506	Front Shroud Assy, Electric Silver		1
4	SP1179718	Front Shroud Assy, Electric Red		1
5	SP1189507	Front Shroud Assy, Electric Blue		1
6	SP1179719	Front Shroud Assy, Aviator Green	→ 2015-06-30	1
7	SP1189508	Front Shroud Assy, Desert Orange	→ 2015-06-30	1
8	SP1588784	Front Shroud Assy, Jade Green	2015-07-01 →	1
9	SP1588786	Front Shroud Assy, Transparent Purple	2015-07-01 →	1

# Fender

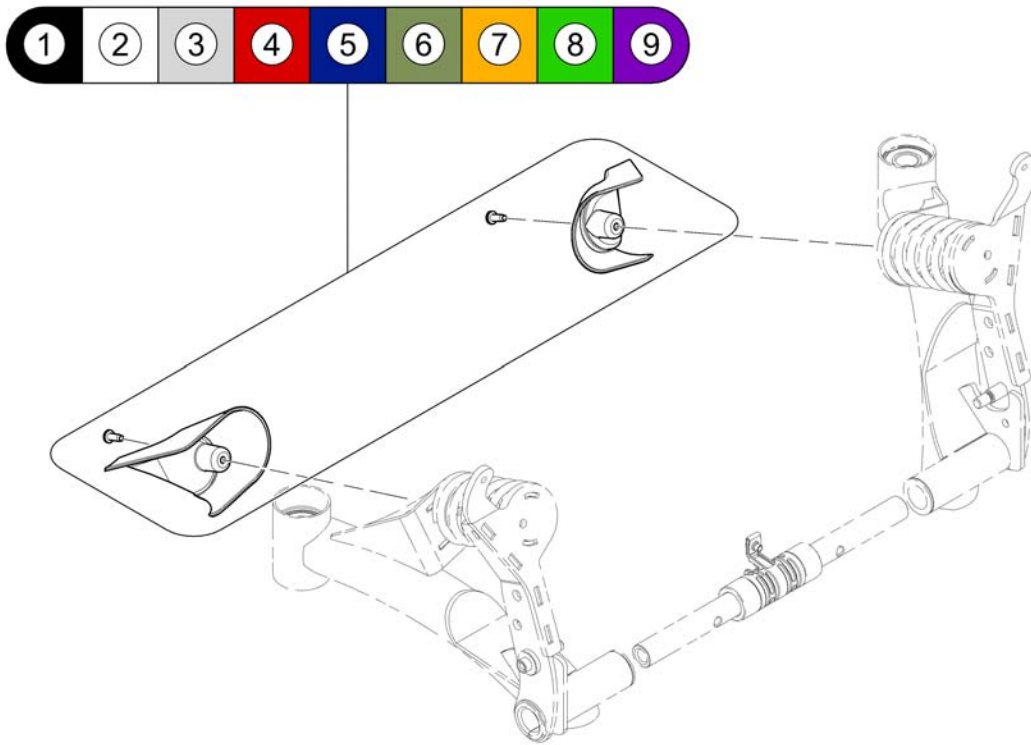
1583236 Rev



Pos.	Part number	Description	Valid from → until	Qty
1	SP1176696	Fender Shroud Assy, Wet Black, RH		1
2	SP1176697	Fender Shroud Assy, Artic White, RH		1
3	SP1176698	Fender Shroud Assy, Electric Silver, RH		1
4	SP1176699	Fender Shroud Assy, Electric Red, RH		1
5	SP1176700	Fender Shroud Assy, Electric Blue, RH		1
6	SP1176701	Fender Shroud Assy, Aviator Green, RH	→ 2015-06-30	1
7	SP1176702	Fender Shroud Assy, Desert Orange, RH	→ 2015-06-30	1
8	SP1588737	Fender Shroud Assy, Jade Green, RH	2015-07-01 →	1
9	SP1588738	Fender Shroud Assy, Transparent Purple, RH	2015-07-01 →	1
10	SP1176703	Fender Shroud Assy, Wet Black, LH		1
11	SP1176704	Fender Shroud Assy, Artic White, LH		1
12	SP1176705	Fender Shroud Assy, Electric Silver, LH		1
13	SP1176706	Fender Shroud Assy, Electric Red, LH		1
14	SP1176707	Fender Shroud Assy, Electric Blue, LH		1
15	SP1176708	Fender Shroud Assy, Aviator Green, LH	→ 2015-06-30	1
16	SP1176709	Fender Shroud Assy, Desert Orange, LH	→ 2015-06-30	1
17	SP1588739	Fender Shroud Assy, Jade Green, LH	2015-07-01 →	1
18	SP1588740	Fender Shroud Assy, Transparent Purple, LH	2015-07-01 →	1
19	SP1025451	Act.Tech Screw HexHead10-32		3
20	SP1179913	Spacer, Shroud, Black		1

# Rear Caps

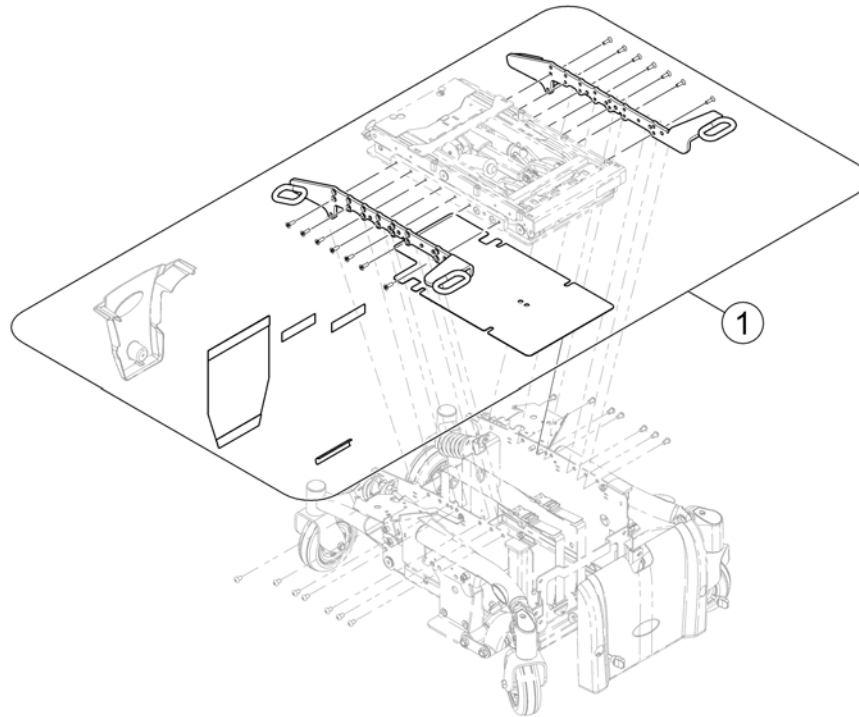
1583287 Rev



Pos.	Part number	Description	Valid from → until	Qty
1	SP1179084	Kit, Coloured Rear Caps w/ Mount Wet Black		1
2	SP1179085	Kit, Coloured Rear Caps w/ Mount Artic White		1
3	SP1179086	Kit, Coloured Rear Caps w/ Mount Electric Silver		1
4	SP1179087	Kit, Coloured Rear Caps w/ Mount Electric Red		1
5	SP1179088	Kit, Coloured Rear Caps w/ Mount Electric Blue		1
6	SP1179089	Kit, Coloured Rear Caps w/ Mount Aviator Green	→ 2015-06-30	1
7	SP1179090	Kit, Coloured Rear Caps w/ Mount Desert Orange	→ 2015-06-30	1
8	SP1588741	Kit, Coloured Rear Caps w/ Mount Jade Green	2015-07-01 →	1
9	SP1588778	Kit, Coloured Rear Caps w/ Mount Transparent Purple	2015-07-01 →	1

# Low Rider Option

1587261 Rev



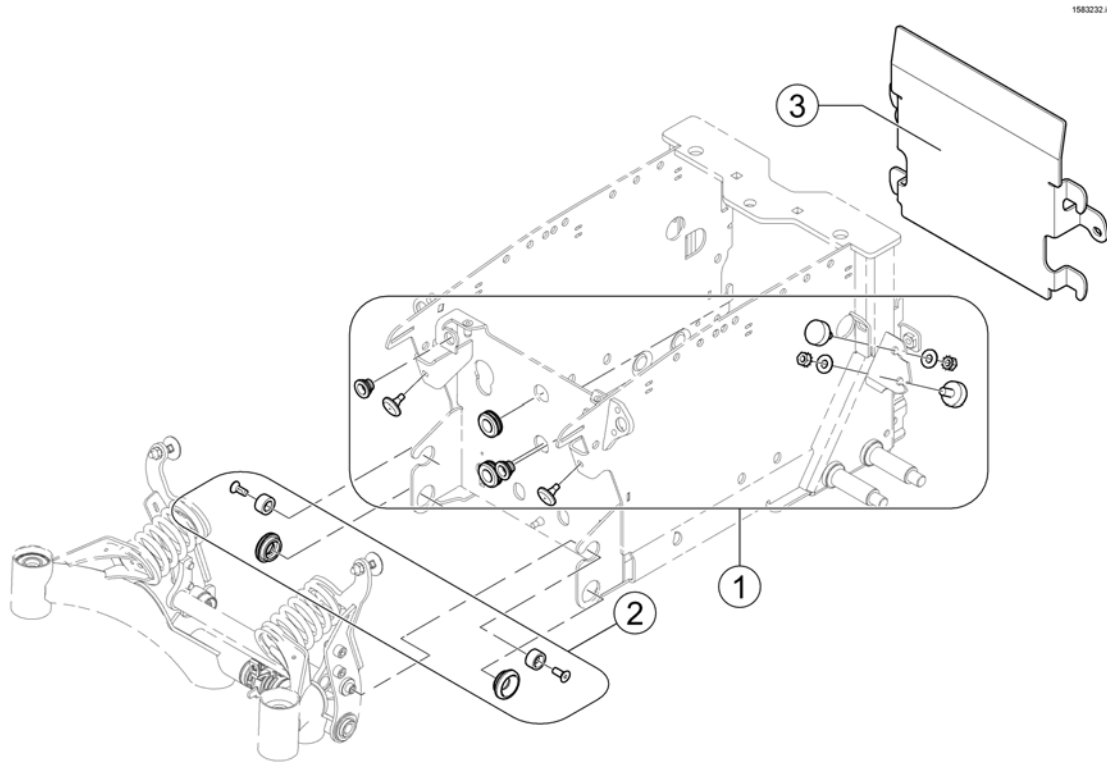
Pos.	Part number	Description	Valid from → until	Qty
-		The Low Rider Kit may not be used for retrofitting! !!!		0
1	SP1587260	Low Rider Kit		1

## Chassis Narrow Base

Pos.	Part number	Description	Valid from → until	Qty
-		Battery Box Hardware		0
-		Walking Beam		1
-		Rear Pivot Narrow Base		1
-		Shrouds Narrow Base		1



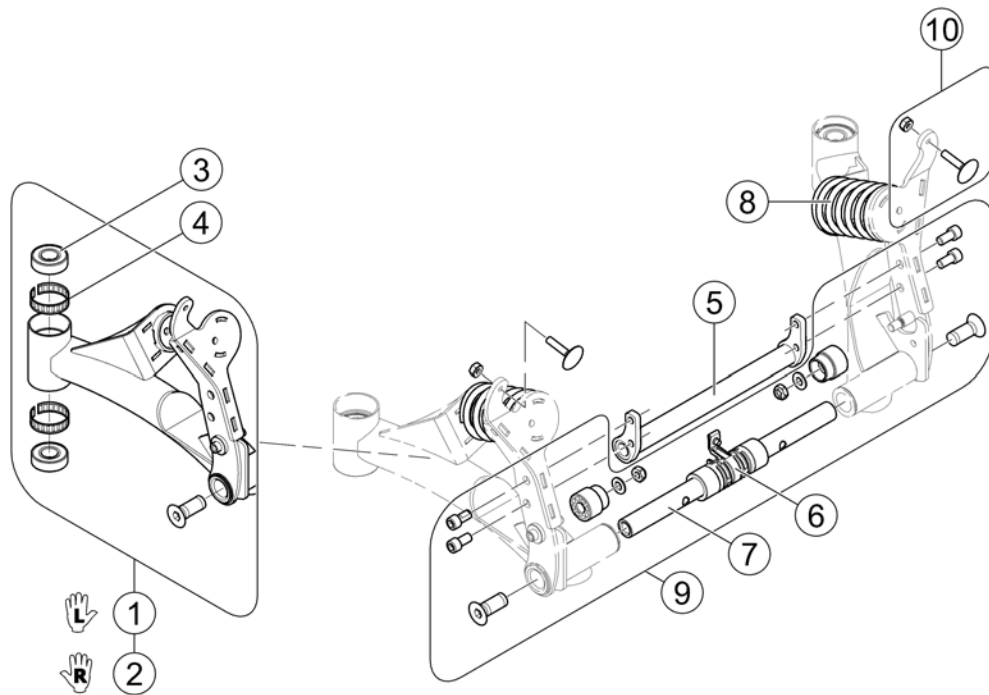
## Battery Box Hardware



Pos.	Part number	Description	Valid from → until	Qty
1	SP1523179	Kit, Battery Box, Rubber Bumper & Grommet Hardware		1
2	SP1523193	Kit, Rear Pivot Assembly Mounting Hardware		1
3	SPTRX8890	Recessed Battery door for Anterior Tilt mounted Ultra Low Maxx Seat		1

## Rear Pivot Narrow Base

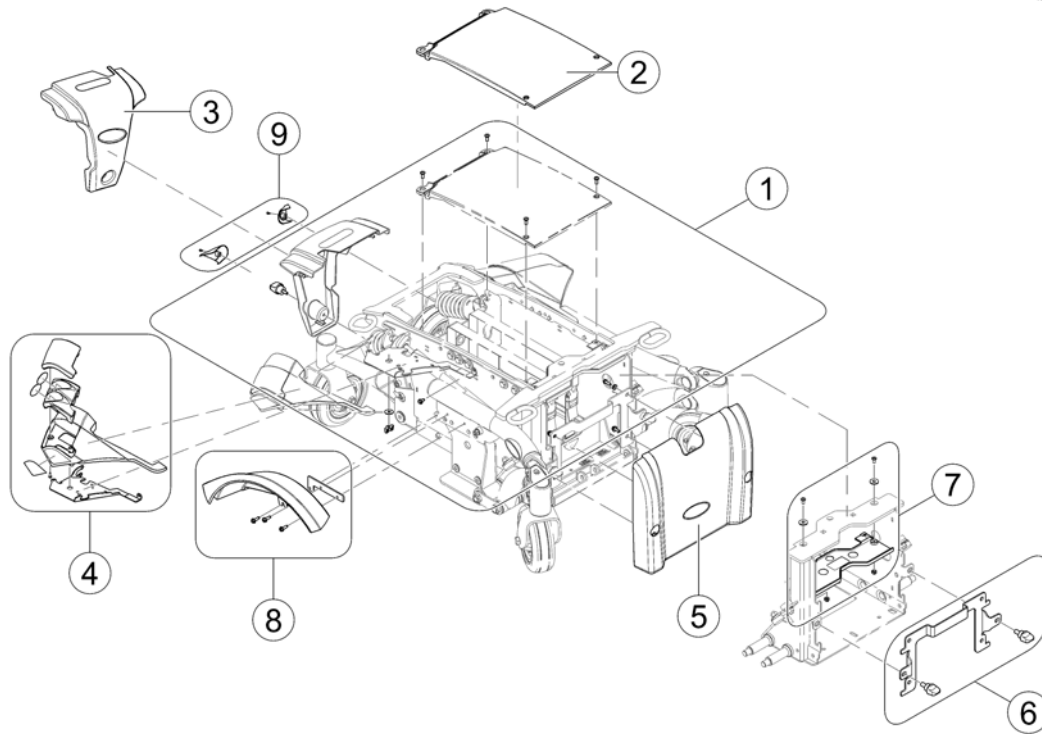
1543285.000



Pos.	Part number	Description	Valid from → until	Qty
1	SP1179094	Kit, Rear Swing Arm Assy w/ Hardware, black, LH		1
2	SP1179093	Kit, Rear Swing Arm Assy w/ Hardware, black, RH		1
3	SP40117X006	Bearing (5/8 ")		1
4	SP1110717	Ring, Tolerance		1
5	SP1176604	Crossmember, Pivot, black - Narrow Base		1
6	SP1523166	Bushing Assembly, Center		1
7	SP1155018	No description available.		1
8	SP1579643	Spring - silver		1
9	SP1523177	Kit, Pivot Assembly Hardware		1
10	SP1151949	Kit, Elevator Bolt w/ Keps Nut (1/4-20)		1

## Shrouds Narrow Base

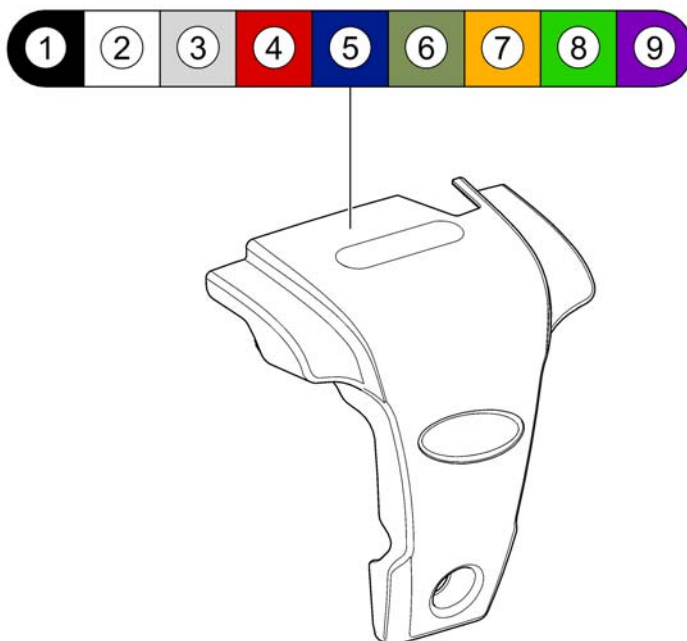
1583238.00



Pos.	Part number	Description	Valid from → until	Qty
1	SP1179326	Kit, Shroud Hardware		1
2	SP1174634	Shroud, Center, black - Narrow Base		1
3	-	Rear Shrouds Narrow Base		1
4	-	Bezel Shroud		1
5	-	Front Shroud Narrow Base		1
6	SP1179897	Front Shroud, Bracket & Hardware - Narrow Base		1
7	SP1179738	Isolation Shroud Assy - Narrow Base		1
8	-	Fender		1
9	-	Rear Caps		1

## Rear Shrouds Narrow Base

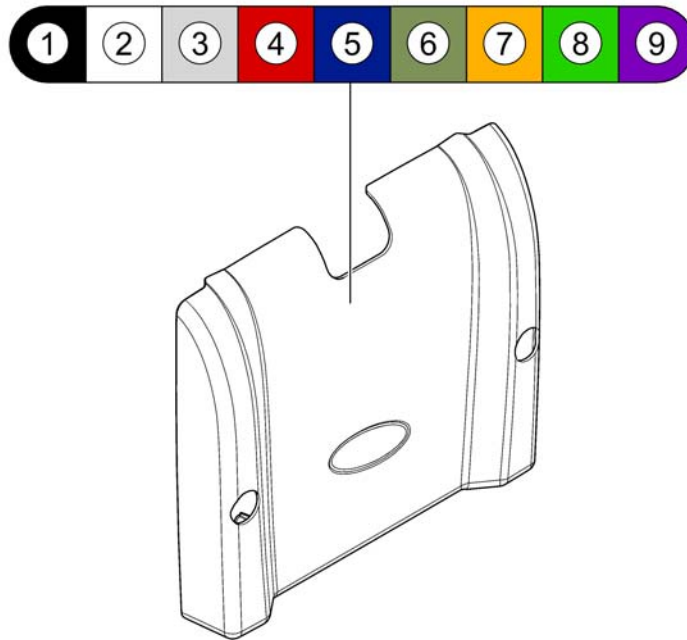
1583254 rev



Pos.	Part number	Description	Valid from → until	Qty
1	SP1176547	Rear Shroud w/ Decals, Wet Black		1
2	SP1176548	Rear Shroud w/ Decals, Artic White		1
3	SP1176549	Rear Shroud w/ Decals, Electric Silver		1
4	SP1176550	Rear Shroud w/ Decals, Electric Red		1
5	SP1176551	Rear Shroud w/ Decals, Electric Blue		1
6	SP1176552	Rear Shroud w/ Decals, Aviator Green	→ 2015-06-30	1
7	SP1176553	Rear Shroud w/ Decals, Desert Orange	→ 2015-06-30	1
8	SP1588735	Rear Shroud w/ Decals, Jade Green	2015-07-01 →	1
9	SP1588736	Rear Shroud w/ Decals, Transparent Purple	2015-07-01 →	1

## Front Shroud Narrow Base

1583258.iss



Pos.	Part number	Description	Valid from → until	Qty
1	SP1179714	Front Shroud Assy, Wet Black		1
2	SP1189214	Front Shroud Assy, Artic White		1
3	SP1189215	Front Shroud Assy, Electric Silver		1
4	SP1179715	Front Shroud Assy, Electric Red		1
5	SP1189216	Front Shroud Assy, Electric Blue		1
6	SP1179716	Front Shroud Assy, Aviator Green	→ 2015-06-30	1
7	SP1189217	Front Shroud Assy, Desert Orange	→ 2015-06-30	1
8	SP1588783	Front Shroud Assy, Jade Green	2015-07-01 →	1
9	SP1588785	Front Shroud Assy, Transparent Purple	2015-07-01 →	1

# Seat

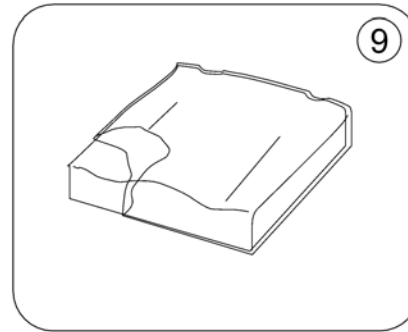
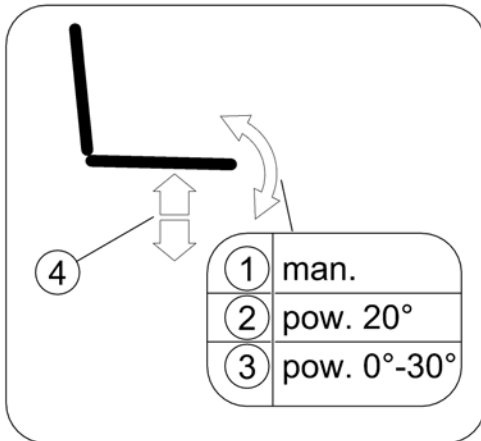
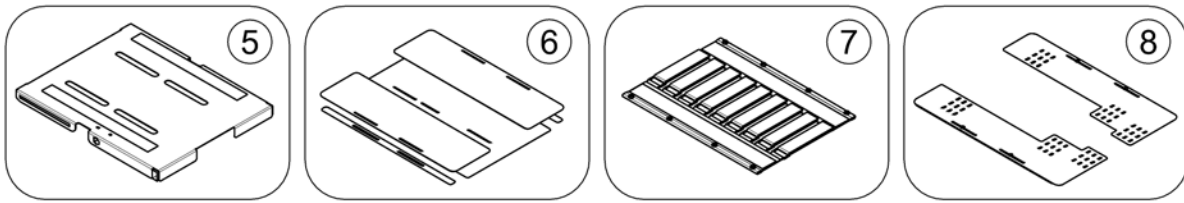
SPCTDX\_SP220.kso



Pos.	Part number	Description	Valid from → until	Qty
1	-	Modulite Seat		1
2	-	Ultra Low Maxx Seat		1
3	-	Max Seat		1

# Modulite Seat

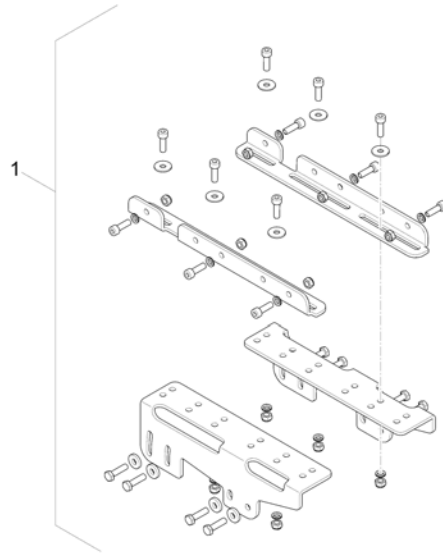
1582372.000



Pos.	Part number	Description	Valid from → until	Qty
1	-	man. settable Tilt [1091]		1
2	-	powered simple Tilt 20° [1092]		1
3	-	powered Tilt 0°-30° [1093]		1
4	-	Lifter [1094]		1
5	-	One Piece Seat Plate [2110]		1
6	-	Telescopic Seat Frame and Plate [2111]		1
7	-	Telescopic Seat Frame and Sling Seat [2112]		1
8	-	Telescopic Seat Frame and Universal Adapter [2109]		1
9	-	Seat Cushion		1

# man. settable Tilt

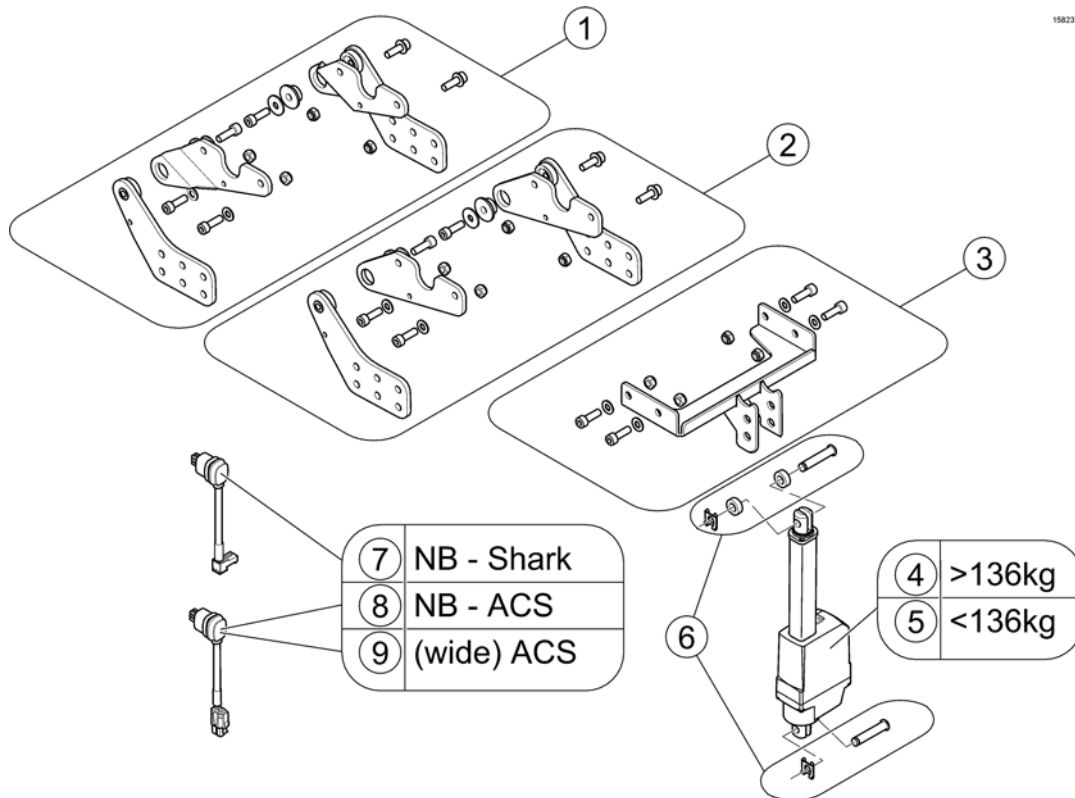
1577301 iso



Pos.	Part number	Description	Valid from → until	Qty
1	SP1563229	Mounting Rails		1



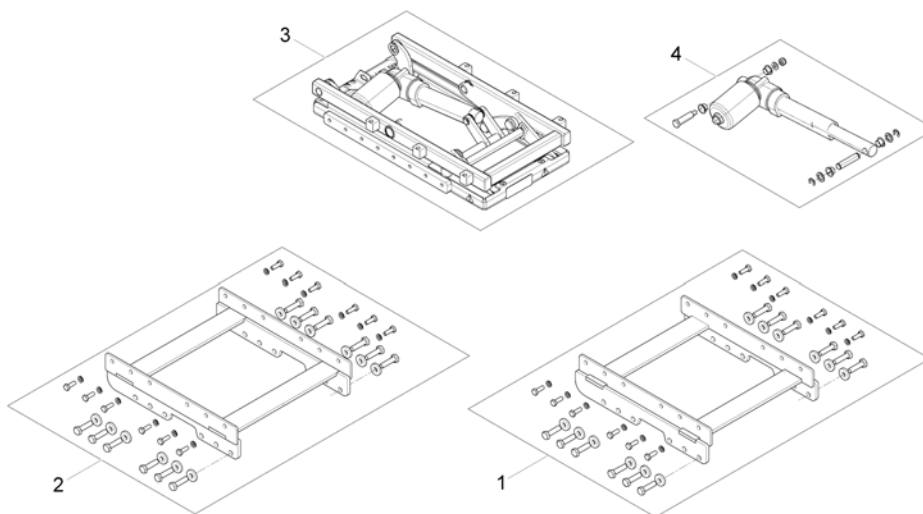
1582373.mxd



Pos.	Part number	Description	Valid from → until	Qty
1	SP1582738	Pivot Bearing Back - Wide Base		1
2	SP1582736	Pivot Bearing Back - Narrow Base		1
3	SP1582731	Support Plate Front for Tilt		1
4	SP1556487	Actuator LA23 - stroke 135mm / 2500N		1
5	SP1581020	Actuator LA23 - stroke 135mm / 1800N		1
6	SP1582737	Mounting Hardware for Tilt		1
7	SP1552297	Actuator Cable LA23 Shark (~500mm)		1
8	SP1556449	Actuator Cable LA23 ACS2 (~400mm)		1
9	SP1572166	Actuator Cable LA23 ACS2 (~950mm)		1

# powered Tilt 0°-30°

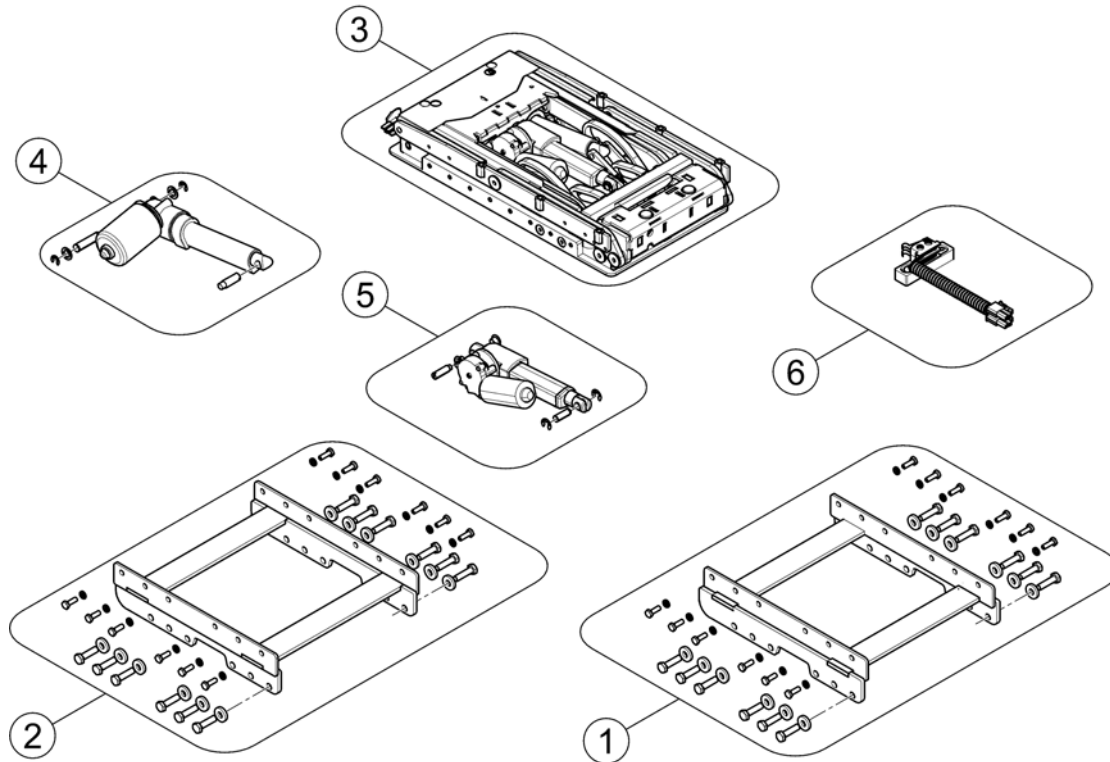
157302.00



Pos.	Part number	Description	Valid from → until	Qty
1	SP1568426	Lifter- /Tilt Bracket for wide Base		1
2	SP1568424	Lifter- /Tilt Bracket for narrow Base		1
3	SP1558714	Tilt unit		1
4	SP1571809	Actuator		1
-	SP1570291	Adapter Cable		1

# Lifter

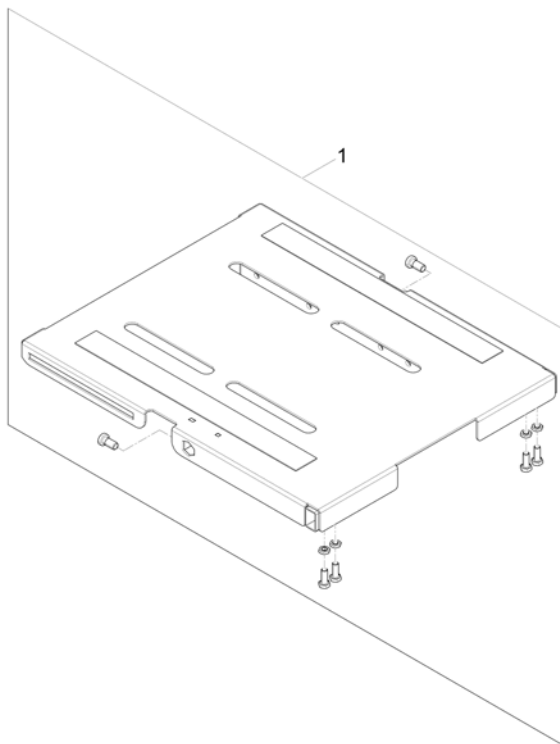
1577303 iso



Pos.	Part number	Description	Valid from → until	Qty
-	SP1570291	Adapter Cable <i>(2x for wide Base / 1x for Narrow Base)</i>		1
-	SP1576062	Extension Cable <i>(only for narrow Base)</i>		1
-	SP1570294	Extension Cable		1
-	SP1533561	Light Cable w. DCI		1
1	SP1568426	Lifter- /Tilt Bracket for wide Base		1
2	SP1568424	Lifter- /Tilt Bracket for narrow Base		1
3	SP1558715	Lifter- / Tilt unit		1
4	SP1571823	Lifter actuator		1
5	SP1571822	Tilt actuator		1
6	SP1577762	Slow-Stop Switchcable with Mounting		1

# One Piece Seat Plate

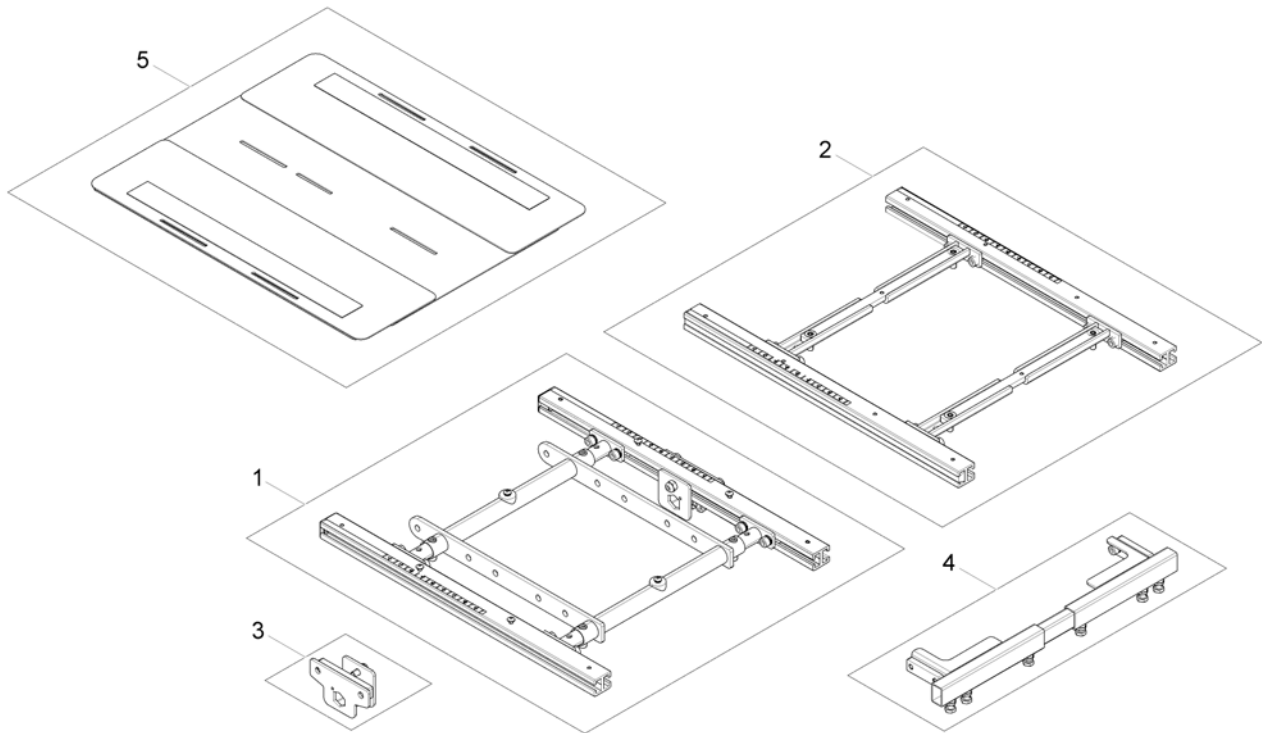
1571064.000



Pos.	Part number	Description	Valid from → until	Qty
1	SP1571297	One Piece Seat Plate		1

# Telescopic Seat Frame and Plate

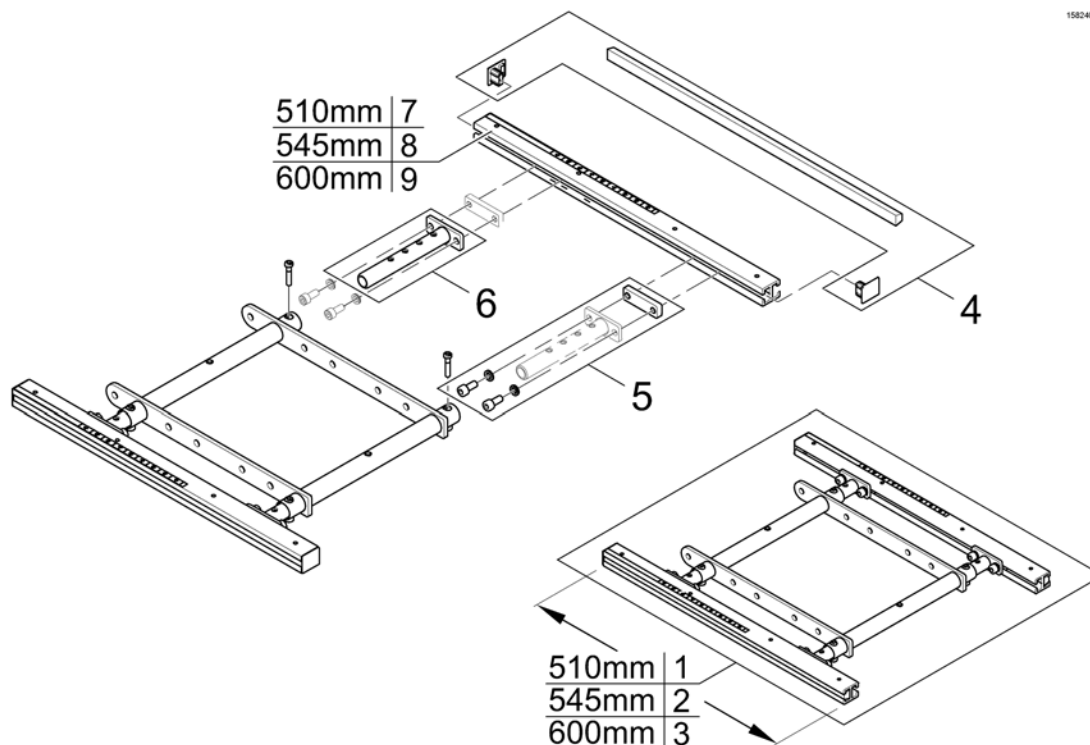
1572312 iso



Pos.	Part number	Description	Valid from → until	Qty
1	-	Telescopic Seat Frame for man. /pow. 20° Tilt		1
2	-	Telescopic Seat Frame for Tilt 30° / Lifter		1
3	-	Armrest Bracket		1
4	-	Legrest Support		1
5	-	Seat Plate		1

# Telescopic Seat Frame for man. /pow. 20° Tilt

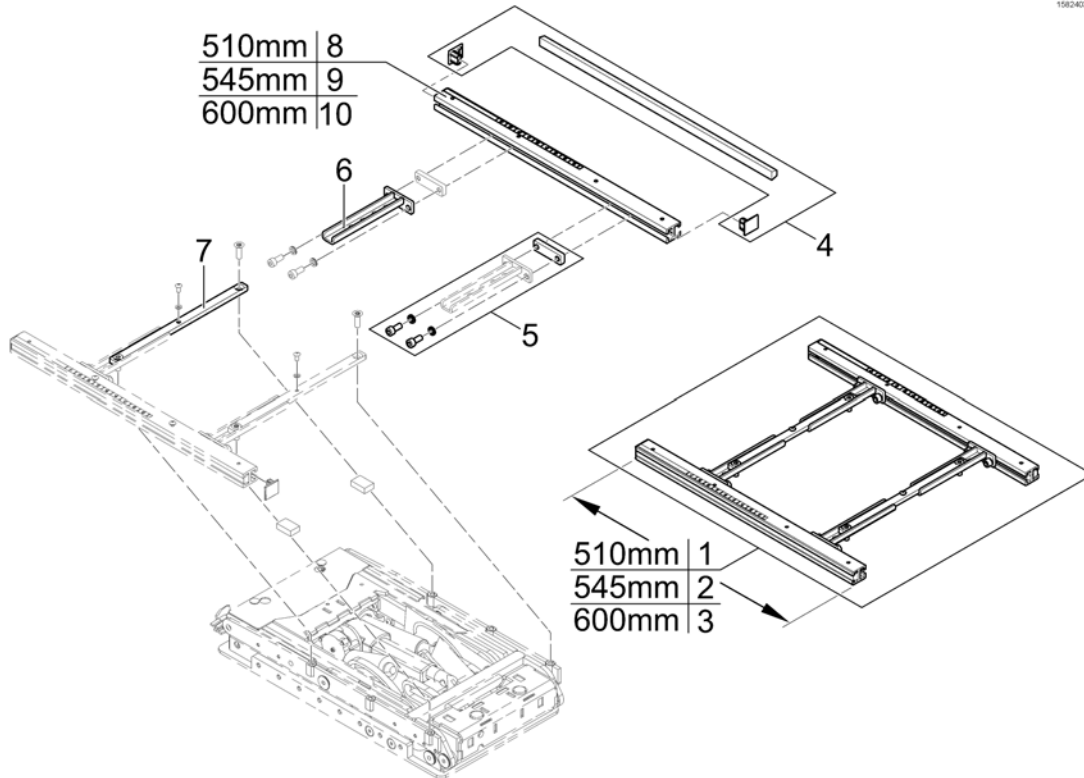
1582402.kim



Pos.	Part number	Description	Valid from → until	Qty
1	SP1572977	Seatframe 510mm, cpl., pre set up to SW 43cm		1
2	SP1582216	Seatframe 545mm, cpl., pre set up to SW 43cm		1
3	SP1582739	Seatframe 600mm, cpl., pre set up to SW 43cm		1
4	SP1571810	Sealing strap with plugs		1
5	SP1571811	Groove stone with mounting parts		1
6	SP1554646	Adjustment Tube		1
7	SP1588443	Seat Rails 510mm (2pcs kit)		1
8	SP1588444	Seat Rails 545mm (2pcs kit)		1
9	SP1588445	Seat Rails 600mm (2pcs kit)		1

# Telescopic Seat Frame for Tilt 30° / Lifter

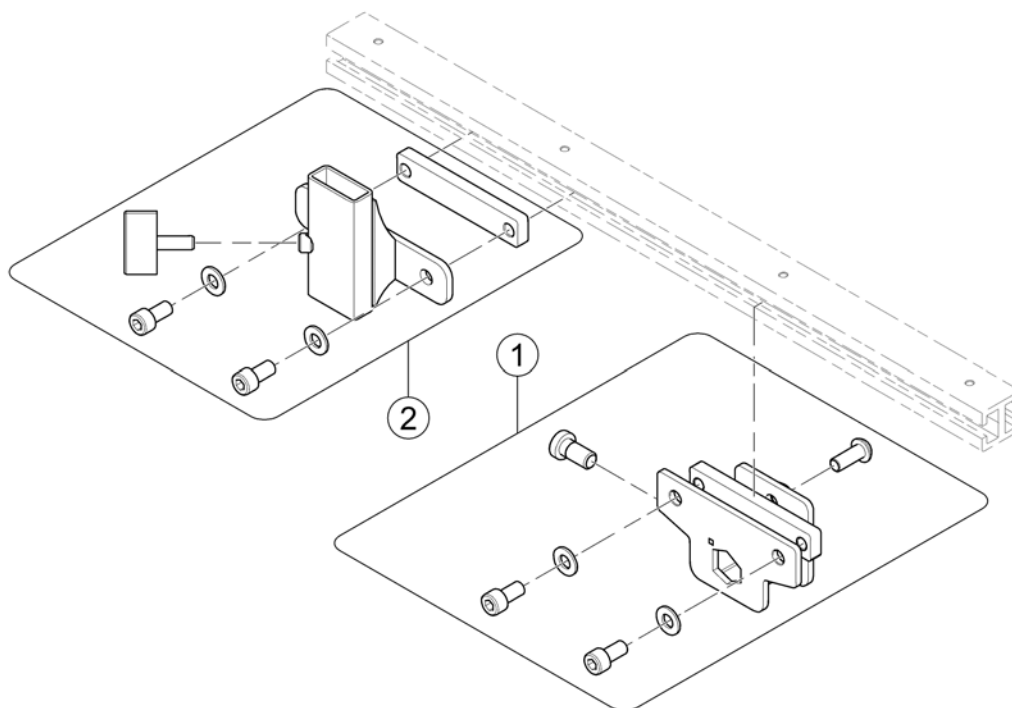
158243 Rev



Pos.	Part number	Description	Valid from → until	Qty
1	SP1572992	Seatframe 510mm, pre set up to SW 430mm, cpl.		1
2	SP1582219	Seatframe 545mm, pre set up to SW 430mm, cpl.		1
3	SP1582740	Seatframe 600mm, pre set up to SW 430mm, cpl.		1
4	SP1571810	Sealing strap with plugs		1
5	SP1571811	Groove stone with mounting parts		1
6	SP1567007	Seat Frame Adapter		1
7	SP1567008	Middle Rail		2
8	SP1588443	Seat Rails 510mm (2pcs kit)		1
9	SP1588444	Seat Rails 545mm (2pcs kit)		1
10	SP1588445	Seat Rails 600mm (2pcs kit)		1

# Armrest Bracket

1587804 Rev

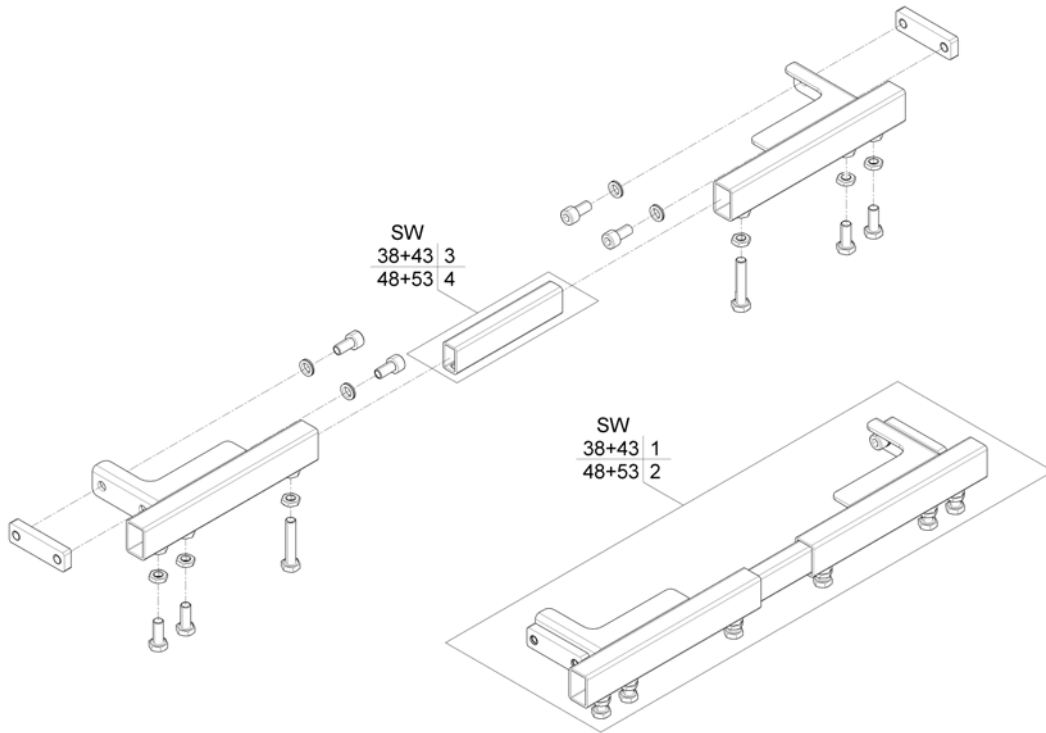


Pos.	Part number	Description	Valid from → until	Qty
1	SP1570189	Armrest bracket		1
2	SP1585469	Armrest Bracket (especially for Low Rider)		1



# Legrest Support

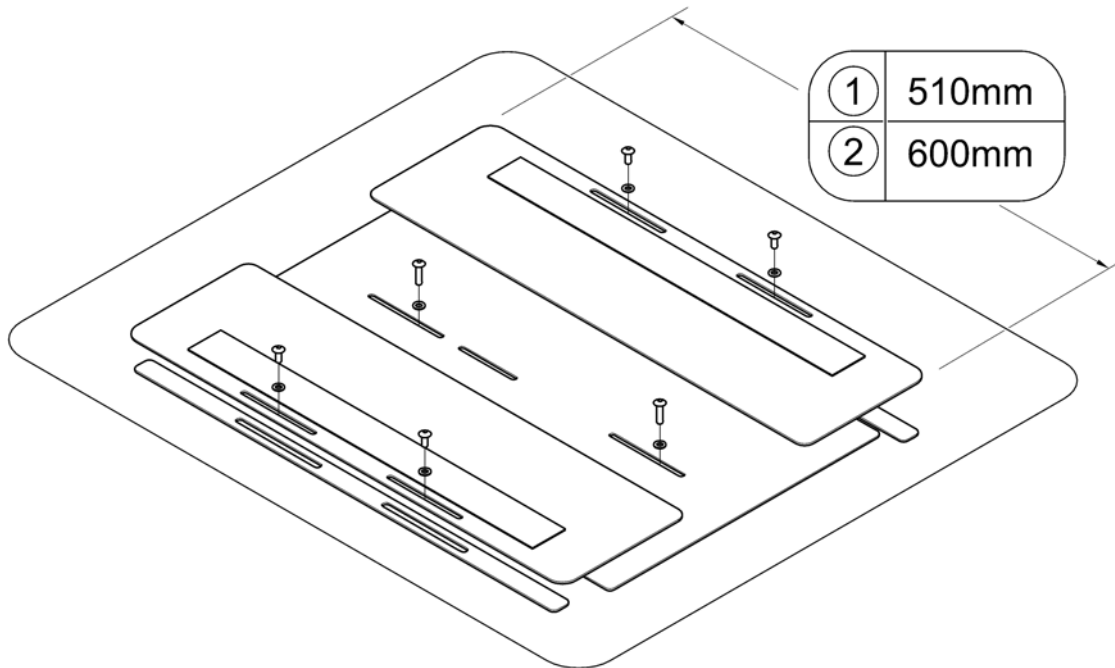
1572021.000



Pos.	Part number	Description	Valid from → until	Qty
1	SP1558935	Legrest Support SW38+43, cpl.		1
2	SP1559294	Legrest Support SW48+53, cpl.		1
3	SP1558134	Connection Tube SW380+430mm		1
4	SP1558135	Connection Tube SW480+530mm		1

# Seat Plate

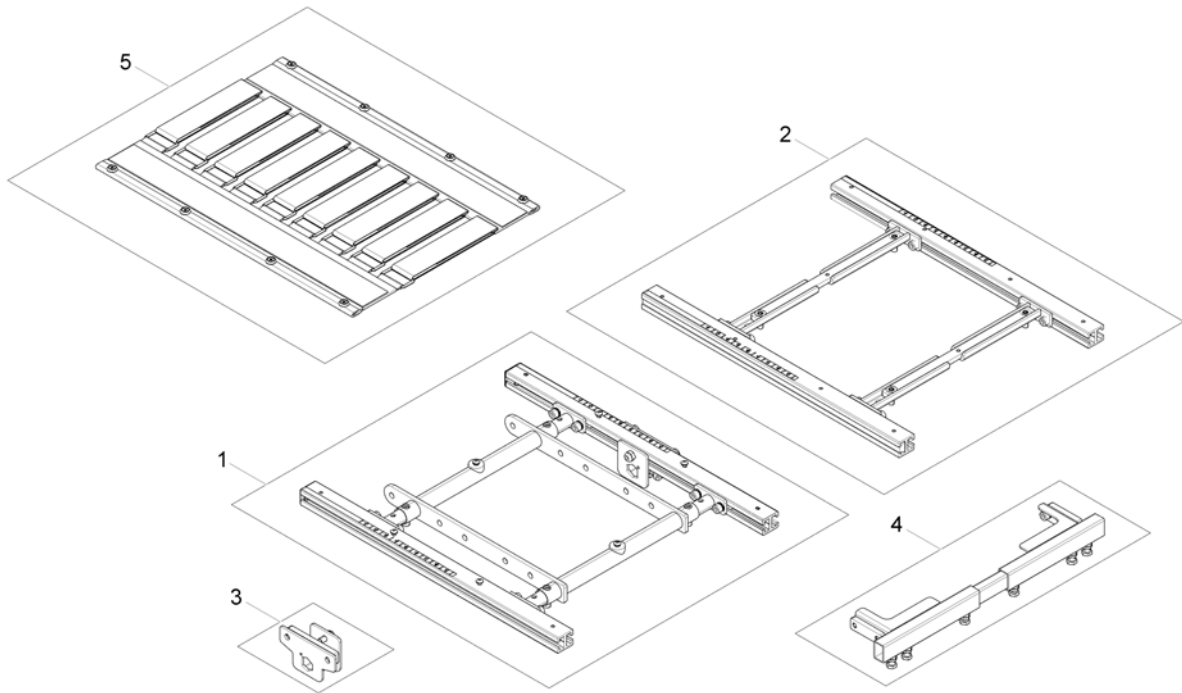
1582404.iso



Pos.	Part number	Description	Valid from → until	Qty
1	SP1572199	Seat Plate 510mm, cpl.		1
2	SP1580756	Seat Plate 600mm, cpl.		1

# Telescopic Seat Frame and Sling Seat

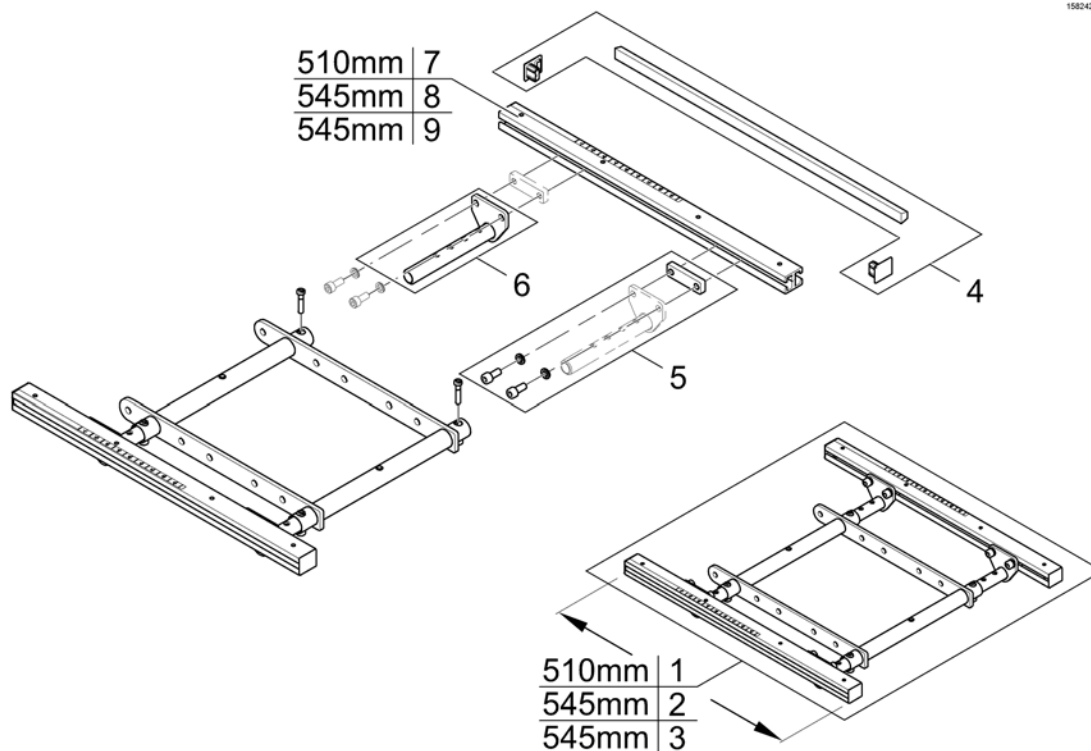
1572311.00



Pos.	Part number	Description	Valid from → until	Qty
1	-	Telescopic Seat Frame for man. / pow. 20° Tilt		1
2	-	Telescopic Seat Frame for Tilt 30° / Lifter		1
3	-	Armrest Bracket		1
4	-	Legrest Support		1
5	-	Sling Seat		1

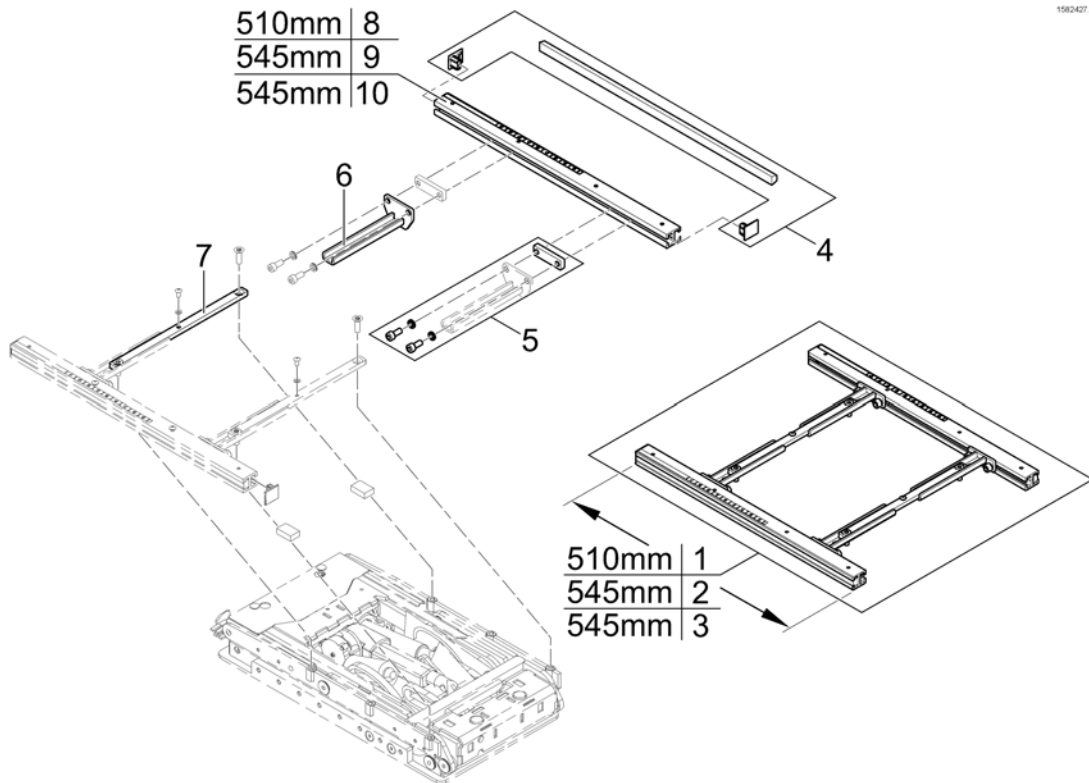
# Telescopic Seat Frame for man. / pow. 20° Tilt

1582426.iss



Pos.	Part number	Description	Valid from → until	Qty
1	SP1572978	Seatframe 510mm, cpl., pre set up to SW 43cm		1
2	SP1582217	Seatframe 545mm, cpl., pre set up to SW 43cm		1
3	SP1582741	Seatframe 600mm, cpl., pre set up to SW 43cm		1
4	SP1571810	Sealing strap with plugs		1
5	SP1571811	Groove stone with mounting parts		1
6	SP1555400	Adjustment Tube		1
7	SP1588443	Seat Rails 510mm (2pcs kit)		1
8	SP1588444	Seat Rails 545mm (2pcs kit)		1
9	SP1588445	Seat Rails 600mm (2pcs kit)		1

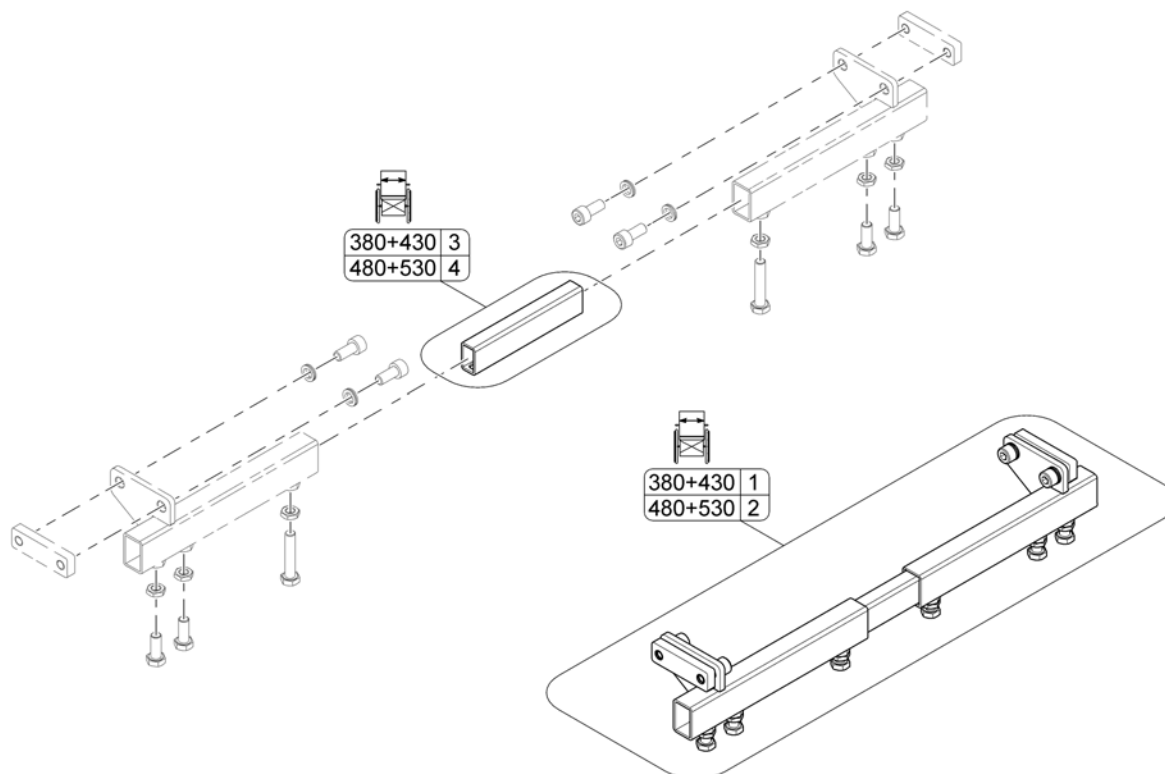
## Telescopic Seat Frame for Tilt 30° / Lifter



Pos.	Part number	Description	Valid from → until	Qty
1	SP1572993	Seatframe 510mm, pre set up to SW 430mm, cpl.		1
2	SP1582230	Seatframe 545mm, pre set up to SW 430mm, cpl.		1
3	SP1582742	Seatframe 600mm, pre set up to SW 430mm, cpl.		1
4	SP1571810	Sealing strap with plugs		1
5	SP1571811	Groove stone with mounting parts		1
6	SP1567720	Seatframe Adapter		1
7	SP1567008	Middle Rail		1
8	SP1588443	Seat Rails 510mm (2pcs kit)		1
9	SP1588444	Seat Rails 545mm (2pcs kit)		1
10	SP1588445	Seat Rails 600mm (2pcs kit)		1

# Legrest Support

1572030.000

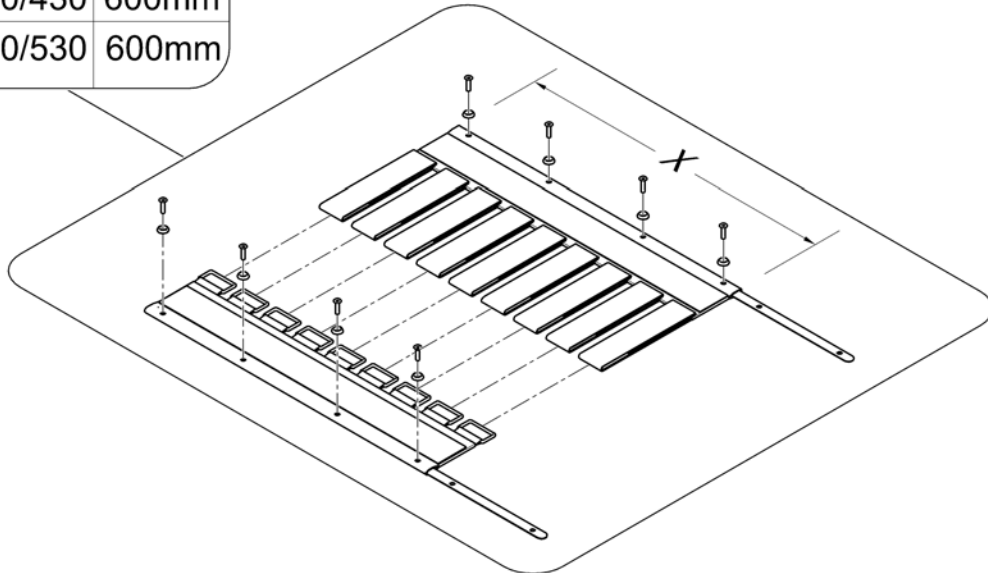


Pos.	Part number	Description	Valid from → until	Qty
1	SP1559305	Legrest Support SW380+430mm, cpl.		1
2	SP1559307	Legrest Support SW480+530mm, cpl.		1
3	SP1558134	Connection Tube SW380+430mm		1
4	SP1558135	Connection Tube SW480+530mm		1

# Sling Seat

1582429 iso

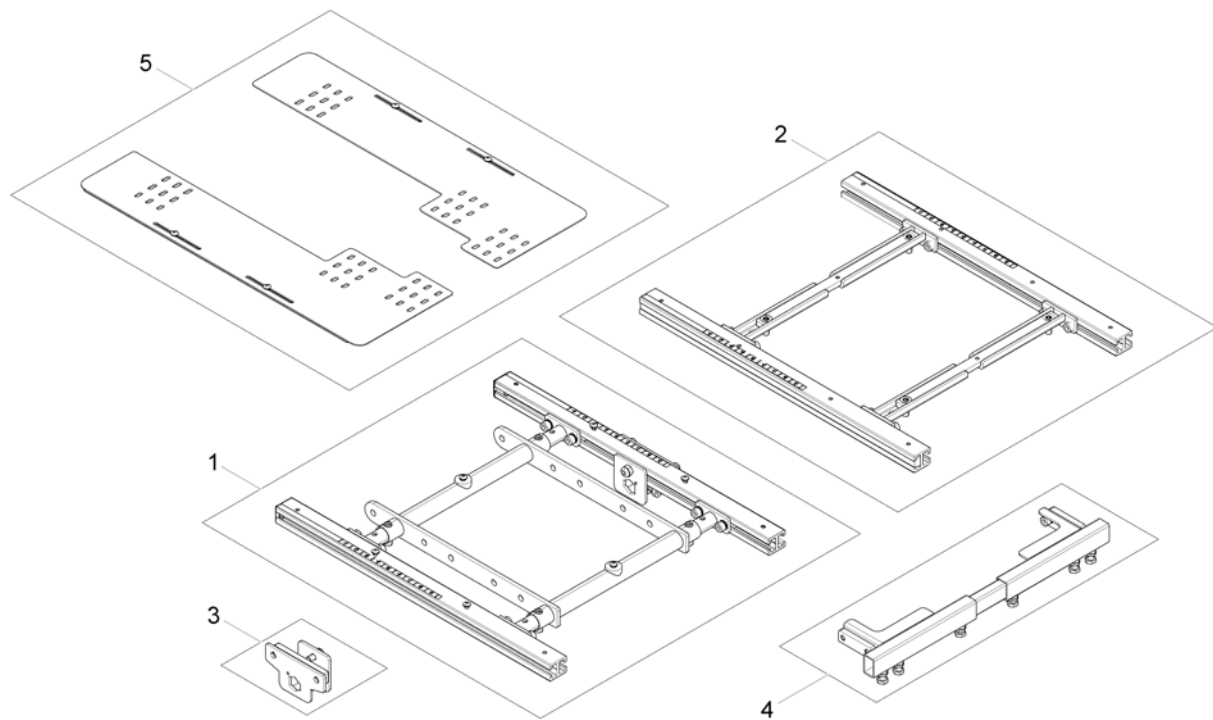
	SW	X
①	380/430	510mm
②	480/530	510mm
③	380/430	600mm
④	480/530	600mm



Pos.	Part number	Description	Valid from → until	Qty
1	SP1557877	Sling Seat SW380/430, 510mm		1
2	SP1555911	Sling Seat SW480/530, 510mm		1
3	SP1580757	Sling Seat SW380/430, 600mm		1
4	SP1580758	Sling Seat SW480/530, 600mm		1

# Telescopic Seat Frame and Universal Adapter

1581864 iso

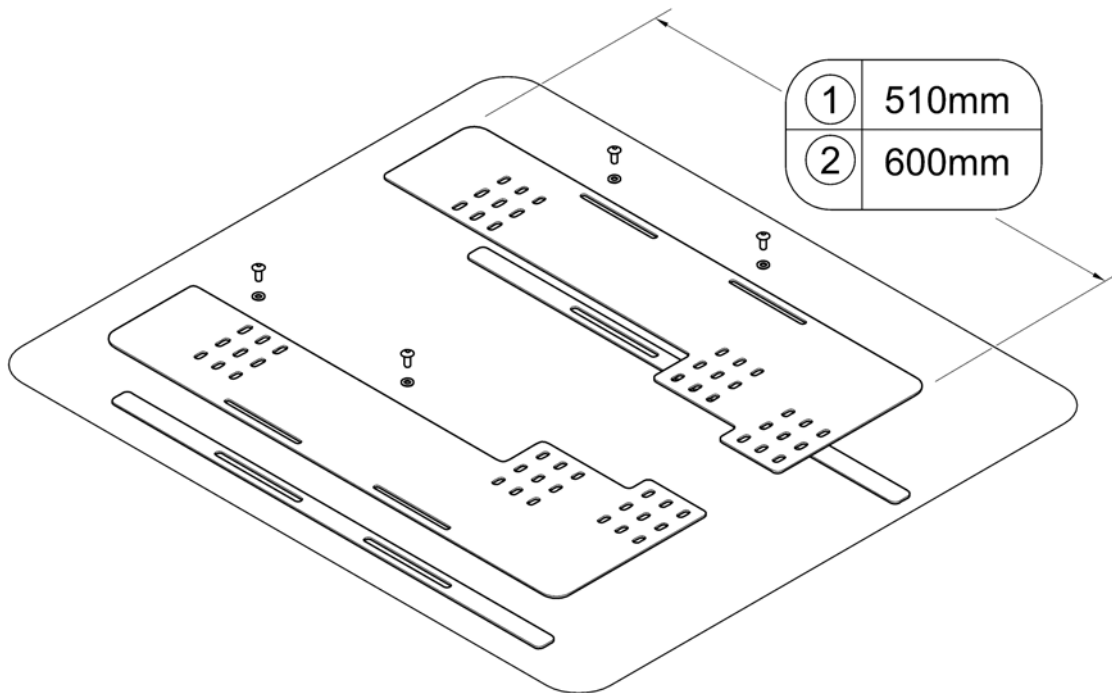


Pos.	Part number	Description	Valid from → until	Qty
1	-	Telescopic Seat Frame for man. /pow. 20° Tilt		1
2	-	Telescopic Seat Frame for Tilt 30° / Lifter		1
3	-	Armrest Bracket		1
4	-	Legrest Support		1
5	-	Adapter Kit for Universal Seat		1



Invacare® TDX-SP2, TDX-SP2 NB | Seat  
**Adapter Kit for Universal Seat**

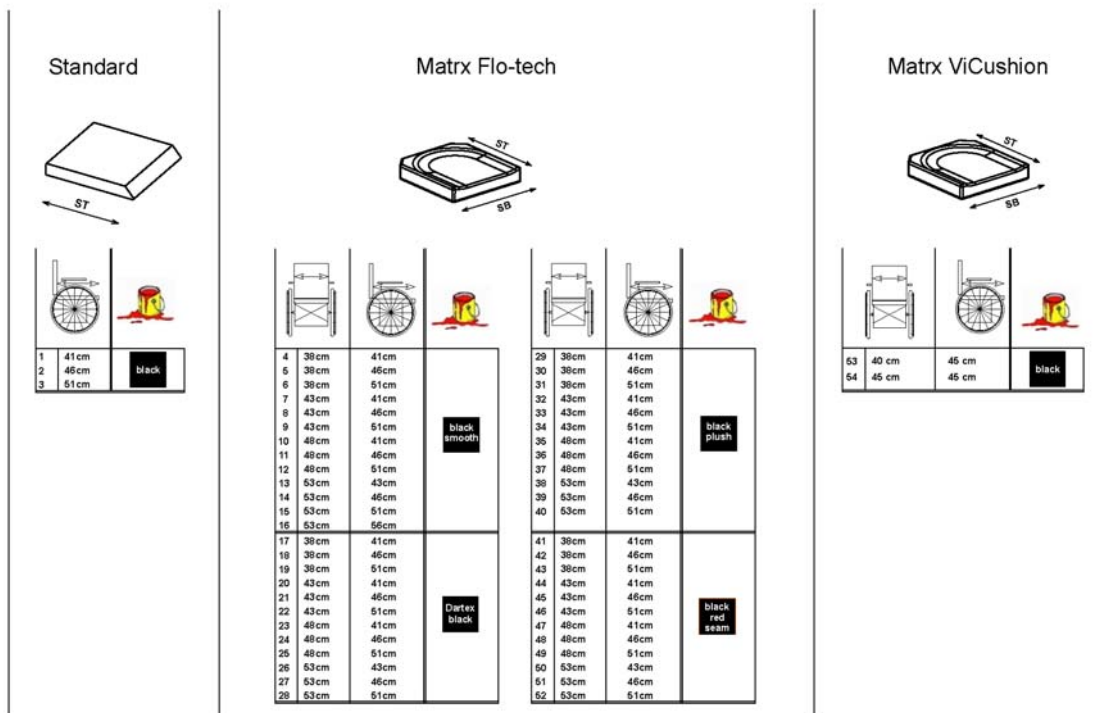
1582430.iso



Pos.	Part number	Description	Valid from → until	Qty
1	SP1580750	Adapter Kit for Universal Seat 510mm		1
2	SP1580759	Adapter Kit for Universal Seat 600mm		1

# Seat Cushion

1582643 iso



Pos.	Part number	Description	Valid from → until	Qty
1	1420460	Seat Cushion Standard SD 410mm <i>[2141]</i>		1
2	1420461	Seat Cushion Standard SD 460mm <i>[2141]</i>		1
3	1420462	Seat Cushion Standard SD 510mm <i>[2141]</i>		1
4	SPFLB15/16	Flo-Tech Lite 15x16" <i>[2142+2151]</i>		1
5	SPFLB15/18	Seatcushion Easy-Adapt SB38 x ST46cm black smooth <i>[2142+2151]</i>		1
6	SPFLB15/20	Seatcushion Easy-Adapt SB38 x ST51cm black smooth <i>[2142+2151]</i>		1
7	SPFLB17/16	Seatcushion Easy-Adapt SB43 x ST41cm black smooth <i>[2142+2151]</i>		1
8	SPFLB17/18	Seatcushion Easy-Adapt SB43 x ST46cm black smooth <i>[2142+2151]</i>		1
9	SPFLB17/20	Seatcushion Easy-Adapt SB43 x ST51cm black smooth <i>[2142+2151]</i>		1
10	SPFLB19/16	Seatcushion Easy-Adapt SB48 x ST41cm black smooth <i>[2142+2151]</i>		1
11	SPFLB19/18	Seatcushion Easy-Adapt SB48 x ST46cm black smooth <i>[2142+2151]</i>		1
12	SPFLB19/20	Flo-Tech Lite 19x20" <i>[2142+2151]</i>		1
13	SPFCB21/17	Flo-Tech Contour 21x17" <i>[2142+2151]</i>		1
14	SPFCB21/18	Flo-Tech Contour 21x18" <i>[2142+2151]</i>		1
15	SPFCB21/20	Flo-Tech Contour 21x20" <i>[2142+2151]</i>		1
16	SP1578042	Seatcushion Flo-tech Contour SW53 x SD56cm black <i>[2142+2151]</i>		1
17	SP1529546-TR26	seat cushion Flo-tech Lite SW 38 x SD 41 Dartex black <i>[2142+2152]</i>		1
18	SP1529547-TR26	seat cushion Flo-tech Lite SW 38 x SD 46 Dartex black <i>[2142+2152]</i>		1

**Seat Cushion**

Pos.	Part number	Description	Valid from → until	Qty
19	SP1529548-TR26	seat cushion Flo-tech Lite SW 38 x SD 51 Dartex black <i>[2142+2152]</i>		1
20	SP1529549-TR26	seat cushion Flo-tech Lite SW 43 x SD 41 Dartex black <i>[2142+2152]</i>		1
21	SP1529550-TR26	seat cushion Flo-tech Lite SW 43 x SD 46 Dartex black <i>[2142+2152]</i>		1
22	SP1529551-TR26	seat cushion Flo-tech Lite SW 43 x SD 51 Dartex black <i>[2142+2152]</i>		1
23	SP1529552-TR26	seat cushion Flo-tech Lite SW 48 x SD 41 Dartex black <i>[2142+2152]</i>		1
24	SP1529553-TR26	seat cushion Flo-tech Lite SW 48 x SD 46 Dartex black <i>[2142+2152]</i>		1
25	SP1529554-TR26	seat cushion Flo-tech Lite SW 48 x SD 51 Dartex black <i>[2142+2152]</i>		1
26	SP1529555-TR26	seat cushion Flo-tech Contour SW 53 x SD 43 Dartex black <i>[2142+2152]</i>		1
27	SP1529556-TR26	seat cushion Flo-tech Contour SW 53 x SD 46 Dartex black <i>[2142+2152]</i>		1
28	SP1529570-TR26	seat cushion Flo-tech Contour SW 53 x SD 51 Dartex black <i>[2142+2152]</i>		1
29	SP1529546-TR35	seat cushion Flo-tech Lite SW 38 x SD 41 black chenille fabric <i>[2142+2154]</i>		1
30	SP1529547-TR35	seat cushion Flo-tech Lite SW 38 x SD 46 black chenille fabric <i>[2142+2154]</i>		1
31	SP1529548-TR35	seat cushion Flo-tech Lite SW 38 x SD 51 black chenille fabric <i>[2142+2154]</i>		1
32	SP1529549-TR35	seat cushion Flo-tech Lite SW 43 x SD 41 black chenille fabric <i>[2142+2154]</i>		1
33	SP1529550-TR35	seat cushion Flo-tech Lite SW 43 x SD 46 black chenille fabric <i>[2142+2154]</i>		1
34	SP1529551-TR35	seat cushion Flo-tech Lite SW 43 x SD 51 black chenille fabric <i>[2142+2154]</i>		1
35	SP1529552-TR35	Seat cushion Flo-tech Lite SW 48 x SD 41 black chenille fabric <i>[2142+2154]</i>		1
36	SP1529553-TR35	seat cushion Flo-tech Lite SW 48 x SD 46 black chenille fabric <i>[2142+2154]</i>		1
37	SP1529554-TR35	seat cushion Flo-tech Lite SW 48 x SD 51 black chenille fabric <i>[2142+2154]</i>		1
38	SP1529555-TR35	seat cushion Flo-tech Contour SW 53 X SD 43 black chenille fabric <i>[2142+2154]</i>		1
39	SP1529556-TR35	seat cushion Flo-tech Contour SW 53 x SD 46 black chenille fabric <i>[2142+2154]</i>		1
40	SP1529570-TR35	seat cushion Flo-tech Contour SW 53 x SD 51 black chenille fabric <i>[2142+2154]</i>		1
41	SP1529546	Seatcushion Easy-Adapt SB38 x ST41cm black with red seam <i>[2142+2153]</i>		1
42	SP1529547	Seatcushion Easy-Adapt SB38 x ST46cm black with red seam <i>[2142+2153]</i>		1
43	SP1529548	Seatcushion Easy-Adapt SB38 x ST51cm black with red seam <i>[2142+2153]</i>		1
44	SP1529549	Seatcushion Easy-Adapt SB43 x ST41cm black with red seam <i>[2142+2153]</i>		1
45	SP1529550	Seatcushion Easy-Adapt SB43 x ST46cm black with red seam <i>[2142+2153]</i>		1
46	SP1529551	Seatcushion Easy-Adapt SB43 x ST51cm black with red seam <i>[2142+2153]</i>		1
47	SP1529552	Seatcushion Easy-Adapt SB48 x ST41cm black with red seam <i>[2142+2153]</i>		1
48	SP1529553	Seatcushion Easy-Adapt SB48 x ST46cm black with red seam <i>[2142+2153]</i>		1
49	SP1529554	Seatcushion Easy-Adapt SB48 x ST51cm black with red seam <i>[2142+2153]</i>		1
50	SP1529555	Seatcushion Easy-Adapt SB53 x ST43cm black with red seam <i>[2142+2153]</i>		1

## Seat Cushion

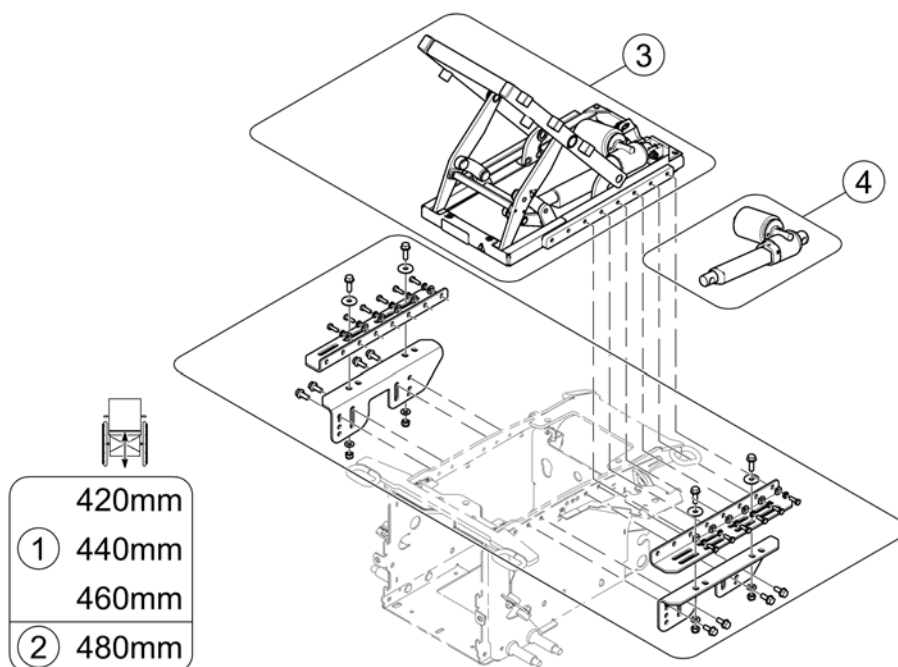
Pos.	Part number	Description	Valid from → until	Qty
51	SP1529556	Seatcushion Easy-Adapt SB53 x ST46cm black with red seam <i>[2142+2153]</i>		1
52	SP1529570	Seatcushion Easy-Adapt SB53 x ST51cm black with red seam <i>[2142+2153]</i>		1
53	SP1531760	Seat Cushion MatrX Vi SW 40 x SD 45cm (16" x 18") <i>[2144]</i>		1
54	SP1531761	Seat Cushion MatrX Vi SW 45 x SD 45cm (18" x 18") <i>[2144]</i>		1
55	SP1501113	Seat Cushion Flo-tech Contur Visco 43x43cm <i>[2143]</i>		1

**Ultra Low Maxx Seat**

Pos.	Part number	Description	Valid from → until	Qty
1	-	Seat Tilt		1
2	-	Seat Lifter with Tilt		1
3	-	Anterior- / Pre-Tilt		1
4	-	Seat Plates & Side Rails		1
5	-	Seat Cushions "Matrx Vi"		1
6	-	Seat Cushions "Matrx Flo-Tech"		1

# Seat Tilt

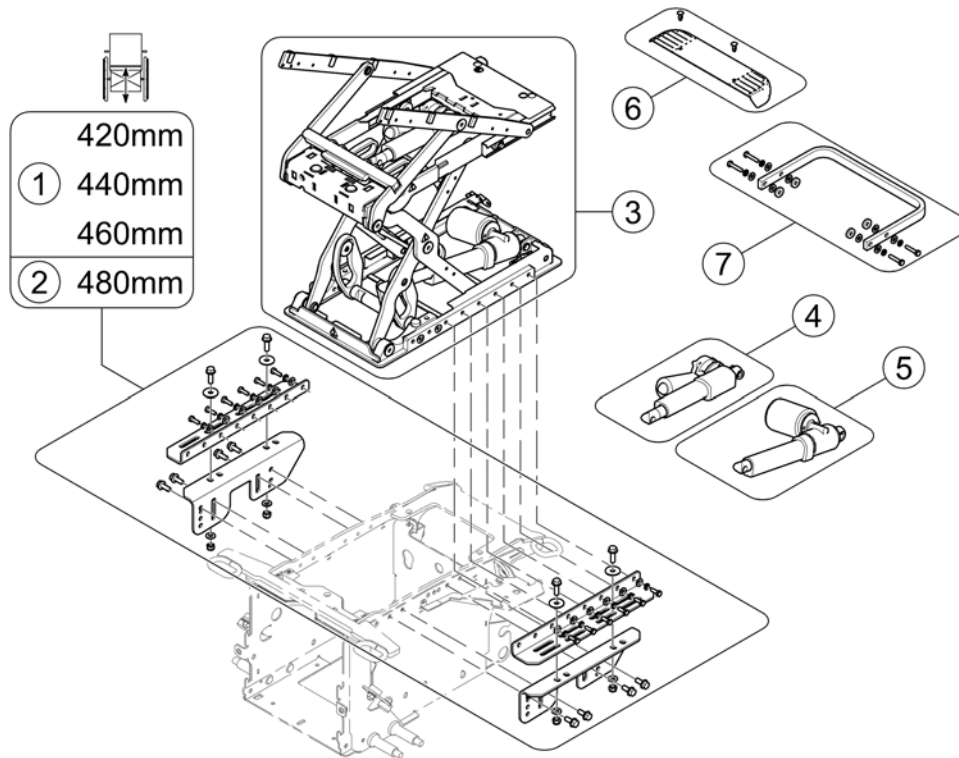
1588100 Rev



Pos.	Part number	Description	Valid from → until	Qty
1	SPTRC2038	Base Interface Kit STF 420/440/460mm		1
2	SPTRC2103	Base Interface Kit STF 480mm		1
3	SP1585523	Tilt Module, cpl.		1
4	SP1588440	Tilt Actuator, cpl. with hardware		1
-	SPTRE0755	Cable, Tilt Actuator		1

## Seat Lifter with Tilt

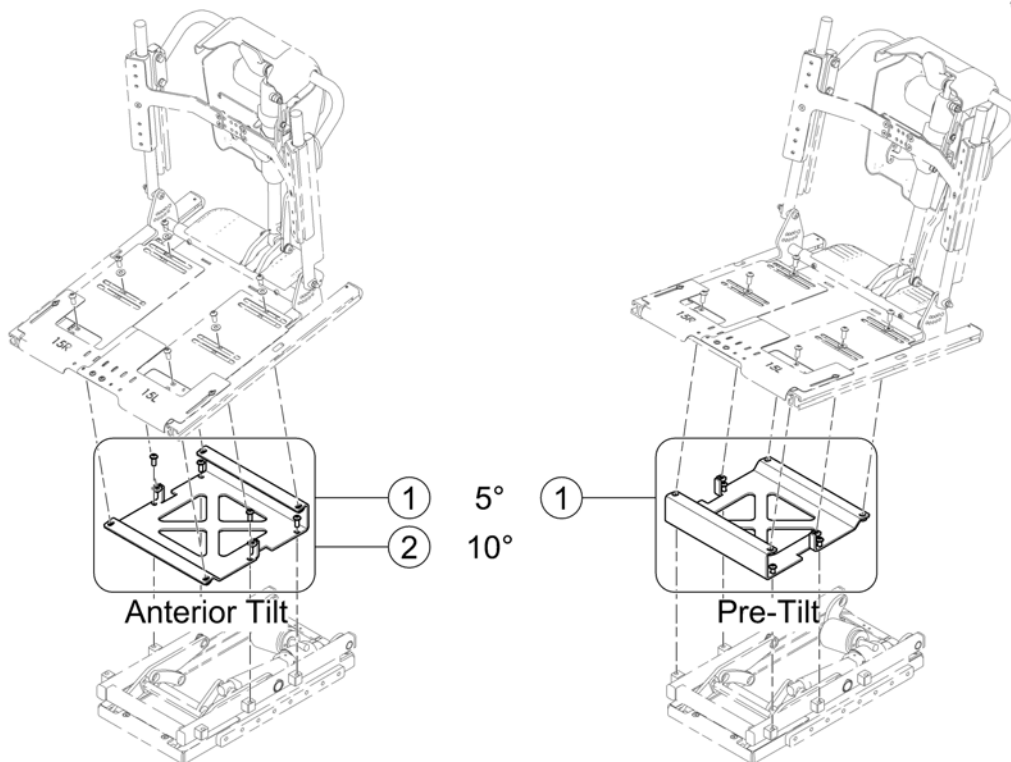
1588151-00



Pos.	Part number	Description	Valid from → until	Qty
1	SPTRC2038	Base Interface Kit STF 420/440/460mm		1
2	SPTRC2103	Base Interface Kit STF 480mm		1
3	SP1585524	Lifter/Tilt Module, cpl.		1
4	SP1588442	Lifter actuator, cpl. with hardware		1
5	SP1588441	Tilt actuator, cpl. with hardware		1
6	SPTRC2071	Cover, Rear Wiring Lifter, cpl.		1
7	SPTRC2111	Bumper with mounting hardware		1
-	SPTRW0289	Wiring Kit Lifter		1

# Anterior- / Pre-Tilt

1588205 Rev

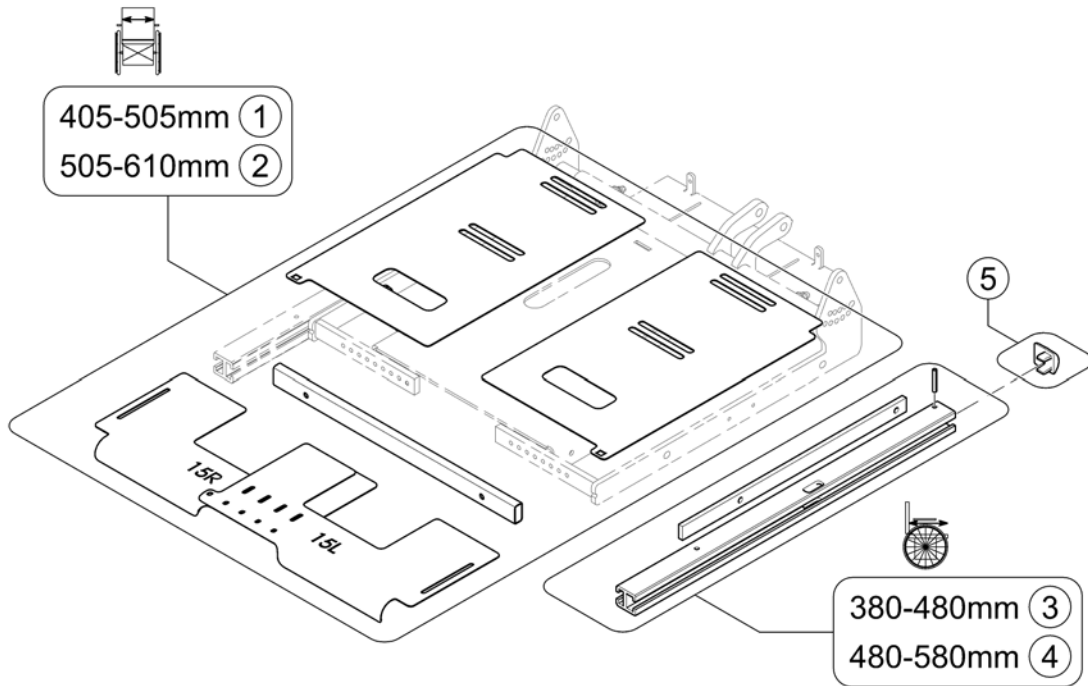


Pos.	Part number	Description	Valid from → until	Qty
1	SPTRC1923	Anterior/Pre-Tilt Mounting Kit 5°		1
2	SPTRC1924	Anterior-Tilt Mounting Kit 10°		1



## Seat Plates & Side Rails

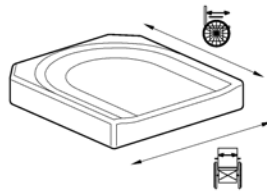
1588152 Rev



Pos.	Part number	Description	Valid from → until	Qty
1	SPTRC2187	Seat Pans - SW 405-505mm (16-20")		1
2	SPTRC2189	Seat Pans - SW 505-610mm (19-24")		1
3	SPTRC2141	Seat Rail Kit SD 380-480mm, cpl.		1
4	SPTRC2142	Seat Rail Kit SD 480-580mm, cpl.		1
5	SPTRC2090	End cap kit (2 pcs)		1

# Seat Cushions "Matrx Vi"

1588153.iss



## Matrx Vi

	mm								
	405	430	455	480	505	530	555	580	610
380	1	4	4	8	8	-	-	-	-
405	1	4	4	8	8	-	-	-	-
430	1	4	4	8	8	-	-	-	-
455	2	5	5	9	9	12	12	15	15
480	2	5	5	9	9	12	12	15	15
505	3	6	6	10	10	13	13	16	16
530	3	6	6	10	10	13	13	16	16
555	-	7	7	11	11	14	14	17	17
580	-	7	7	11	11	14	14	17	17

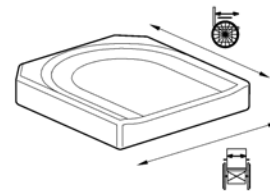
Pos.	Part number	Description	Valid from → until	Qty
1	SP1579786	Matrx Vi 16x16"		1
2	SP1579787	Matrx Vi 16x18"		1
3	SP1579788	Matrx Vi 16x20"		1
4	SP1579920	Matrx Vi 18x16"		1
5	SP1579921	Matrx Vi 18x18"		1
6	SP1579922	Matrx Vi 18x20"		1
7	SP1584183	Matrx Vi 18x22"		1
8	SP1579923	Matrx Vi 20x16"		1
9	SP1579924	Matrx Vi 20x18"		1
10	SP1579925	Matrx Vi 20x20"		1
11	SP1584184	Matrx Vi 20x22"		1
12	SP1579926	Matrx Vi 22x18"		1
13	SP1579927	Matrx Vi 22x20"		1
14	SP1584247	Matrx Vi 22x22"		1
15	SP1584384	Matrx Vi 24x18"		1
16	SP1584417	Matrx Vi 24x20"		1
17	SP1584418	Matrx Vi 24x22"		1

# Seat Cushions "Matrx Flo-Tech"

1588508.iss

**Matrx Flo-Tech Lite**

		mm				
		405	430	455	480	505
mm	380	1	1	5	5	9
	405	2	2	6	6	9
	430	2	2	6	6	10
	455	3	3	7	7	10
	480	3	3	7	7	-
	505	4	4	8	8	-
	530	4	4	8	8	-



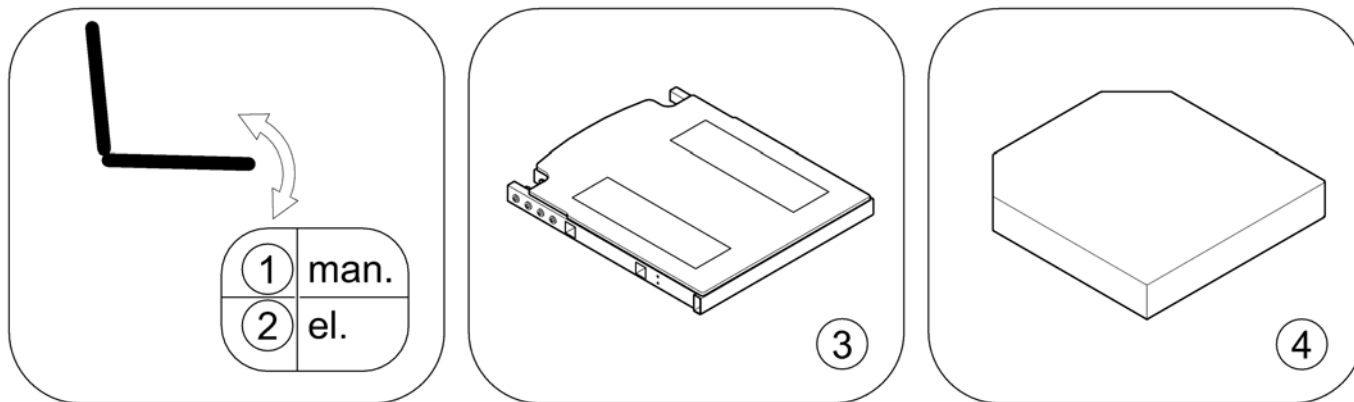
**Matrx Flo-Tech Contour**

		mm									
		405	430	455	480	505	530	555	580	610	
mm	380	11	11	15	15	19	-	-	-	-	
	405	12	12	16	16	19	-	-	-	-	
	430	12	12	16	16	20	20	24	24	27	
	455	13	13	17	17	21	21	24	24	27	
	480	13	13	17	17	21	21	25	25	28	
	505	14	14	18	18	22	22	25	25	28	
	530	14	14	18	18	22	22	26	26	29	
	555	-	-	-	-	23	23	26	26	29	
		555	-	-	-	-	23	23	26	26	29

Pos.	Part number	Description	Valid from → until	Qty
1	FLB17/15	Flo-Tech Lite 17X15"		1
2	FLB17/16	Flo-Tech Lite 17X16"		1
3	FLB17/18	Flo-Tech Lite 17X18"		1
4	FLB17/20	Flo-Tech Lite 17X20"		1
5	FLB19/15	Flo-Tech Lite 19x15"		1
6	FLB19/16	Flo-Tech Lite 19x16"		1
7	FLB19/18	Flo-Tech Lite 19x18"		1
8	SPFLB19/20	Flo-Tech Lite 19x20"		1
9	SP1584714	Flo-Tech Lite 20x15"		1
10	SP1584713	Flo-Tech Lite 20x17"		1
11	FCB17/15	Flo-Tech Contour 17x15"		1
12	SPFCB17_16	Flo-Tech Contour 17x16"		1
13	SPFCB17_18	Flo-Tech Contour 17x18"		1
14	SPFCB17_20	Flo-Tech Contour 17x20"		1
15	SPFCB19_15	Flo-Tech Contour 19x15"		1
16	SPFCB19_16	Flo-Tech Contour 19x16"		1
17	SPFCB19_18	Flo-Tech Contour 19x18"		1
18	SPFCB19_20	Flo-Tech Contour 19x20"		1
19	SPFCB20_15	Flo-Tech Contour 20x15"		1
20	SPFCB21/17	Flo-Tech Contour 21x17"		1
21	SPFCB21/18	Flo-Tech Contour 21x18"		1
22	SPFCB21/20	Flo-Tech Contour 21x20"		1
23	SP1584739	Flo-Tech Contour 21x22"		1
24	SP1584740	Flo-Tech Contour 23x17"		1
25	SP1584741	Flo-Tech Contour 23x19"		1
26	SP1584742	Flo-Tech Contour 23x21"		1
27	SP1584743	Flo-Tech Contour 24x17"		1
28	SP1584770	Flo-Tech Contour 24x19"		1
29	SP1584771	Flo-Tech Contour 24x21"		1

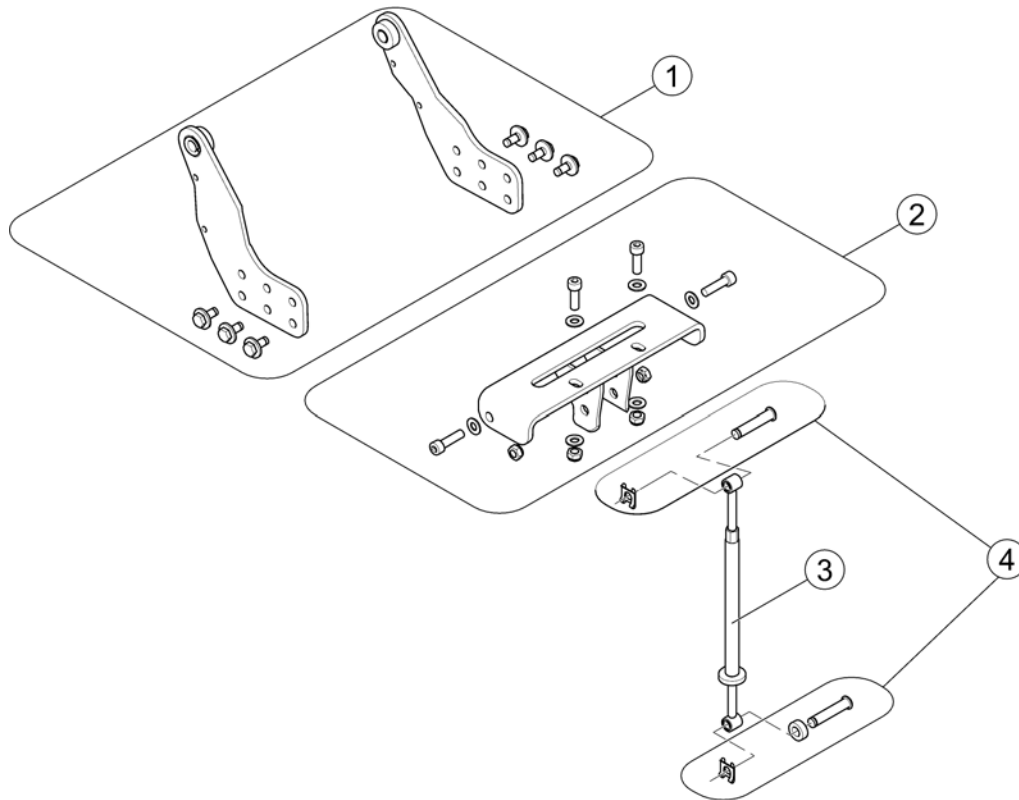
# Max Seat

1582428.iso



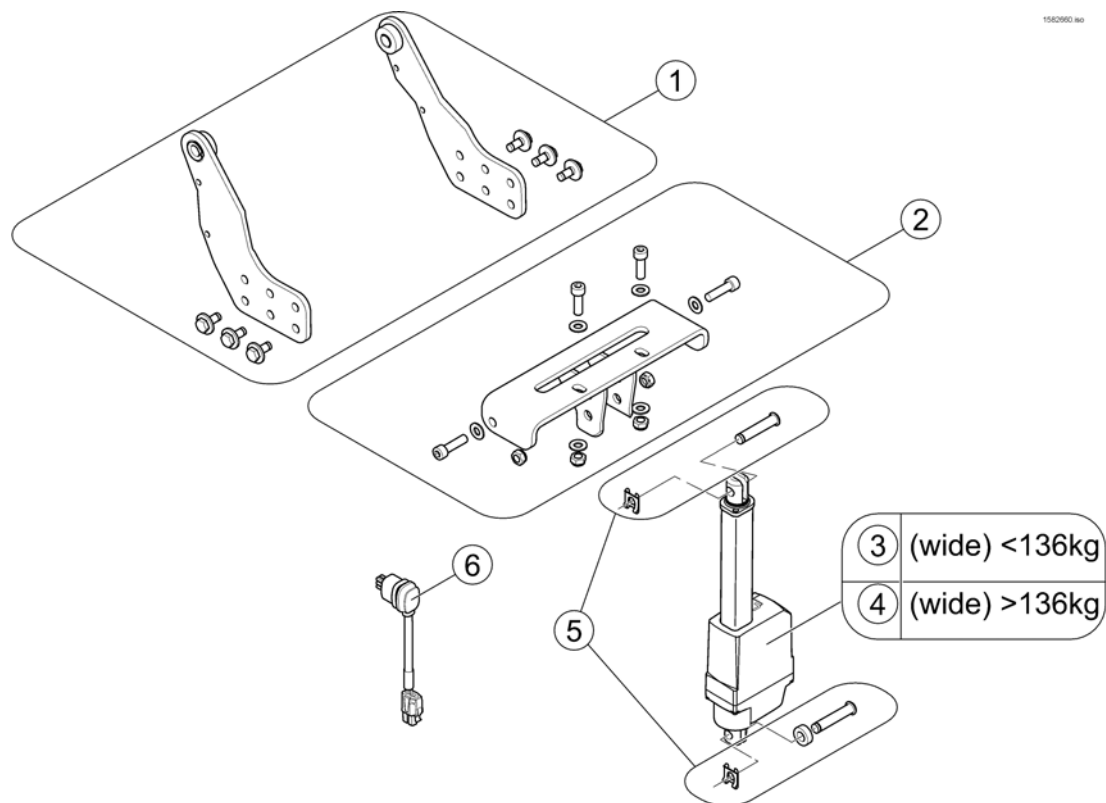
Pos.	Part number	Description	Valid from → until	Qty
1	-	man. settable Tilt		1
2	-	powered simple Tilt		1
3	-	Seat Frame and Plate		1
4	-	Seat Cushion		1

1582059-00



Pos.	Part number	Description	Valid from → until	Qty
1	SP1582746	Pivot Bearing Back - Max Seat		1
2	SP1582747	Support Plate Tilt - Max Seat		1
3	1420003	SPINDLE SEAT HEIGHT ADJUSTMENT MANUAL CPL.		1
4	SP1582737	Mounting Hardware for Tilt		1

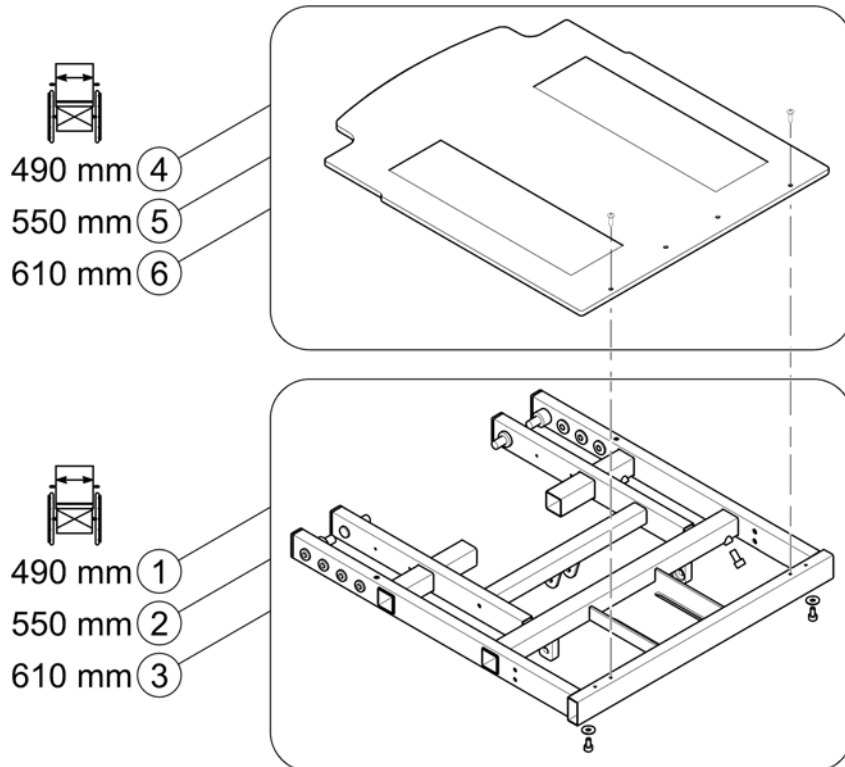
# powered simple Tilt



Pos.	Part number	Description	Valid from → until	Qty
1	SP1582746	Pivot Bearing Back - Max Seat		1
2	SP1582747	Support Plate Tilt - Max Seat		1
3	SP1581020	Actuator LA23 - stroke 135mm / 1800N		1
4	SP1556487	Actuator LA23 - stroke 135mm / 2500N		1
5	SP1582737	Mounting Hardware for Tilt		1
6	SP1572166	Actuator Cable LA23 ACS2 (~950mm)		1

## Seat Frame and Plate

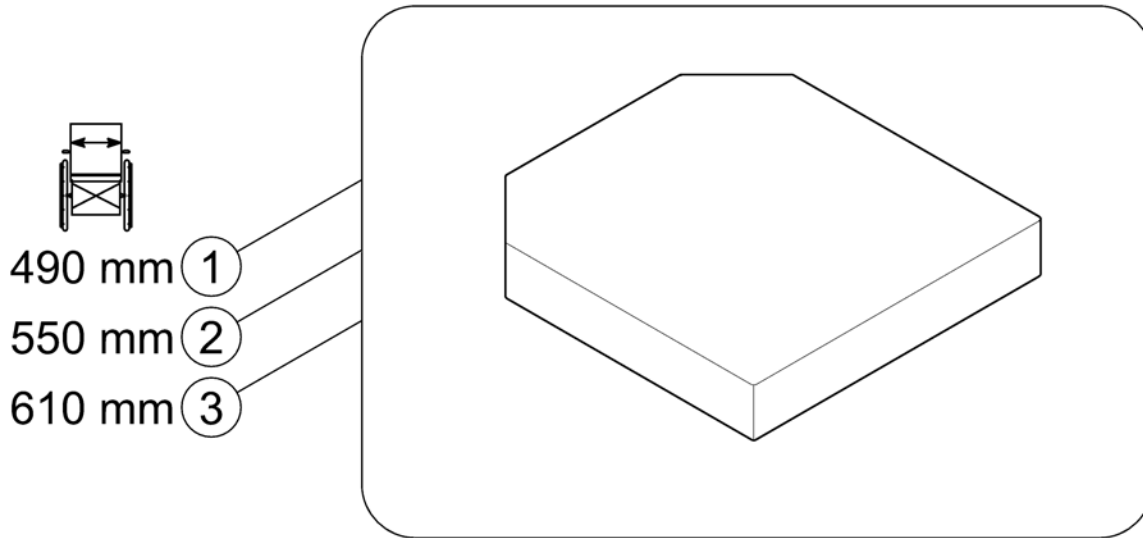
1582961.000



Pos.	Part number	Description	Valid from → until	Qty
1	SP1582748	Seat Frame SW 490mm		1
2	SP1582749	Seat Frame SW 550mm		1
3	SP1582772	Seat Frame SW 610mm		1
4	SP1508137	Seat plate SW 490mm		1
5	SP1525083	Seat plate SW 550mm		1
6	SP1525082	Seat plate SW 610mm		1

# Seat Cushion

1582666.iso



Pos.	Part number	Description	Valid from → until	Qty
1	SP1508059	Seat cushion 505x535, TR23		1
2	SP1536595	Seat cushion 550 x 635, TR23		1
3	SP1536596	Seat cushion 610x635, TR23		1



## Backrest

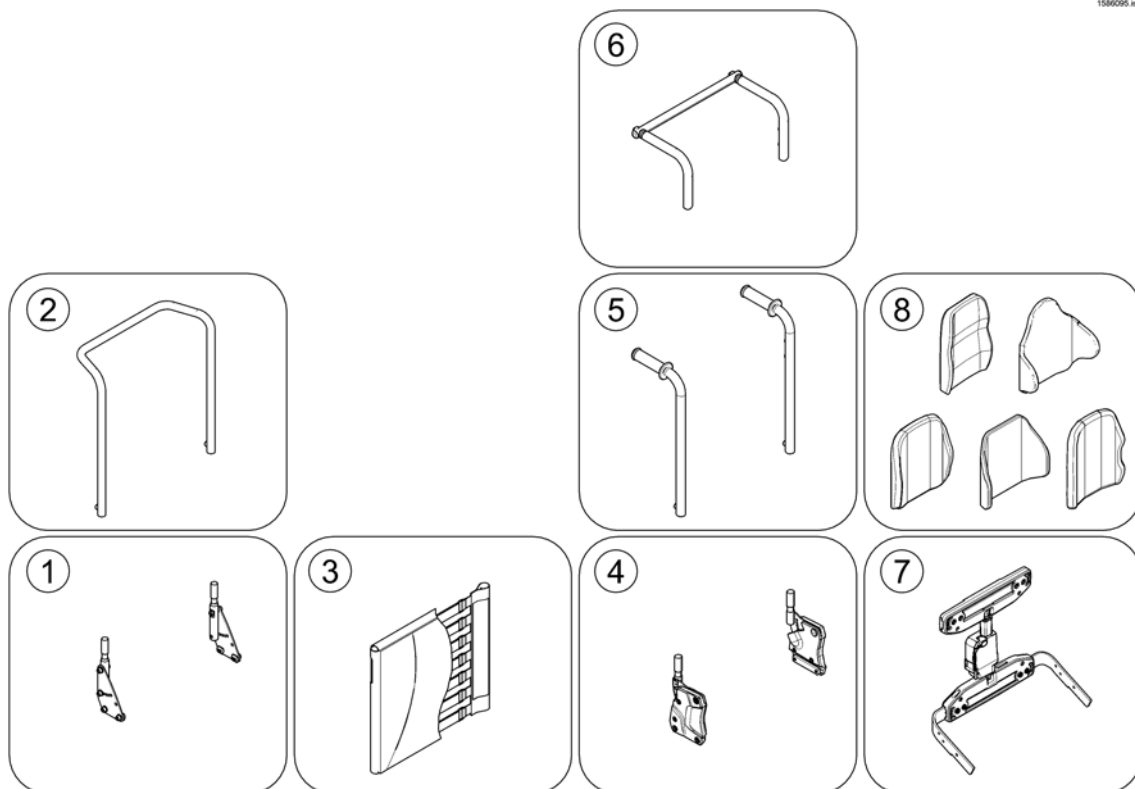
SPCTDX\_SP220.kso



Pos.	Part number	Description	Valid from → until	Qty
1	-	Backrest - Modulite Seat		1
2	-	Backrest - Ultra Low Maxx Seat		1
3	-	Backrest - Max Seat		1

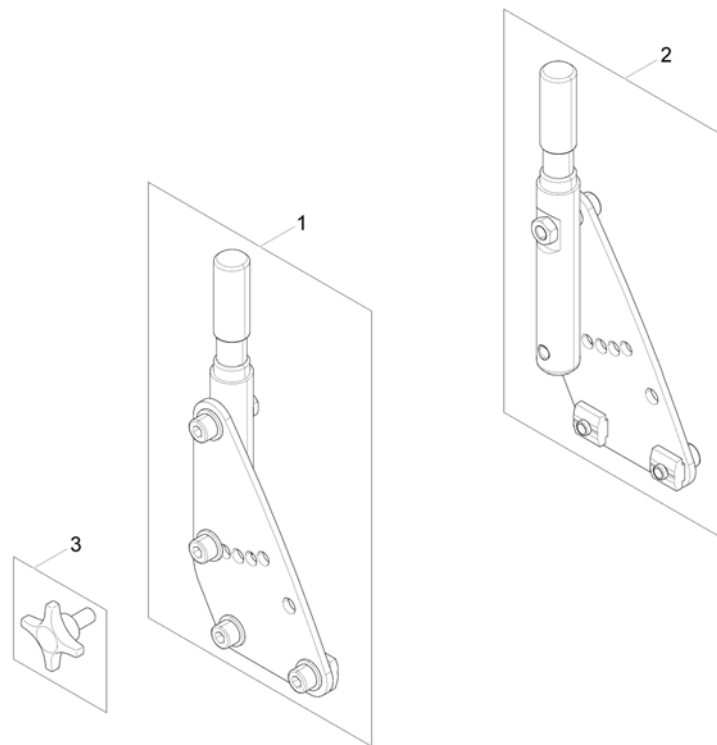
## Backrest - Modulite Seat

1586095.000



Pos.	Part number	Description	Valid from → until	Qty
1	-	Support for Backrest Frame <i>[0975+2161]</i>		1
2	-	Backrest Frame <i>[2161]</i>		1
3	-	Sling Back, tension adjustable <i>[2171]</i>		1
4	-	Backrest support		1
5	-	Backposts <i>[2162/2163]</i>		1
6	-	Connection tube <i>[1307]</i>		1
7	-	Back Recliner / Stabilization bracket <i>[0977]</i>		1
8	-	Backrest Cushions		1

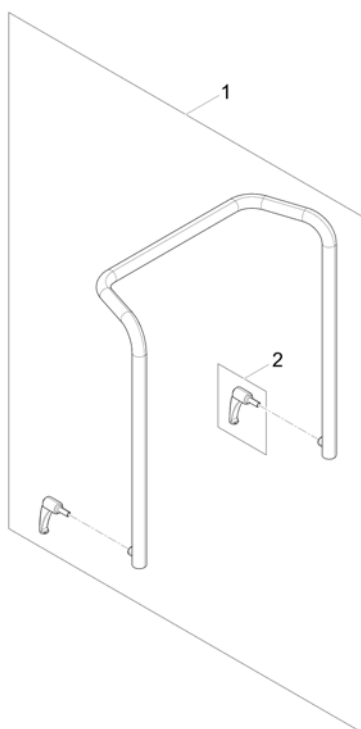
1571553.sp



Pos.	Part number	Description	Valid from → until	Qty
1	SP1571542	Backrest Support RH		1
2	SP1571553	Backrest Support LH		1
3	5824117	hand wheel M8x15 <i>(only swedish homologation)</i>		2

# Backrest Frame

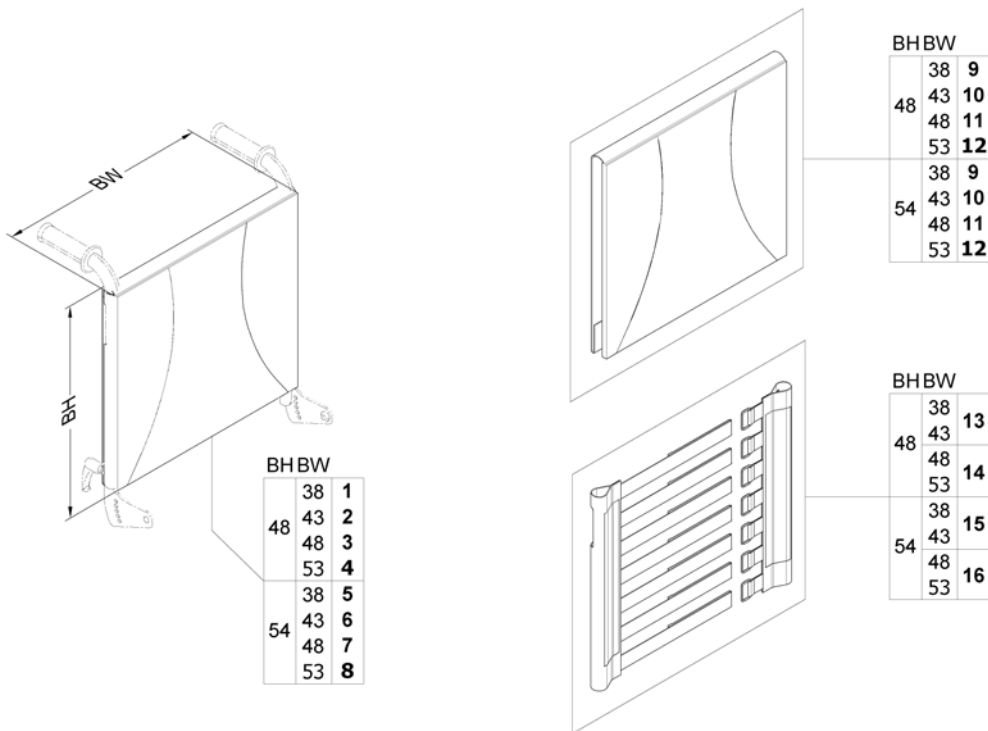
1571831.00



Pos.	Part number	Description	Valid from → until	Qty
1	SP1567810	Backrest Frame		1
2	0021-70002	Indexable lever 63mm M8x16		1

Invacare® TDX-SP2, TDX-SP2 NB | Backrest  
**Sling Back, tension adjustable**

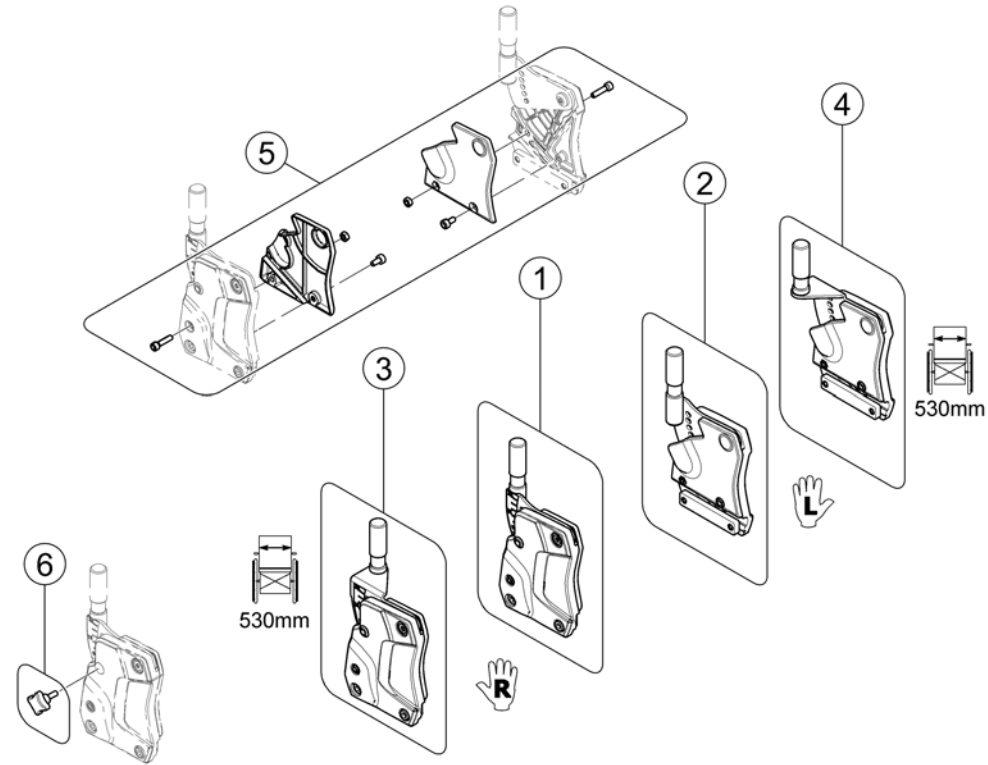
1571829.indd



Pos.	Part number	Description	Valid from → until	Qty
1	SP1567529	Sling Back, tension adjustable & Upholstery, BW 380mm / BH 480mm, cpl.		1
2	SP1567465	Sling Back, tension adjustable & upholstery, BW 430mm / BH 480mm, cpl.		1
3	SP1567530	Sling Back, tension adjustable & upholstery, BW 480mm / BH 480mm, cpl.		1
4	SP1567531	Sling Back, tension adjustable & upholstery, BW 530mm / BH 480mm, cpl.		1
5	SP1567627	Sling Back, tension adjustable & upholstery, BW 380mm / BH 540mm, cpl.		1
6	SP1567746	Sling Back, tension adjustable & upholstery, BW 430mm / BH 540mm, cpl.		1
7	SP1567747	Sling Back, tension adjustable & upholstery, BW 480mm / BH 540mm, cpl.		1
8	SP1567748	Sling Back, tension adjustable & upholstery, BW 530mm / BH 540mm, cpl.		1
9	SP1563563	Backrest upholstery		1
10	SP1563653	Backrest upholstery		1
11	SP1563654	Backrest upholstery		1
12	SP1563655	Backrest upholstery		1
13	SP1571492	Sling back		1
14	SP1571493	Sling back		1
15	SP1571494	Sling back		1
16	SP1571510	Sling back		1

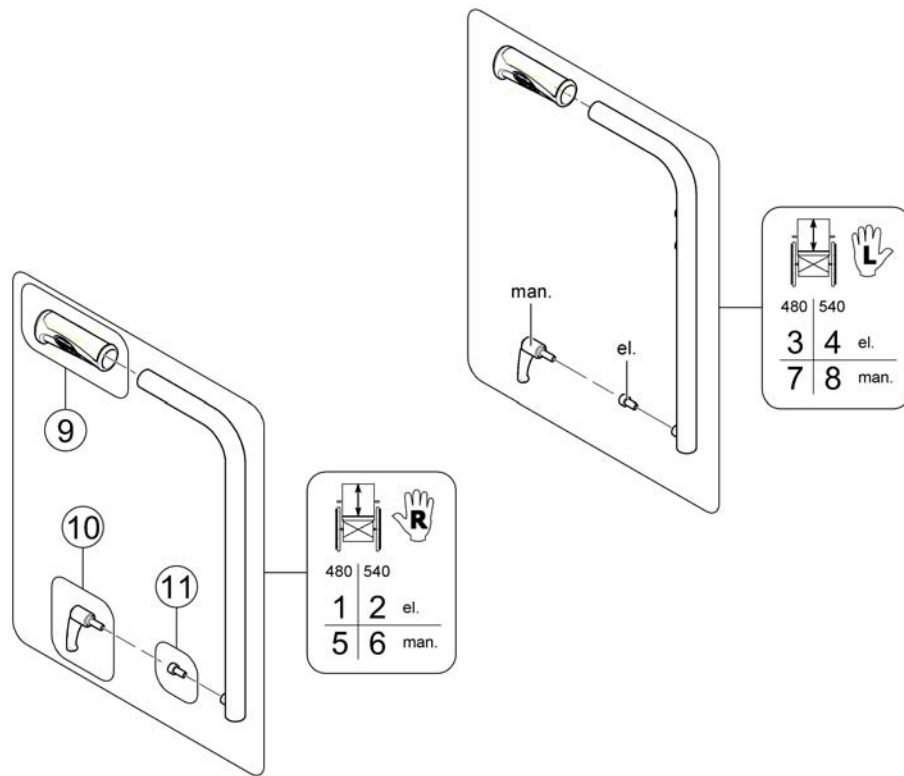
# Backrest support

1572928 Rev



Pos.	Part number	Description	Valid from → until	Qty
1	SP1582709	Backrest Support - RH <i>Compatible with Flip-Up &amp; Following Armrest [2193/2192/2194] - replaces SP1571560</i>		1
2	SP1582708	Backrest Support - LH <i>Compatible with Flip-Up &amp; Following Armrest [2193/2192/2194] - replaces SP1571561</i>		1
3	SP1582952	Backrest Support SW 530mm - RH <i>Compatible with Flip-Up &amp; Following Armrest [2193/2192/2194] - replaces SP1571568</i>		1
4	SP1582951	Backrest Support SW 530mm - LH <i>Compatible with Flip-Up &amp; Following Armrest [2193/2192/2194] - replaces SP1571569</i>		1
5	SP1571676	Cover		1
6	SP1579877	Hand Screw M6 <i>(Swedish Homologation only!)</i>	→ 2015-07-31	2
6	SP1589324	Cross handle M8, cpl. <i>(Swedish Homologation only!)</i>	2015-08-01 →	2

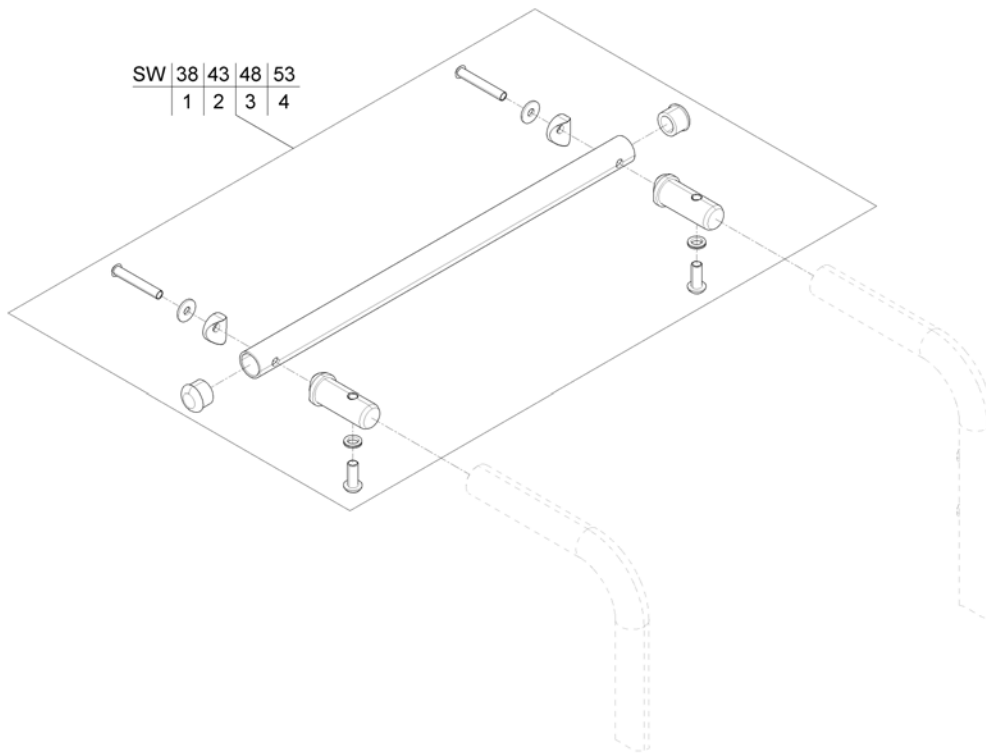
# Backposts



Pos.	Part number	Description	Valid from → until	Qty
1	SP1587177	Backpost el. BH 480mm - RH <i>Compatible with Flip-Up &amp; Following Armrest [2193/2192/2194] - replaces SP1563102</i>		1
2	SP1587184	Backpost el. BH 540mm - RH <i>Compatible with Flip-Up &amp; Following Armrest [2193/2192/2194] - replaces SP1563103</i>		1
3	SP1587176	Backpost el. BH 480mm - LH <i>Compatible with Flip-Up &amp; Following Armrest [2193/2192/2194] - replaces SP1560576</i>		1
4	SP1587183	Backpost el. BH 540mm - LH <i>Compatible with Flip-Up &amp; Following Armrest [2193/2192/2194] - replaces SP1559578</i>		1
5	SP1587163	Backpost man. BH 480mm - RH <i>Compatible with Flip-Up &amp; Following Armrest [2193/2192/2194] - replaces SP1572489</i>		1
6	SP1587182	Backpost man. BH 540mm - RH <i>Compatible with Flip-Up &amp; Following Armrest [2193/2192/2194] - replaces SP1572490</i>		1
7	SP1587162	Backpost man. BH 480mm - LH <i>Compatible with Flip-Up &amp; Following Armrest [2193/2192/2194] - replaces SP1572491</i>		1
8	SP1587178	Backpost man. BH 540mm - LH <i>Compatible with Flip-Up &amp; Following Armrest [2193/2192/2194] - replaces SP1572492</i>		1
9	SP1586122	Handles (pair) <i>replaces item SP1563651</i>		1
10	0021-70002	Indexable lever 63mm M8x16		1
11	1567999	Bolt M8x16 8.8 black DIN912		1

## Connection tube

1571835 no

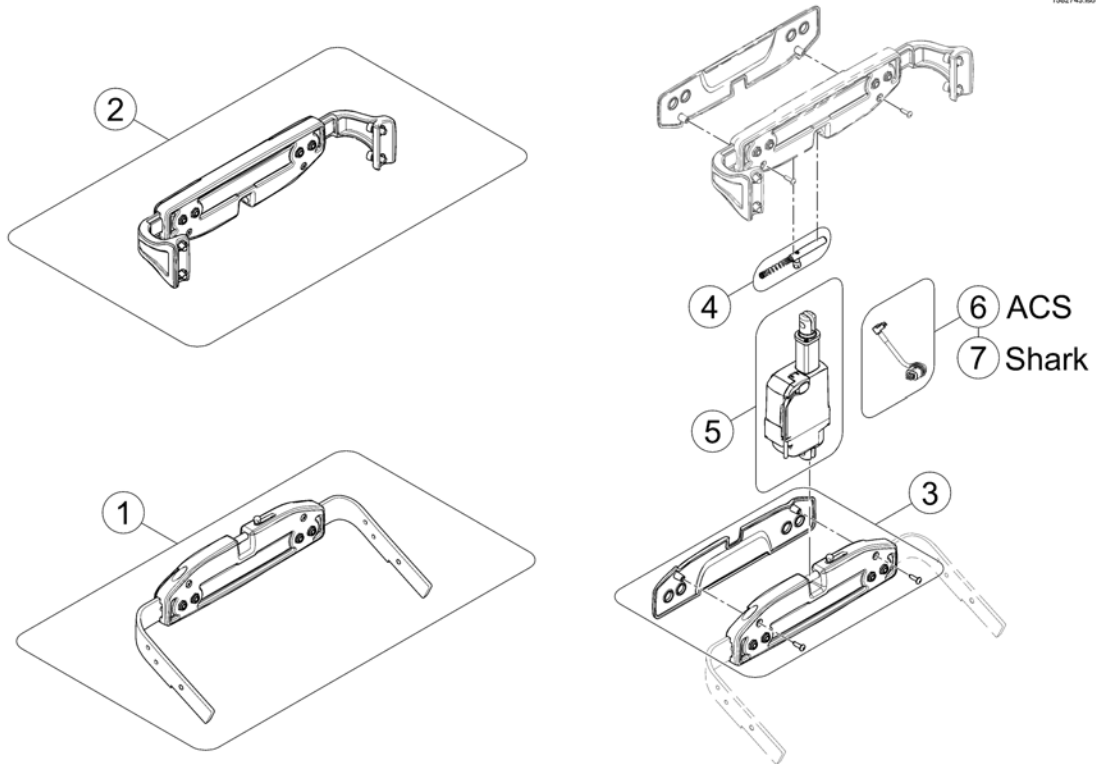


Pos.	Part number	Description	Valid from → until	Qty
1	SP1570370	Connection tube		1
2	SP1570371	Connection tube		1
3	SP1570372	Connection tube		1
4	SP1570373	Connection tube		1



## Back Recliner / Stabilization bracket

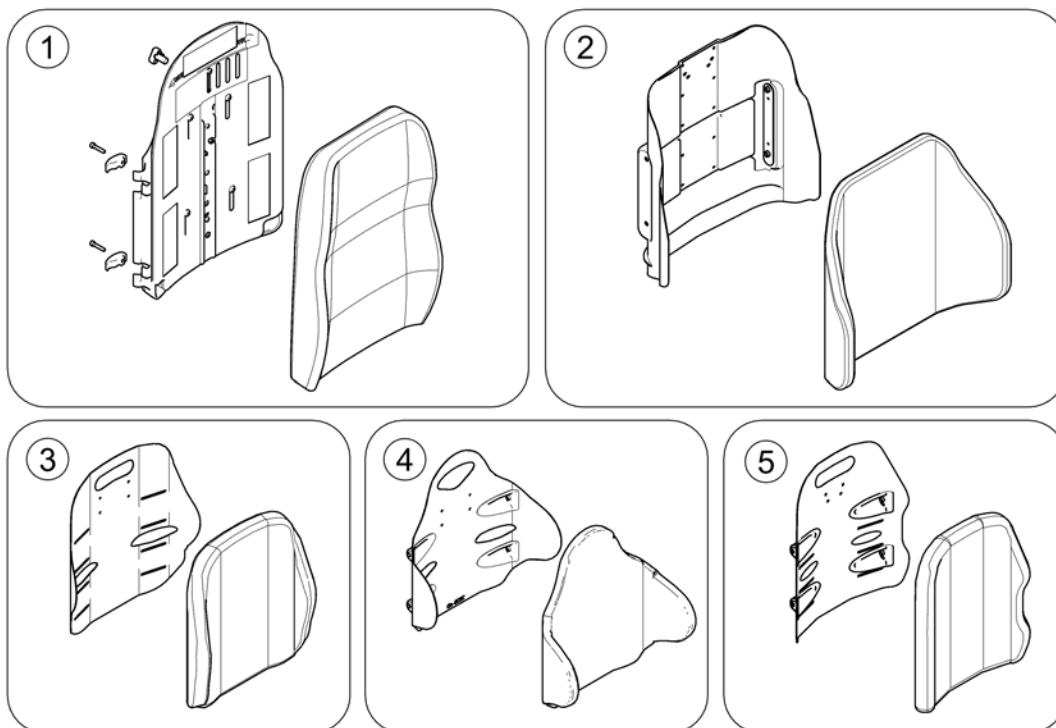
1562743.kso



Pos.	Part number	Description	Valid from → until	Qty
1	SP1567169	Actuator bracket (pre set to SW 43cm)		1
2	SP1567168	Stabilization bracket (pre set to SW 43cm)		1
3	SP1571702	Cover		1
4	SP1571704	Locking bolt		1
5	SP1557820	Actuator		1
6	SP1572166	Actuator Cable LA23 ACS2 (~950mm)		1
7	SP1552297	Actuator Cable LA23 Shark (~500mm)		1

## Backrest Cushions

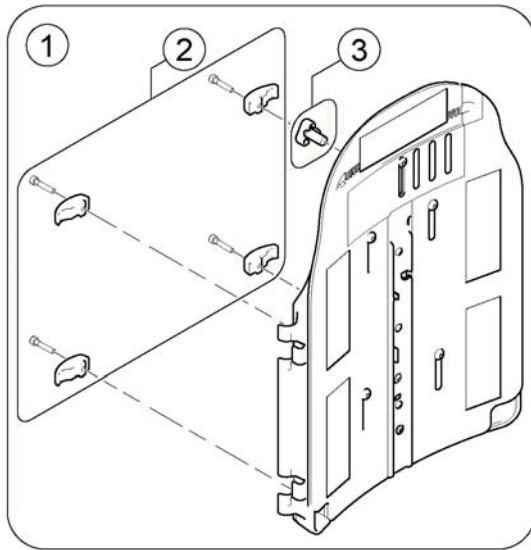
1588915.iss



Pos.	Part number	Description	Valid from → until	Qty
1	-	Flex 3 / Laguna		1
2	-	Matrx Posture Back		1
3	-	Matrx Elite T/R Back	2015-07-01 →	1
4	-	Matrx Elite Deep Back	2015-07-01 →	1
5	-	Matrx Elite (Full) Back		1

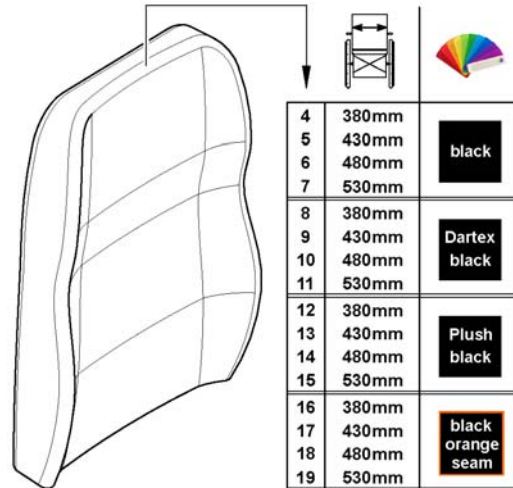
# Flex 3 / Laguna

1573106.mw



**Flex 3**

## Laguna



Pos.	Part number	Description	Valid from → until	Qty
1	SP1568489	Flex3 backrest plate <i>[2172]</i>		1
2	SP1572321	Clamps		1
3	1497411	HANDWHEEL M12 LONG NECK/HEADREST		1
4	SP1529585	Backrest Cushion Laguna / EasyAdapt, black - SW 380mm <i>[2173+2151]</i>		1
5	SP1529586	Backrest Cushion Laguna / EasyAdapt, black - SW 430mm <i>[2173+2151]</i>		1
6	SP1529587	Backrest Cushion Laguna / EasyAdapt, black - SW 480mm <i>[2173+2151]</i>		1
7	SP1529596	Backrest Cushion Laguna / EasyAdapt, black - SW 530mm <i>[2173+2151]</i>		1
8	SP1529538-TR26	Backrest Cushion Laguna / EasyAdapt, Dartex black - SW 380mm <i>[2173+2152]</i>		1
9	SP1529539-TR26	Backrest Cushion Laguna / EasyAdapt, Dartex black - SW 430mm <i>[2173+2152]</i>		1
10	SP1529540-TR26	Backrest Cushion Laguna / EasyAdapt, Dartex black - SW 480mm <i>[2173+2152]</i>		1
11	SP1529545-TR26	Backrest Cushion Laguna / EasyAdapt, Dartex black - SW 530mm <i>[2173+2152]</i>		1
12	SP1529538-TR35	Backrest Cushion Laguna, Plush black - SW 380mm <i>[2173+2154]</i>		1
13	SP1529539-TR35	Backrest Cushion Laguna, Plush black - SW 430mm <i>[2173+2154]</i>		1
14	SP1529540-TR35	Backrest Cushion Laguna, Plush black - SW 480mm <i>[2173+2154]</i>		1
15	SP1529545-TR35	Backrest Cushion Laguna, Plush black - SW 530mm <i>[2173+2154]</i>		1
16	SP1529538	Backrest Cushion Laguna / EasyAdapt, black with orange seam - SW 380mm <i>[2173+2153]</i>		1
17	SP1529539	Backrest Cushion Laguna / EasyAdapt, black with orange seam - SW 430mm <i>[2173+2153]</i>		1
18	SP1529540	Backrest Cushion Laguna / EasyAdapt, black with orange seam - SW 480mm <i>[2173+2153]</i>		1

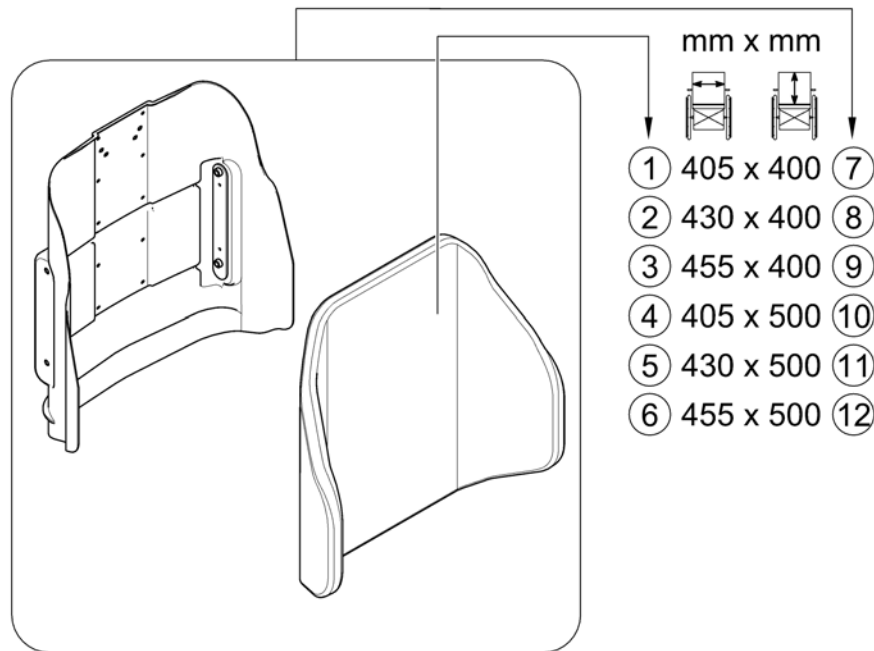
## Flex 3 / Laguna

Pos.	Part number	Description	Valid from → until	Qty
19	SP1529545	Backrest Cushion Laguna / EasyAdapt, black with orange seam - SW 530mm [2173+2153]		1

## Matrx Posture Back

158885 Rev

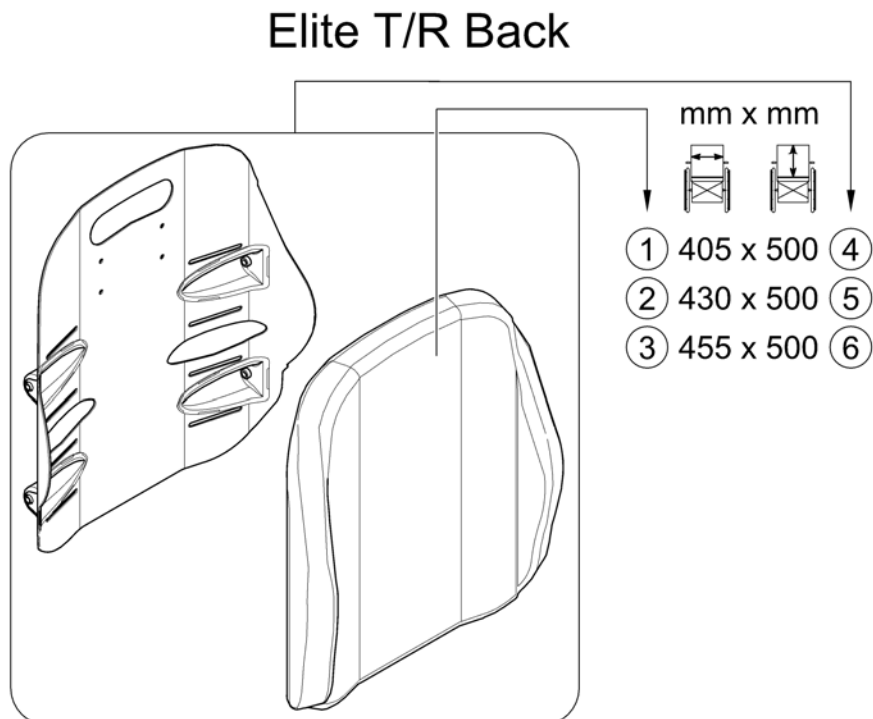
### Posture Back



Pos.	Part number	Description	Valid from → until	Qty
1	SPTRS0139-1616	Backrest Cushion - Posture Back 405x400mm (16x16")		1
2	SPTRS0139-1716	Backrest Cushion - Posture Back 430x400mm (17x16")		1
3	SPTRS0139-1816	Backrest Cushion - Posture Back 455x400mm (18x16")		1
4	1544897	Backrest Cushion - Posture Back 405x500mm (16x20")		1
5	SPTRS0139-1720	Backrest Cushion - Posture Back 430x500mm (17x20")		1
6	SPTRS0139-1820	Backrest Cushion - Posture Back 455x500mm (18x20")		1
7	SP1531762	Backrest, Matrx Posture Back 16x16", cpl. [2174]		1
8	SP1531792	Backrest, Matrx Posture Back 17x16", cpl. [2174]		1
9	SP1531822	Backrest, Matrx Posture Back 18x16", cpl. [2174]		1
10	SP1531763	Backrest, Matrx Posture Back 16x20", cpl. [2175]		1
11	SP1531793	Backrest, Matrx Posture Back 17x20", cpl. [2175]		1
12	SP1531823	Backrest, Matrx Posture Back 18x20", cpl. [2175]		1

## Matrx Elite T/R Back

1588888 Rev

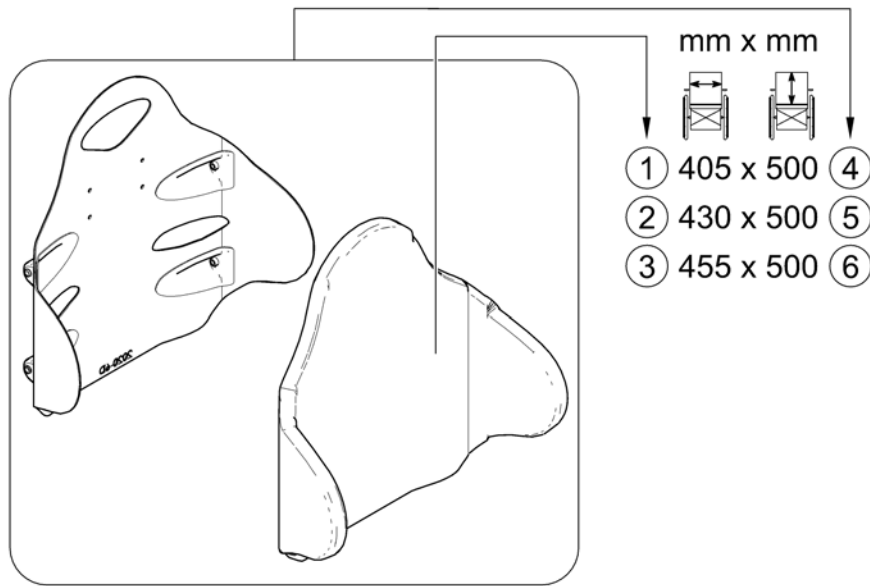


Pos.	Part number	Description	Valid from → until	Qty
1	SPTRS0375-1620	Backrest Cushion - Elite T/R Back 405x500mm (16x20")		1
2	SPTRS0375-1720	Backrest Cushion - Elite T/R Back 430x500mm (17x20")		1
3	SPTRS0375-1820	Backrest Cushion - Elite T/R Back 455x500mm (18x20")		1
4	SP1588270	Backrest, Matrx Elite T/R Back 16x20", cpl. [2177+2121]		1
5	SP1588271	Backrest, Matrx Elite T/R Back 17x20", cpl. [2177+2122]		1
6	SP1588272	Backrest, Matrx Elite T/R Back 18x20", cpl. [2177+2123]		1

# Matrx Elite Deep Back

1588713 Rev

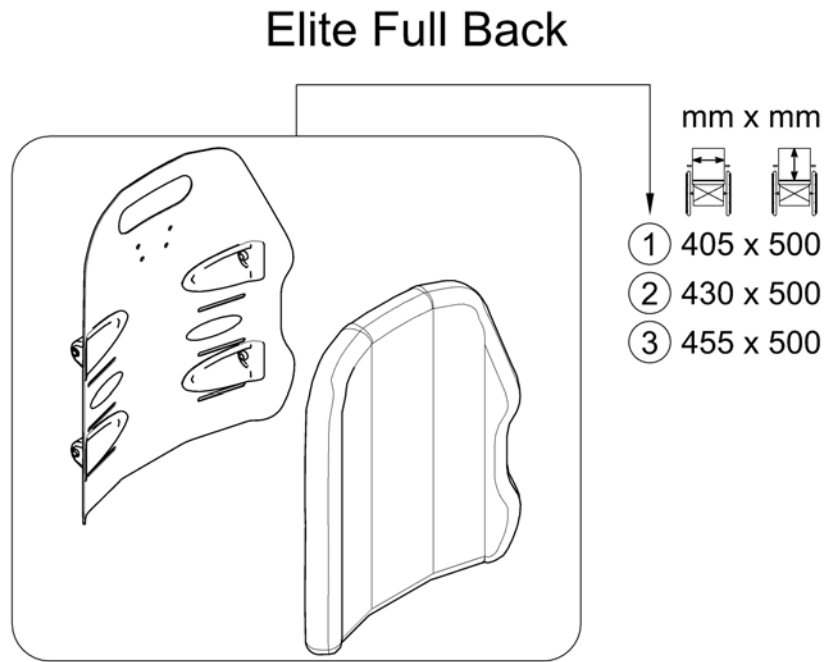
## Elite Deep Back



Pos.	Part number	Description	Valid from → until	Qty
1	SPTRS0344-1620	Backrest Cushion - Elite Deep Back 405x500mm (16x20")		1
2	SPTRS0344-1720	Backrest Cushion - Elite Deep Back 430x500mm (17x20")		1
3	SPTRS0344-1820	Backrest Cushion - Elite Deep Back 455x500mm (18x20")		1
4	SP1588273	Backrest, Matrx Elite Deep Back 16x20", cpl. [2178+2121]		1
5	SP1588274	Backrest, Matrx Elite Deep Back 17x20", cpl. [2178+2122]		1
6	SP1588275	Backrest, Matrx Elite Deep Back 18x20", cpl. [2178+2123]		1

# Matrx Elite (Full) Back

1588714.00

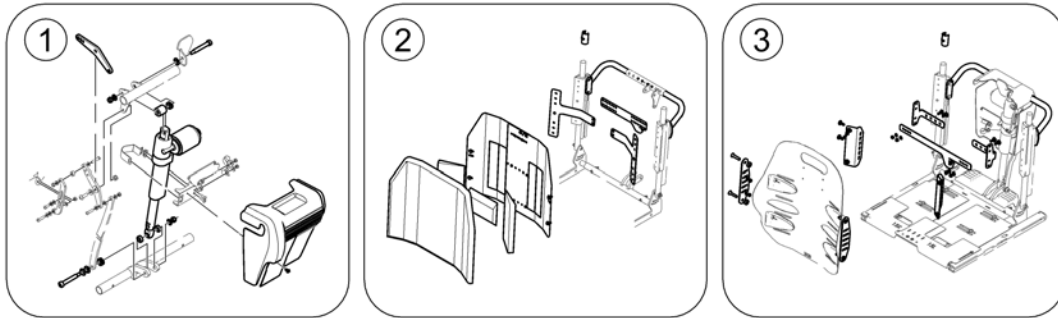


Pos.	Part number	Description	Valid from → until	Qty
1	SP1531824	Backrest, Matrx Elite (Full) Back 16x20", cpl. <i>[2176]</i>		1
2	SP1531831	Backrest, Matrx Elite (Full) Back 17x20", cpl. <i>[2176]</i>		1
3	SP1531832	Backrest, Matrx Elite (Full) Back 18x20", cpl. <i>[2176]</i>		1



Invacare® TDX-SP2, TDX-SP2 NB | Backrest  
**Backrest - Ultra Low Maxx Seat**

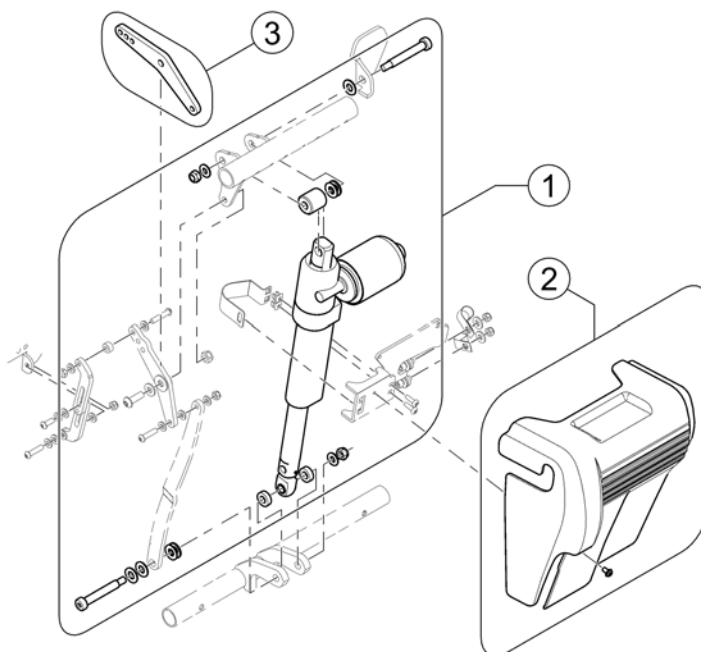
156815.iss



Pos.	Part number	Description	Valid from → until	Qty
-		Backrest Recliner		1
-		High Back		1
-		Matrix Back		1

# Backrest Recliner

1588154 Rev

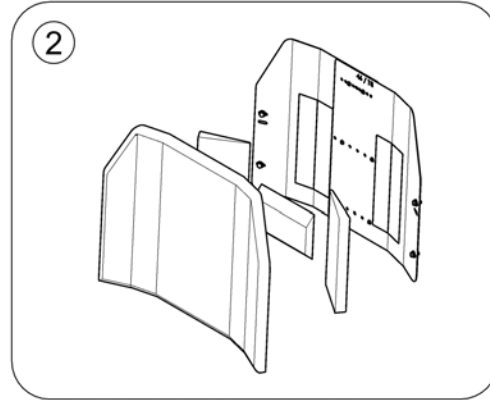
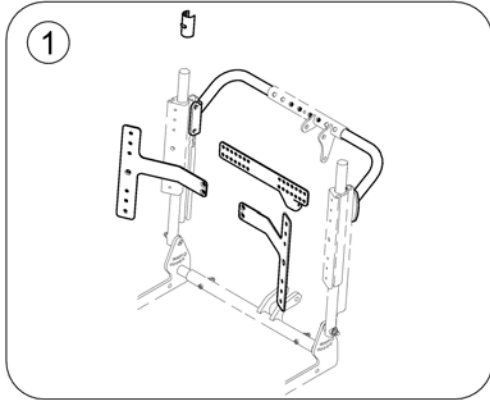


Pos.	Part number	Description	Valid from → until	Qty
1	SPTRC2191	Backrest Recliner with Hardware		1
2	SPTRC2138	Backrest shroud with mounting hardware		1
3	SPTRC1926	Backrest Preline Crankarm 30°		1
-	SPTRE0322	Actuator Cable, Backrest Recliner		1

# High Back

1588155.kim

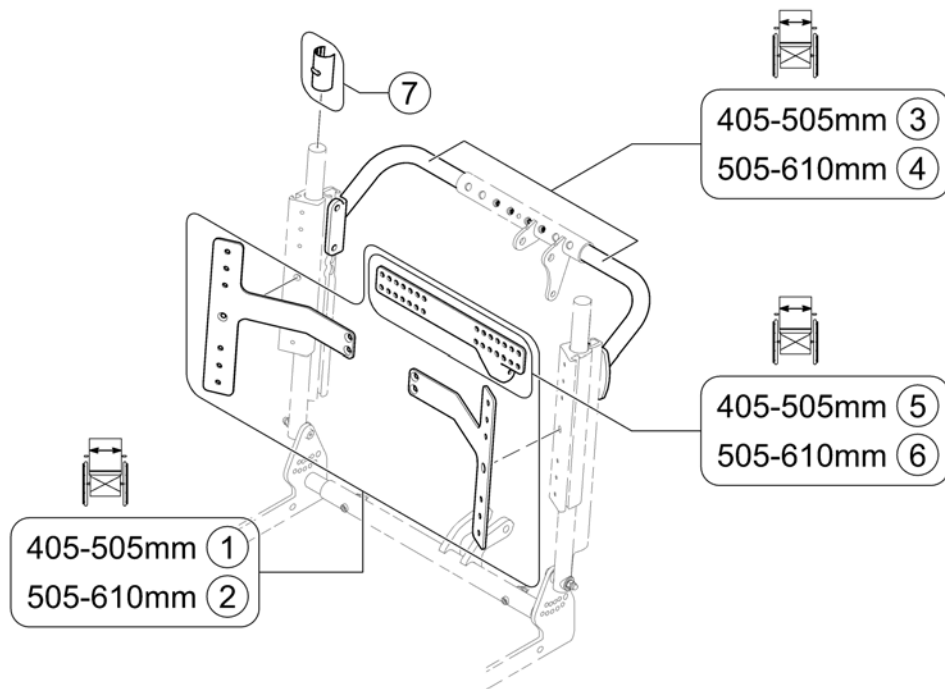
## High Back



Pos.	Part number	Description	Valid from → until	Qty
1	-	Backrest Hardware		1
2	-	Backrest Cushions		1

## Backrest Hardware

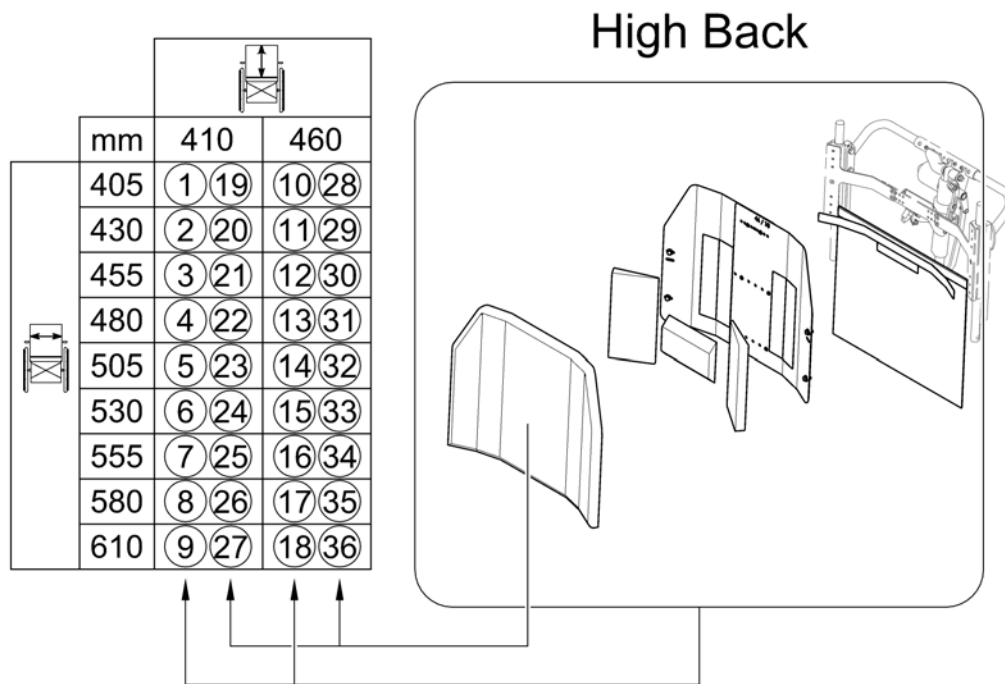
158200 Rev



Pos.	Part number	Description	Valid from → until	Qty
1	SPTRC2136	High Back Interface Kit SW 405-505mm (16-20")		1
2	SPTRC2137	High Back Interface Kit SW 505-610mm (19-24")		1
3	SPTRC2188	Push Bars SW 405-505mm (16-20")		1
4	SPTRC2190	Push Bars SW 505-610mm (19-24")		1
5	SPTRX8497	High Back Center Plate SW 405-505mm (16-20")		1
6	SPTRX8655	High Back Center Plate SW 505-610mm (19-24")		1
7	SPTRX7883	Linear Bearing		4

# Backrest Cushions

158201 no



Pos.	Part number	Description	Valid from → until	Qty
1	SP1583769	High Back 405x410mm (16x16"), cpl.		1
2	SP1583772	High Back 430x410mm (17x16"), cpl.		1
3	SP1583774	High Back 405x410mm (18x16"), cpl.		1
4	SP1583857	High Back 480x410mm (19x16"), cpl.		1
5	SP1583930	High Back 505x410mm (20x16"), cpl.		1
6	SP1583932	High Back 530x410mm (21x16"), cpl.		1
7	SP1584053	High Back 555x410mm (22x16"), cpl.		1
8	SP1584055	High Back 580x410mm (23x16"), cpl.		1
9	SP1584081	High Back 610x410mm (24x16"), cpl.		1
10	SP1583771	High Back 405x460mm (16x18"), cpl.		1
11	SP1583773	High Back 430x460mm (17x18"), cpl.		1
12	SP1583775	High Back 455x460mm (18x18"), cpl.		1
13	SP1583858	High Back 480x460mm (19x18"), cpl.		1
14	SP1583931	High Back 505x460mm (20x18"), cpl.		1
15	SP1583934	High Back 530x460mm (21x18"), cpl.		1
16	SP1584054	High Back 555x460mm (22x18"), cpl.		1
17	SP1584056	High Back 580x460mm (23x18"), cpl.		1
18	SP1584118	High Back 610x460mm (24x18"), cpl.		1
19	SPTRS0425-1616	High Back Cover and foam 405x410mm (16x16")		1
20	SPTRS0425-1716	High Back Cover and foam 430x410mm (17x16")		1
21	SPTRS0425-1816	High Back Cover and foam 455x410mm (18x16")		1
22	SPTRS0425-1916	High Back Cover and foam 480x410mm (19x16")		1
23	SPTRS0425-2016	High Back Cover and foam 505x410mm (20x16")		1
24	SPTRS0425-2116	High Back Cover and foam 530x410mm (21x16")		1
25	SPTRS0425-2216	High Back Cover and foam 555x410mm (22x16")		1
26	SPTRS0425-2316	High Back Cover and foam 580x410mm (23x16")		1
27	SPTRS0425-2416	High Back Cover and foam 610x410mm (24x16")		1
28	SPTRS0425-1618	High Back Cover and foam 405x460mm (16x18")		1
29	SPTRS0425-1718	High Back Cover and foam 430x460mm (17x18")		1
30	SPTRS0425-1818	High Back Cover and foam 455x460mm (18x18")		1
31	SPTRS0425-1918	High Back Cover and foam 480x460mm (19x18")		1

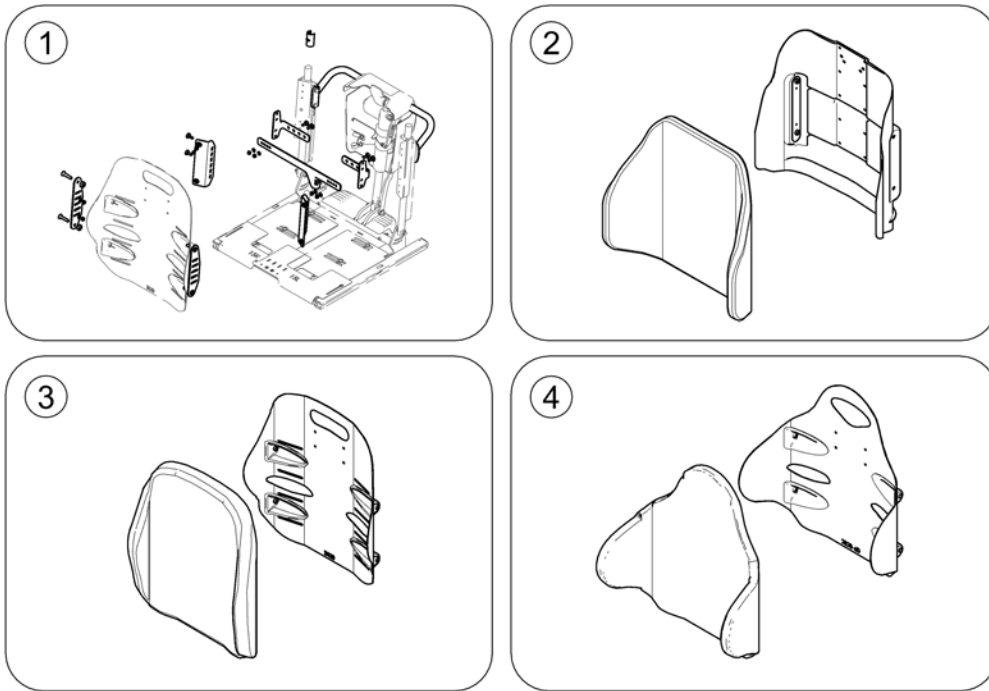
## Backrest Cushions

Pos.	Part number	Description	Valid from → until	Qty
32	SPTRS0425-2018	High Back Cover and foam 505x460mm (20x18")		1
33	SPTRS0425-2118	High Back Cover and foam 430x460mm (21x18")		1
34	SPTRS0425-2218	High Back Cover and foam 455x460mm (22x18")		1
35	SPTRS0425-2318	High Back Cover and foam 480x460mm (23x18")		1
36	SPTRS0425-2418	High Back Cover and foam 610x460mm (24x18")		1

# Matrx Back

1588240 Rev

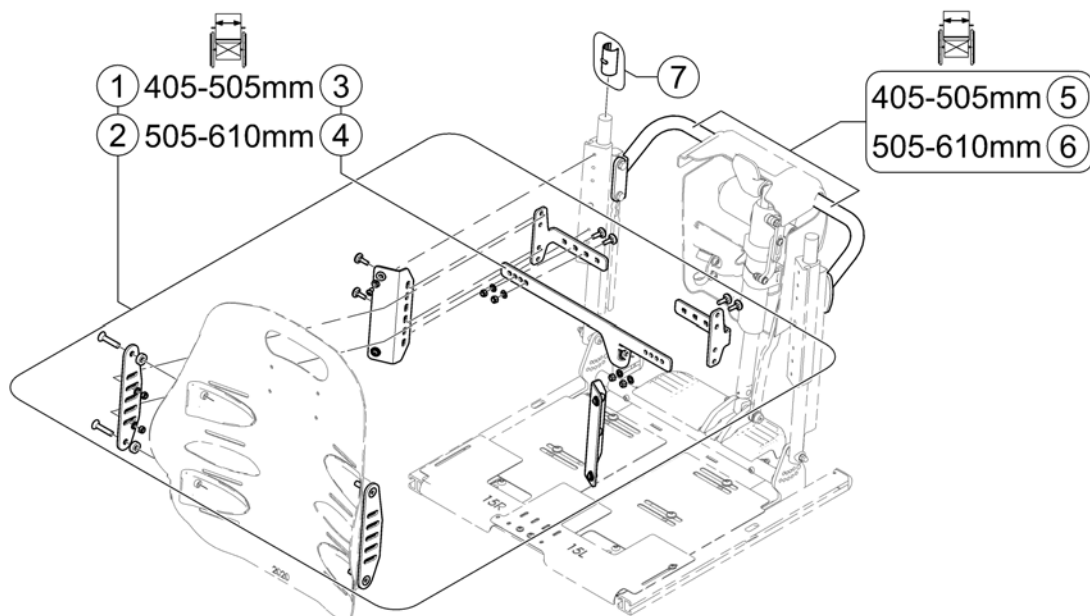
## Matrx Back



Pos.	Part number	Description	Valid from → until	Qty
1	-	Backrest Hardware		1
2	-	Posture Back		1
3	-	Elite T/R Back		1
4	-	Elite Deep Back		1
-	-	Privacy Flaps		1

## Backrest Hardware

158203 Rev



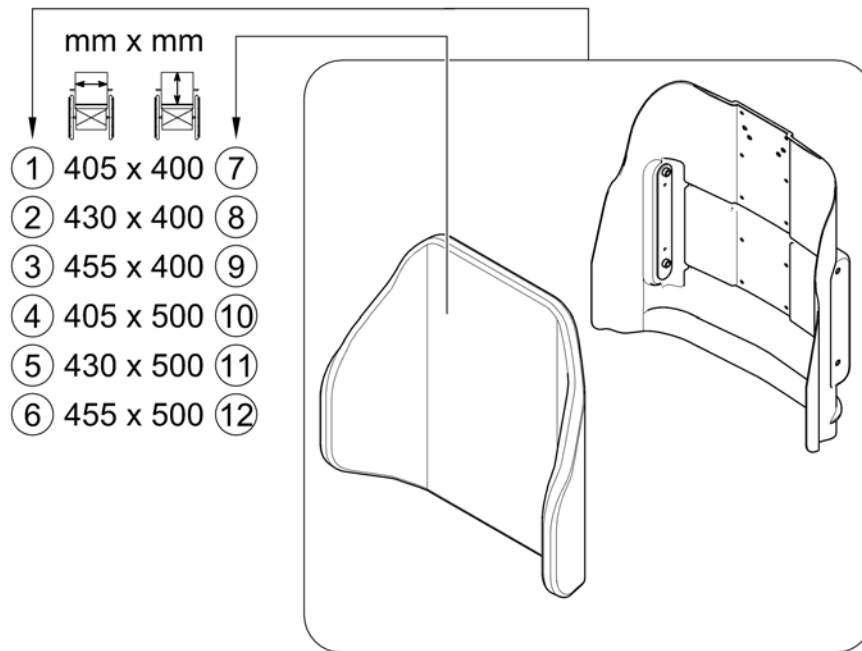
Pos.	Part number	Description	Valid from → until	Qty
1	SPTRC1951	Matrx Back Interface Kit SW 405-505mm (16-20")		1
2	SPTRC2095	Matrx Back Interface Kit SW 505-610mm (19-24")		1
3	SPTRX8299	Matrx Center Plate SW 405-505mm (16-20")		1
4	SPTRX8779	Matrx Center Plate SW 505-610mm (19-24")		1
5	SPTRC2188	Push Bars SW 405-505mm (16-20")		1
6	SPTRC2190	Push Bars SW 505-610mm (19-24")		1
7	SPTRX7883	Linear Bearing		1



# Posture Back

158204 Rev

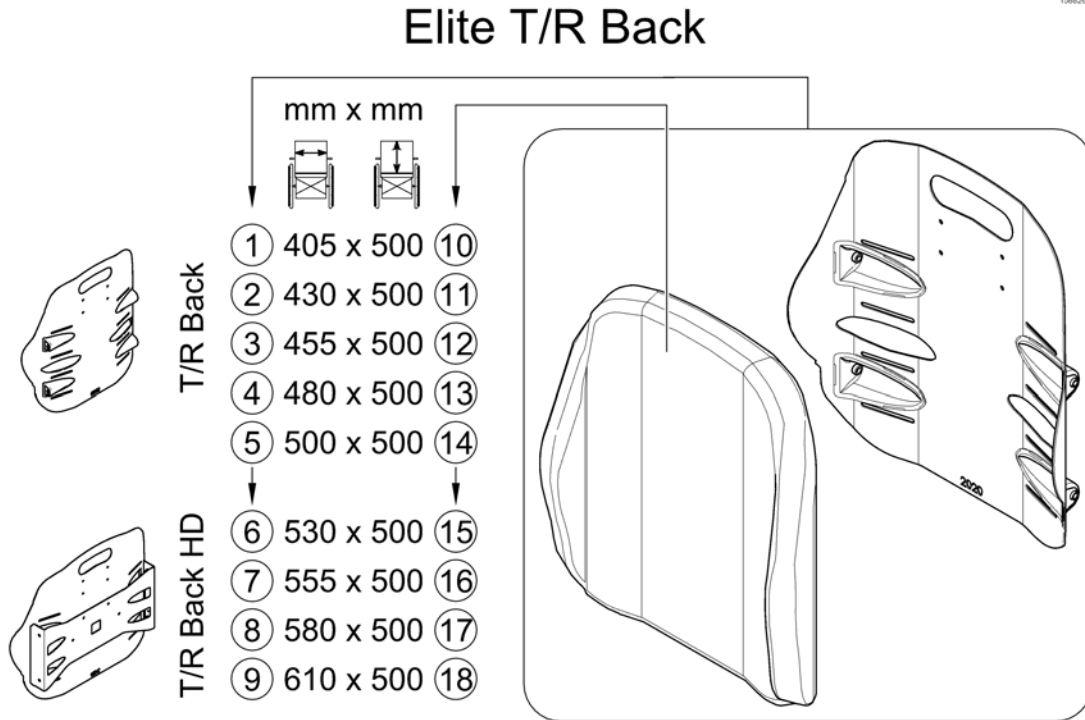
## Posture Back



Pos.	Part number	Description	Valid from → until	Qty
1	SP1515727	Posture Back 405x400mm (16x16"), cpl.		1
2	SP1515729	Posture Back 430x400mm (17x16"), cpl.		1
3	SP1515731	Posture Back 455x400mm (18x16"), cpl.		1
4	SP1515728	Posture Back 405x500mm (16x20"), cpl.		1
5	SP1515730	Posture Back 430x500mm (17x20"), cpl.		1
6	SP1515732	Posture Back 455x500mm (18x20"), cpl.		1
7	SPTRS0139-1616	Backrest Cushion - Posture Back 405x400mm (16x16")		1
8	SPTRS0139-1716	Backrest Cushion - Posture Back 430x400mm (17x16")		1
9	SPTRS0139-1816	Backrest Cushion - Posture Back 455x400mm (18x16")		1
10	1544897	Backrest Cushion - Posture Back 405x500mm (16x20")		1
11	SPTRS0139-1720	Backrest Cushion - Posture Back 430x500mm (17x20")		1
12	SPTRS0139-1820	Backrest Cushion - Posture Back 455x500mm (18x20")		1

# Elite T/R Back

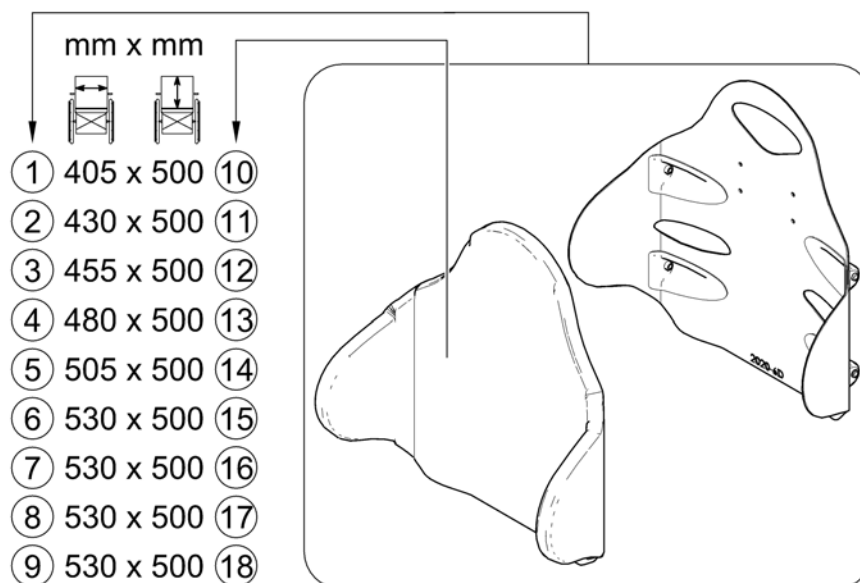
158207 Rev



Pos.	Part number	Description	Valid from → until	Qty
1	SP1580029	Elite T/R Back 405x500mm (16x20"), cpl.		1
2	SP1580030	Elite T/R Back 430x500mm (17x20"), cpl.		1
3	SP1580031	Elite T/R Back 455x500mm (18x20"), cpl.		1
4	SP1580032	Elite T/R Back 480x500mm (19x20"), cpl.		1
5	SP1580033	Elite T/R Back 505x500mm (20x20"), cpl.		1
6	SP1584160	Elite T/R Back HD 530x500mm (21x20"), cpl.		1
7	SP1584178	Elite T/R Back HD 555x500mm (22x20"), cpl.		1
8	SP1584180	Elite T/R Back HD 580x500mm (23x20"), cpl.		1
9	SP1584182	Elite T/R Back HD 610x500mm (24x20"), cpl.		1
10	SPTRS0375-1620	Backrest Cushion - Elite T/R Back 405x500mm (16x20")		1
11	SPTRS0375-1720	Backrest Cushion - Elite T/R Back 430x500mm (17x20")		1
12	SPTRS0375-1820	Backrest Cushion - Elite T/R Back 455x500mm (18x20")		1
13	SPTRS0375-1920	Backrest Cushion - Elite T/R Back 480x500mm (19x20")		1
14	SPTRS0375-2020	Backrest Cushion - Elite T/R Back 505x500mm (20x20")		1
15	SPTRS0375-2120	Backrest Cushion - Elite T/R Back HD 530x500mm (21x20")		1
16	SPTRS0375-2220	Backrest Cushion - Elite T/R Back HD 555x500mm (22x20")		1
17	SPTRS0375-2320	Backrest Cushion - Elite T/R Back HD 580x500mm (23x20")		1
18	SPTRS0375-2420	Backrest Cushion - Elite T/R Back HD 610x500mm (24x20")		1

**Elite Deep Back**

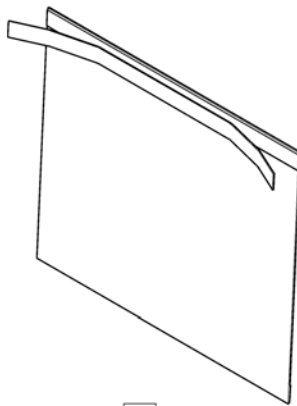
158208 Rev

**Elite Deep Back**

Pos.	Part number	Description	Valid from → until	Qty
1	SP1543515	Elite Deep Back 405x500mm (16x20"), cpl.		1
2	SP1543519	Elite Deep Back 430x500mm (17x20"), cpl.		1
3	SP1543523	Elite Deep Back 455x500mm (18x20"), cpl.		1
4	SP1543987	Elite Deep Back 480x500mm (19x20"), cpl.		1
5	SP1543991	Elite Deep Back 505x500mm (20x20"), cpl.		1
6	SP1584177	Elite Deep Back 530x500mm (21x20"), cpl.		1
7	SP1584179	Elite Deep Back 555x500mm (22x20"), cpl.		1
8	SP1584181	Elite Deep Back 580x500mm (23x20"), cpl.		1
9	SP1583933	Elite Deep Back 610x500mm (24x20"), cpl.		1
10	SPTRS0344-1620	Backrest Cushion - Elite Deep Back 405x500mm (16x20")		1
11	SPTRS0344-1720	Backrest Cushion - Elite Deep Back 430x500mm (17x20")		1
12	SPTRS0344-1820	Backrest Cushion - Elite Deep Back 455x500mm (18x20")		1
13	SPTRS0344-1920	Backrest Cushion - Elite Deep Back 480x500mm (19x20")		1
14	SPTRS0344-2020	Backrest Cushion - Elite Deep Back 500x500mm (20x20")		1
15	SPTRS0344-2120	Backrest Cushion - Elite Deep Back 530x500mm (21x20")		1
16	SPTRS0344-2220	Backrest Cushion - Elite Deep Back 555x500mm (22x20")		1
17	SPTRS0344-2320	Backrest Cushion - Elite Deep Back 580x500mm (23x20")		1
18	SPTRS0344-2420	Backrest Cushion - Elite Deep Back 610x500mm (24x20")		1

# Privacy Flaps

1558496.iss

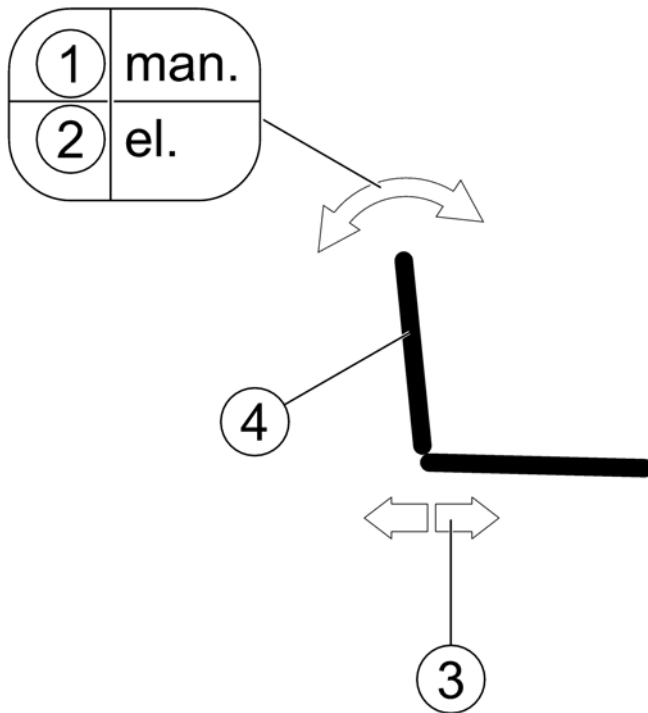


405/430mm	①
455/480mm	②
505/530mm	③

Pos.	Part number	Description	Valid from → until	Qty
1	SP1551800	Privacy Flap SW 405/430mm		1
2	SP1551903	Privacy Flap SW 455/480mm		1
3	SP1551904	Privacy Flap SW 505/530mm		1

# Backrest - Max Seat

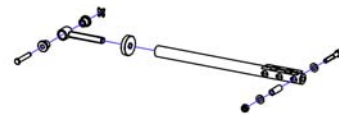
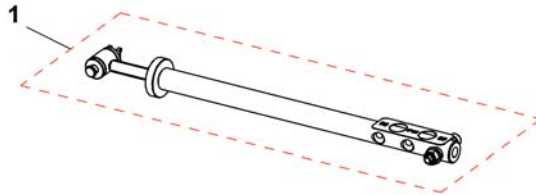
1582669.iso



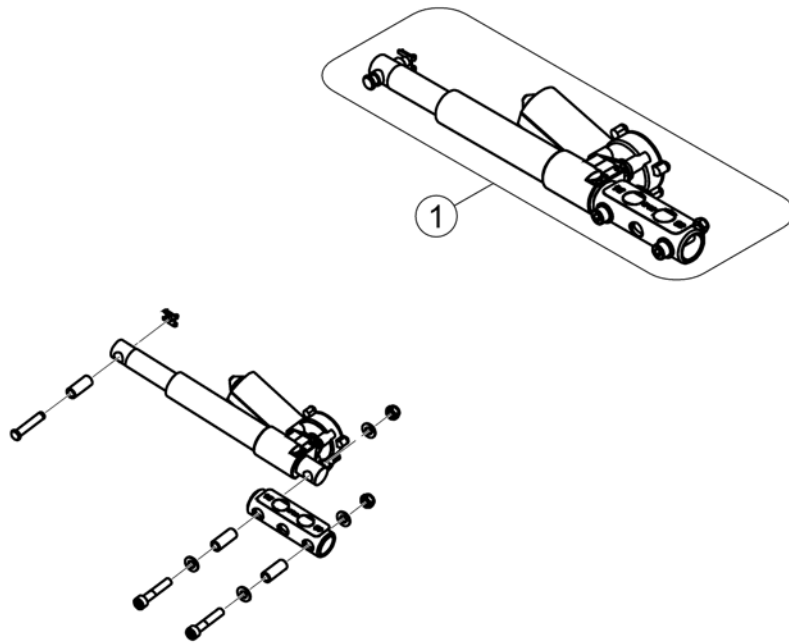
Pos.	Part number	Description	Valid from → until	Qty
1	-	Manual backrest adjustment		1
2	-	Powered backrest adjustment		1
3	-	Seat depth adapter		1
4	-	Backrest		1

# Manual backrest adjustment

1545185.jpg



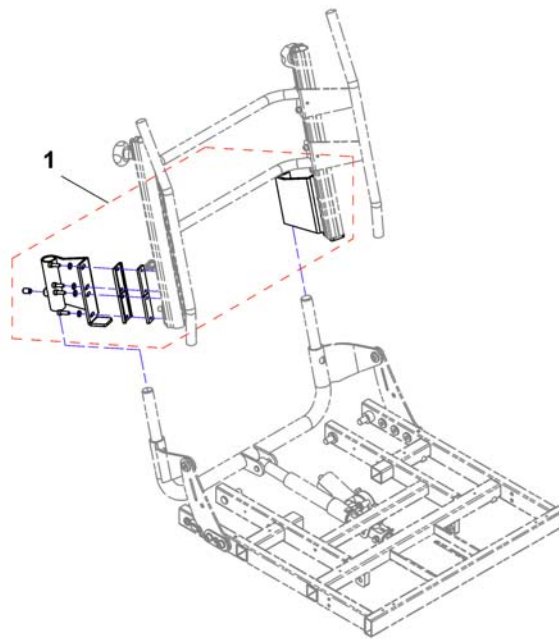
Pos.	Part number	Description	Valid from → until	Qty
1	SP1545185	Spindle, backrest adjustment, cpl.		1



Pos.	Part number	Description	Valid from → until	Qty
1	SP1544669	Actuator, cpl.		1

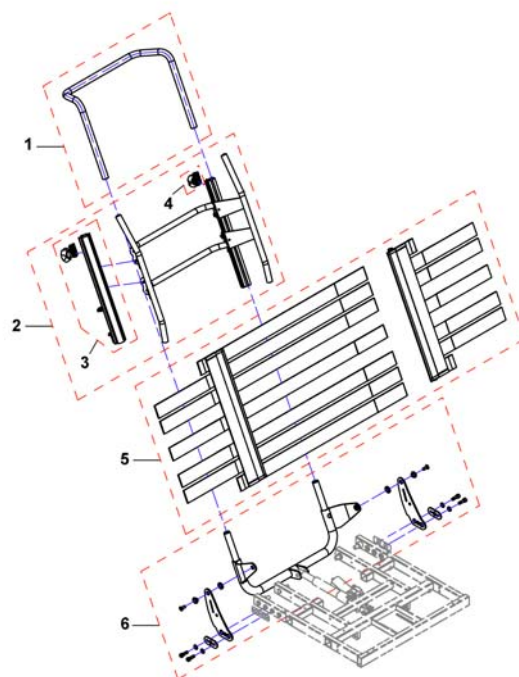
# Seat depth adapter

1551724-01



Pos.	Part number	Description	Valid from → until	Qty
1	SP1551724	Seat depth adapter, cpl.		1

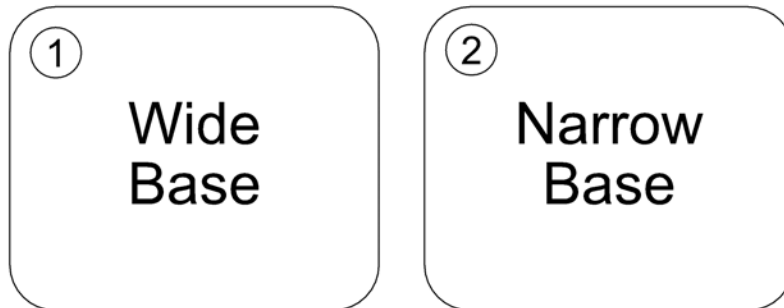


**Backrest**

Pos.	Part number	Description	Valid from → until	Qty
1	SP1543082	Support tube, SW49		1
1	SP1543081	Support tube, SW55		1
1	SP1543080	Support tube, SW61		1
2	SP1551199	Backrest frame, cpl., SW49		1
2	SP1526824	Backrest frame, cpl., SW55		1
2	SP1526823	Backrest frame, cpl., SW61		1
3	1445848	Backrest Rail, cpl.		1
4	5253088	Fixation block		1
-	1508867	Cover SW49, dartex grey <i>not shown</i>		1
-	SP1526459	Cover, Lateral 640X520, Dartex Grey <i>not shown</i>		1
-	1526424	Cover, Lateral 700X500, Dartex Grey <i>not shown</i>		1
5	1445694	Backrest, tension adjustable, SW up to 49cm		1
5	SP1526308	Backrest, tension adjustable, SW 55 - 61cm		1
6	SP1544310	Backrest bracket, cpl., SW49		1
6	SP1544311	Backrest bracket, cpl., SW55		1
6	SP1544312	Backrest bracket, cpl., SW61		1

# Legrests

SPCTDX\_SP210.iso



Pos.	Part number	Description	Valid from → until	Qty
1	-	Legrests - Wide Base		0
2	-	Legrests - Narrow Base		0

## Legrests - Wide Base

SPCTDX\_SP220.kso



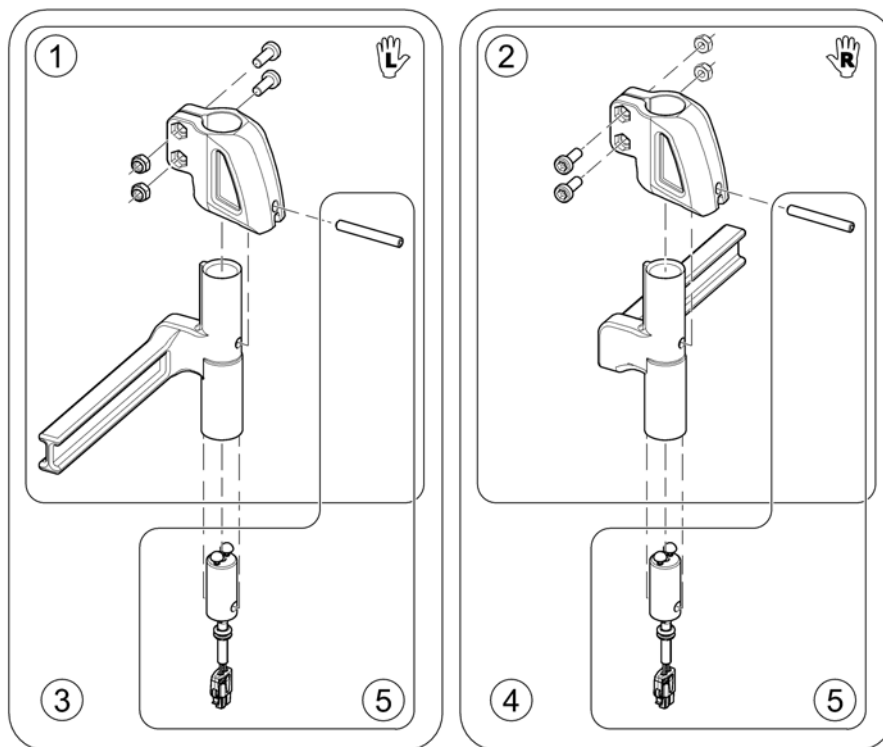
Pos.	Part number	Description	Valid from → until	Qty
1	-	Modulite Seat		0
2	-	Ultra Low Maxx Seat		0
3	-	Max Seat		0

**Modulite Seat**

Pos.	Part number	Description	Valid from → until	Qty
-		Legrest Support, Vari series - Modulite Seat		0
-		Hanger Vari A (04/2009 =>)		0
-		Hanger Vari F		0
-		Hangers ADM LH/RH manual		0
-		Hanger Vari ADE/ADP electric (07/2005 =>)		0
-		Footrests Vari, Flip-Up (01.08.10 =>)		0
-		Footrests Vari, Flip-Up & angle adjustable (01.08.10 =>)		0
-		Footrests Vari, angle & depth adjustable		0
-		Footboard Vari, pre-assembled <i>Football Chair only!</i>		0
-		Support Centr. Legrest LNX man. - Modulite Seat		0
-		Support Centr. Legrest LNX el. - Modulite Seat		0
-		Centr. Legrest man.		0
-		Centr. Legrest LNX el.		0

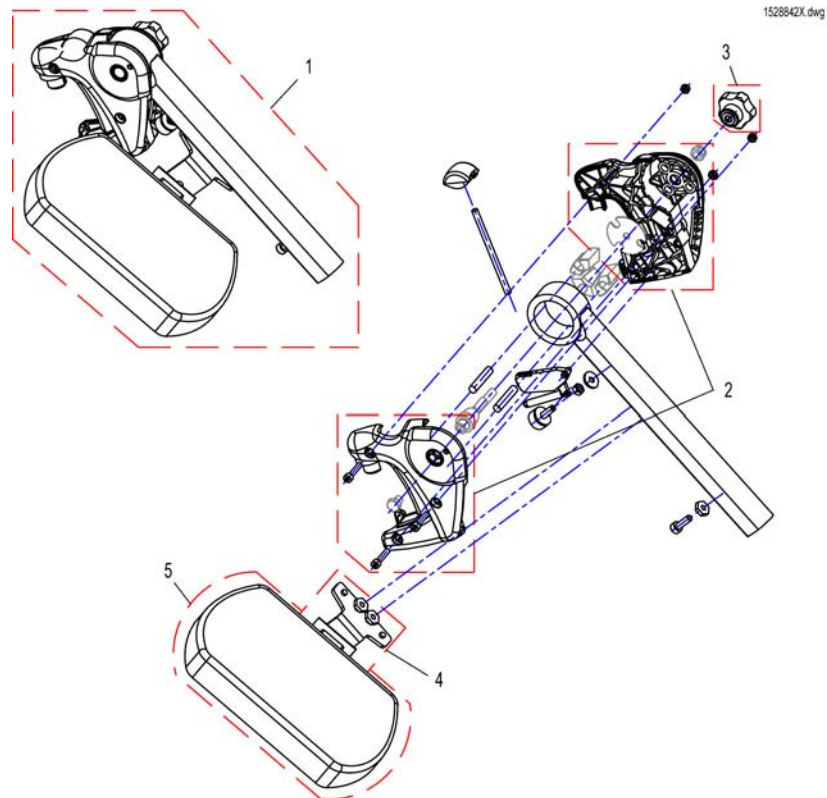
## Legrest Support, Vari series - Modulite Seat

1573651 Rev



Pos.	Part number	Description	Valid from → until	Qty
1	SP1449733	Legrest Support Vari series, man. 5cm - LH		1
2	SP1449732	Legrest Support Vari series, man. 5cm - RH		1
3	SP1529951	Footrest/Legrest receptacle, powered, LH, 5cm		1
4	SP1529949	Footrest/Legrest receptacle, powered, RH, 5cm		1
5	SP1527775	Power Supply Cable Legrest (650mm)		1

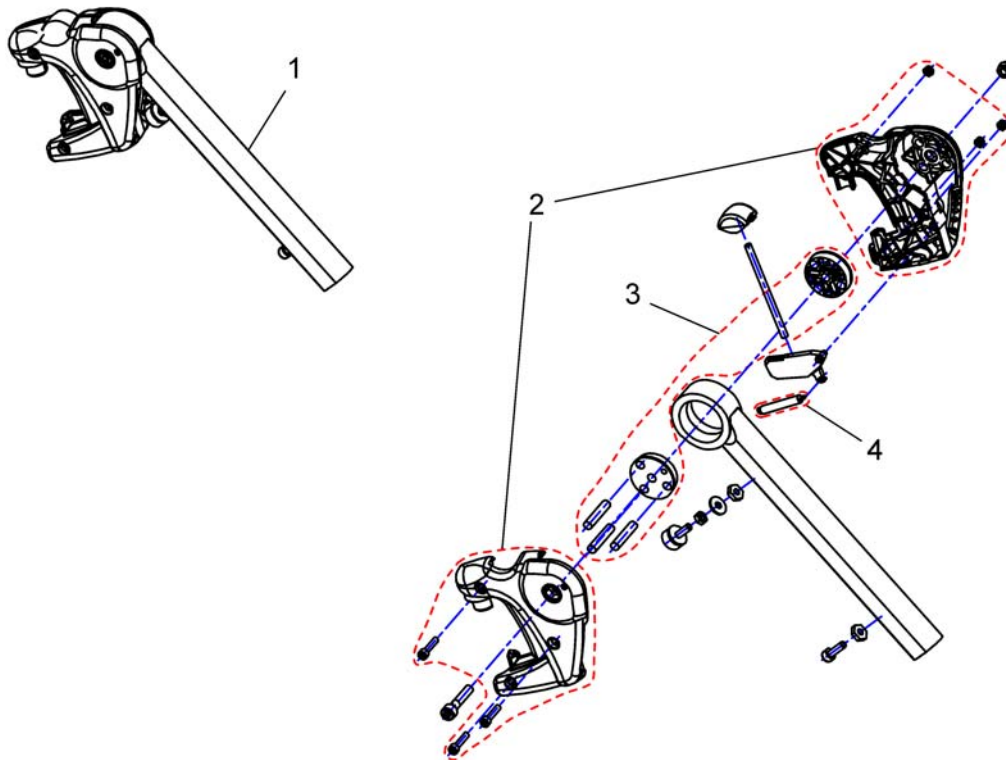
## Hanger Vari A (04/2009 =>)



Pos.	Part number	Description	Valid from → until	Qty
-	SP1527820	Rework-Kit Vari A Legrest Version 1 => Version 2 <i>Vari A Version 1 =&gt; Version 2 Upgrade Kit</i>		1
1	SP1527498	Hanger Vari A LH, cpl.		1
1	SP1527492	Hanger Vari A RH, cpl.		1
2	SP1434955	Cover Legrest cpl.		1
3	L34011	Handknob M8 Tristarfemale		1
4	SP1450447	Calf Pad Holder Left Turnable, cpl.		1
4	SP1450446	Calf Pad Holder Right Turnable, cpl.		1
5	6301333	Legrest calf pad		1

# Hanger Vari F

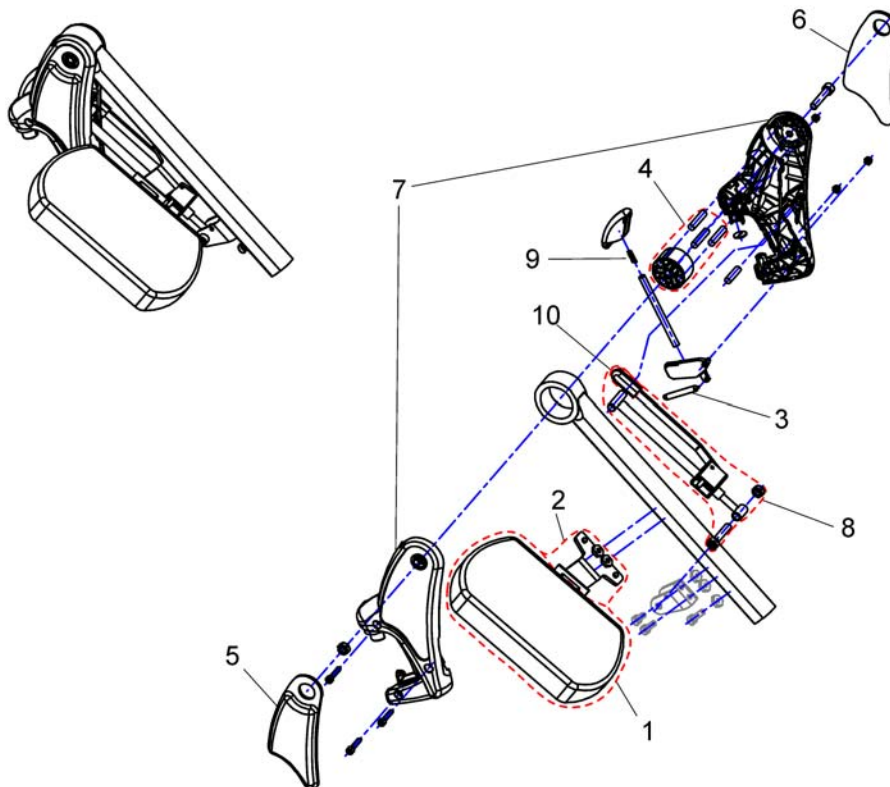
144934 / X.dwg



Pos.	Part number	Description	Valid from → until	Qty
1	SP1449347	Hanger Vari F LH cpl.		1
1	SP1449346	Hanger Vari F RH cpl.		1
2	SP1434955	Cover Legrest cpl.		1
3	1434956	Mechanic		1
4	SPZ173178	Spring		1

# Hangers ADM LH/RH manual

1449409X.dwg

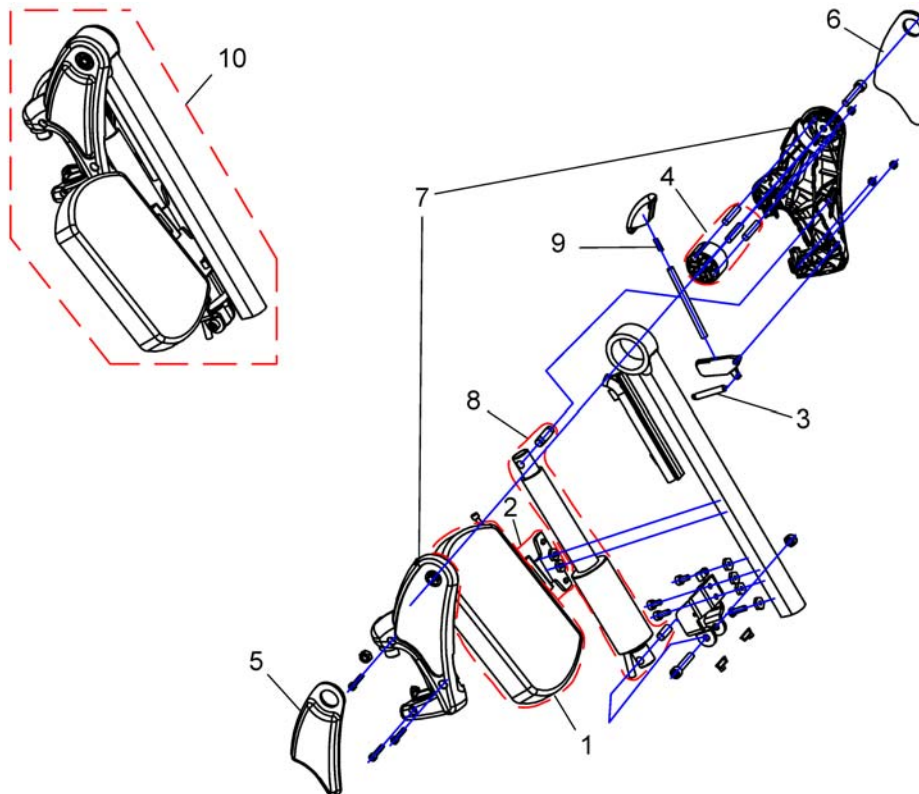


Pos.	Part number	Description	Valid from → until	Qty
1	6301333	Legrest calf pad		1
2	SP1450447	Calf Pad Holder Left Turnable, cpl.		1
2	SP1450446	Calf Pad Holder Right Turnable, cpl.		1
3	SPZ173178	Spring		1
4	SPZ174134	Floating Cylinder With Pin		1
5	SP1450410	Knee Upholstery LH		1
6	SP1450448	Knee Upholstery RH		1
7	SP1449293	Ad-Cover cpl.		1
8	SPZ174130	ADM Adjustment mechanism cpl.		1
9	SPN12196	Spring		1
10	SP1006490	Cap for tripping lever		1
11	SP1449410	Hanger ADM RH cpl.		1
11	SP1449409	Hanger ADM LH cpl.		1



# Hanger Vari ADE/ADP electric (07/2005 =>)

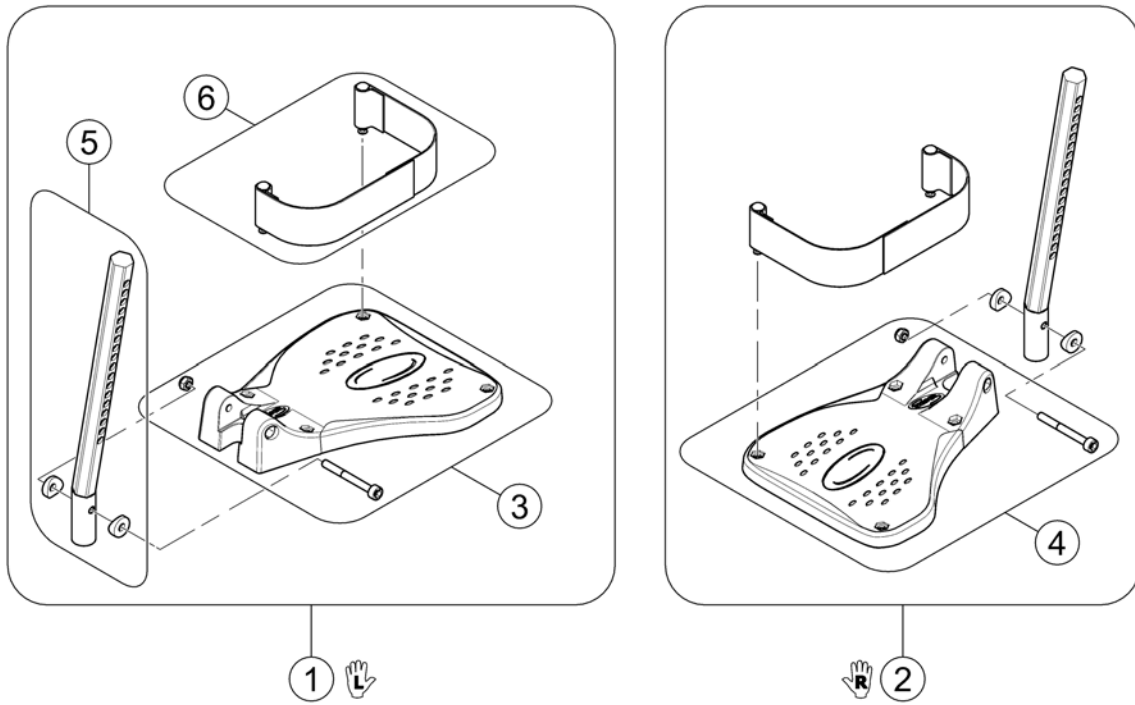
1449407X.dwg



Pos.	Part number	Description	Valid from → until	Qty
1	6301333	Legrest calf pad		1
2	SP1450447	Calf Pad Holder Left Turnable, cpl.		1
2	SP1450446	Calf Pad Holder Right Turnable, cpl.		1
3	SPZ173178	Spring		1
4	SPZ174134	Floating Cylinder With Pin		1
5	SP1450448	Knee Upholstery RH		1
6	SP1450410	Knee Upholstery LH		1
7	SP1449293	Ad-Cover cpl.		1
8	SPZ151006	Actuator with circuit board, preassembled		1
9	SPN12196	Spring		1
10	SP1449408	Hanger ADP RH cpl.		1
10	SP1449407	Hanger ADP LH cpl.		1

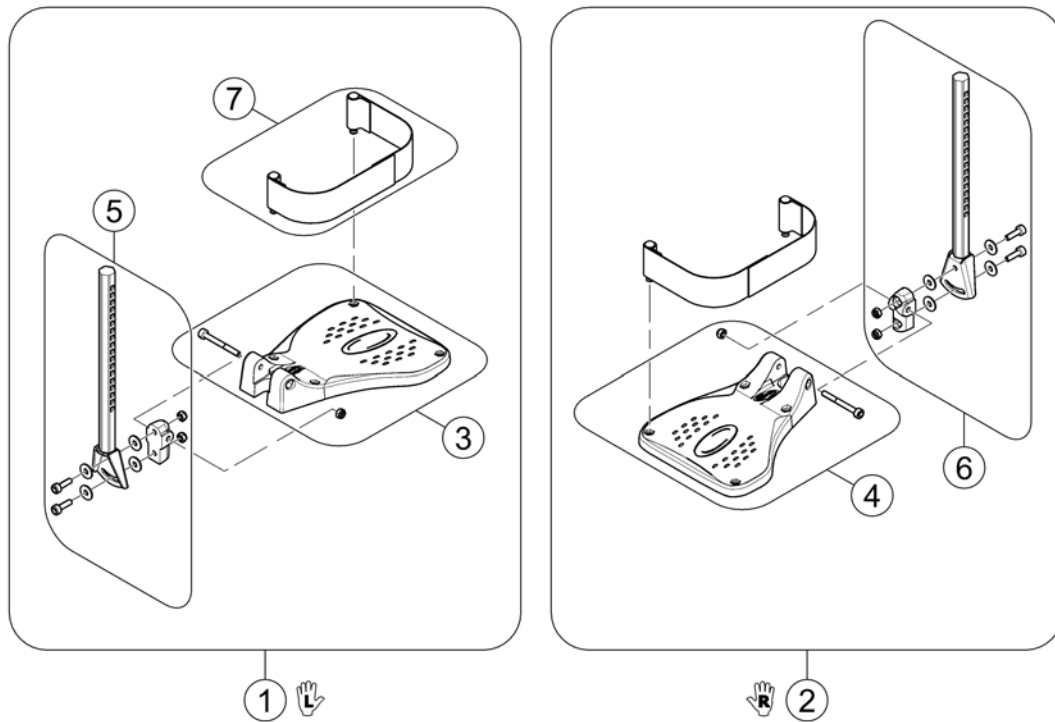
# Footrests Vari, Flip-Up (01.08.10 =>)

152964X.jpg



Pos.	Part number	Description	Valid from → until	Qty
1	SP1541575	Footplate flip up, LH, cpl.		1
2	SP1541574	Footplate flip up, RH, cpl.		1
3	SP1529645	FOOTPLATE LH		1
4	SP1529644	FOOTPLATE RH		1
5	SP1543045	Plug-in tube LH/RH		1
6	SP1442467	Heel Strap cpl.		1

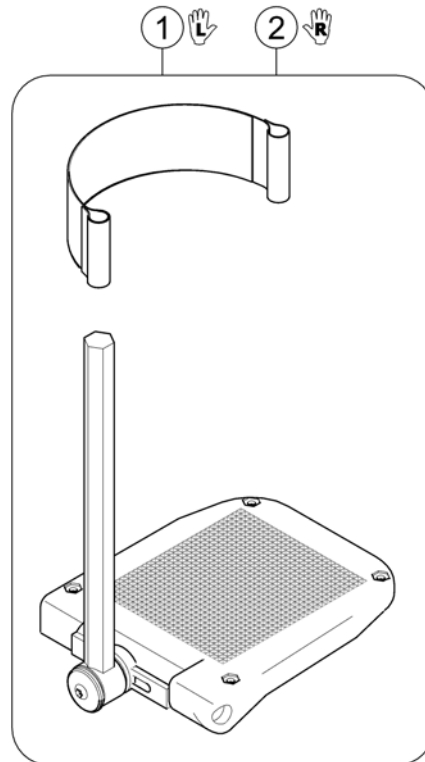
## Footrests Vari, Flip-Up & angle adjustable (01.08.10 =>)



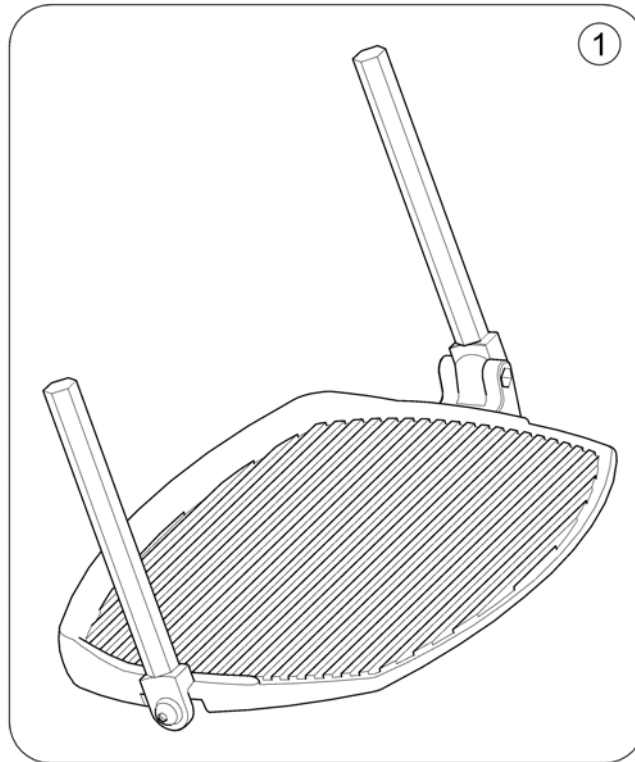
Pos.	Part number	Description	Valid from → until	Qty
1	SP1541580	Footplate flip up, angle adjustable, LH, cpl.		1
2	SP1541579	Footplate flip up, angle adjustable, RH, cpl.		1
3	SP1529645	FOOTPLATE LH		1
4	SP1529644	FOOTPLATE RH		1
5	SP1423204	FOOT PLATE TUBE, ANGLE ADJUSTMENT LH CPL.		1
6	SP1423203	FOOT PLATE TUBE, ANGLE ADJUSTMENT RH CPL.		1
7	SP1442467	Heel Strap cpl.		1

## Footrests Vari, angle & depth adjustable

1583898-iso



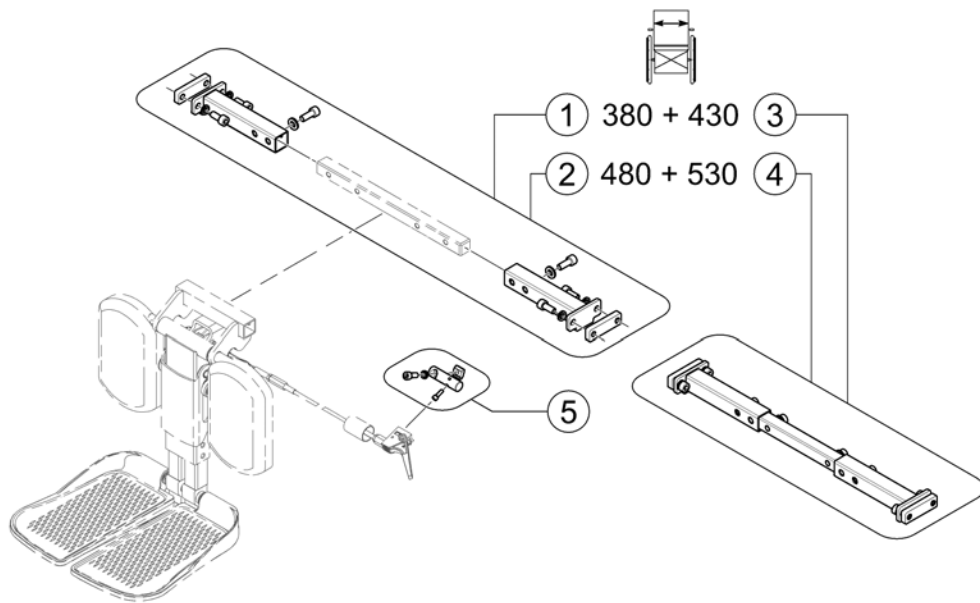
Pos.	Part number	Description	Valid from → until	Qty
1	SP1419344	Footplate LH Anlge And Depth Adjustable, With Support Tube cpl.		1
2	SP1419345	Footplate RH Anlge And Depth Adjustable, With Support Tube cpl.		1



Pos.	Part number	Description	Valid from → until	Qty
1	SP1423156	Footboard, pre-assembled		1

# Support Centr. Legrest LNX man. - Modulite Seat

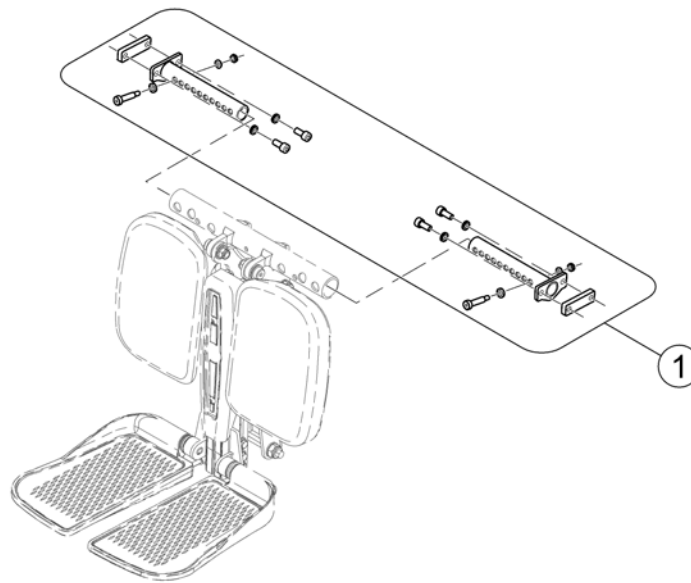
1563891.jpg



Pos.	Part number	Description	Valid from → until	Qty
1	SP1579989	Support, Centr. Legrest man. LNX - SW 380+430mm		1
2	SP1579990	Support, Centr. Legrest man. LNX - SW 480+530mm		1
3	SP1579991	Support, Centr. Legrest man. LNX - SW 380+430mm, cpl.		1
4	SP1579992	Support, Centr. Legrest man. LNX - SW 480+530mm, cpl.		1
5	SP1579988	Support, Lever, cpl.		1

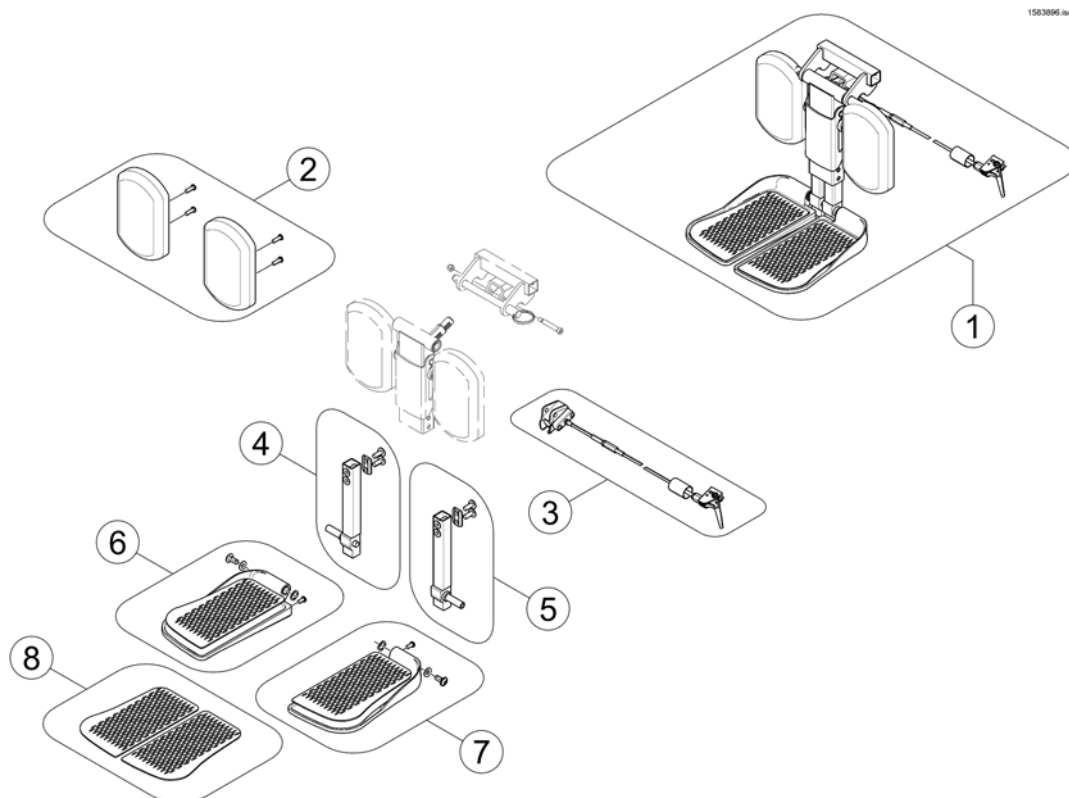
# Support Centr. Legrest LNX el. - Modulite Seat

1583893.kso



Pos.	Part number	Description	Valid from → until	Qty
1	SP1575144	Support, Centr. Legrest el. LNX - Modulite		1

## Centr. Legrest man.

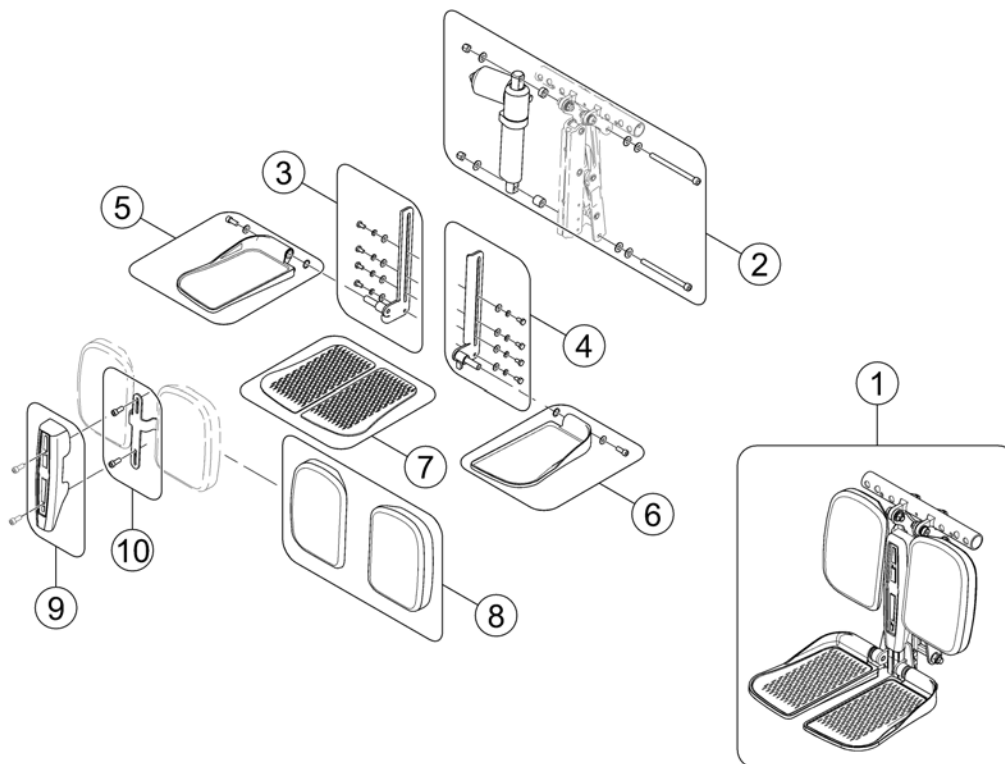


Pos.	Part number	Description	Valid from → until	Qty
1	SP1537926	Central Legrest manual, cpl.		1
2	SP1163373	Calfplates (Pair)		1
3	SP1121079	Bowden cable central legrest, manual		1
4	SP1161986	Kit, extension tube, cpl. RH		1
5	SP1161987	Kit, extension tube, cpl. LH		1
6	SP1161990	Footplate, cpl. RH		1
7	SP1161991	Footplate, cpl. LH		1
8	SP1163375	Footrest pad (Pair)		1



## Centr. Legrest LNX el.

1583894.000



Pos.	Part number	Description	Valid from → until	Qty
-	SP1541677	Adaptercable 300mm <i>For chairs with lifter</i>		1
-	SP1543012	Adaptercable 1200mm <i>For chairs without lifter</i>		1
-	SP1571959	Centr. Legrest el. LNX for Modulite cpl. (incl. Support)		1
1	SP1571882	Centr. Legrest LNX el.		1
2	SP1543031	Actuator, complete		1
3	SP1543035	Footplate mount, RH		1
4	SP1543034	Footplate mount, LH		1
5	SP1543037	Footplate, RH		1
6	SP1543036	Footplate, LH		1
7	SP1163375	Footrest pad (Pair)		1
8	SP1543033	Calfplates (Pair)		1
9	SP1543032	Cover		1
10	SP1579985	Calf Plate Bracket		1

## Ultra Low Maxx Seat

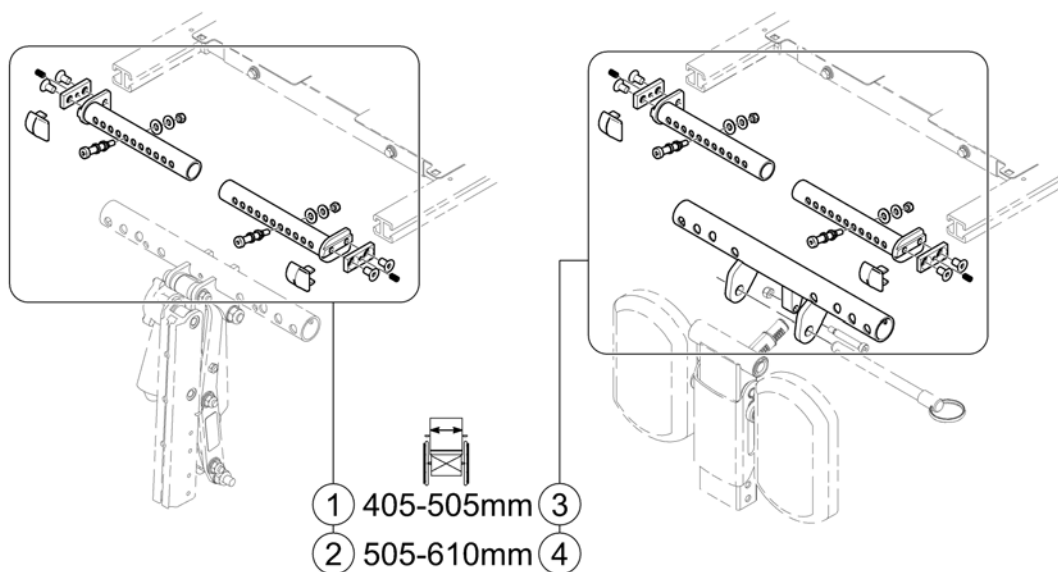
Pos.	Part number	Description	Valid from → until	Qty
-		Central Legrests		1
-		Vari Legrests		1
-		Pivot Plus Legrests		1

**Central Legrests**

Pos.	Part number	Description	Valid from → until	Qty
-		Supports, Central Legrests		1
-		Centr. Legrest el. (LNX)		1
-		Centr. Legrest man.		1

# Supports, Central Legrests

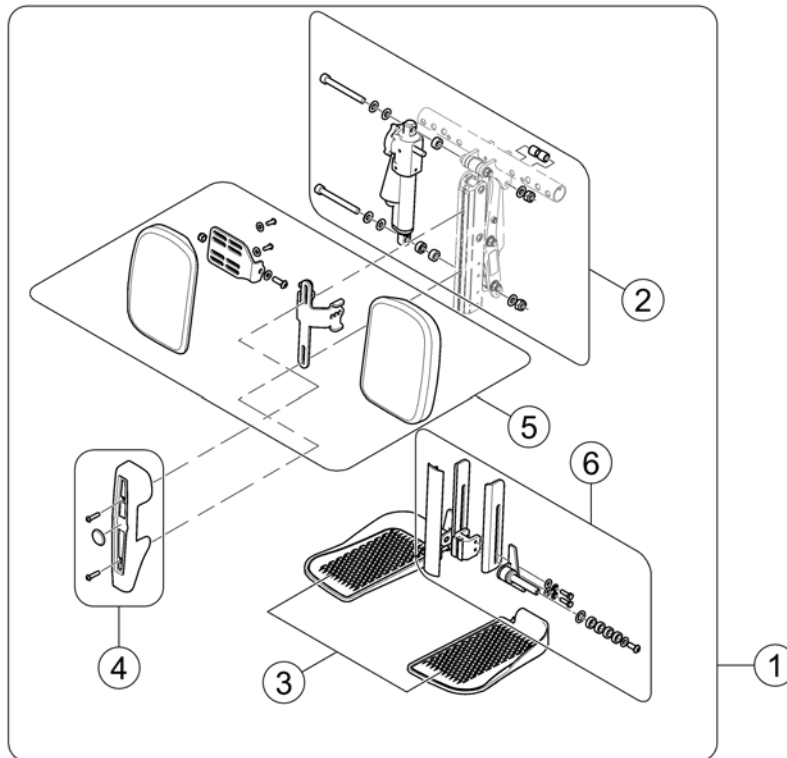
158408 Rev



Pos.	Part number	Description	Valid from → until	Qty
1	SPTRC1945	Legrest Support, el. - SW 405-505mm (16-20")		1
2	SPTRC2096	Legrest Support, el. - SW 505-610mm (19-24")		1
3	SPTRC1947	Legrest Support, man. - SW 405-505mm (16-20")		1
4	SPTRC2097	Legrest Support, man. - SW 505-610mm (19-24")		1

## Centr. Legrest el. (LNX)

158409 Rev

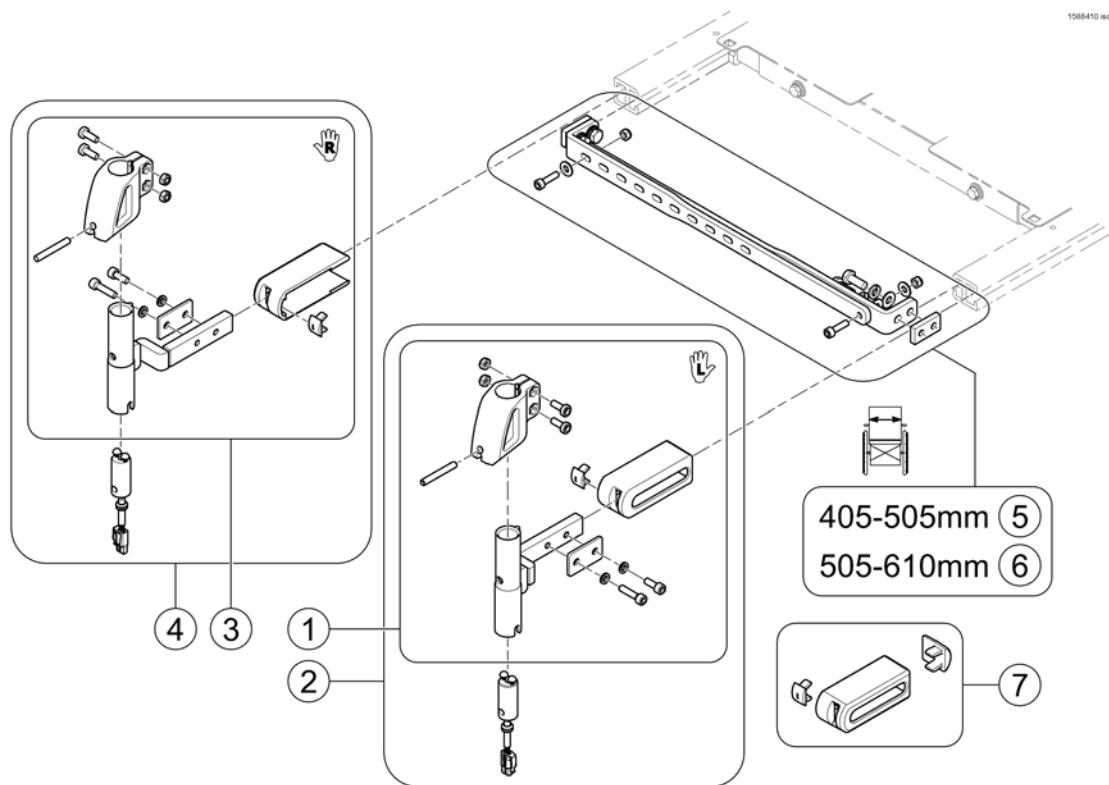


Pos.	Part number	Description	Valid from → until	Qty
1	SPTRC1946	Central Legrest LNX, electric, cpl.		1
2	SPTRC2124	CM Legrest Actuator, cpl. with hardware		1
3	SPTRC2125	CM Legrest Foot Plates		1
4	SPTRC2126	CM Legrest Cover, cpl. with hardware		1
5	SPTRC2035	Calf Pads with Mounting Hardware		1
6	SPTRC1664-C01	Mounting hardware, Foot plates		1
-	SPTRE0756	Actuator Cable		1

## Vari Legrests

Pos.	Part number	Description	Valid from → until	Qty
-		Supports, Vari		1
-		Hanger Vari F		1
-		Hanger Vari A (04/2009 =>)		1
-		Hangers ADM LH/RH manual		1
-		Hanger Vari ADE/ADP electric (07/2005 =>)		1
-		Footrests Vari, Flip-Up (01.08.10 =>)		1
-		Footrests Vari, Flip-Up & angle adjustable (01.08.10 =>)		1
-		Footrests Vari, angle & depth adjustable		1

## Supports, Vari



Pos.	Part number	Description	Valid from → until	Qty
1	SP1586651	Legrest Support Vari LH man cpl.		1
2	SP1587187	Legrest Support Vari LH el. cpl.		1
3	SP1586706	Legrest Support Vari RH man cpl.		1
4	SP1587186	Legrest Support Vari RH el. cpl.		1
5	SPTRC2098	Cross brace SW 405-505mm (16-20")		1
6	SPTRC2099	Cross brace SW 505-610mm (19-24")		1
7	SPTRC2061	End cap kit		1

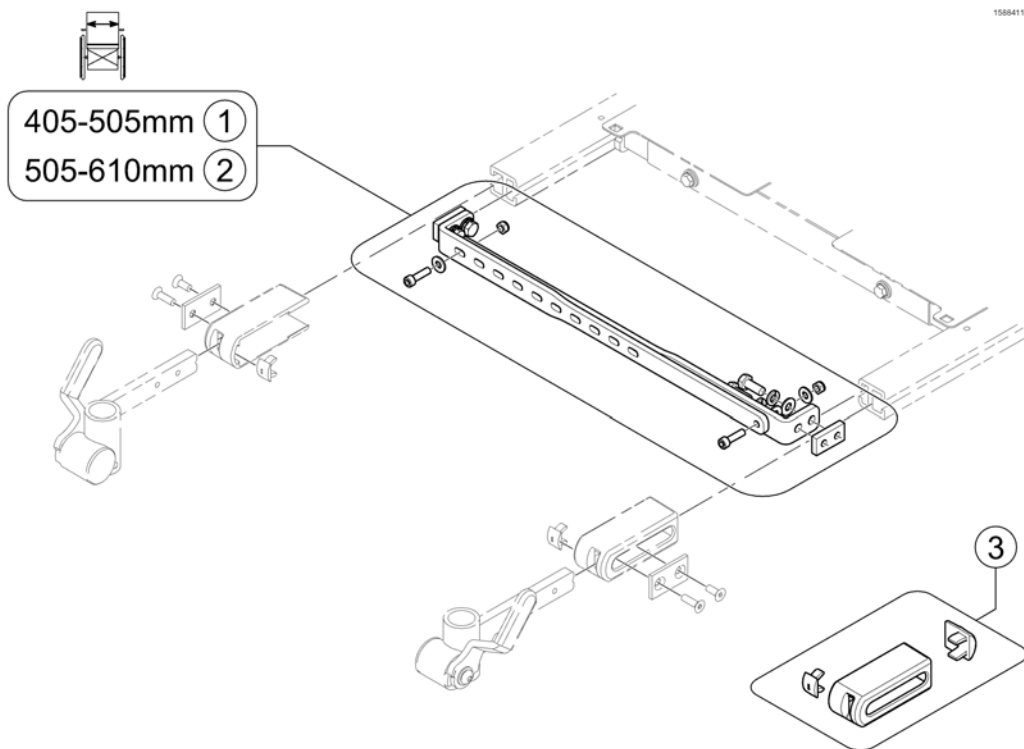
## Pivot Plus Legrests

Pos.	Part number	Description	Valid from → until	Qty
-		Cross Brace, Pivot Plus		1
-		Legrests		1



## Cross Brace, Pivot Plus

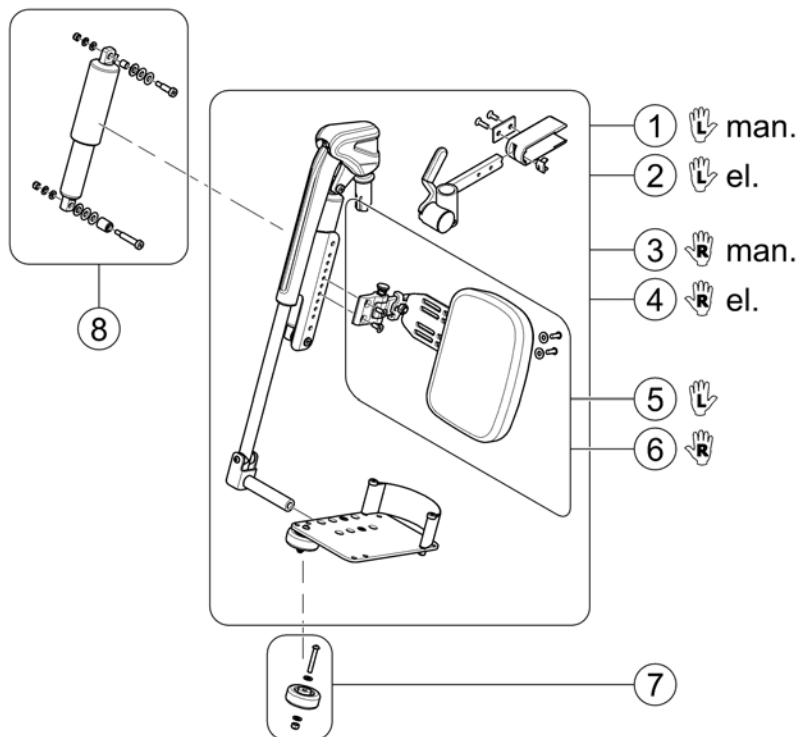
1586411.00



Pos.	Part number	Description	Valid from → until	Qty
1	SPTRC2098	Cross brace SW 405-505mm (16-20")		1
2	SPTRC2099	Cross brace SW 505-610mm (19-24")		1
3	SPTRC2061	End cap kit		1

# Legrests

1588425.iss



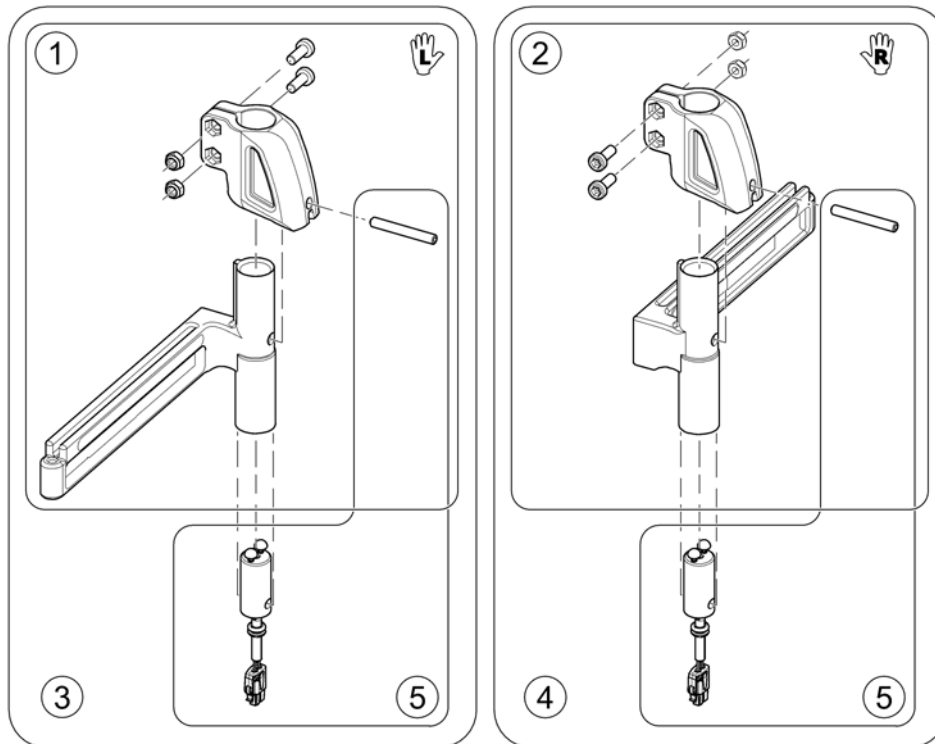
Pos.	Part number	Description	Valid from → until	Qty
1	SPTRC2070	Pivot Plus Legrest man. LH, cpl.		1
2	SPTRC2068	Pivot Plus Legrest el. LH, cpl.		1
3	SPTRC2069	Pivot Plus Legrest man. RH, cpl.		1
4	SPTRC2067	Pivot Plus Legrest el. RH, cpl.		1
5	SPTRC2127-C02	Calf Pad LH with mounting hardware		1
6	SPTRC2127-C01	Calf Pad RH with mounting hardware		1
7	SPTRC2129	Wheel, Footplate - cpl.		1
8	SPTRC2128	Legrest Actuator, cpl.		1
-	SPTRE0756	Actuator Cable <i>LH</i>		1
-	SPTRE0754	Actuator Cable <i>RH</i>		1

**Max Seat**

Pos.	Part number	Description	Valid from → until	Qty
-		Legrest Support, Vari series - Max Seat		0
-		Hanger Vari A (04/2009 =>)		0
-		Hanger Vari F		0
-		Hangers ADM LH/RH manual		0
-		Hanger Vari ADE/ADP electric (07/2005 =>)		0
-		Footrests Vari, Flip-Up (01.08.10 =>)		0
-		Footrests Vari, Flip-Up & angle adjustable (01.08.10 =>)		0
-		Footrests Vari, angle & depth adjustable		0
-		Footboard Vari, pre-assembled		0
-		Support Centr. Legrest man. LNX - Max Seat		0
-		Support Centr. Legrest LNX el. - Max Seat		0
-		Centr. Legrest man.		0
-		Centr. Legrest LNX el.		0
-		Fixed footboard		0
-		Calf plates		0

## Legrest Support, Vari series - Max Seat

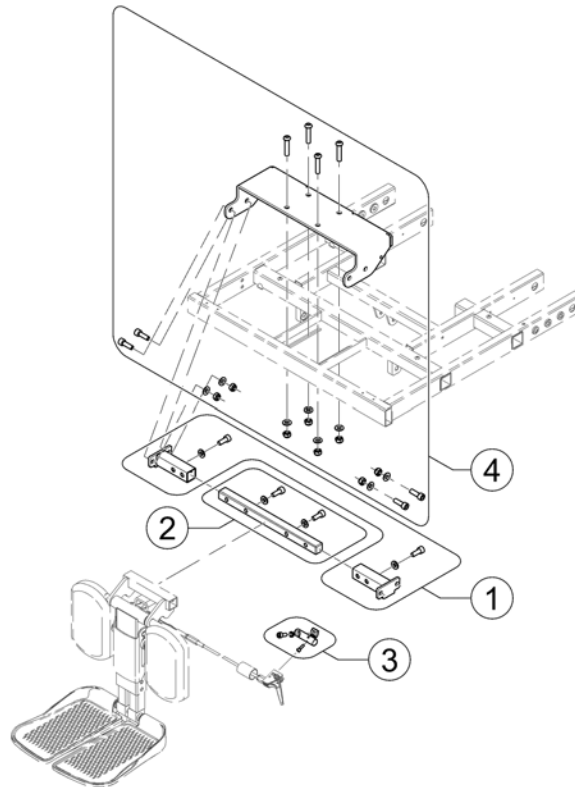
1506819\_000



Pos.	Part number	Description	Valid from → until	Qty
1	SP1526909	Footrest/Legrest receptacle, manuell, LH, 5cm		1
2	SP1526910	Footrest/Legrest receptacle, manuell, RH, 5cm		1
3	SP1555996	Footrest/Legrest receptacle, powered, LH, 5cm		1
4	SP1555995	Footrest/Legrest receptacle, powered, RH, 5cm		1
5	SP1530795	Power Supply Cable Legrest ACS2 (1000mm)		1

## Support Centr. Legrest man. LNX - Max Seat

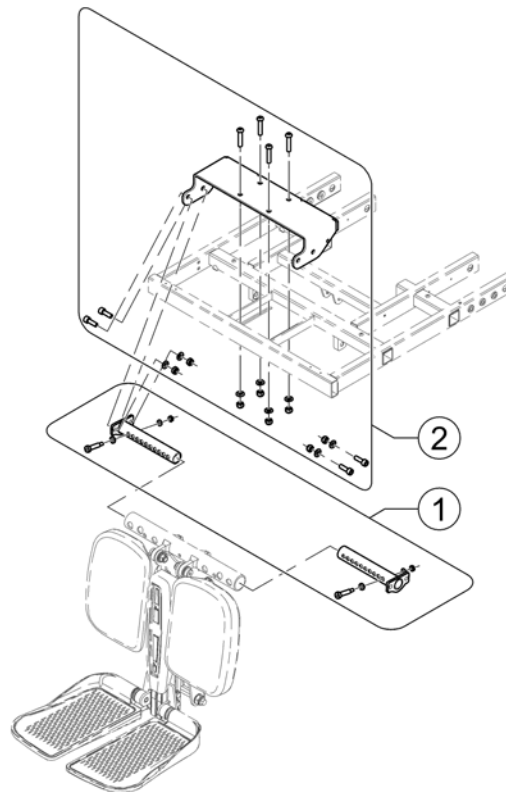
1583889 (iso)



Pos.	Part number	Description	Valid from → until	Qty
1	SP1583887	Mounting Kit, Central Legrest LNX man. - Max Seat		1
2	SP1576712	Insert, Centr. Legrest LNX		1
3	SP1579988	Support, Lever, cpl.		1
4	SP1580689	Upper Support, Centr. Legrest LNX - Max Seat		1

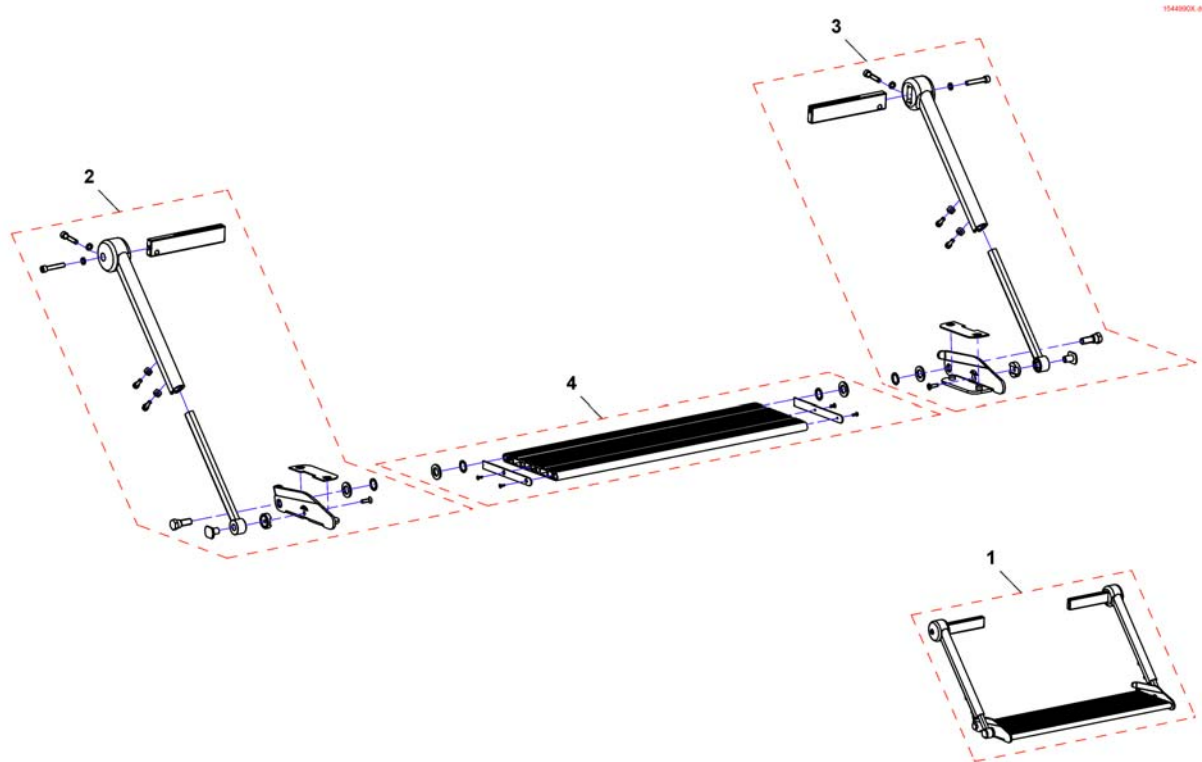
## Support Centr. Legrest LNX el. - Max Seat

1583890.kso



Pos.	Part number	Description	Valid from → until	Qty
1	SP1583888	Mounting Kit, Central Legrest LNX el. - Max Seat		1
2	SP1580689	Upper Support, Centr. Legrest LNX - Max Seat		1

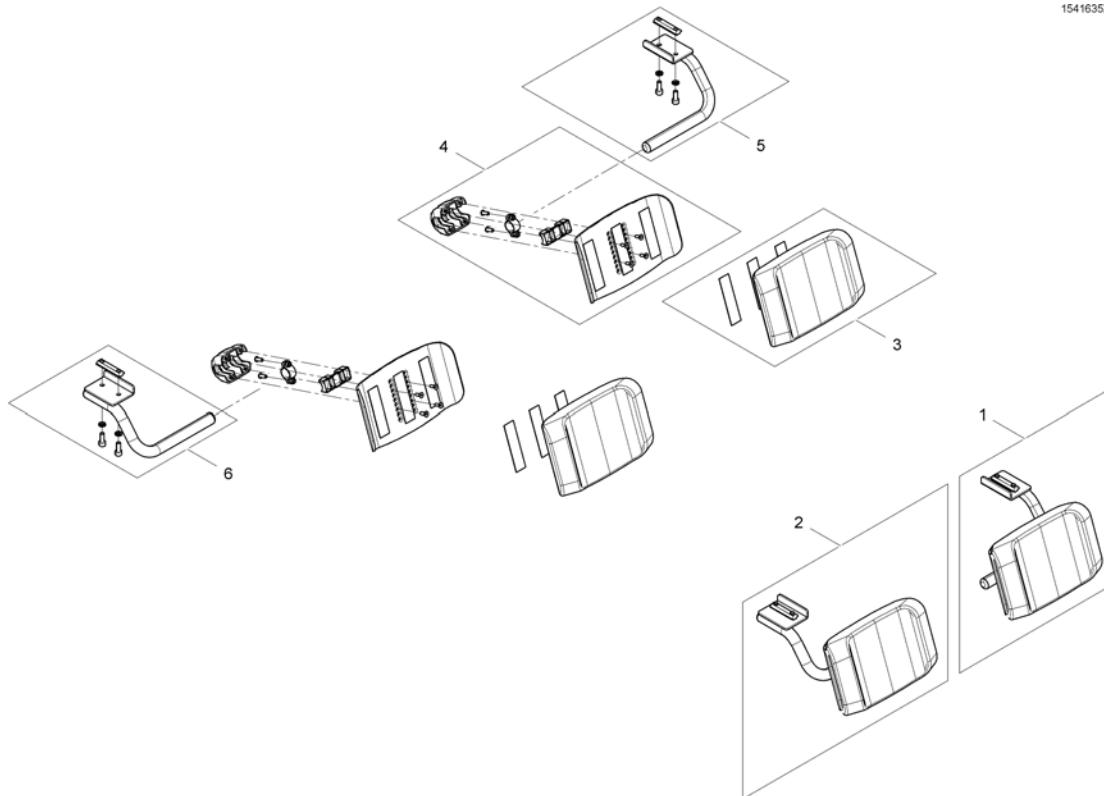
## Fixed footboard



Pos.	Part number	Description	Valid from → until	Qty
1	SP1544990	Fixed footboard SW61		1
1	SP1545454	Fixed footboard SW55		1
1	SP1545455	Fixed footboard SW49		1
2	SP1552445	Footboard bracket RH		1
3	SP1552446	Footboard bracket LH		1
4	SP1552466	Footboard SW49		1
4	SP1552465	Footboard SW55		1
4	SP1552447	Footboard SW61		1

# Calf plates

1541635X.iso

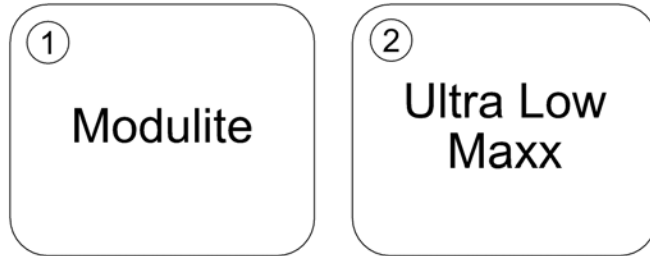


Pos.	Part number	Description	Valid from → until	Qty
1	SP1544875	Calf pad, SW 490mm, LH, cpl.		1
1	SP1541635	Calf pad, SW 550mm & 610mm, LH, cpl.		1
2	SP1544876	Calf pad, SW 490mm, LH, cpl.		1
2	SP1541636	Calf pad, SW 550mm & 610mm, RH, cpl.		1
3	SP1541672	Calf Pad SW 490mm		1
3	SP1541491	Calf Pad SW 550mm & 610mm		1
4	SP1541669	Calf pad bracket SW 490mm, LH/RH, cpl.		1
4	SP1541489	Calf pad bracket SW 550mm & 610mm, LH/RH, cpl.		1
5	SP1541633	Calf pad bracket, LH, cpl.		1
6	SP1541634	Calf pad bracket, RH, cpl.		1



## Legrests - Narrow Base

1583309 iso



Pos.	Part number	Description	Valid from → until	Qty
1	-	Modulite Seat		0
2	-	Ultra Low Maxx Seat		0

**Modulite Seat**

Pos.	Part number	Description	Valid from → until	Qty
-		Legrest Support, Vari series - Modulite Seat		0
-		Hanger Vari A (04/2009 =>)		0
-		Hanger Vari F		0
-		Hangers ADM LH/RH manual		0
-		Hanger Vari ADE/ADP electric (07/2005 =>)		0
-		Footrests Vari, Flip-Up (01.08.10 =>)		0
-		Footrests Vari, Flip-Up & angle adjustable (01.08.10 =>)		0
-		Footrests Vari, angle & depth adjustable		0
-		Support Centr. Legrest LNX man. - Modulite Seat		0
-		Support Centr. Legrest LNX el. - Modulite Seat		0
-		Centr. Legrest man.		0
-		Centr. Legrest LNX el.		0

## Armrests

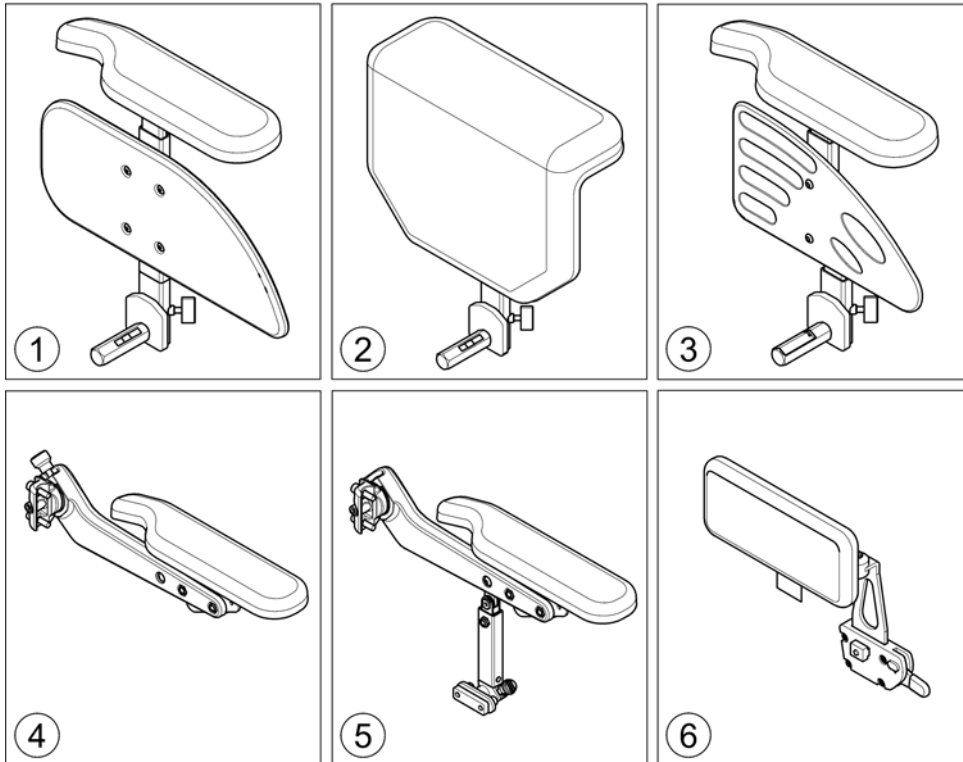
SPCTDX\_SP220.kso



Pos.	Part number	Description	Valid from → until	Qty
1	-	Armrests for Modulite Seat		0
2	-	Armrests for Ultra Low Maxx Seat		0
3	-	Armrests for Max Seat		0

## Armrests for Modulte Seat

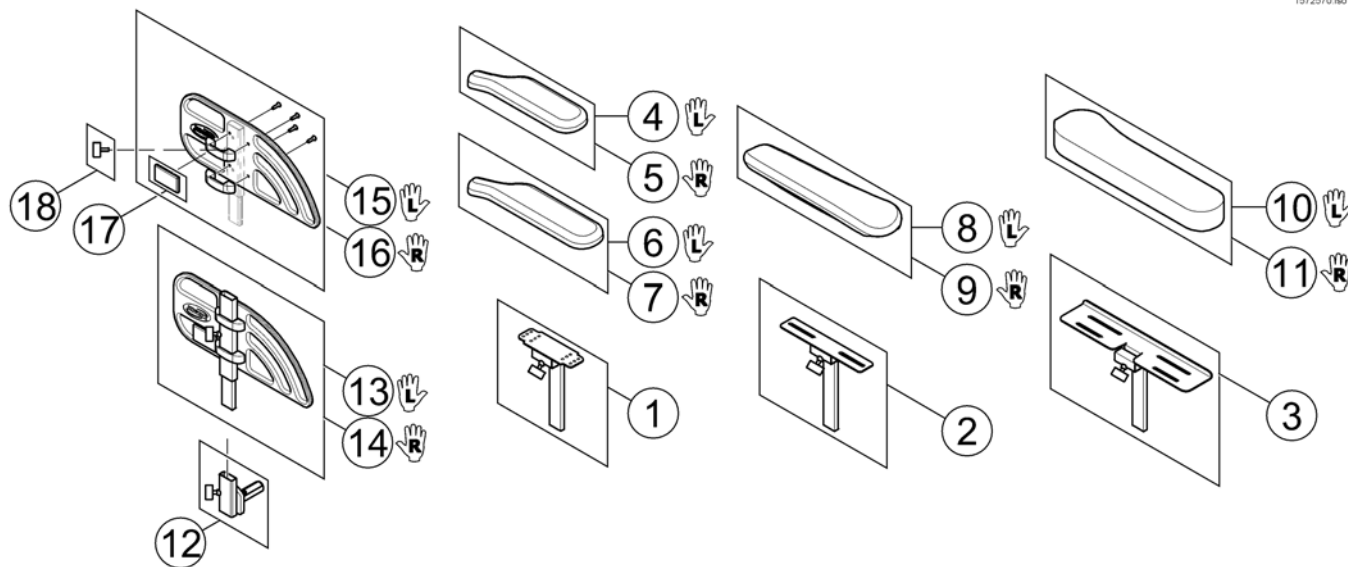
1571738.000



Pos.	Part number	Description	Valid from → until	Qty
1	-	T-Armrest [2191+2195/2196/2197]		1
2	-	Padded Armrest [2198]		1
3	-	Inrigged Armrest [2183+2195/2196/2197/2199]		0
4	-	Flip-Up Armrest [2193+2195/2196/2197/2199]		0
5	-	Following Armrest [2192/2194+2195/2196/2197/2199]		0
6	-	Hip Support [2184/2185/2186/2187/2188/2189]		0

## T-Armrest

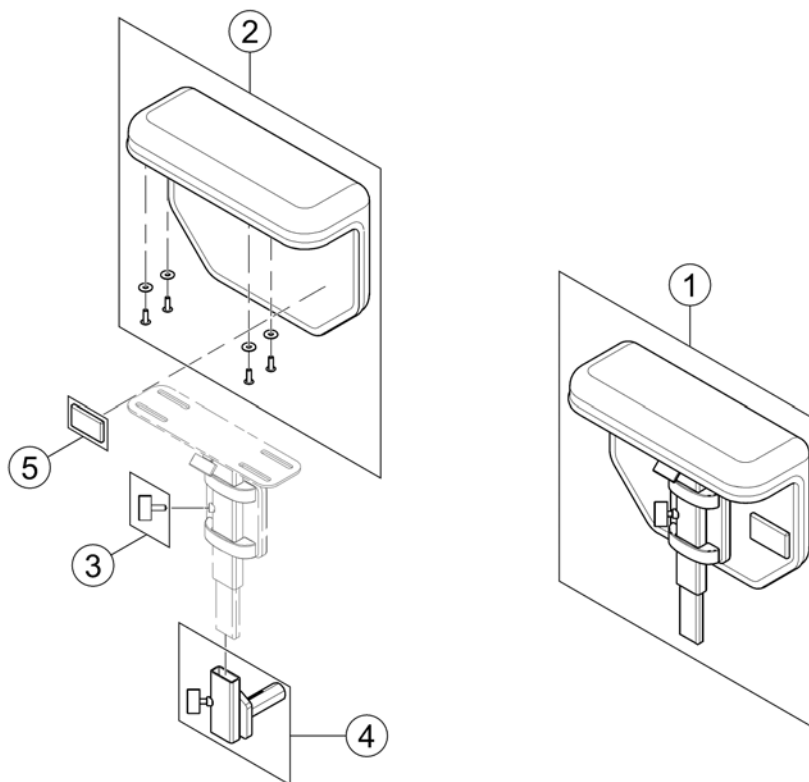
1572570.iso



Pos.	Part number	Description	Valid from → until	Qty
1	SP1567750	Armrest Bracket for Standard & Extended Armpad		1
2	SP1570319	Armrest Bracket for Ergonomic Armpad		1
3	SP1585088	Armrest Bracket for Soft Armpad		1
4	SP1443004	Armpad, Standard (325mm), LH		1
5	SP1449043	Armpad, Standard (325mm), RH		1
6	SP1528846	Armpad, Extended (375mm), LH		1
7	SP1528845	Armpad, Extended (375mm), RH		1
8	SP1571589	Armpad, Ergonomic, LH		1
9	SP1571588	Armpad, Ergonomic, RH		1
10	SP1585068	Armpad, Soft, LH		1
11	SP1585069	Armpad, Soft, RH		1
12	SP1567749	Siderest Bracket - LH/RH		1
13	SP1588374	Siderest LH		1
14	SP1588375	Siderest RH		1
15	SP1572940	Skirt Guard LH		1
16	SP1572948	Skirt Guard RH		1
17	SPP31298	Reflector, yellow		1
18	SPL10024	Wing Screw M6x16		1

## Padded Armrest

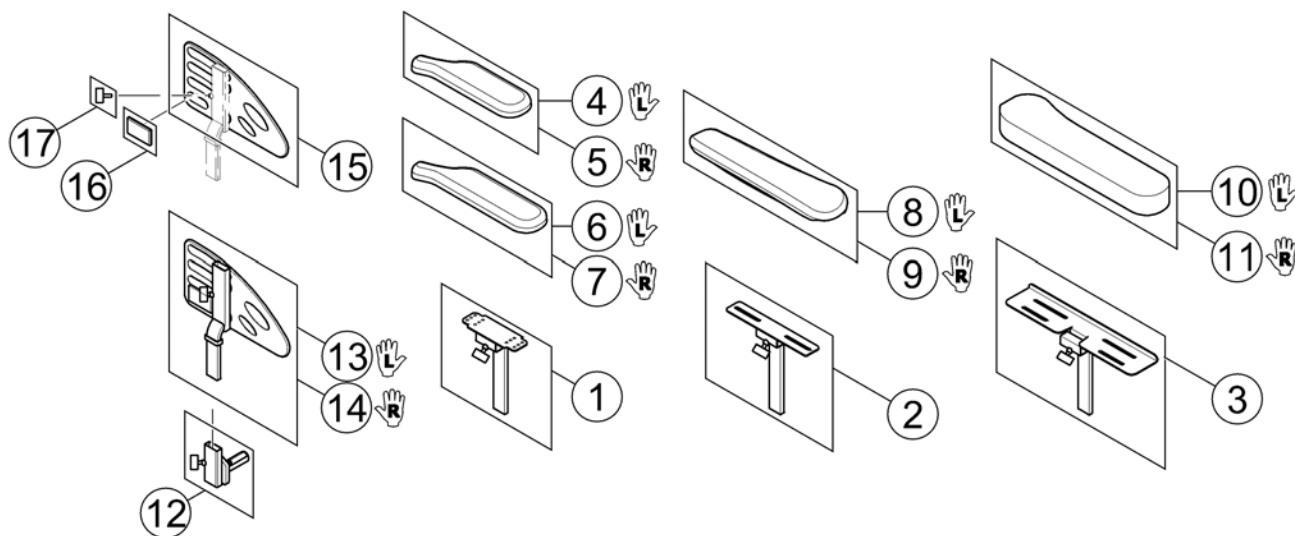
1573214.00



Pos.	Part number	Description	Valid from → until	Qty
1	SP1571987	Padded Armrest RH/LH, cpl.		1
2	SP1571962	Armpad, padded - RH/LH with integrated cloth guard		1
3	SPL10024	Wing Screw M6x16		1
4	SP1567749	Siderest Bracket - LH/RH		1
5	SPP31298	Reflector, yellow		1

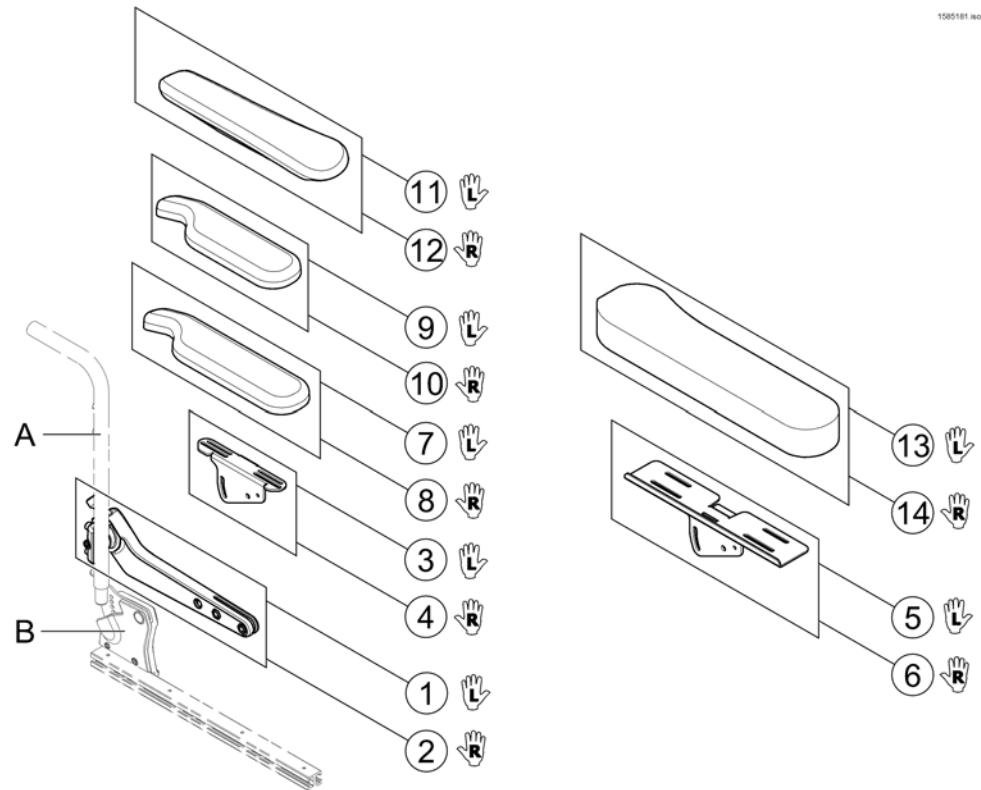
## Inrigged Armrest

1585180 iso



Pos.	Part number	Description	Valid from → until	Qty
1	SP1567750	Armrest Bracket for Standard & Extended Armpad		1
2	SP1570319	Armrest Bracket for Ergonomic Armpad		1
3	SP1585088	Armrest Bracket for Soft Armpad		1
4	SP1443004	Armpad, Standard (325mm), LH		1
5	SP1449043	Armpad, Standard (325mm), RH		1
6	SP1528846	Armpad, Extended (375mm), LH		1
7	SP1528845	Armpad, Extended (375mm), RH		1
8	SP1571589	Armpad, Ergonomic, LH		1
9	SP1571588	Armpad, Ergonomic, RH		1
10	SP1585068	Armpad, Soft, LH		1
11	SP1585069	Armpad, Soft, RH		1
12	SP1567749	Siderest Bracket - LH/RH		1
13	SP1585037	Siderest inrigged LH		1
14	SP1585038	Siderest inrigged RH		1
15	SP1578119	Skirt Guard LH/RH		1
16	SPP31298	Reflector, yellow		1
17	SPL10024	Wing Screw M6x16		1

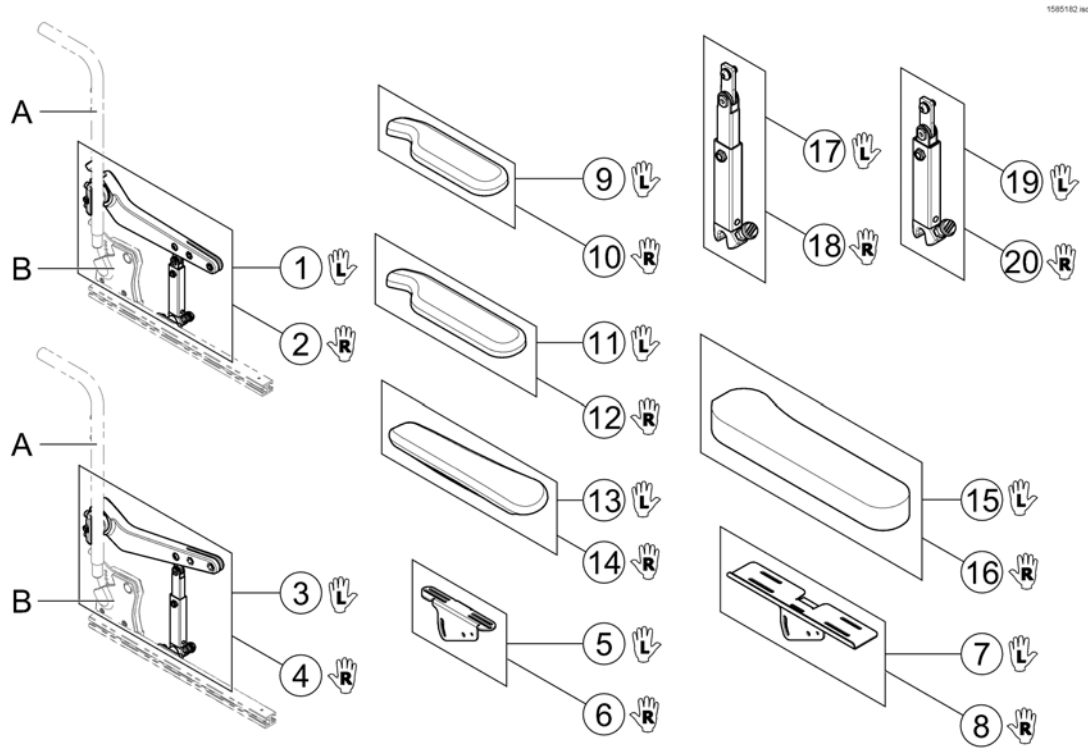
# Flip-Up Armrest



Pos.	Part number	Description	Valid from → until	Qty
-	-	Retrofitting the armrests on chairs built before 15-03-27 also requires new Pos. A & B and Sling Back with respective cut-outs! !!!		0
1	SP1582668	Flip-Up Armrest, LH	2015-01-19 →	1
2	SP1582644	Flip-Up Armrest, RH	2015-01-19 →	1
3	SP1585412	Ampad Support (Standard, Extended, Ergonomic), LH		1
4	SP1585413	Ampad Support (Standard, Extended, Ergonomic), RH		1
5	SP1585414	Ampad Support (Soft), LH		1
6	SP1585415	Ampad Support (Soft), RH		1
7	SP1528846	Ampad, Extended (375mm), LH		1
8	SP1528845	Ampad, Extended (375mm), RH		1
9	SP1443004	Ampad, Standard (325mm), LH		1
10	SP1449043	Ampad, Standard (325mm), RH		1
11	SP1571589	Ampad, Ergonomic, LH		1
12	SP1571588	Ampad, Ergonomic, RH		1
13	SP1585068	Ampad, Soft, LH		1
14	SP1585069	Ampad, Soft, RH		1



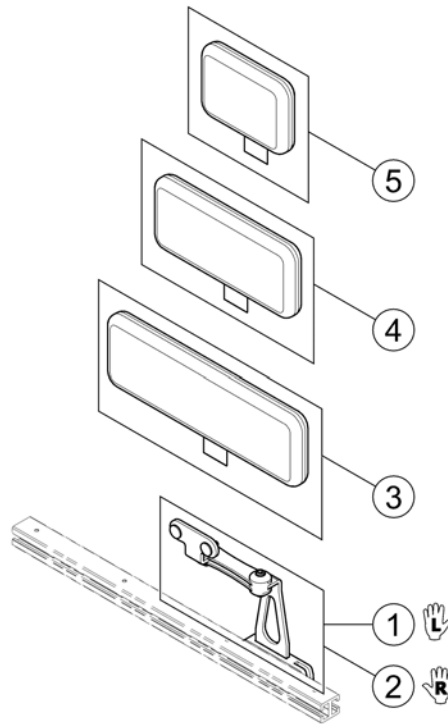
## Following Armrest



Pos.	Part number	Description	Valid from → until	Qty
-	-	Retrofitting the armrests on chairs built before 15-03-27 also requires new Pos. A & B and Sling Back with respective cut-outs! !!!		0
1	SP1585263	Armrest LH cpl. - Short Support	2015-01-19 →	1
2	SP1585264	Armrest RH cpl. - Short Support	2015-01-19 →	1
3	SP1585267	Armrest LH cpl. - Long Support	2015-01-19 →	1
4	SP1585268	Armrest RH cpl. - Long Support	2015-01-19 →	1
5	SP1585412	Ampad Support (Standard, Extended, Ergonomic), LH		1
6	SP1585413	Ampad Support (Standard, Extended, Ergonomic), RH		1
7	SP1585414	Ampad Support (Soft), LH		1
8	SP1585415	Ampad Support (Soft), RH		1
9	SP1443004	Ampad, Standard (325mm), LH		1
10	SP1449043	Ampad, Standard (325mm), RH		1
11	SP1528846	Ampad, Extended (375mm), LH		1
12	SP1528845	Ampad, Extended (375mm), RH		1
13	SP1571589	Ampad, Ergonomic, LH		1
14	SP1571588	Ampad, Ergonomic, RH		1
15	SP1585068	Ampad, Soft, LH		1
16	SP1585069	Ampad, Soft, RH		1
17	SP1583156	Amrest Support, long, LH		1
18	SP1583155	Amrest Support, long, RH		1
19	SP1583154	Amrest Support, short, LH		1
20	SP1582639	Amrest Support, short, RH		1

# Hip Support

1580183 Rev

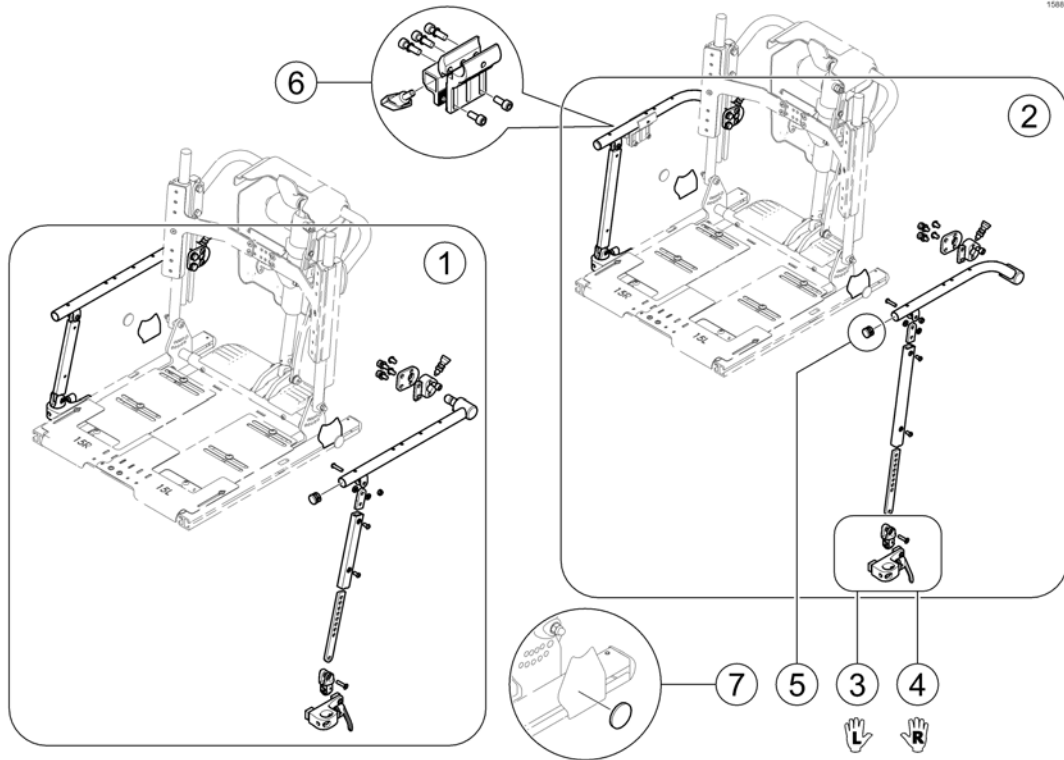


Pos.	Part number	Description	Valid from → until	Qty
1	SP1584411	Hip Support, Quick Release bracket, LH		1
2	SP1584410	Hip Support, Quick Release bracket, RH		1
3	SP1584414	Hip Support Pad, large (330x100 mm)		1
4	SP1584413	Hip Support Pad, medium (230x100 mm)		1
5	SP1584412	Hip Support Pad, small (140x100 mm)		1

Invacare® TDX-SP2, TDX-SP2 NB | Armrests  
**Armrests for Ultra Low Maxx Seat**

Pos.	Part number	Description	Valid from → until	Qty
1	-	Recline Flip-Up Armrest		0
2	-	Cantilever Flip-Up Armrest		0
3	-	Ampads, Desk & Full		0
4	-	Ampad, Ergonomic		0
5	-	MACES Multi Axis Armpad Holder		0
6	-	Hip Support		0

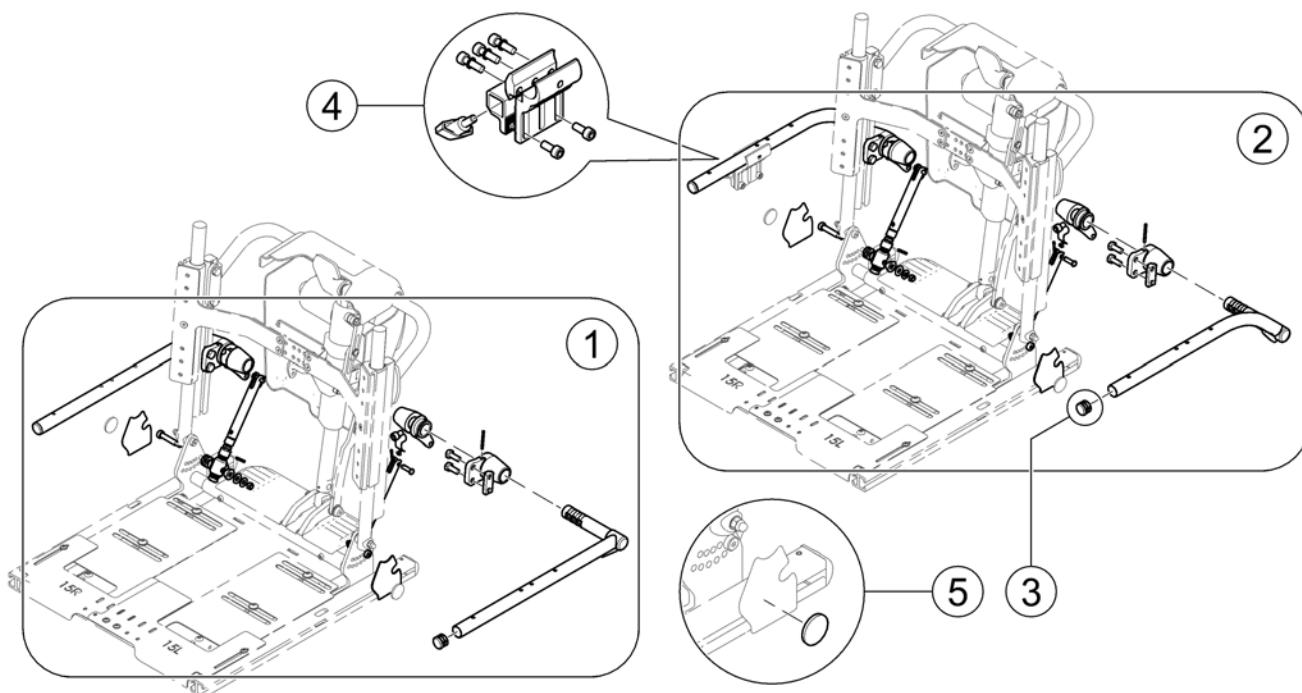
# Recline Flip-Up Armrest



Pos.	Part number	Description	Valid from → until	Qty
1	SPTRC1933	Reclining Arm Flip-Back 240-330mm		1
2	SPTRC1934	Reclining Arm Flip-Back 330-405mm		1
3	SPTRC2135	Flip Back Lever with connector LH		1
4	SPTRC2134	Flip Back Lever with connector RH		1
5	SPTRM0130	Armrest-pipe cap		1
6	SPTRC2060	Clamp with square tube adapter		1
7	SP1582989	Reflector yellow D=43/38mm		1

## Cantilever Flip-Up Armrest

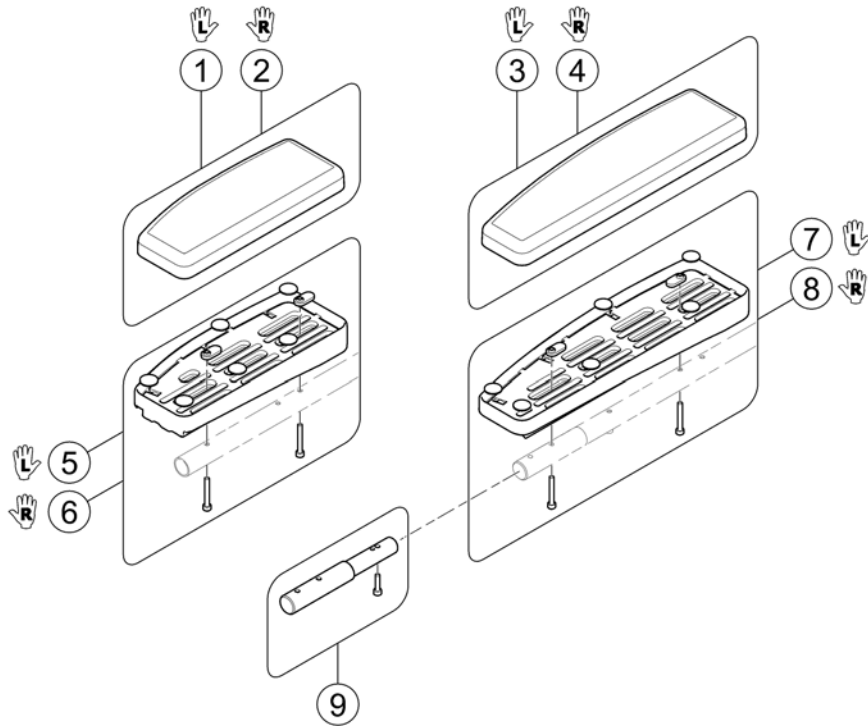
158504.iso



Pos.	Part number	Description	Valid from → until	Qty
1	SPTRC1936	Cantilever Flip-Back Desk 240-330mm		1
2	SPTRC1937	Cantilever Flip-Back Desk 320-405mm		1
3	SPTRM0130	Armrest-pipe cap		1
4	SPTRC2060	Clamp with square tube adapter		1
5	SP1582989	Reflector yellow D=43/38mm		1

# Armpads, Desk & Full

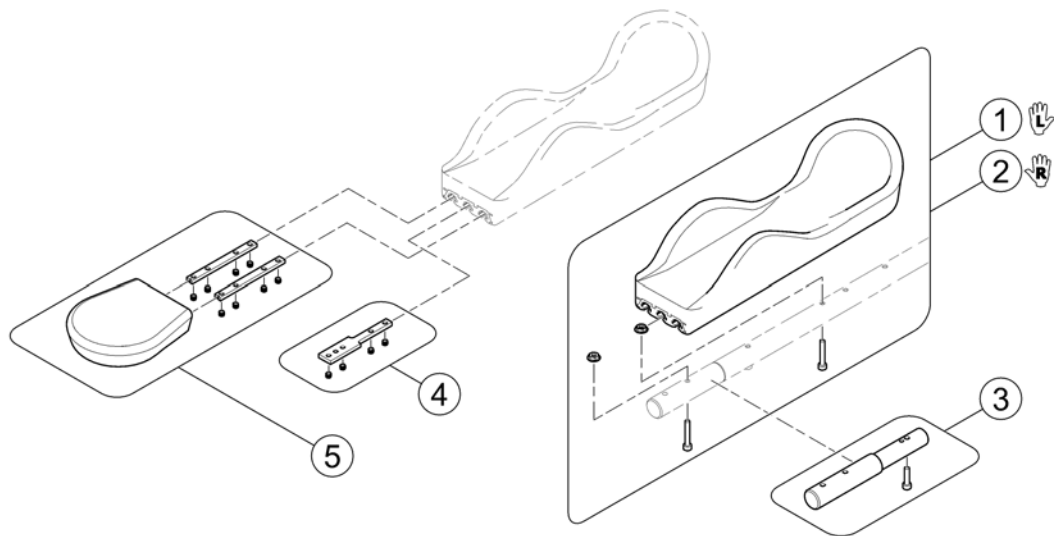
1588502 Rev



Pos.	Part number	Description	Valid from → until	Qty
1	SPTRX8038	Armpad, Desk Amrest, LH		1
2	SPTRX8037	Armpad, Desk Amrest, RH		1
3	SPTRX8036	Armpad, Full Amrest, LH		1
4	SPTRX8035	Armpad, Full Amrest, RH		1
5	SPTRC2133	Desk Armrest; Body LH with mountig hardware		1
6	SPTRC2132	Desk Armrest; Body RH with mountig hardware		1
7	SPTRC2131	Full Armrest; Body LH with mountig hardware		1
8	SPTRC2130	Full Armrest; Body RH with mountig hardware		1
9	SPTRC1935	Desk to Full Armrest Extension Kit <i>Needed for Pos. 7 &amp; 8!</i>		1

# Armpad, Ergonomic

1588506 Rev



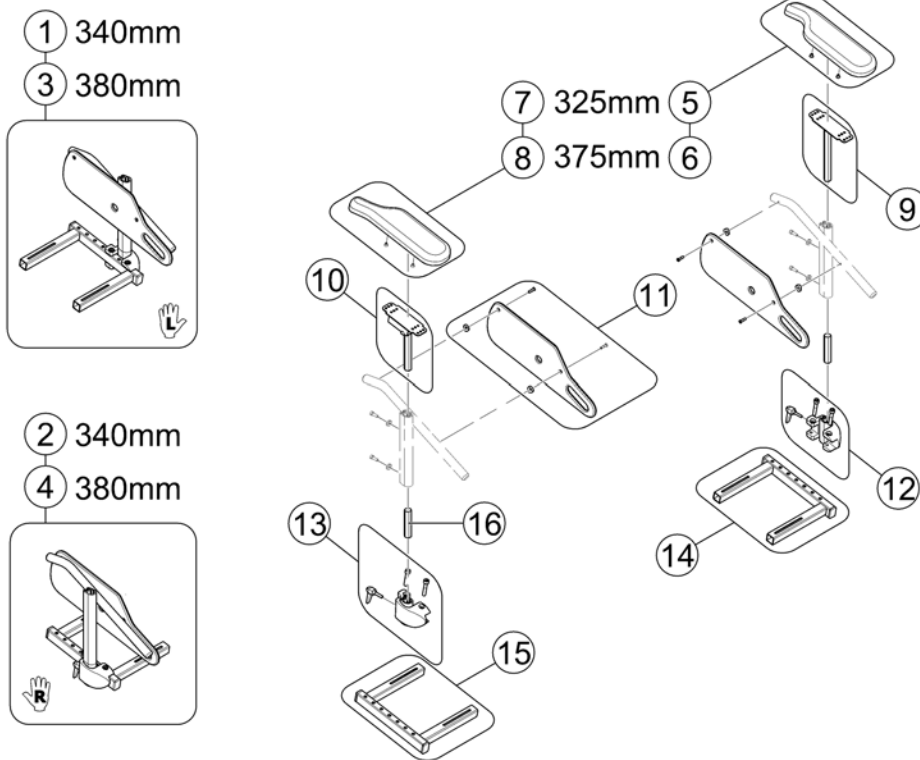
Pos.	Part number	Description	Valid from → until	Qty
1	SPTRC2100-C02	Ergonomic Arm Trough LH		1
2	SPTRC2100-C01	Ergonomic Arm Trough RH		1
3	SPTRC1935	Desk to Full Armrest Extension Kit <i>Needed for Pos. 1 &amp; 2!</i>		1
4	SPTRC2102	Mounting Hardware for Otto Bock		1
5	SPTRC2101	Flat Hand Pad		1





## Armrests for Max Seat

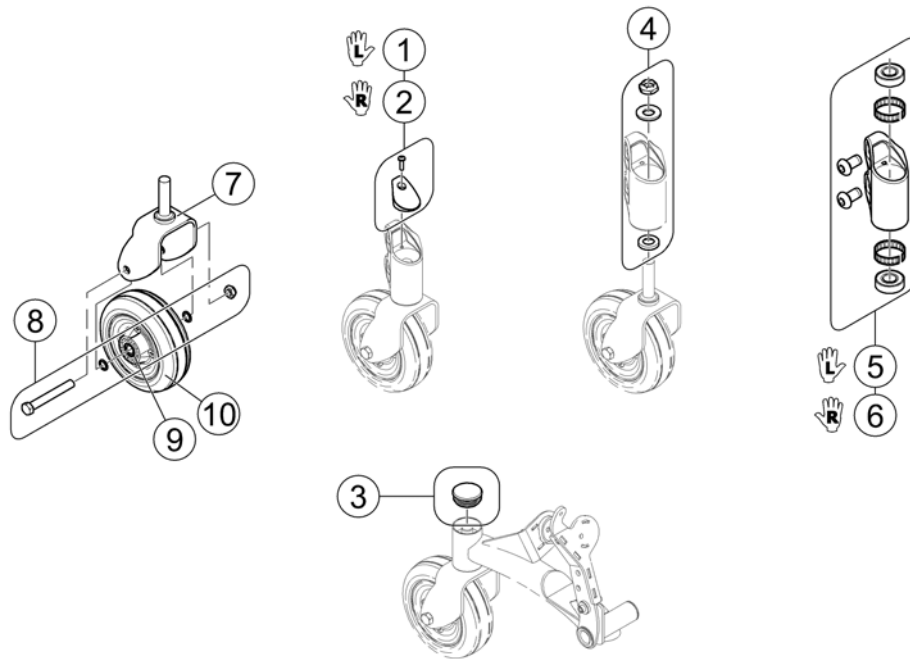
1583900.kim



Pos.	Part number	Description	Valid from → until	Qty
1	SP1583906	Siderest 340mm LH, without Armrest - Max Seat		1
2	SP1583907	Siderest 340mm RH, without Armrest - Max Seat		1
3	SP1583908	Siderest 380mm LH, without Armrest - Max Seat		1
4	SP1583909	Siderest 380mm RH, without Armrest - Max Seat		1
5	SP1443004	Ampad, Standard (325mm), LH		1
6	SP1528846	Ampad, Extended (375mm), LH		1
7	SP1449043	Ampad, Standard (325mm), RH		1
8	SP1528845	Ampad, Extended (375mm), RH		1
9	SP1510857	Ampad holder LH		1
10	SP1510856	Ampad holder RH		1
11	SP1428078	Skirtguard, seat depth 410mm		1
12	SP1541647	Clamp, LH, cpl.		1
13	SP1541646	Clamp, RH, cpl.		1
14	SP1537209	Bracket, cpl., LH		1
15	SP1537208	Bracket, cpl., RH		1
16	1422092-0002	CONNECTION PIECE		1

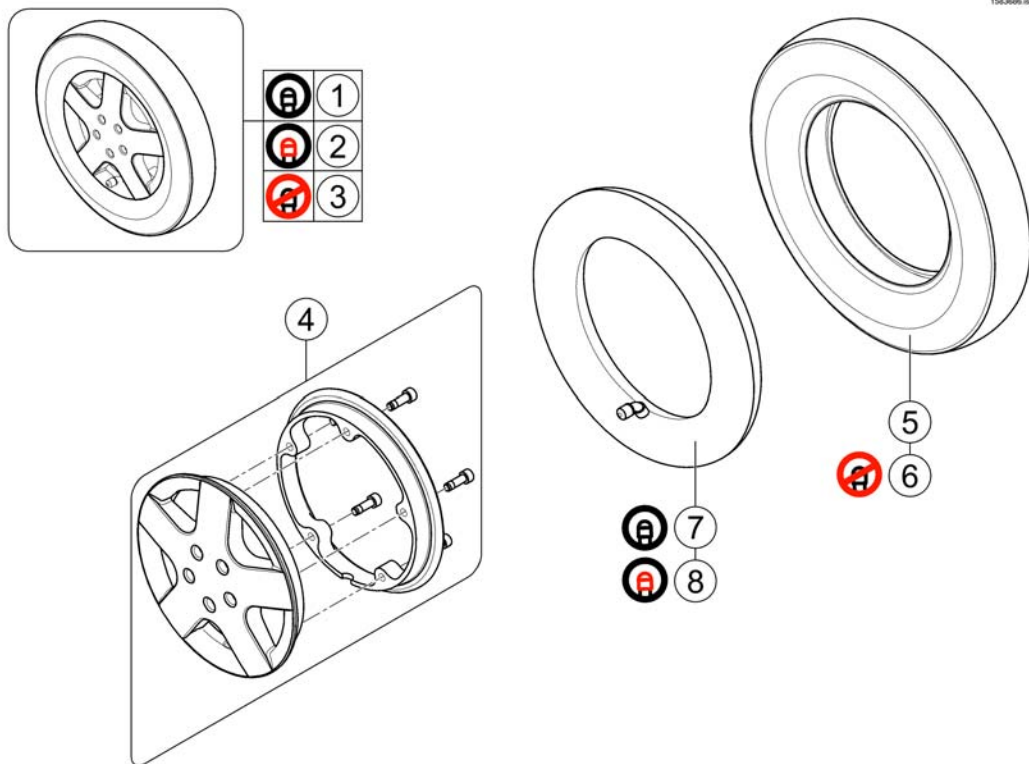
# Castors

1583268.kso



Pos.	Part number	Description	Valid from → until	Qty
1	SP1523141	Kit, Cap with Screw, Front Head Tube -Left		1
2	SP1523140	Kit, Cap with Screw, Front Head Tube -Right		1
3	SP1110709	Plug Button, Head Tube Black		1
4	SP1522999	Kit, Fork Mounting Hardware		1
5	SP1523139	Kit, Front Head Tube Assembly-Left		1
6	SP1523094	Kit, Front Head Tube Assembly-Right		1
7	SP1523016	Fork and Stem For TRRO/TRBKTS Option		1
8	SP1537431	Kit, Castor Mounting Hardware		1
9	SP1522935	Spacer, Bearing (7/16 x 5/8 x1-3/4")		1
10	SP1175881	6x2" Wheel with bearings, silver hub		1

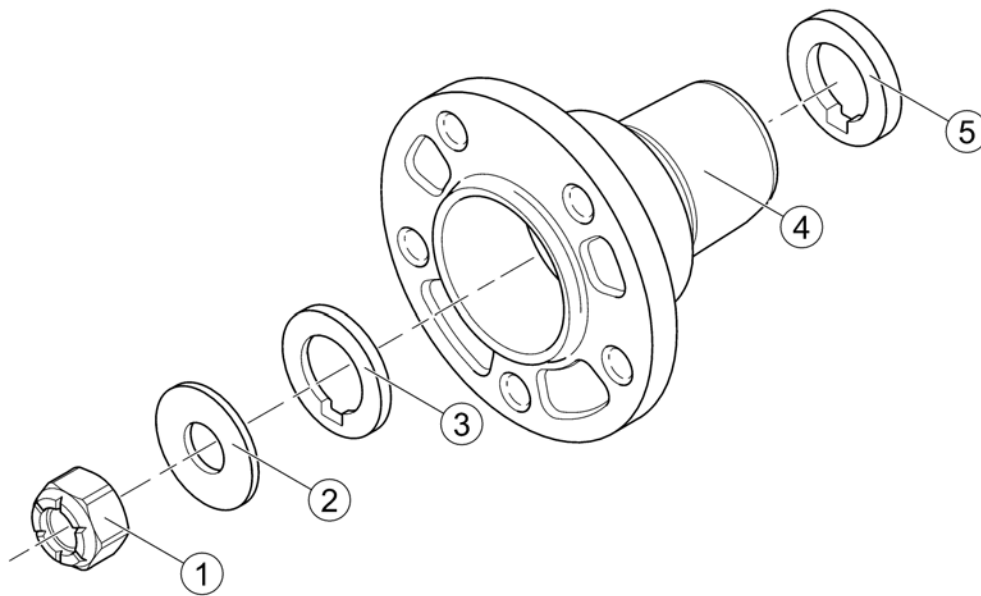
## Drive Wheels 14"



Pos.	Part number	Description	Valid from → until	Qty
1	SP1532414	Wheel 14 x 3.00" pneumatic, silver, complete		1
2	SP1532415	Wheel 14 x 3.00" puncture protected, silver, complete		1
3	SP1532416	Wheel 14 x 3.00" puncture proof, silver, complete		1
4	SP1541373	Rim Kit, complete		1
5	SP1522940	Tire 14 x 3.00"		1
6	SP1141342	Tire 14 x 3.00" puncture proof		1
7	SP1039651	Tube 14"		1
8	SP1541374	Tube 14" puncture protected		1

## Wheel Hub 5-hole

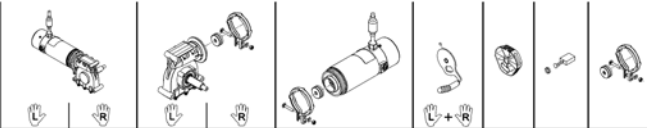
1583687 Rev



Pos.	Part number	Description	Valid from → until	Qty
1	F00108	Hexagon nut DIN985-M12x1,5 zc		1
2	G00104	Washer DIN125-Ø13 zc		1
3	SP1544342	Washer with feather nut, 5mm thick, d=19mm		1
4	SP1163728	Wheel hub 5-hole		1
5	SP1163729	Spacer, Hub, 5mm thick		1

# Overview Propulsion SSD

1163090X.iso



Model	Speed	Configuration	1	2	33	34	37	---	51	45
Bora/ SpectraXTR	6km/h	ACS/ Shark	1	2	33	34	37	---	51	45
		VR2	3	4	33	34	43	---	51	45
		R-Net	5	6	33	34	41	---	51	45
	10km/h	ACS/ Shark	7	8	31	32	36	---	51	45
		VR2	9	10	31	32	40	---	51	45
		R-Net	11	12	31	32	42	---	51	45
BoraHD/ Spectra XTR2HD	6km/h	ACS/ Shark	54	55	33	34	39	---	51	46
	10km/h		56	57	31	32	38	---	51	46
	6km/h	R-Net	58	59	33	34	62	---	51	46
	10km/h		60	61	31	32	63	---	51	46
FDX	6km/h	ACS/ Shark	13	14	33	34	37	53	---	45
	6km/h		54	55	33	34	39	53	---	46
	10km/h		15	16	31	32	38	53	---	46
Kite	6km/h	ACS/ Shark	17	18	33	34	37	---	51	45
	10km/h		19	20	31	32	36	---	51	45
Kite HD	6km/h	ACS/ Shark	21	22	33	34	39	---	51	46
	10km/h		23	24	31	32	38	---	51	46
Storm4/ Storm4 X-plore	6km/h	ACS/ Shark	47	48	34	33	39	---	51	46
	10km/h		27	28	32	31	38	---	51	46
TDX-SP	6km/h	ACS/ Shark	25	26	34	33	39	53	---	46
	8km/h		29	30	34	33	38	53	---	46
	10km/h		49	50	32	31	38	53	---	46
TDX-SP Narrow	6km/h	ACS/ Shark	25	26	34	33	39	53	---	46
	10km/h		49	50	32	31	38	53	---	46

a) used from 28.09.11 / b) used from 07.09.11 / c) used from 18.04.11 / d) used from 01.08.11 / e) used till 31.05.13 / f) used from 01.06.13 (S/N 13P06000078)

Pos.	Part number	Description	Valid from → until	Qty
-	N23004	Feather key DIN6885-A-6x6x40		1
1	SP1524195	Propulsion cpl. LH, Gearbox i = 23:1, Motor, 2-pole, 250W, slow, 600mm cable		1
2	SP1524194	Propulsion cpl. RH, Gearbox i = 23:1, Motor, 2-pole, 250W, slow, 600mm cable		1
3	SP1541408	Propulsion cpl. LH, Gearbox i = 23:1, Motor, 2-pole, 250W, slow, 600mm cable, VR2		1
4	SP1541410	Propulsion cpl. RH, Gearbox i = 23:1, Motor, 2-pole, 250W, slow, 600mm cable, VR2		1
5	SP1541409	Propulsion cpl. LH, Gearbox i = 23:1, Motor, 2-pole, 250W, slow, 600mm cable, R-Net		1
6	SP1541411	Propulsion cpl. RH, Gearbox i = 23:1, Motor, 2-pole, 250W, slow, 600mm cable, R-Net		1
7	SP1524197	Propulsion cpl. LH, Gearbox i = 18:1, Motor, 2-pole, 250W, fast, 600mm cable		1
8	SP1524196	Propulsion cpl. RH, Gearbox i = 18:1, Motor, 2-pole, 250W, fast, 600mm cable		1
9	SP1541404	Propulsion cpl. LH, Gearbox i = 18:1, Motor, 2-pole, 250W, fast, 600mm cable, VR2		1
10	SP1541406	Propulsion cpl. RH, Gearbox i = 18:1, Motor, 2-pole, 250W, fast, 600mm cable, VR2		1
11	SP1541405	Propulsion cpl. LH, Gearbox i = 18:1, Motor, 2-pole, 250W, fast, 600mm cable, R-Net		1
12	SP1541407	Propulsion cpl. RH, Gearbox i = 18:1, Motor, 2-pole, 250W, fast, 600mm cable, R-Net		1
13	SP1168983	Propulsion cpl. LH, Gearbox i = 23:1, Motor, 2-pole, 250W, slow, 600mm cable		1
14	SP1168984	Propulsion cpl. RH, Gearbox i = 23:1, Motor, 2-pole, 250W, slow, 600mm cable		1
15	SP1168989	Propulsion cpl. LH, Gearbox i = 18:1, Motor, 4-pole, 340W, fast, 760mm cable		1
16	SP1168988	Propulsion cpl. RH, Gearbox i = 18:1, Motor, 4-pole, 340W, fast, 760mm cable		1
17	SP1568147	Propulsion cpl. LH, Gearbox i = 23:1, Motor, 2-pole, 250W, slow, 600mm cable		1

## Overview Propulsion SSD

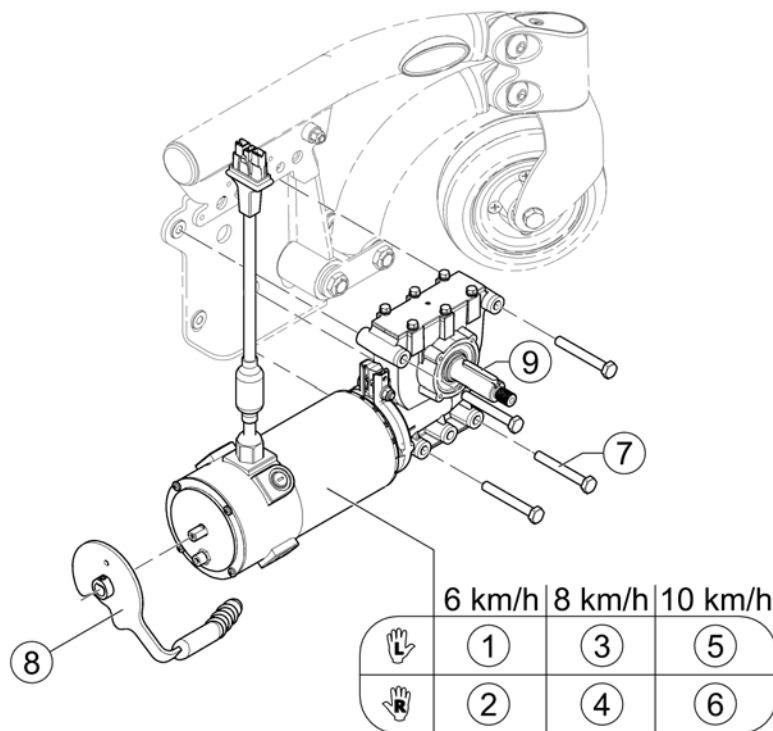
Pos.	Part number	Description	Valid from → until	Qty
18	SP1568148	Propulsion cpl. RH, Gearbox i = 23:1, Motor, 2-pole, 250W, slow, 600mm cable		1
19	SP1568149	Propulsion cpl. LH, Gearbox i = 18:1, Motor, 2-pole, 250W, fast, 600mm cable		1
20	SP1568150	Propulsion cpl. RH, Gearbox i = 18:1, Motor, 2-pole, 250W, fast, 600mm cable		1
21	SP1568151	Propulsion cpl. LH, Gearbox i = 23:1, Motor, 4-pole, 340W, slow, 760mm cable		1
22	SP1568152	Propulsion cpl. RH, Gearbox i = 23:1, Motor, 4-pole, 340W, slow, 760mm cable		1
23	SP1568153	Propulsion cpl. LH, Gearbox i = 18:1, Motor, 4-pole, 340W, fast, 760mm cable		1
24	SP1568208	Propulsion cpl. RH, Gearbox i = 18:1, Motor, 4-pole, 340W, fast, 760mm cable		1
25	SP1536022	Propulsion cpl. LH, Gearbox i = 23:1, Motor, 4-pole, 340W, slow, 760mm cable		1
26	SP1536021	Propulsion cpl. RH, Gearbox i = 23:1, Motor, 4-pole, 340W, slow, 760mm cable		1
27	SP1541366	Propulsion cpl. LH, Gearbox i = 18:1, Motor, 4-pole, 340W, fast, 760mm cable <i>S/N 061122610151 =&gt;</i>		1
28	SP1541365	Propulsion cpl. RH, Gearbox i = 18:1, Motor, 4-pole, 340W, fast, 760mm cable <i>S/N 061122610151 =&gt;</i>		1
29	SP1170307	Propulsion cpl. LH, Gearbox i = 23:1, Motor, 4-pole, 340W, fast, 760mm cable		1
30	SP1170306	Propulsion cpl. RH, Gearbox i = 23:1, Motor, 4-pole, 340W, fast, 760mm cable		1
31	SP1163413	Gearbox, LH, i = 18:1		1
32	SP1163412	Gearbox, RH, i = 18:1		1
33	SP1163415	Gearbox, LH, i = 23:1		1
34	SP1163414	Gearbox, RH, i = 23:1		1
35	SP1542953	Clamp band with clutch		1
36	SP1163099	Motor, 2-pole, 250W, fast, 600mm cable, ACS		1
37	SP1164046	Motor, 2-pole, 250W, slow, 600mm cable, ACS		1
38	SP1165863	Motor, 4-pole, 340W, fast, 760mm cable, ACS		1
39	SP1165865	Motor, 4-pole, 340W, slow, 760mm cable, ACS		1
40	SP1544840	Motor, 2-pole, 250W, fast, 600mm cable, VR2		1
41	SP1544796	Motor, 2-pole, 250W, slow, 600mm cable, R-Net		1
42	SP1544841	Motor, 2-pole, 250W, fast, 600mm cable, R-Net		1
43	SP1544795	Motor, 2-pole, 250W, slow, 600mm cable, VR2		1
45	SP1540358	Kit, brushes with caps, 2-pole (Set of 2)		1
46	SP1522967	Kit, brushes with caps, 4-pole (Set of 4)		1
47	SP1583821	Propulsion cpl. LH, Gearbox i = 23:1, Motor, 4-pole, 340W, slow, 760mm cable <i>S/N 061122812868 =&gt;</i>		1
48	SP1583822	Propulsion cpl. RH, Gearbox i = 23:1, Motor, 4-pole, 340W, slow, 760mm cable <i>S/N 061122812868 =&gt;</i>		1
49	SP1534060	Propulsion cpl. LH, Gearbox i = 18:1, Motor 4-pole, 340W, fast, 760mm cable, ACS		1
50	SP1534059	Propulsion cpl. RH, Gearbox i = 18:1, Motor 4-pole, 340W, fast, 760mm cable, ACS		1
51	SP1579595	Declutching knob SSD RHLH (1 pc) <i>Single part. Consider to buy another one for the other side if required. - Replaces SP1168668, SP1168669 &amp; SP1169005</i>		1
53	SP1169004	Declutching lever, complete set (2 pcs.)		1
54	SP1552782	Propulsion cpl. LH, Gearbox i = 23:1, Motor 4-pole, 340W, slow, 760mm cable, ACS		1
55	SP1552783	Propulsion cpl. RH, Gearbox i = 23:1, Motor 4-pole, 340W, slow, 760mm cable, ACS		1

**Overview Propulsion SSD**

Pos.	Part number	Description	Valid from → until	Qty
56	SP1552872	Propulsion cpl. LH, Gearbox i = 18:1, Motor 4-pole, 340W, fast, 760mm cable, ACS		1
57	SP1552873	Propulsion cpl. RH, Gearbox i = 18:1, Motor 4-pole, 340W, fast, 760mm cable, ACS		1
58	SP1552832	Propulsion cpl. LH, Gearbox i = 23:1, Motor 4-pole, 340W, slow, 760mm cable, R-Net		1
59	SP1552833	Propulsion cpl. RH, Gearbox i = 23:1, Motor 4-pole, 340W, slow, 760mm cable, R-Net		1
60	SP1552836	Propulsion cpl. LH, Gearbox i = 18:1, Motor 4-pole, 340W, fast, 760mm cable, R-Net		1
61	SP1552837	Propulsion cpl. RH, Gearbox i = 18:1, Motor 4-pole, 340W, fast, 760mm cable, R-Net		1
62	SP1562498	Motor, 4-Pol, 340W, slow, 760mm cable, R-Net		1
63	SP1562499	Motor, 4-Pol, 340W, fast, 760mm cable, R-Net		1

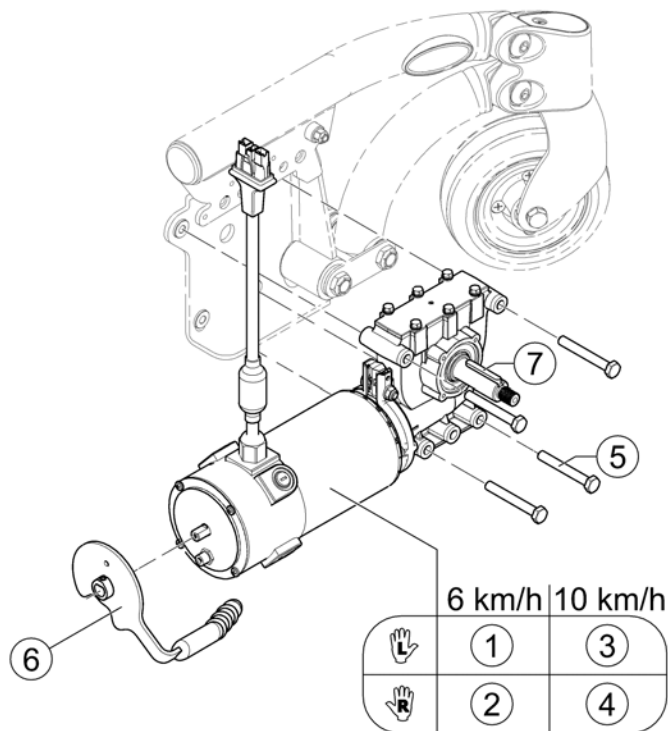
# Propulsion SSD - Wide Base

156368 Rev



Pos.	Part number	Description	Valid from → until	Qty
1	SP1536022	Propulsion cpl. LH, Gearbox i = 23:1, Motor, 4-pole, 340W, slow, 760mm cable		1
2	SP1536021	Propulsion cpl. RH, Gearbox i = 23:1, Motor, 4-pole, 340W, slow, 760mm cable		1
3	SP1170307	Propulsion cpl. LH, Gearbox i = 23:1, Motor, 4-pole, 340W, fast, 760mm cable		1
4	SP1170306	Propulsion cpl. RH, Gearbox i = 23:1, Motor, 4-pole, 340W, fast, 760mm cable		1
5	SP1534060	Propulsion cpl. LH, Gearbox i = 18:1, Motor 4-pole, 340W, fast, 760mm cable, ACS		1
6	SP1534059	Propulsion cpl. RH, Gearbox i = 18:1, Motor 4-pole, 340W, fast, 760mm cable, ACS		1
7	D00100	Hexagon bolt DIN931-M08x60-8.8 bk		4
8	SP1169004	Declutching lever, complete set (2 pcs.)		1
9	N23004	Feather key DIN6885-A-6x6x40		1

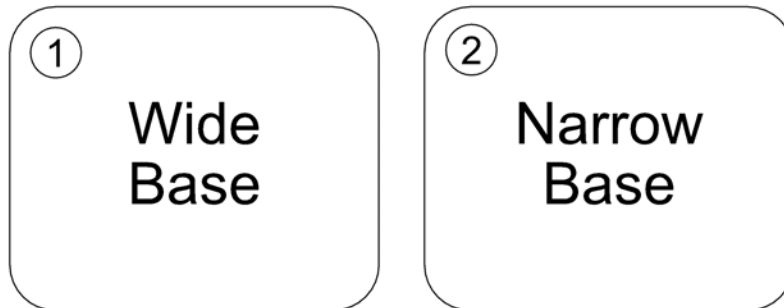




Pos.	Part number	Description	Valid from → until	Qty
1	SP1536022	Propulsion cpl. LH, Gearbox i = 23:1, Motor, 4-pole, 340W, slow, 760mm cable		1
2	SP1536021	Propulsion cpl. RH, Gearbox i = 23:1, Motor, 4-pole, 340W, slow, 760mm cable		1
3	SP1534060	Propulsion cpl. LH, Gearbox i = 18:1, Motor 4-pole, 340W, fast, 760mm cable, ACS		1
4	SP1534059	Propulsion cpl. RH, Gearbox i = 18:1, Motor 4-pole, 340W, fast, 760mm cable, ACS		1
5	D00100	Hexagon bolt DIN931-M08x60-8.8 bk		4
6	SP1169004	Declutching lever, complete set (2 pcs.)		1
7	N23004	Feather key DIN6885-A-6x6x40		1

# Electronic

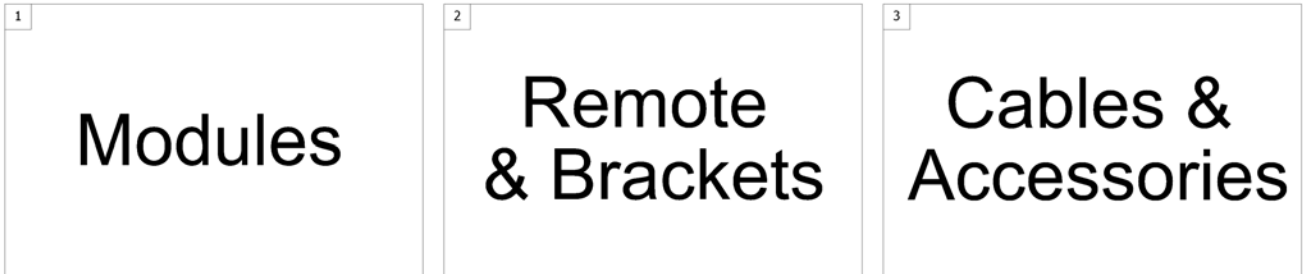
SPCTDX\_SP210.iso



Pos.	Part number	Description	Valid from → until	Qty
1	-	Electronic for Wide Base		1
2	-	Electronic for Narrow Base		1

## Electronic for Wide Base

1500784.indd



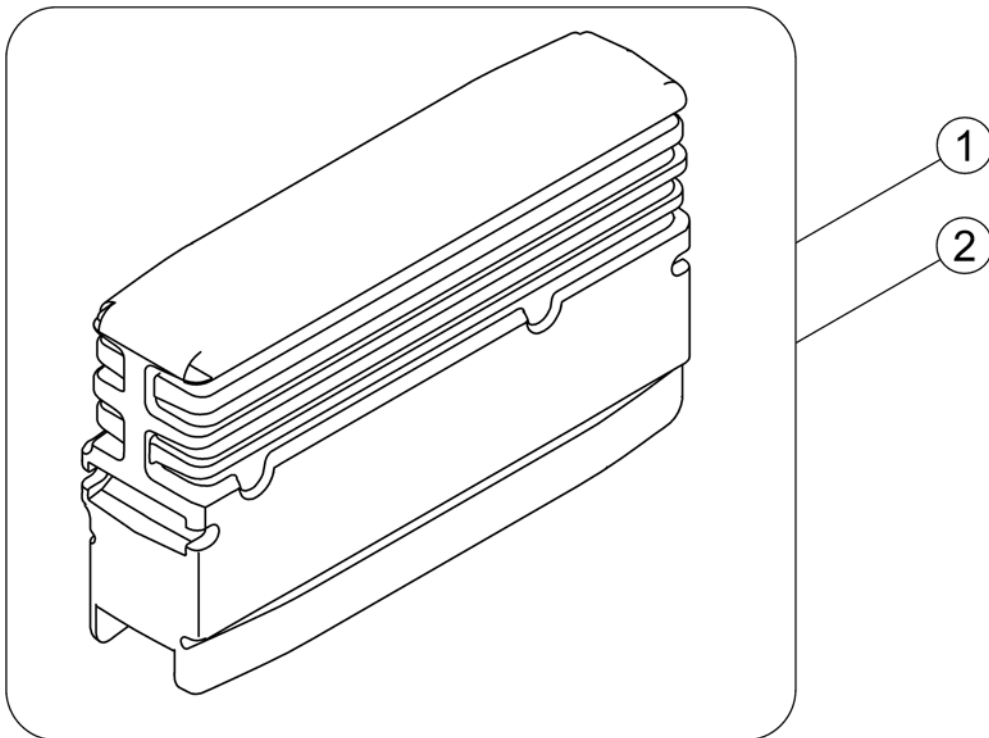
Pos.	Part number	Description	Valid from → until	Qty
1	-	ACS Electronic Modules		1
2	-	ACS Remote & Brackets		1
3	-	ACS Cables & Accessories		1

## ACS Electronic Modules

Pos.	Part number	Description	Valid from → until	Qty
-		Power Modul - ACS		1
-		Bracket for Power Modul Wide Base		1
-		ACT for ACS 2		1
-		Bracket ACT - Modulite Seat		1
-		Bracket ACT - Ultra Low Maxx Seat		1
-		Bracket ACT - Max Seat		1
-		Light Board		1
-		G-Trac-sensor		1

## Power Modul - ACS

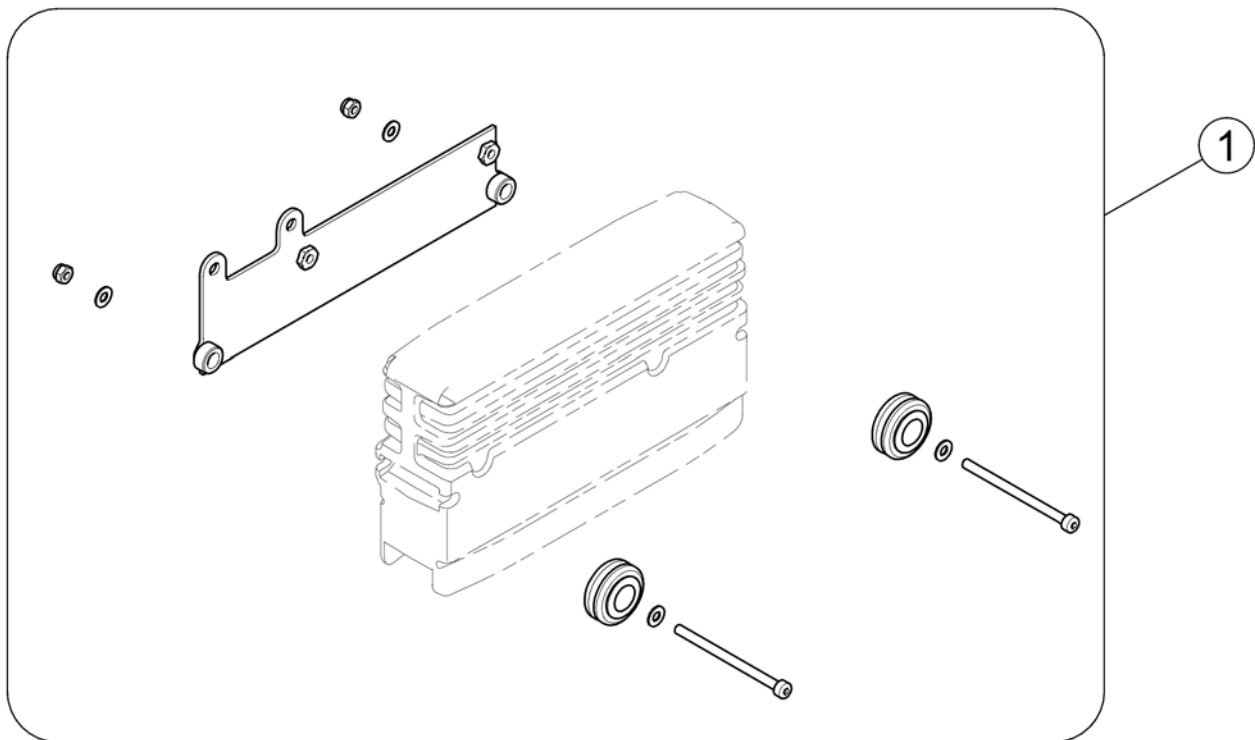
1583335.iso



Pos.	Part number	Description	Valid from → until	Qty
1	SP1524244	Powermodule, ACS2, 90A, with light, DX2-PMA90L <i>Lock washer between module and bracket!</i>		1
2	SP1537975	Powermodule, ACS2, 90A, for light and G-Trac, DX2-PMA90LG <i>Lock washer between module and bracket!</i>		1

# Bracket for Power Modul Wide Base

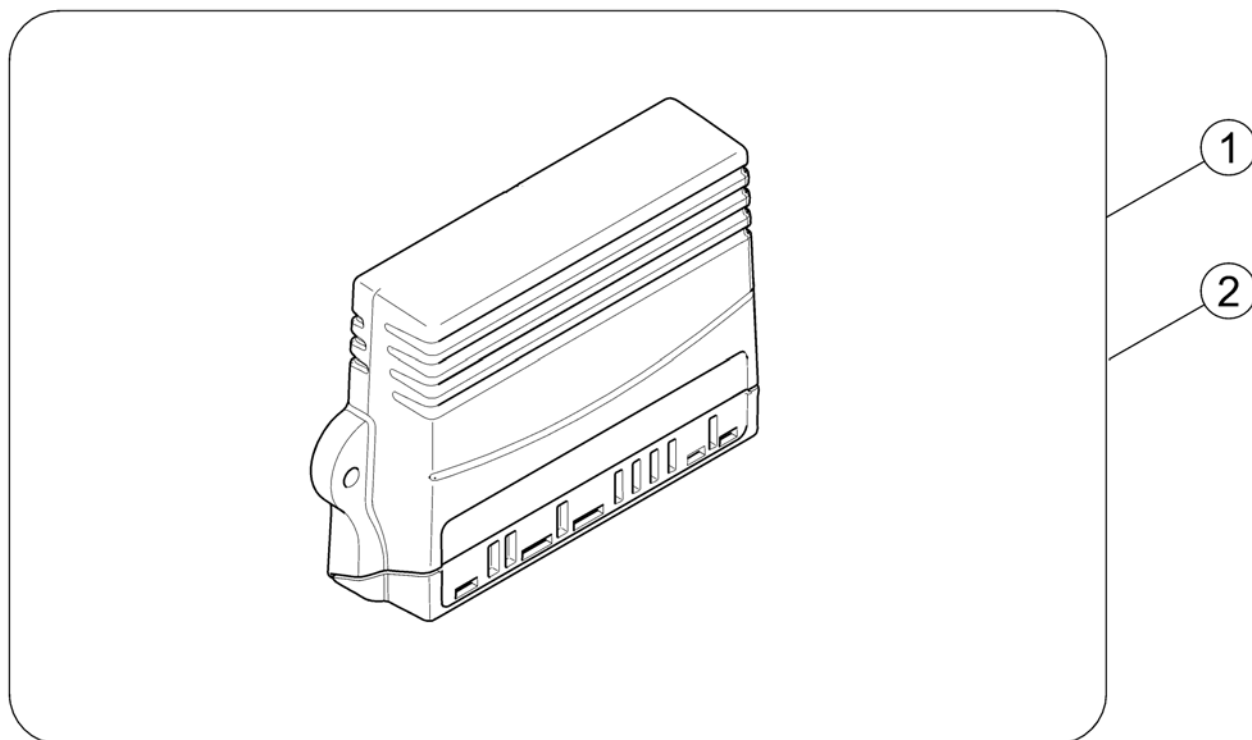
1583336.iso



Pos.	Part number	Description	Valid from → until	Qty
1	SP1583340	Bracket Power Module		1

## ACT for ACS 2

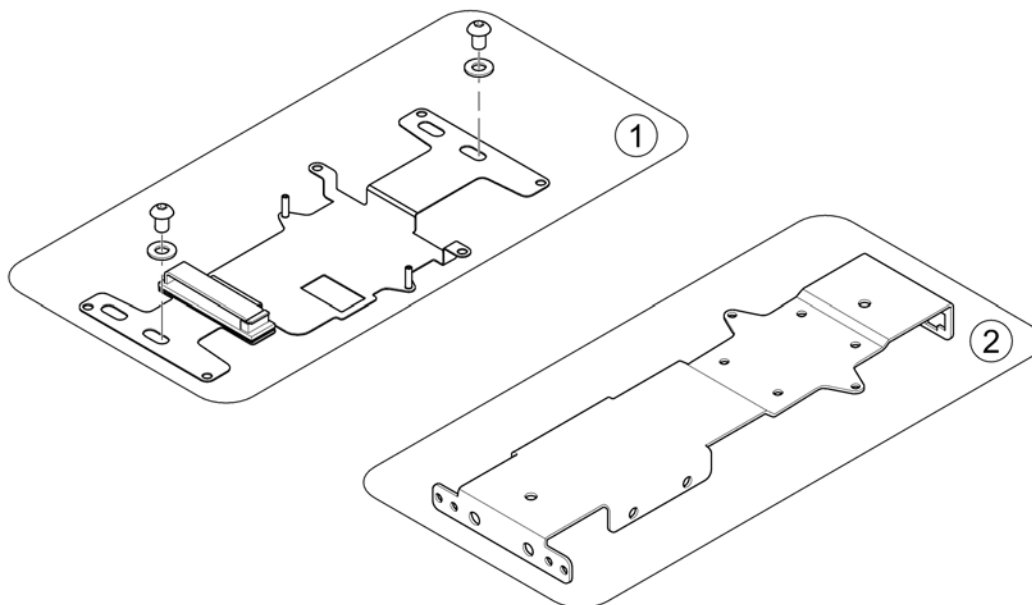
1528542X.iso



Pos.	Part number	Description	Valid from → until	Qty
1	SP1528542	ACT2 for ACS2, cpl.		1
2	SP1529382	ACT4 for ACS2, cpl.		1

# Bracket ACT - Modulite Seat

1583343 iso

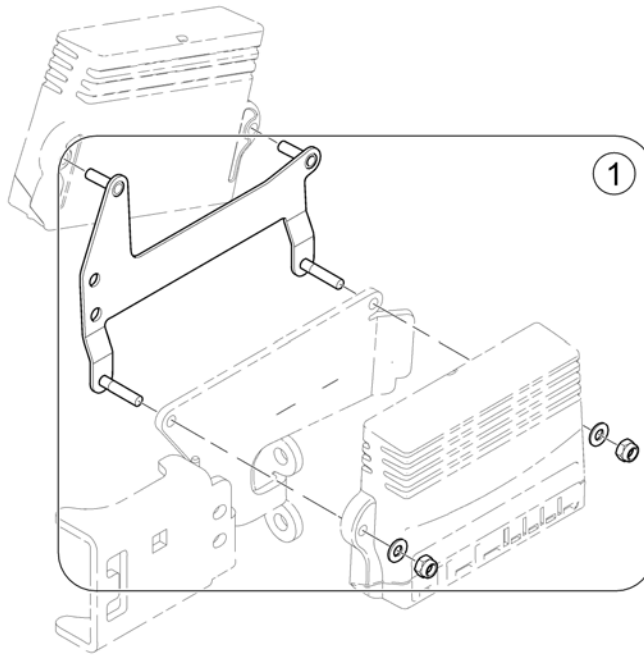


Pos.	Part number	Description	Valid from → until	Qty
1	SP1569960	ACT bracket		1
2	SP1564650	Multi support bracket		1



Invacare® TDX-SP2, TDX-SP2 NB | Electronic  
**Bracket ACT - Ultra Low Maxx Seat**

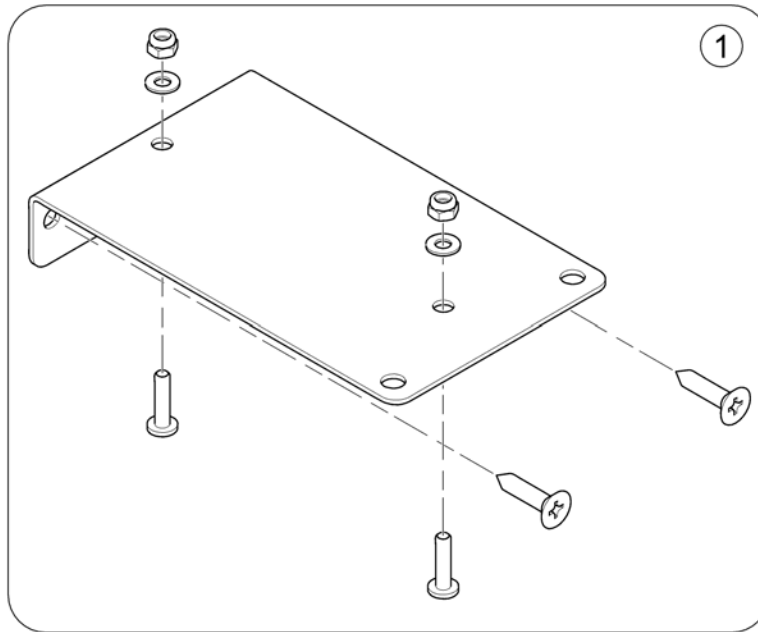
158585 Rev



Pos.	Part number	Description	Valid from → until	Qty
1	SP1584343	Bracket ACTs (Ultra Low Maxx Seat)		1

# Bracket ACT - Max Seat

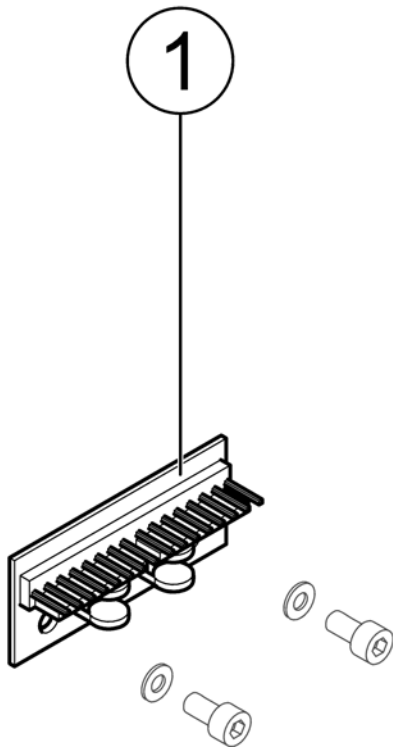
1580690\_000



Pos.	Part number	Description	Valid from → until	Qty
1	SP1580690	Bracket ACT Modul - Max Seat		1

# Light Board

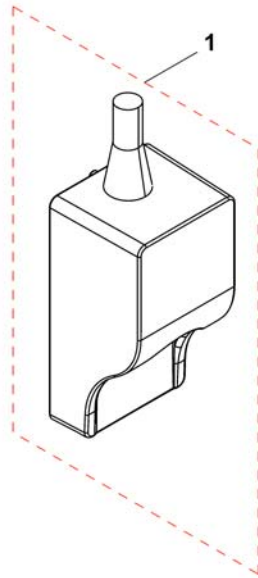
1583345.iso



Pos.	Part number	Description	Valid from → until	Qty
1	1415004	Central Light Distributor Circuit Board ACS/Shark		1

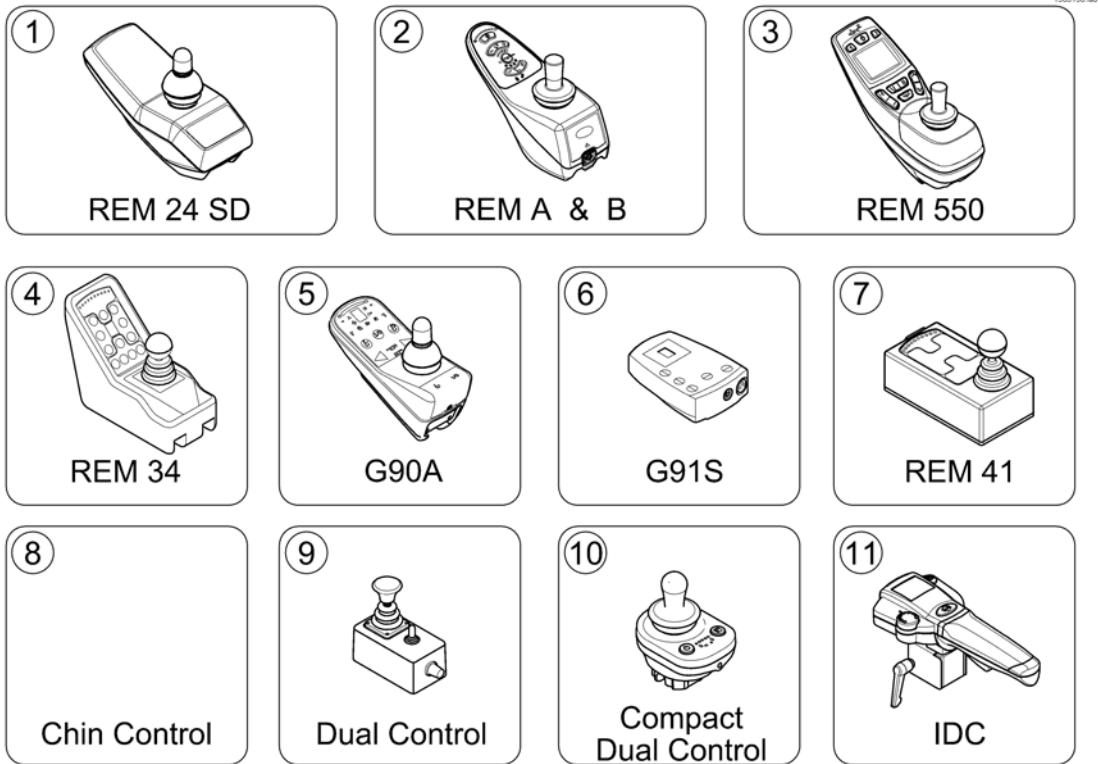
# G-Trac-sensor

1537848X.dwg



Pos.	Part number	Description	Valid from → until	Qty
1	SP1541535	G-Trac		1

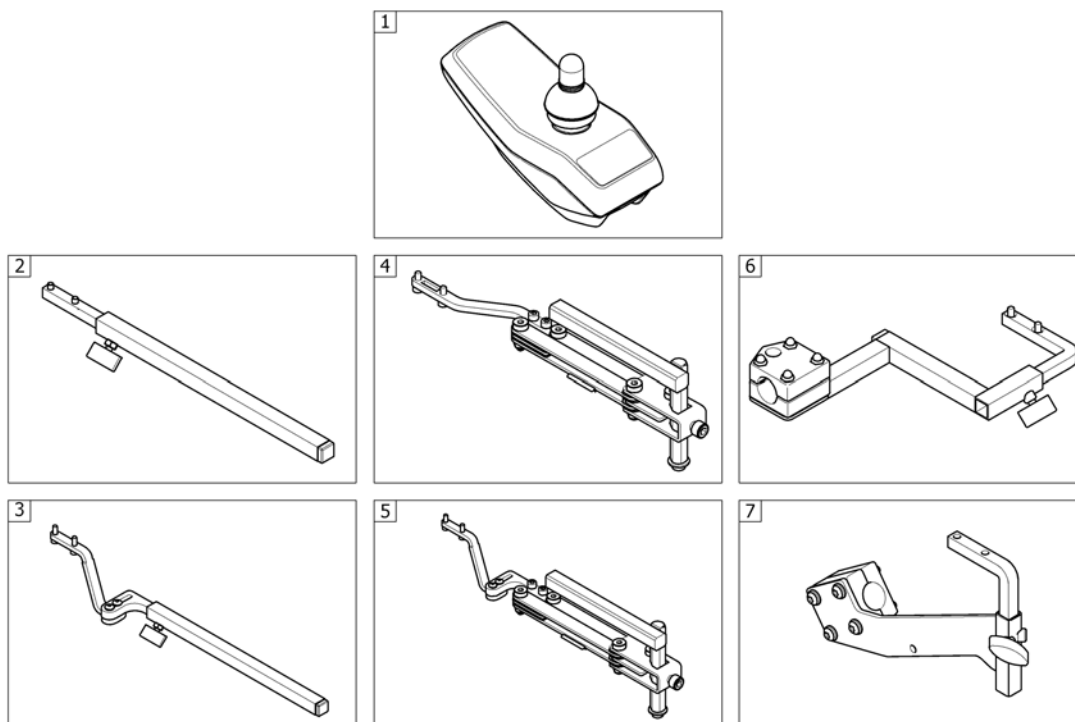
## ACS Remote & Brackets



Pos.	Part number	Description	Valid from → until	Qty
1	-	REM 24 SD with brackets <i>[1601/1602]</i>		1
2	-	REM A & B with brackets <i>[1638/1639/1643/1644]</i>		1
3	-	REM 550 with brackets <i>[1617/1618]</i>		1
4	-	REM 34 with brackets <i>[1611]</i>		1
5	-	G90A with brackets <i>[1614/1616]</i>		1
6	-	G91S with brackets <i>[1615]</i>		1
7	-	Centre control REM 41 <i>[1607/1608]</i>		1
8	-	Small Chin Control with brackets <i>[1609]</i>		1
9	-	Dual Control with brackets <i>[1291/1292]</i>	→ 2015-06-30	1
10	-	Compact Dual Control with brackets <i>[1720]</i>	2015-06-03 →	1
11	-	Intuitive Dual Control (IDC) <i>[1645]</i>		1

## REM 24 SD with brackets

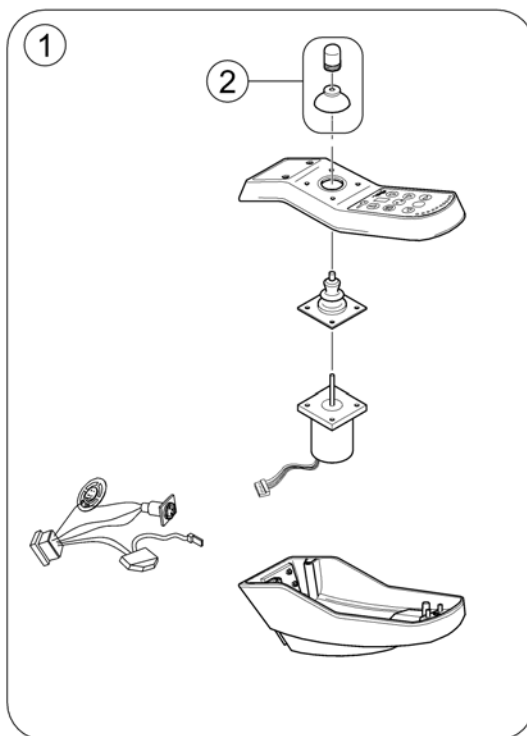
1588433 Rev



Pos.	Part number	Description	Valid from → until	Qty
1	-	Remote REM 24SD <i>[1601/1602]</i>		0
2	-	Remote Bracket Standard <i>[1601+1207/1208]</i>		1
3	-	Remote Bracket Standard - Ultra Low Maxx Seat <i>[1601+1207/1208+2020]</i>		1
4	-	Remote Bracket Swing away & height adjust. <i>[1601+1707/1708]</i>		1
5	-	Remote Bracket Swing away & height adjust. Ultra Low Maxx Seat <i>[1601+1707/1708+2020]</i>		1
6	-	Remote Bracket Attendant <i>[1602+1207/1208]</i>		1
7	-	Remote Bracket Attendant Ultra Low Maxx Seat <i>[1602+1207/1208+2020]</i>		1

# Remote REM 24SD

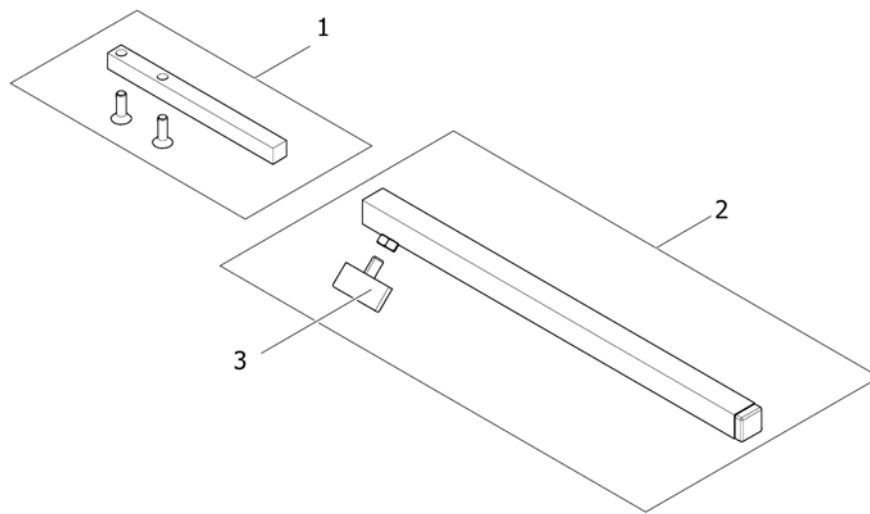
142282 860



Pos.	Part number	Description	Valid from → until	Qty
1	1436541	Remote REM24SD		1
2	SPZ183229	Remote knob cpl.		1

# Remote Bracket Standard

1559851.iso

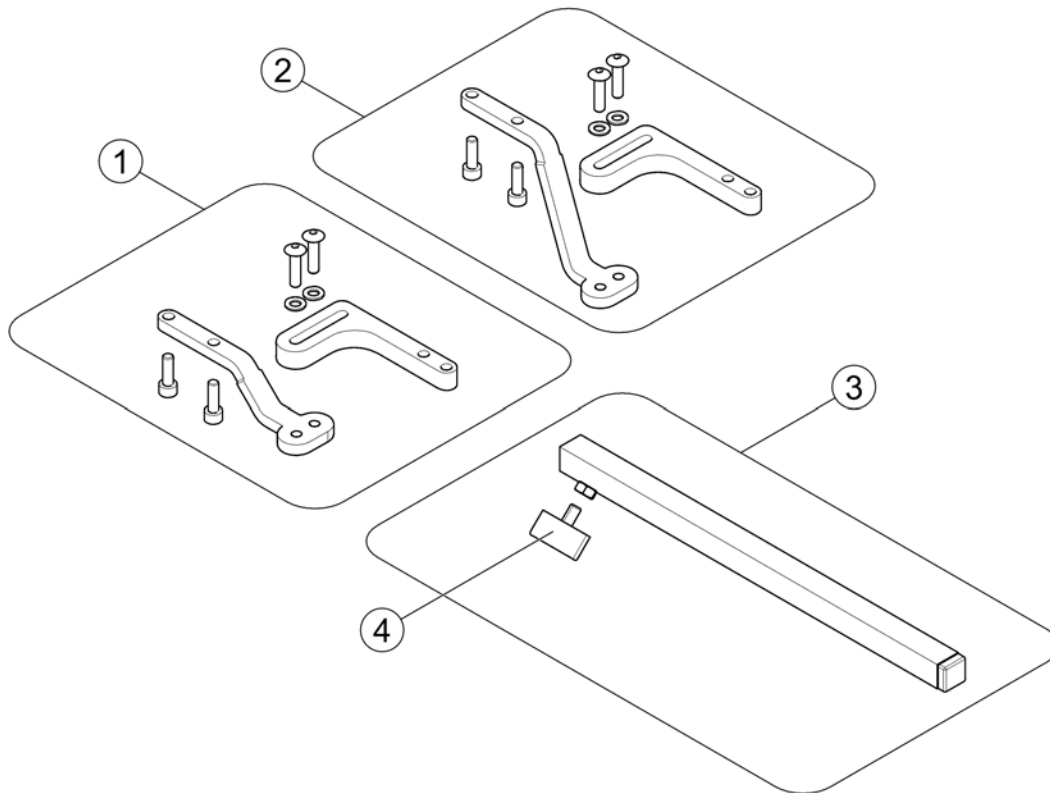


Pos.	Part number	Description	Valid from → until	Qty
1	SP1436542	Support, Standard		1
2	SPS183040	Remote Bracket, Standard		1
3	L31001	Wing Scew M6X10		1



# Remote Bracket Standard - Ultra Low Maxx Seat

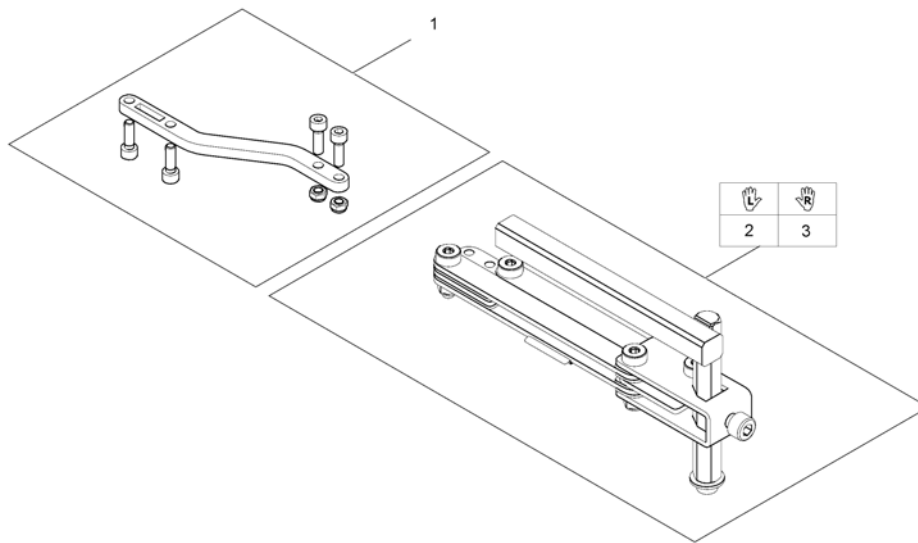
1588513.00



Pos.	Part number	Description	Valid from → until	Qty
1	SP1587309	Remote bracket Std. REM 24SD/A/B550		1
2	SP1587693	Remote bracket MACES Std - REM 24SD/A/B/550		1
3	SPS183040	Remote Bracket, Standard		1
4	L31001	Wing ScREW M6X10		1

## Remote Bracket Swing away & height adjust.

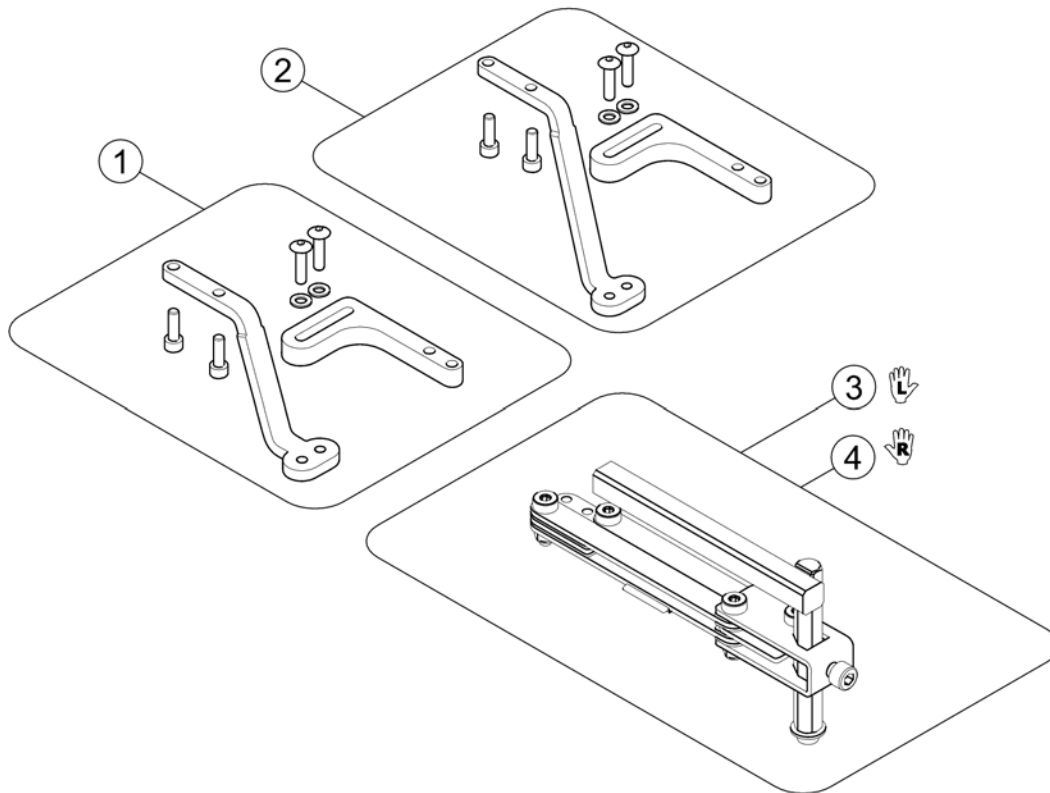
1559852.iso



Pos.	Part number	Description	Valid from → until	Qty
1	SP1498222	Remote Support for Bracket height adjustable and swing away		1
2	SP1496249	Remote bracket, height adjustable & swing away, LH		1
3	SP1496248	Remote bracket, height adjustable & swing away, RH		1

# Remote Bracket Swing away & height adjust. Ultra Low Maxx Seat

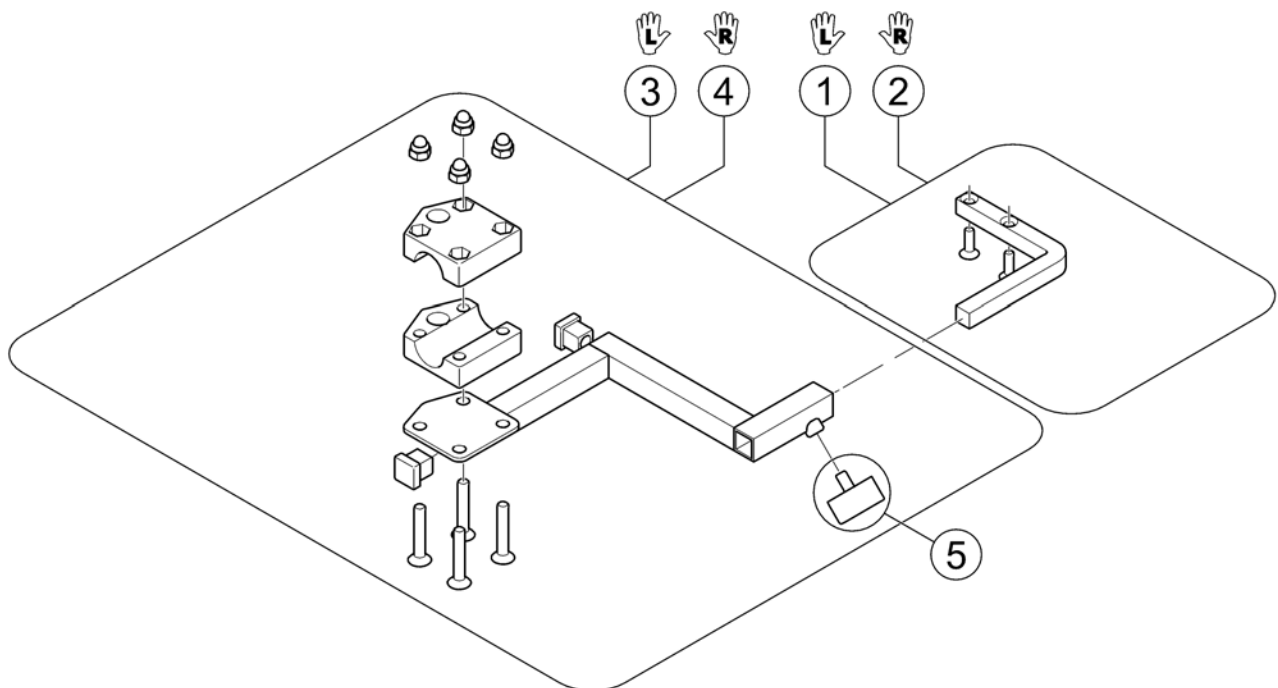
1588514.sop



Pos.	Part number	Description	Valid from → until	Qty
1	SP1587329	Remote bracket swingaway REM 24SD/A/B/550		1
2	SP1587695	Remote bracket MACES swingaway - REM 24SD/A/B/550		1
3	SP1496249	Remote bracket, height adjustable & swing away, LH		1
4	SP1496248	Remote bracket, height adjustable & swing away, RH		1

# Remote Bracket Attendant

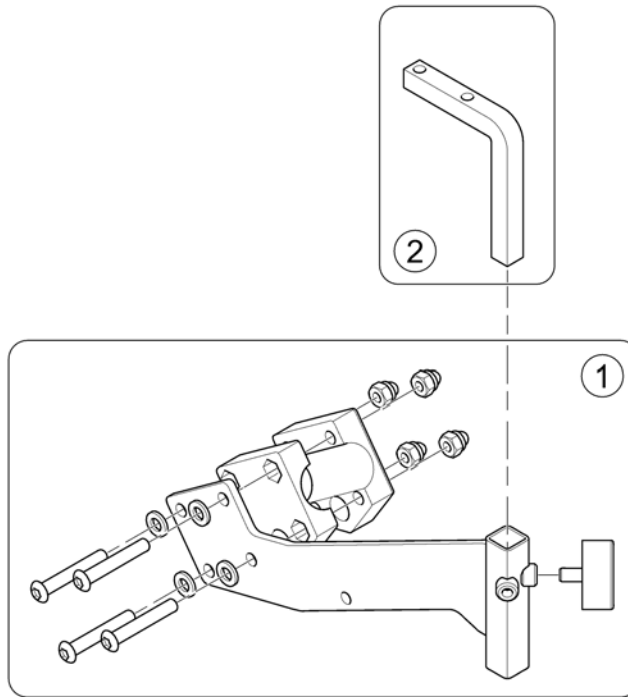
1560837.00



Pos.	Part number	Description	Valid from → until	Qty
1	1422806	Remote Support LH		1
2	1422810	Remote Support RH		1
3	SP1422937	Bracket for attendant control LH		1
4	SP1422936	Bracket for attendant control RH		1
5	L31001	Wing ScREW M6X10		1

# Remote Bracket Attendant Ultra Low Maxx Seat

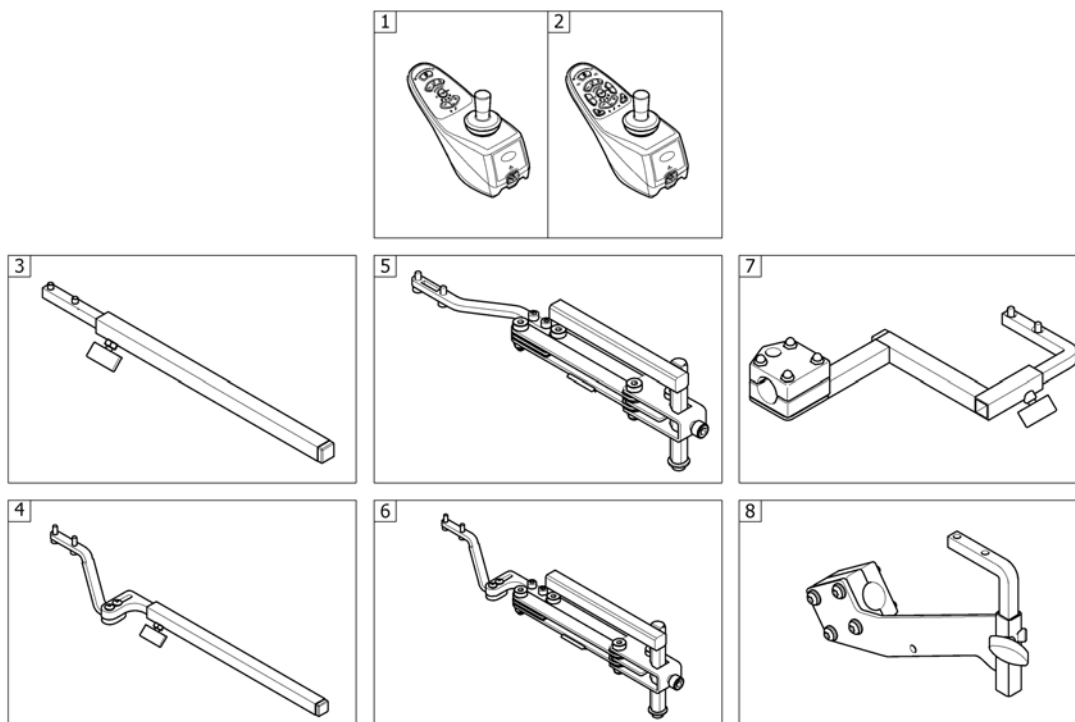
1588437 860



Pos.	Part number	Description	Valid from → until	Qty
1	SP1588427	Bracket Attendant Control		1
2	SP1587228	Adapter REM 24SD/A/B/550 (with screws)		1

## REM A & B with brackets

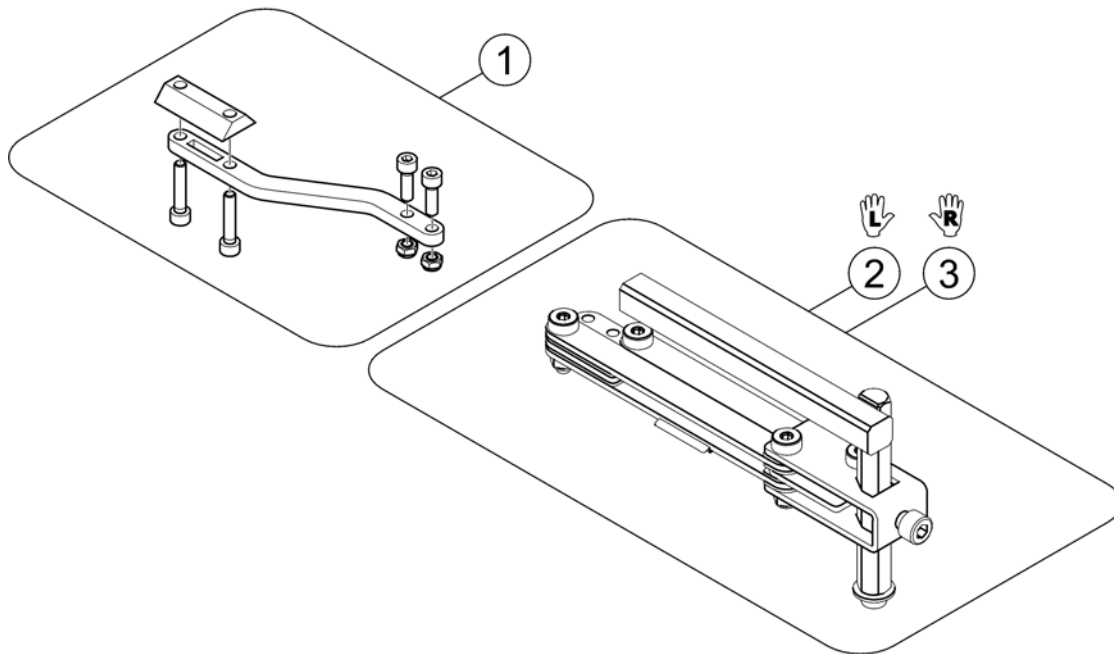
158434 Rev



Pos.	Part number	Description	Valid from → until	Qty
1	SP1523440	Remote "REM A" [1638/1643]		1
2	SP1523445	Remote "REM B" [1639/1644]		1
3	-	Remote Bracket Standard [1638/1639+1207/1208]		1
4	-	Remote Bracket Standard - Ultra Low Maxx Seat [1638/1639+1207/1208+2020]		1
5	-	Remote Bracket Swing away & height adjust. [1638/1639+1707/1708]		1
6	-	Remote Bracket Swing away & height adjust. Ultra Low Maxx Seat [1638/1639+1707/1708+2020]		1
7	-	Remote Bracket Attendant [1643/1644+1207/1208]		1
8	-	Remote Bracket Attendant Ultra Low Maxx Seat [1643/1644+1207/1208+2020]		1

# Remote Bracket Swing away & height adjust.

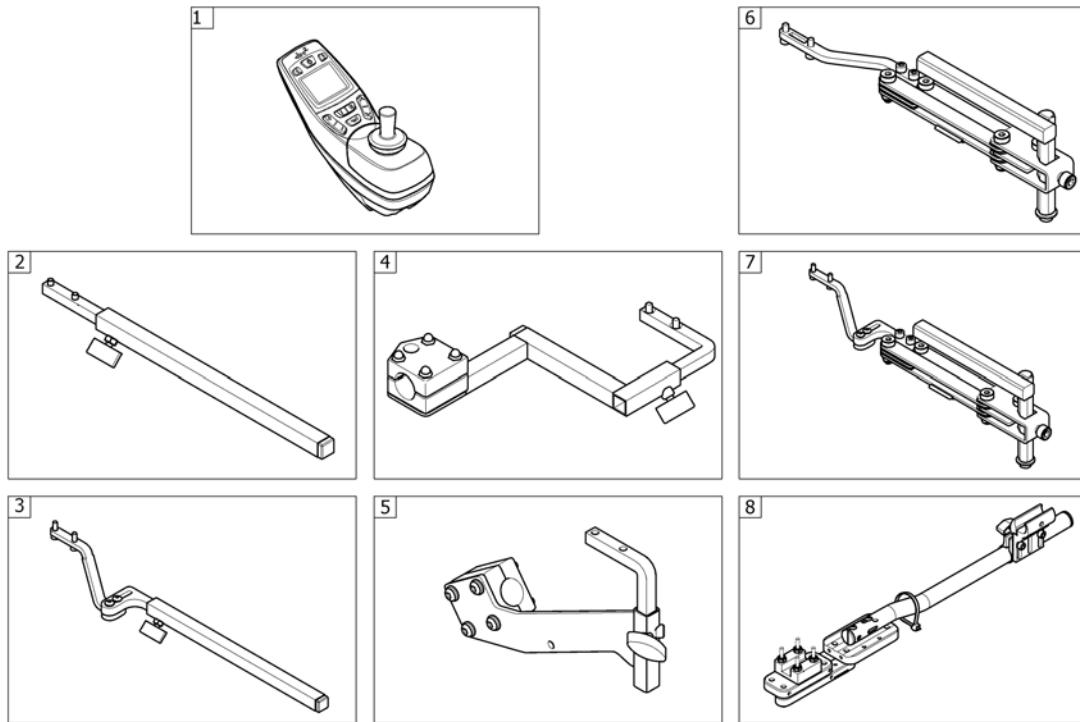
1559857.iso



Pos.	Part number	Description	Valid from → until	Qty
1	SP1536180	Support for Remote Bracket, height adjustable & swing away		1
2	SP1496249	Remote bracket, height adjustable & swing away, LH		1
3	SP1496248	Remote bracket, height adjustable & swing away, RH		1

## REM 550 with brackets

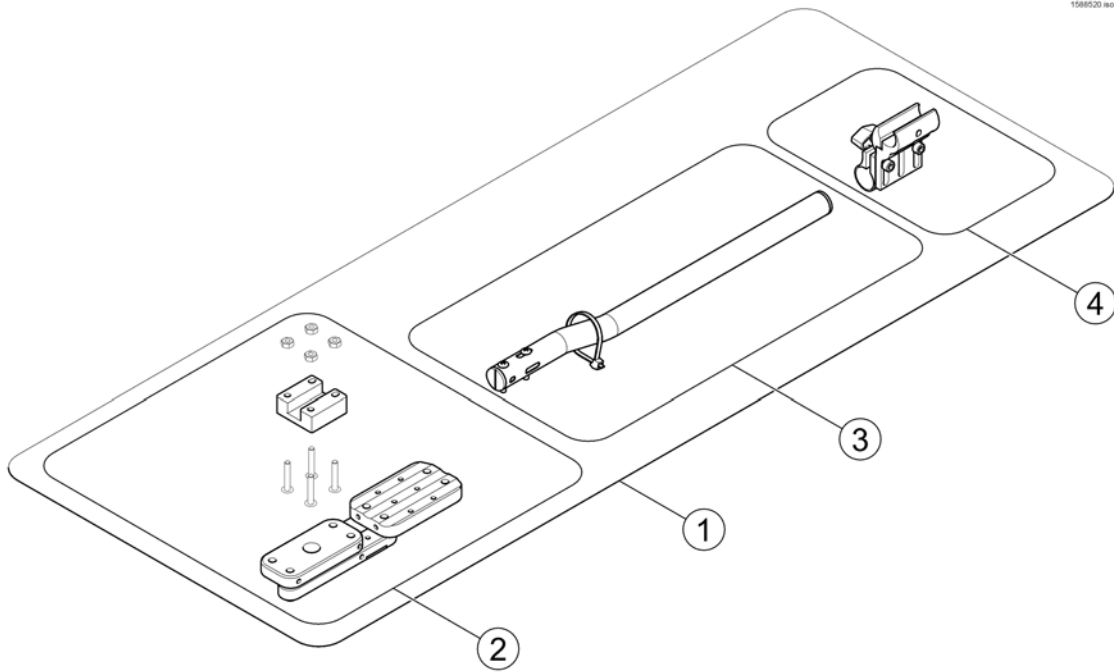
1588435 Rev



Pos.	Part number	Description	Valid from → until	Qty
1	SP1523444	Remote REM550 <i>[1617/1618]</i>		1
2	-	Remote Bracket Standard <i>[1617+1207/1208]</i>		1
3	-	Remote Bracket Standard - Ultra Low Maxx Seat <i>[1617+1207/1208+2020]</i>		1
4	-	Remote Bracket Swing away & height adjust. <i>[1617+1707/1708]</i>		1
5	-	Remote Bracket Swing away & height adjust. Ultra Low Maxx Seat <i>[1617+1707/1708+2020]</i>		1
6	-	Remote Bracket Attendant <i>[1618+1207/1208]</i>		1
7	-	Remote Bracket Attendant Ultra Low Maxx Seat <i>[1618+1207/1208+2020]</i>		1
8	-	Remote Bracket Swing away Quad Link Ultra Low Maxx Seat <i>[1617+2075/2076+2020]</i>		1



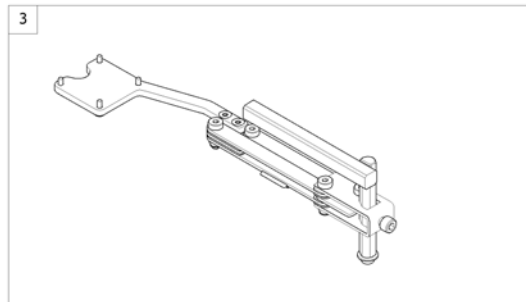
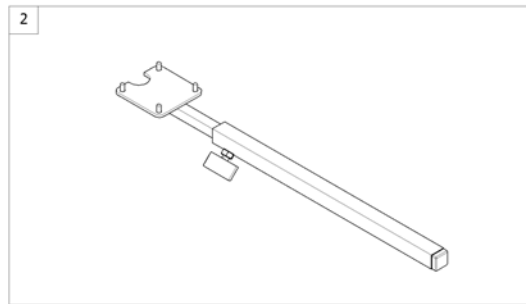
# Remote Bracket Swing away Quad Link Ultra Low Maxx Seat



Pos.	Part number	Description	Valid from → until	Qty
1	SP1584346	Quad Link, cpl.		1
2	SP1140896	Quad Link		1
3	SP1139416	Quad Link bracket		1
4	SPTRC2089	Joystick Clamp Assy Quad Link		1

## REM 34 with brackets

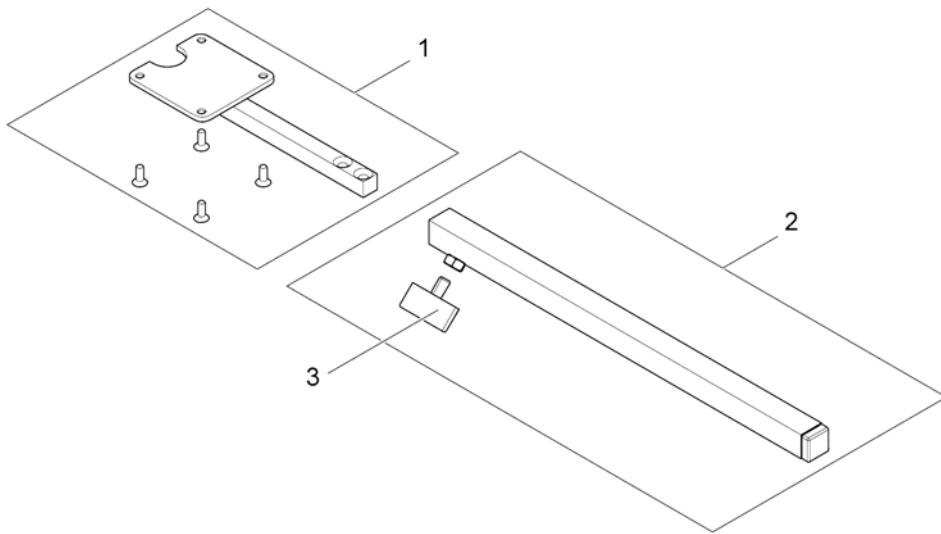
1560846 iso



Pos.	Part number	Description	Valid from → until	Qty
1	SP1440677	Remote REM 34 [1611]		1
2	-	Remote Bracket Standard [1611+1207/1208]		1
3	-	Remote Bracket Swing away & height adjust. [1611+1707/1708]		1

# Remote Bracket Standard

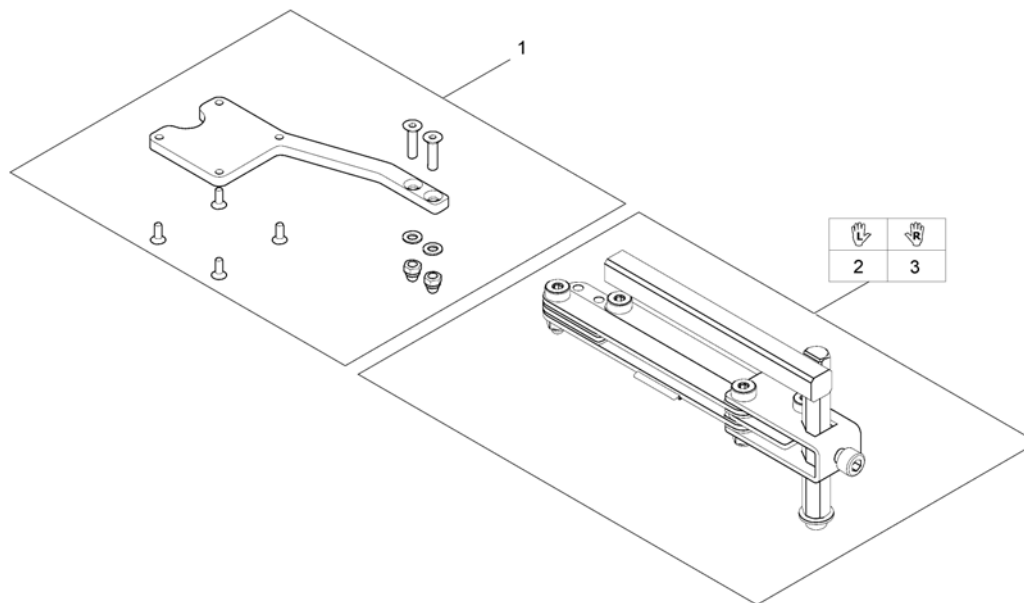
1560844.iso



Pos.	Part number	Description	Valid from → until	Qty
1	SP1434921	Remote Support Standard		1
2	SPS183040	Remote Bracket, Standard		1
3	L31001	Wing ScREW M6X10		1

## Remote Bracket Swing away & height adjust.

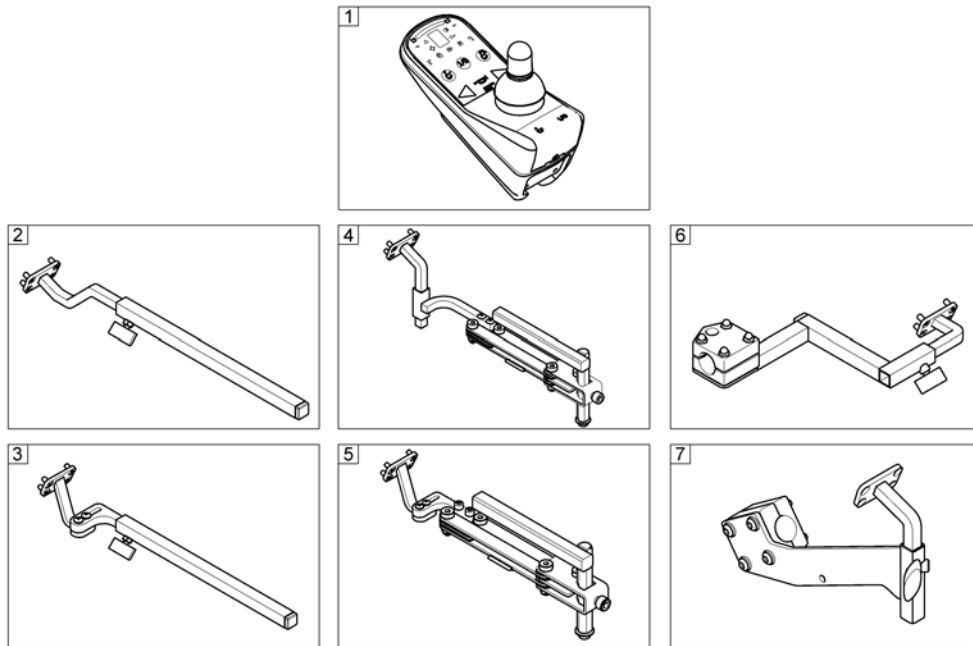
1560845.iso



Pos.	Part number	Description	Valid from → until	Qty
1	SP1527125	Remote Support for Bracket height adjustable and swing away		1
2	SP1496249	Remote bracket, height adjustable & swing away, LH		1
3	SP1496248	Remote bracket, height adjustable & swing away, RH		1

# G90A with brackets

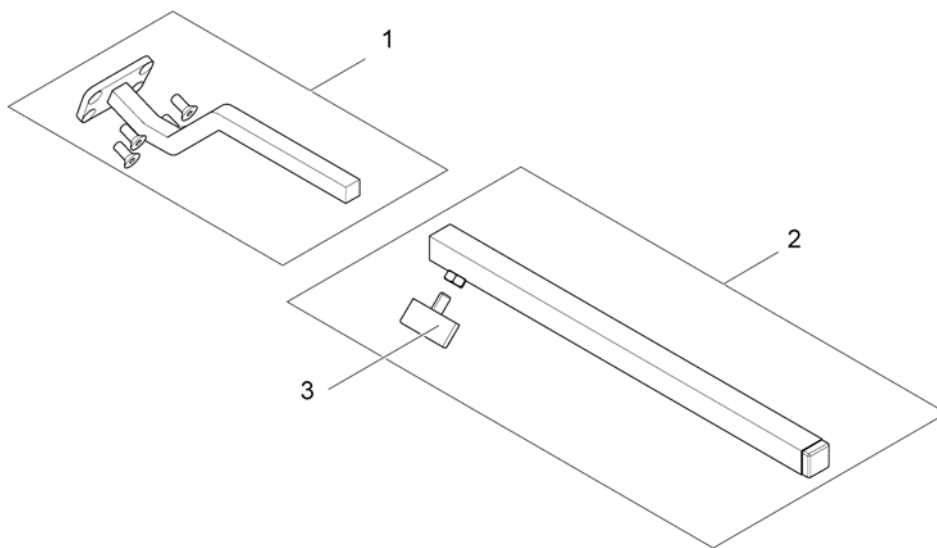
158436 Rev



Pos.	Part number	Description	Valid from → until	Qty
1	SP1504720	Remote G90A <i>[1614/1616]</i>		1
2	-	Remote Bracket Standard <i>[1614+1207/1208]</i>		1
3	-	Remote Bracket Standard Ultra Low Maxx Seat <i>[1614+1207/1208+2020]</i>		1
4	-	Remote Bracket Swing away & height adjust. <i>[1614+1707/1708]</i>		1
5	-	Remote Bracket Swing away & height adjust. Ultra Low Maxx Seat <i>[1614+1707/1708+2020]</i>		1
6	-	Remote Bracket Attendant <i>[1616+1207/1208]</i>		1
7	-	Remote Bracket Attendant Ultra Low Maxx Seat <i>[1616+1207/1208+2020]</i>		1

# Remote Bracket Standard

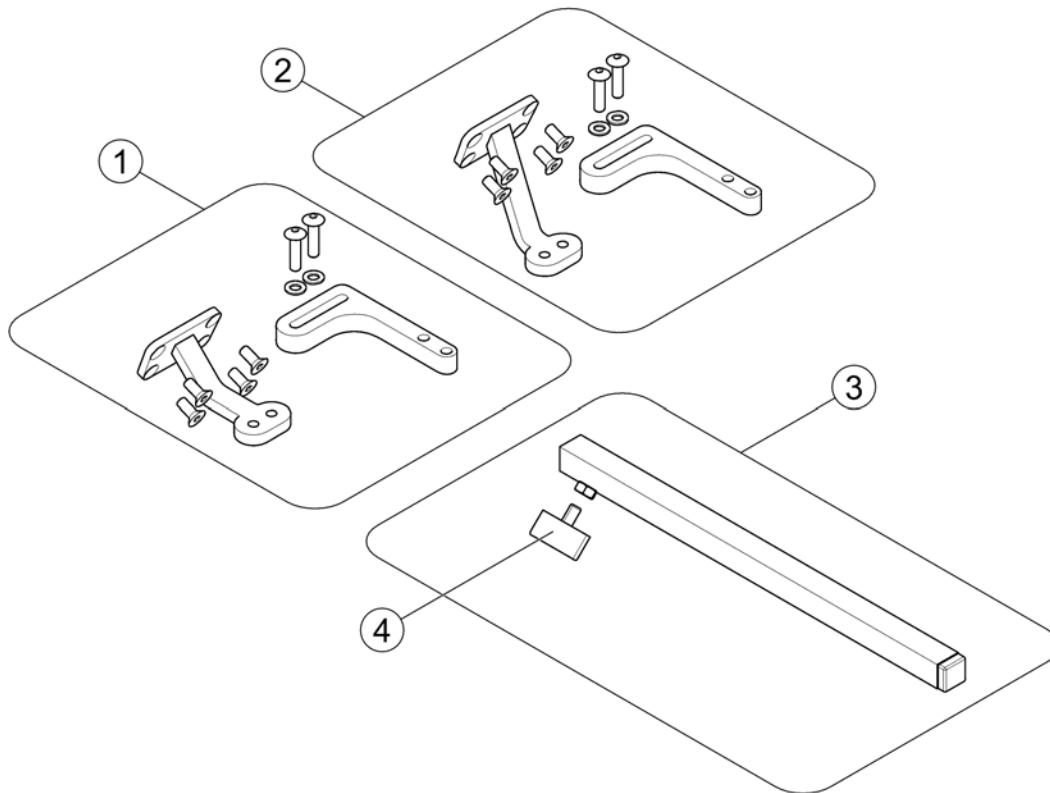
1562939.iso



Pos.	Part number	Description	Valid from → until	Qty
1	SP1504822	Remote Support Standard		1
2	SPS183040	Remote Bracket, Standard		1
3	L31001	Wing ScREW M6X10		1

# Remote Bracket Standard Ultra Low Maxx Seat

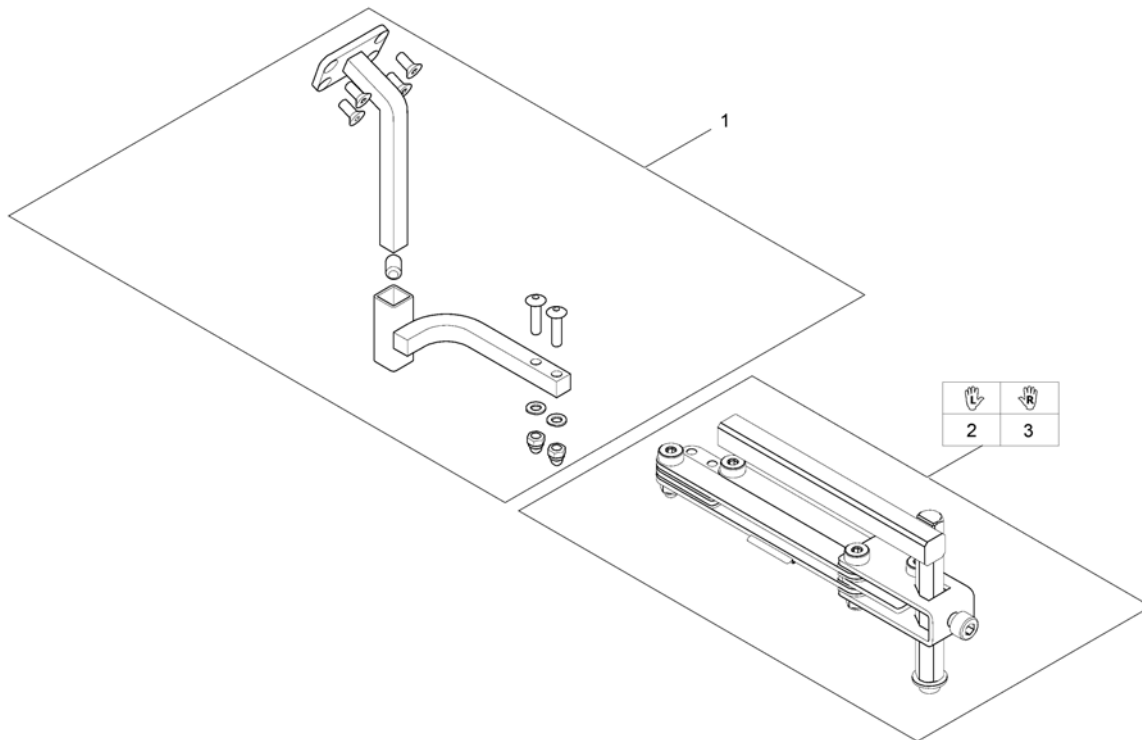
1588518.iso



Pos.	Part number	Description	Valid from → until	Qty
1	SP1587310	Remote bracket Std G90		1
2	SP1587694	Remote bracket MACES Std - G90		1
3	SPS183040	Remote Bracket, Standard		1
4	L31001	Wing ScREW M6X10		1

## Remote Bracket Swing away & height adjust.

1560310.iso

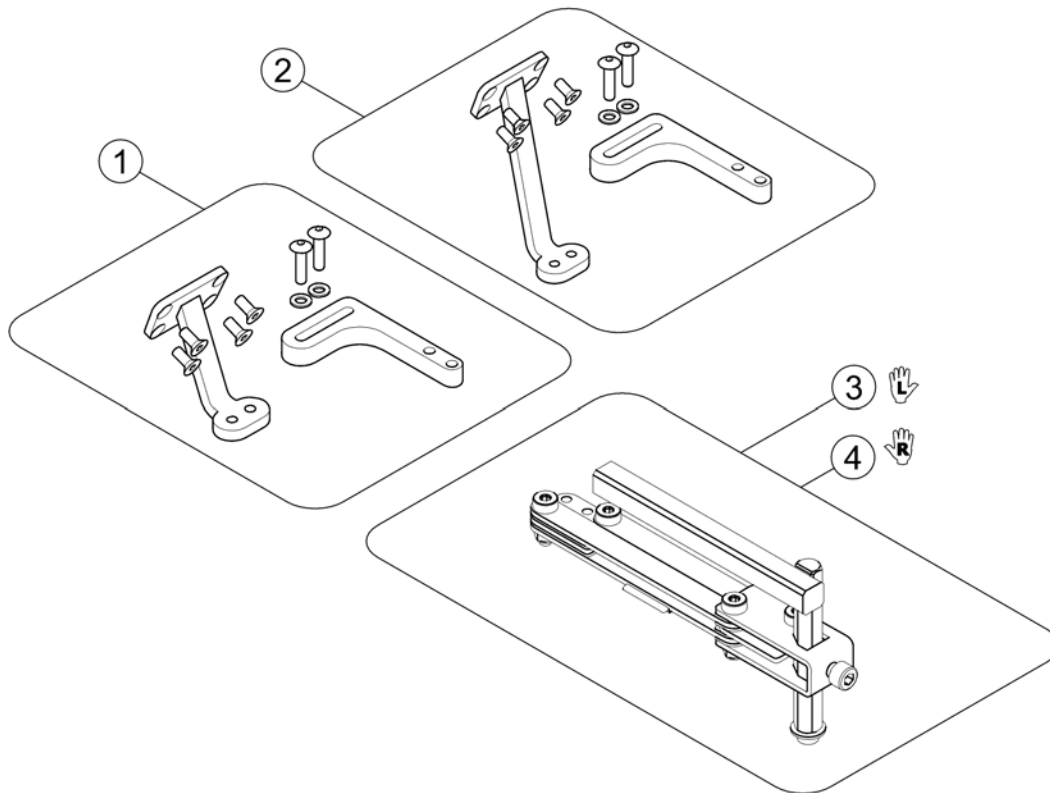


Pos.	Part number	Description	Valid from → until	Qty
1	SP1517352	Remote Support for Bracket height adjustable and swing away		1
2	SP1496249	Remote bracket, height adjustable & swing away, LH		1
3	SP1496248	Remote bracket, height adjustable & swing away, RH		1



# Remote Bracket Swing away & height adjust. Ultra Low Maxx Seat

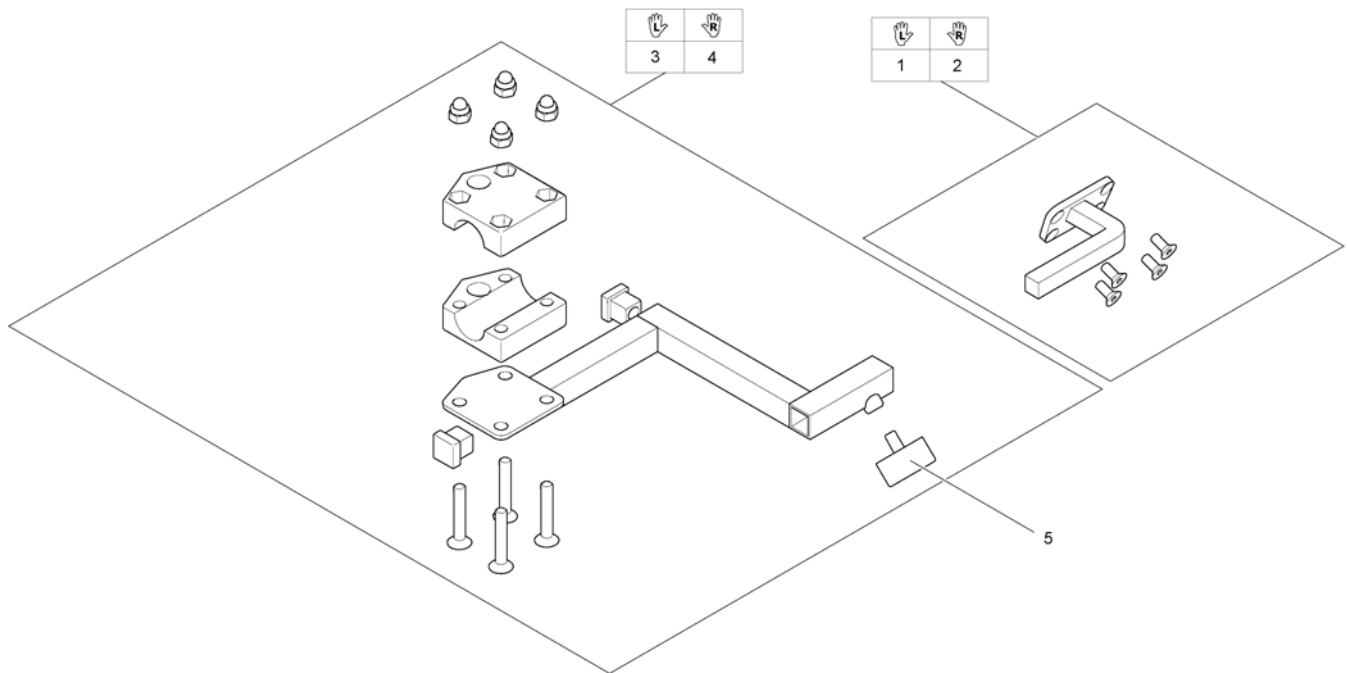
1588519.iso



Pos.	Part number	Description	Valid from → until	Qty
1	SP1587331	Remote bracket swingaway G90		1
2	SP1587696	Remote bracket MACES, swingaway - G90		1
3	SP1496249	Remote bracket, height adjustable & swing away, LH		1
4	SP1496248	Remote bracket, height adjustable & swing away, RH		1

# Remote Bracket Attendant

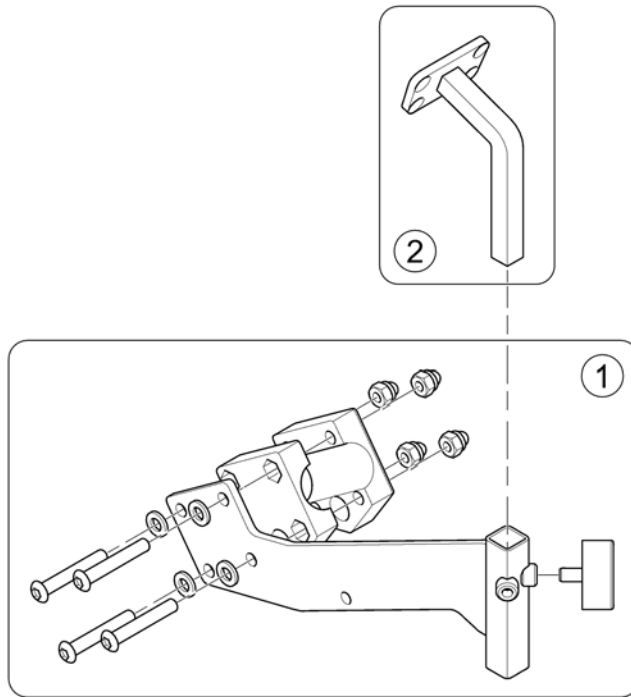
1560853.iso



Pos.	Part number	Description	Valid from → until	Qty
1	SP1509435	Remote Support attendant control G90A, LH		1
2	SP1509439	Remote Support attendant control G90A, RH		1
3	SP1422937	Bracket for attendant control LH		1
4	SP1422936	Bracket for attendant control RH		1
5	L31001	Wing ScREW M6X10		1

# Remote Bracket Attendant Ultra Low Maxx Seat

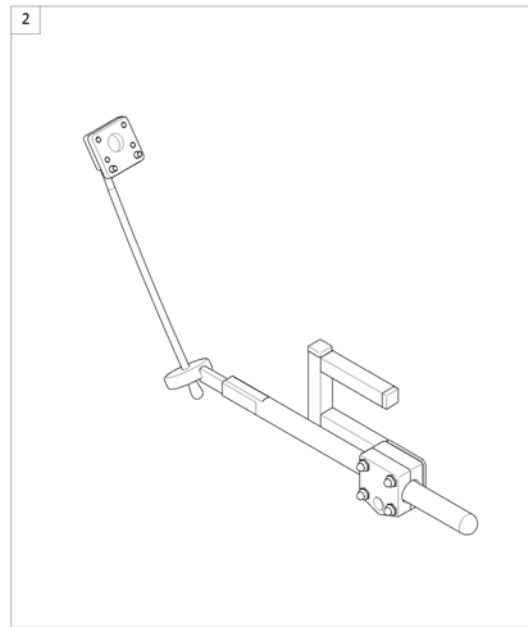
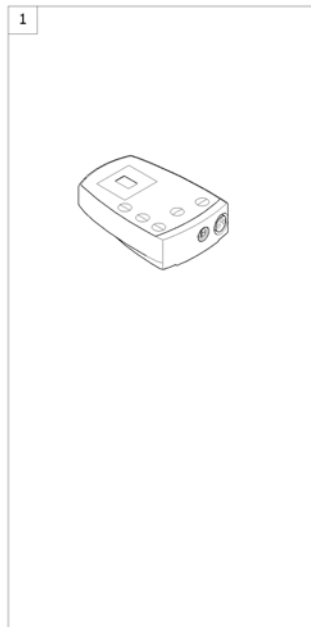
1588428 Rev



Pos.	Part number	Description	Valid from → until	Qty
1	SP1588427	Bracket Attendant Control		1
2	SP1587229	Adapter G90 (with screws)		1

## G91S with brackets

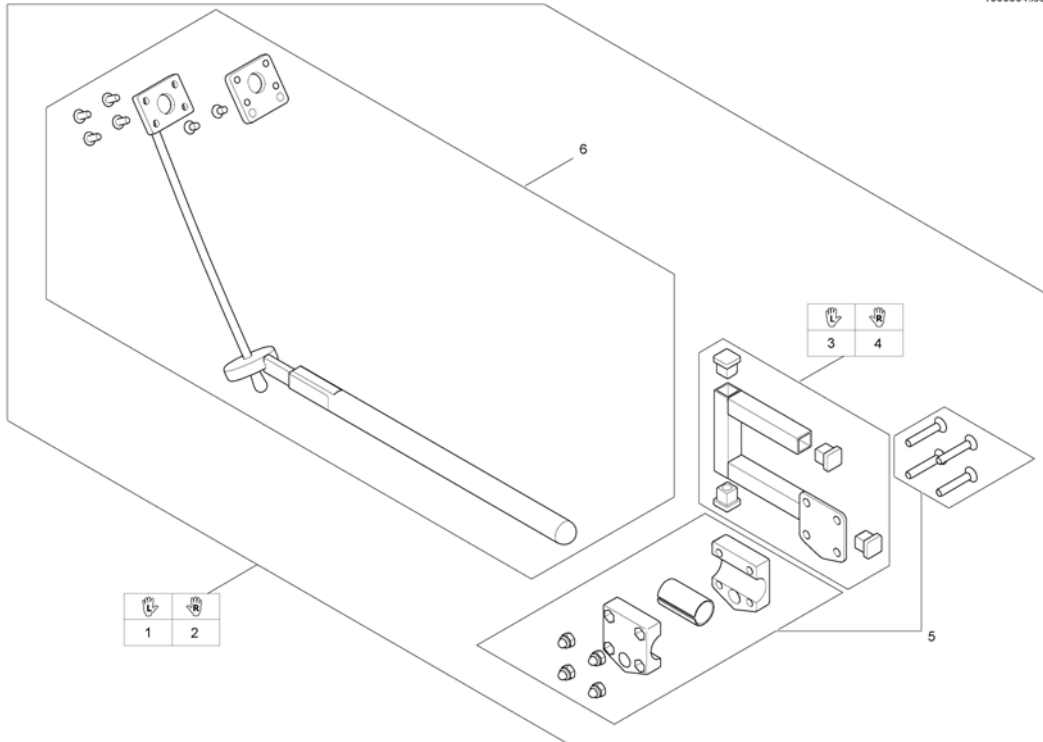
1560850 iso



Pos.	Part number	Description	Valid from → until	Qty
1	SP1505187	Remote Control G91S [1615]		1
2	-	Remote Bracket Standard [1615+1207/1208]		1

# Remote Bracket Standard

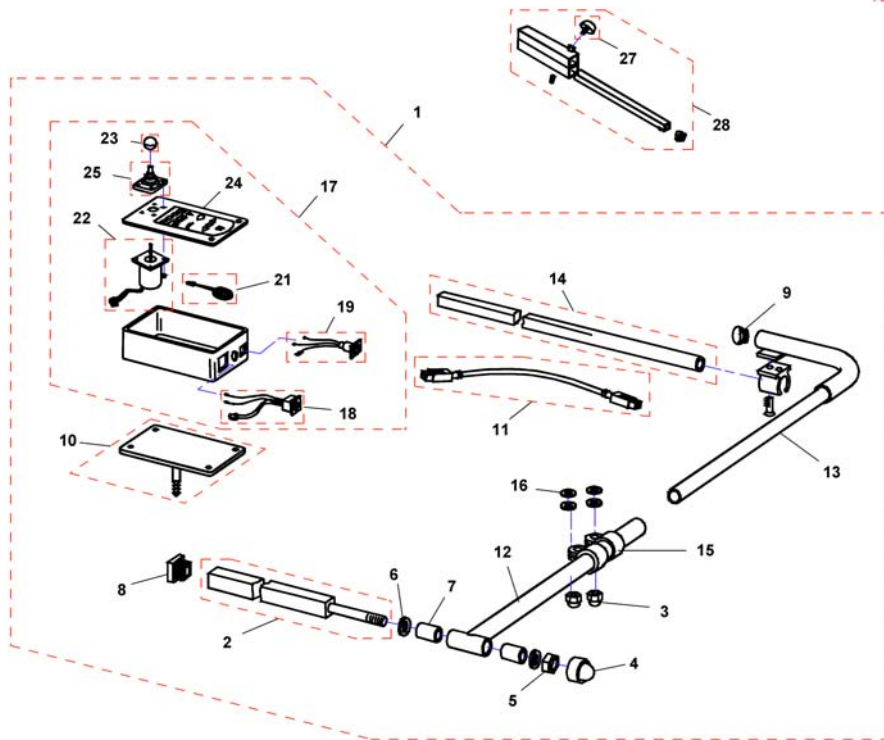
1560654.iso



Pos.	Part number	Description	Valid from → until	Qty
1	SP1509718	Remote Bracket G91/G91S LH, cpl		1
2	SP1509690	Remote Bracket G91/G91S RH, cpl.		1
3	SP1509716	Adapter G91 LH		1
4	SP1509711	Adapter G91 RH		1
5	SP1527503	Gripper clamp cpl.		1
6	SP1527504	Swan neck remote bracket with adapter plate		1

# Centre control REM 41

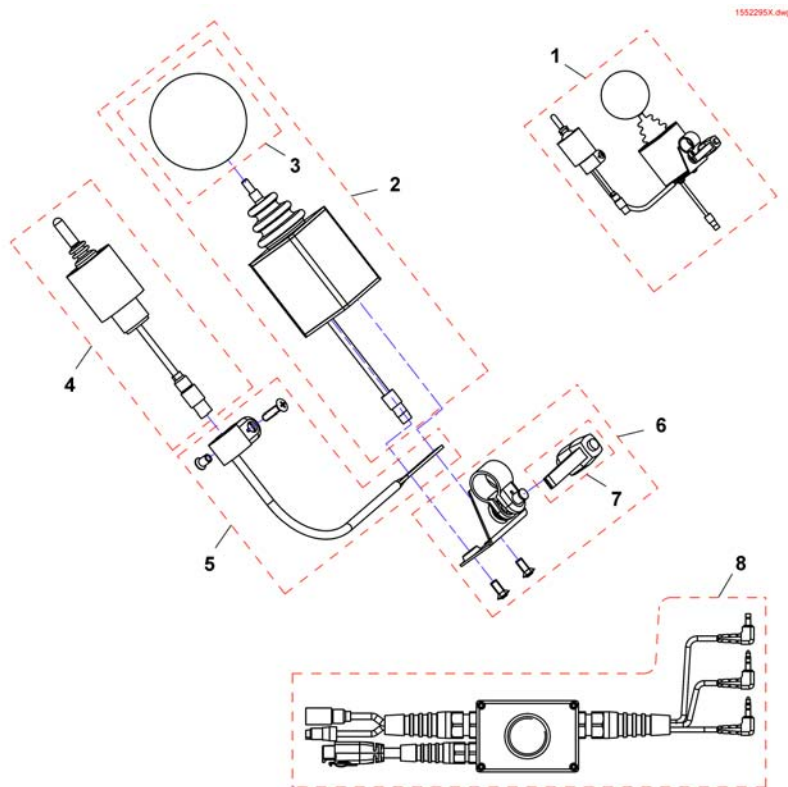
F383057.dwg



Pos.	Part number	Description	Valid from → until	Qty
-	Q99081	User Manual Table- & Middle Control REM41-S German		1
1	SP1530588	CENTRAL STEERING CPL.; SWING-AWAY RH, REM41-D		1
1	SP1530589	CENTRAL STEERING CPL.; SWING-AWAY LH, REM41-D		1
2	Z177024.00	SUPPORT TUBE; CHROME PLATED		1
3	F60208	Cap nut DIN1587-M08 zc		1
4	L01037	Sks Nut Cap M12		1
5	F20106	Hexagon nut DIN985-M12 zc		1
6	G00104	Washer DIN125-Ø13 zc		1
7	Z17032A	Bush Rd. 19 X 3.5 X 25		1
8	L01055	Plug 15x15mm		1
9	L01008	Tube End Plug SI 22		1
10	Z183216.P40	SUPPORT BRACKET; RAL 9005 BLACK		1
11	1559862	Bus cable ACS, 1700mm		1
12	Z183089.00	SWING ARM; CHROME PLATED		1
13	Z183086.00	SUPPORT ARM RH; CHROME PLATED		1
13	Z183092.00	SUPPORT ARM LH; CHROME PLATED		1
14	H281005A.00	MIRROR SUPPORT RAIL; CHROME PLATED		1
15	5006720	Klemmschelle F. Dm 22 mm		1
16	G00106	Washer DIN125-A-Ø8,4 zc		1
17	SP1527930	DX ACS Tray Remote DX-REM41		1
18	P41108	ACS-BUS CABLE SOCKET		1
19	P41106	CHARGER SOCKET		1
21	P30493	HORN		1
22	GSM55120	ACS-remote WITH 180MM CABLE		1
23	L36999	KNOB FOR remote 32 MM, HOLE 5.8 MM		1
24	-	No longer available.		0
25	Z183001A	Rubber gaiter for ACS remote		1
26	Z183289	CENTRAL STEERING SUPPORT TUBE CPL.		1
27	L31001	Wing Scew M6X10		1
28	Z183289	CENTRAL STEERING SUPPORT TUBE CPL.		1

<b>Pos.</b>	<b>Part number</b>	<b>Description</b>	<b>Valid from → until</b>	<b>Qty</b>
-		Small Chincontrol		1
-		Framework for chincontrol		1

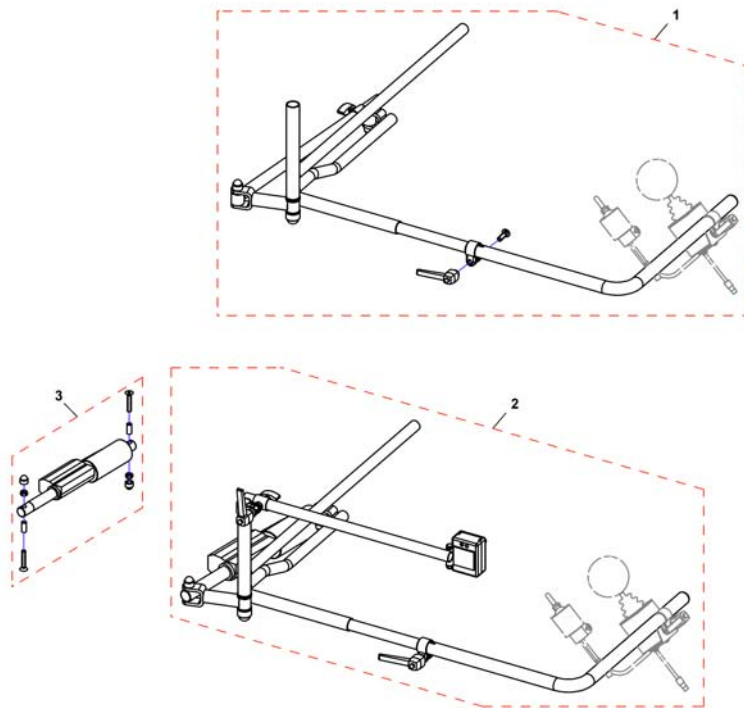
## Small Chincontrol



Pos.	Part number	Description	Valid from → until	Qty
1	1448705	Chin control REM24, cpl.		1
1	1421770	Chin control G80/G90, cpl.		1
1	SP1544255	Chin control G91, cpl.		1
2	Z183282	Joystick, kmpl.		1
3	Z183265	Foam control knob cpl.		1
4	1442943	Switchjoystick REM24, kmpl.		1
4	Z183283	Switchjoystick G80/G90, cpl.		1
4	SP1544250	Switchjoystick G91, kmpl.		1
5	SP1552294	Switchjoystick bracket		1
6	SP1552295	Joystick clamp		1
7	L32901	Clampinglever		1
8	SP1442944	Harness REM24		1
8	Z183275	Harness G80/G90		1
8	SP1541715	Harness G91		1



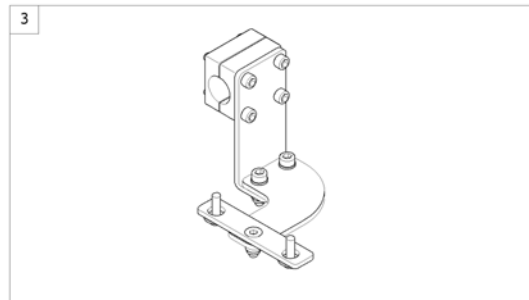
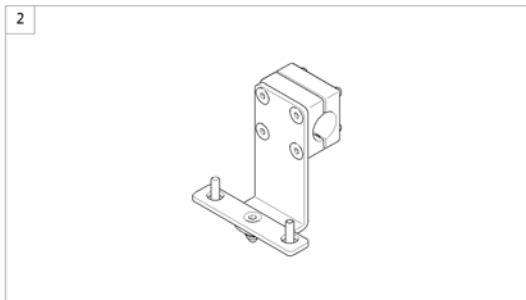
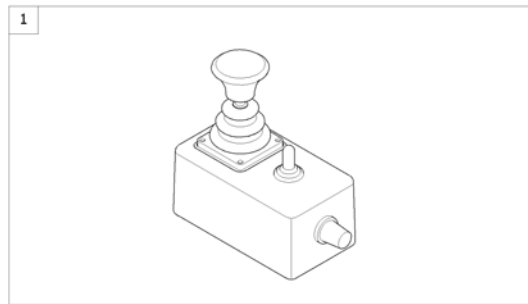
## Framework for chincontrol



Pos.	Part number	Description	Valid from → until	Qty
-	Z167994	CHIN CONTROL SUPPORT . CPL. <i>Not shown / Nicht abgebildet / Non illustré</i>		1
1	SP1422943	Framework for chin control, manual, horizontal swing away, LH, cpl.		1
1	SP1422942	Framework for chin control, manual, horizontal swing away, RH, cpl.		1
2	SP1422945	Framework for chincontrol, powered, horizontal swing away, LH, cpl. <i>incl. Actuator</i>		1
2	SP1422944	Framework for chin control, powered, horizontal swing away, RH, cpl. <i>incl. Actuator</i>		1
-	SP1552335	Hardware, chin control, powered, horizontal swing away, LH <i>Not shown / Nicht abgebildet / Non illustré</i>		1
-	SP1552336	Hardware, chin control, powered, horizontal swing away, RH <i>Not shown / Nicht abgebildet / Non illustré</i>		1
-	SP1422946	Framework for chincontrol, powered, vertikal swing away <i>Not shown / Nicht abgebildet / Non illustré</i>		1
3	SP1552337	Actuator for horizontal swing away chin control, cpl.		1
3	SP1552418	Gestell für Kinnbedienung, elektrisch, vertikal abschwenkbar <i>Not shown / Nicht abgebildet / Non illustré</i>		1

## Dual Control with brackets

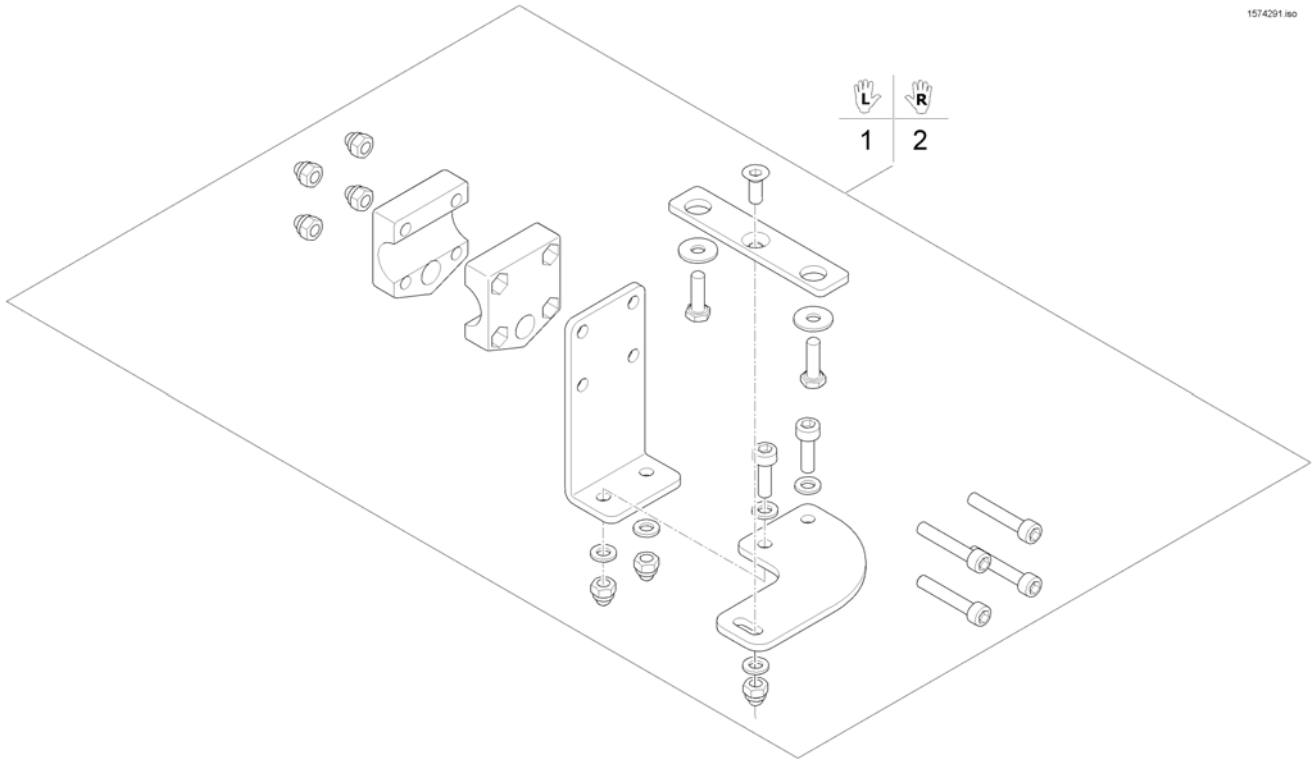
1574292 iso



Pos.	Part number	Description	Valid from → until	Qty
1	6001425	ACS dual control <i>[1291/1292]</i>		1
2	-	Remote Bracket Dual Control for Modulite Seat		1
3	-	Remote Bracket Dual Control for Max Seat		1

# Remote Bracket Dual Control for Modulite Seat

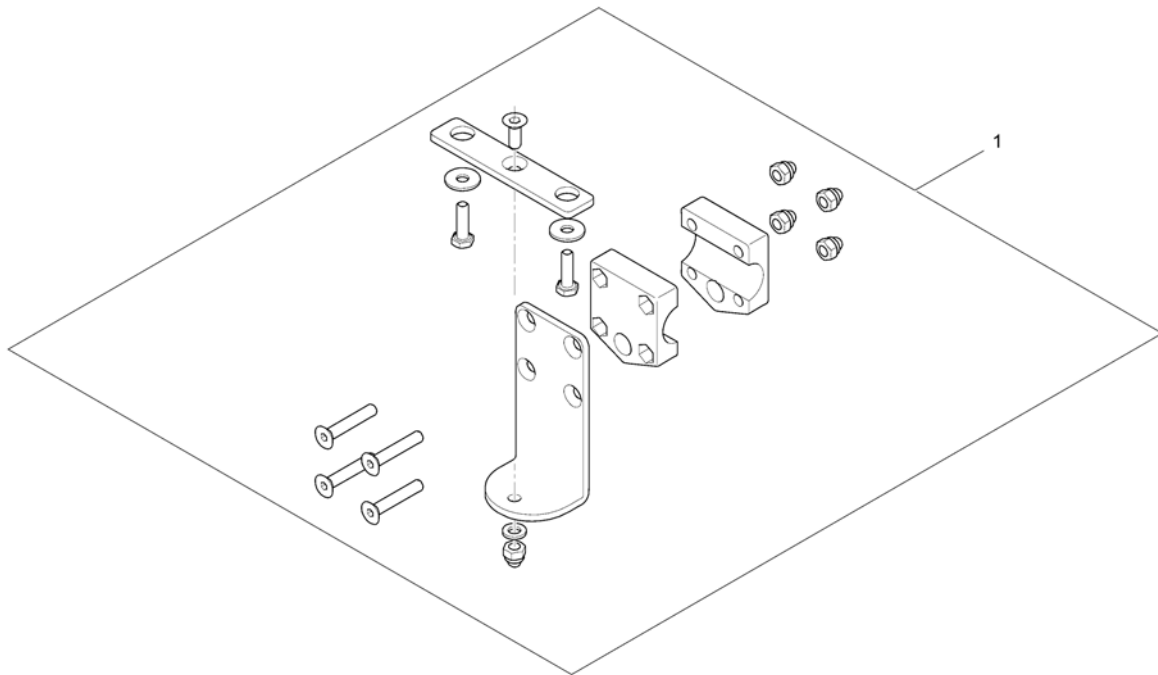
1574291 iso



Pos.	Part number	Description	Valid from → until	Qty
1	SP1571799	Remote Bracket Dual Control LH		1
2	SP1571800	Remote Bracket Dual Control RH		1

# Remote Bracket Dual Control for Max Seat

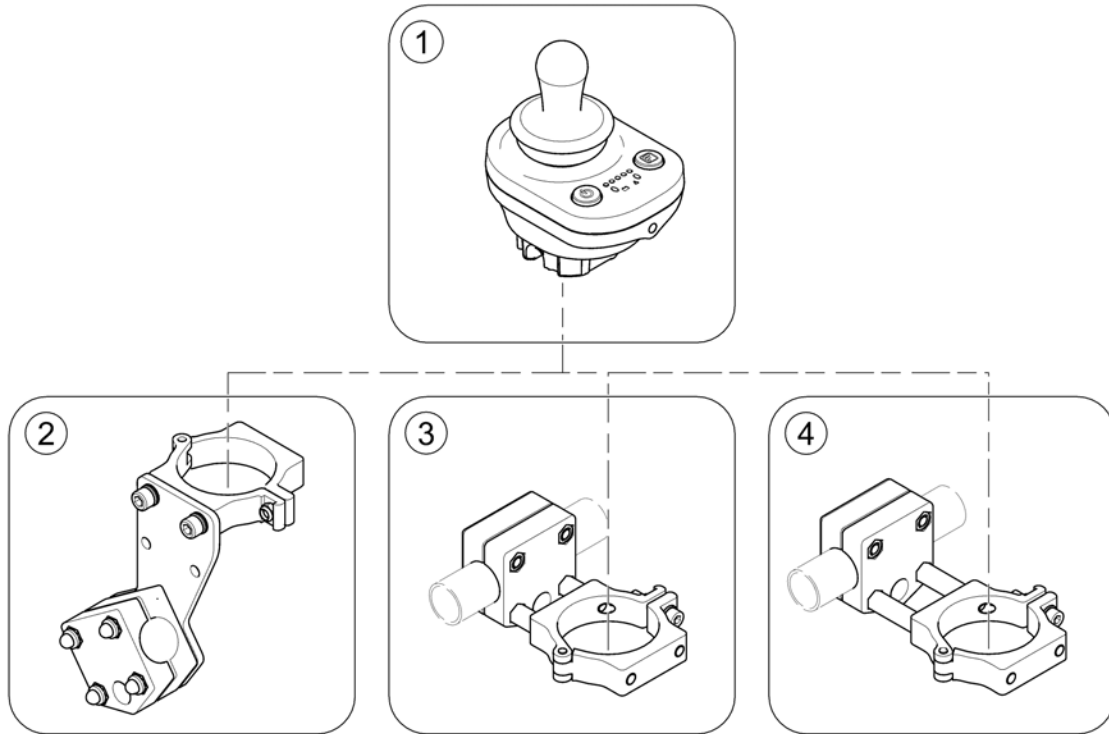
1560885.iso



Pos.	Part number	Description	Valid from → until	Qty
1	SP1422818	Remote Bracket Dual Control		1

# Compact Dual Control with brackets

1588511.000



Pos.	Part number	Description	Valid from → until	Qty
1	-	Compact Dual Control [1720]		1
2	-	Bracket, Compact Dual Control - Ultra Low Maxx Seat [1207/1208 + 1720 for 2020]	2015-06-03 →	1
3	-	Bracket, Compact Dual Control - short	2015-07-01 →	1
4	-	Bracket, Compact Dual Control - long	2015-07-01 →	1

# Compact Dual Control

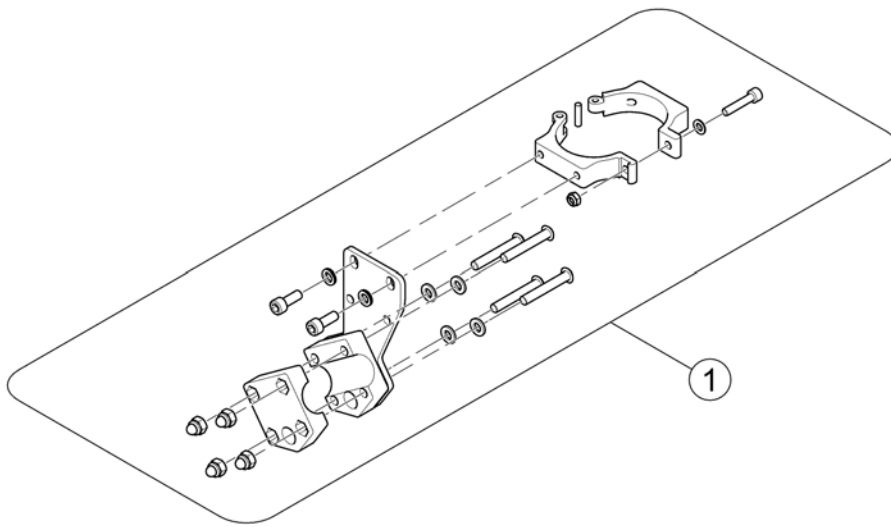
1586988.jpg



Pos.	Part number	Description	Valid from → until	Qty
1	SP1586988	Remote DX2-ACU		1

# Bracket, Compact Dual Control - Ultra Low Maxx Seat

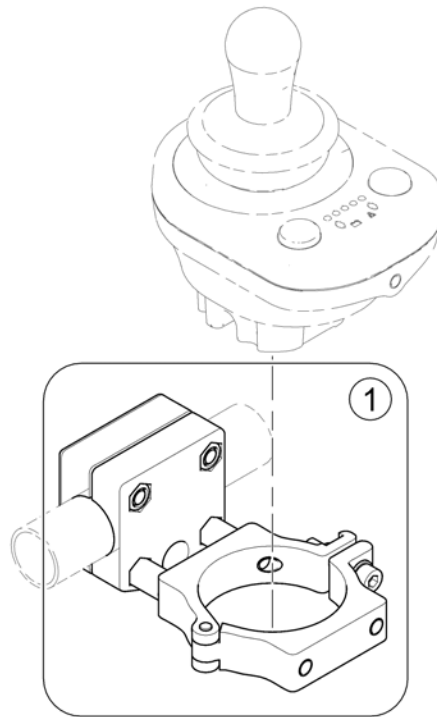
1586512.00



Pos.	Part number	Description	Valid from → until	Qty
1	SP1586795	Bracket, Compact Dual Control LH/RH		1

# Bracket, Compact Dual Control - short

1588857.jpg

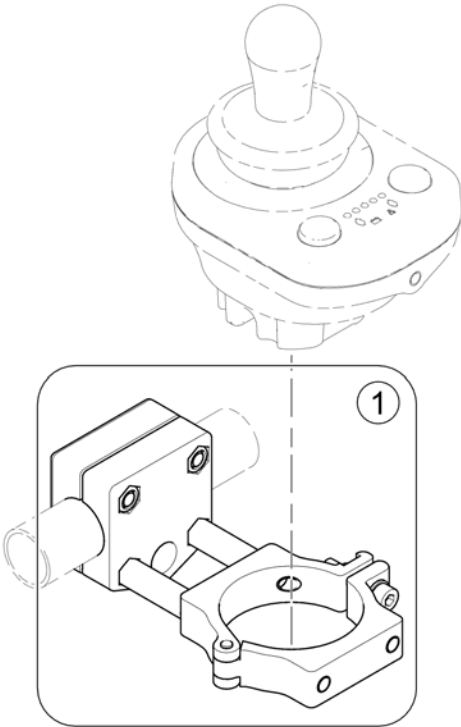


Pos.	Part number	Description	Valid from → until	Qty
1	SP1587904	Remote Attachment - short		1



# Bracket, Compact Dual Control - long

158856 iso



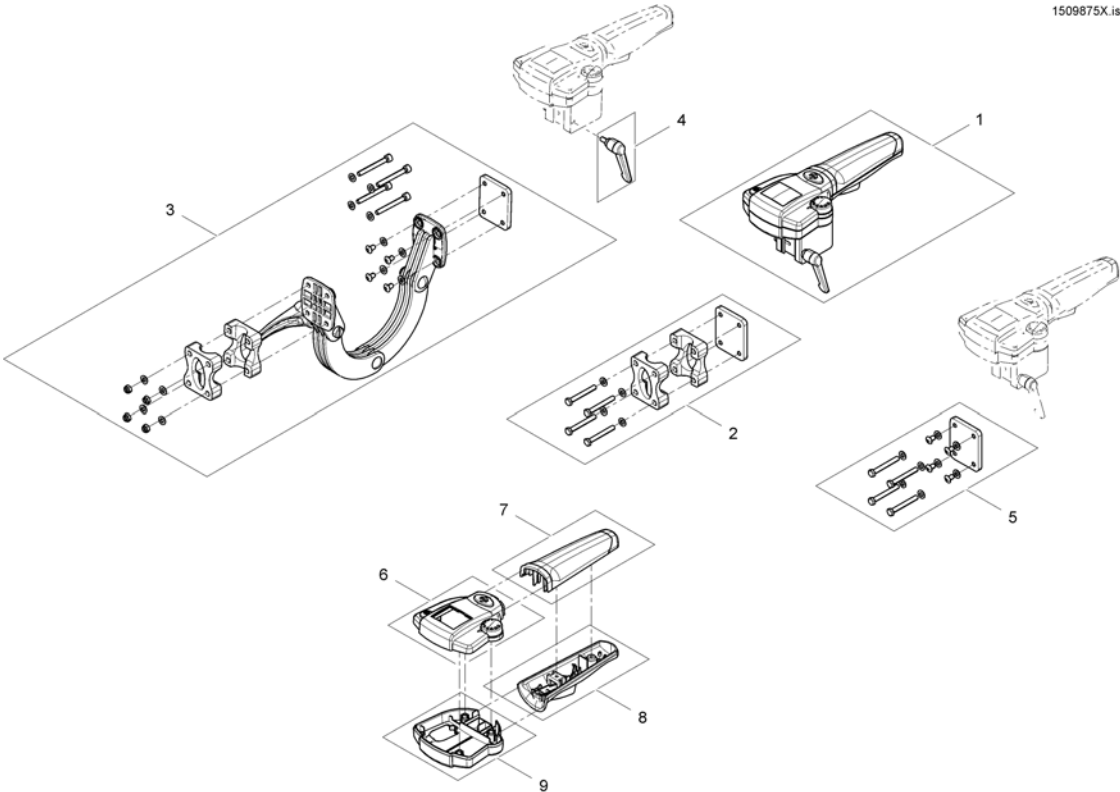
Pos.	Part number	Description	Valid from → until	Qty
1	SP1587119	Remote Attachment - long		1

## Intuitive Dual Control (IDC)

Pos.	Part number	Description	Valid from → until	Qty
-		Intuitive Dual Control with brackets [1645]		1
-		Intuitive Dual Control with bracket (Ultra Low Maxx Seat) [1645+2020]		1

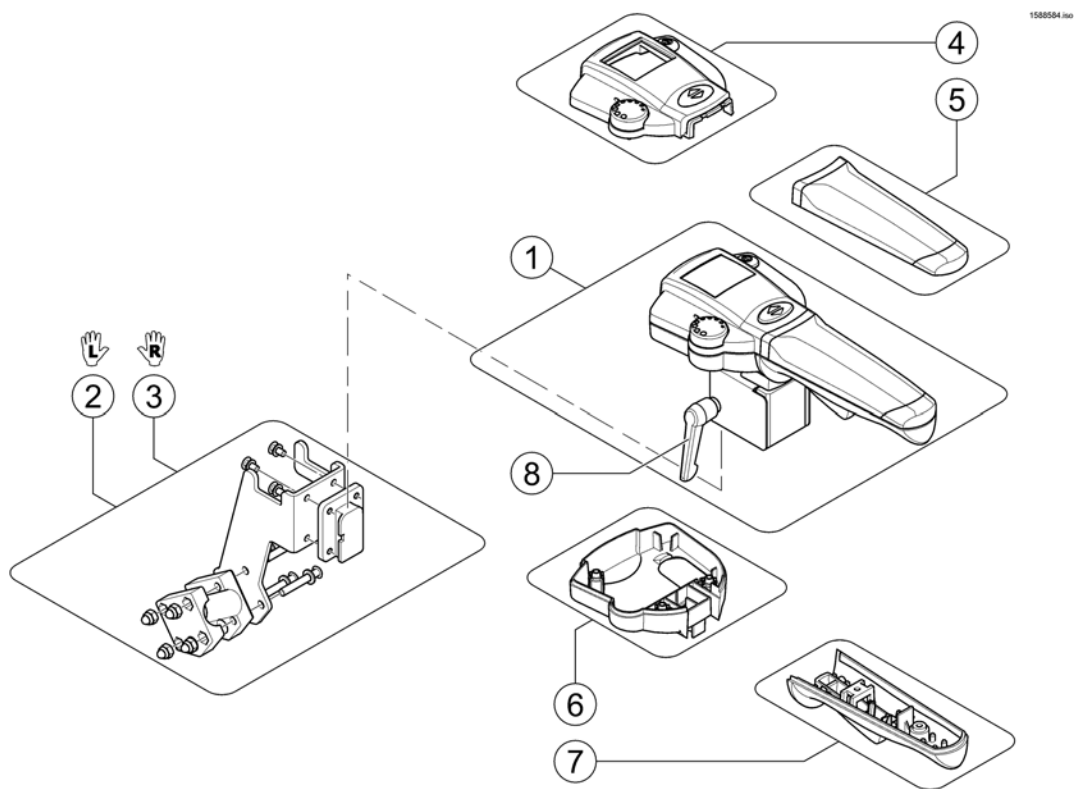
# Intuitive Dual Control with brackets

1509875X.iso



Pos.	Part number	Description	Valid from → until	Qty
1	SP1509875	Intuitiv Dual Control (IDC) <i>For chairs build before 01/02/10 please also order SP1537148</i>		1
2	SP1522310	Fixed bracket		1
3	SP1521488	Adjustable bracket		1
4	SP1510135	Clamp lever M5x10		1
5	SP1537148	Supportplate IDC for chairs before 01.02.10		1
6	SP1579573	Upper Housing		1
7	SP1511060	Handhold upper part		1
8	SP1511099	Handhold lower part		1
9	SP1510470	Housing lower part		1

# Intuitive Dual Control with bracket (Ultra Low Maxx Seat)



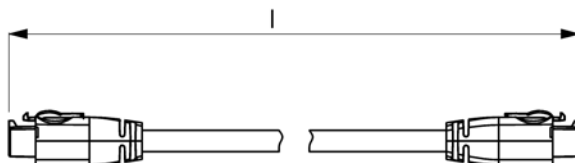
Pos.	Part number	Description	Valid from → until	Qty
1	SP1509875	Intuitiv Dual Control (IDC)		1
2	SP1586137	Bracket IDC, LH, cpl.		1
3	SP1586623	Bracket IDC, RH, cpl.		1
4	SP1579573	Upper Housing		1
5	SP1511060	Handhold upper part		1
6	SP1510470	Housing lower part		1
7	SP1511099	Handhold lower part		1
8	SP1510135	Clamp lever M5x10		1

**ACS Cables & Accessories**

Pos.	Part number	Description	Valid from → until	Qty
-		Bus-Cables ACS		0
-		Light Cable ACS		0
-		T-Adapter - Modulite & Max Seat		0
-		T-Adapter - Ultra Low Maxx Seat		0
-		Tilt Sensors - Ultra Low Maxx Seat		0
-		Programming Kits		0
-		Magnetkey for Remotes		0

## Bus-Cables ACS

ACSBUSKABEL.iso

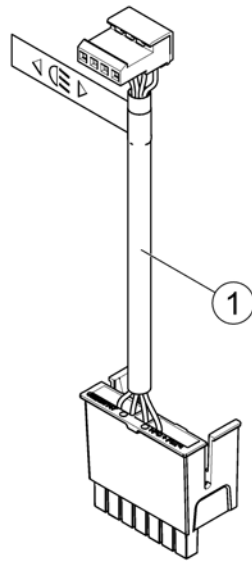


Position	length l [mm]
1	300
2	500
3	700
4	1100
5	1700
6	2000
7	2500
8	2700
9	1060

Pos.	Part number	Description	Valid from → until	Qty
1	GSM63003	Bus cable ACS, 300mm		1
2	SPGSM63005	Bus cable ACS, 500mm <i>Replace GSM63004</i>		1
3	GSM63007	Bus cable ACS 700mm		1
4	GSM63011	Bus cable ACS, 1100mm		1
5	1559862	Bus cable ACS, 1700mm <i>Replace GSM63016</i>		1
6	GSM63020	Bus cable ACS, 2000mm <i>Replace 1419386</i>		1
7	1440424	Bus cable ACS, 2500mm		1
8	SP1559873	Bus cable ACS, 2700mm <i>Replace GSM63026</i>		1
9	SP1550402	Extension cable ACS, 1060mm		1

# Light Cable ACS

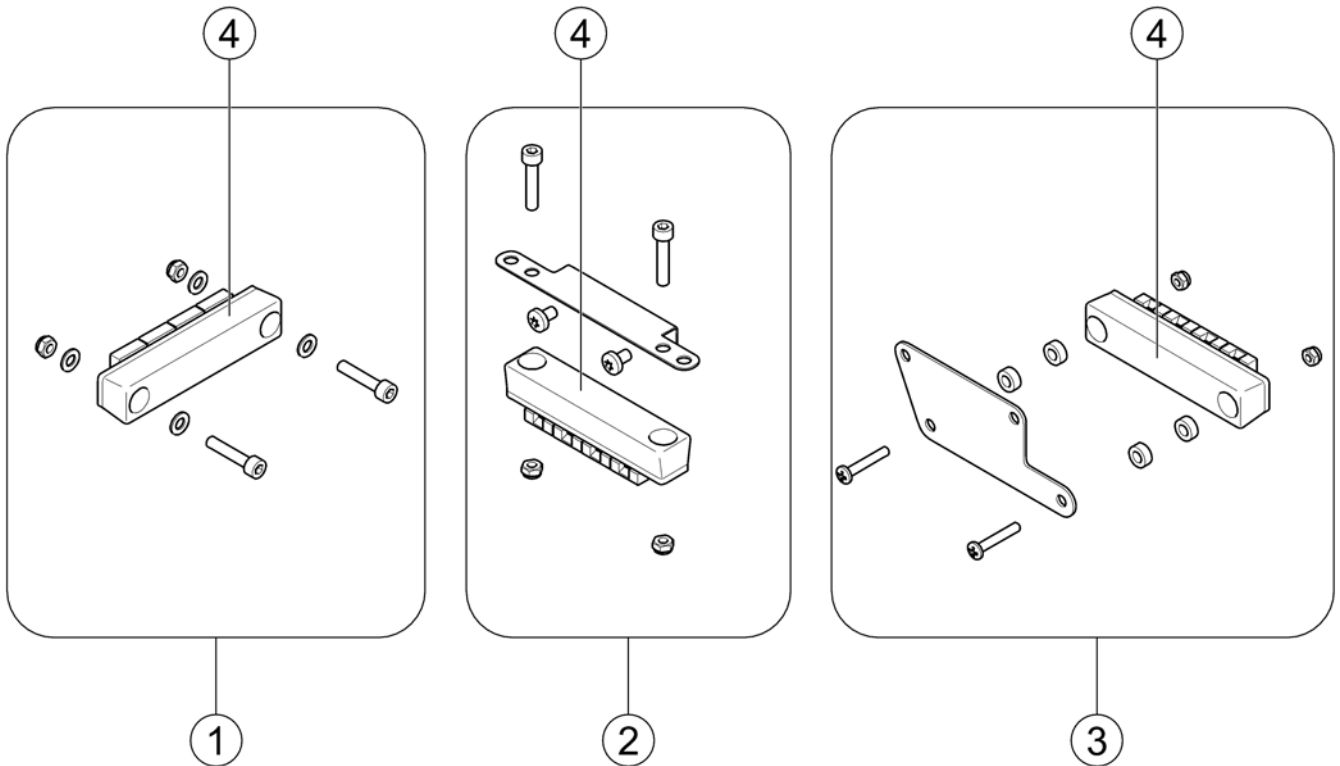
1583704 Rev



Pos.	Part number	Description	Valid from → until	Qty
1	SP1524237	Light cable ACS2		1

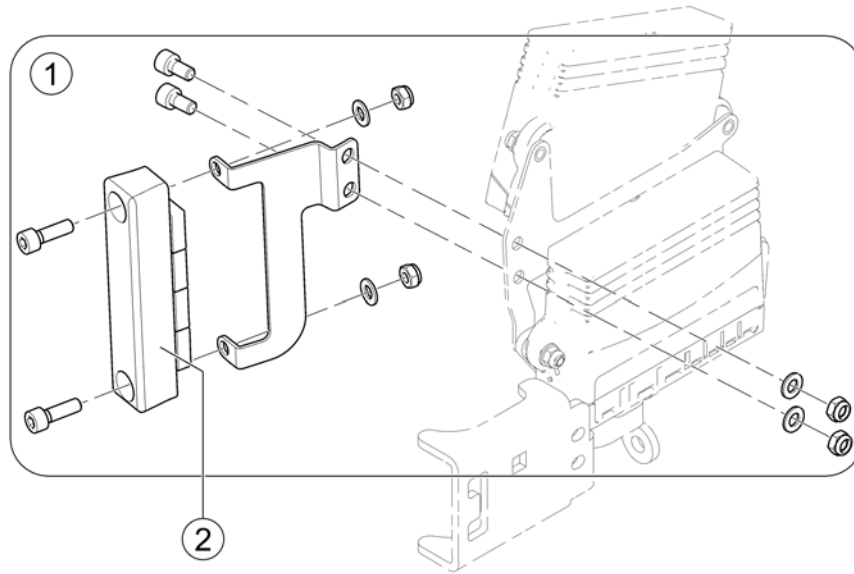
# T-Adapter - Modulite & Max Seat

1583359.iso



Pos.	Part number	Description	Valid from → until	Qty
1	SP1571826	T-Adapter - Modulite Seat		1
2	SP1569958	T-Adapter - Modulite Seat with MBL-Modul		1
3	SP1580691	T-Adapter - Max Seat		1
4	P10072	ACS-Bus T-Adapter (Splitter)		1

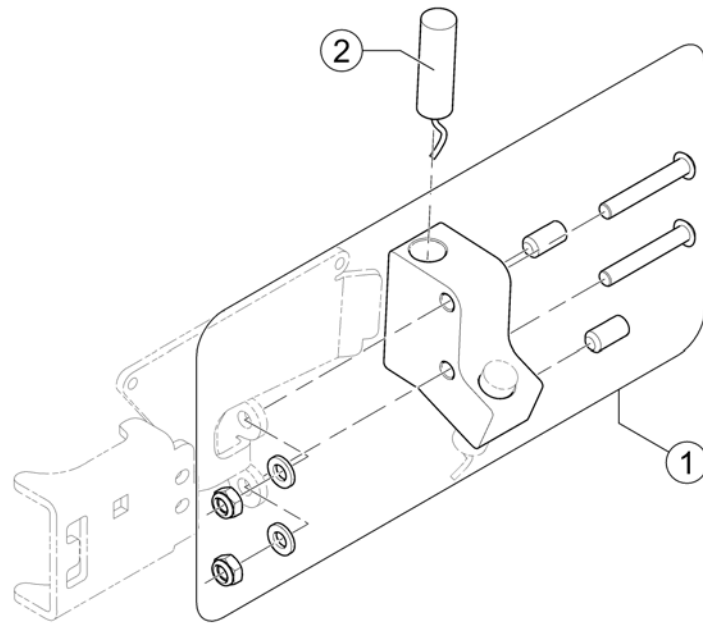




Pos.	Part number	Description	Valid from → until	Qty
1	SP1586798	T-Adapter with mounting hardware		1
2	P10072	ACS-Bus T-Adapter (Splitter)		1

# Tilt Sensors - Ultra Low Maxx Seat

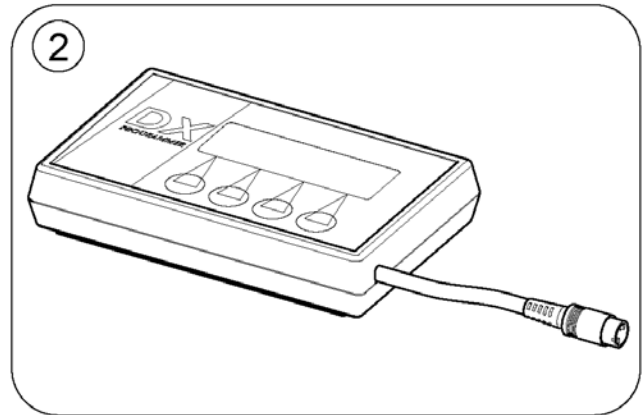
158650 Rev



Pos.	Part number	Description	Valid from → until	Qty
1	SP1586648	Switch Bracket		1
2	SPTRE0753	Tilt Switch		2
-	SPTRE0784	Tilt Switch Box <i>Not shown / Non illustré / Nicht abgebildet</i>		1

# Programming Kits

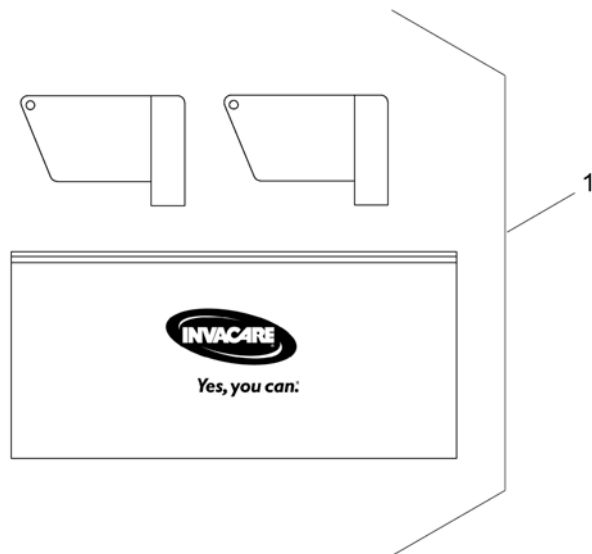
1584805 iso



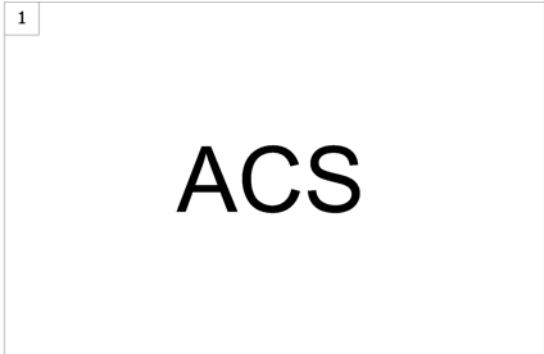
Pos.	Part number	Description	Valid from → until	Qty
1	1449280	USW wizard dongle kit, EDL-USW, cpl.		1
2	6001450	Hand Programmer, Instrucions In French, German, Spanish		1
	SP1441551	Programming Adapter Shark DK-ADAPT (necessary to program Shark)		1

# Magnetkey for Remotes

1564186.iso



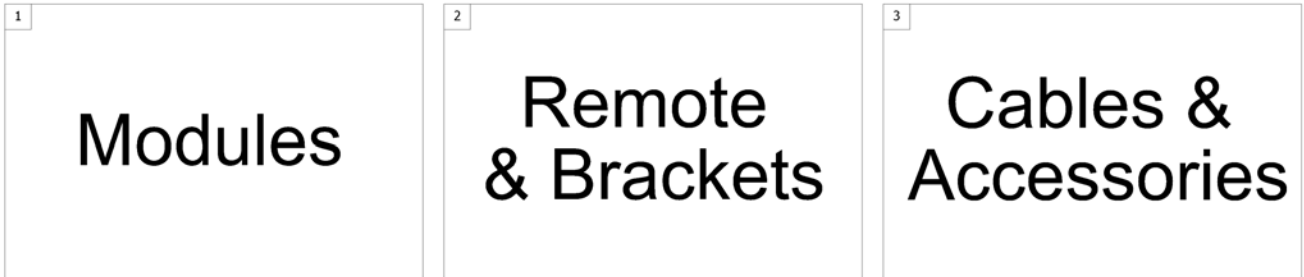
Pos.	Part number	Description	Valid from → until	Qty
1	SP1419695	Magnet key with bag		1



Pos.	Part number	Description	Valid from → until	Qty
1	-	ACS Electronic		1
2	-	Shark Electronic		1

# ACS Electronic

1500784.indd



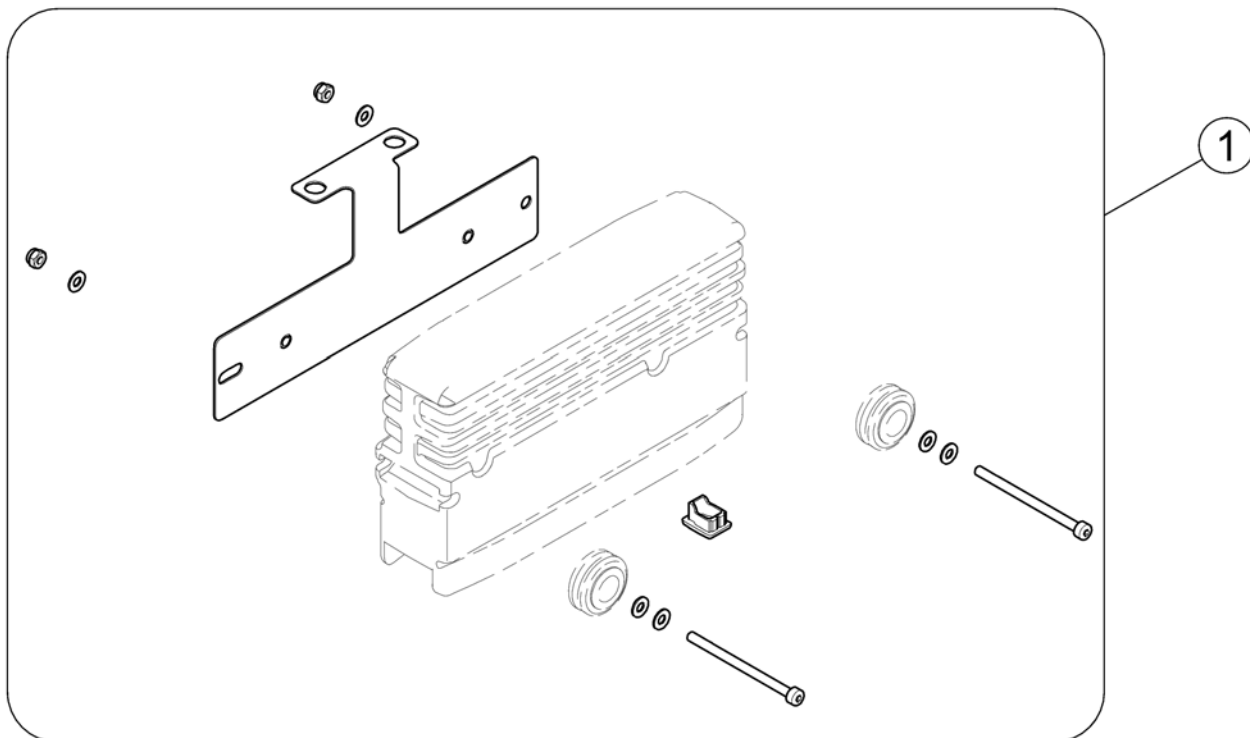
Pos.	Part number	Description	Valid from → until	Qty
1	-	ACS Electronic Modules		1
2	-	ACS Remote & Brackets		1
3	-	ACS Cables & Accessories		1

**ACS Electronic Modules**

Pos.	Part number	Description	Valid from → until	Qty
-		Power Modul - ACS		1
-		Bracket for Power Modul Narrow Base		1
-		ACT for ACS 2		1
-		Bracket ACT - Modulite Seat		1
-		Bracket ACT - Ultra Low Maxx Seat		1
-		Bracket ACT at Chassis - Narrow Base		1
-		Light Board		1
-		G-Trac-sensor		1

# Bracket for Power Modul Narrow Base

1583338.iso

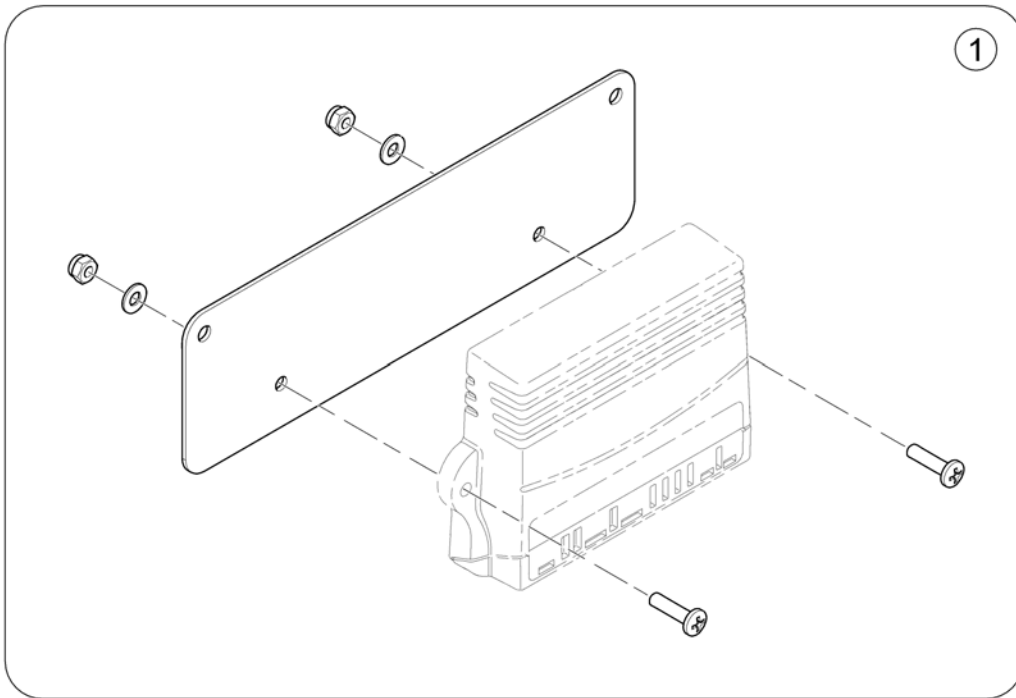


Pos.	Part number	Description	Valid from → until	Qty
1	SP1583339	Bracket Power Modul		1



# Bracket ACT at Chassis - Narrow Base

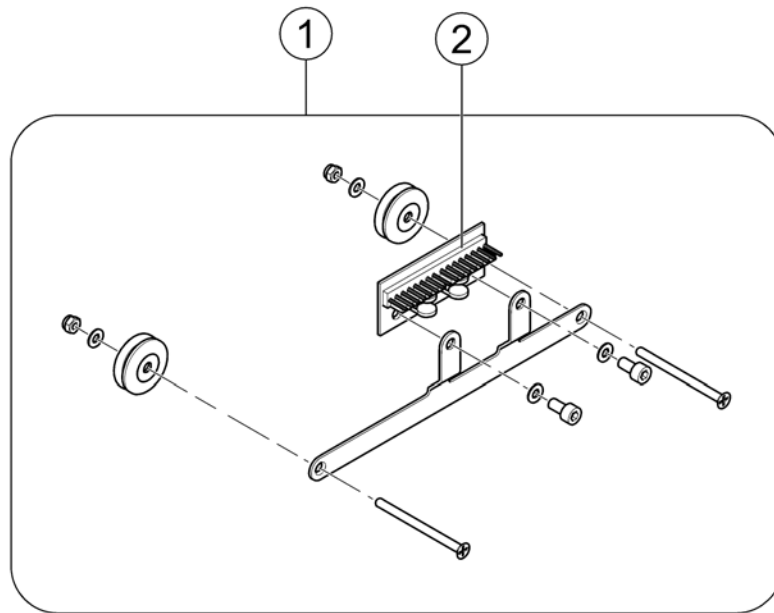
1583341.lin



Pos.	Part number	Description	Valid from → until	Qty
1	SP1583342	Bracket for ACT on Chassis (Narrow Base)		1

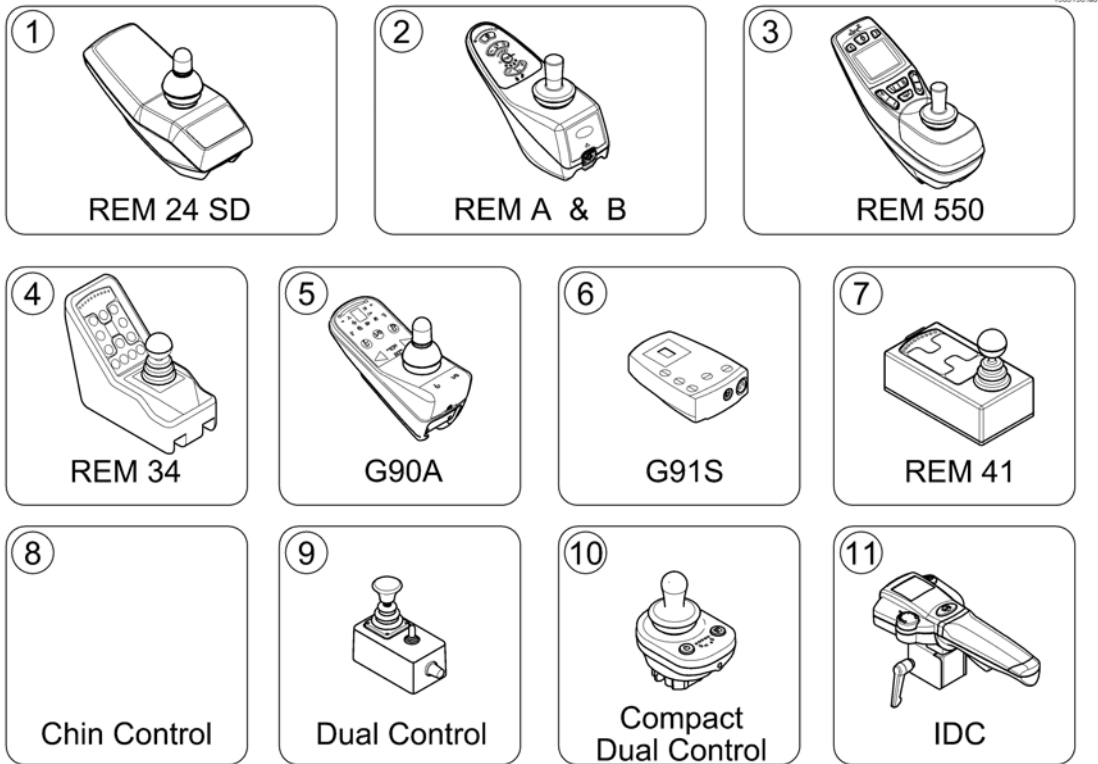
# Light Board

1583344 iso



Pos.	Part number	Description	Valid from → until	Qty
1	SP1574115	Light board with bracket		1
2	1415004	Central Light Distributor Circuit Board ACS/Shark		1

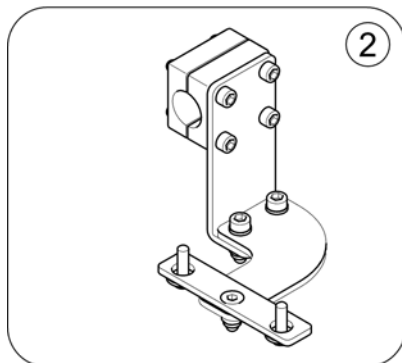
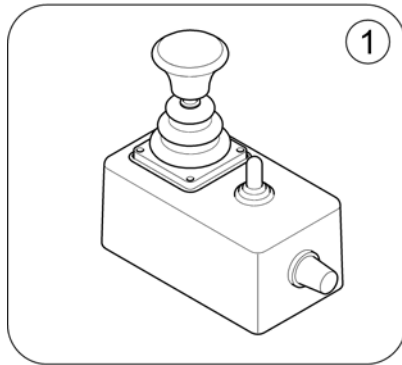
## ACS Remote & Brackets



Pos.	Part number	Description	Valid from → until	Qty
1	-	REM 24 SD with brackets <i>[1601/1602]</i>		1
2	-	REM A & B with brackets <i>[1638/1639/1643/1644]</i>		1
3	-	REM 550 with brackets <i>[1617/1618]</i>		1
4	-	REM 34 with brackets <i>[1611]</i>		1
5	-	G90A with brackets <i>[1614/1616]</i>		1
6	-	G91S with brackets <i>[1615]</i>		1
7	-	Centre control REM 41 <i>[1607/1608]</i>		1
8	-	Small Chin Control with brackets <i>[1609]</i>		1
9	-	Dual Control with brackets - Modulite Seat <i>[1291/1292]</i>		1
10	-	Compact Dual Control with brackets <i>[1720]</i>		1
11	-	Intuitive Dual Control (IDC) <i>[1645]</i>		1

## Dual Control with brackets - Modulite Seat

1583353.no



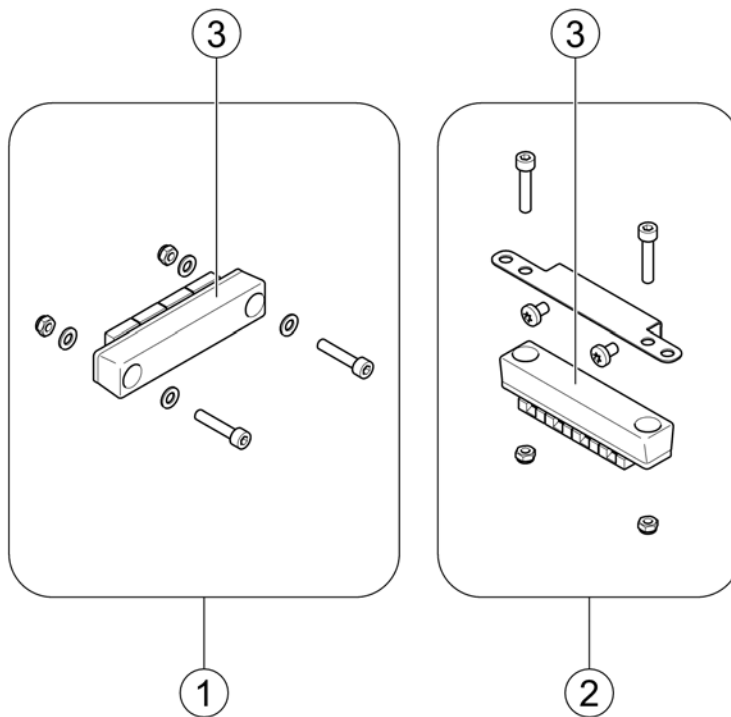
Pos.	Part number	Description	Valid from → until	Qty
1	6001425	ACS dual control [1291/1292]		1
2	-	Remote Bracket Dual Control for Modulite Seat		1

**ACS Cables & Accessories**

Pos.	Part number	Description	Valid from → until	Qty
-		Bus-Cables ACS		0
-		Light Cable ACS		0
-		T-Adapter - Modulite Seat		0
-		T-Adapter - Ultra Low Maxx Seat		0
-		Tilt Sensors - Ultra Low Maxx Seat		0
-		Programming Kits		0
-		Magnetkey for Remotes		0

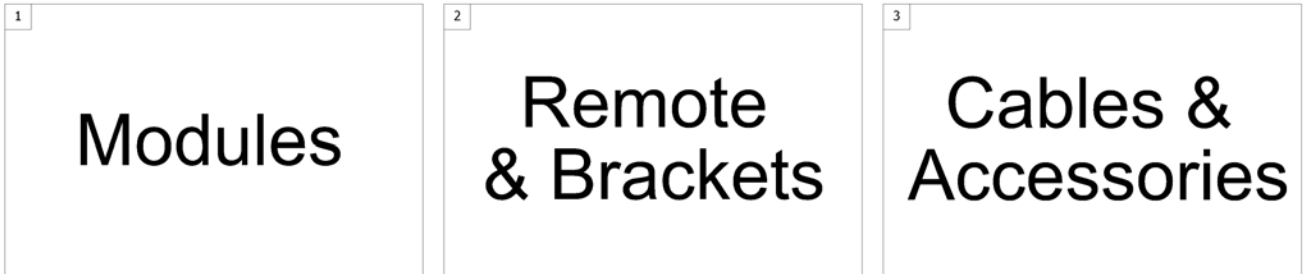
# T-Adapter - Modulite Seat

1583360 iso



Pos.	Part number	Description	Valid from → until	Qty
1	SP1571826	T-Adapter - Modulite Seat		1
2	SP1569958	T-Adapter - Modulite Seat with MBL-Modul		1
3	P10072	ACS-Bus T-Adapter (Splitter)		1

1500784.indd



Pos.	Part number	Description	Valid from → until	Qty
1	-	Shark Electronic Modules		1
2	-	Shark Remote & Brackets		1
3	-	Shark Cables & Accessories		1

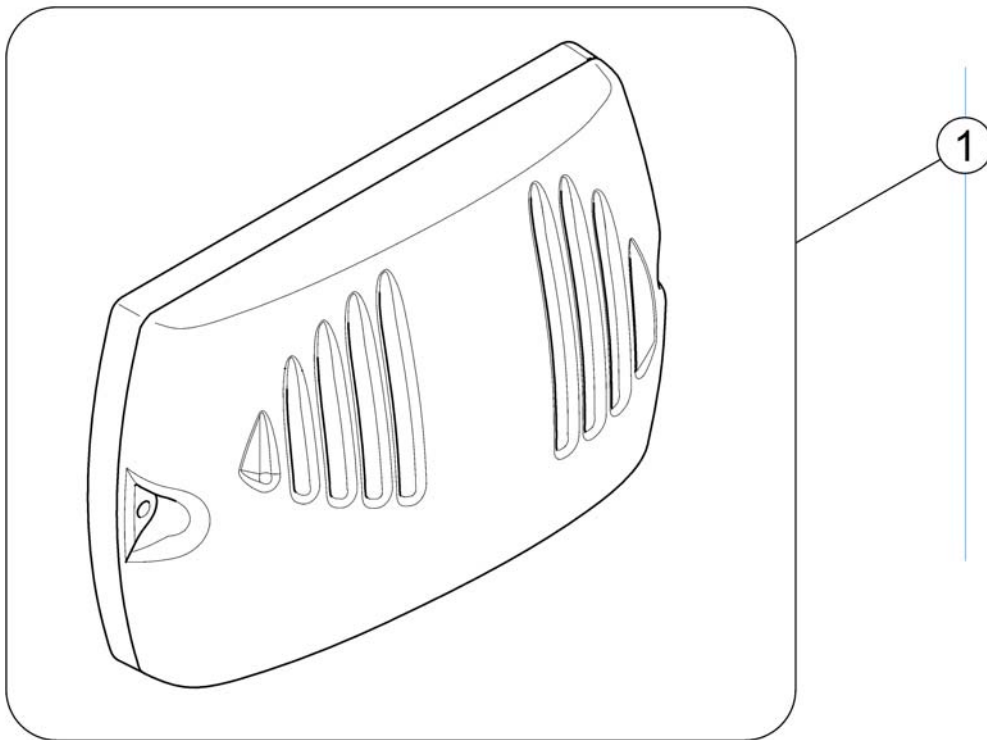
## Shark Electronic Modules

Pos.	Part number	Description	Valid from → until	Qty
-		Power Modul		1
-		Bracket for Power Modul		1
-		Light Board		1



# Power Modul

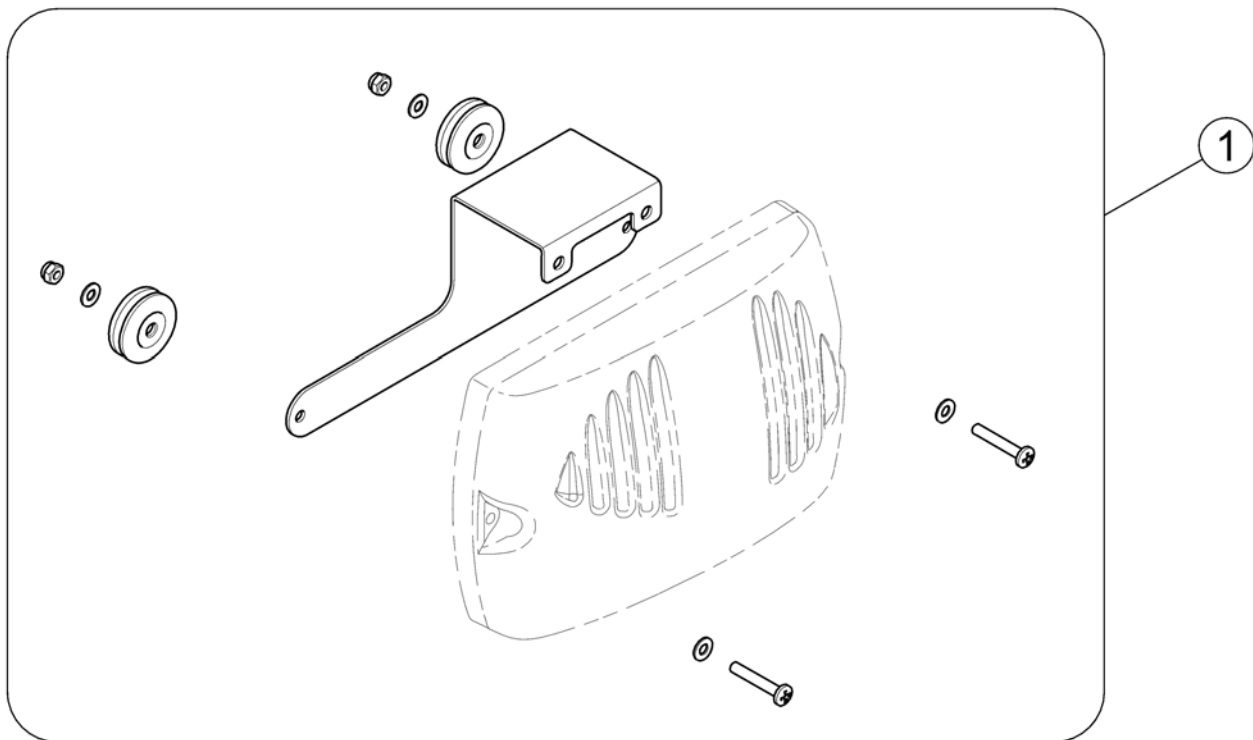
1583356.iso



Pos.	Part number	Description	Valid from → until	Qty
1	1136898	Powermodule, Shark, 90A, 2 actuators, DK-PMC28		1

## Bracket for Power Modul

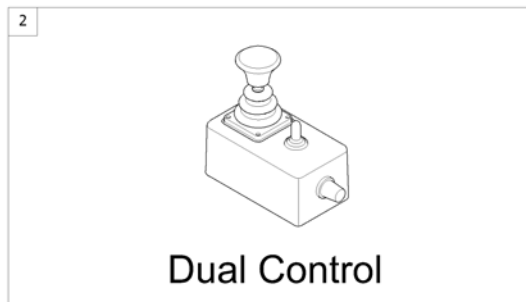
1583357.iso



Pos.	Part number	Description	Valid from → until	Qty
1	SP1583358	Bracket for Shark Power Modul		1

## Shark Remote & Brackets

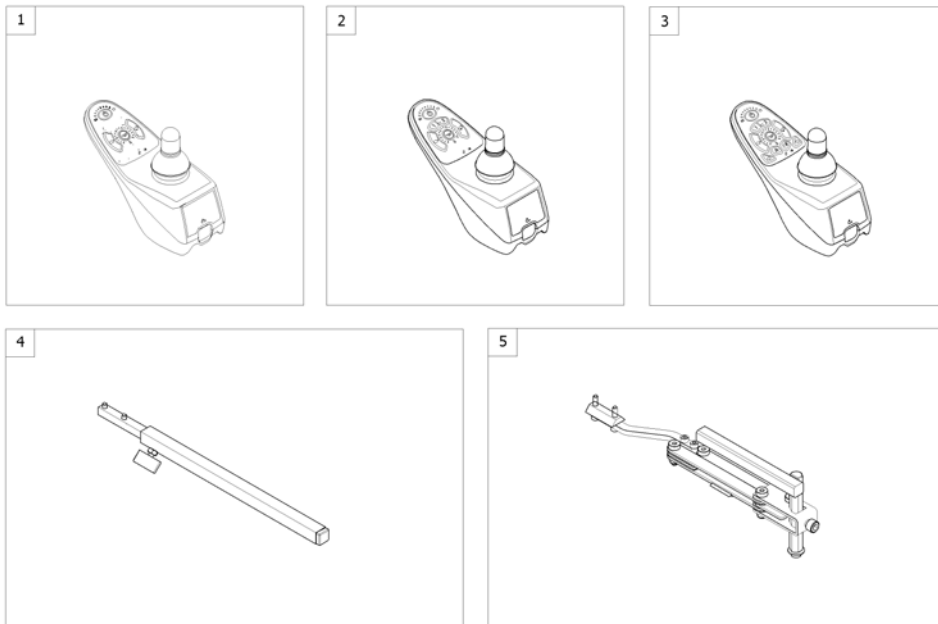
1560925 iso



Pos.	Part number	Description	Valid from → until	Qty
1	-	Remote Shark with Brackets <i>[1801]</i>		1
2	-	Remote Dual Control with Brackets <i>[1891/1892]</i>		1

## Remote Shark with Brackets

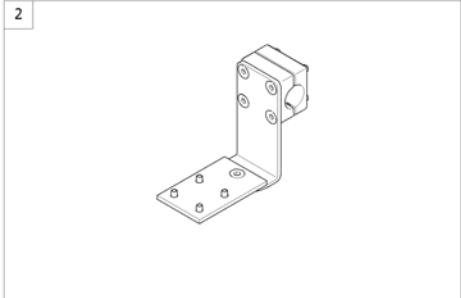
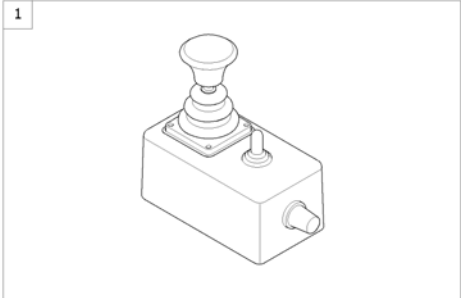
1563326.iss



Pos.	Part number	Description	Valid from → until	Qty
1	1492567	Remote DK-REM D01, Shark2 (Drive only) [1801]		1
2	1449177	Remote DK-REM D11, Shark2 (Drive & Adjustment) [1801]		1
3	1484904	Remote DK-REM D21, Shark2 (Drive, Adjustment, Light) [1801]		1
4	-	Remote Bracket Standard [1801+1207/1208]		1
5	-	Remote Bracket Swing away & height adjust. [1801+1707/1708]		1

Invacare® TDX-SP2, TDX-SP2 NB | Electronic  
**Remote Dual Control with Brackets**

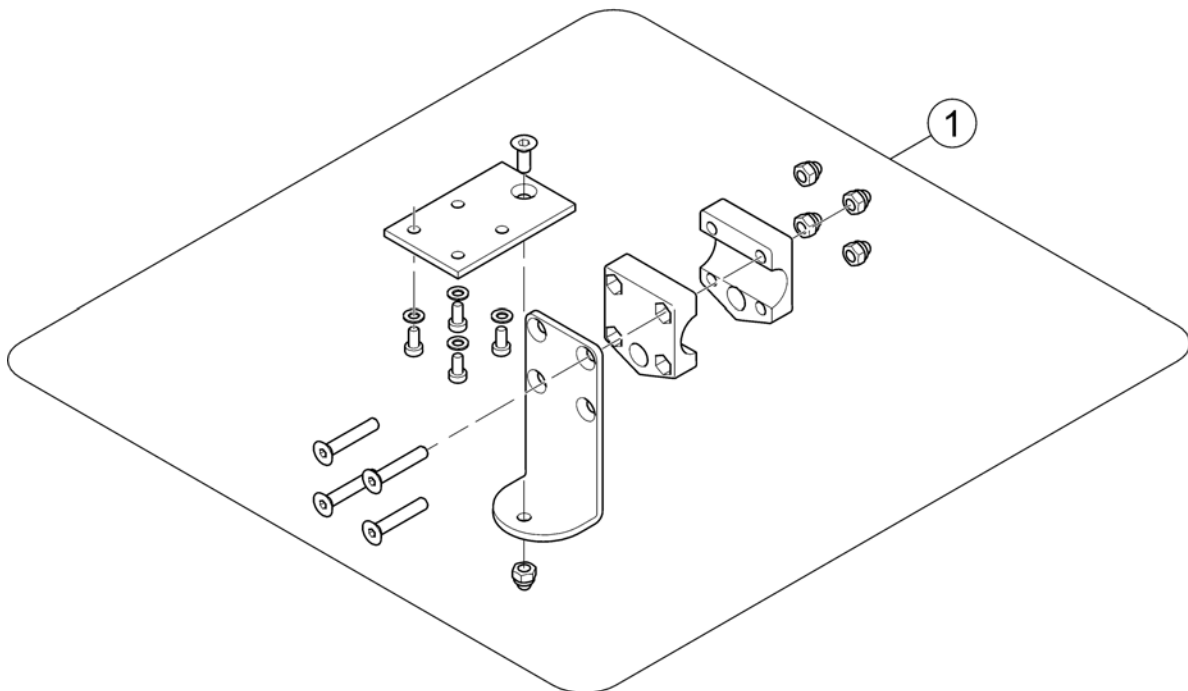
1563329.iss



Pos.	Part number	Description	Valid from → until	Qty
1	1444717	Shark Dual Control, switchable <i>[1891/1892]</i>		1
2	-	Remote Bracket Dual Control <i>[1891/1892]</i>		1

# Remote Bracket Dual Control

1560883.iso



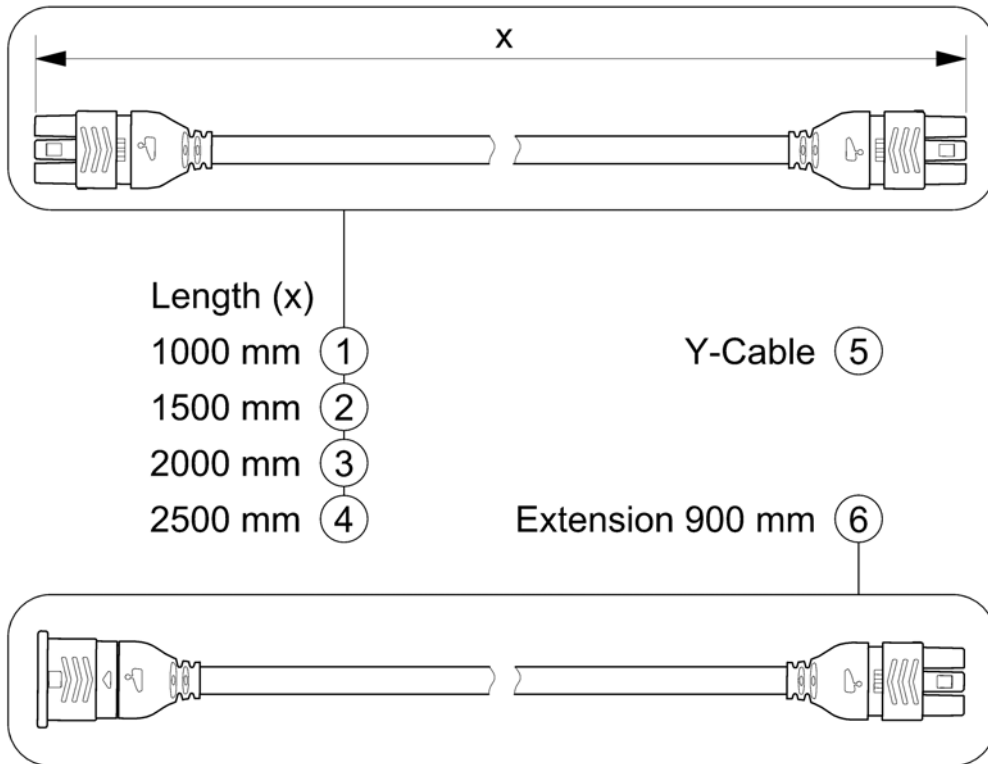
Pos.	Part number	Description	Valid from → until	Qty
1	1450307	Remote Bracket Attendent Control Shark		1

**Shark Cables & Accessories**

<b>Pos.</b>	<b>Part number</b>	<b>Description</b>	<b>Valid from → until</b>	<b>Qty</b>
-		Bus-Cables Shark		0
-		Cables Shark		0
-		Programming Kits		0

# Bus-Cables Shark

SHARKBUSKABEL.00

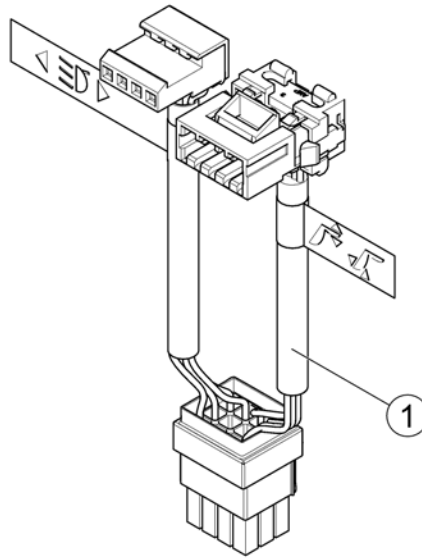


Pos.	Part number	Description	Valid from → until	Qty
1	1448922	Bus Cable Shark 1000mm		1
2	1450313	Buscable Shark 1500mm		1
3	1484911	Buscable Shark 2000mm		1
4	SP1510073	Buscable Shark 2500mm		1
5	1450314	Y-Cable		1
6	1116404	Extension Cable Shark 900mm		1



# Cables Shark

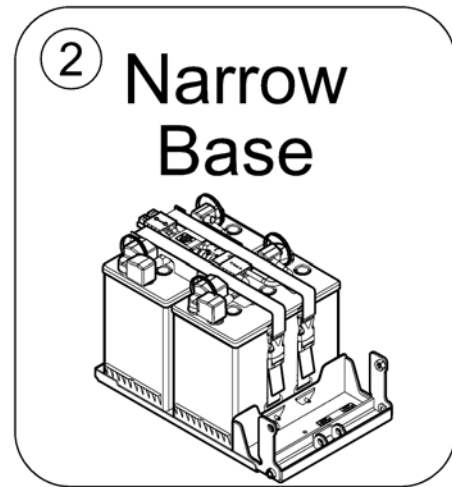
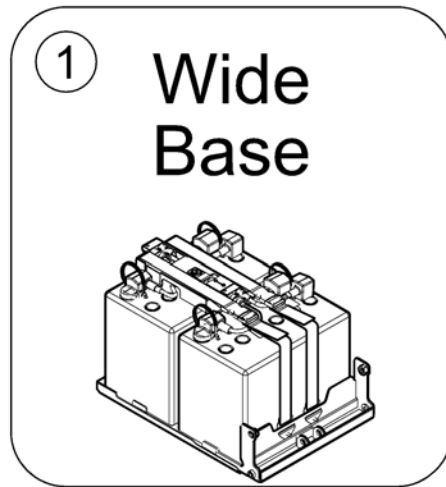
1583705 Rev



Pos.	Part number	Description	Valid from → until	Qty
1	1488951	Wire Harness Shark - electrical adjustments & light		1

## Batteries, Cables & Chargers

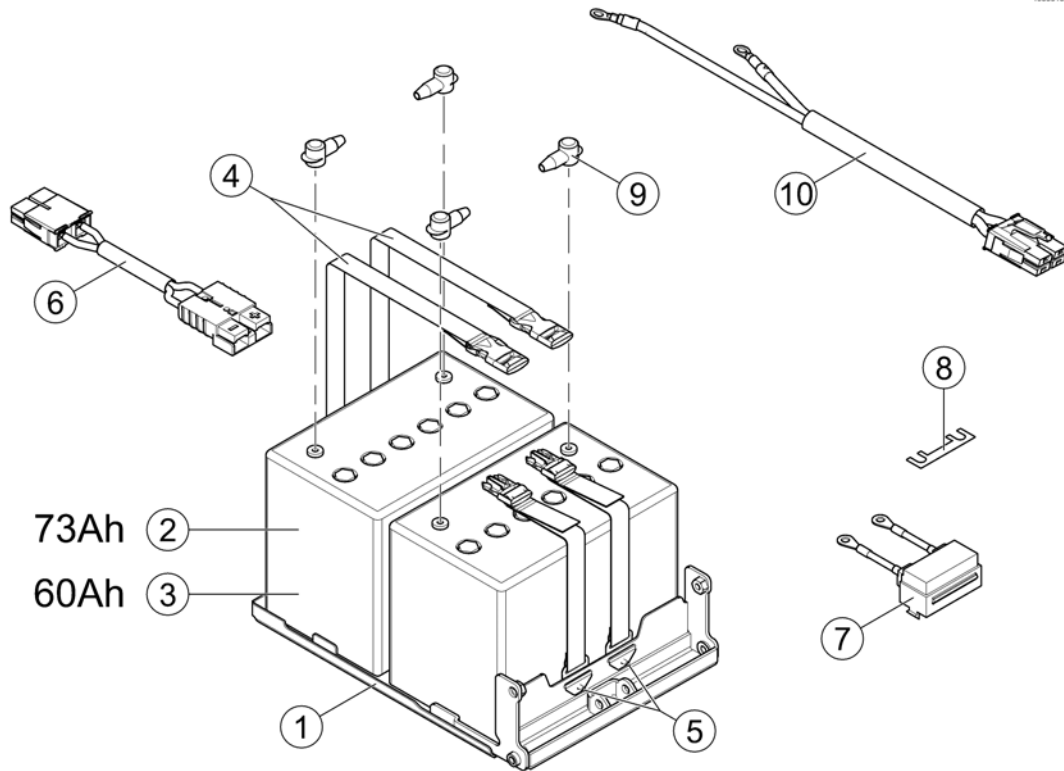
SPCTDX\_SP280.iso



Pos.	Part number	Description	Valid from → until	Qty
1	-	Battery, Tray & Wiring - Wide Base		0
1	-	Battery, Tray & Wiring - Wide Base		1
2	-	Battery, Tray & Wire Harness - Narrow Base		0
3	-	Chargers		1

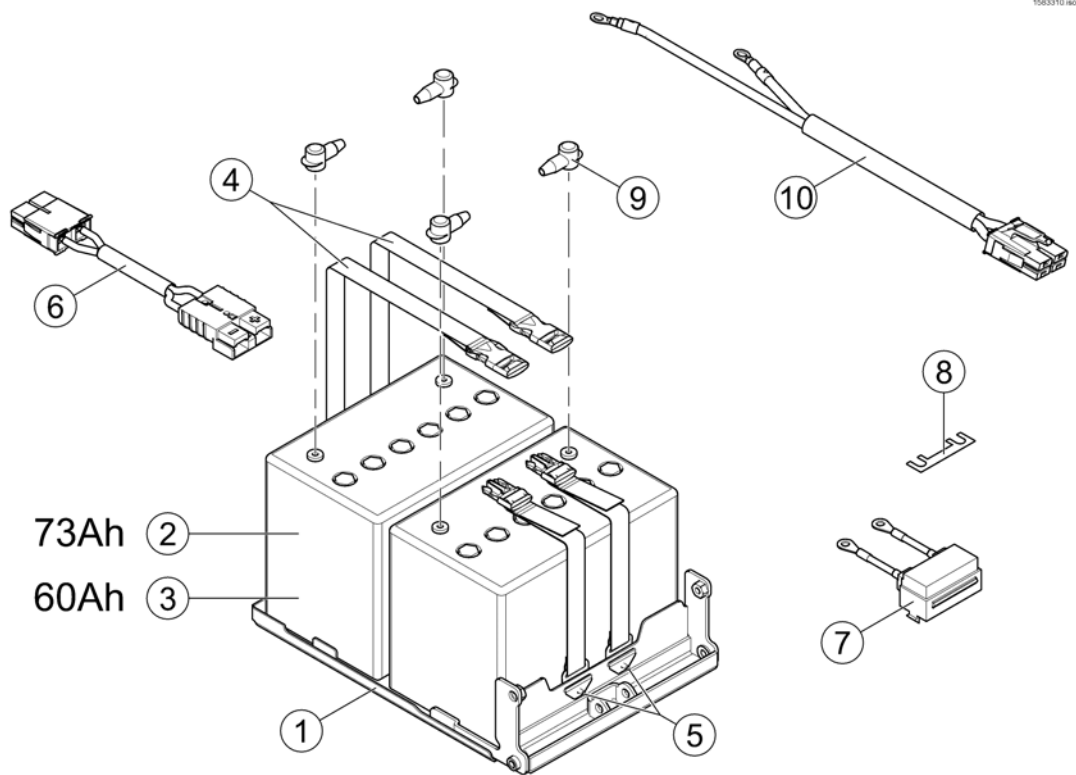
## Battery, Tray & Wiring - Wide Base

1563310.iss



Pos.	Part number	Description	Valid from → until	Qty
-	SP1523150	Strip, Self Adhesive Wear (2-1/2'Long x1/2"Wide)		1
1	SP1179723	Kit, Battery Tray Assy - Wide Base		1
2	P50016	Battery, 12V/73,6 Ah C20, Gel		2
3	1432944	Battery, 12V/60Ah C20, GEL <i>Lowrider Option only!</i>		2
4	SP1179296	Battery Strap Assy EU, GP24		2
5	SP1523266	Rivet (3/16 x7/16")		4
6	SP1527780	Battery Cable ACS2		1
7	1432561	Strip Fuse Holder with 80A Fuse		1
8	1433734	Strip Fuse 80A		1
9	P52996	Battery terminal cover		4
10	-	Not available so far.		0

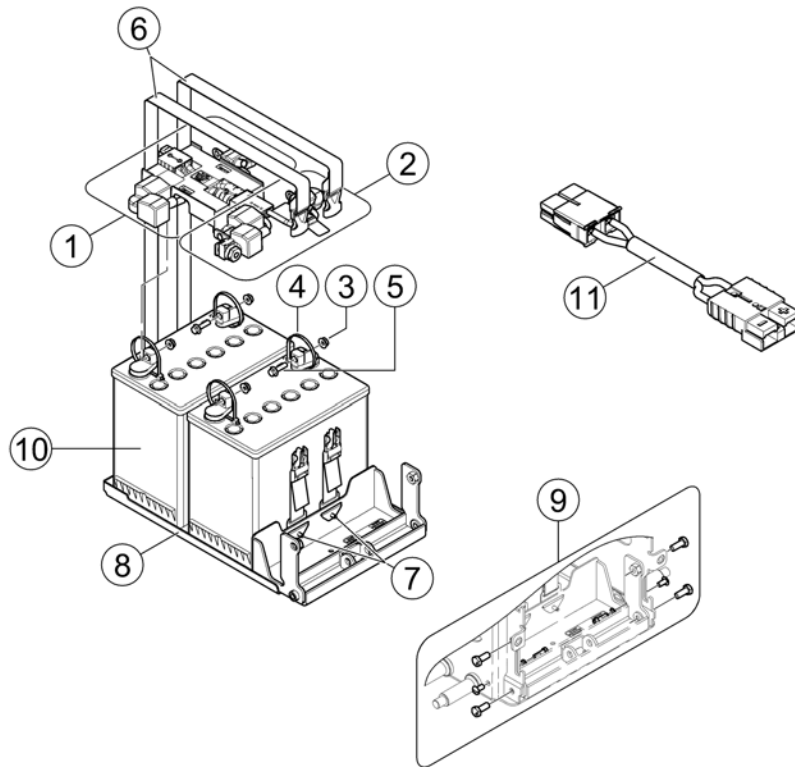
## Battery, Tray & Wiring - Wide Base



Pos.	Part number	Description	Valid from → until	Qty
-	SP1523150	Strip, Self Adhesive Wear (2-1/2"Long x1/2"Wide)		1
1	SP1179723	Kit, Battery Tray Assy - Wide Base		1
2	P50016	Battery, 12V/73,6 Ah C20, Gel		2
2	SP1587897	Battery, 12V/73,6 Ah C20, Gel - preconditioned (Sweden only)		2
3	1432944	Battery, 12V/60Ah C20, GEL <i>Lowrider Option only!</i>		2
4	SP1179296	Battery Strap Assy EU, GP24		2
5	SP1523266	Rivet (3/16 x7/16")		4
6	SP1527780	Battery Cable ACS2		1
7	1432561	Strip Fuse Holder with 80A Fuse		1
8	1433734	Strip Fuse 80A		1
9	P52996	Battery terminal cover		4
10	-	Not available so far.		0

## Battery, Tray & Wire Harness - Narrow Base

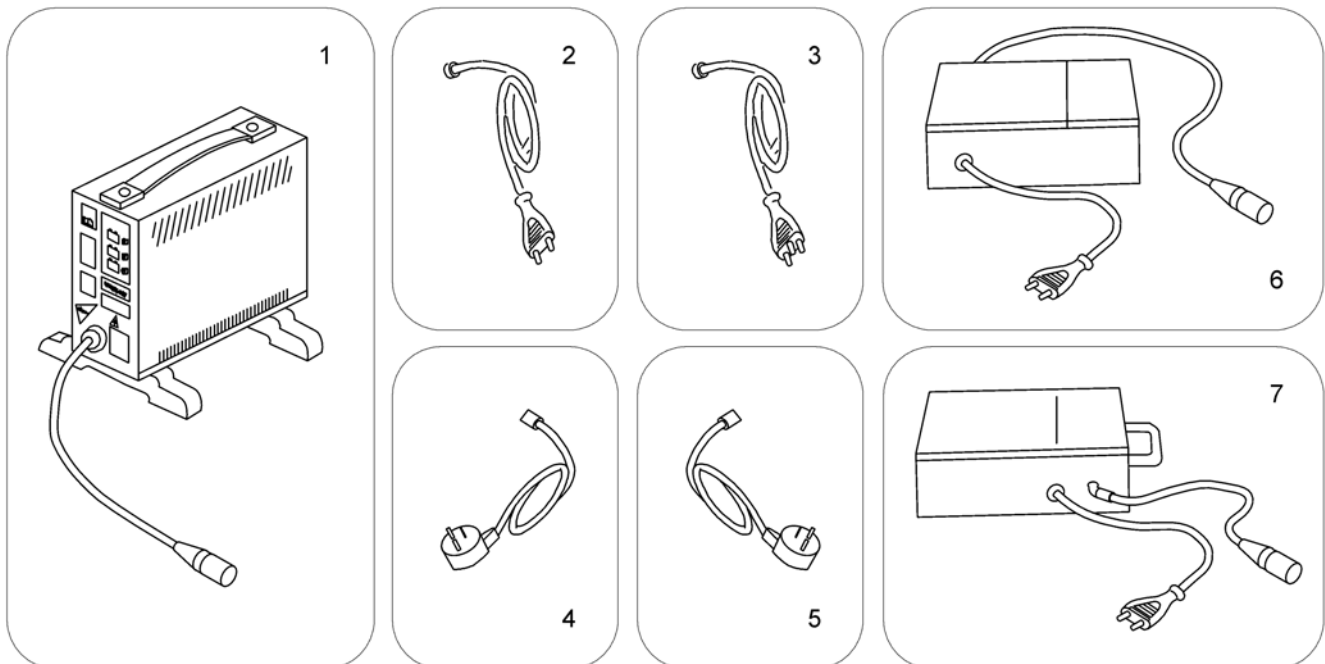
1583311.00



Pos.	Part number	Description	Valid from → until	Qty
-	SP1523150	Strip, Self Adhesive Wear (2-1/2"Long x1/2"Wide)		1
1	SP1120363	Kit, Battery Wiring w/Terminal Hardware, rear		1
2	SP1120362	Kit, Battery Wiring w/Terminal Hardware, front		1
4	SP1522970	Package, Cable Ties (11-1/2"Long)		1
5	SP1522972	Screw, Hex Flange Whiz Lock (1/4-20x7/8")		4
6	SP1144682	Battery strap		1
7	SP1523266	Rivet (3/16 x7/16")		4
8	SP1179722	Kit, Battery Tray Assy - Narrow Base		1
9	SP1179896	Kit, Battery Tray Stop Hardware		1
10	PG50989	Battery, 12V/50,9Ah C20, GEL		2
11	SP1527780	Battery Cable ACS2		1

## Chargers

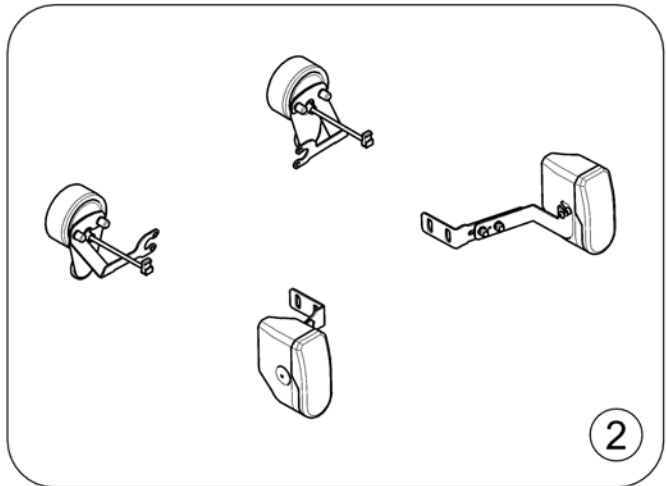
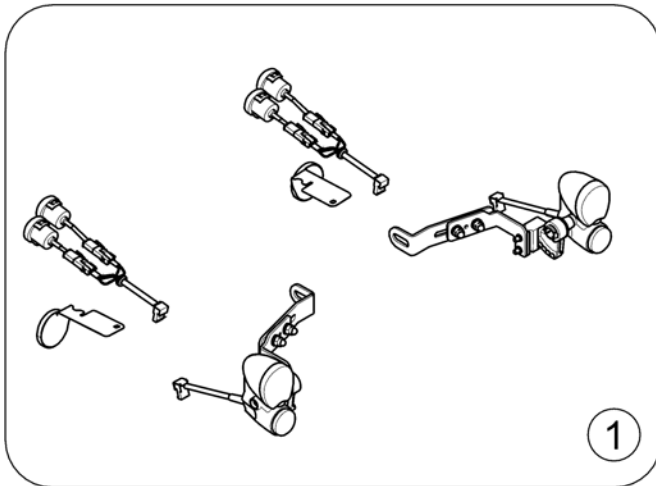
1589799.iso



Pos.	Part number	Description	Valid from → until	Qty
1	SPP51981	Charger 8A without Power Cord <i>[1343]</i>		1
2	P21079	Power Cord Continental (Schuko GCB-0401)		1
3	P21080	Power Cord UK (GCB-0403)		1
4	1443841	Power Cord Swiss (black 6A/250V)		1
5	SP1553849	Power Cord Israel (IEC 320 C13 to SI-32)		1
6	SP1545511	Charger 10A incl. Power Cord Continental <i>[1389]</i>		1
7	5813987	Charger 8A (Protectionclass IP54) incl. Power Cord Continental (Sweden only) <i>[1388]</i>		1

# Lightsystem

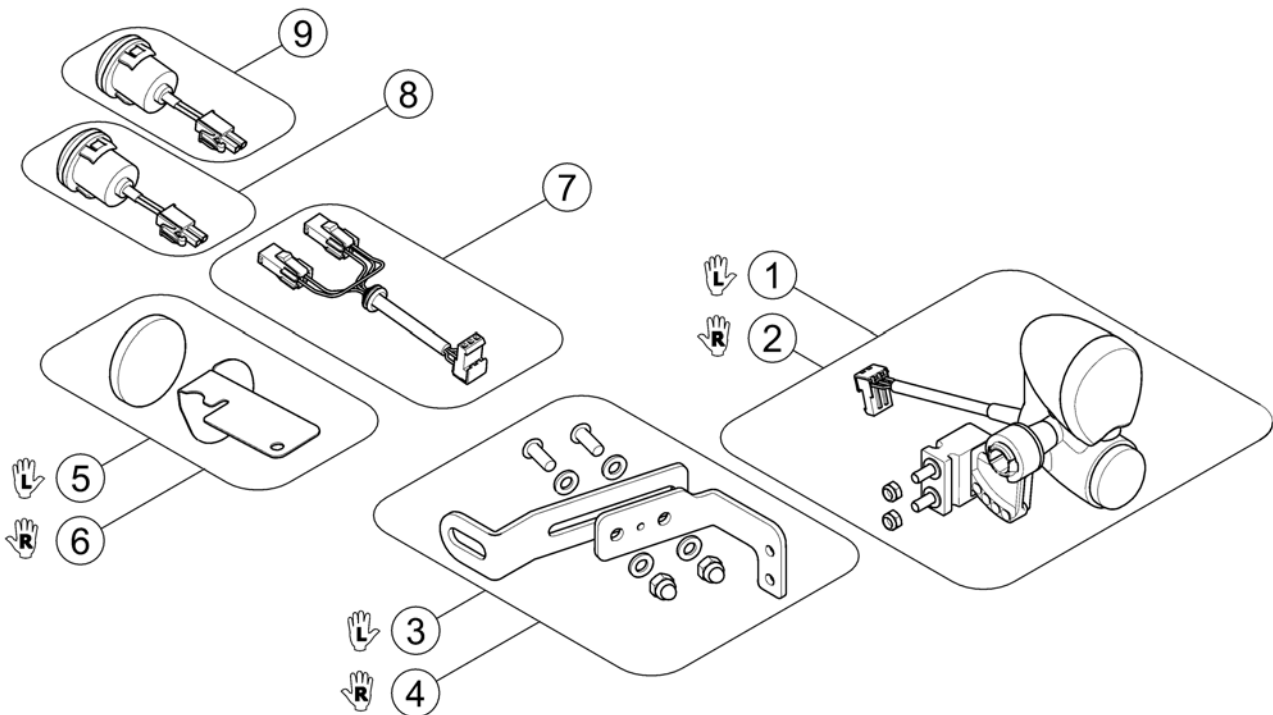
1582964.iso



Pos.	Part number	Description	Valid from → until	Qty
1	-	Lightsystem LED [1437]		1
2	-	Lightsystem german Homologation [1367]		1

# Lightsystem LED

1583076 iso

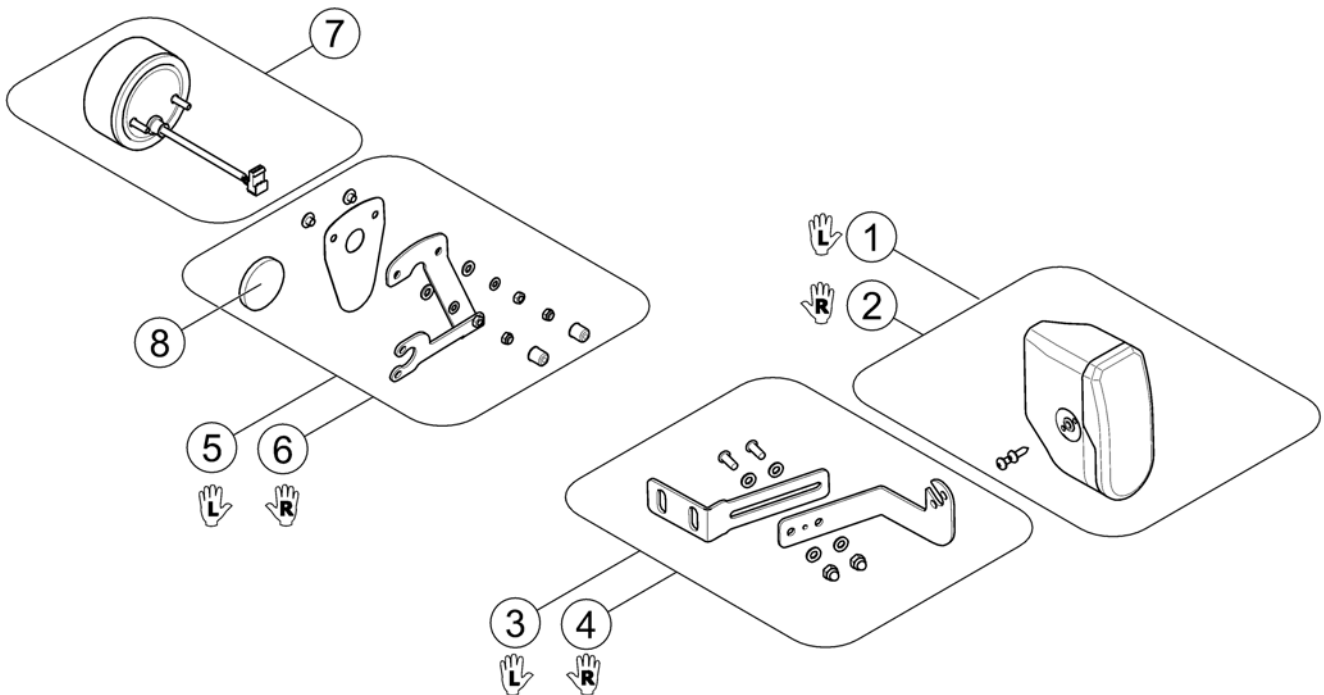


Pos.	Part number	Description	Valid from → until	Qty
1	SP1536030	Front light LED, LH		1
2	SP1576193	Front Light LED RH		1
3	SP1583093	Light Bracket LED, front LH		1
4	SP1583092	Light Bracket LED, front RH		1
5	SP1583095	Reflector rear LH		1
6	SP1583094	Reflector rear RH		1
7	SP1529712	Rear light LED-Cable		1
8	SP1530288	Rear light		1
9	SP1530287	Turn indicator		1



# Lightsystem german Homologation

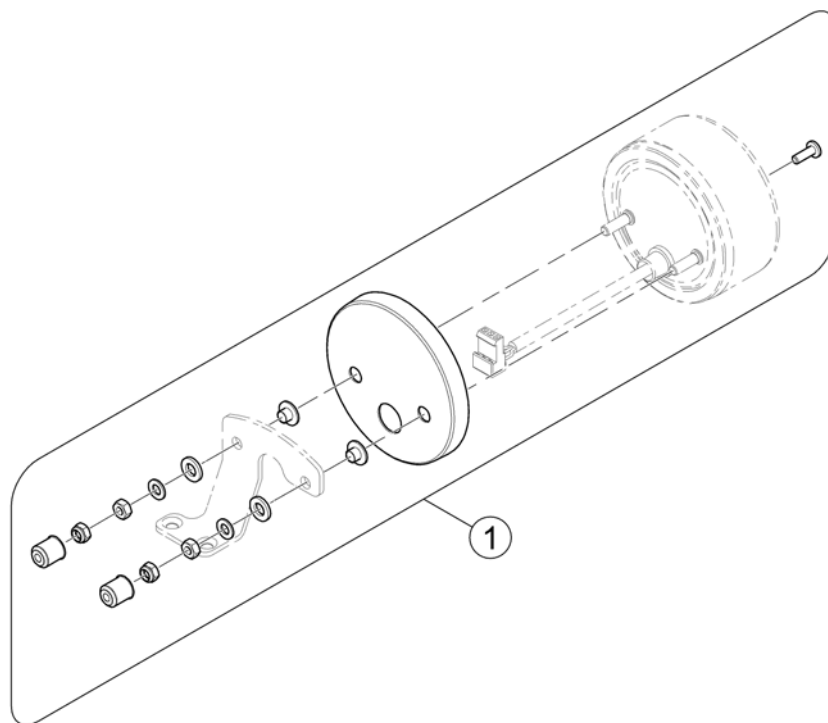
1583077.00



Pos.	Part number	Description	Valid from → until	Qty
-	P31108	Light Bulb 24V/10W (BA15s), white (Front)		1
-	P31191	Light Bulb 24V/5W, white (Rear)		1
-	SP1419271	Light Bulb 24V/21W, yellow (Turn Signal front/rear)		1
!!!	-	Rear Light Protector Kit		0
1	1440426	Headlight 24V, LH, cable 800mm, without bracket		1
2	1420412	Headlight 24V, RH, cable 900mm, without bracket		1
3	SP1583088	Light Bracket front LH		1
4	SP1583087	Light Bracket front RH		1
5	SP1583089	Light Bracket rear LH		1
6	SP1583090	Light Bracket rear RH		1
7	1442736	Rear Light 24V, cpl.		1
8	SP1541591	Reflector, red		1

# Rear Light Protector Kit

1585420.000



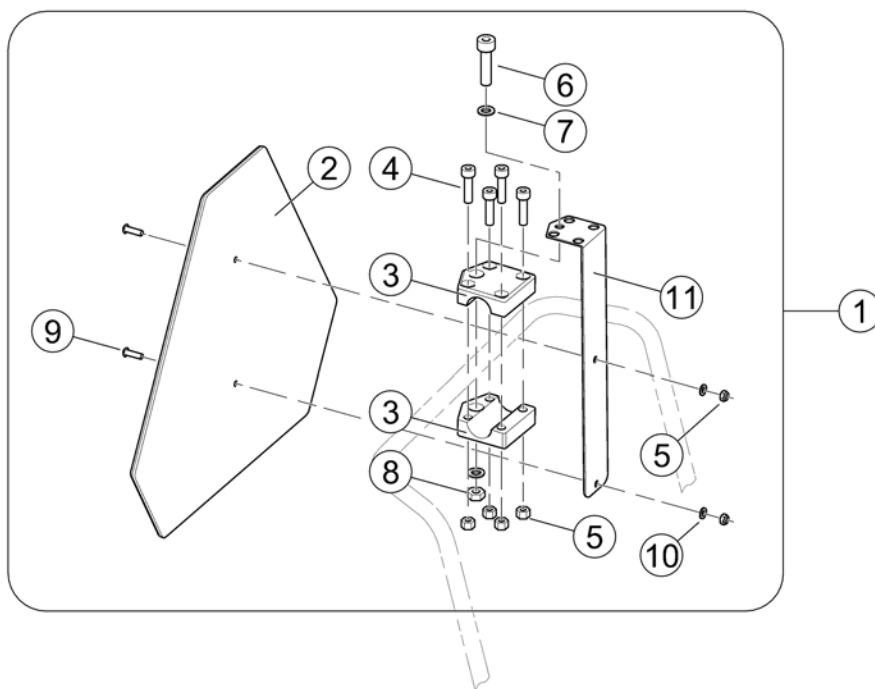
Pos.	Part number	Description	Valid from → until	Qty
1	SP1581827	Rear Light Protector Exchange Kit		1

## Reflective Sign

Pos.	Part number	Description	Valid from → until	Qty
-		Reflective Sign		1
-		Reflective Sign (Ultra Low Maxx Seat)		1

## Reflective Sign

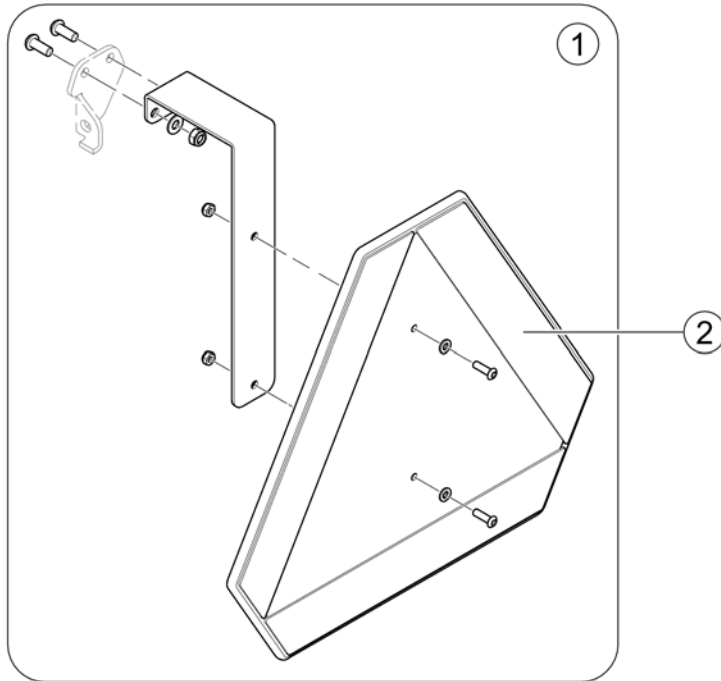
SP1430410.iss



Pos.	Part number	Description	Valid from → until	Qty
1	SP1430410	Reflective Sign ECE-R 69, complete		1
2	1430834	Rear Marking Sign ECE-R 69		1
3	Z12008A.P40	Gripping clip with hexagon hole, RAL 9005 black		2
4	D50004	Cylinder Bolt M6x30-8.8 bk - DIN 912		4
5	F20109	Hexagon Nut M6 bk - DIN 985		6
6	D00102	Hexagon Bolt M8x45-8.8 bk - DIN 931		1
7	G00107	Washer Ø8,4 bk - DIN 125		2
8	F00002	Hexagon Nut M8 bk - DIN 985		1
9	D90187	Fillister Head Screw M6x20-10.9 bk - DIN 7380		2
10	G00115	Washer Ø6,4 bk - DIN 125		2
11	1430418-9005	Mounting Bracket for Reflective Sign - RAL 9005 black		1
12	SP1580671	Bracket, Reflective Sign, cpl.		1

## Reflective Sign (Ultra Low Maxx Seat)

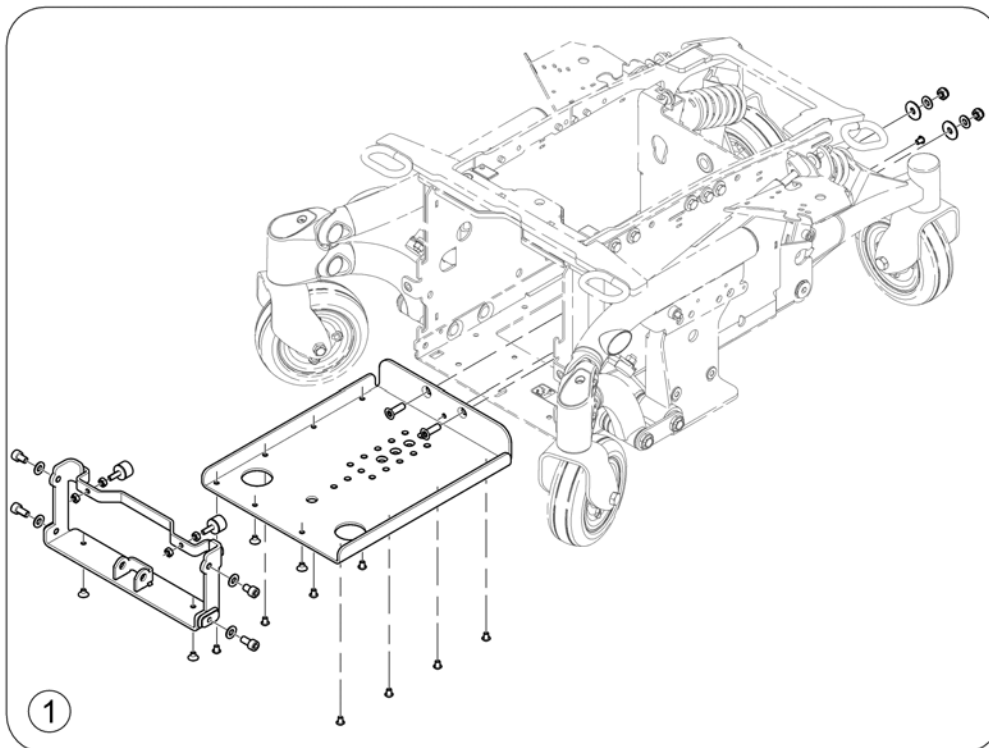
1588516 Rev



Pos.	Part number	Description	Valid from → until	Qty
1	-	Not available so far.		1
2	1430834	Rear Marking Sign ECE-R 69		1

# Adapter-Kit DAHL Docking Station - Wide Base

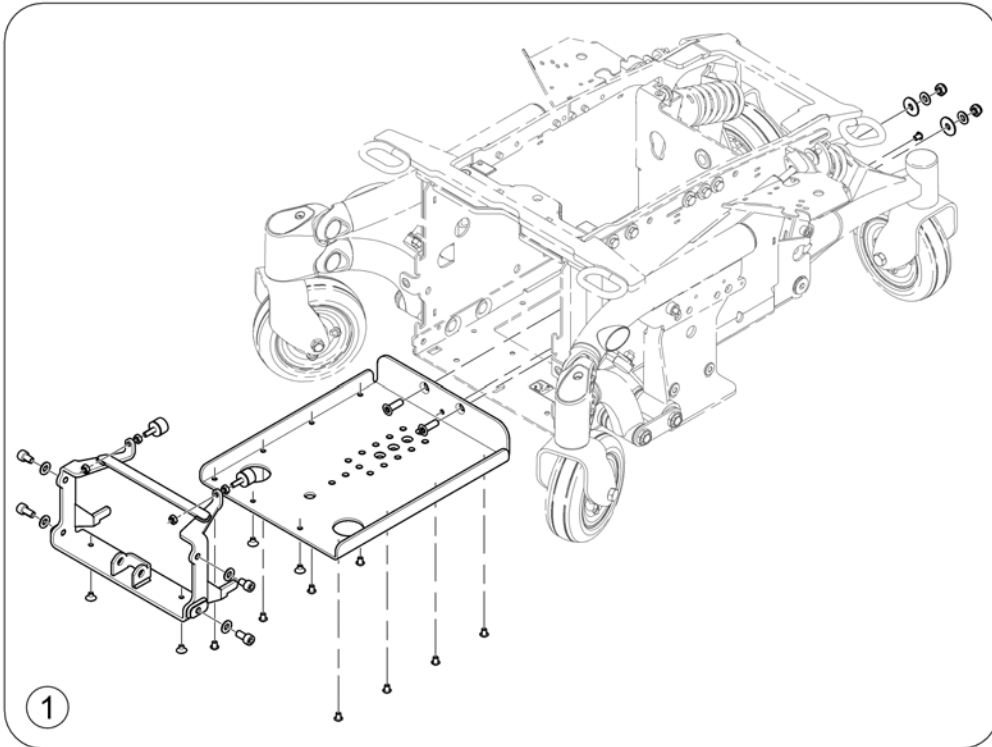
1583706 iso



Pos.	Part number	Description	Valid from → until	Qty
1	SP1564843	Retrofit-Kit for DAHL Docking Station - Wide Base		1

## Adapter-Kit DAHL Docking Station - Narrow Base

1583707 iso



Pos.	Part number	Description	Valid from → until	Qty
1	SP1564807	Retrofit-Kit for DAHL Docking Station - Narrow Base		1

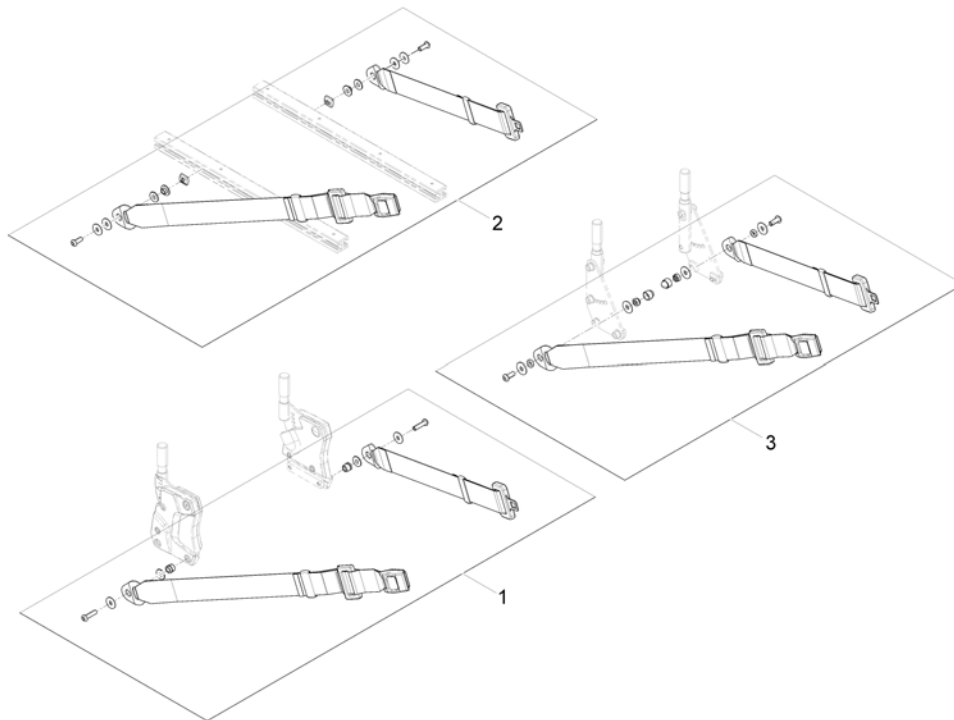
## Safety Belts

Pos.	Part number	Description	Valid from → until	Qty
-		Lap Belts (Modulite Seat) <i>[1329/2113 for 2100]</i>		1
-		Lap Belt (Ultra Low Maxx) <i>[2113 for 2020]</i>		1
-		Lap Belt (Max Seat) <i>[1329 for 1145]</i>		1
-		H-Belts (Modulite Seat) <i>[1332 for 2100]</i>		1



## Lap Belts (Modulite Seat)

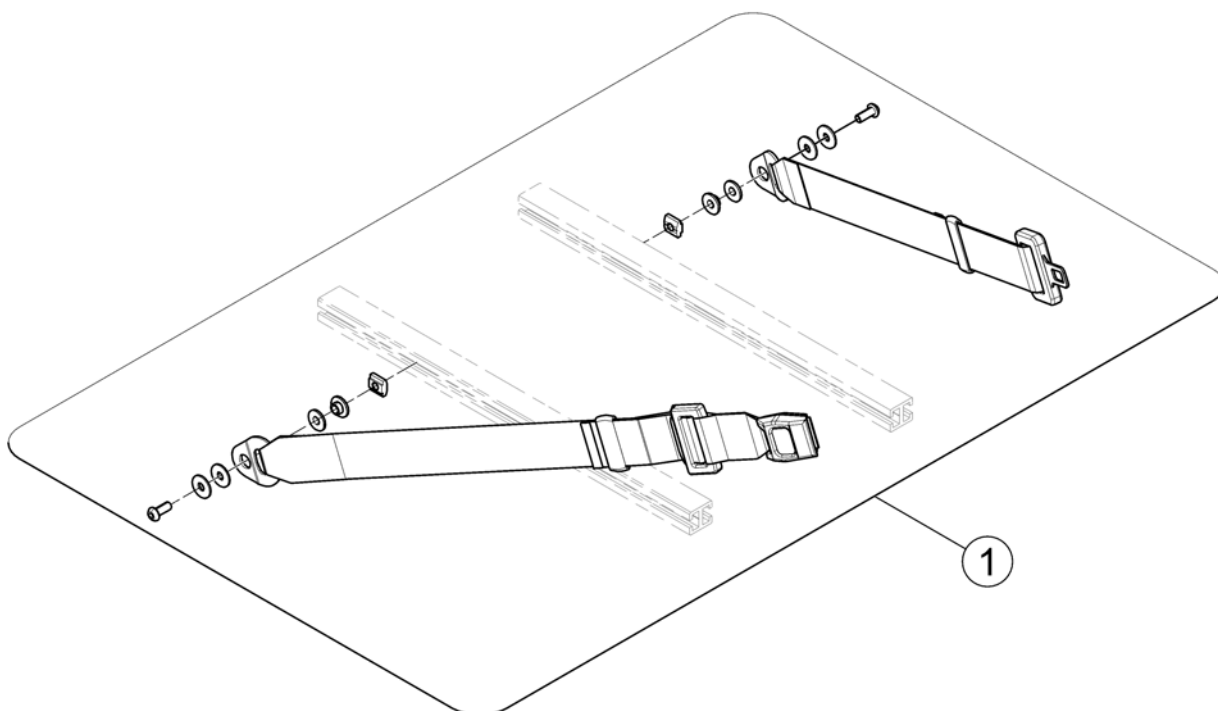
1571836 iso



Pos.	Part number	Description	Valid from → until	Qty
1	SP1570381	Lap Belt (fix mounting on Backrest Support), cpl.		1
2	SP1571183	Lap Belt (flexible mounting in side rails), cpl.		1
3	1422845	Lap Belt, cpl.		1

# Lap Belt (Ultra Low Maxx)

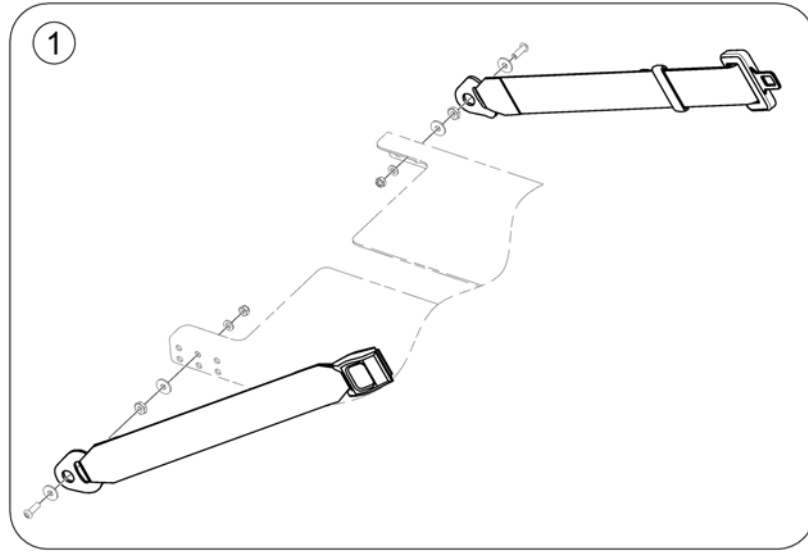
1588510.iso



Pos.	Part number	Description	Valid from → until	Qty
1	SP1571183	Lap Belt (flexible mounting in side rails), cpl.		1

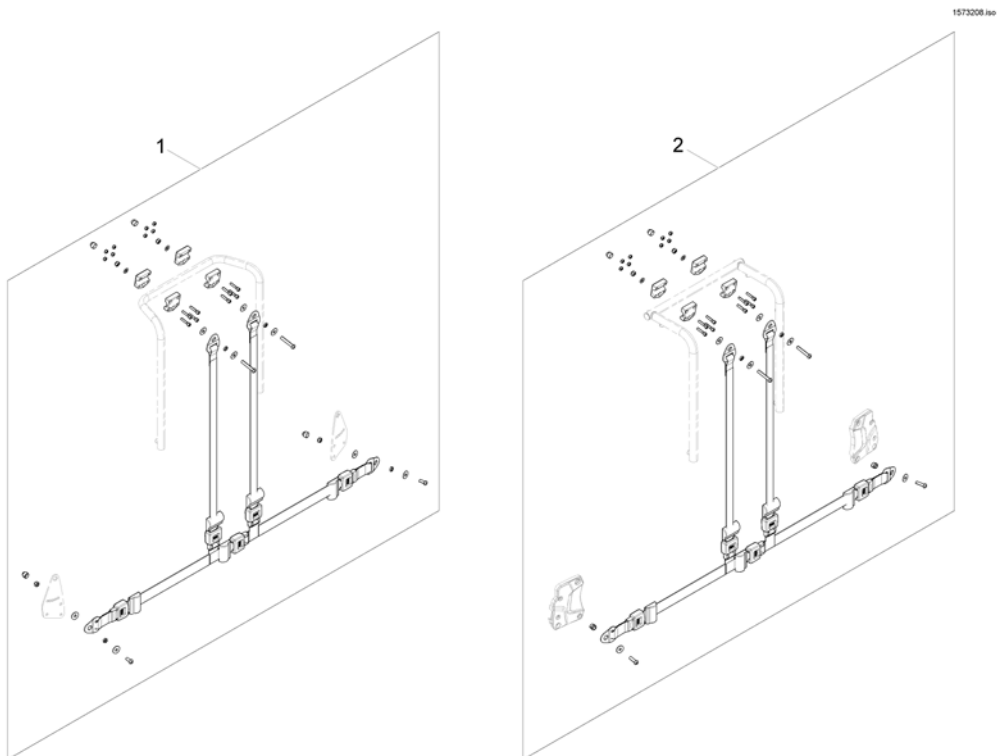
## Lap Belt (Max Seat)

1582371 Rev



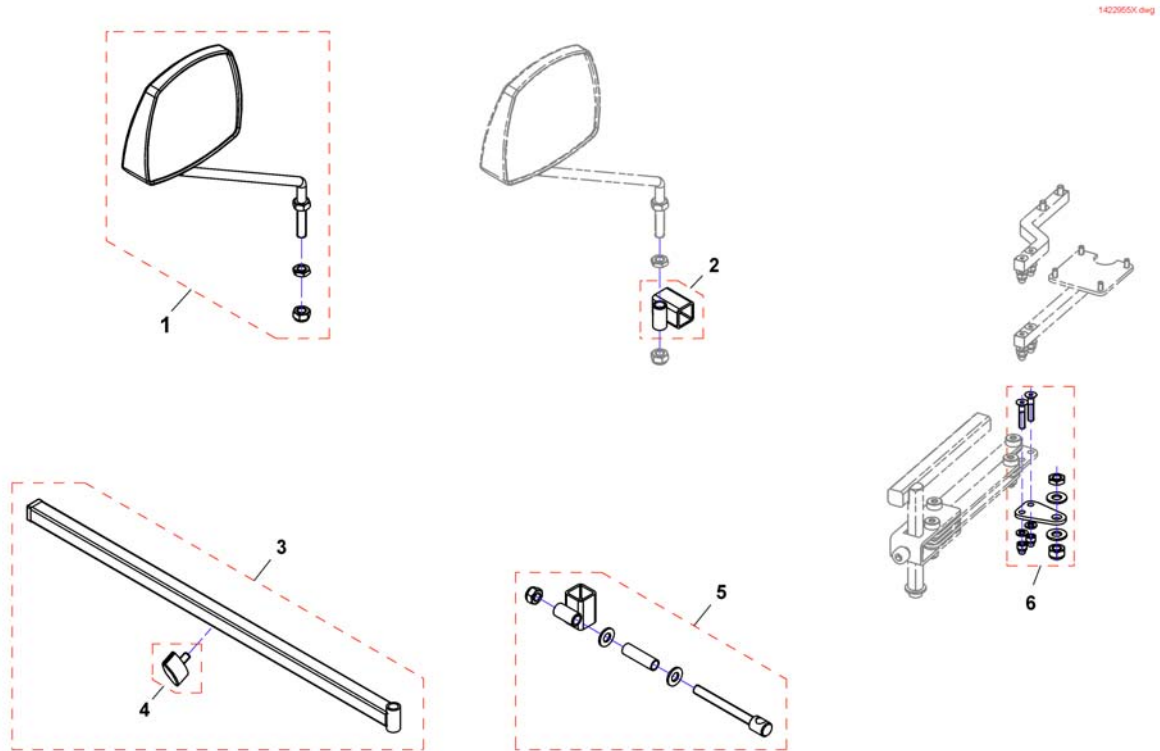
Pos.	Part number	Description	Valid from → until	Qty
1	1551067	Lap Belt Autolock, long		1

## H-Belts (Modulite Seat)



Pos.	Part number	Description	Valid from → until	Qty
1	SP1570385	H-Belt for Backrest Frame		1
2	SP1570380	H-Belt for Back Posts		1

## Rearview Mirror

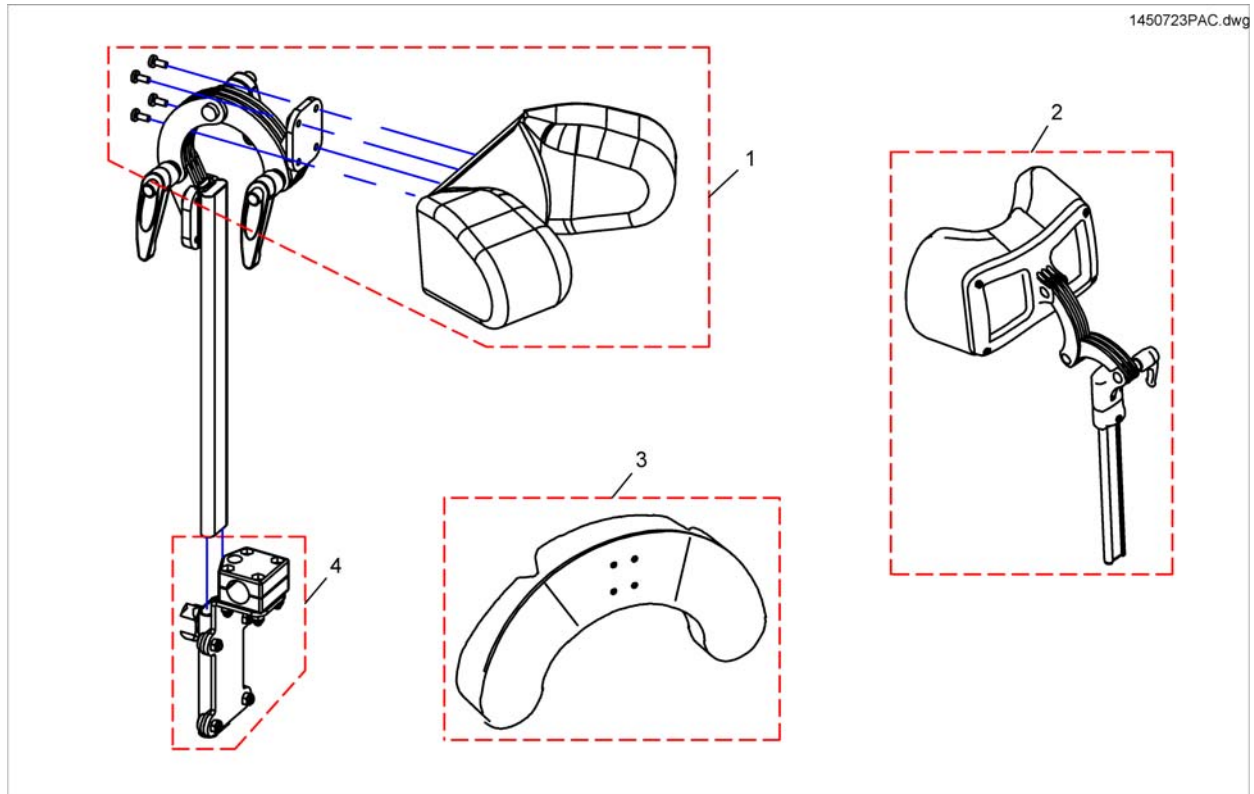


Pos.	Part number	Description	Valid from → until	Qty
1	SP1422955	Rear Mirror		1
2	F276005.00	Mirror bracket		1
3	SP1423435	Rear Mirror Support Rail cpl.		1
4	L31001	Wing ScREW M6X10		1
5	SP1422957	Mirror bracket		1
6	SP1527151	Adapter to mount mirror and remote at the same side		1

## Headrests

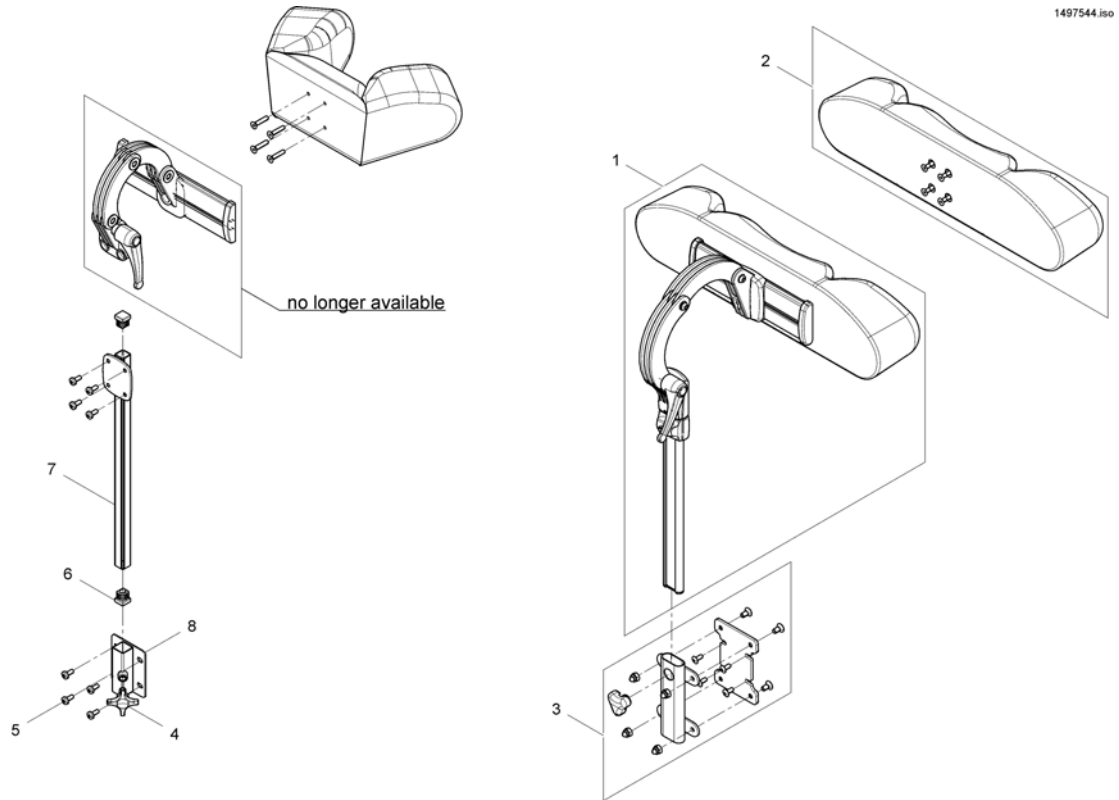
Pos.	Part number	Description	Valid from → until	Qty
-		Head- / Neckrest		1
-		Headrest sidewise adjustable		1
-		Headrest with cheek support		1
-		Headrests - Ultra Low Maxx Seat		1

## Head- / Neckrest



Pos.	Part number	Description	Valid from → until	Qty
1	1487404	Headrest cushion VCR, cpl.		1
2	SP1527050	Neckrest, depth adjustable		1
3	1444304	CUSHION, CHEEK SUPPORT		1
4	SP1422914	Head-/Neckrest Bracket, cpl.		1

# Headrest sidewise adjustable

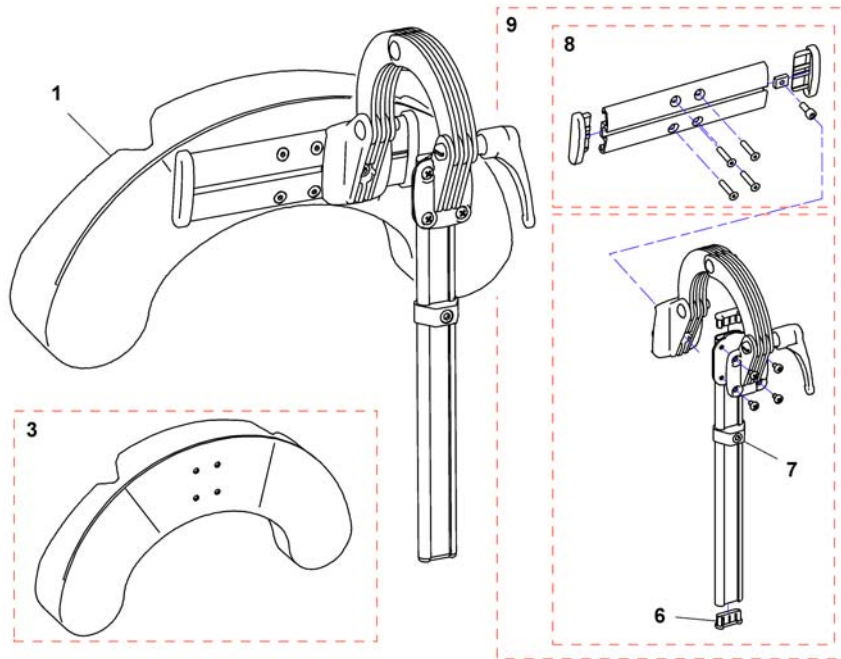


Pos.	Part number	Description	Valid from → until	Qty
1	SP1530119	Headrest, sidewise adjustable, cpl. - Dartex TR26		1
2	SP1422865	Headrest cushion contour black, without bracket		1
2	1422866	HEADREST PAD STD./CONTOUR GREY		1
2	SP1522214	HEADREST PAD STD./CONTOUR BLACK PLUSH		1
3	SP1544680	MOUNTING-KIT		1
4	256099	Wing Screw M8 X 20 639		1
5	-	Lens head screw DIN7985-M05x12-4.8 zc		1
6	L01055	Plug 15x15mm		1
7	1451639-0205	Headrest REA Angle Adjustment		1
8	26002351	Tube Headrest		1



# Headrest with cheek support

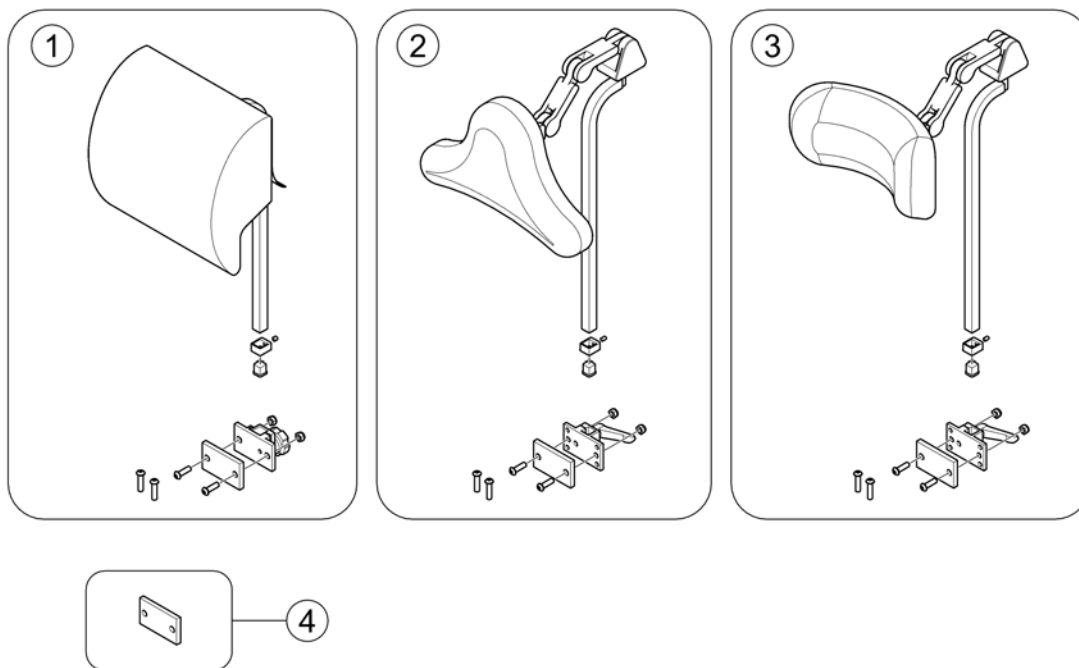
1448560X.dwg



Pos.	Part number	Description	Valid from → until	Qty
1	1446560	Cheek Support, Sidewise Adj.		1
1	SP1541658	Head/cheek support TR26 cpl. sidewise adjustable EasyAdapt		1
3	1444304	CUSHION, CHEEK SUPPORT		1
5	SP1529572	Headrest holder for EasyAdapt		1
6	5716497	Plug IPO "special"		1
7	1448661	STOP CPL., NECK- & HEADREST		1
8	1445838	Rail head support		1
9	1485538	KIT, HEADREST ATTACHMENT		1

## Headrests - Ultra Low Maxx Seat

1588517.00



Pos.	Part number	Description	Valid from → until	Qty
1	SPTRC1929	Onyx Auto Style Headrest		1
2	SPTRC1930	All-Position Headrest		1
3	SPTRC1931	Comfort Plus Headrest		1
4	SPTRX2685	Headrest Shim Kit Posture Back		1
4	SP1544188	Headrest Shim Kit Deep Back SW 410-430mm		1
4	SP1544187	Headrest Shim Kit Deep Back SW 460-610mm		1

## Lateral Supports

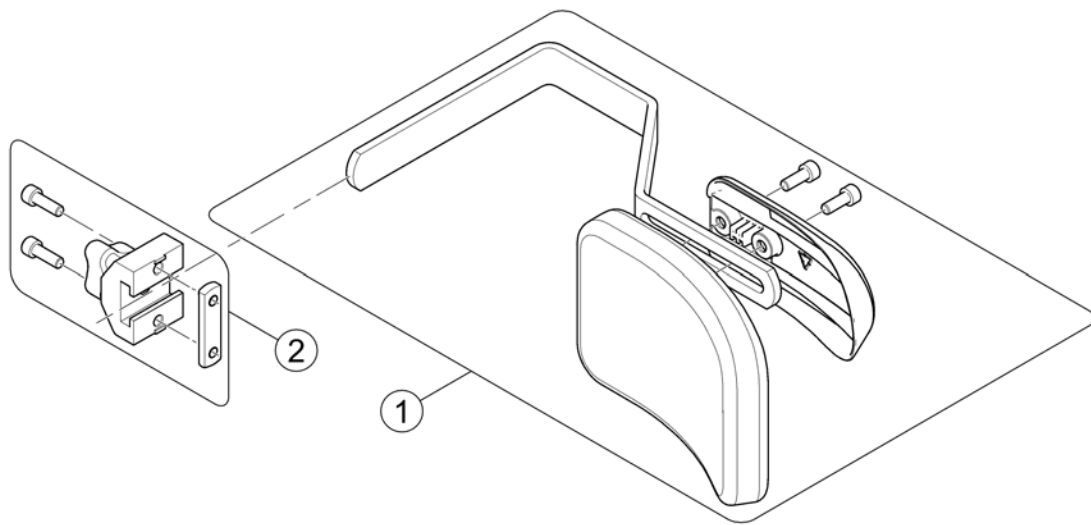
Pos.	Part number	Description	Valid from → until	Qty
-		Lateral Support - Modulite Seat		1
-		Lateral Support - Ultra Low Maxx Seat		1

## Lateral Support - Modulite Seat

Pos.	Part number	Description	Valid from → until	Qty
1	-	Lateral Support (Dartex) [1446]		1
2	-	Lateral Support, extended arm (Dartex) [1445]		1

## Lateral Support (Dartex)

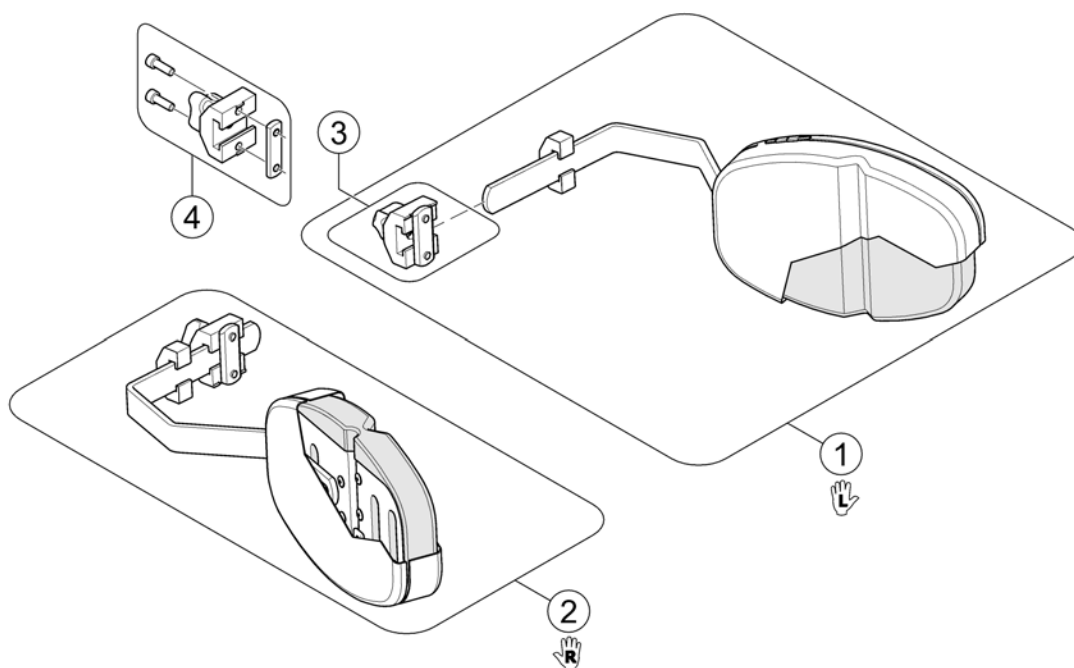
158860.000



Pos.	Part number	Description	Valid from → until	Qty
-		Design change on 01. July 2015 - we suggest to change older Supports on both sides.		0
1	SP1588314	Lateral Support, cpl.		1
2	1543574	Locking trunk support		1

# Lateral Support, extended arm (Dartex)

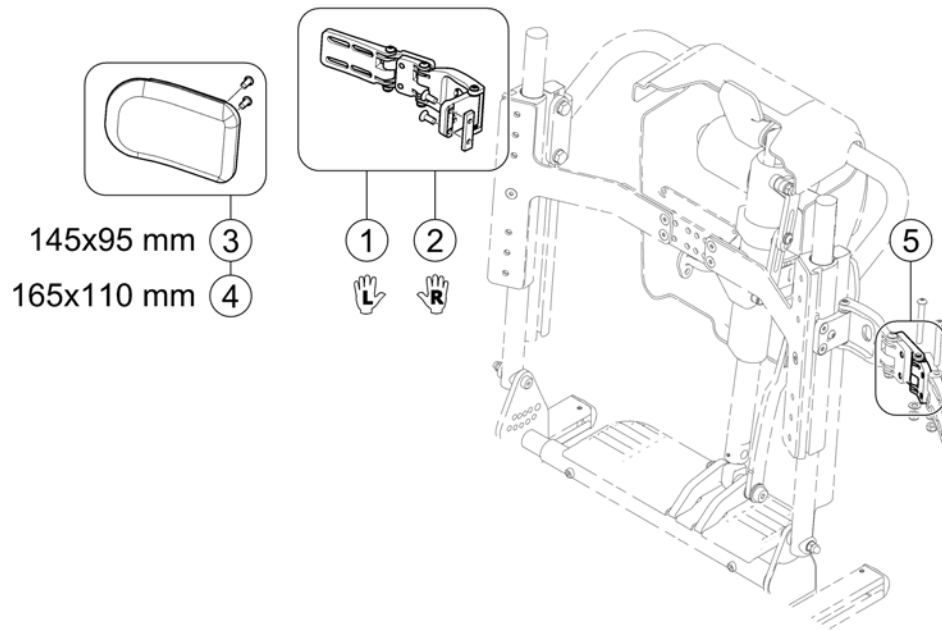
1562674.iss



Pos.	Part number	Description	Valid from → until	Qty
1	1448692	Lateral Support, multi adjustable - RH <i>Dartex grey</i>		1
2	1448693	Lateral Support, multi adjustable - RH <i>Dartex grey</i>		1
3	5253170	Lateral Support Bracket <i>Only for Flex/Flex2 Seat!</i>		1
4	1543574	Locking trunk support <i>Only for Modulite Seat!</i>		1

## Lateral Support - Ultra Low Maxx Seat

1588596.iss



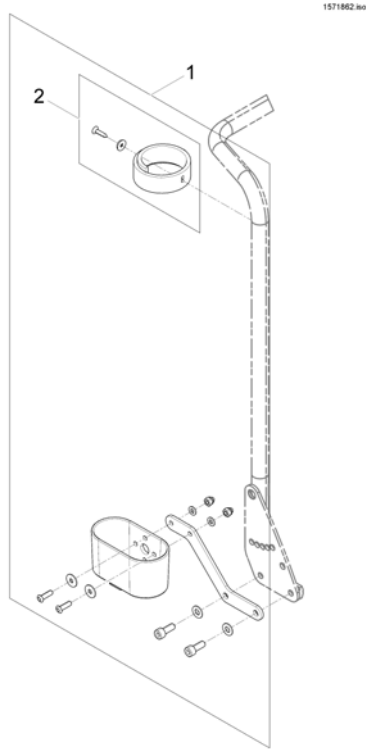
Pos.	Part number	Description	Valid from → until	Qty
1	SPTRC1806	Lateral Hardware Assy LH		1
2	SPTRC1805	Lateral Hardware Assy RH		1
3	SPTRC2123-C03	Lateral Pad Kit 145x95 mm		1
4	SPTRC2123-C04	Lateral Pad Kit 165x110 mm		1
5	SPTRC2091	Extension Kit, Lateral Support (Set of 2 pcs)		1

## Cane holder

Pos.	Part number	Description	Valid from → until	Qty
-		Cane holder (Modulite: backrest frame)		1
-		Cane holder (Modulite: back posts man recliner)		1
-		Cane holder (Modulite: back posts pow recliner)		1
-		Cane holder (MAX Seat)		1

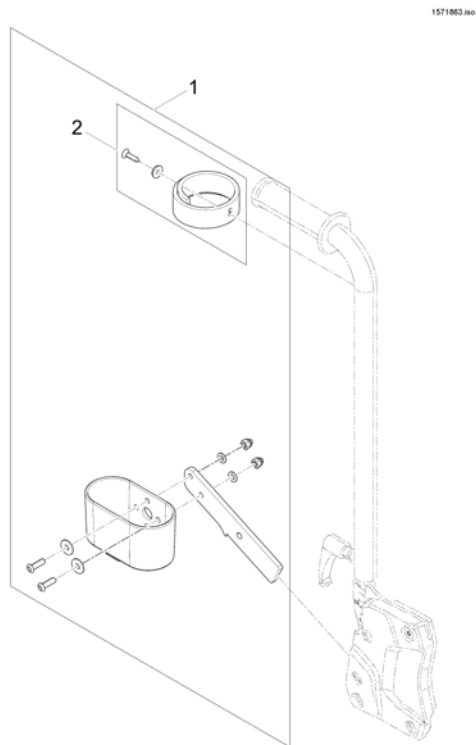


## Cane holder (Modulite: backrest frame)



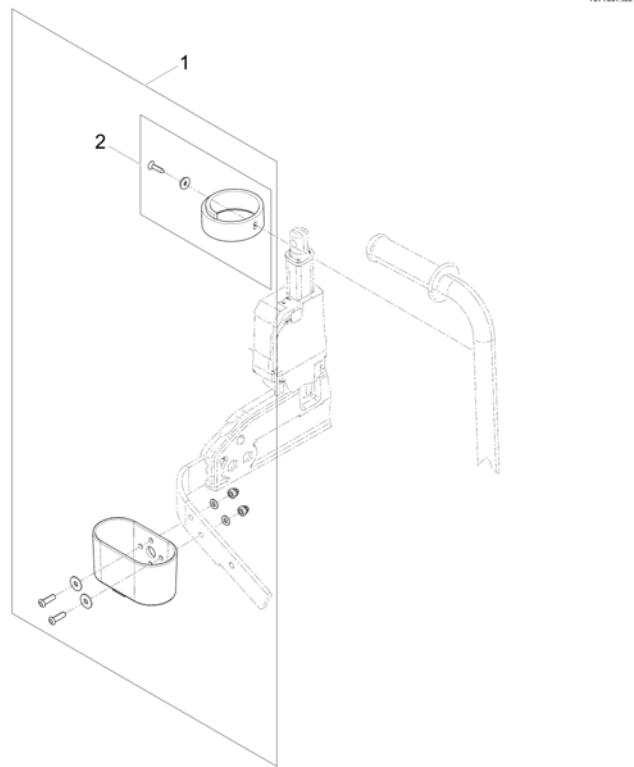
Pos.	Part number	Description	Valid from → until	Qty
1	SP1570396	Cane holder, standard backrest		1
2	SP1420493	Belt for caneholder		1

## Cane holder (Modulite: back posts man recliner)



Pos.	Part number	Description	Valid from → until	Qty
1	SP1570443	Cane holder, manual backrest		1
2	SP1420493	Belt for caneholder		1

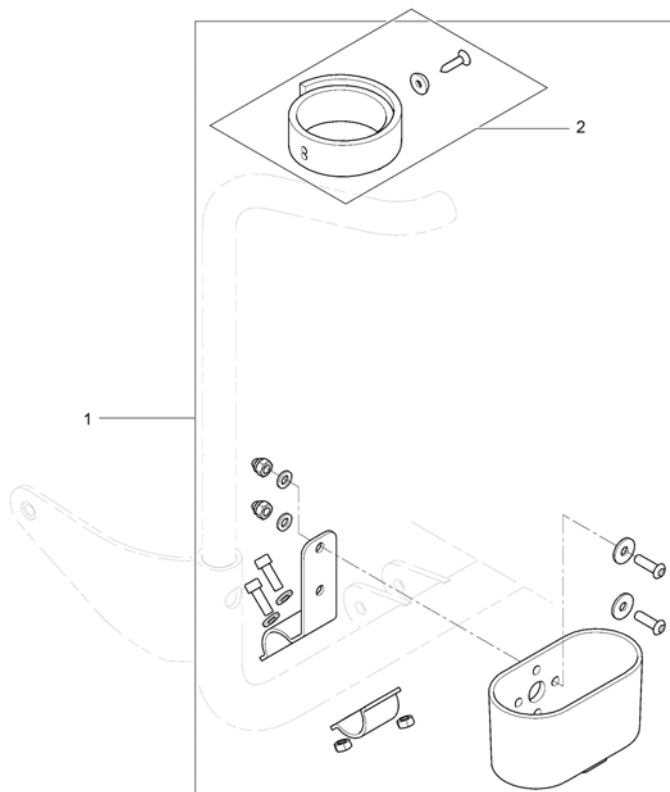
## Cane holder (Modulite: back posts pow recliner)



Pos.	Part number	Description	Valid from → until	Qty
1	SP1570382	Cane holder, powered backrest		1
2	SP1420493	Belt for caneholder		1

## Cane holder (MAX Seat)

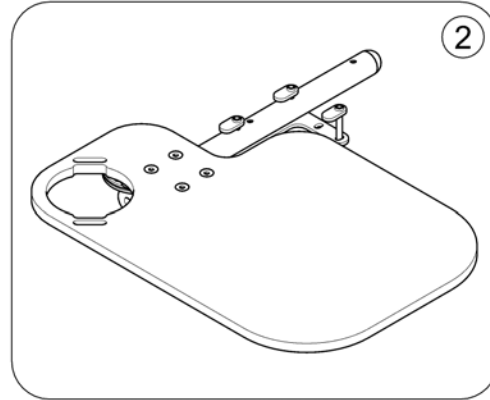
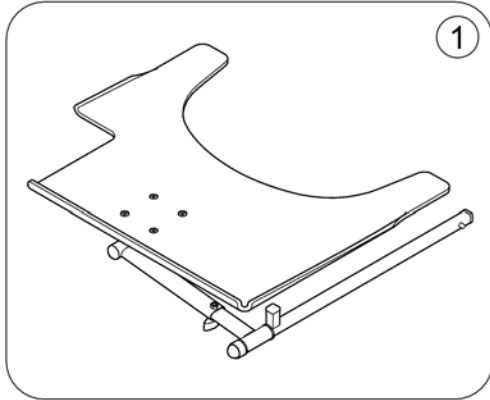
1567255.iso



Pos.	Part number	Description	Valid from → until	Qty
1	SP1543078	Caneholder, cpl.		1
2	SP1420493	Belt for caneholder		1

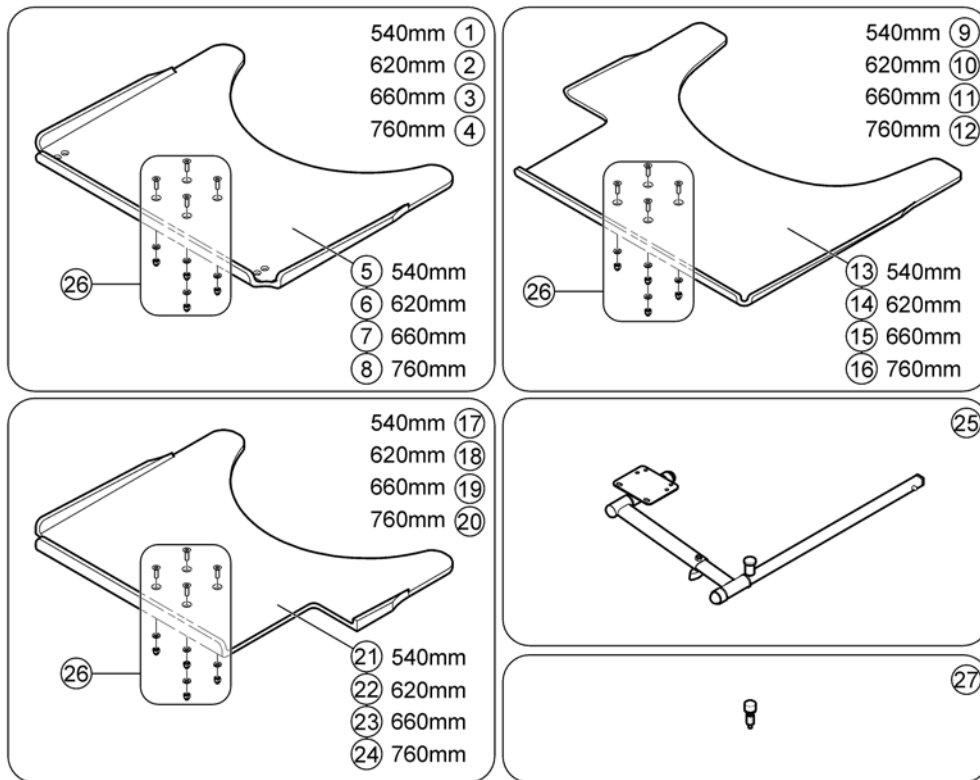
# Trays

158830 (en)



Pos.	Part number	Description	Valid from → until	Qty
1	-	Trays		1
2	-	Trays (Ultra Low Maxx Seat)		1

# Trays



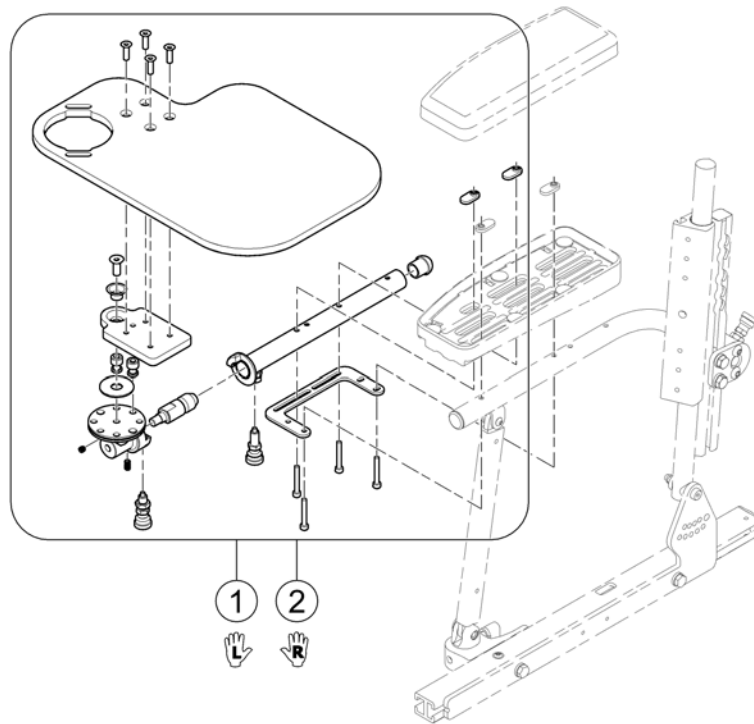
Pos.	Part number	Description	Valid from → until	Qty
1	SP1548198	Swing-Out Tray, 540mm, Seatwidth 330mm to 430mm, no Cutout, cpl. with holder		1
2	SP1548201	Swing-Out Tray, 620mm, Seatwidth 380mm to 480mm, no Cutout, cpl. with holder		1
3	SP1422954	Swing-Out Tray, 660mm, Seatwidth 430mm to 530mm, no Cutout, cpl. with holder		1
4	SP1584644	Swing-Out Tray, 760mm, Seatwidth 480mm to 580mm, no Cutout, cpl. with holder		1
5	SP1535050	Tray table, 540mm, no Cutout		1
6	SP1535010	Tray table, 620mm, no Cutout		1
7	SP1535011	Tray table, 660mm, no Cutout		1
8	SP1586049	Tray table, 760mm, no Cutout		1
9	SP1548138	Swing-Out Tray, 540mm, Seatwidth 330mm to 430mm, Cutout RH, cpl. with holder		1
10	SP1548199	Swing-Out Tray, 620mm, Seatwidth 380mm to 480mm, Cutout RH, cpl. with holder		1
11	SP1422953	Swing-Out Tray, 660mm, Seatwidth 430mm to 530mm, Cutout RH, cpl. with holder		1
12	SP1584663	Swing-Out Tray, 760mm, Seatwidth 480mm to 580mm, Cutout RH, cpl. with holder		1
13	SP1535051	Tray table, 540mm, Cutout RH		1
14	SP1535012	Tray table, 620mm, Cutout RH		1
15	SP1535049	Tray table, 660mm, Cutout RH		1
16	SP1586048	Tray table, 760mm, Cutout RH		1
17	SP1548197	Swing-Out Tray, 540mm, Seatwidth 330mm to 430mm, Cutout LH, cpl. with holder		1
18	SP1548200	Swing-Out Tray, 620mm, Seatwidth 380mm to 480mm, Cutout LH, cpl. with holder		1
19	SP1422952	Swing-Out Tray, 660mm, Seatwidth 430mm to 530mm, Cutout LH, cpl. with holder		1
20	SP1584662	Swing-Out Tray, 760mm, Seatwidth 480mm to 580mm, Cutout LH, cpl. with holder		1
21	SP1535009	Tray table, 540mm, Cutout LH		1
22	SP1534974	Tray table, 620mm, Cutout LH		1

**Trays**

<b>Pos.</b>	<b>Part number</b>	<b>Description</b>	<b>Valid from → until</b>	<b>Qty</b>
23	SP1534975	Tray table, 660mm, Cutout LH		1
24	SP1586047	Tray table, 760mm, Cutout LH		1
25	SPZ177011	Tray Support Fixing Kit cpl.SW 380/505 mm		1
26	Z177025	Fastening-Kit Tray		1
27	SP1590090	Table Bumper high version		1

## Trays (Ultra Low Maxx Seat)

1588507 Rev

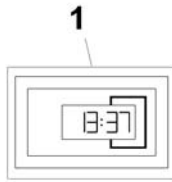


Pos.	Part number	Description	Valid from → until	Qty
1	SPTRC2065	Flip and fold away Tray LH		1
2	SPTRC2066	Flip and fold away Tray RH		1



# Hour Counter

1567259.iso



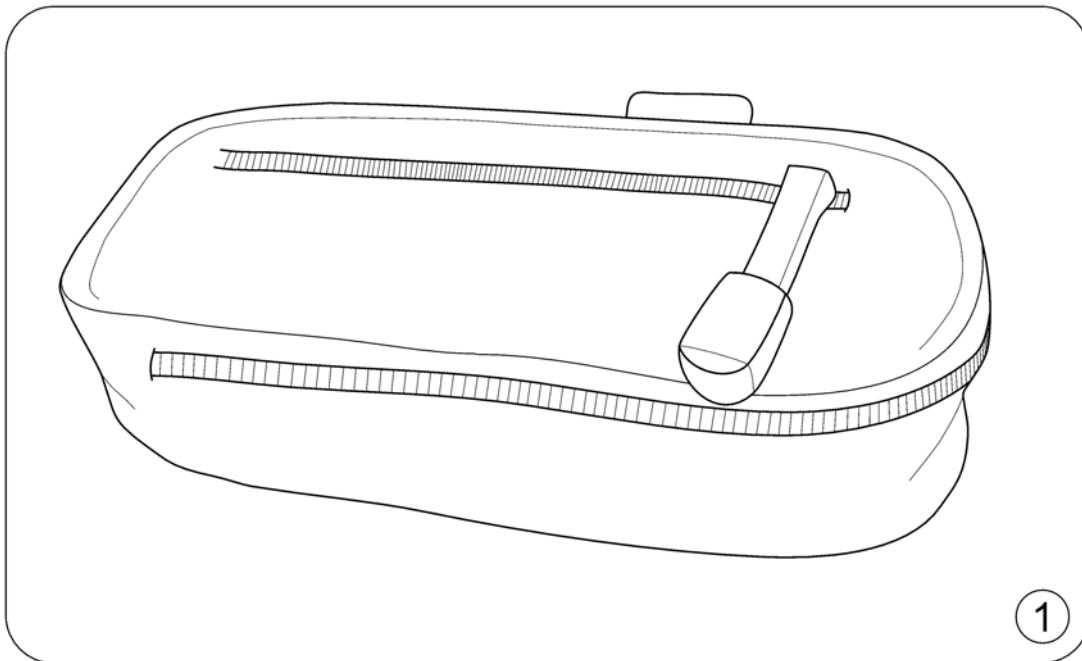
Pos.	Part number	Description	Valid from → until	Qty
1	SP1541531	Hour Counter		1

## KLICKfix® bag & brackets

Pos.	Part number	Description	Valid from → until	Qty
-		KLICKfix® bag		1
-		KLICKfix® bracket for T-Armrest		1
-		KLICKfix® bracket for Fixed Armrest		1
-		KLICKfix® bracket for Inrigged/Flip-Up/Following Armrest (Module) [1478/1479]		1

# KLICKfix® bag

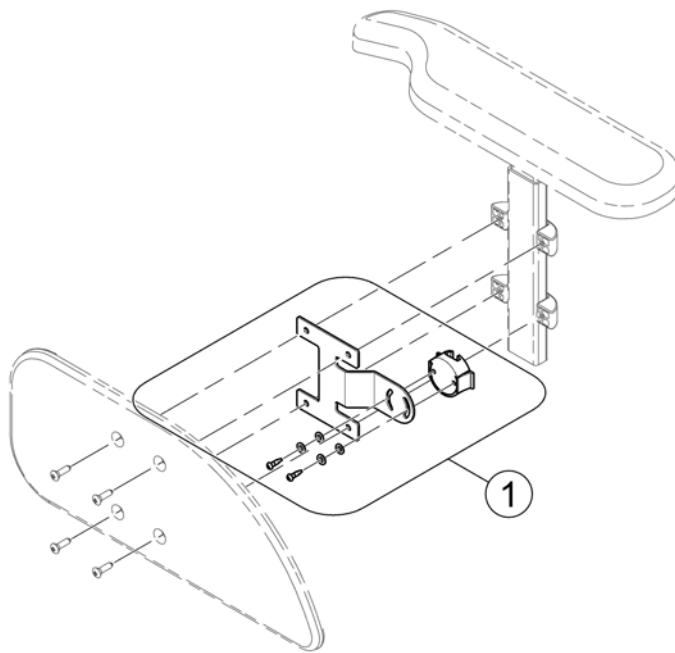
1562500 iso



Pos.	Part number	Description	Valid from → until	Qty
1	SP1557532	KLICKfix® bag		1

# KLICKfix® bracket for T-Armrest

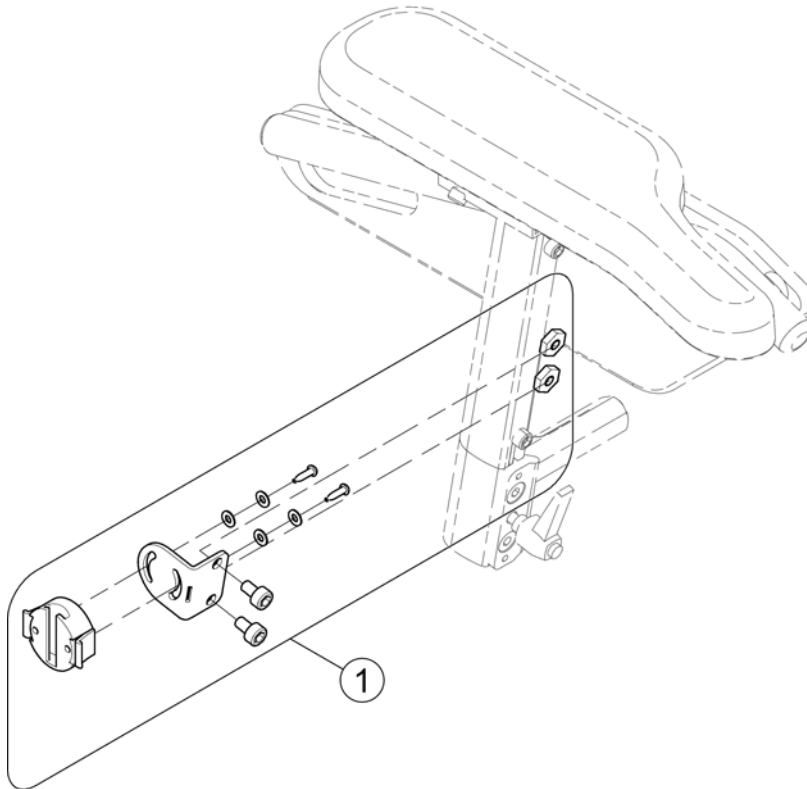
1571871 iso



Pos.	Part number	Description	Valid from → until	Qty
1	SP1571678	KLICKfix® bracket		1

# KLICKfix® bracket for Fixed Armrest

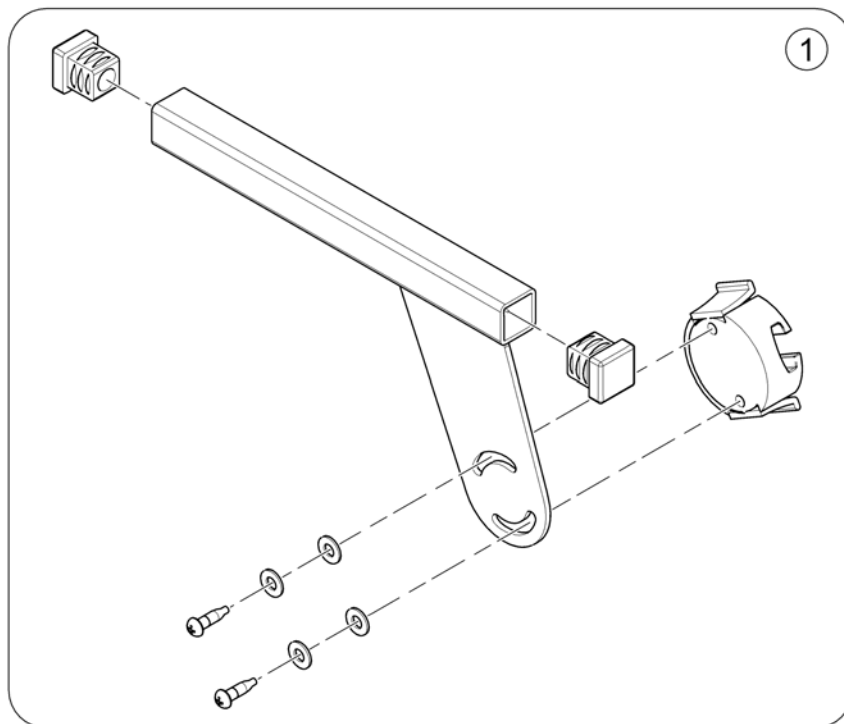
1562515.iss



Pos.	Part number	Description	Valid from → until	Qty
1	SP1554320	KLICKfix bracket		1

# KLICKfix® bracket for Inrigged/Flip-Up/Following Armrest (Modulite)

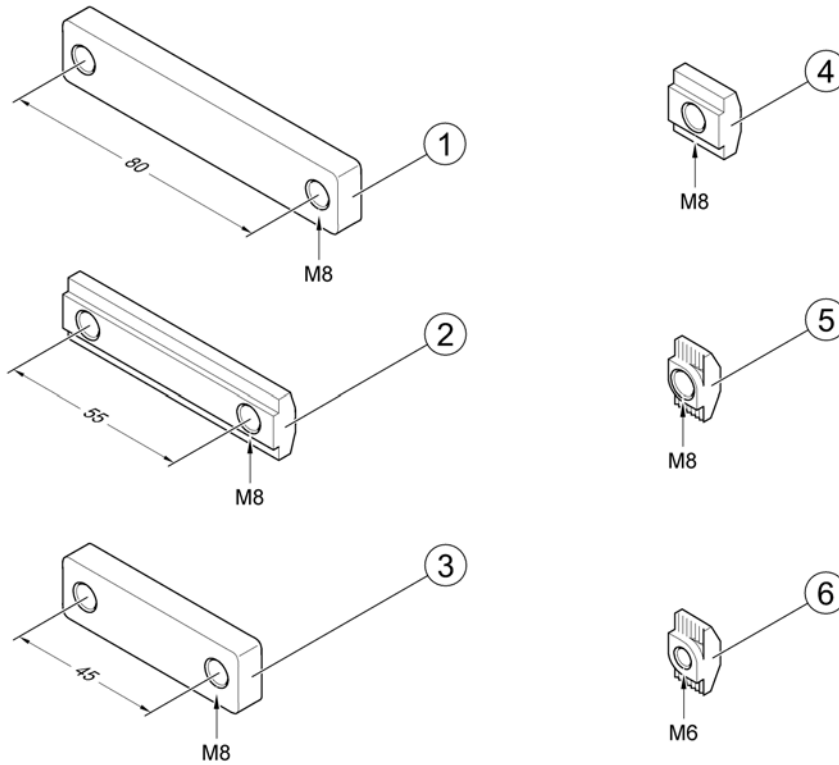
1580167 Rev



Pos.	Part number	Description	Valid from → until	Qty
1	SP1584497	KlickFix Bracket		1

## T-Nuts for Accessories Modulte Seat

157-4067 Rev



Pos.	Part number	Description	Valid from → until	Qty
1	SP1556401	T-Nut, hole distance 80mm, 2x M8		1
2	SP1572444	T-Nut, hole distance 55mm, 2x M8		1
3	SP1555168	T-Nut, hole distance 45mm, 2x M8		1
4	SP1557341	T-Nut, 1x M8		1
5	SP1573158	T-Nut, 1x M8		1
6	SP1573721	T-Nut, 1x M6		1



Yes, you can.®



---

**Belgium & Luxemburg:**

Invacare nv, Autobaan 22, B-8210 Loppem  
Tel: (32) (0)50 83 10 10, Fax: (32) (0)50 83 10 11  
belgium@invacare.com / www.invacare.be

**Denmark:**

Invacare A/S, Sdr. Ringvej 37, DK-2605 Brøndby  
Tel: (45) (0)36 90 00 00, Fax: (45) (0)36 90 00 01  
denmark@invacare.com / www.invacare.dk

**Deutschland:**

Invacare Aquatec GmbH, Alemannenstraße 10, D-88316 Isny  
Tel: (49) (0)75 62 7 00 0, Fax: (49) (0)75 62 7 00 66  
info@invacare-aquatec.com / www.invacare-aquatec.de

**European Distributor Organisation:**

Invacare, Kleiststraße 49, D-32457 Porta Westfalica  
Tel: (49) (0)57 31 754 540, Fax: (49) (0)57 31 754 541  
edo@invacare.com / www.invacare.eu.com

**España:**

Invacare SA, c/Areny s/n, Polígon Industrial de Celrà, E-17460 Celrà (Girona)  
Tel: (34) (0)972 49 32 00, Fax: (34) (0)972 49 32 20  
contactsp@invacare.com / www.invacare.es

**France:**

Invacare Poirier SAS, Route de St Roch, F-37230 Fondettes  
Tel: (33) (0)2 47 62 64 66, Fax: (33) (0)2 47 42 12 24  
contactfr@invacare.com / www.invacare.fr

**Ireland:**

Invacare Ireland Ltd, Unit 5 Seatown Business Campus, Seatown Road, Swords, County Dublin - Ireland  
Tel: (353) 1 810 7084, Fax: (353) 1 810 7085  
ireland@invacare.com / www.invacare.ie

**Italia:**

Invacare Mecc San s.r.l., Via dei Pini 62, I-36016 Thiene (VI)  
Tel: (39) 0445 38 00 59, Fax: (39) 0445 38 00 34  
italia@invacare.com / www.invacare.it

**Nederland:**

Invacare BV, Celsiusstraat 46, NL-6716 BZ Ede  
Tel: (31) (0)318 695 757, Fax: (31) (0)318 695 758  
nederland@invacare.com, csede@invacare.com / www.invacare.nl

**Norge:**

Invacare AS, Grensesvingen 9, Postboks 6230, Etterstad, N-0603 Oslo  
Tel: (47) (0)22 57 95 00, Fax: (47) (0)22 57 95 01  
norway@invacare.com, island@invacare.com / www.invacare.no

**Österreich:**

Invacare Austria GmbH, Herzog Odilostrasse 101, A-5310 Mondsee  
Tel: (43) 6232 5535 0, Fax: (43) 6232 5535 4  
info-austria@invacare.com / www.invacare.at

**Portugal:**

Invacare Lda, Rua Estrada Velha, 949, P-4465-784 Leça do Balio  
Tel: (351) (0)225 1059 46/47, Fax: (351) (0)225 1057 39  
portugal@invacare.com / www.invacare.pt

**Sverige & Suomi:**

Invacare AB, Fagerstagatan 9, S-163 91 Spånåsa  
Tel: (46) (0)8 761 70 90, Fax: (46) (0)8 761 81 08  
sweden@invacare.com, finland@invacare.com / www.invacare.se

**Switzerland:**

Invacare AG, Benkenstrasse 260, CH-4108 Witterswil  
Tel: (41) (0)61 487 70 80, Fax: (41) (0)61 487 70 81  
switzerland@invacare.com / www.invacare.ch

**United Kingdom:**

Invacare Limited, Pencoed Technology Park, Pencoed, Bridgend CF35 5AQ  
Switchboard Tel: (44) (0)1656 776200, Fax: (44) (0)1656 776201  
Customer services Tel: (44) (0)1656 776222, Fax: (44) (0)1656 776220  
uk@invacare.com / www.invacare.co.uk