

# *Spare Parts Catalogue*

---

Version: 2015/07/30b EN





**Yes, you can.®**

## **General Information**

*For any order of spare parts the following information is required:*

- Product type*
- Product name & model*
- Serial Number*
- Part-Number*
- Part-Description*

*Exploded view drawings and code numbers are not contractual and subject to modification, in relation to Invacare® continuous product improvement policy to meet end users needs.*

*The reproduction or use of this work, or of any substantial part of this work, in any form or by any electronic, mechanical or other means, including photocopying, scanning and recording, and in any information storage and retrieval system, including electronic transmission, is forbidden without the prior written permission of Invacare® International Sarl.*



Yes, you can.®

## TABLE OF CONTENTS

---

### Information & User Manuals

User Manuals Storm4Max .....	7
User Manuals REM550 .....	8
User Manuals REM24SD .....	9
User Manuals REM A & REM B .....	10
User Manuals G90 .....	11
User Manuals G91 .....	12
User Manuals REM34 & REM41 Tray/Centre Control .....	13
User Manuals IDC Dual Control .....	14
User Manuals Compact Dual Control .....	15
User Manuals ACS Handprogrammer .....	16
User Manual Proximity Head Remote DSL-105 .....	17

### Chassis

Shrouds .....	18
Shroud spring bracket/rear light .....	19
Transport fixation .....	20
Suspension .....	21
Front swingarm .....	22

### Seat

Seat column .....	23
Powered seat tilt .....	24
Manual seat tilt .....	25
Seat .....	26

### Backrest

Powered backrest adjustment .....	27
Manual backrest adjustment .....	28
Seat depth adapter .....	29
Backrest .....	30

### Legrests / Hangers

Calf plates .....	31
Legrest Support, Vari series, Flex2-/Max-Seat .....	32

### Footplates / Support tubes

Footboard .....	33
Fixed footboard .....	34

### Armrests

Armrests for Max Seat .....	35
-----------------------------	----

### Castors

Front wheels .....	36
--------------------	----

### Drive Wheels



Yes, you can.®

## TABLE OF CONTENTS

---

Drive Wheel 14" .....	37
<b>Propulsion</b>	
Motor with swingarm .....	38
Decoupling .....	39
<b>Electronic</b>	
Electronic .....	40
ACS Electronic Modules .....	41
Power modules ACS 2 .....	42
Power module holder / Gyro .....	43
ACT for ACS 2 .....	44
G-Trac-sensor .....	45
Light board .....	46
ACS Remote & Brackets .....	47
REM 24 SD with brackets .....	48
Remote REM 24SD .....	49
Remote Bracket Standard .....	50
Remote Bracket Swing away & height adjust. ....	51
Remote Bracket Attendant .....	52
REM A & B with brackets .....	53
Remote Bracket Standard .....	50
Remote Bracket Swing away & height adjust. ....	54
Remote Bracket Attendant .....	52
REM 550 with brackets .....	55
Remote Bracket Standard .....	50
Remote Bracket Swing away & height adjust. ....	51
Remote Bracket Attendant .....	52
REM 34 with brackets .....	56
Remote Bracket Standard .....	57
Remote Bracket Swing away & height adjust. ....	58
G90A with brackets .....	59
Remote Bracket Standard .....	60
Remote Bracket Swing away & height adjust. ....	61
Remote Bracket Attendant .....	62
G91S with brackets .....	63
Remote Bracket Standard .....	64
Small Chin Control with brackets .....	65
Small Chincontrol .....	66
Framework for chincontrol .....	67
Dual Control with brackets .....	68
Remote Bracket Dual Control .....	69
Compact Dual Control with brackets .....	70
Compact Dual Control .....	71
Bracket, Compact Dual Control - short .....	72
Bracket, Compact Dual Control - long .....	73
Intuitive Dual Control with brackets .....	74
ACS Cables & Accessories .....	75
Bus-Cables ACS .....	76
T-Adapter ACS .....	77
Slow-stop-sensor & Holder .....	78



Yes, you can.®

## TABLE OF CONTENTS

---

Programming Kits .....	79
Magnetkey for Remotes .....	80
<b>Cable, Charger &amp; Batteries</b>	
Batteries .....	81
Chargers .....	82
Battery support .....	83
Bus-Cables ACS .....	76
<b>Safety Options &amp; Accessories</b>	
LED-Frontlight .....	84
LED-Rearlight .....	85
Lap Belts / H-Belt .....	86
Rearview Mirror .....	87
<b>Seat Accessories</b>	
Headrest & Bracket .....	88
Headrest with cheek support .....	89
Headrest, sidewise adjustable .....	90
<b>Accessories</b>	
Cane holder (MAX Seat) .....	91
Fender for Drive Wheel .....	92
km-Counter & Bumper .....	93
Mounting-kit km-Counter .....	94
Hour Counter .....	95
KLICKfix® bag .....	96
KLICKfix® bracket for Fixed Armrest .....	97
Bag .....	98
Toolkit .....	99



## User Manuals Storm4Max

languages.io

BG	Български	FR	Français	NL	Nederlands	SV	Svenska
CS	Čeština	HE	עברית	NO	Norsk	UK	Українська
DA	Dansk	HR	Hrvatski	PL	Polski		
DE	Deutsch	HU	Magyar	PT	Português		
EN	English	IT	Italiano	RU	Русский		
ES	Español	JA	日本語	RO	Română		
ET	Eesti	LV	Latviešu	SK	Slovenčina		
FI	Suomi	LT	Lietuvių	SL	Slovenščina		

Pos.	Part number	Description	Valid from → until	Qty
	DA SP1547066	User Manual Storm4Max Danish		1
	DE SP1547065	User Manual Storm4Max German		1
	EN SP1547067	User Manual Storm4Max English		1
	ES SP1547068	User Manual Storm4Max Spanish		1
	FR SP1547069	User Manual Storm4Max French		1
	IT SP1547070	User Manual Storm4Max Italian		1
	NL SP1547071	User Manual Storm4Max Dutch		1
	NO SP1581785	User Manual Storm4Max Norwegian		1
	PT SP1572569	User Manual Storm4 Max Portuguese		1
	SV SP1547072	User Manual Storm4Max Swedish		1

## User Manuals REM550

languages.io

BG	Български	FR	Français	NL	Nederlands	SV	Svenska
CS	Čeština	HE	עברית	NO	Norsk	UK	Українська
DA	Dansk	HR	Hrvatski	PL	Polski		
DE	Deutsch	HU	Magyar	PT	Português		
EN	English	IT	Italiano	RU	Русский		
ES	Español	JA	日本語	RO	Română		
ET	Eesti	LV	Latviešu	SK	Slovenčina		
FI	Suomi	LT	Lietuvių	SL	Slovenščina		

Pos.	Part number	Description	Valid from → until	Qty
	DA 1528088	User Manual REM550 Danish		1
	DE 1528089	User Manual REM550 German		1
	EN 1528090	User Manual REM550 English		1
	ES 1528091	User Manual REM550 Spanish		1
	FI 1528092	User Manual REM550 Finsk		1
	FR 1528093	User Manual REM550 French		1
	IT 1528094	User Manual REM550 Italiano		1
	NL 1528095	User Manual REM550 Dutch		1
	NO 1528096	User Manual REM550 Norsk		1
	PT 1528097	User Manual REM550 Portuguese		1
	SV 1528098	User Manual REM550 Swedish		1
	HR SP1533279	User Manual REM550 Croatian		1
	CS SP1533280	User Manual REM551 Czech		1
	ET SP1533281	User Manual REM552 Estonian		1
	HU SP1533282	User Manual REM553 Hungarian		1
	LT SP1533283	User Manual REM554 Lithuanian		1
	PL SP1533284	User Manual REM555 Polish		1
	SL SP1533285	User Manual REM556 Slovenian		1



## User Manuals REM24SD

languages.io

BG	Български	FR	Français	NL	Nederlands	SV	Svenska
CS	Čeština	HE	עברית	NO	Norsk	UK	Українська
DA	Dansk	HR	Hrvatski	PL	Polski		
DE	Deutsch	HU	Magyar	PT	Português		
EN	English	IT	Italiano	RU	Русский		
ES	Español	JA	日本語	RO	Română		
ET	Eesti	LV	Latviešu	SK	Slovenčina		
FI	Suomi	LT	Lietuvių	SL	Slovenščina		

Pos.	Part number	Description	Valid from → until	Qty
	DE 1436142	User Manual REM24SD German		1
	FR 1436143	User Manual REM24SD French		1
	EN 1436144	User Manual REM24SD English		1
	SV 1436145	User Manual REM24SD Swedish		1
	DA 1436146	User Manual REM24SD Danish		1
	NO 1436147	User Manual REM24SD Norwegian		1
	NL 1436148	User Manual REM24SD Dutch		1
	ES 1436149	User Manual REM24SD Spanish		1
	PT 1436150	User Manual REM24SD Portuguese		1
	IT 1436385	User Manual REM24SD Italian		1
	FI 1436386	User Manual REM24SD Finnish		1
	HR SP1533251	User Manual REM24SD Croatian		1
	CS SP1533252	User Manual REM24SD Czech		1
	ET SP1533253	User Manual REM24SD Estonian		1
	HU SP1533254	User Manual REM24SD Hungarian		1
	LT SP1533255	User Manual REM24SD Lithuanian		1
	PL SP1533256	User Manual REM24SD Polish		1
	SL SP1533257	User Manual REM24SD Slovenian		1
	LV SP1543152	User Manual REM24SD Latvian		1

## User Manuals REM A & REM B

languages.io

BG	Български	FR	Français	NL	Nederlands	SV	Svenska
CS	Čeština	HE	עברית	NO	Norsk	UK	Українська
DA	Dansk	HR	Hrvatski	PL	Polski		
DE	Deutsch	HU	Magyar	PT	Português		
EN	English	IT	Italiano	RU	Русский		
ES	Español	JA	日本語	RO	Română		
ET	Eesti	LV	Latviešu	SK	Slovenčina		
FI	Suomi	LT	Lietuvių	SL	Slovenščina		

Pos.	Part number	Description	Valid from → until	Qty
	DA 1529171	User Manual REM A & B Dansk		1
	DE 1529172	User Manual REM A & B German		1
	EN 1529173	User Manual REM A & B English		1
	ES 1529174	User Manual REM A & B Spanish		1
	FI 1529228	User Manual REM A & B Finsk		1
	FR 1529229	User Manual REM A & B French		1
	IT 1529230	User Manual REM A & B Italian		1
	NL 1529231	User Manual REM A & B Dutch		1
	NO 1529232	User Manual REM A & B Norsk		1
	PT 1529233	User Manual REM A & B Portuguese		1
	SV 1529234	User Manual REM A & B Swedish		1
	HR SP1533258	User Manual REM A & B Croatian		1
	CS SP1533259	User Manual REM A & B Czech		1
	ET SP1533265	User Manual REM A & B Estonian		1
	HU SP1533266	User Manual REM A & B Hungarian		1
	LT SP1533267	User Manual REM A & B Lithuanian		1
	PL SP1533268	User Manual REM A & B Polish		1
	SL SP1533269	User Manual REM A & B Slovenian		1
	RO SP1533270	User Manual REM A & B Romanian		1

# User Manuals G90

languages.io

BG	Български	FR	Français	NL	Nederlands	SV	Svenska
CS	Čeština	HE	עברית	NO	Norsk	UK	Українська
DA	Dansk	HR	Hrvatski	PL	Polski		
DE	Deutsch	HU	Magyar	PT	Português		
EN	English	IT	Italiano	RU	Русский		
ES	Español	JA	日本語	RO	Română		
ET	Eesti	LV	Latviešu	SK	Slovenčina		
FI	Suomi	LT	Lietuvių	SL	Slovenščina		

Pos.	Part number	Description	Valid from → until	Qty
EN	1523674	User Manual G90 English		1

# User Manuals G91

languages.io

BG	Български	FR	Français	NL	Nederlands	SV	Svenska
CS	Čeština	HE	עברית	NO	Norsk	UK	Українська
DA	Dansk	HR	Hrvatski	PL	Polski		
DE	Deutsch	HU	Magyar	PT	Português		
EN	English	IT	Italiano	RU	Русский		
ES	Español	JA	日本語	RO	Română		
ET	Eesti	LV	Latviešu	SK	Slovenčina		
FI	Suomi	LT	Lietuvių	SL	Slovenščina		

Pos.	Part number	Description	Valid from → until	Qty
	DE 1536441	User Manual G91 German		1
	DA 1537929	User Manual G91 Danish		1
	NL 1537930	User Manual G91 Dutch		1
	EN 1537931	User Manual G91 English		1
	FI 1537932	User Manual G91 Finnish		1
	FR 1537933	User Manual G91 French		1
	IT 1537934	User Manual G91 Italian		1
	NO 1537935	User Manual G91 Norwegian		1
	PT 1537936	User Manual G91 Portuguese		1
	ES 1537937	User Manual G91 Spanish		1
	SV 1537938	User Manual G91 Swedish		1

## User Manuals REM34 &amp; REM41 Tray/Centre Control

languages.io

BG	Български	FR	Français	NL	Nederlands	SV	Svenska
CS	Čeština	HE	עברית	NO	Norsk	UK	Українська
DA	Dansk	HR	Hrvatski	PL	Polski		
DE	Deutsch	HU	Magyar	PT	Português		
EN	English	IT	Italiano	RU	Русский		
ES	Español	JA	日本語	RO	Română		
ET	Eesti	LV	Latviešu	SK	Slovenčina		
FI	Suomi	LT	Lietuvių	SL	Slovenščina		

Pos.	Part number	Description	Valid from → until	Qty
DA	SP1538022	User Manual REM41 Tray Control Danish		1
EN	SP1538023	User Manual REM41 Tray Control English		1
ES	SP1538024	User Manual REM41 Tray Control Spanish		1
FR	SP1538025	User Manual REM41 Tray Control French		1
IT	SP1538026	User Manual REM41 Tray Control Italian		1
NL	SP1538027	User Manual REM41 Tray Control Dutch		1
NO	SP1538028	User Manual REM41 Tray Control Norwegian		1
PT	SP1538029	User Manual REM41 Tray Control Portuguese		1
SV	SP1538030	User Manual REM41 Tray Control Swedish		1
CS	SP1538031	User Manual REM41 Tray Control Czech		1
SL	SP1538032	User Manual REM41 Tray Control Slovenian		1
DE	SP1541402	User Manual REM41 Tray Control German		1

## User Manuals IDC Dual Control

languages.io

BG	Български	FR	Français	NL	Nederlands	SV	Svenska
CS	Čeština	HE	עברית	NO	Norsk	UK	Українська
DA	Dansk	HR	Hrvatski	PL	Polski		
DE	Deutsch	HU	Magyar	PT	Português		
EN	English	IT	Italiano	RU	Русский		
ES	Español	JA	日本語	RO	Română		
ET	Eesti	LV	Latviešu	SK	Slovenčina		
FI	Suomi	LT	Lietuvių	SL	Slovenščina		

Pos.	Part number	Description	Valid from → until	Qty
	DE 1521480	User Manual Dual-Control German		1
	EN 1521481	User Manual Dual-Control English		1
	FR 1521482	User Manual Dual-Control French		1
	NL 1521483	User Manual Dual-Control Dutch		1
	NO 1521484	User Manual Dual-Control Norwegian		1
	SV 1521485	User Manual Dual-Control Swedish		1
	DA 1521486	User Manual Dual-Control Danish		1
	IT 1522252	User Manual Dual-Control Italian		1
	PT 1522254	User Manual Dual-Control Portuguese		1
	ES 1522255	User Manual Dual-Control Spanish		1

# User Manuals Compact Dual Control

languages.io

BG	Български	FR	Français	NL	Nederlands	SV	Svenska
CS	Čeština	HE	עברית	NO	Norsk	UK	Українська
DA	Dansk	HR	Hrvatski	PL	Polski		
DE	Deutsch	HU	Magyar	PT	Português		
EN	English	IT	Italiano	RU	Русский		
ES	Español	JA	日本語	RO	Română		
ET	Eesti	LV	Latviešu	SK	Slovenčina		
FI	Suomi	LT	Lietuvių	SL	Slovenščina		

Pos.	Part number	Description	Valid from → until	Qty
BG	SP1589186	User Manual Compact Dual Control - Bulgarian		1
CS	SP1589313	User Manual Compact Dual Control - Czech		1
DA	SP1588488	User Manual Compact Dual Control - Danish		1
DE	SP1588489	User Manual Compact Dual Control - German		1
EN	SP1588462	User Manual Compact Dual Control - English		1
ES	SP1588496	User Manual Compact Dual Control - Spanish		1
ET	SP1589311	User Manual Compact Dual Control - Estonian		1
FI	SP1588490	User Manual Compact Dual Control - Finnish		1
FR	SP1588491	User Manual Compact Dual Control - French		1
HR	SP1589314	User Manual Compact Dual Control - Croatian		1
HU	SP1589315	User Manual Compact Dual Control - Hungarian		1
IT	SP1588492	User Manual Compact Dual Control - Italian		1
LV	SP1589317	User Manual Compact Dual Control - Latvian		1
LT	SP1589316	User Manual Compact Dual Control - Lithuanian		1
NL	SP1588493	User Manual Compact Dual Control - Dutch		1
NO	SP1588494	User Manual Compact Dual Control - Norwegian		1
PL	SP1589318	User Manual Compact Dual Control - Polish		1
PT	SP1588495	User Manual Compact Dual Control - Portuguese		1
RU	SP1589320	User Manual Compact Dual Control - Russian		1
RO	SP1589319	User Manual Compact Dual Control - Romanian		1
SK	SP1589321	User Manual Compact Dual Control - Slovak		1
SL	SP1589322	User Manual Compact Dual Control - Slovenian		1
SV	SP1588497	User Manual Compact Dual Control - Swedish		1
UK	SP1589323	User Manual Compact Dual Control - Ukrainian		1

# User Manuals ACS Handprogrammer

languages.io

BG	Български	FR	Français	NL	Nederlands	SV	Svenska
CS	Čeština	HE	עברית	NO	Norsk	UK	Українська
DA	Dansk	HR	Hrvatski	PL	Polski		
DE	Deutsch	HU	Magyar	PT	Português		
EN	English	IT	Italiano	RU	Русский		
ES	Español	JA	日本語	RO	Română		
ET	Eesti	LV	Latviešu	SK	Slovenčina		
FI	Suomi	LT	Lietuvių	SL	Slovenščina		

Pos.	Part number	Description	Valid from → until	Qty
DE	1419316	User Manual Handheld Programmer German		1
EN	1419317	User Manual Handheld Programmer English		1



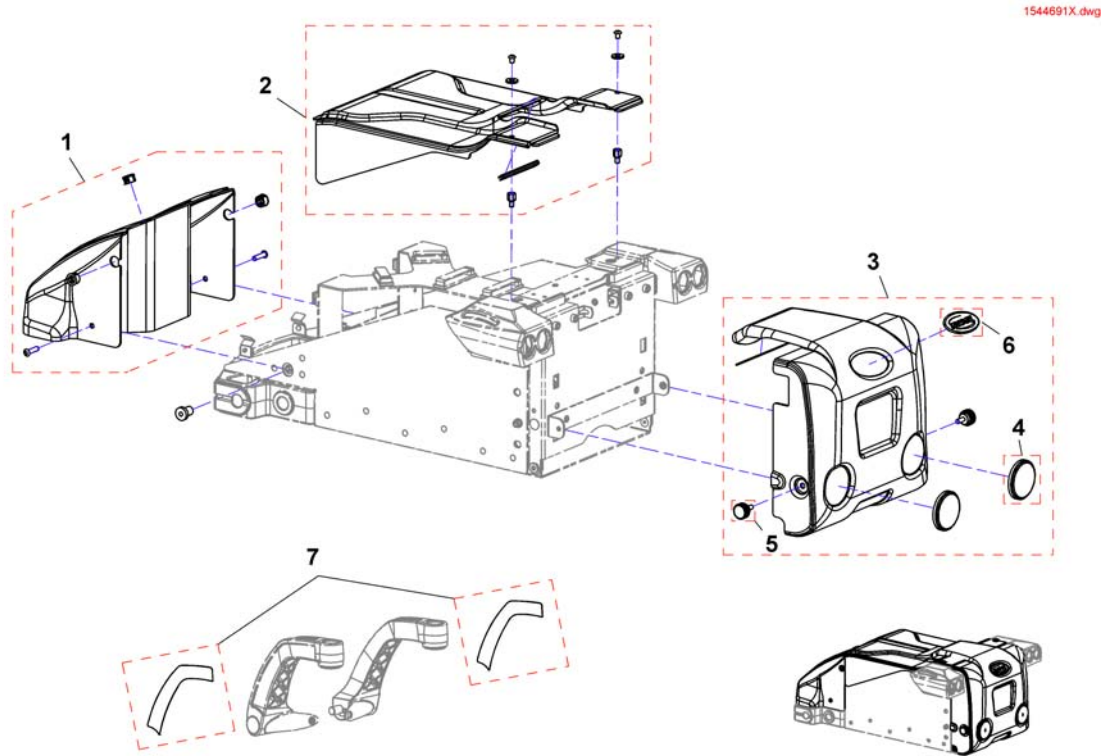
# User Manual Proximity Head Remote DSL-105

languages.io

BG	Български	FR	Français	NL	Nederlands	SV	Svenska
CS	Čeština	HE	עברית	NO	Norsk	UK	Українська
DA	Dansk	HR	Hrvatski	PL	Polski		
DE	Deutsch	HU	Magyar	PT	Português		
EN	English	IT	Italiano	RU	Русский		
ES	Español	JA	日本語	RO	Română		
ET	Eesti	LV	Latviešu	SK	Slovenčina		
FI	Suomi	LT	Lietuvių	SL	Slovenščina		

Pos.	Part number	Description	Valid from → until	Qty
EN	SP1555731	User Manual Proximity Head Remote DSL-105 English		1
DE	SP1555732	User Manual Proximity Head Remote DSL-105 German		1
FR	SP1555733	User Manual Proximity Head Remote DSL-105 French		1
DA	SP1555839	User Manual Proximity Head Remote DSL-105 Danish		1
ES	SP1555840	User Manual Proximity Head Remote DSL-105 Spanish		1
FI	SP1555841	User Manual Proximity Head Remote DSL-105 Finnish		1
IT	SP1555842	User Manual Proximity Head Remote DSL-105 Italian		1
NL	SP1555843	User Manual Proximity Head Remote DSL-105 Dutch		1
NO	SP1555844	User Manual Proximity Head Remote DSL-105 Norwegian		1
PT	SP1555845	User Manual Proximity Head Remote DSL-105 Portuguese		1
SV	SP1555846	User Manual Proximity Head Remote DSL-105 Swedish		1

# Shrouds

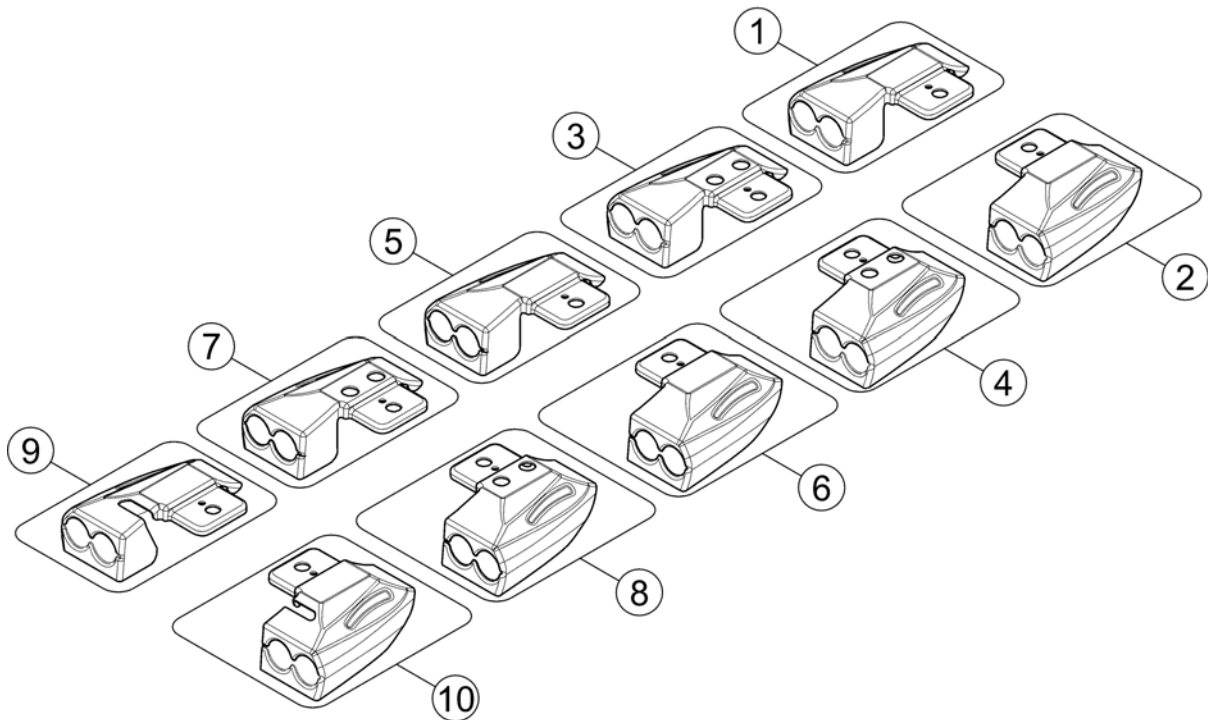


1544691X.dwg

Pos.	Part number	Description	Valid from → until	Qty
	SP1553166	Touch-up paint, RAL 5026 Blue		1
	SP1553148	Touch-up paint, RAL 9005 Black		1
	SP1553167	Touch-up paint, Champagne		1
	SP1553169	Touch-up paint, Red		1
	SP1553168	Touch-up paint, RAL 9016 White		1
	SP1553210	Touch-up paint, RAL 6003 Green		1
	SP1553211	Touch-up paint, RAL 9006 White aluminium		1
1	SP1530339	Front shroud, cpl., Blue (RAL 5026)		1
1	SP1530340	Front shroud, cpl., Black (RAL 9005)		1
1	SP1530341	Front shroud, cpl., Champagne		1
1	SP1530342	Front shroud, cpl., Red		1
1	SP1530343	Front shroud, cpl., White (RAL 9016)		1
1	SP1530344	Front shroud, cpl., Green (RAL 6003)		1
2	SP1546754	Middle shroud, White (RAL 9006)		1
3	SP1530346	Rear shroud, cpl., Blue (RAL 5026)		1
3	SP1530347	Rear shroud, cpl., Black (RAL 9005)		1
3	SP1530348	Rear shroud, cpl., Champagne		1
3	SP1530427	Rear shroud, cpl., Red		1
3	SP1530428	Rear shroud, cpl., White (RAL 9016)		1
3	SP1530429	Rear shroud, cpl., Green (RAL 6003)		1
4	1419274	Reflector round, red		1
5	1440769	Hand wheel		1
6	0572-06266	Invacare logo		1
7	SP1522428	Decal-Kit Blue (RAL 5026)		1
7	SP1523651	Decal-Kit Black (RAL 9005)		1
7	SP1529145	Decal-Kit Champagne		1
7	SP1529393	Decal-Kit Red (RAL 3007)		1
7	SP1529395	Decal-Kit White (RAL 9016)		1

# Shroud spring bracket/rear light

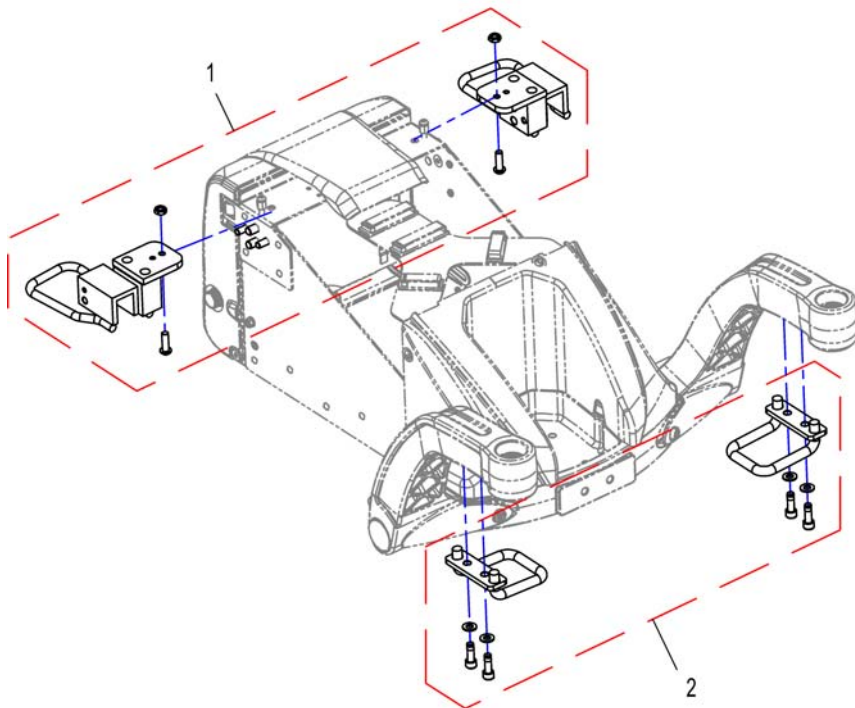
1528810X.iso



Pos.	Part number	Description	Valid from → until	Qty
1	SP1528810	Shroud for spring bracket without light LH		1
2	SP1528811	Shroud for spring bracket without light RH		1
3	SP1552927	Shroud for spring bracket, with baggage carrier, without light, LH		1
4	SP1552928	Shroud for spring bracket, with baggage carrier, without light, RH		1
5	SP1527836	Shroud for spring bracket for LED-rearlight LH		1
6	SP1527835	Shroud for spring bracket for LED-rearlight RH		1
7	SP1552929	Shroud for spring bracket, with baggage carrier, for LED-rearlight, LH		1
8	SP1552930	Shroud for spring bracket, with baggage carrier, for LED-rearlight, RH		1
9	SP1528627	Shroud for spring bracket for rearlight Germany, LH		1
10	SP1528626	Shroud for spring bracket for rearlight Germany, RH		1

# Transport fixation

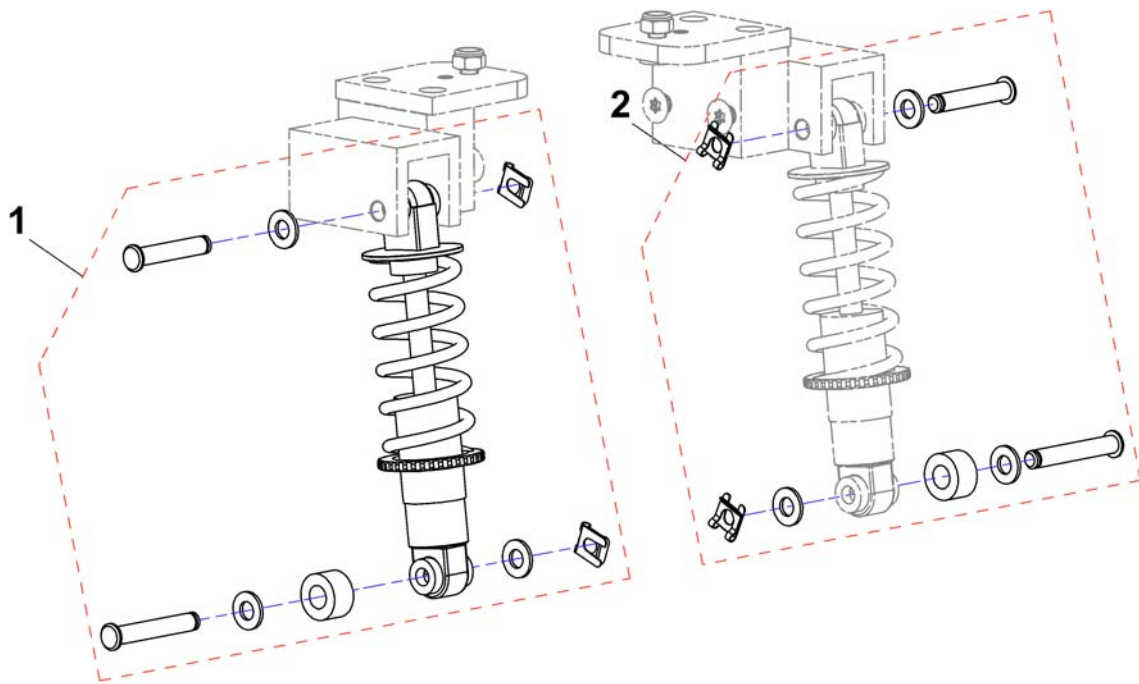
1528974X.dwg



Pos.	Part number	Description	Valid from → until	Qty
1	SP1563104	Transport fixation rear <i>not for passenger transportation</i>		1
2	SP1528974	Transport fixation, front <i>not for passenger transportation</i>		1

# Suspension

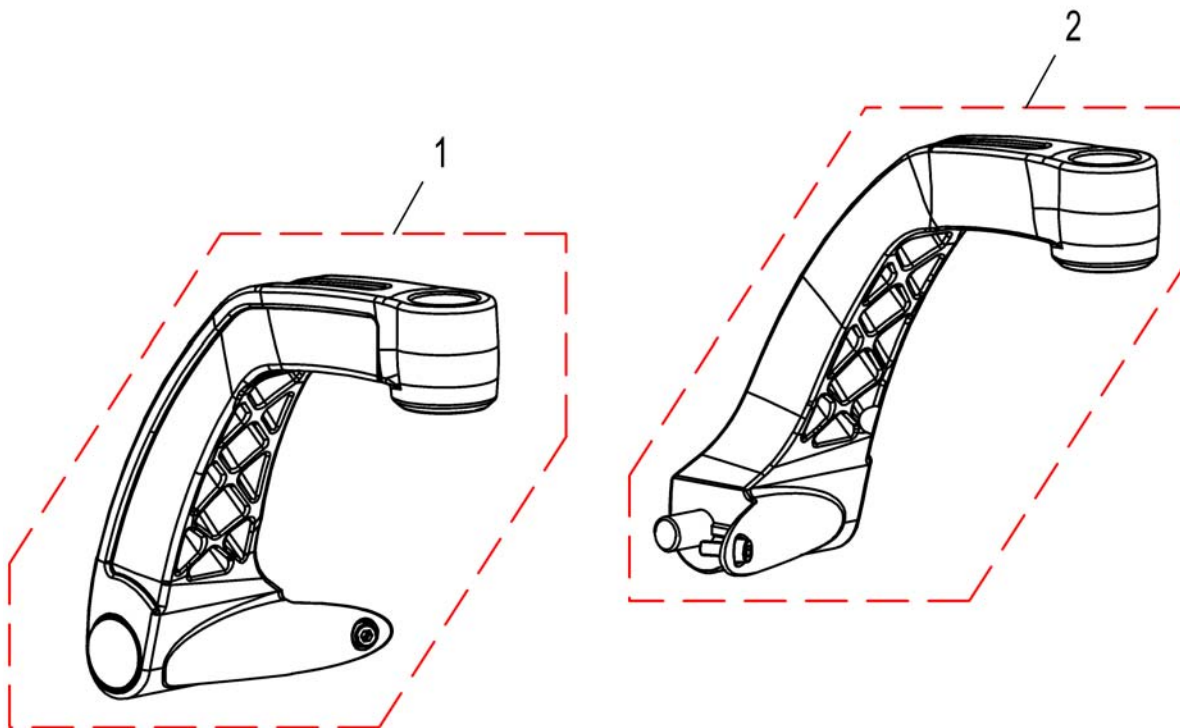
1544714X.dwg



Pos.	Part number	Description	Valid from → until	Qty
1	SP1544714	Shock absorber, cpl.		1
2	SP1530444	Mounting-Kit		1

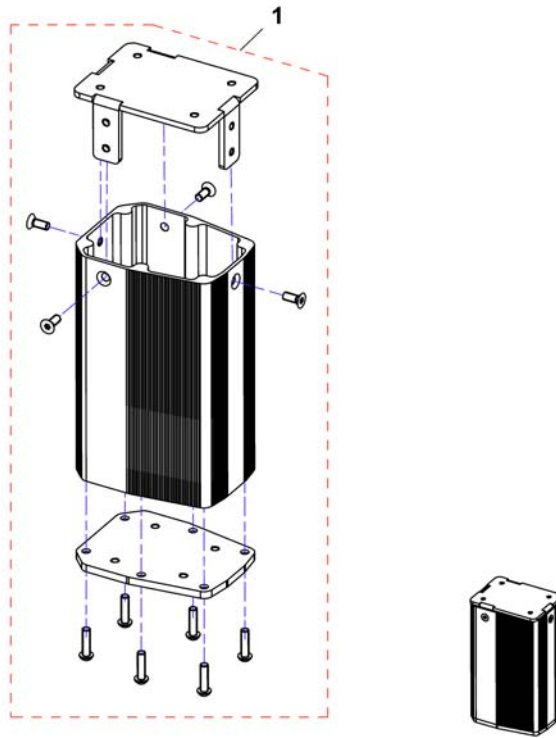
# Front swingarm

1534968.dwg



Pos.	Part number	Description	Valid from → until	Qty
1	SP1527905	Swingarm RH		1
2	SP1527904	Swingarm LH		1

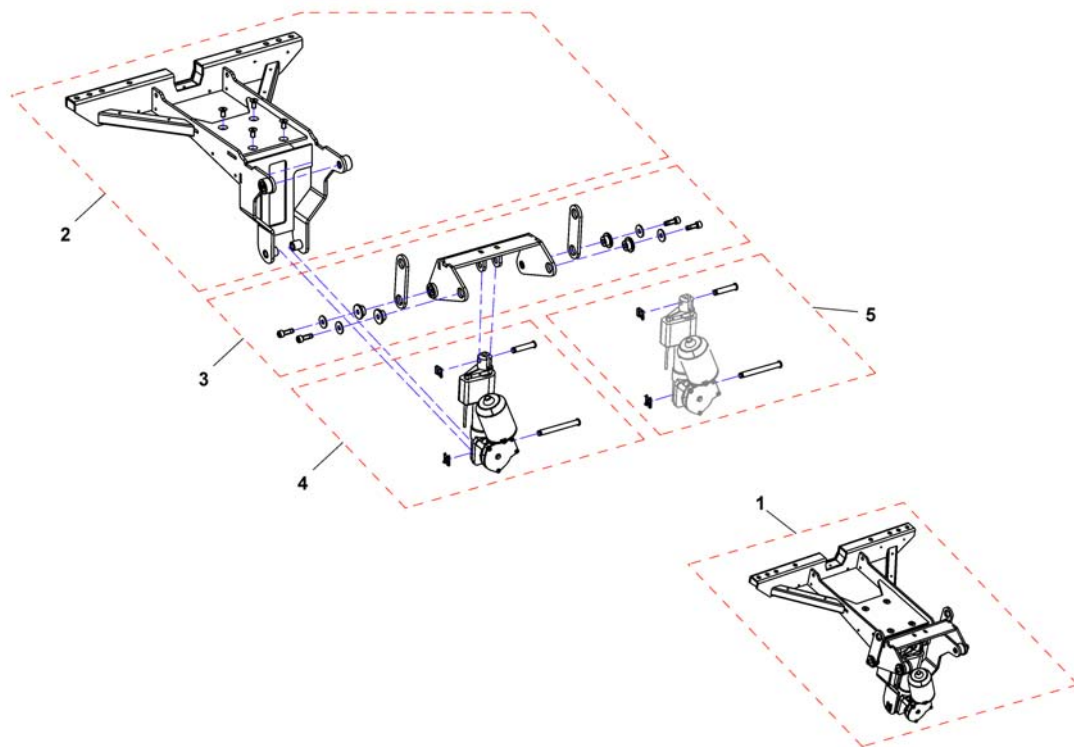
1542985.dwg



Pos.	Part number	Description	Valid from → until	Qty
1	SP1542985	Seat column		1

## Powered seat tilt

154302x.dwg

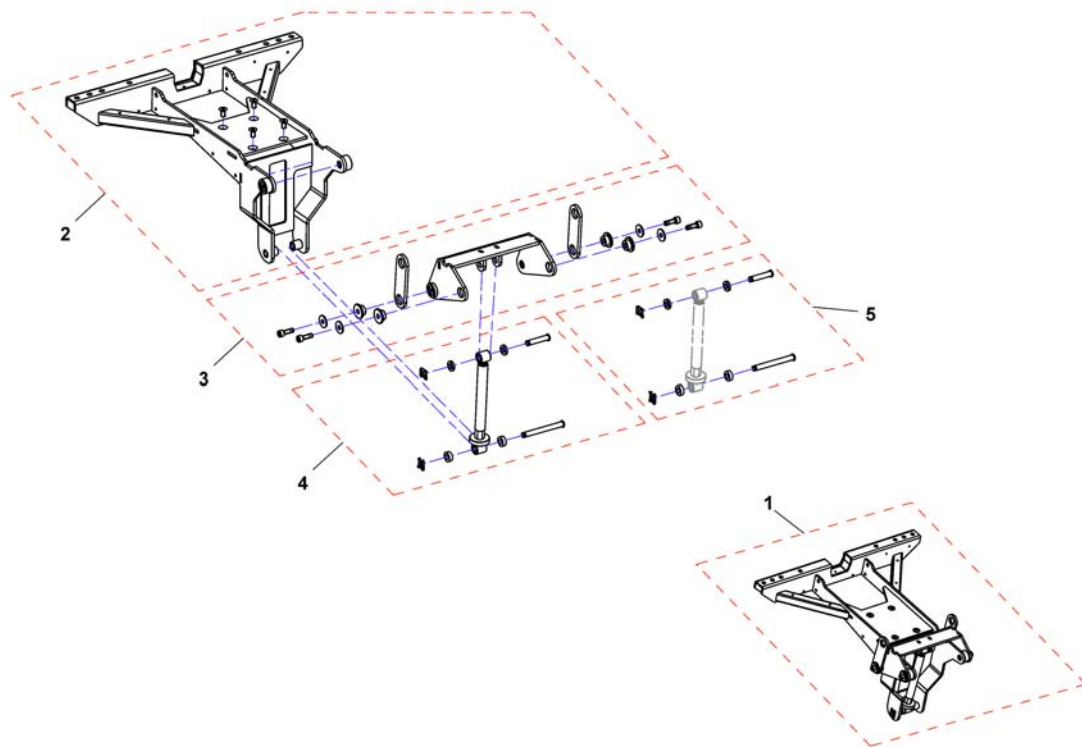


Pos.	Part number	Description	Valid from → until	Qty
1	SP1543092	Powered seat tilt		1
2	SP1536630	Tilt support		1
3	SP1536646	Tilt carrier		1
4	SP1563175	Motor for powered tilt, cpl.		1
5	SP1532481	Mounting-Kit for powered tilt		1



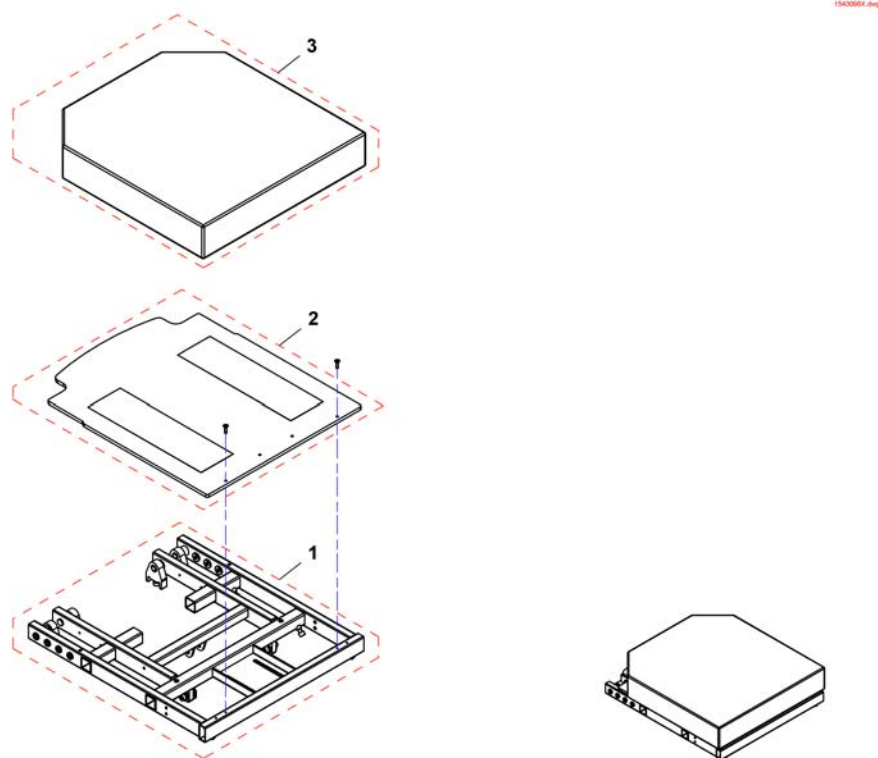
## Manual seat tilt

1544715r.dwg



Pos.	Part number	Description	Valid from → until	Qty
1	SP1544715	Manual seat tilt		1
2	SP1536630	Tilt support		1
3	SP1536646	Tilt carrier		1
4	SP1551010	Tilt spindle, cpl.		1
5	SP1551009	Mounting-Kit		1

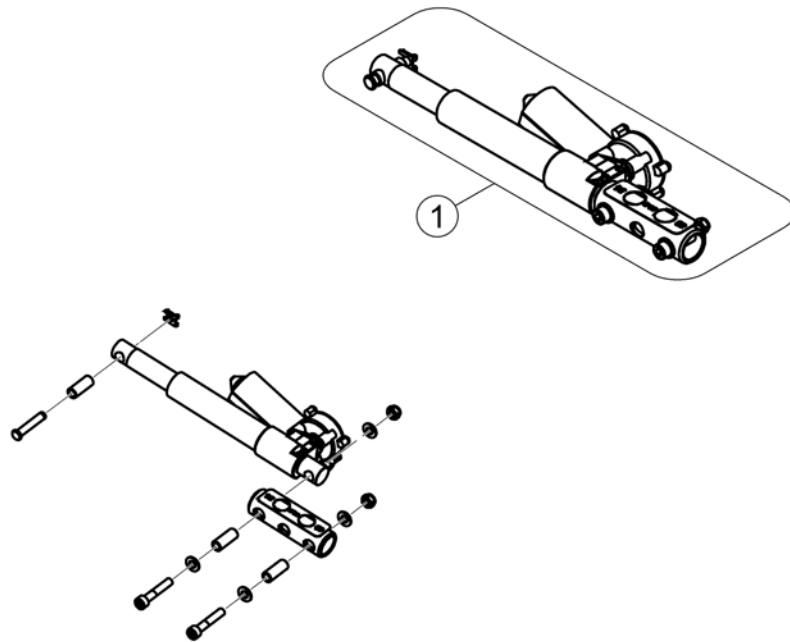
# Seat



Pos.	Part number	Description	Valid from → until	Qty
1	SP1543098	Seat assembly, SW49		1
1	SP1543099	Seat assembly, SW55		1
1	SP1543100	Seat assembly, SW61		1
2	SP1508137	Seat plate SW 490mm		1
2	SP1525083	Seat plate SW 550mm		1
2	SP1525082	Seat plate SW 610mm		1
3	SP1508059	Seat cushion 505x535, TR23		1
3	SP1536595	Seat cushion 550 x 635, TR23		1
3	SP1536596	Seat cushion 610x635, TR23		1

# Powered backrest adjustment

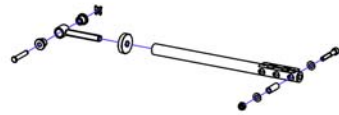
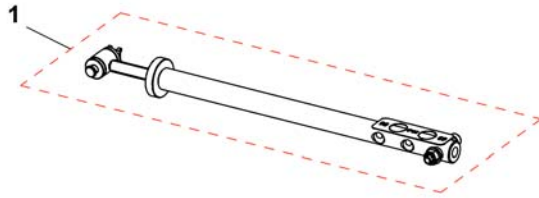
1544669X.00



Pos.	Part number	Description	Valid from → until	Qty
1	SP1544669	Actuator, cpl.		1

# Manual backrest adjustment

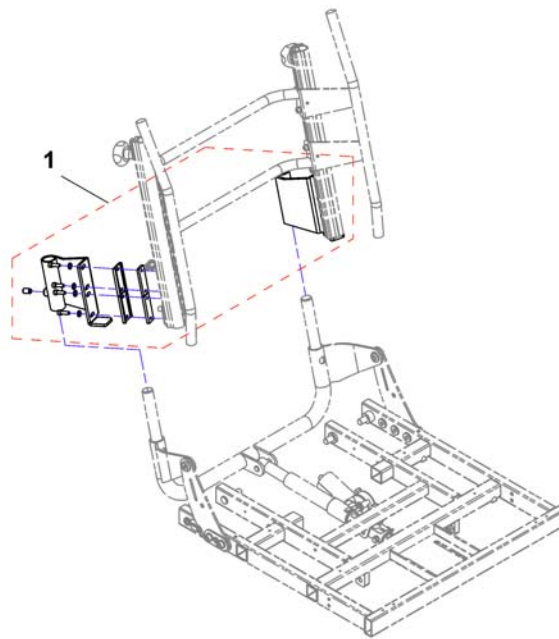
1545185.jpg



Pos.	Part number	Description	Valid from → until	Qty
1	SP1545185	Spindle, backrest adjustment, cpl.		1

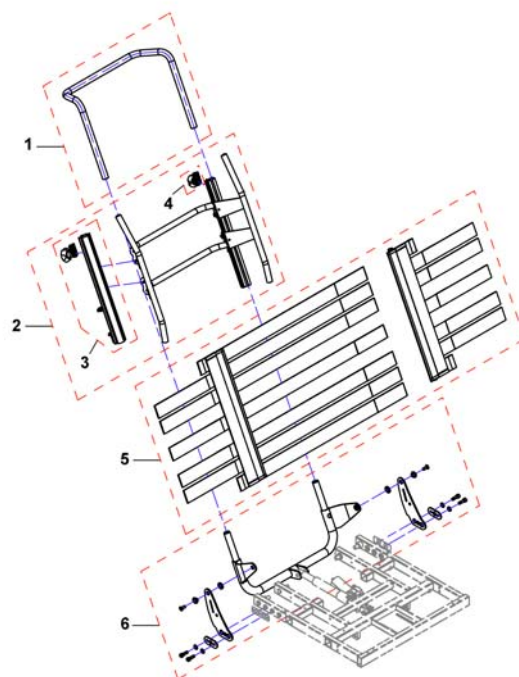
# Seat depth adapter

1551724K.dwg



Pos.	Part number	Description	Valid from → until	Qty
1	SP1551724	Seat depth adapter, cpl.		1

# Backrest

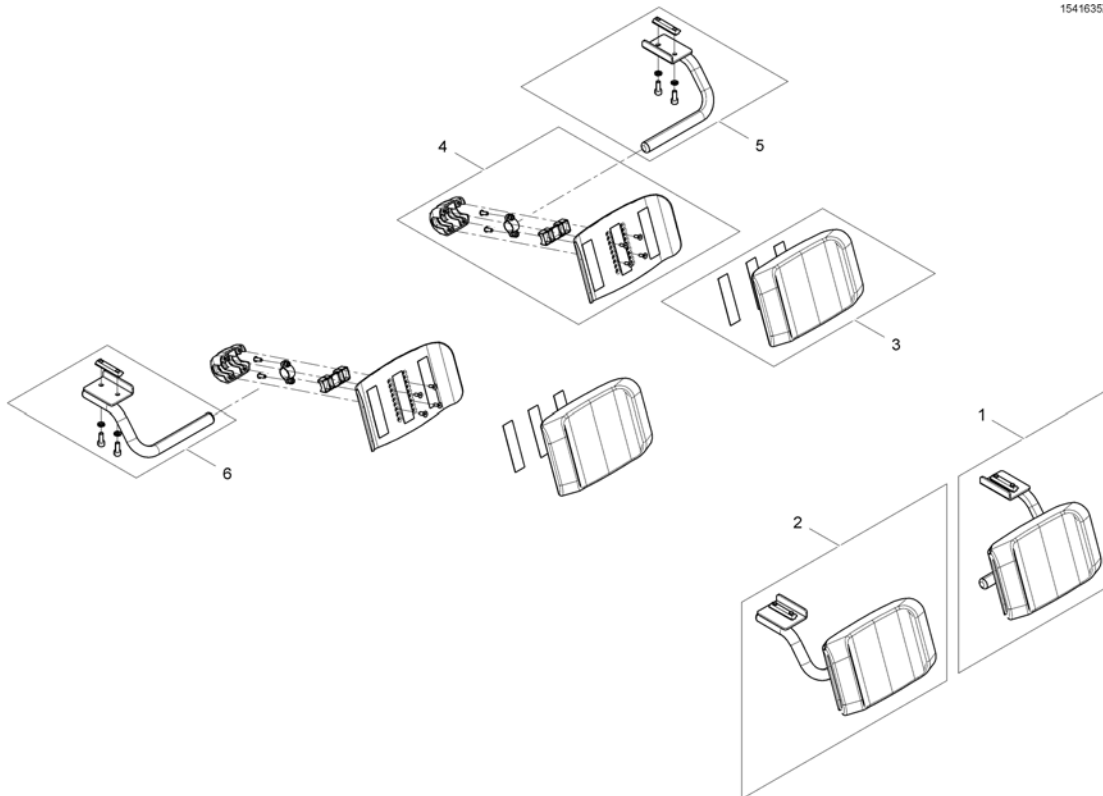


154310X.png

Pos.	Part number	Description	Valid from → until	Qty
1	SP1543082	Support tube, SW49		1
1	SP1543081	Support tube, SW55		1
1	SP1543080	Support tube, SW61		1
2	SP1551199	Backrest frame, cpl., SW49		1
2	SP1526824	Backrest frame, cpl., SW55		1
2	SP1526823	Backrest frame, cpl., SW61		1
3	1445848	Backrest Rail, cpl.		1
4	5253088	Fixation block		1
-	1508867	Cover SW49, dartex grey <i>not shown</i>		1
-	SP1526459	Cover, Lateral 640X520, Dartex Grey <i>not shown</i>		1
-	1526424	Cover, Lateral 700X500, Dartex Grey <i>not shown</i>		1
5	1445694	Backrest, tension adjustable, SW up to 49cm		1
5	SP1526308	Backrest, tension adjustable, SW 55 - 61cm		1
6	SP1544310	Backrest bracket, cpl., SW49		1
6	SP1544311	Backrest bracket, cpl., SW55		1
6	SP1544312	Backrest bracket, cpl., SW61		1

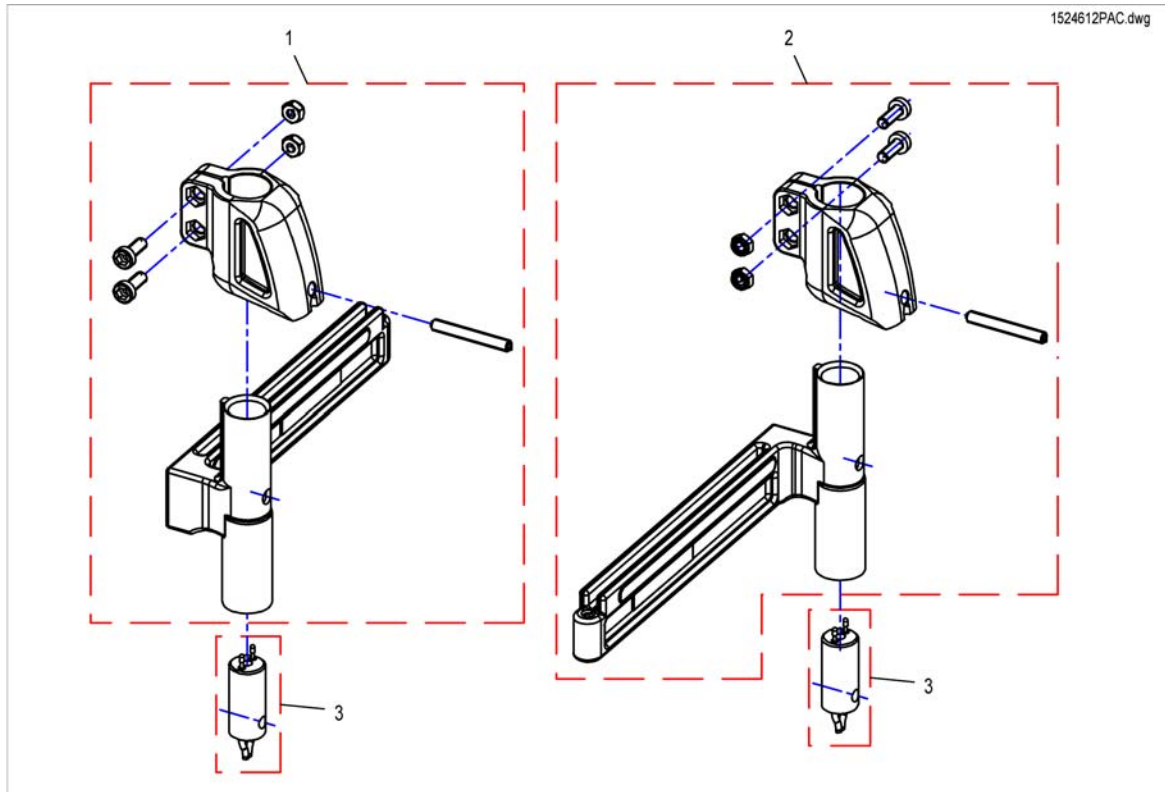
# Calf plates

1541635X.iso



Pos.	Part number	Description	Valid from → until	Qty
1	SP1544875	Calf pad, SW 490mm, LH, cpl.		1
1	SP1541635	Calf pad, SW 550mm & 610mm, LH, cpl.		1
2	SP1544876	Calf pad, SW 490mm, LH, cpl.		1
2	SP1541636	Calf pad, SW 550mm & 610mm, RH, cpl.		1
3	SP1541672	Calf Pad SW 490mm		1
3	SP1541491	Calf Pad SW 550mm & 610mm		1
4	SP1541669	Calf pad bracket SW 490mm, LH/RH, cpl.		1
4	SP1541489	Calf pad bracket SW 550mm & 610mm, LH/RH, cpl.		1
5	SP1541633	Calf pad bracket, LH, cpl.		1
6	SP1541634	Calf pad bracket, RH, cpl.		1

# Legrest Support, Vari series, Flex2-/Max-Seat

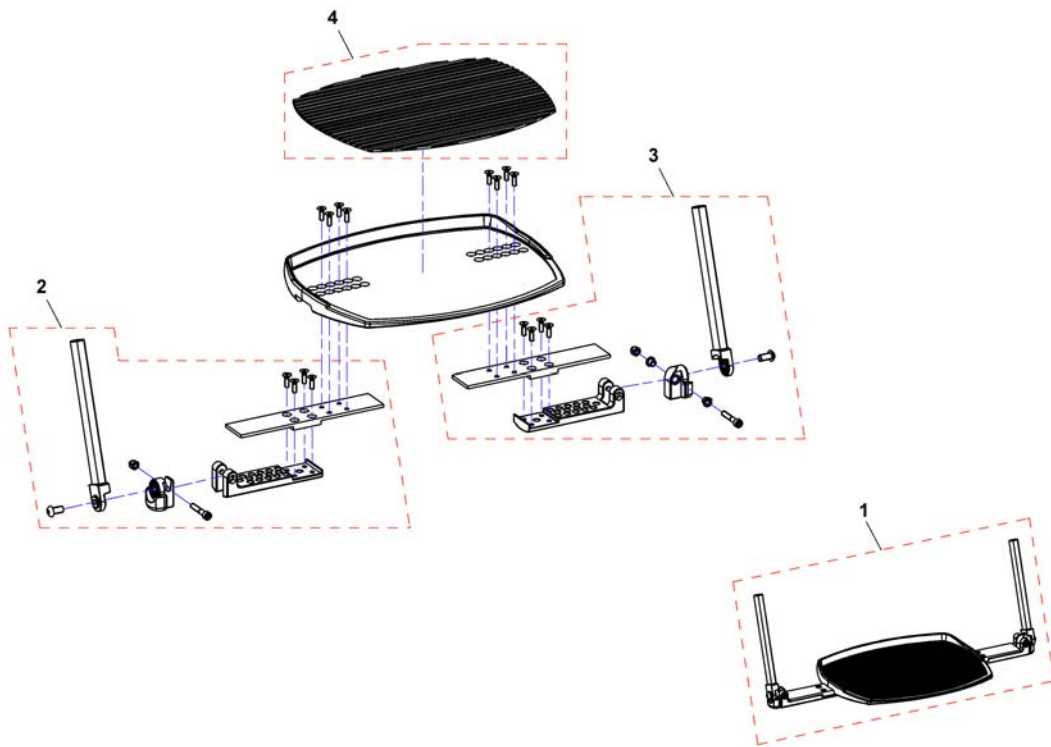


Pos.	Part number	Description	Valid from → until	Qty
1	SP1526910	Footrest/Legrest receptacle, manuell, RH, 5cm <i>Flex2 &amp; MAX</i>		1
1	SP1524612	Footrest/Legrest receptacle, powered, RH, 5cm <i>for ACS, Flex2</i>		1
1	SP1555995	Footrest/Legrest receptacle, powered, RH, 5cm <i>for ACS, MAX</i>		1
1	SP1534880	Footrest/Legrest receptacle, powered, RH, 5cm <i>for R-Net, Flex2 &amp; MAX without Lifter</i>		1
1	SP1537399	Footrest/Legrest receptacle, powered, RH, 5cm <i>for R-Net, FLeX2 &amp; MAX with Lifter</i>		1
2	SP1526909	Footrest/Legrest receptacle, manuell, LH, 5cm <i>Flex2 &amp; MAX</i>		1
2	SP1524613	Footrest/Legrest receptacle, powered, LH, 5cm <i>for ACS, Flex2</i>		1
2	SP1555996	Footrest/Legrest receptacle, powered, LH, 5cm <i>for ACS, MAX</i>		1
2	SP1534881	Footrest/Legrest receptacle, powered, LH, 5cm <i>for R-Net, Flex2 &amp; MAX without Lifter</i>		1
2	SP1537400	Footrest/Legrest receptacle, powered, LH, 5cm <i>for R-Net, Flex2 &amp; MAX with Lifter</i>		1
3	SP1527775	Power Supply Cable Legrest (650mm) <i>for ACS, Flex2 RH</i>		1
3	SP1530795	Power Supply Cable Legrest ACS2 (1000mm) <i>for ACS, Max-Seat RH &amp; LH / Flex2 LH</i>		1
3	SP1533694	Power Supply Cable Legrest (850mm) <i>for R-Net without Lifter, RH &amp; LH</i>		1
3	SP1450232	Power Supply Cable Legrest (550mm) <i>for R-Net with Lifter, RH &amp; LH</i>		1



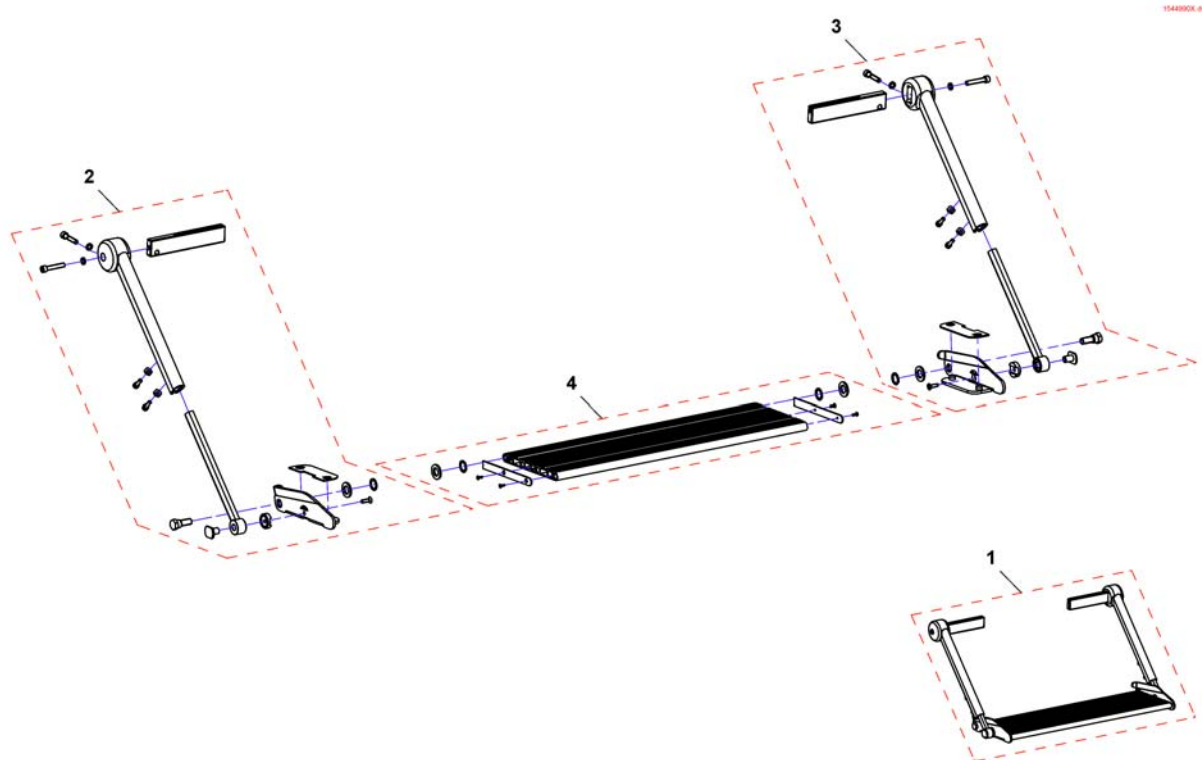
# Footboard

1552004.png

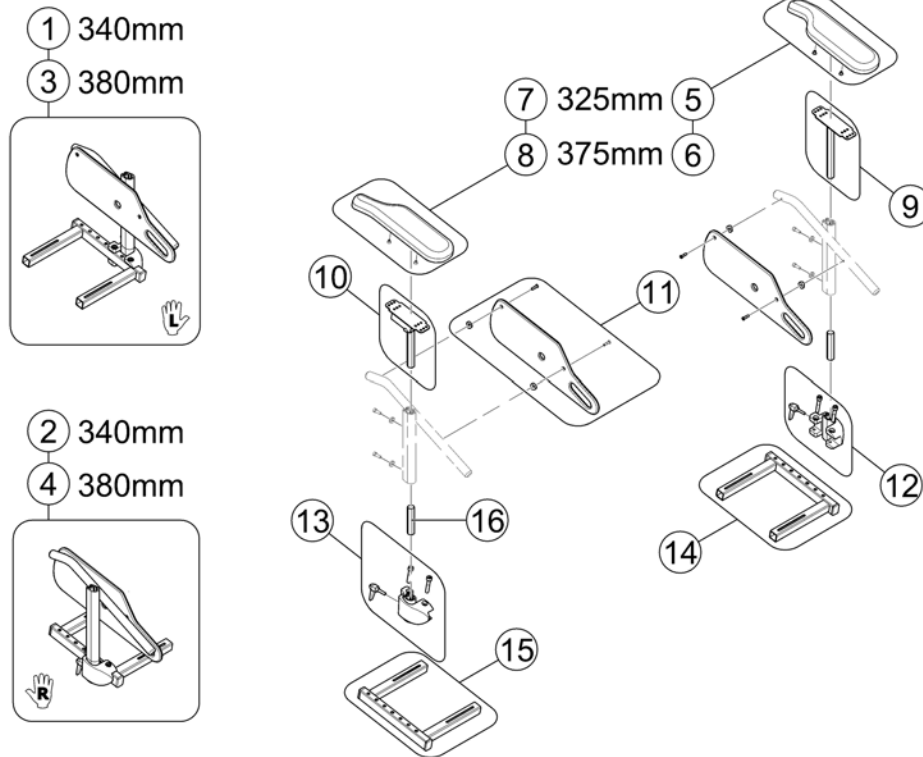


Pos.	Part number	Description	Valid from → until	Qty
1	SP1552004	Footboard SW49 & 55, cpl.		1
2	SP1552599	Footboard bracket RH		1
3	SP1552600	Footboard bracket LH		1
4	Z174159	Rubber mat		1

## Fixed footboard



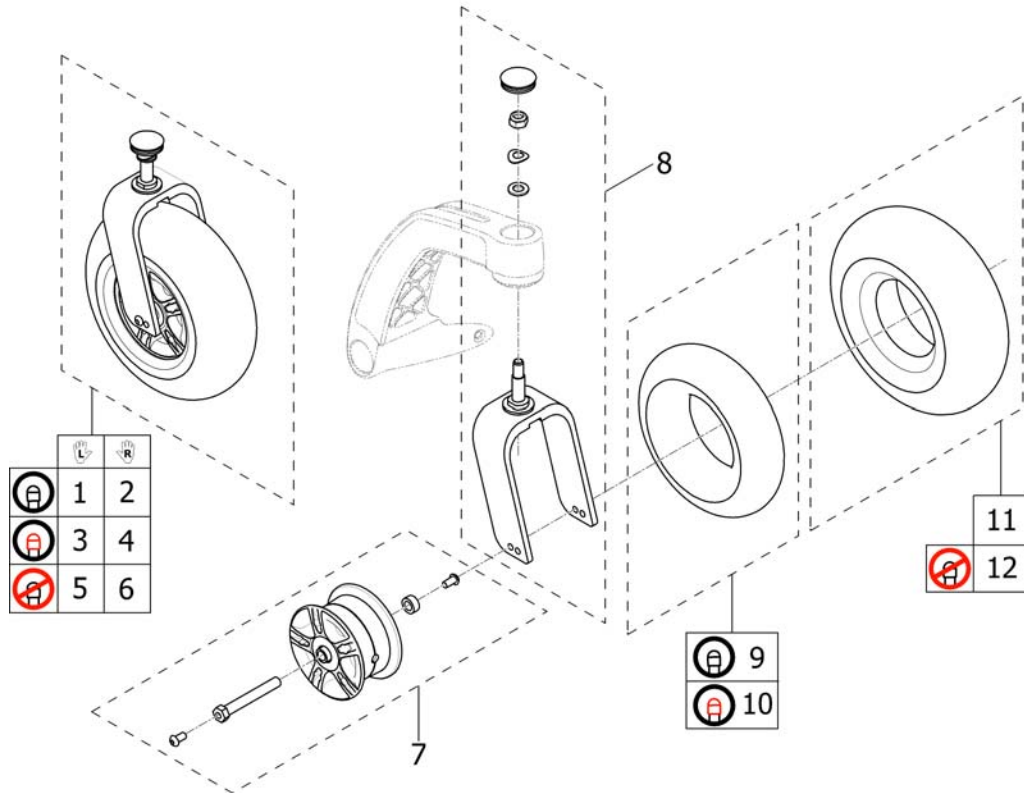
Pos.	Part number	Description	Valid from → until	Qty
1	SP1544990	Fixed footboard SW61		1
1	SP1545454	Fixed footboard SW55		1
1	SP1545455	Fixed footboard SW49		1
2	SP1552445	Footboard bracket RH		1
3	SP1552446	Footboard bracket LH		1
4	SP1552466	Footboard SW49		1
4	SP1552465	Footboard SW55		1
4	SP1552447	Footboard SW61		1



Pos.	Part number	Description	Valid from → until	Qty
1	SP1583906	Siderest 340mm LH, without Armrest - Max Seat		1
2	SP1583907	Siderest 340mm RH, without Armrest - Max Seat		1
3	SP1583908	Siderest 380mm LH, without Armrest - Max Seat		1
4	SP1583909	Siderest 380mm RH, without Armrest - Max Seat		1
5	SP1443004	Armpad, Standard (325mm), LH		1
6	SP1528846	Armpad, Extended (375mm), LH		1
7	SP1449043	Armpad, Standard (325mm), RH		1
8	SP1528845	Armpad, Extended (375mm), RH		1
9	SP1510857	Armpad holder LH		1
10	SP1510856	Armpad holder RH		1
11	SP1428078	Skirtguard, seat depth 410mm		1
12	SP1541647	Clamp, LH, cpl.		1
13	SP1541646	Clamp, RH, cpl.		1
14	SP1537209	Bracket, cpl., LH		1
15	SP1537208	Bracket, cpl., RH		1
16	1422092-0002	CONNECTION PIECE		1

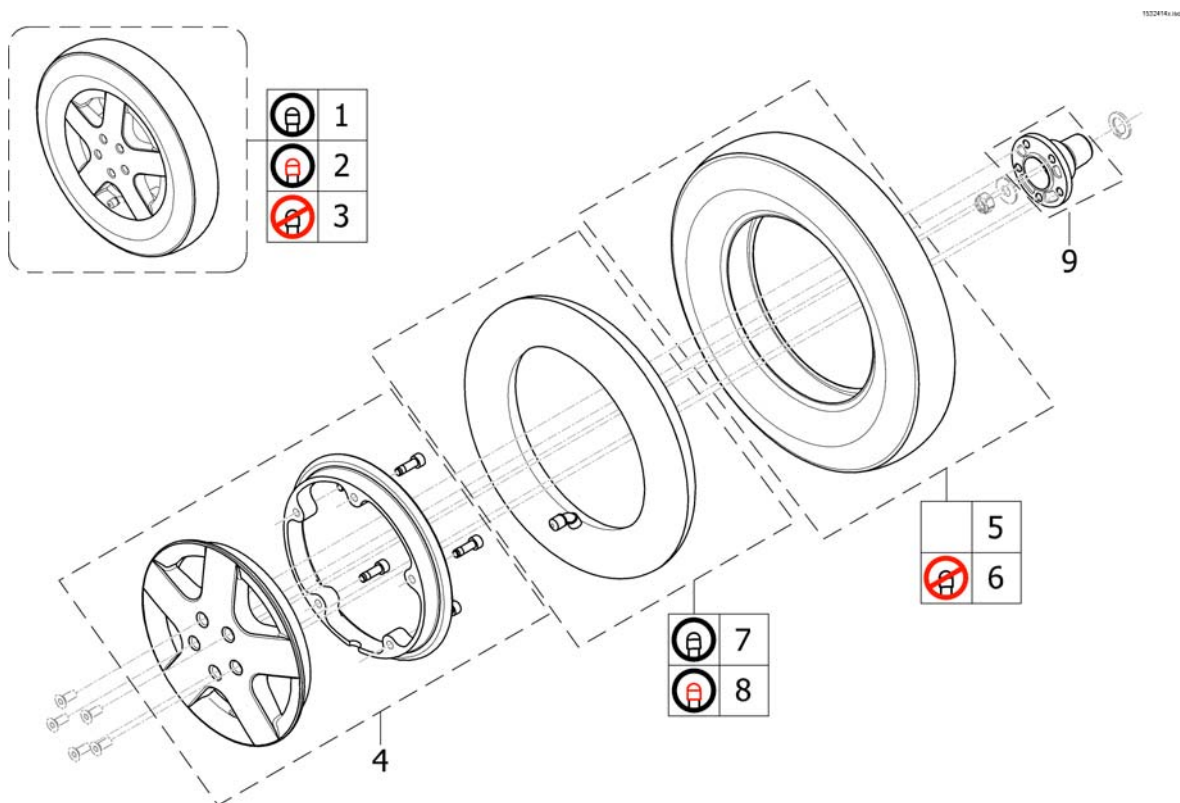
# Front wheels

1546208.iso



Pos.	Part number	Description	Valid from → until	Qty
-		New Wheel Design since 03/2013! Please order an additional Rim Kit for other side, if required.		0
1	SP1546211	Front wheel, pneumatic, LH, complete <i>Design change 03/2013.</i>		1
2	SP1546208	Front wheel, pneumatic, RH, complete <i>Design change 03/2013.</i>		1
3	SP1546213	Front wheel, puncture protected, LH, complete <i>Design change 03/2013.</i>		1
4	SP1546210	Front wheel, puncture protected, RH, complete <i>Design change 03/2013.</i>		1
5	SP1546212	Front wheel, puncture proof, LH, complete <i>Design change 03/2013.</i>		1
6	SP1546209	Front wheel, puncture proof, RH, complete <i>Design change 03/2013.</i>		1
7	SP1571812	Frontwheel Rim Kit, complete <i>Design change 03/2013. Replaces SP1552551</i>		1
8	SP1552552	Fork, complete		1
9	SP1546752	Tube 3.00-4"		1
10	SP1552564	Tube 3.00-4", puncture protected		1
11	SP1546742	Tire 3.00-4" grey		1
12	SPM11960	Tire 3.00-4" grey, puncture proof		1

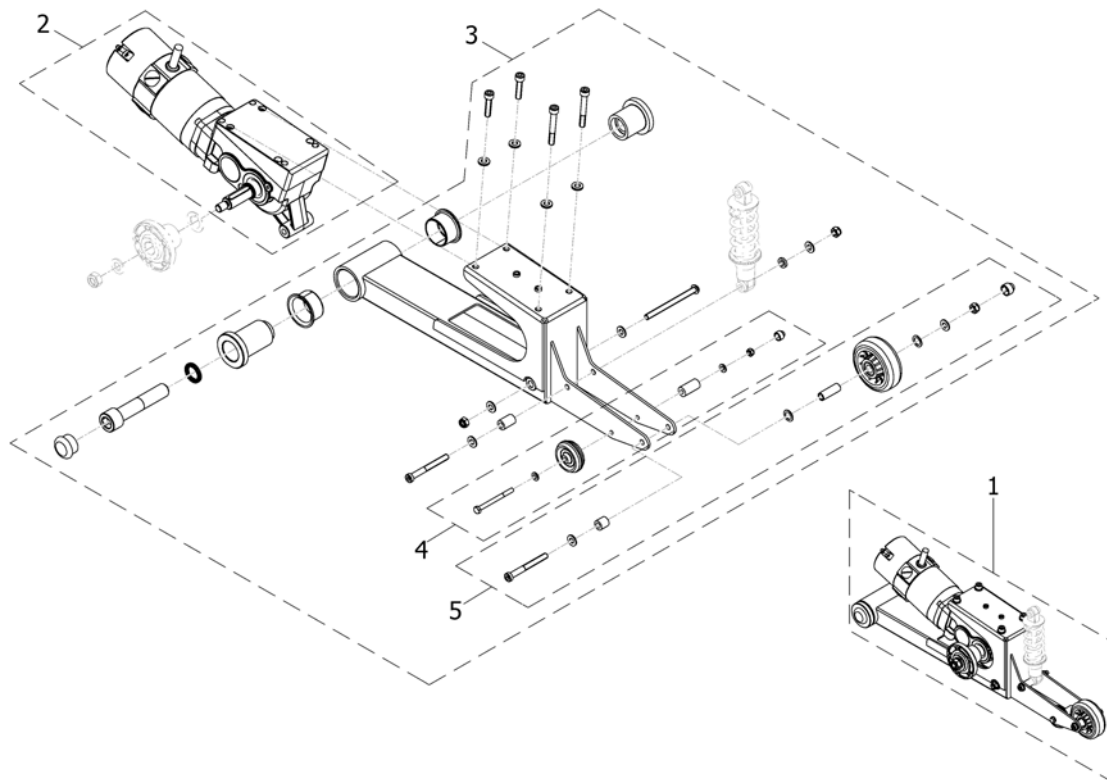
# Drive Wheel 14"



Pos.	Part number	Description	Valid from → until	Qty
1	SP1532414	Wheel 14 x 3.00" pneumatic, silver, complete		1
2	SP1532415	Wheel 14 x 3.00" puncture protected, silver, complete		1
3	SP1532416	Wheel 14 x 3.00" puncture proof, silver, complete		1
4	SP1541373	Rim Kit, complete		1
5	SP1522940	Tire 14 x 3.00"		1
6	SP1141342	Tire 14 x 3.00" puncture proof		1
7	SP1039651	Tube 14"		1
8	SP1541374	Tube 14" puncture protected		1
9	SP1527821	Wheel Hub 5-hole		1

# Motor with swingarm

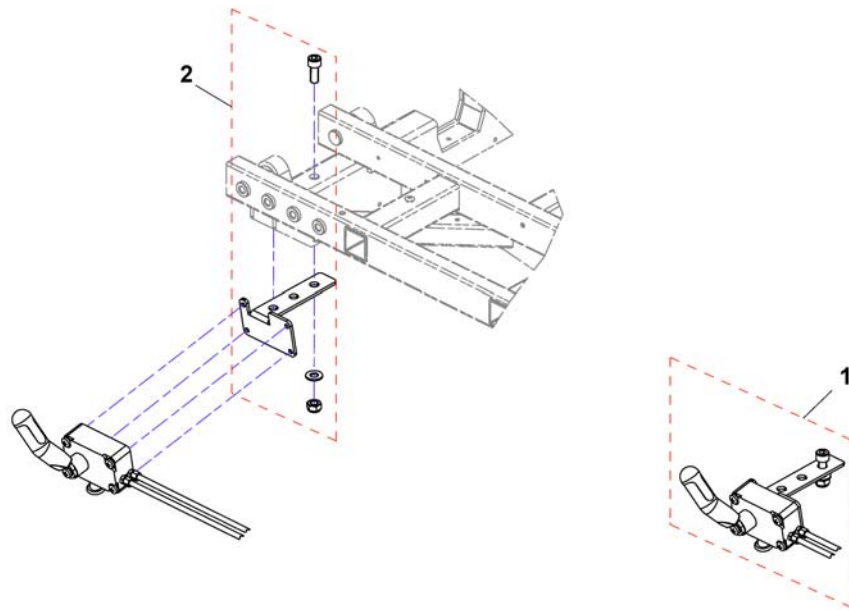
1547873.00



Pos.	Part number	Description	Valid from → until	Qty
-	1510059	Magnetbrake-kit RH		1
-	1510064	Magnetbrake-kit LH		1
1	SP1547872	Motor with swingarm, RH, cpl.		1
1	SP1547873	Motor with swingarm, LH, cpl.		1
2	1440363	Motor 6km/h (SRG0112) - Typhoon: left / Storm4 Max: right		1
2	1440364	Motor 6km/h (SRG0112) - Typhoon: right / Storm4 Max: left		1
3	SP1552661	Motorswingarm, LH, cpl.		1
3	SP1552660	Motorswingarm, RH, cpl.		1
4	SP1552662	Anti tipp wheel Ø50x20		1
5	SP1552688	Anti tipp wheel Ø80x30		1

# Decoupling

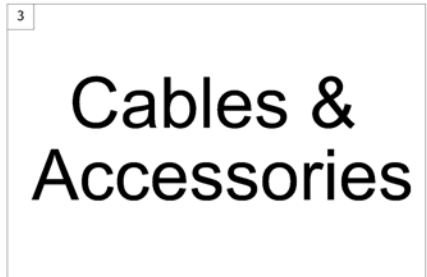
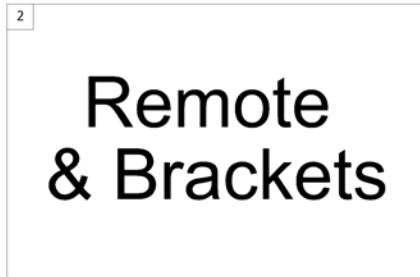
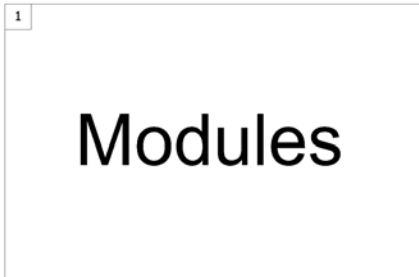
1548540X.dwg



Pos.	Part number	Description	Valid from → until	Qty
	1478428	ASSEMBLY KIT BOWDEN CABLE, CPL. <i>not shown</i>		1
1	SP1548540	Decoupling, cpl.		1
2	SP1552567	Declutching bracket, cpl.		1

# Electronic

1500784.indd



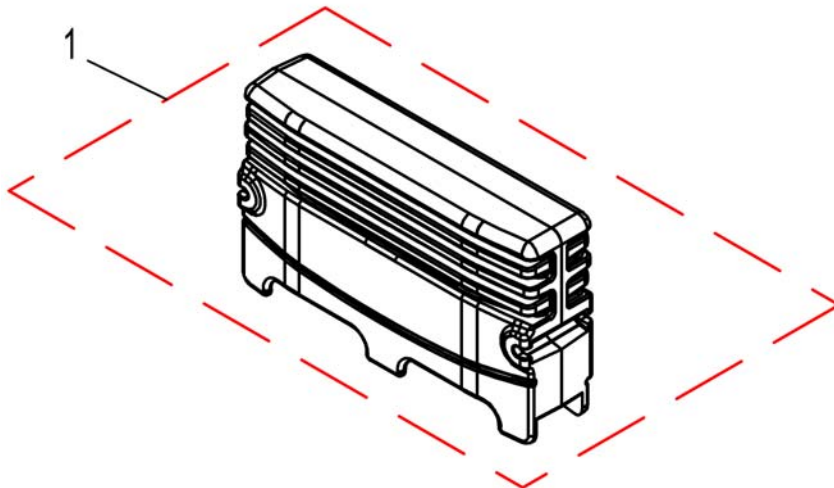
Pos.	Part number	Description	Valid from → until	Qty
1	-	ACS Electronic Modules		1
2	-	ACS Remote & Brackets		1
3	-	ACS Cables & Accessories		1



<b>Pos.</b>	<b>Part number</b>	<b>Description</b>	<b>Valid from → until</b>	<b>Qty</b>
-		Power modules ACS 2		1
-		Power module holder / Gyro		1
-		ACT for ACS 2		1
-		G-Trac-sensor		1
-		Light board		1

# Power modules ACS 2

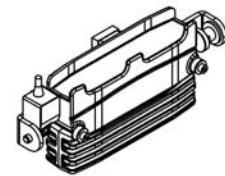
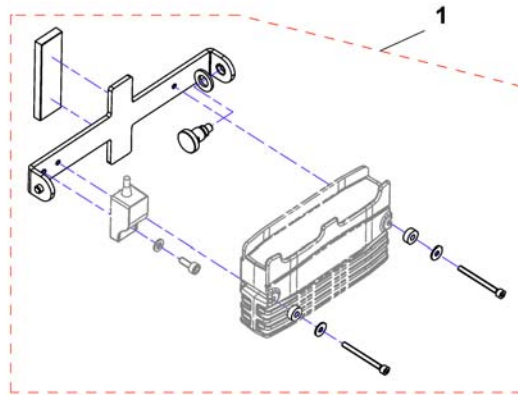
1524244X.dwg



Pos.	Part number	Description	Valid from → until	Qty
-	SP1555702	Gasket kit for ACS2, Powermodule and ACT		1
1	SP1524244	Powermodule, ACS2, 90A, with light, DX2-PMA90L <i>Lock washer between module and bracket!</i>		1
1	SP1537975	Powermodule, ACS2, 90A, for light and G-Trac, DX2-PMA90LG <i>Lock washer between module and bracket!</i>		1

# Power module holder / Gyro

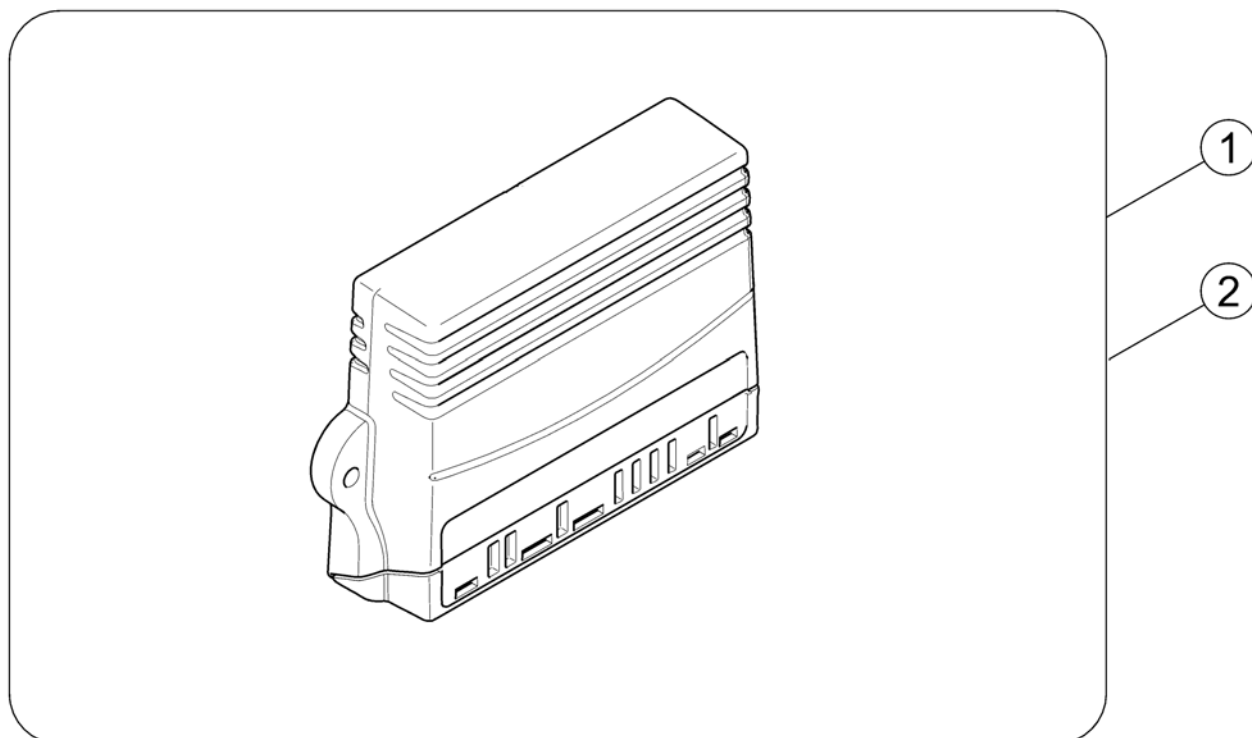
1544261X.dwg



Pos.	Part number	Description	Valid from → until	Qty
1	SP1546769	Power module holder / Gyro <i>Lock washer between module and bracket!</i>		1

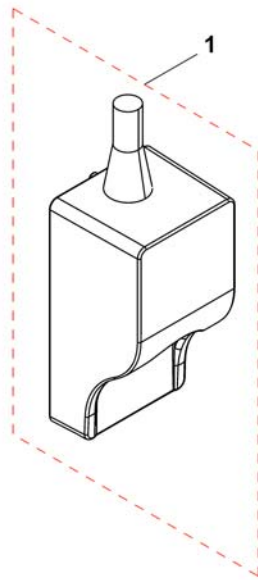
# ACT for ACS 2

1528542X.iso



Pos.	Part number	Description	Valid from → until	Qty
1	SP1528542	ACT2 for ACS2, cpl.		1
2	SP1529382	ACT4 for ACS2, cpl.		1

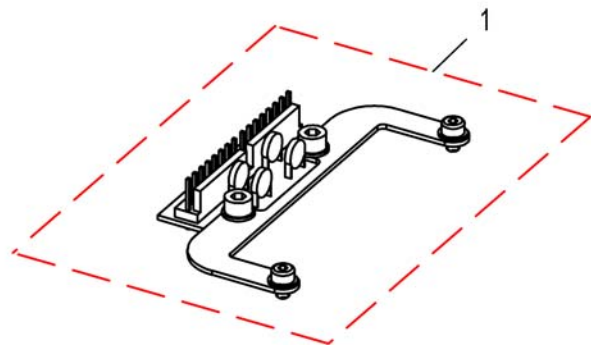
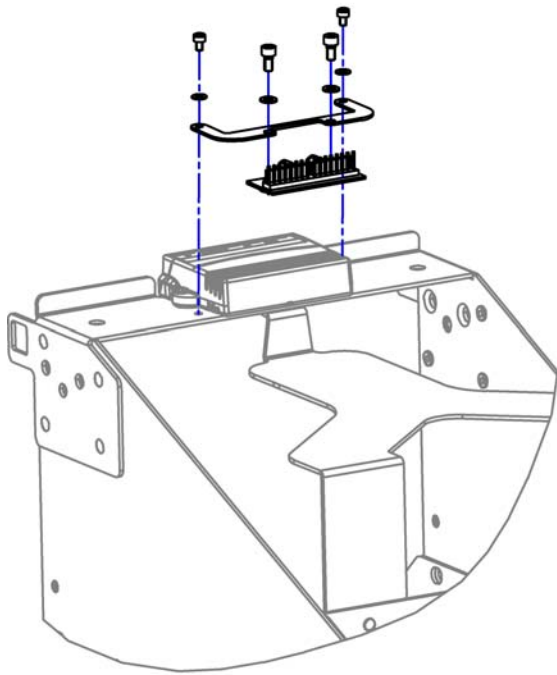
1537848X.dwg



Pos.	Part number	Description	Valid from → until	Qty
1	SP1541535	G-Trac		1

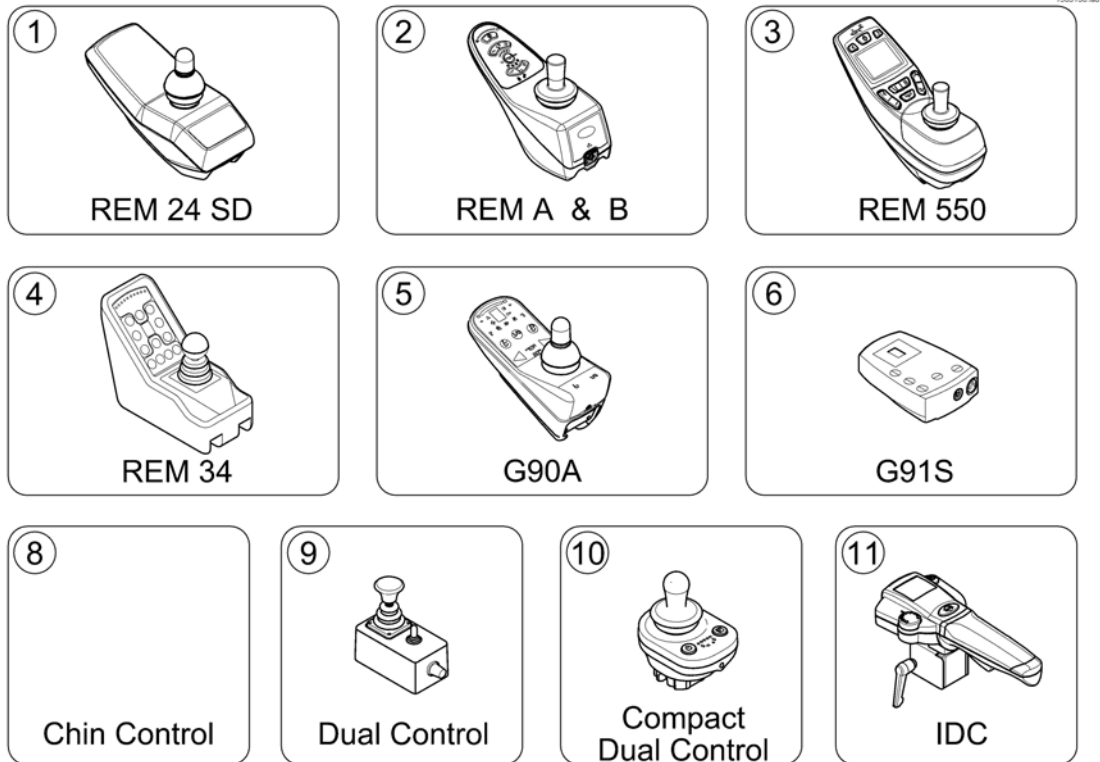
# Light board

1528890X.dwg



Pos.	Part number	Description	Valid from → until	Qty
-	SP1524237	Light cable ACS2		1
1	SP1528890	Light board, cpl.		1

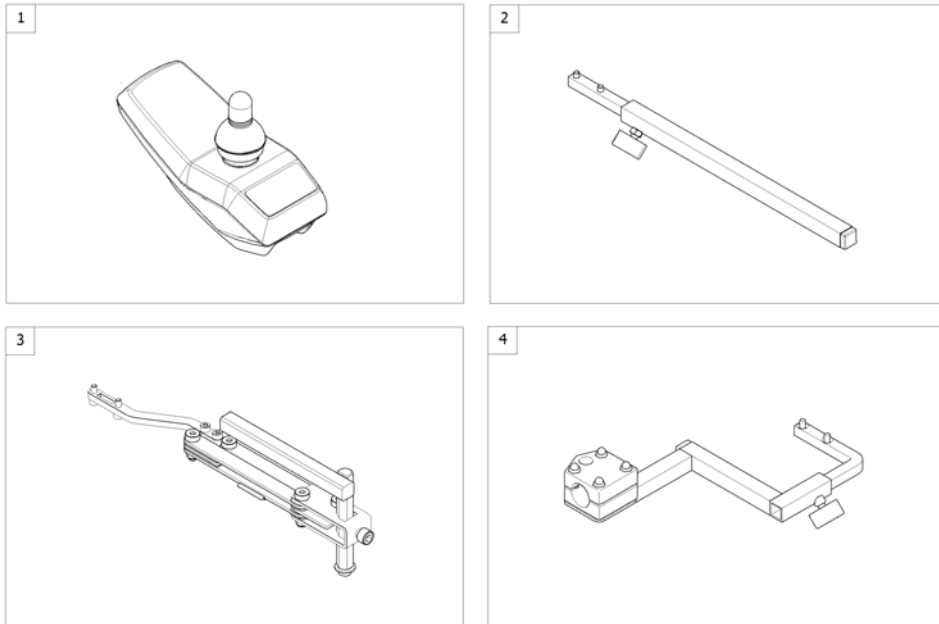
## ACS Remote & Brackets



Pos.	Part number	Description	Valid from → until	Qty
1	-	REM 24 SD with brackets <i>[1601/1602]</i>		1
2	-	REM A & B with brackets <i>[1638/1639/1643/1644]</i>		1
3	-	REM 550 with brackets <i>[1617/1618]</i>		1
4	-	REM 34 with brackets <i>[1611]</i>		1
5	-	G90A with brackets <i>[1614/1616]</i>		1
6	-	G91S with brackets <i>[1615]</i>		1
7	-	Small Chin Control with brackets <i>[1609]</i>		1
8	-	Dual Control with brackets <i>[1291/1292]</i>	→ 2015-06-30	1
9	-	Compact Dual Control with brackets <i>[1720]</i>	2015-07-01 →	1
10	-	Intuitive Dual Control with brackets <i>[1645]</i>		1

## REM 24 SD with brackets

1562696.iss

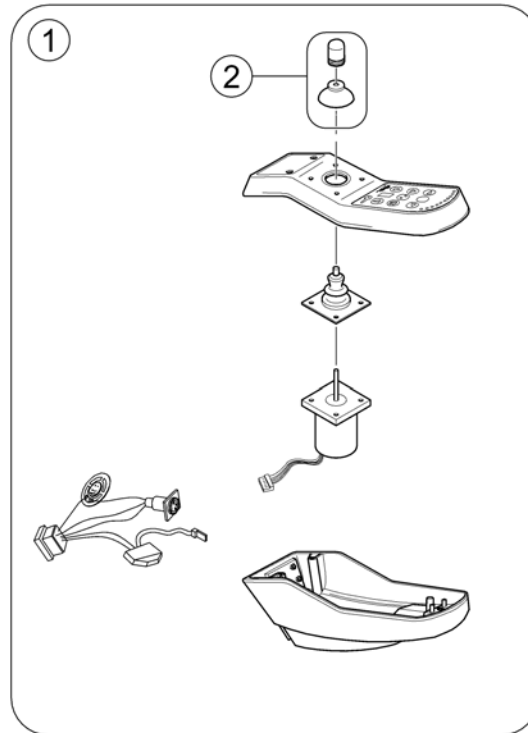


Pos.	Part number	Description	Valid from → until	Qty
1	-	Remote REM 24SD [1601/1602]		0
2	-	Remote Bracket Standard [1601+1207/1208]		1
3	-	Remote Bracket Swing away & height adjust. [1601+1707/1708]		1
4	-	Remote Bracket Attendant [1602+1207/1208]		1



# Remote REM 24SD

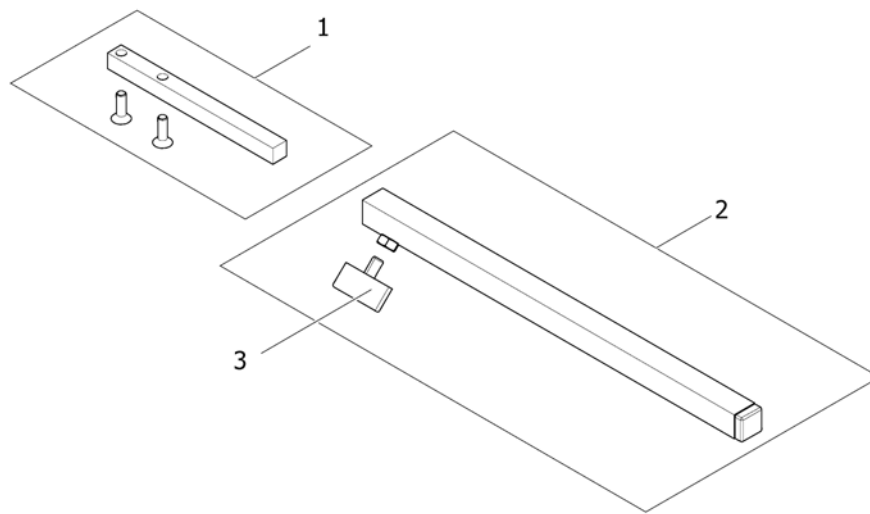
142282 860



Pos.	Part number	Description	Valid from → until	Qty
1	1436541	Remote REM24SD		1
2	SPZ183229	Remote knob cpl.		1

# Remote Bracket Standard

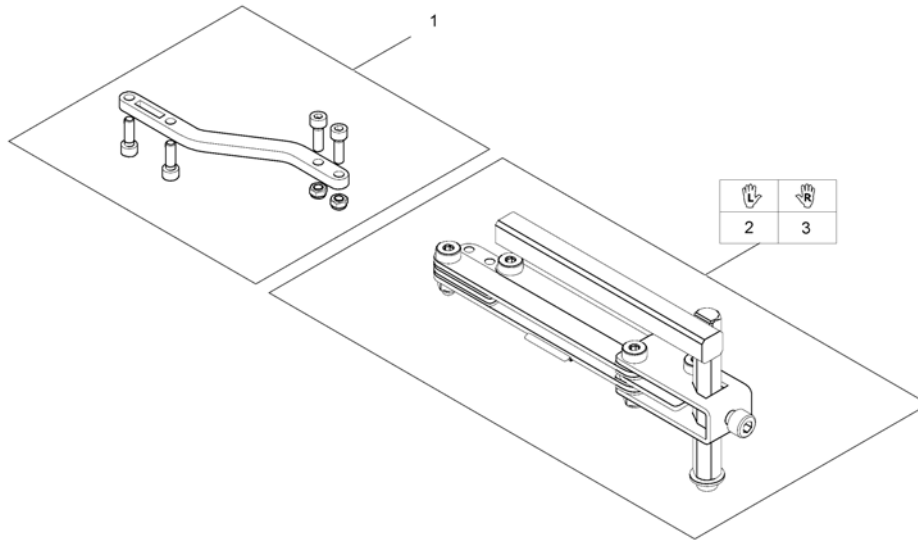
1559851.iso



Pos.	Part number	Description	Valid from → until	Qty
1	SP1436542	Support, Standard		1
2	SPS183040	Remote Bracket, Standard		1
3	L31001	Wing Scew M6X10		1

# Remote Bracket Swing away & height adjust.

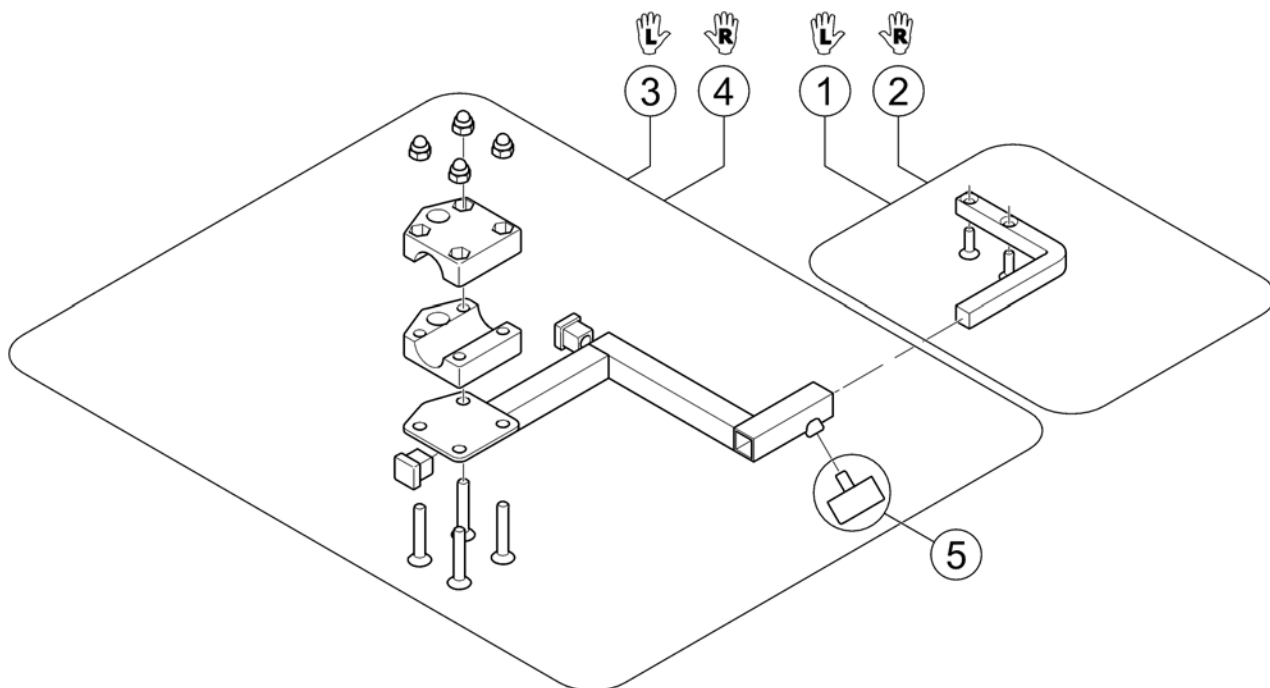
1559852.iso



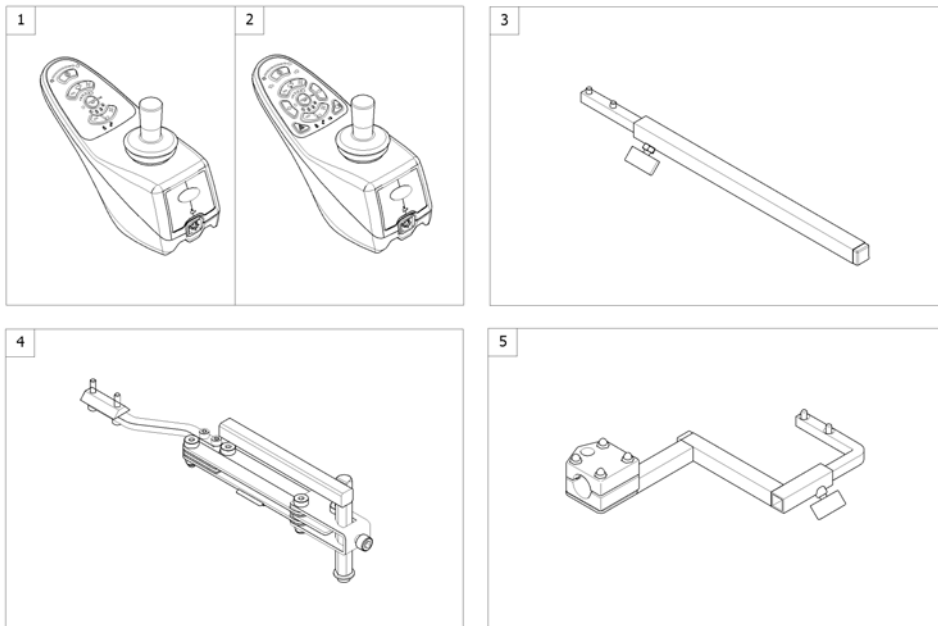
Pos.	Part number	Description	Valid from → until	Qty
1	SP1498222	Remote Support for Bracket height adjustable and swing away		1
2	SP1496249	Remote bracket, height adjustable & swing away, LH		1
3	SP1496248	Remote bracket, height adjustable & swing away, RH		1

# Remote Bracket Attendant

1560837.00



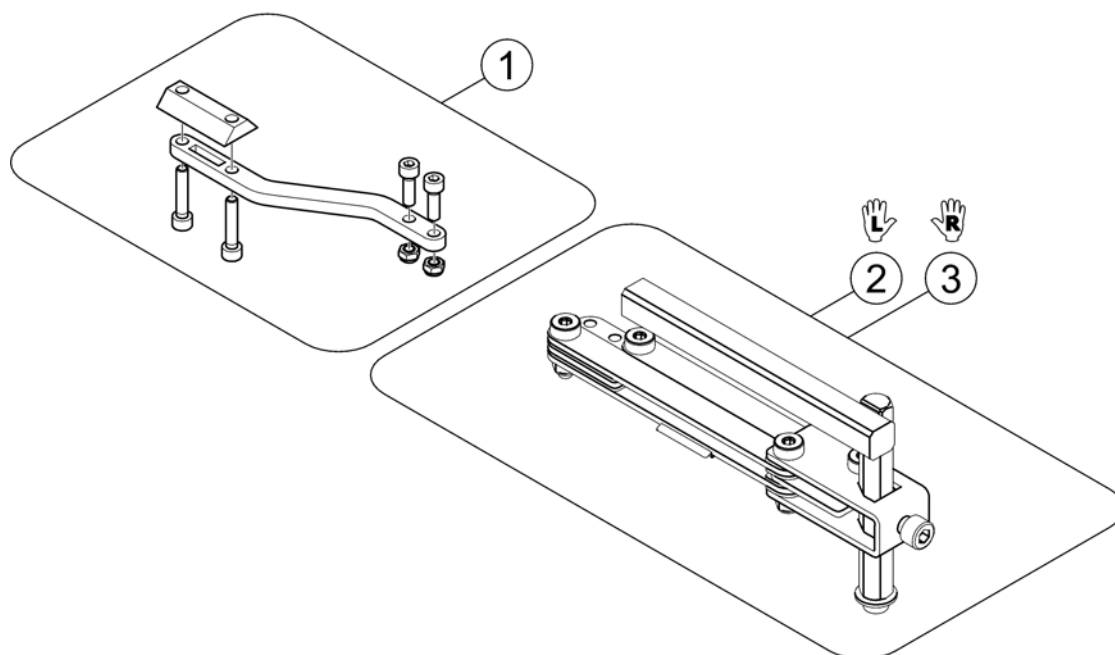
Pos.	Part number	Description	Valid from → until	Qty
1	1422806	Remote Support LH		1
2	1422810	Remote Support RH		1
3	SP1422937	Bracket for attendant control LH		1
4	SP1422936	Bracket for attendant control RH		1
5	L31001	Wing ScREW M6X10		1



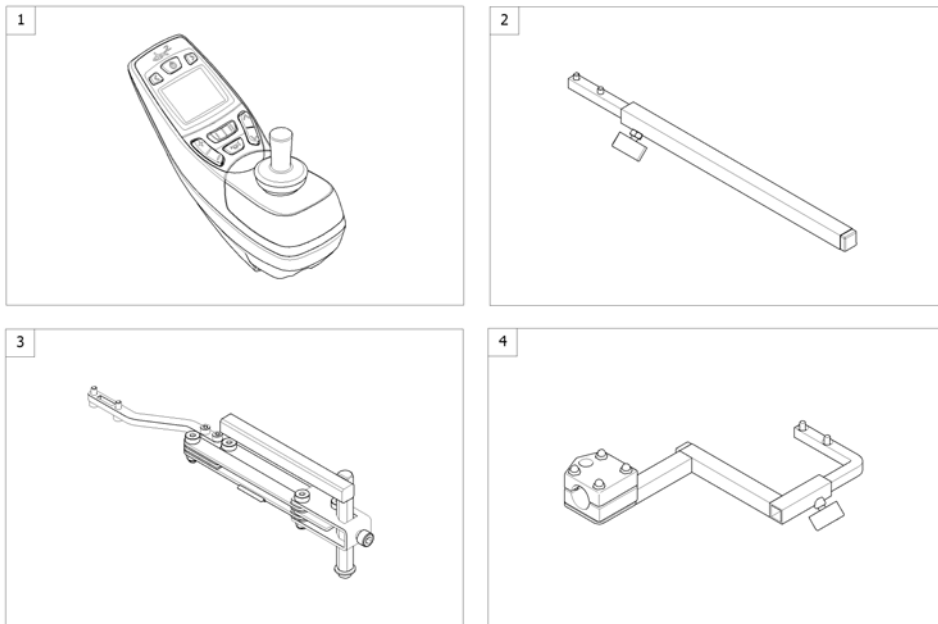
Pos.	Part number	Description	Valid from → until	Qty
1	SP1523440	Remote "REM A" [1638/1643]		1
2	SP1523445	Remote "REM B" [1639/1644]		1
3	-	Remote Bracket Standard [1638/1639+1207/1208]		1
4	-	Remote Bracket Swing away & height adjust. [1638/1639+1707/1708]		1
5	-	Remote Bracket Attendant [1643/1644+1207/1208]		1

## Remote Bracket Swing away & height adjust.

1559857.iso



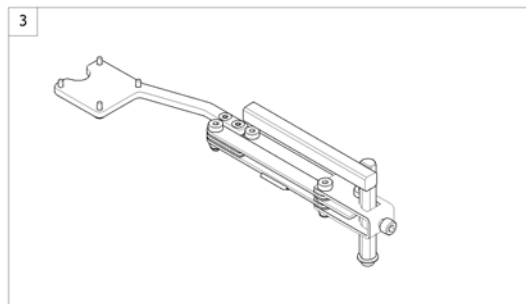
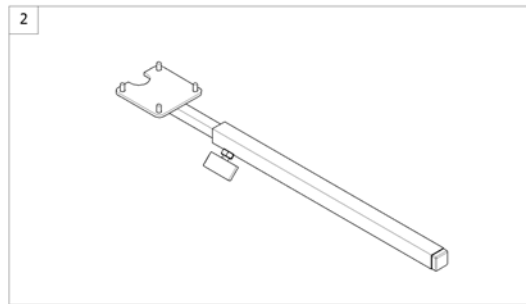
Pos.	Part number	Description	Valid from → until	Qty
1	SP1536180	Support for Remote Bracket, height adjustable & swing away		1
2	SP1496249	Remote bracket, height adjustable & swing away, LH		1
3	SP1496248	Remote bracket, height adjustable & swing away, RH		1



Pos.	Part number	Description	Valid from → until	Qty
1	SP1523444	Remote REM550 <i>[1617/1618]</i>		1
2	-	Remote Bracket Standard <i>[1617+1207/1208]</i>		1
3	-	Remote Bracket Swing away & height adjust. <i>[1617+1207/1208]</i>		1
4	-	Remote Bracket Attendant <i>[1618+1207/1208]</i>		1

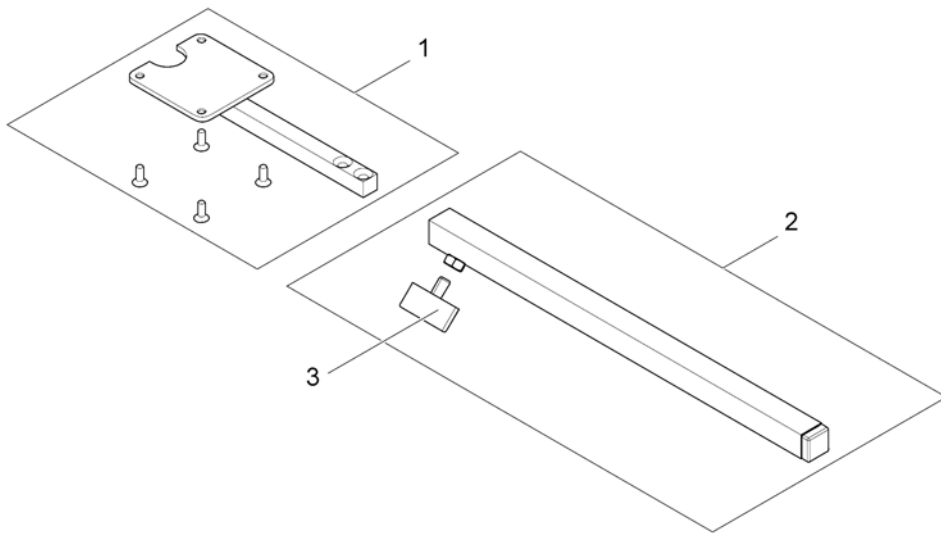
## REM 34 with brackets

1560846 iso



Pos.	Part number	Description	Valid from → until	Qty
1	SP1440677	Remote REM 34 [1611]		1
2	-	Remote Bracket Standard [1611+1207/1208]		1
3	-	Remote Bracket Swing away & height adjust. [1611+1707/1708]		1

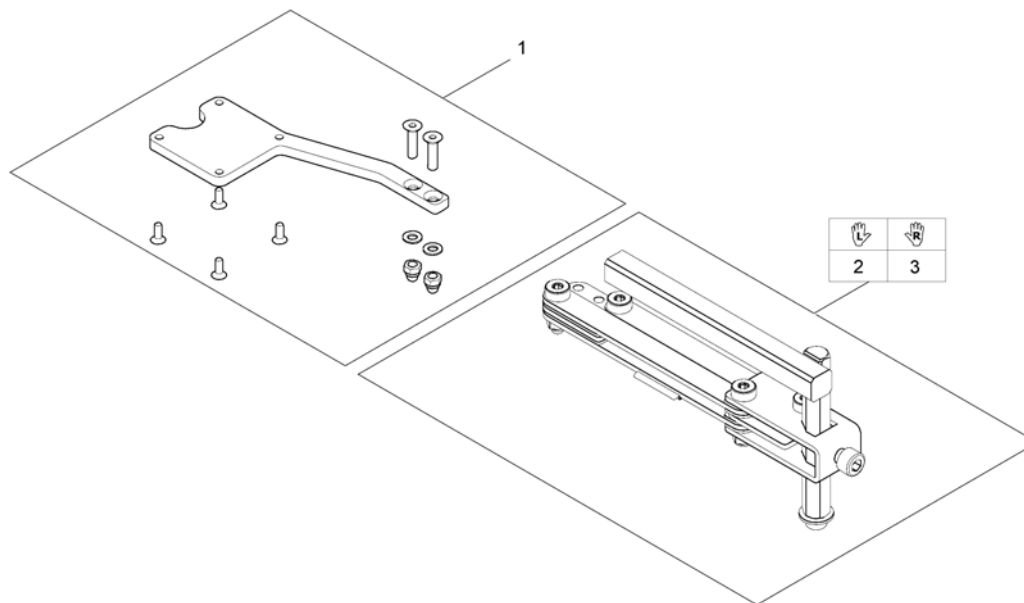




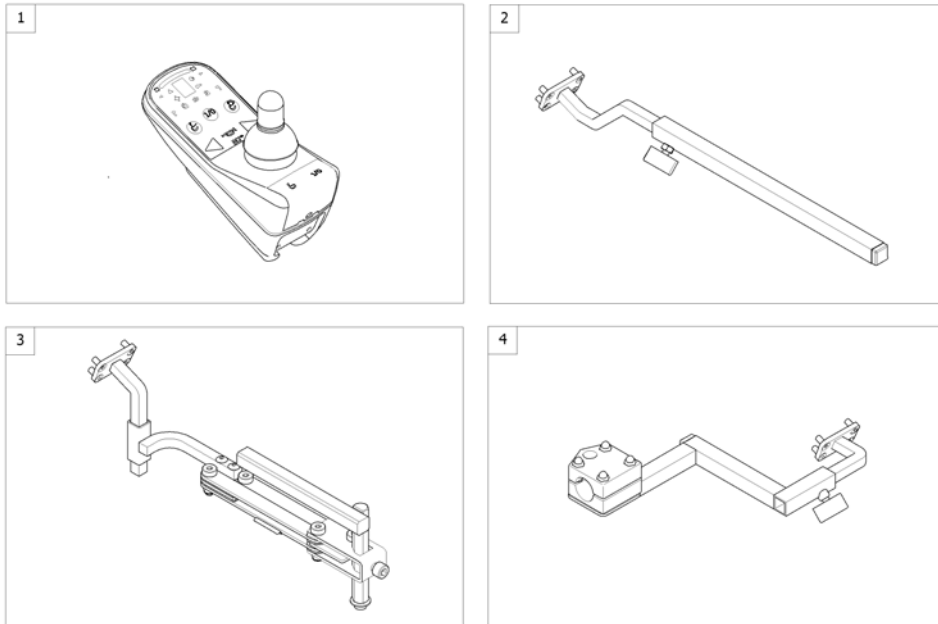
Pos.	Part number	Description	Valid from → until	Qty
1	SP1434921	Remote Support Standard		1
2	SPS183040	Remote Bracket, Standard		1
3	L31001	Wing ScREW M6X10		1

## Remote Bracket Swing away & height adjust.

1560845.iso



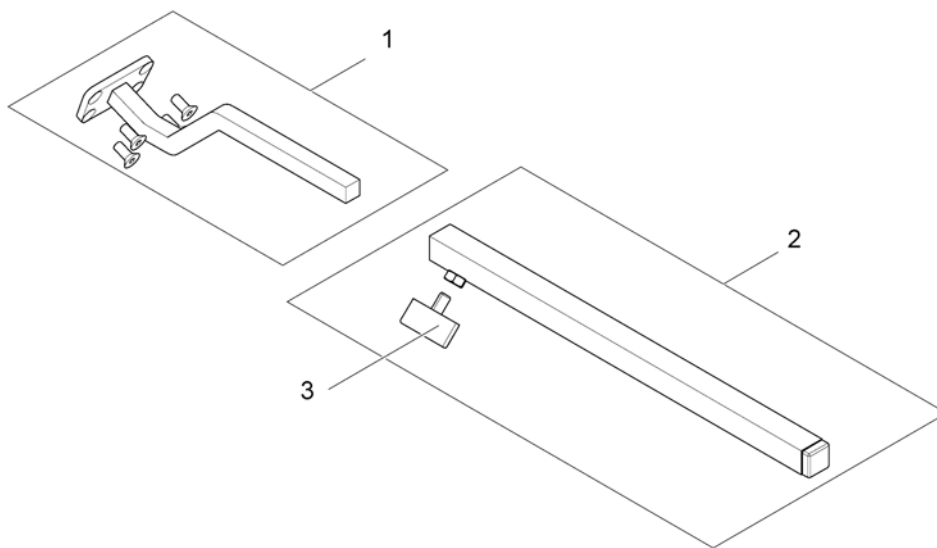
Pos.	Part number	Description	Valid from → until	Qty
1	SP1527125	Remote Support for Bracket height adjustable and swing away		1
2	SP1496249	Remote bracket, height adjustable & swing away, LH		1
3	SP1496248	Remote bracket, height adjustable & swing away, RH		1



Pos.	Part number	Description	Valid from → until	Qty
1	SP1504720	Remote G90A [1614/1616]		1
2	-	Remote Bracket Standard [1614+1207/1208]		1
3	-	Remote Bracket Swing away & height adjust. [1614+1707/1708]		1
4	-	Remote Bracket Attendant [1616+1207/1208]		1

# Remote Bracket Standard

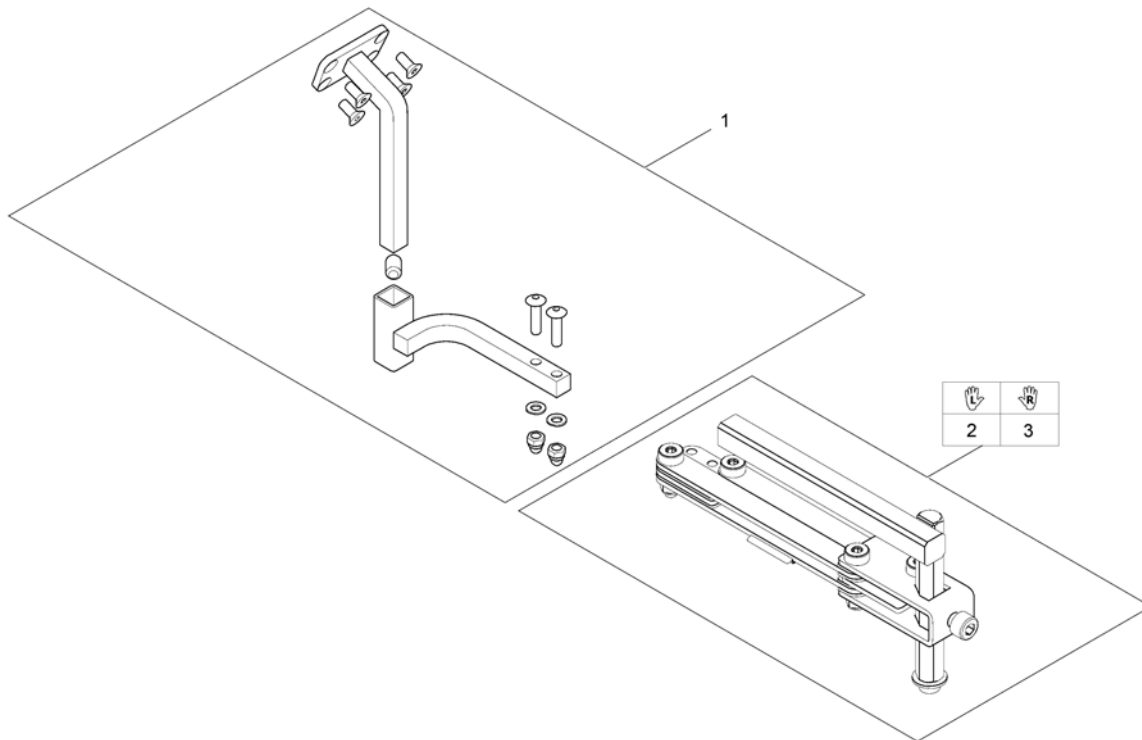
1562939.iso



Pos.	Part number	Description	Valid from → until	Qty
1	SP1504822	Remote Support Standard		1
2	SPS183040	Remote Bracket, Standard		1
3	L31001	Wing ScREW M6X10		1

# Remote Bracket Swing away & height adjust.

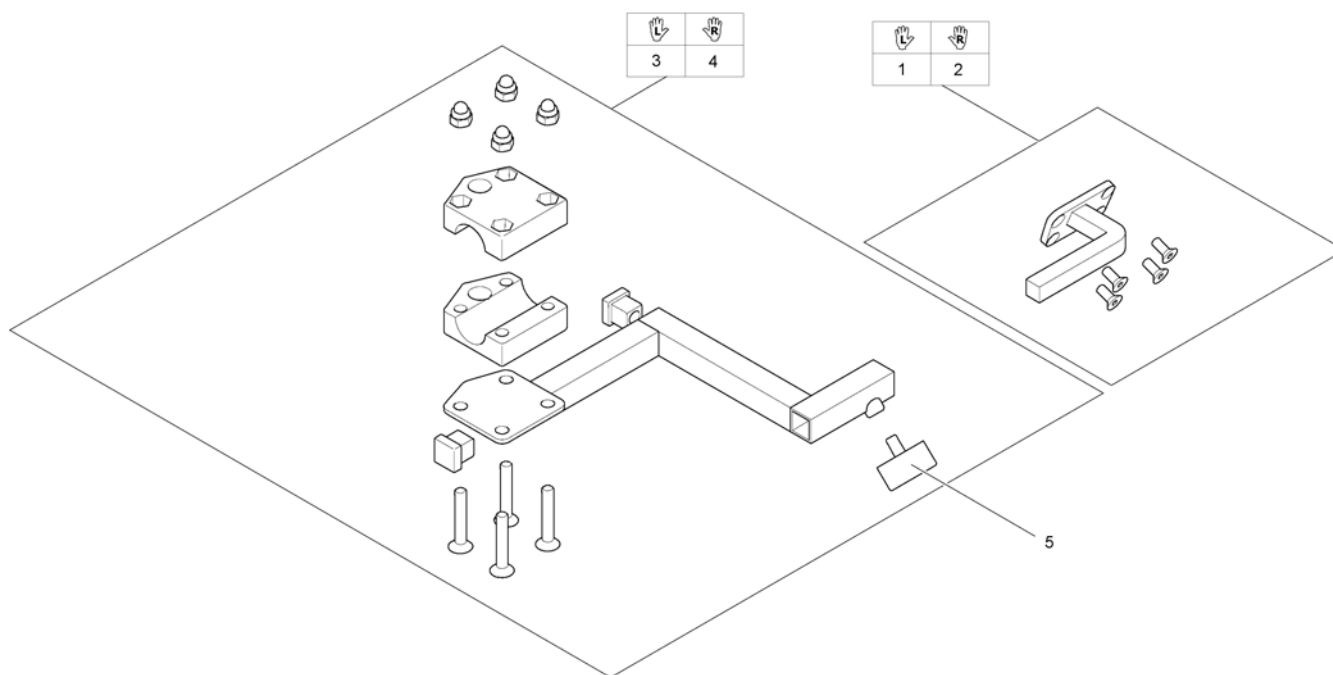
1560310.iso



Pos.	Part number	Description	Valid from → until	Qty
1	SP1517352	Remote Support for Bracket height adjustable and swing away		1
2	SP1496249	Remote bracket, height adjustable & swing away, LH		1
3	SP1496248	Remote bracket, height adjustable & swing away, RH		1

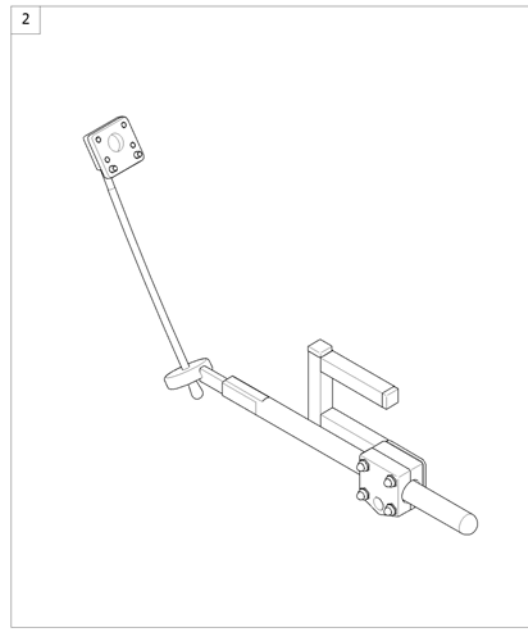
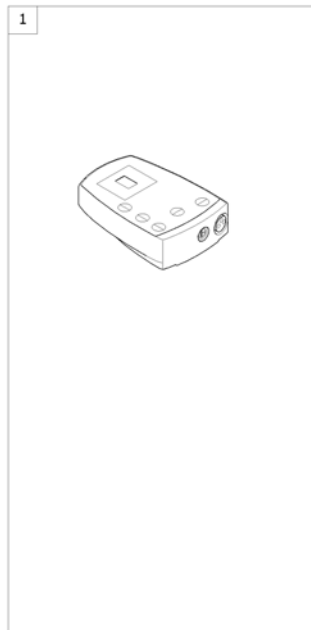
# Remote Bracket Attendant

1560853.iso



Pos.	Part number	Description	Valid from → until	Qty
1	SP1509435	Remote Support attendant control G90A, LH		1
2	SP1509439	Remote Support attendant control G90A, RH		1
3	SP1422937	Bracket for attendant control LH		1
4	SP1422936	Bracket for attendant control RH		1
5	L31001	Wing ScREW M6X10		1

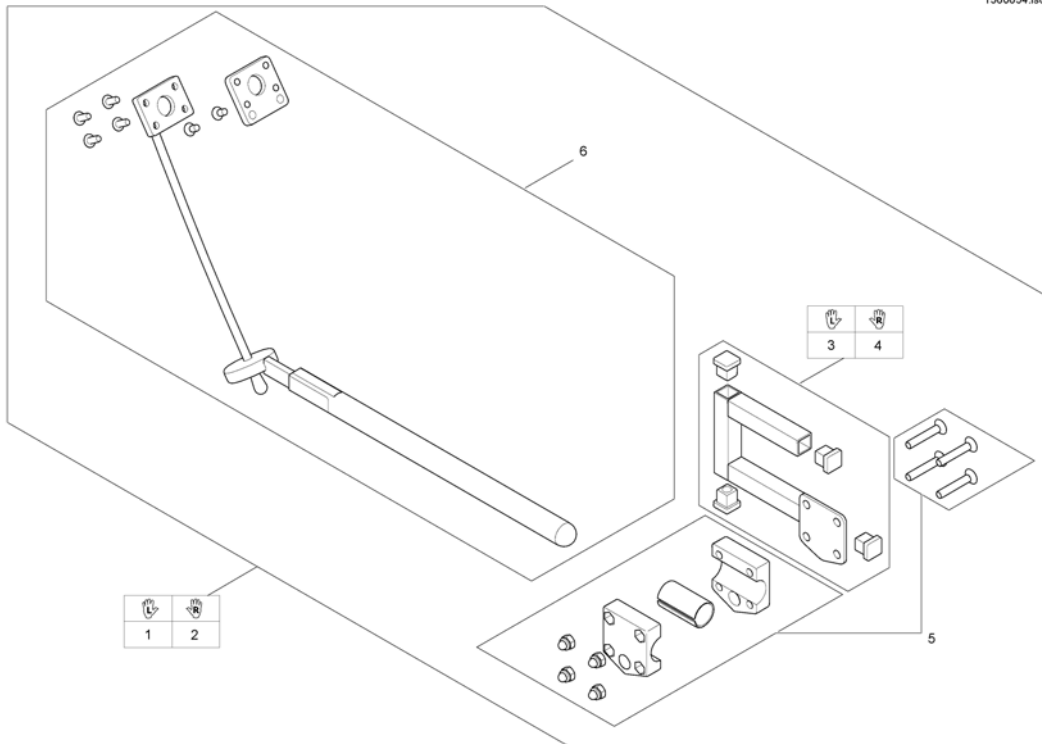
1560850 iso



Pos.	Part number	Description	Valid from → until	Qty
1	SP1505187	Remote Control G91S [1615]		1
2	-	Remote Bracket Standard [1615+1207/1208]		1

# Remote Bracket Standard

1560654.iso



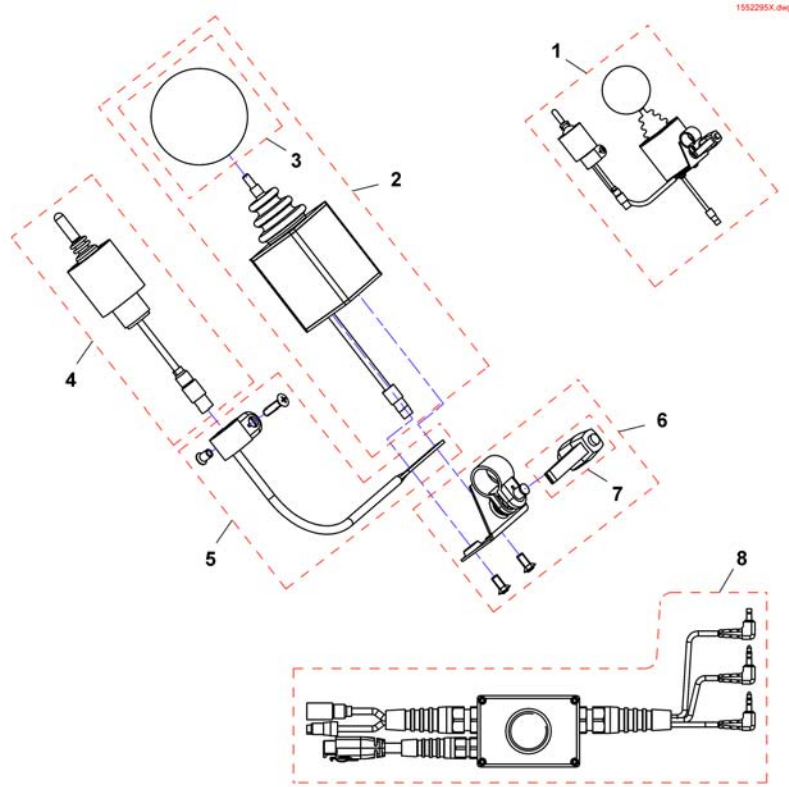
Pos.	Part number	Description	Valid from → until	Qty
1	SP1509718	Remote Bracket G91/G91S LH, cpl		1
2	SP1509690	Remote Bracket G91/G91S RH, cpl.		1
3	SP1509716	Adapter G91 LH		1
4	SP1509711	Adapter G91 RH		1
5	SP1527503	Gripper clamp cpl.		1
6	SP1527504	Swan neck remote bracket with adapter plate		1



**Small Chin Control with brackets**

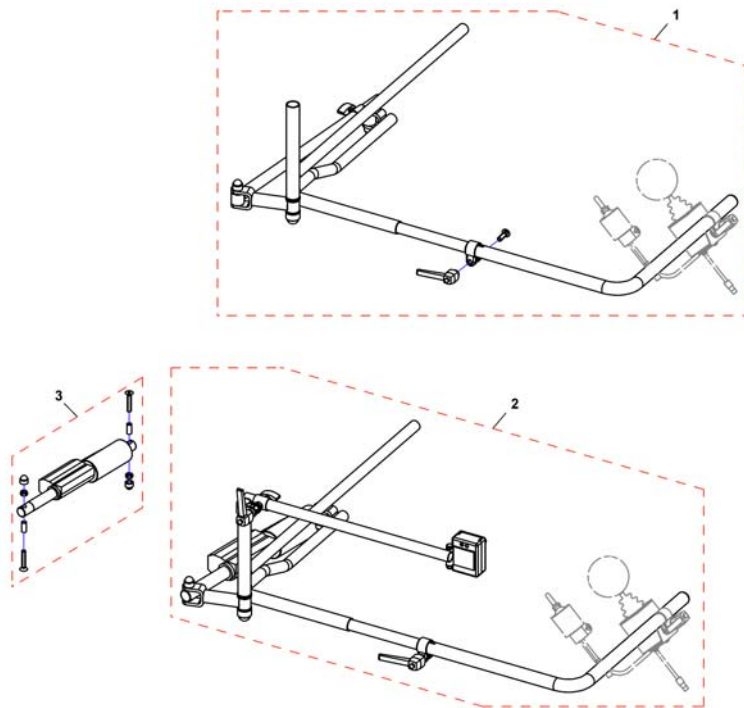
<b>Pos.</b>	<b>Part number</b>	<b>Description</b>	<b>Valid from → until</b>	<b>Qty</b>
-		Small Chincontrol		1
-		Framework for chincontrol		1

# Small Chincontrol



Pos.	Part number	Description	Valid from → until	Qty
1	1448705	Chin control REM24, cpl.		1
1	1421770	Chin control G80/G90, cpl.		1
1	SP1544255	Chin control G91, cpl.		1
2	Z183282	Joystick, kmpl.		1
3	Z183265	Foam control knob cpl.		1
4	1442943	Switchjoystick REM24, kmpl.		1
4	Z183283	Switchjoystick G80/G90, cpl.		1
4	SP1544250	Switchjoystick G91, kmpl.		1
5	SP1552294	Switchjoystick bracket		1
6	SP1552295	Joystick clamp		1
7	L32901	Clampinglever		1
8	SP1442944	Harness REM24		1
8	Z183275	Harness G80/G90		1
8	SP1541715	Harness G91		1

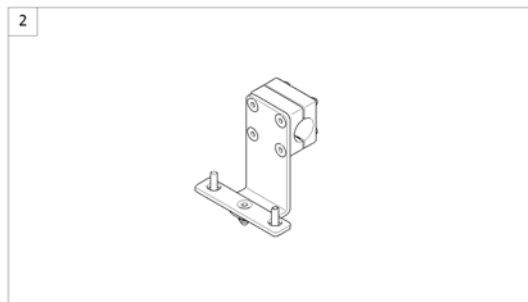
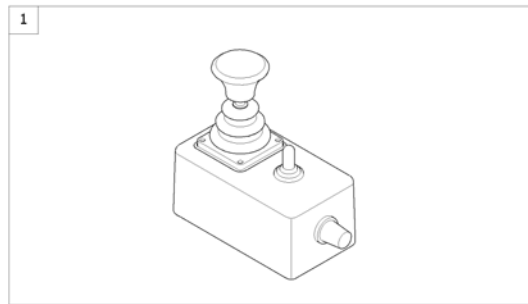
# Framework for chincontrol



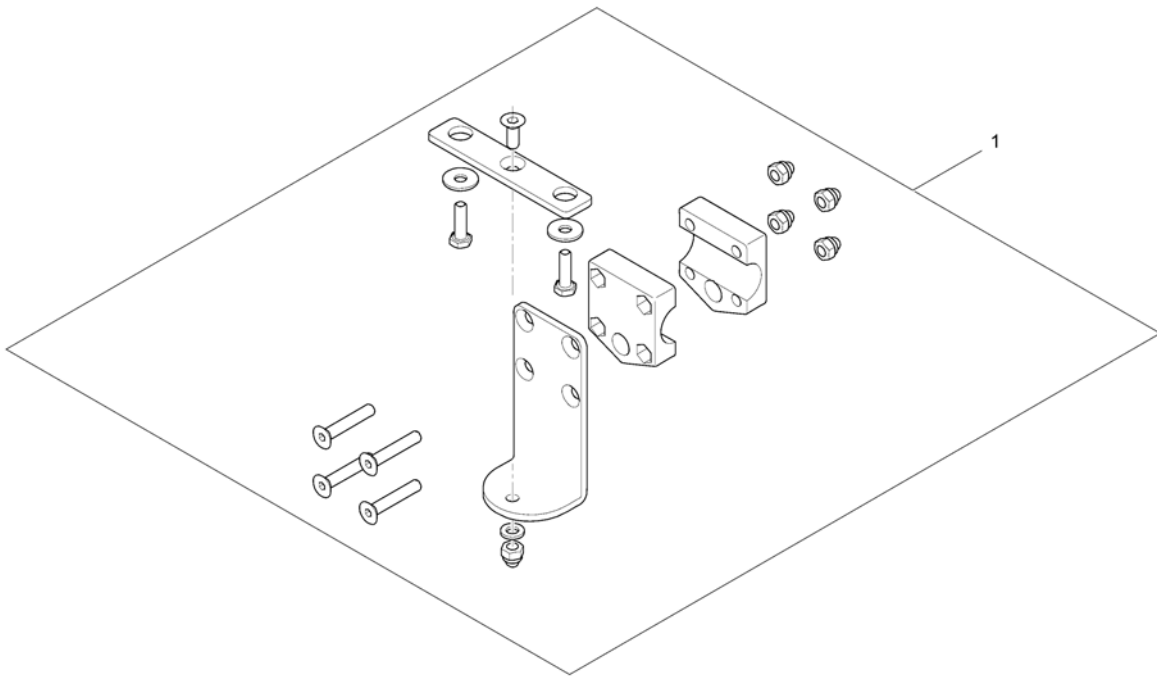
Pos.	Part number	Description	Valid from → until	Qty
-	Z167994	CHIN CONTROL SUPPORT . CPL. <i>Not shown / Nicht abgebildet / Non illustré</i>		1
1	SP1422943	Framework for chin control, manual, horizontal swing away, LH, cpl.		1
1	SP1422942	Framework for chin control, manual, horizontal swing away, RH, cpl.		1
2	SP1422945	Framework for chincontrol, powered, horizontal swing away, LH, cpl. <i>incl. Actuator</i>		1
2	SP1422944	Framework for chin control, powered, horizontal swing away, RH, cpl. <i>incl. Actuator</i>		1
-	SP1552335	Hardware, chin control, powered, horizontal swing away, LH <i>Not shown / Nicht abgebildet / Non illustré</i>		1
-	SP1552336	Hardware, chin control, powered, horizontal swing away, RH <i>Not shown / Nicht abgebildet / Non illustré</i>		1
-	SP1422946	Framework for chincontrol, powered, vertikal swing away <i>Not shown / Nicht abgebildet / Non illustré</i>		1
3	SP1552337	Actuator for horizontal swing away chin control, cpl.		1
3	SP1552418	Gestell für Kinnbedienung, elektrisch, vertikal abschwenkbar <i>Not shown / Nicht abgebildet / Non illustré</i>		1

## Dual Control with brackets

1562893 iso



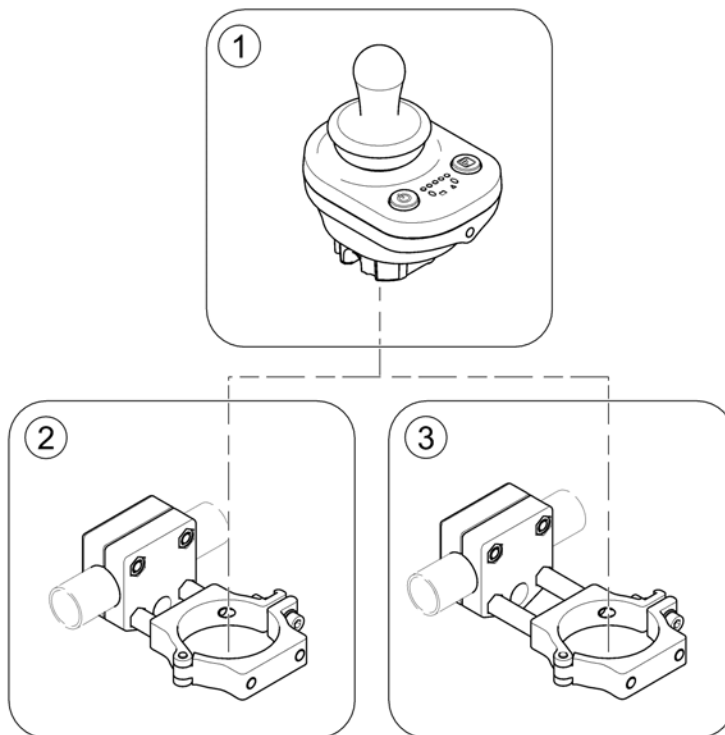
Pos.	Part number	Description	Valid from → until	Qty
1	6001425	ACS dual control [1291/1292]		1
2	-	Remote Bracket Dual Control [1291/1292]		1



Pos.	Part number	Description	Valid from → until	Qty
1	SP1422818	Remote Bracket Dual Control		1

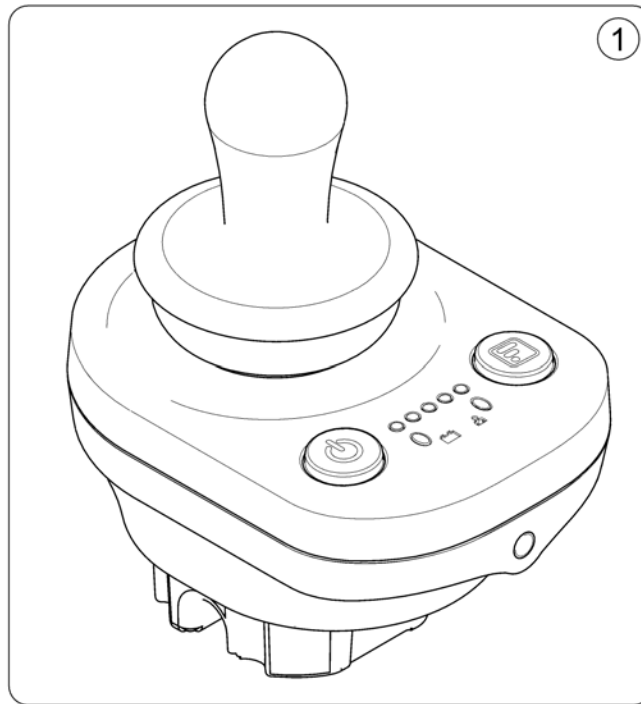
## Compact Dual Control with brackets

1588862.000



Pos.	Part number	Description	Valid from → until	Qty
1	-	Compact Dual Control		1
2	-	Bracket, Compact Dual Control - short		1
3	-	Bracket, Compact Dual Control - long		1

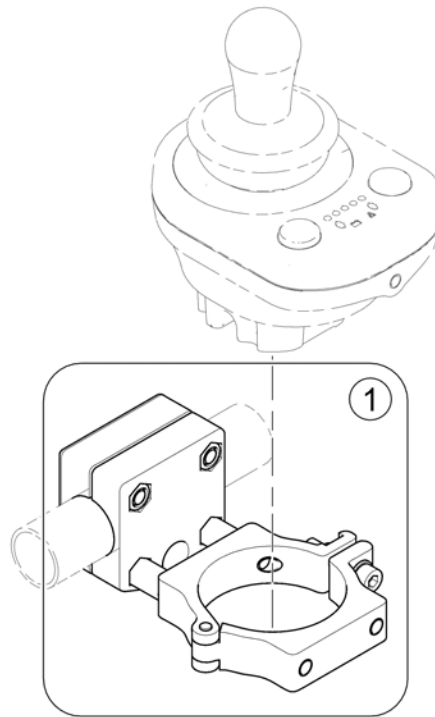
1586988\_000



Pos.	Part number	Description	Valid from → until	Qty
1	SP1586988	Remote DX2-ACU		1

# Bracket, Compact Dual Control - short

1588857.jpg

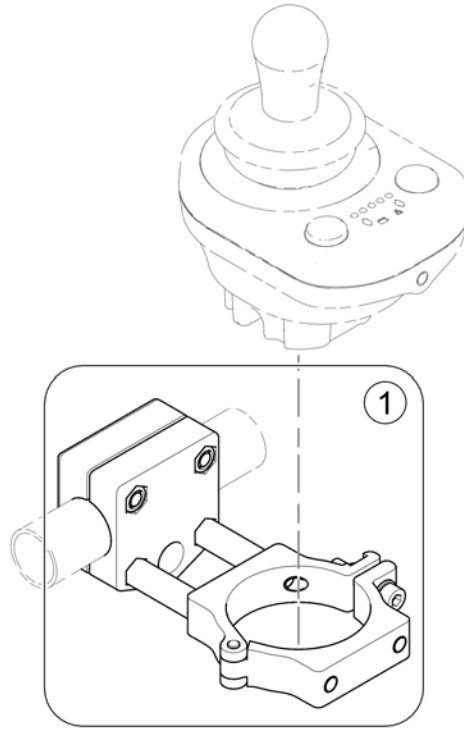


Pos.	Part number	Description	Valid from → until	Qty
1	SP1587904	Remote Attachment - short		1



# Bracket, Compact Dual Control - long

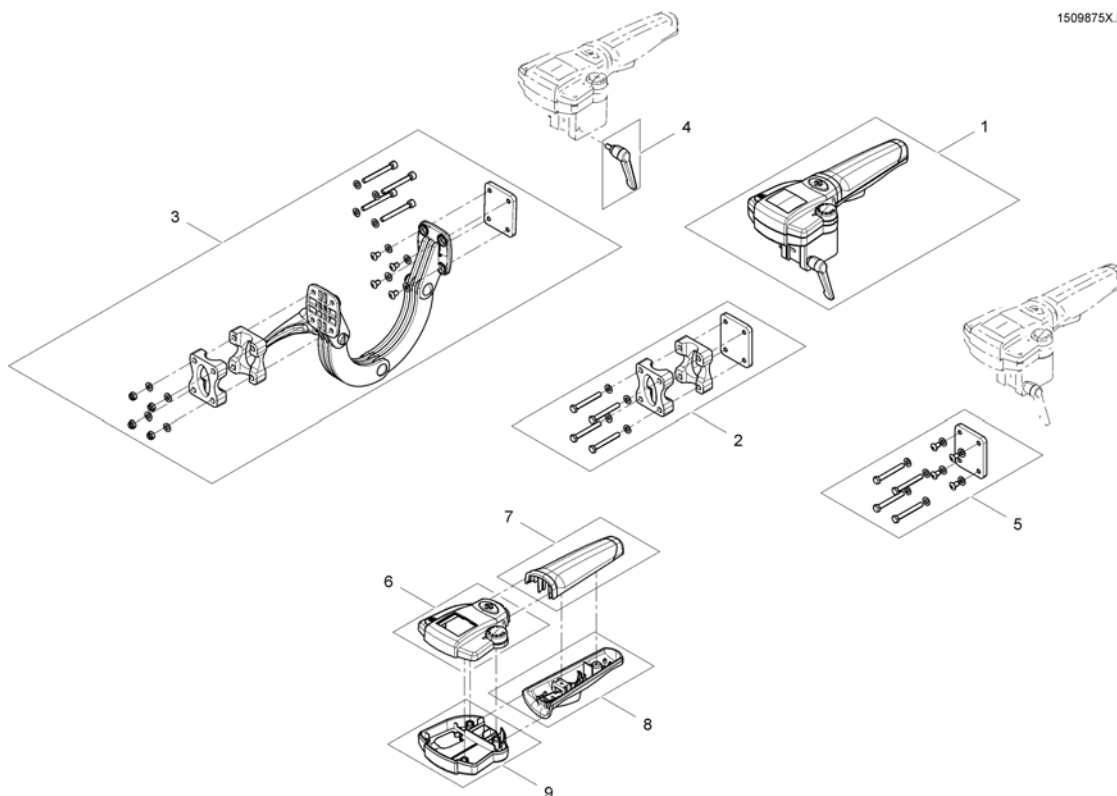
158856 iso



Pos.	Part number	Description	Valid from → until	Qty
1	SP1587119	Remote Attachment - long		1

# Intuitive Dual Control with brackets

1509875X.iso

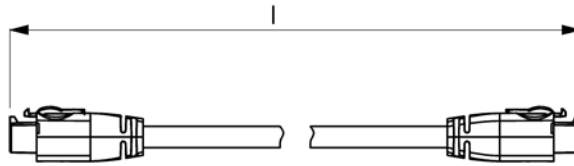


Pos.	Part number	Description	Valid from → until	Qty
1	SP1509875	Intuitiv Dual Control (IDC) <i>For chairs build before 01/02/10 please also order SP1537148</i>		1
2	SP1522310	Fixed bracket		1
3	SP1521488	Adjustable bracket		1
4	SP1510135	Clamp lever M5x10		1
5	SP1537148	Supportplate IDC for chairs before 01.02.10		1
6	SP1579573	Upper Housing		1
7	SP1511060	Handhold upper part		1
8	SP1511099	Handhold lower part		1
9	SP1510470	Housing lower part		1

Pos.	Part number	Description	Valid from → until	Qty
-		Bus-Cables ACS		1
-		T-Adapter ACS		1
-		Slow-stop-sensor & Holder		1
-		Programming Kits		1
-		Magnetkey for Remotes		1

# Bus-Cables ACS

ACSBUSKABEL.iso

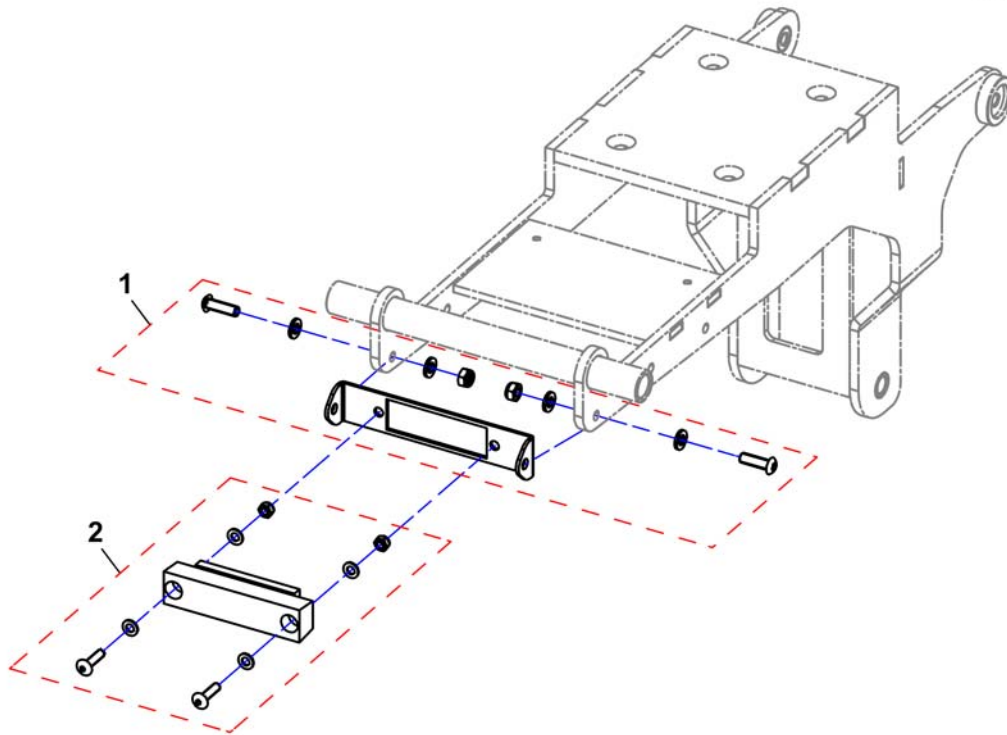


Position	length l [mm]
1	300
2	500
3	700
4	1100
5	1700
6	2000
7	2500
8	2700
9	1060

Pos.	Part number	Description	Valid from → until	Qty
1	GSM63003	Bus cable ACS, 300mm		1
2	SPGSM63005	Bus cable ACS, 500mm <i>Replace GSM63004</i>		1
3	GSM63007	Bus cable ACS 700mm		1
4	GSM63011	Bus cable ACS, 1100mm		1
5	1559862	Bus cable ACS, 1700mm <i>Replace GSM63016</i>		1
6	GSM63020	Bus cable ACS, 2000mm <i>Replace 1419386</i>		1
7	1440424	Bus cable ACS, 2500mm		1
8	SP1559873	Bus cable ACS, 2700mm <i>Replace GSM63026</i>		1
9	SP1550402	Extension cable ACS, 1060mm		1

# T-Adapter ACS

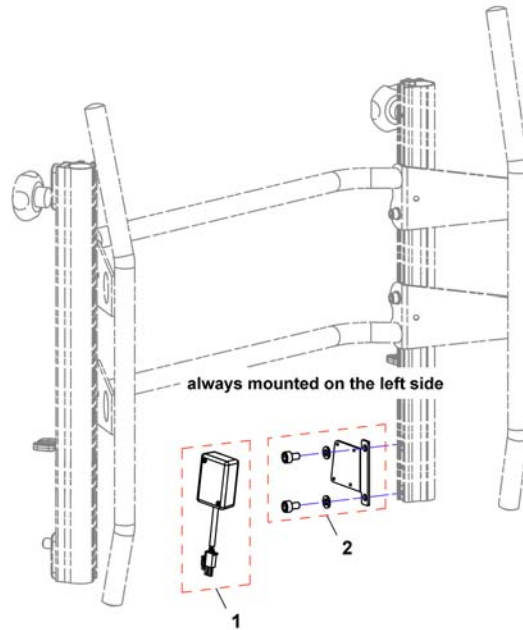
1534069X.dwg



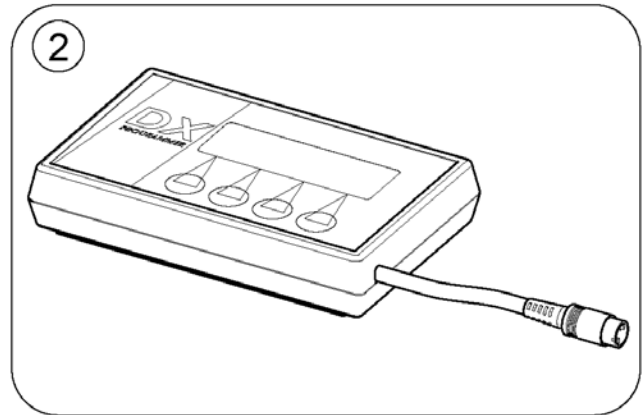
Pos.	Part number	Description	Valid from → until	Qty
-	GSM63003	Bus cable ACS, 300mm		1
1	SP1537966	Holder R-Net ACS		1
2	SP1537967	T-Adapter ACS		1

# Slow-stop-sensor & Holder

1546448X.dwg



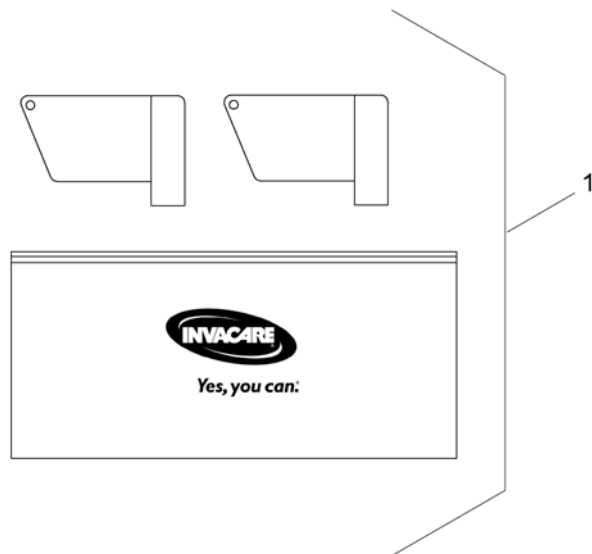
Pos.	Part number	Description	Valid from → until	Qty
1	SP1533662	Slow-stop-sensor, ACS2, cpl.		1
2	SP1546433	Slow-stop-sensor bracket		1



Pos.	Part number	Description	Valid from → until	Qty
1	1449280	USW wizard dongle kit, EDL-USW, cpl.		1
2	6001450	Hand Programmer, Instrucions In French, German, Spanish		1
	SP1441551	Programming Adapter Shark DK-ADAPT (necessary to program Shark)		1

# Magnetkey for Remotes

1564186.iso



Pos.	Part number	Description	Valid from → until	Qty
1	SP1419695	Magnet key with bag		1



# Batteries

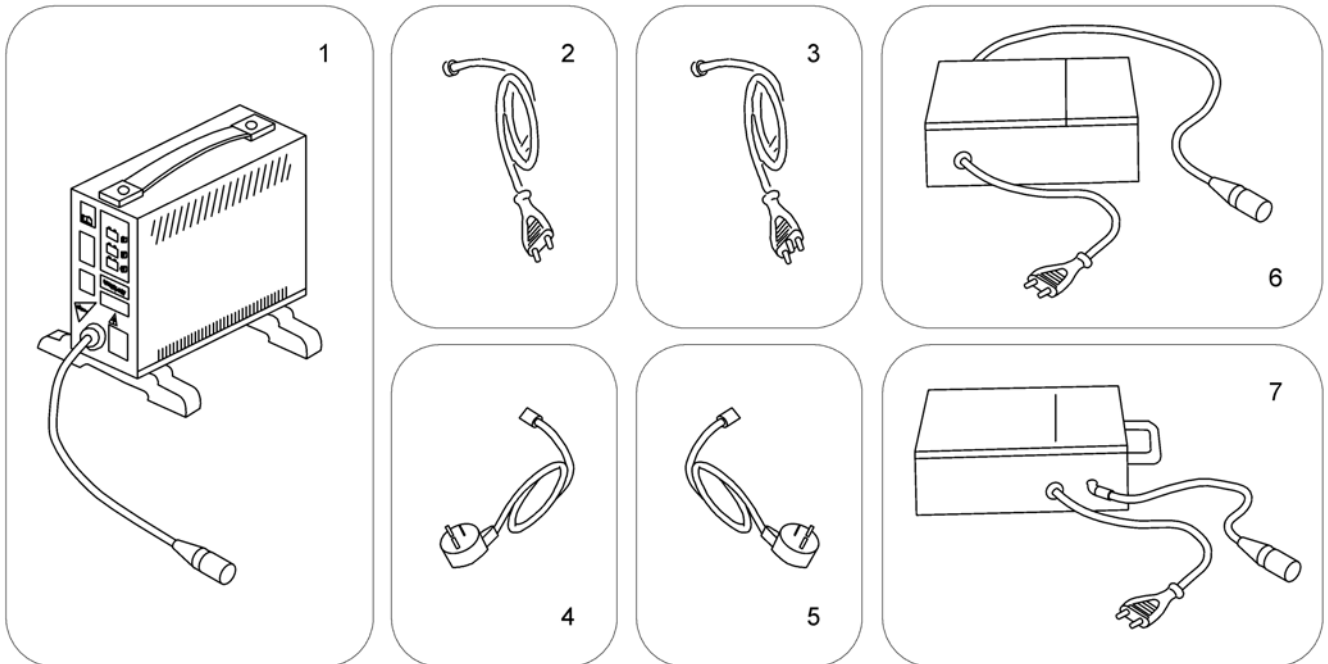
	Capacity [Ah]															
	1,2	12	30	31	32	36	38	40	40	50	50	50,9	60	73,6	75	97,6
Bora/SpectraXTR								8		10						
Dragon										10			13			
Dragon Vertic													13			
FDX													13			
G50													13	14		16
Kite													13	14		
Mirage				4				8								
Mistral3				4									12			
P9000XDT					5											
Pronto M41					5											
Pronto M61					5											
Spectra Blitz								8					12			
Spectra Comfort								7								
Spectra Plus								7								
Spectra Seat Riser								7								
Storm3										10			13	14		
Storm3 True Track	1													14		
Storm3 Vertic														14		
Storm4														14		
Storm4 Max														14		
Stream										10			13			
TDX-SP														14		
TDX-SP Narrow													12			
Tiger										10			13			
Topan													13			
Tornado								8								
Typhoon													13			
Typhoon GB	1												13			
Typhoon GB	1												13			
Zephyr	1												13			
Auriga			3					8		10						
Comet														14	15	
Leo						6			9							
Lynx		2														
Meteor														14		
Orion												11				
length [mm]	97	152	197	196	211	196	210	197	198	198	198	238	259	260	260	329
width [mm]	49	99	132	132	132	130	175	168	165	166	165	140	169	171	168	171
height [mm]	51	102	180	183	183	179	175	175	171	176	170	235	178	210	223	238
weight [kg]	0,6	3,9	11,1	10,5	11	12	14,6	14,4	14,2	14	16	17,1	19,3	24,3	26	32,5



Pos.	Part number	Description	Valid from → until	Qty
i	-	Change batteries only pairwise and from the same type!		1
1	1440386	Battery, 12V/1,2Ah C20, GEL		1
2	SP1506493	Battery 12V/12Ah AGM		1
3	P50021	Battery, 12V/30Ah C20, GEL		1
4	P50029	Battery, 12V/31Ah C20, GEL		1
5	SP1521459	Battery, 12V/34Ah C20, AGM		1
6	1505498	Battery, 12V/36Ah C20, AGM		1
7	P50028	Battery, 12V/38Ah C20, GEL (UK & DK only)		1
8	PG50988	Battery, 12V/40Ah C20, GEL		1
9	SP1550692	Battery, 12V/40Ah C20, AGM		1
10	SP1522107	Battery, 12V/50Ah C20, AGM		1
11	SP1521695	Battery, 12V/50Ah C20 AGM		1
12	PG50989	Battery, 12V/50,9Ah C20, GEL		1
13	1432944	Battery, 12V/60Ah C20, GEL		1
14	P50016	Battery, 12V/73,6 Ah C20, Gel		1
15	SP1522026	Battery, 12V/75Ah C20, AGM		1
16	1478675	Battery, 12V/97,6Ah C20, GEL		1

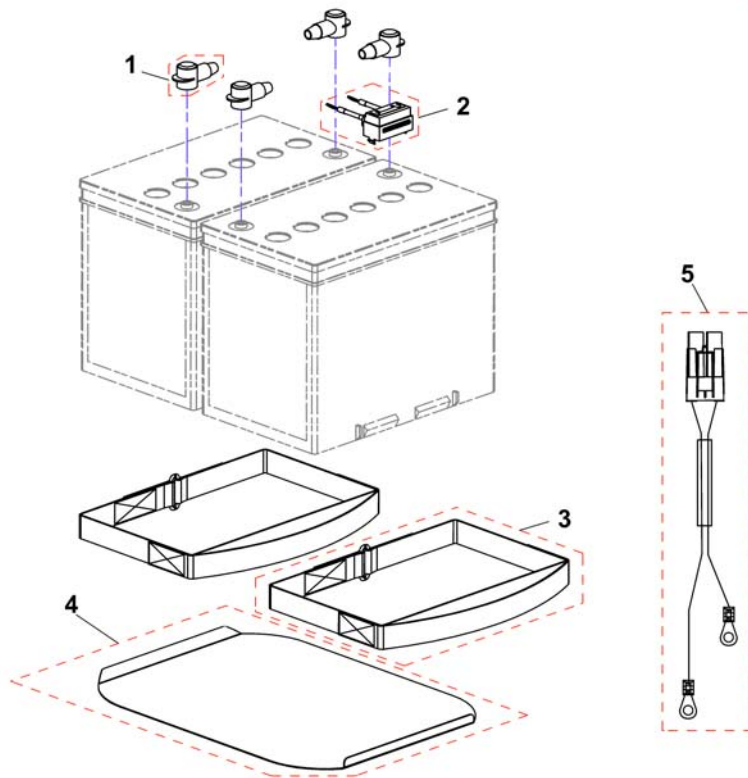
# Chargers

1589799.iso



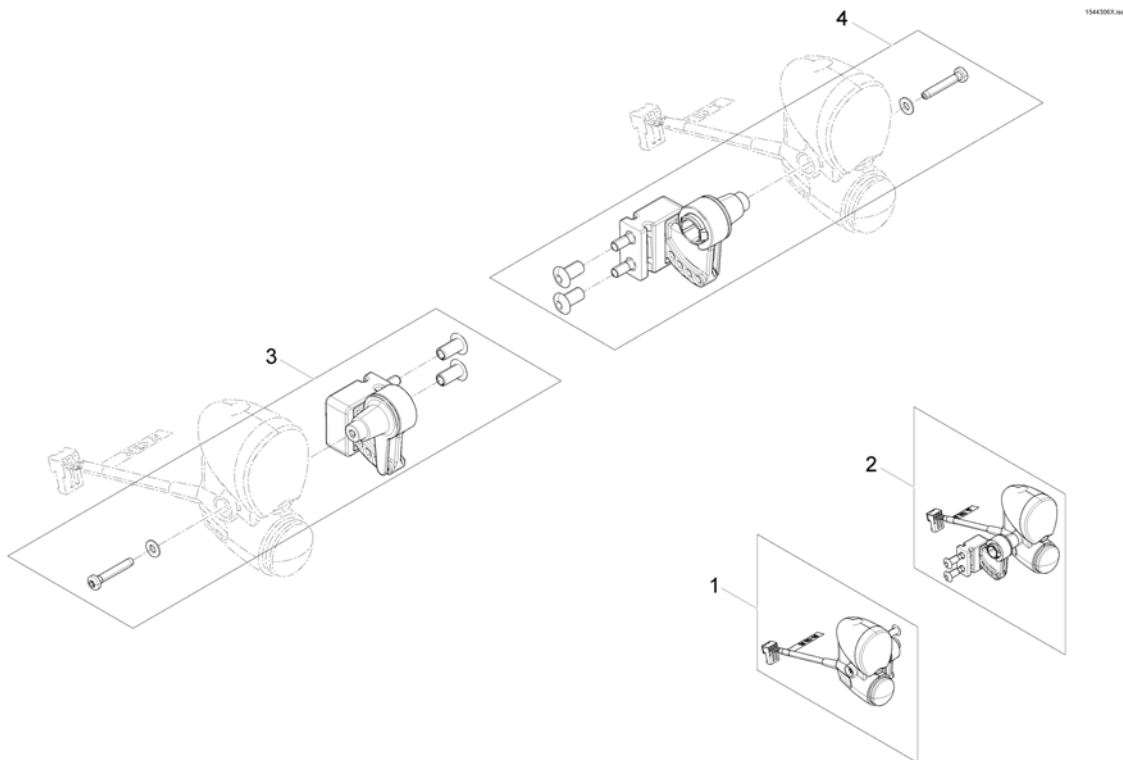
Pos.	Part number	Description	Valid from → until	Qty
1	SPP51981	Charger 8A without Power Cord <i>[1343]</i>		1
2	P21079	Power Cord Continental (Schuko GCB-0401)		1
3	P21080	Power Cord UK (GCB-0403)		1
4	1443841	Power Cord Swiss (black 6A/250V)		1
5	SP1553849	Power Cord Israel (IEC 320 C13 to SI-32)		1
6	SP1545511	Charger 10A incl. Power Cord Continental <i>[1389]</i>		1
7	5813987	Charger 8A (Protectionclass IP54) incl. Power Cord Continental (Sweden only) <i>[1388]</i>		1

## Battery support



Pos.	Part number	Description	Valid from → until	Qty
1	P52996	Battery terminal cover		1
2	SP1525580	Fuse cable		1
3	SP1518073	Battery strap		1
4	SP1524214	Battery carrier sheet		1
5	SP1524666	Battery cable		1

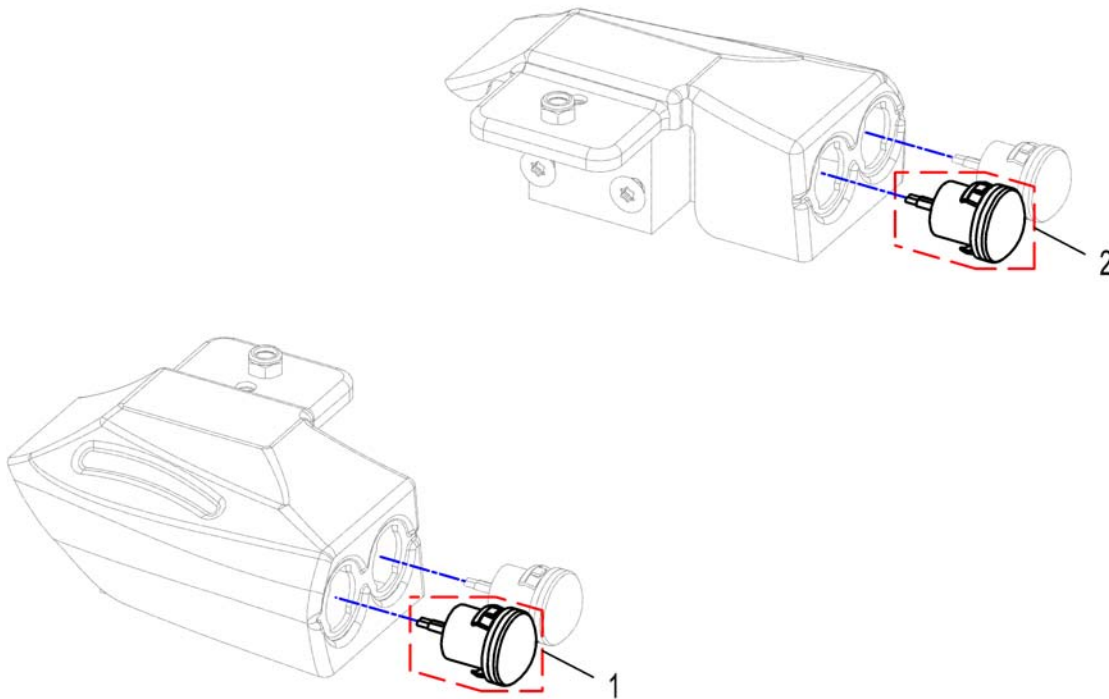
# LED-Frontlight



Pos.	Part number	Description	Valid from → until	Qty
1	SP1544306	Front light RH		1
2	SP1544307	Front light LH		1
3	SP1560653	Frontlight bracket LH		1
4	SP1562296	Frontlight bracket RH		1

# LED-Rearlight

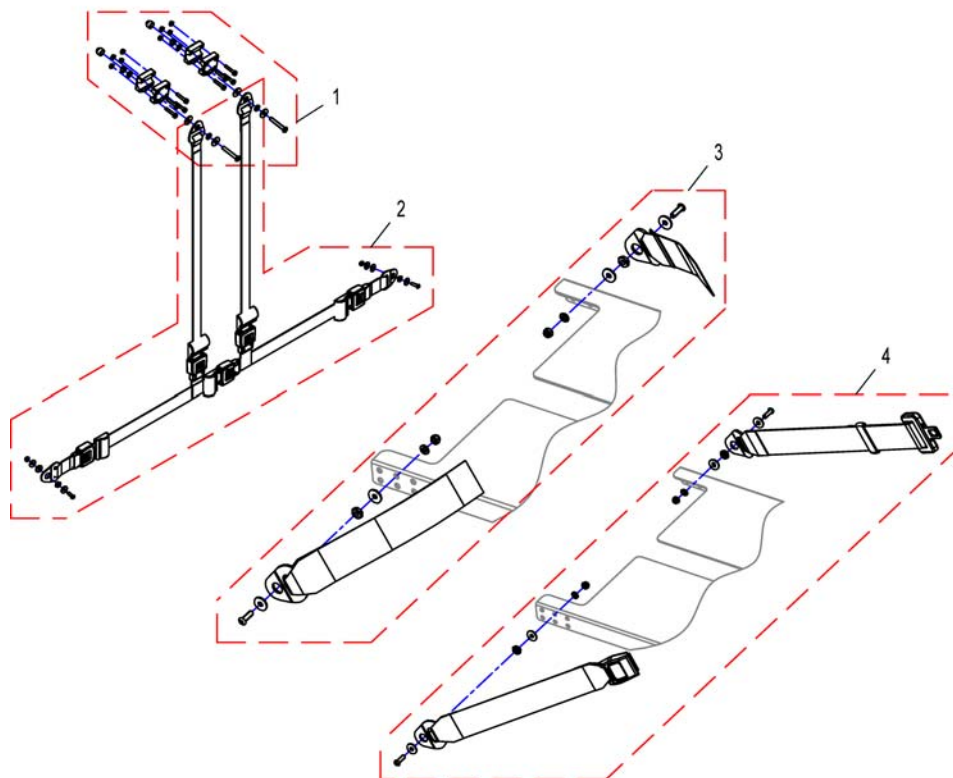
15Z914/X.DWG



Pos.	Part number	Description	Valid from → until	Qty
-	SP1529712	Rear light LED-Cable		1
1	SP1530287	Turn indicator		1
2	SP1530288	Rear light		1

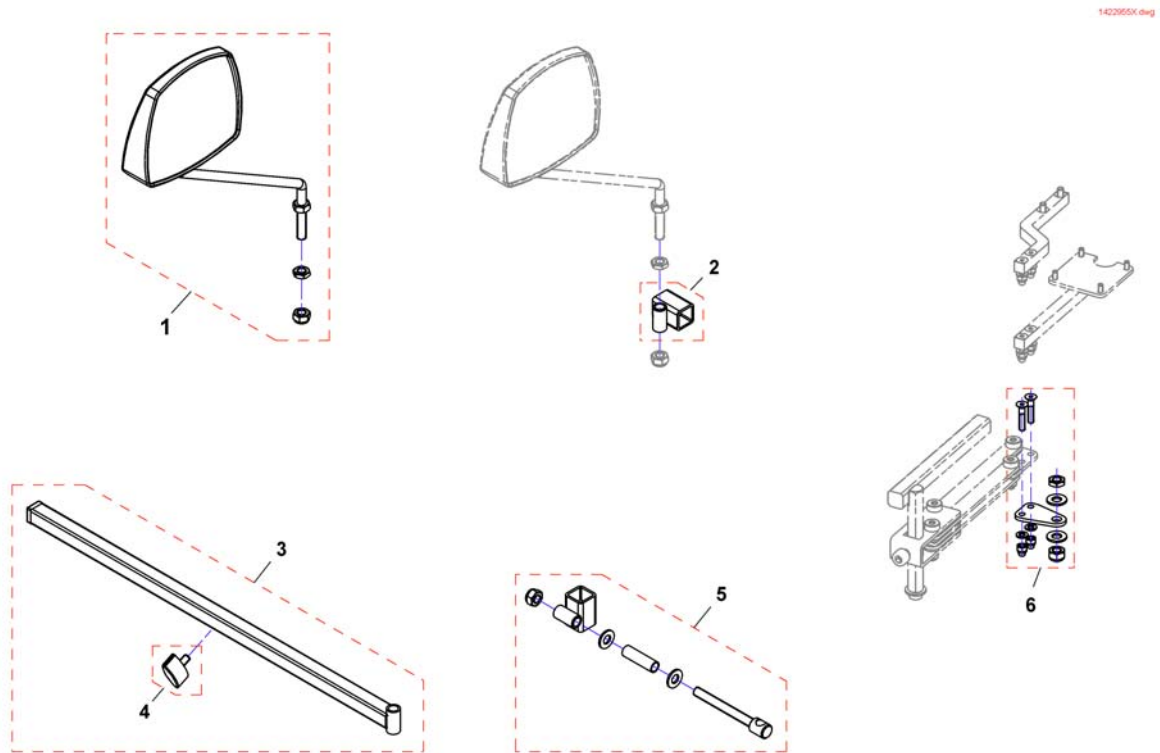
# Lap Belts / H-Belt

1529460X.dwg



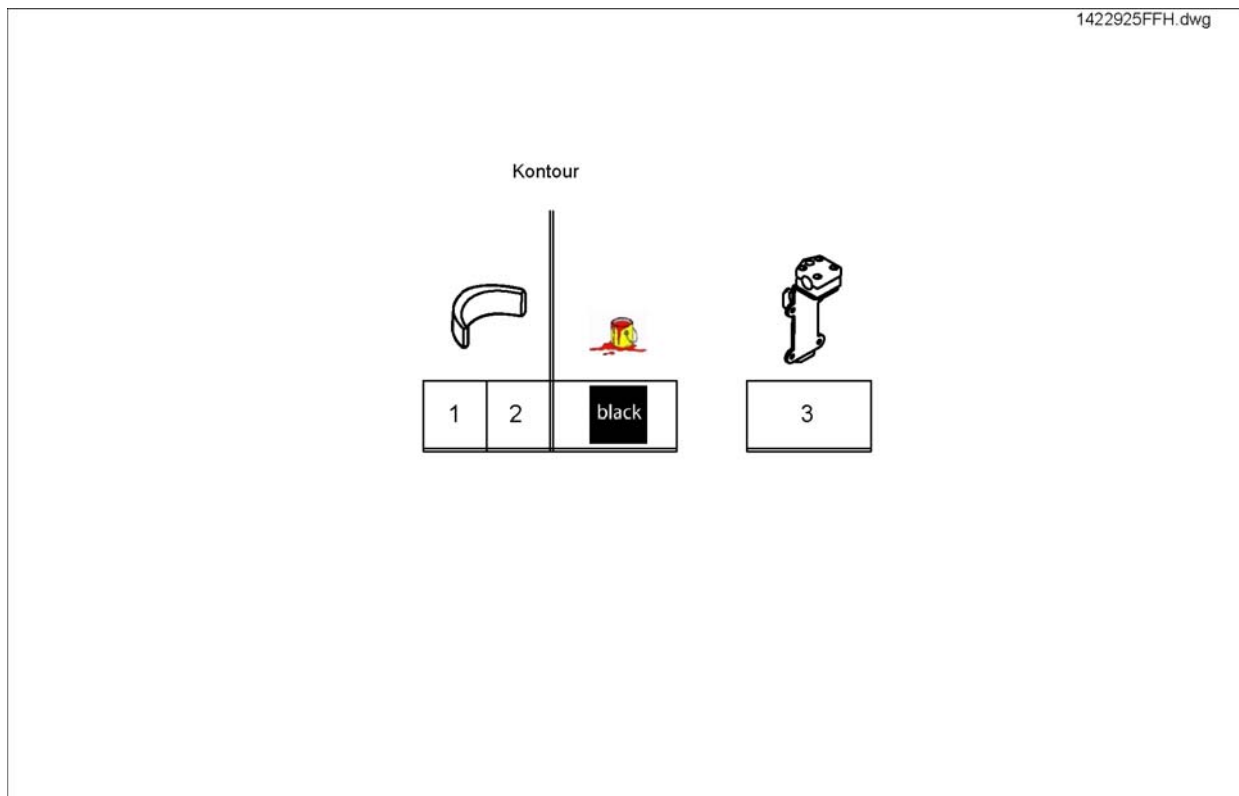
Pos.	Part number	Description	Valid from → until	Qty
1	SP1530575	Mounting-Kit H-Belt		1
2	SP1530576	H-Belt		1
3	SP1529460	Lap Belt Velcro, cpl.		1
4	SP1529461	Lap Belt Autolock, cpl.		1

## Rearview Mirror



Pos.	Part number	Description	Valid from → until	Qty
1	SP1422955	Rear Mirror		1
2	F276005.00	Mirror bracket		1
3	SP1423435	Rear Mirror Support Rail cpl.		1
4	L31001	Wing ScREW M6X10		1
5	SP1422957	Mirror bracket		1
6	SP1527151	Adapter to mount mirror and remote at the same side		1

## Headrest & Bracket

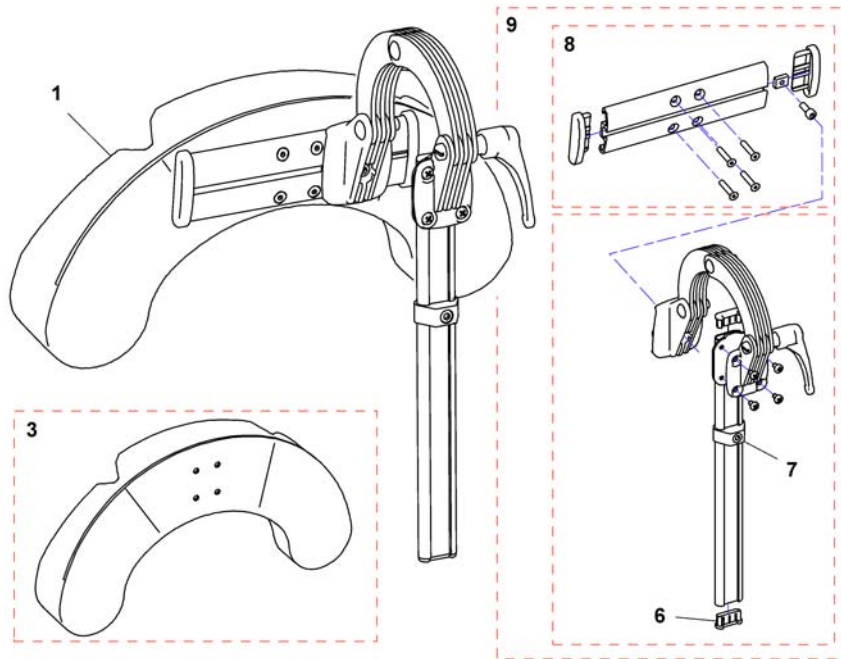


Pos.	Part number	Description	Valid from → until	Qty
1	SP1422925	Headrest, standard/contour seat, black, complete		1
2	SP1422865	Headrest cushion contour black, without bracket		1
3	SP1422914	Head-/Neckrest Bracket, cpl.		1



# Headrest with cheek support

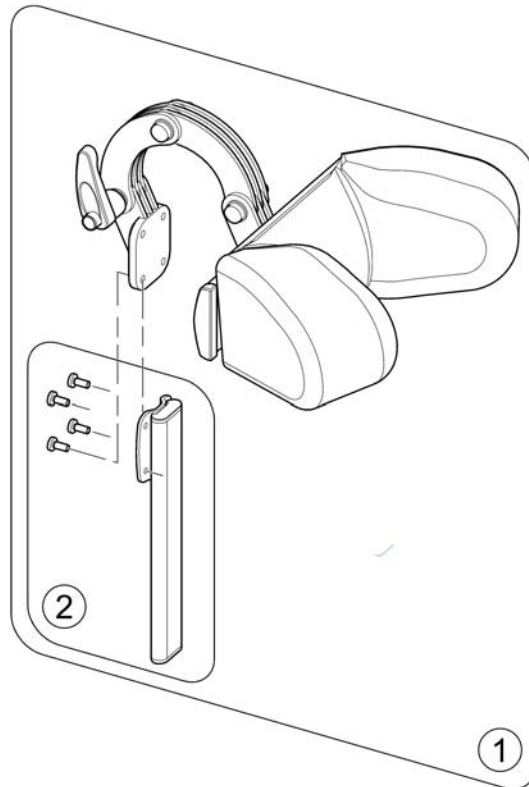
1448560X.dwg



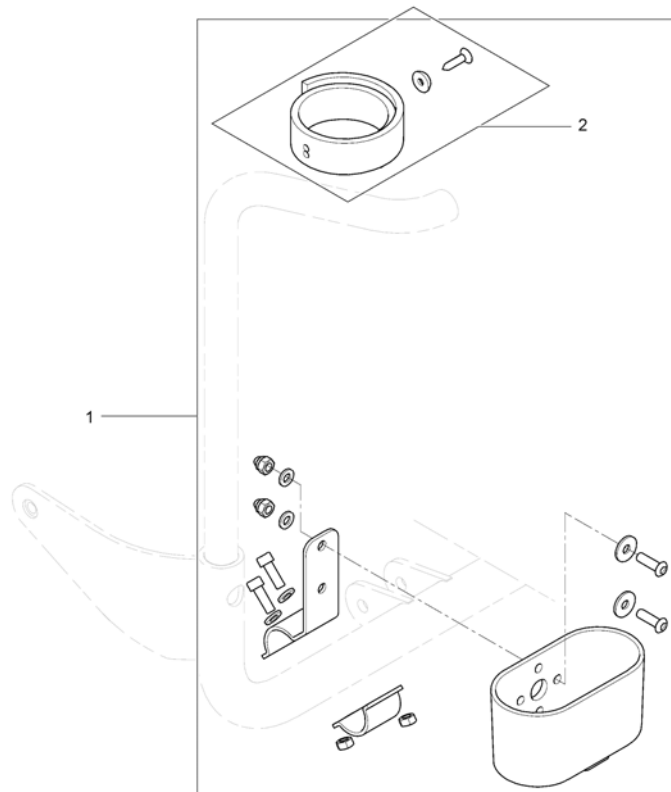
Pos.	Part number	Description	Valid from → until	Qty
1	1446560	Cheek Support, Sidewise Adj.		1
1	SP1541658	Head/cheek support TR26 cpl. sidewise adjustable EasyAdapt		1
3	1444304	CUSHION, CHEEK SUPPORT		1
5	SP1529572	Headrest holder for EasyAdapt		1
6	5716497	Plug IPO "special"		1
7	1448661	STOP CPL., NECK- & HEADREST		1
8	1445838	Rail head support		1
9	1485538	KIT, HEADREST ATTACHMENT		1

## Headrest, sidewise adjustable

1530911X.no



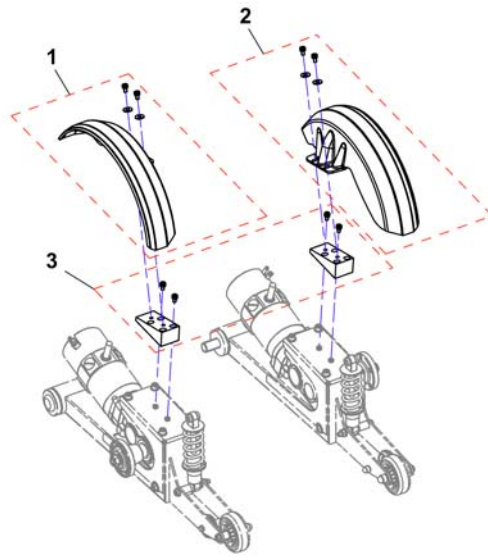
Pos.	Part number	Description	Valid from → until	Qty
1	SP1541657	Headrest, sidewise adjustable, cpl. - for EasyAdapt		1
2	SP1530567	Holder, cpl.		1



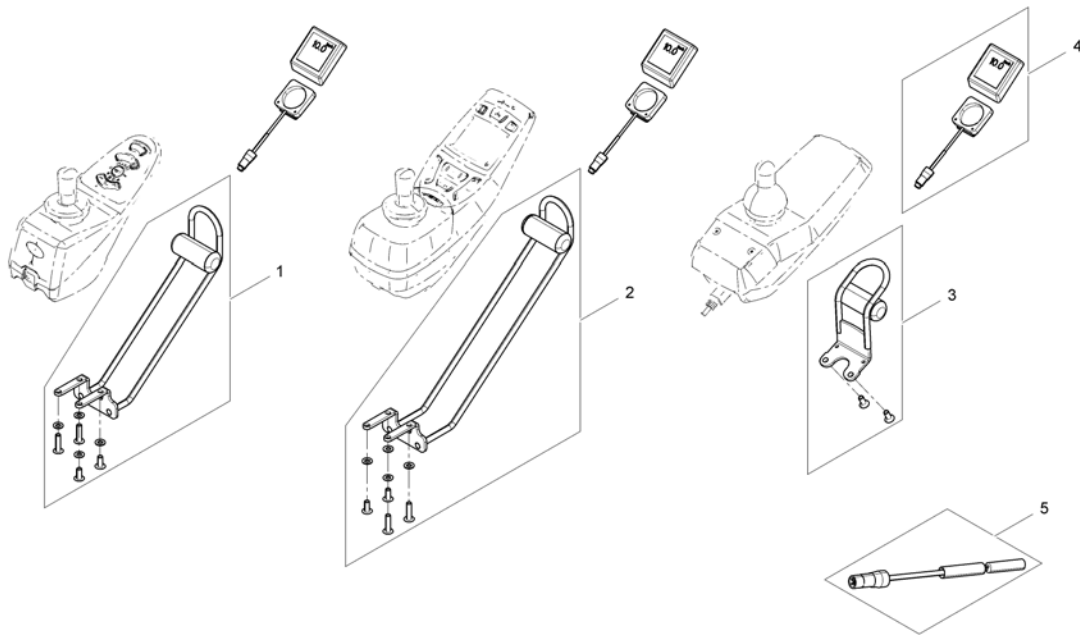
Pos.	Part number	Description	Valid from → until	Qty
1	SP1543078	Caneholder, cpl.		1
2	SP1420493	Belt for caneholder		1

# Fender for Drive Wheel

154805X.png



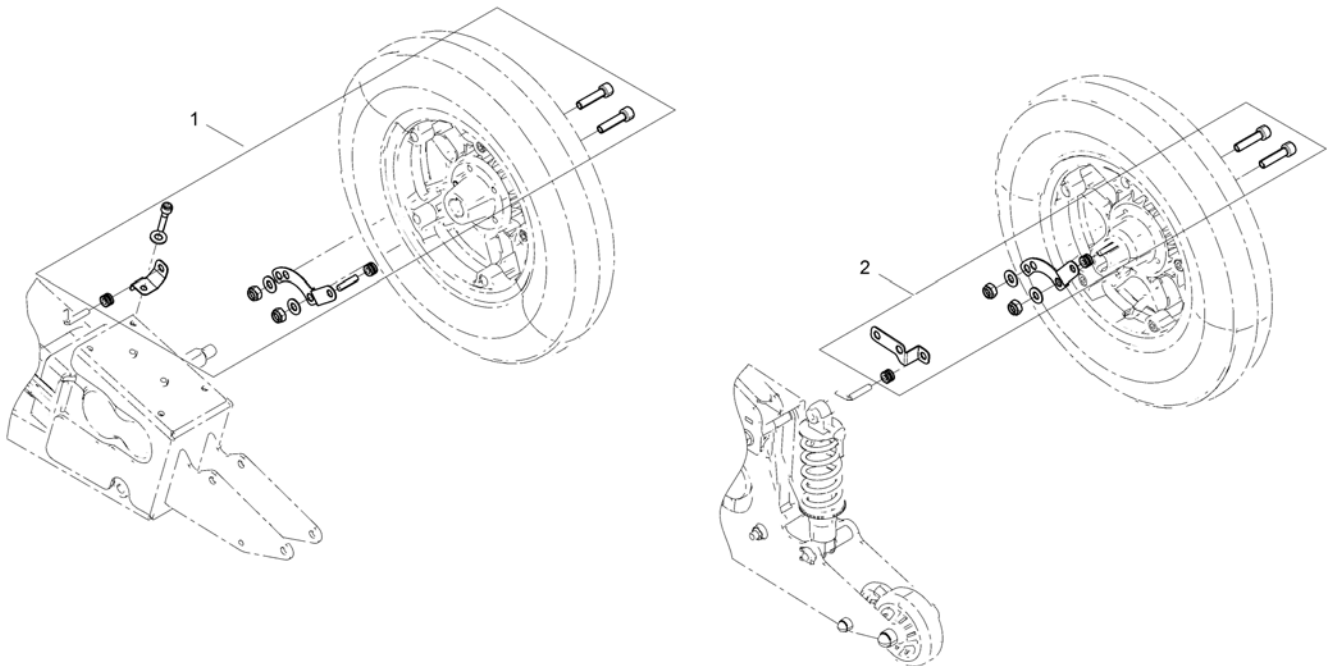
Pos.	Part number	Description	Valid from → until	Qty
1	SP1533975	Mudguard, cpl., RH		1
2	SP1533976	Mudguard, cpl., LH		1
3	SP1548538	Mudguard adapter		1



Pos.	Part number	Description	Valid from → until	Qty
1	SP1530563	Speedometer holder REM A & REM B		1
2	SP1530564	Speedometer holder REM 550		1
3	SP1546263	Speedometer holder REM24		1
4	Z183259	Speedometer		1
5	1421733	Reed-sensor cable l=2500mm		1

# Mounting-kit km-Counter

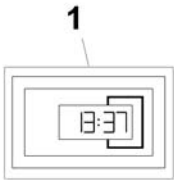
1540353X.iso



Pos.	Part number	Description	Valid from → until	Qty
1	SP1548705	Mounting-kit Speedometer sensor		1
2	SP1540353	Mounting-kit Speedometer sensor SSD-motors		1

# Hour Counter

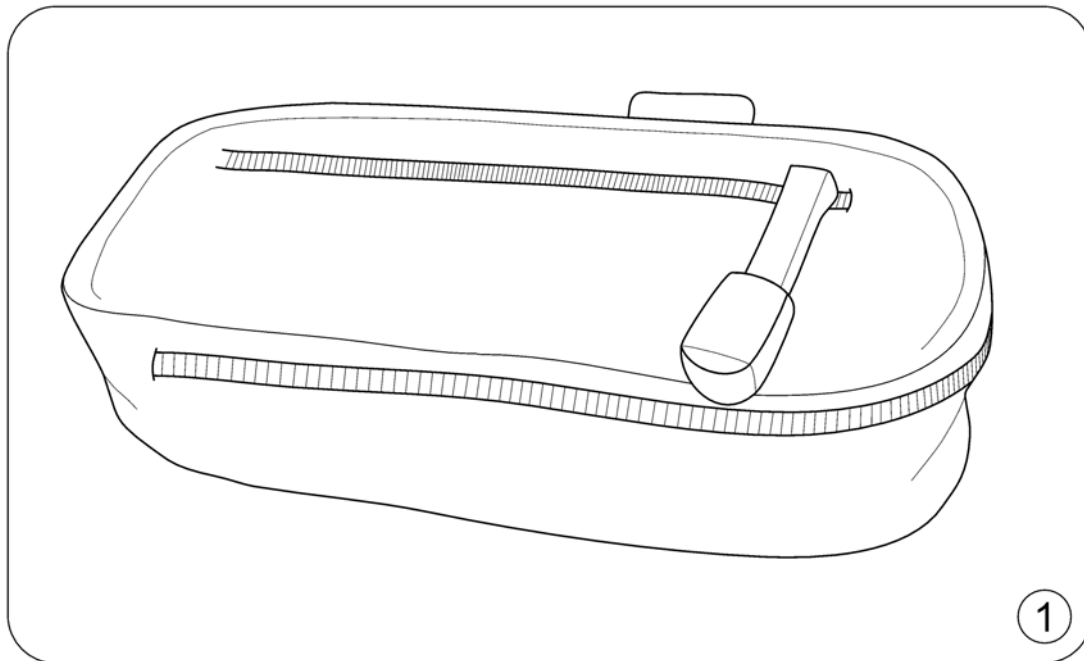
1567259.iso



Pos.	Part number	Description	Valid from → until	Qty
1	SP1530275	Hour counter		1

# KLICKfix® bag

1562500 iso

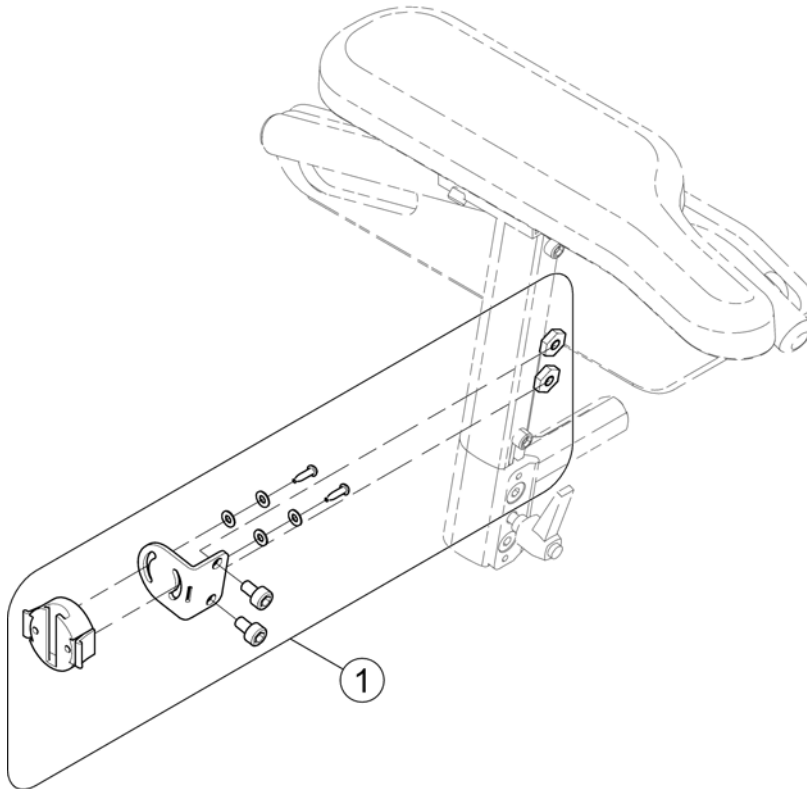


Pos.	Part number	Description	Valid from → until	Qty
1	SP1557532	KLICKfix® bag		1



# KLICKfix® bracket for Fixed Armrest

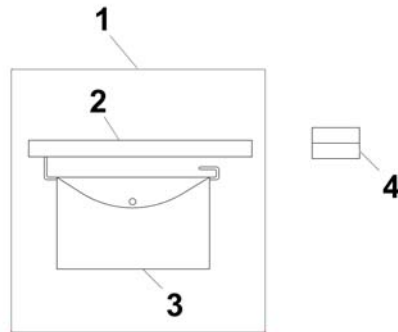
1562515.iss



Pos.	Part number	Description	Valid from → until	Qty
1	SP1554320	KLICKfix bracket		1

# Bag

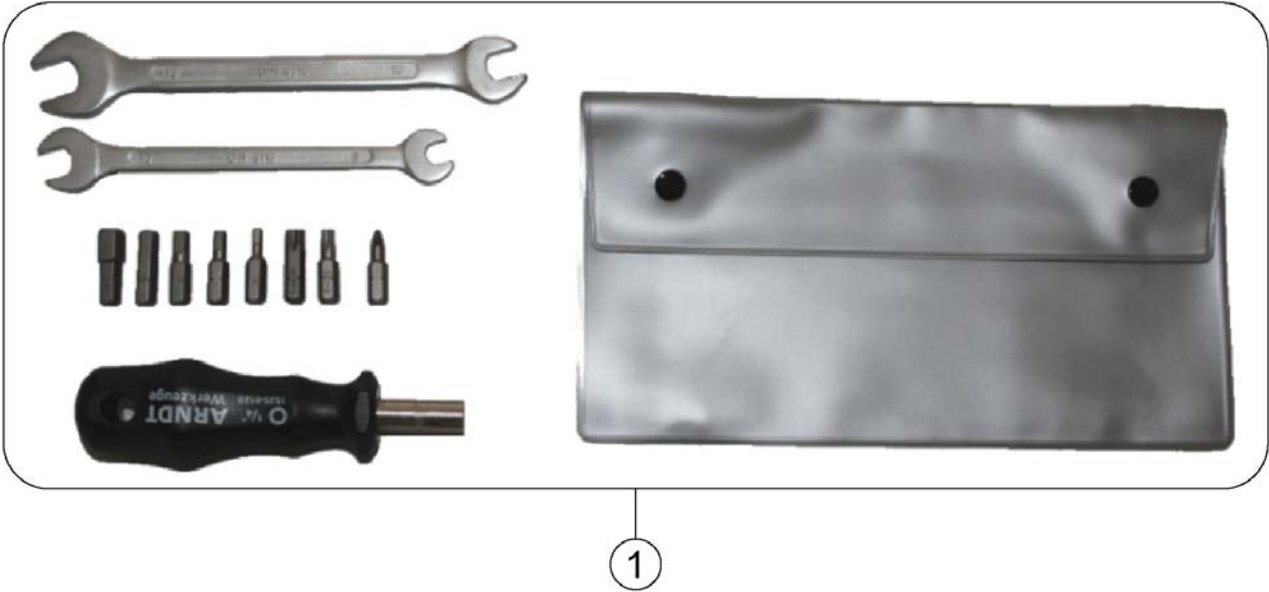
1567256 iso



Pos.	Part number	Description	Valid from → until	Qty
1	SP1430417	Bag for side panel, cpl. LH		1
2	SP1430855	Holder for armrest bag		1
3	SP5314967	Bag for armrest		1
4	F370032-9005	Holder for side part with mirror/brake RAL 9		1

# Toolkit

1567260.110



Pos.	Part number	Description	Valid from → until	Qty
1	SP1422868	Toolkit with bag		1



Yes, you can.®



---

**Belgium & Luxemburg:**

Invacare nv, Autobaan 22, B-8210 Loppem  
Tel: (32) (0)50 83 10 10, Fax: (32) (0)50 83 10 11  
belgium@invacare.com / www.invacare.be

**Denmark:**

Invacare A/S, Sdr. Ringvej 37, DK-2605 Brøndby  
Tel: (45) (0)36 90 00 00, Fax: (45) (0)36 90 00 01  
denmark@invacare.com / www.invacare.dk

**Deutschland:**

Invacare Aquatec GmbH, Alemannenstraße 10, D-88316 Isny  
Tel: (49) (0)75 62 7 00 0, Fax: (49) (0)75 62 7 00 66  
info@invacare-aquatec.com / www.invacare-aquatec.de

**European Distributor Organisation:**

Invacare, Kleiststraße 49, D-32457 Porta Westfalica  
Tel: (49) (0)57 31 754 540, Fax: (49) (0)57 31 754 541  
edo@invacare.com / www.invacare.eu.com

**España:**

Invacare SA, c/Areny s/n, Polígon Industrial de Celrà, E-17460 Celrà (Girona)  
Tel: (34) (0)972 49 32 00, Fax: (34) (0)972 49 32 20  
contactsp@invacare.com / www.invacare.es

**France:**

Invacare Poirier SAS, Route de St Roch, F-37230 Fondettes  
Tel: (33) (0)2 47 62 64 66, Fax: (33) (0)2 47 42 12 24  
contactfr@invacare.com / www.invacare.fr

**Ireland:**

Invacare Ireland Ltd, Unit 5 Seatown Business Campus, Seatown Road, Swords, County Dublin - Ireland  
Tel: (353) 1 810 7084, Fax: (353) 1 810 7085  
ireland@invacare.com / www.invacare.ie

**Italia:**

Invacare Mecc San s.r.l., Via dei Pini 62, I-36016 Thiene (VI)  
Tel: (39) 0445 38 00 59, Fax: (39) 0445 38 00 34  
italia@invacare.com / www.invacare.it

**Nederland:**

Invacare BV, Celsiusstraat 46, NL-6716 BZ Ede  
Tel: (31) (0)318 695 757, Fax: (31) (0)318 695 758  
nederland@invacare.com, csede@invacare.com / www.invacare.nl

**Norge:**

Invacare AS, Grensesvingen 9, Postboks 6230, Etterstad, N-0603 Oslo  
Tel: (47) (0)22 57 95 00, Fax: (47) (0)22 57 95 01  
norway@invacare.com, island@invacare.com / www.invacare.no

**Österreich:**

Invacare Austria GmbH, Herzog Odilostrasse 101, A-5310 Mondsee  
Tel: (43) 6232 5535 0, Fax: (43) 6232 5535 4  
info-austria@invacare.com / www.invacare.at

**Portugal:**

Invacare Lda, Rua Estrada Velha, 949, P-4465-784 Leça do Balio  
Tel: (351) (0)225 1059 46/47, Fax: (351) (0)225 1057 39  
portugal@invacare.com / www.invacare.pt

**Sverige & Suomi:**

Invacare AB, Fagerstagatan 9, S-163 91 Spånga  
Tel: (46) (0)8 761 70 90, Fax: (46) (0)8 761 81 08  
sweden@invacare.com, finland@invacare.com / www.invacare.se

**Switzerland:**

Invacare AG, Benkenstrasse 260, CH-4108 Witterswil  
Tel: (41) (0)61 487 70 80, Fax: (41) (0)61 487 70 81  
switzerland@invacare.com / www.invacare.ch

**United Kingdom:**

Invacare Limited, Pencoed Technology Park, Pencoed, Bridgend CF35 5AQ  
Switchboard Tel: (44) (0)1656 776200, Fax: (44) (0)1656 776201  
Customer services Tel: (44) (0)1656 776222, Fax: (44) (0)1656 776220  
uk@invacare.com / www.invacare.co.uk