

Spare Parts Catalogue

Version: 2016/05/03a EN



rea *Spirea*⁴ *NG*



Yes, you can.®

General Information

For any order of spare parts the following information is required:

- Product type*
- Product name & model*
- Serial Number*
- Part-Number*
- Part-Description*

Exploded view drawings and code numbers are not contractual and subject to modification, in relation to Invacare® continuous product improvement policy to meet end users needs.

The reproduction or use of this work, or of any substantial part of this work, in any form or by any electronic, mechanical or other means, including photocopying, scanning and recording, and in any information storage and retrieval system, including electronic transmission, is forbidden without the prior written permission of Invacare® International Sarl.



Yes, you can.[®]

TABLE OF CONTENTS

Chassis

Chassis	5
Folding system	6
Rearwheel attachm. Standard/Passiv	7
Rearwheel attachm. Active/Amputee	8
Rearwheel attachm. 16 wheel"	9
Castor attachment	10

Seat

Seat, sling, depth adj.	11
Seat, tension adj.	12
Seat cushion	13

Backrest

Backrest fixed	15
Backrest angular adj.	16
Backrest attachment, biangular	17
Backrest, tension adj., gas spring	18
Backrest upholstery, fixed	19
Backrest upholstery, tension adjustable	20
Push handles, external	21
Backrest stay	22

Legrests

Legrest 80° Alu2003, Fixed	23
Legrest 90° Alu2003, Fixed	24
Legrest AA	25
Calf strap, Alu2003 legrest	26
Calf strap, soft	27
Amputee legrest	28
Counter weight, amputee legrest	29
Plaster legrest	30

Footrests

Footrest, Fixed	31
Footrest, AA, Alu2003	32
Footrest 90°, Alu2003	34
Heel strap	35
Extender, footplate	36
Footrest one piece 80°	37
Footrest one piece 90°	38
Footplate cover	39

Siderests

Armrest Rio, Height Adj.	40
Armrest Comfort, Height Adj.	41
Armrest, hemiplegic	42
Armrest attachment	43



Yes, you can.®

TABLE OF CONTENTS

Front Wheels

Castor	44
--------------	----

Rear Wheels

Wheels 16"	45
Wheel 16" (=> 2010.11)	46
Wheel 24-22-20"	47
Handrim Stainless Cpl, 24" Wheel, Std2010	49
Wheel 24-22" DB	50
Handrim Stainless Cpl, 24" Wheel, Std2010	49
Wheels 24" Basic	52
Wheels 24" Basic DB	53

Brakes

Push to lock brake	54
Push to lock brake, extended	55
One arm brake	56
Drumbrake, assistant manoeuvred Spirea4	57
Drumbrake, assistant manoeuvred (=> 2010.11)	58
Drumbrake, User man., 16" wheel	59

Safety Options

Pelvic belt	60
Rear Anti Tippers	61
Anti-tip, swingaway	62
Reflector	63
Transport kit	64

Seating Options

Bar, Neck-Headrest	65
Headrest	66
Neckrest	67
Position pad	68

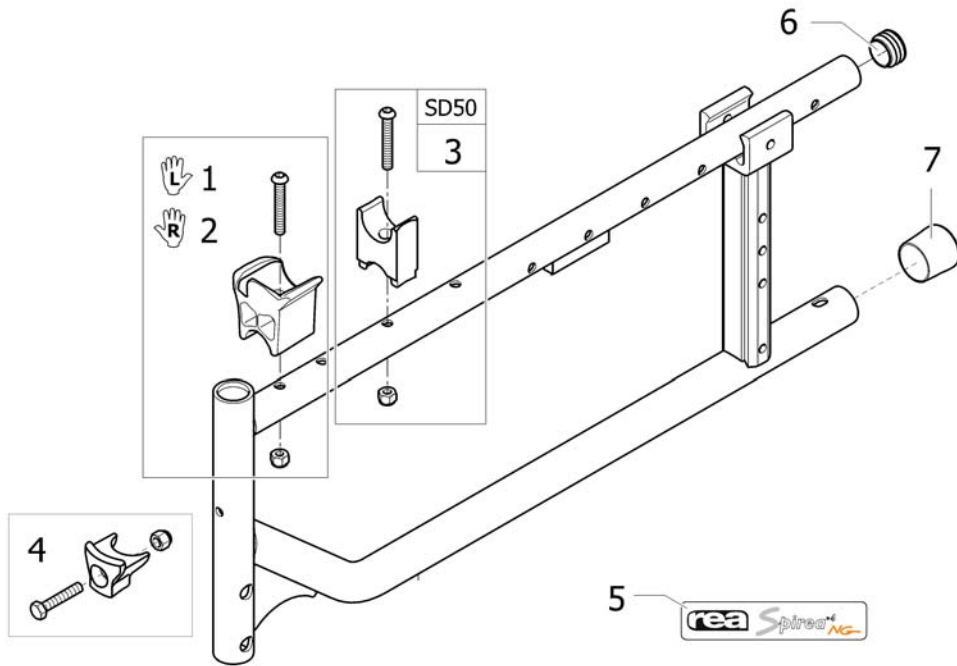
Propulsion Options

Dual handrim QR axle	69
----------------------------	----

Other Options & Aecessories

Table tray	70
Pump	71
Cane holder	72
Oxygen bottle holder	73

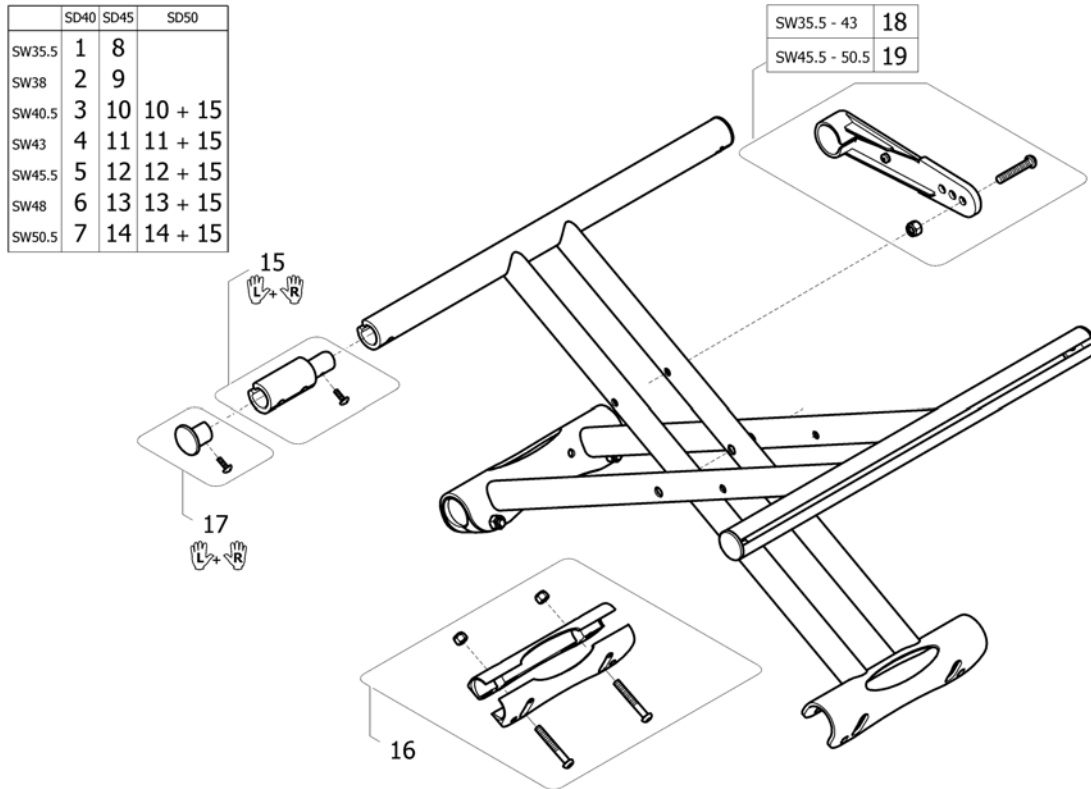
Chassis



10/06/13/003/01

Pos.	Part number	Description	Valid from → until	Qty
1	1434128	Kit crossbar support clipable LH		1
2	1434127	Kit crossbar support clipable RH		1
3	0572-06097	Kit crossbar support in H for crossbar adjustable SW205/280 SD300/350 (4 extensions)		1
4	1430427	Kit hanger locked part		1
5	1534636	Label Spirea4Ng		1
6	5716478	Plastic Sleeve, black		1
7	5716276	Plastic cap, K25, Black		1

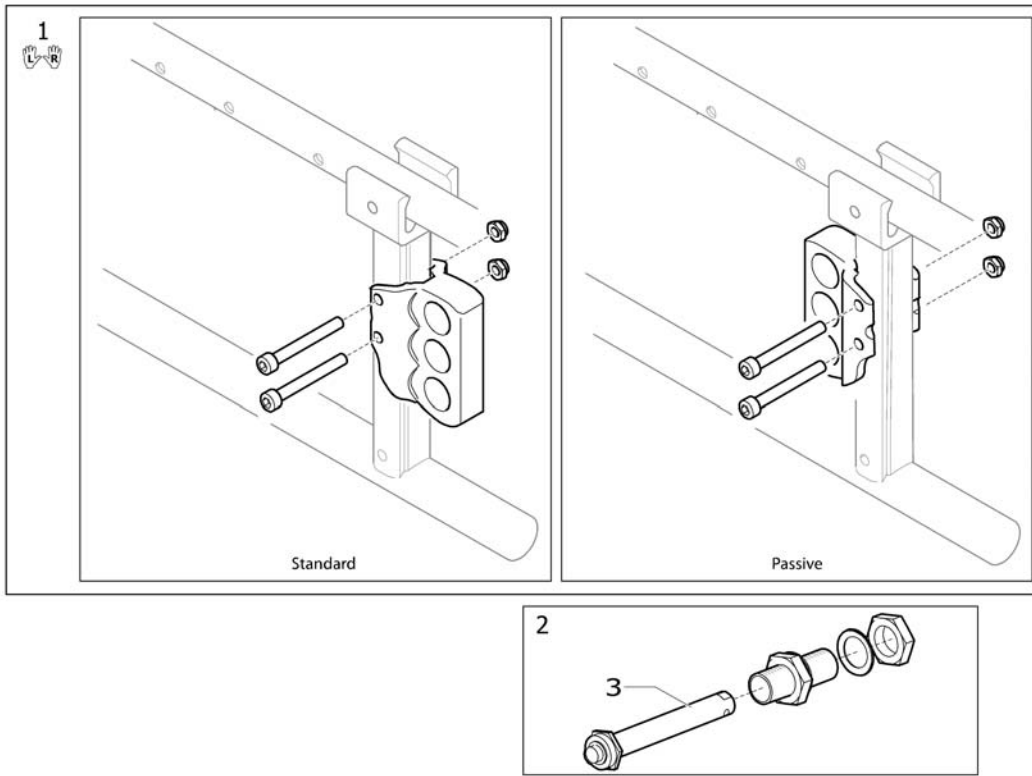
Folding system



SPS1499789

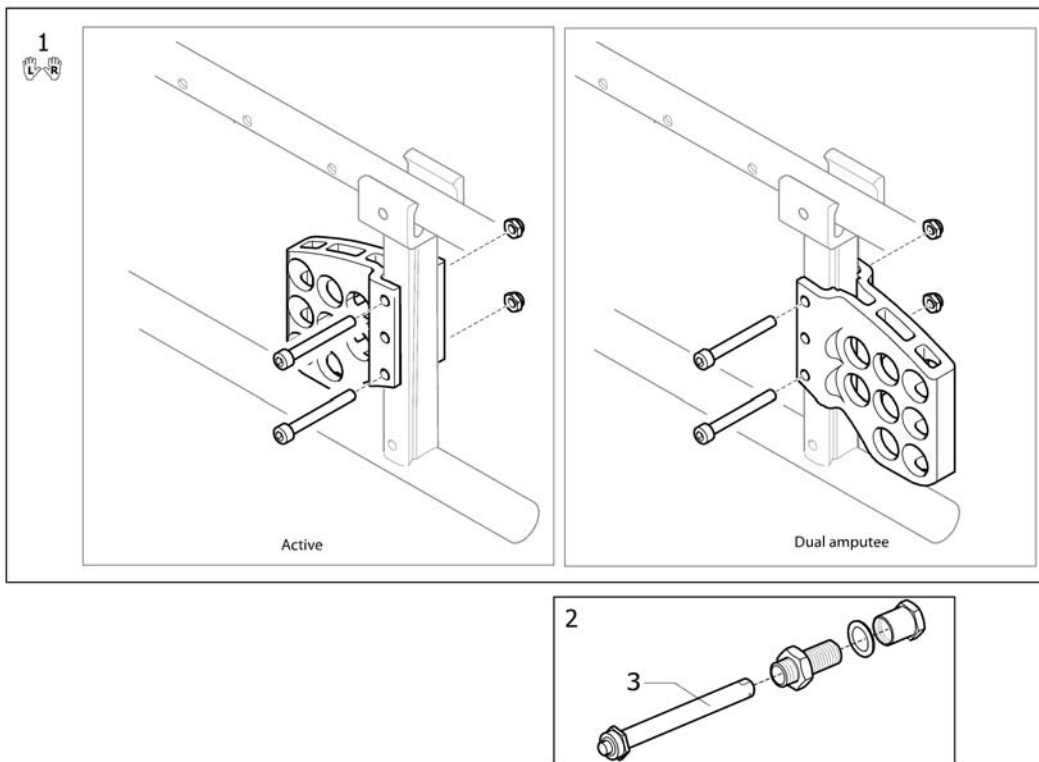
Pos.	Part number	Description	Valid from → until	Qty
1	1536771	CROSS BRACE 355X400 CPL.		1
2	1449961	A4 Cross Brace Complete (Pair) SW380 x SD400 mm		1
3	1449789	A4 Cross Brace Complete (Pair) SW405 x SD400 mm		1
4	1449790	A4 Cross Brace Complete (Pair) SW430 x SD400 mm		1
5	1449791	A4 Cross Brace Complete (Pair) SW455 x SD400 mm		1
6	1449792	A4 Cross Brace Complete (Pair) SW480 x SD400 mm		1
7	1488618	A4 Cross Brace Complete (Pair) SW505 x SD400 mm		1
8	1536772	CROSS BRACE 355X450 CPL.		1
9	1449794	A4 Cross Brace Complete (Pair) SW380 x SD450 mm		1
10	1449795	A4 Cross Brace Complete (Pair) SW405 x SD450 mm		1
11	1449796	A4 Cross Brace Complete (Pair) SW430 x SD450 mm		1
12	1449797	A4 Cross Brace Complete (Pair) SW455 x SD450 mm		1
13	1449798	A4 Cross Brace Complete (Pair) SW480 x SD450 mm		1
14	1488619	A4 Cross Brace Complete (Pair) SW505 x SD450 mm		1
15	1537644	5 CM SEAT EXTENSION KIT, SPIREA 4 NG.		1
16	1488869	RETAINER PLATE, CROSSBRACE, CPL, SPIREA3		1
17	1537650	KIT PLUG, CROSS		1
18	1488881	LINK CPL., CROSSBRACE 38/40.5/43		1
19	1488882	LINK CPL., CROSSBRACE 45.5/48/50.5		1
20	1537648	Part not for sale		1

Rearwheel attachm. Standard/Passiv



Pos.	Part number	Description	Valid from → until	Qty
1	1535065	Attachm., Rear Wheel, Pair, Standard/Passive		1
2	5750166	QR axle kit (when serial number start by 02)		1
3	5750165	QR Axle 12mm		1

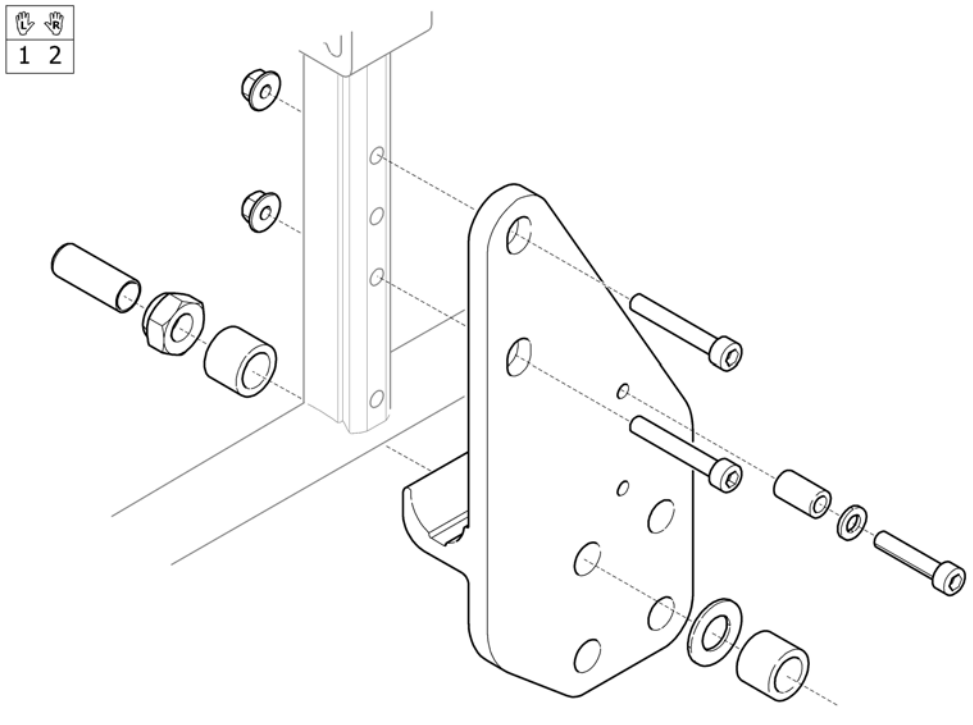
Rearwheel attachm. Active/Amputee



SP1534828

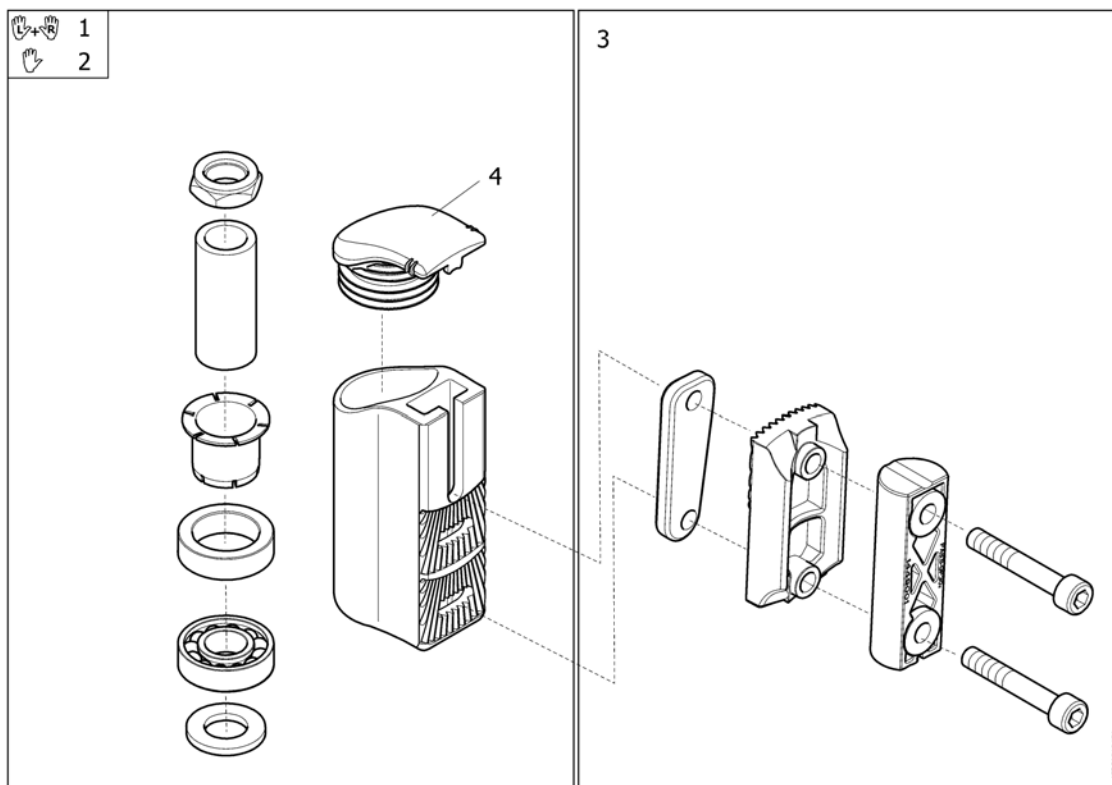
Pos.	Part number	Description	Valid from → until	Qty
1	1534828	Attachm., Rear Wheel, Pair, Active / Double Amputee		1
2	1533910	Axle housing cpl + axle QR, Spirea4NG		1
3	5750165	QR Axle 12mm		1

Rearwheel attachm. 16 wheel"

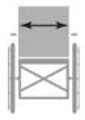



Pos.	Part number	Description	Valid from → until	Qty
1	1440040	Attachm., Rear Wheel 16" Lh		1
2	1435464	Attachm., Rear Wheel 16" Rh		1

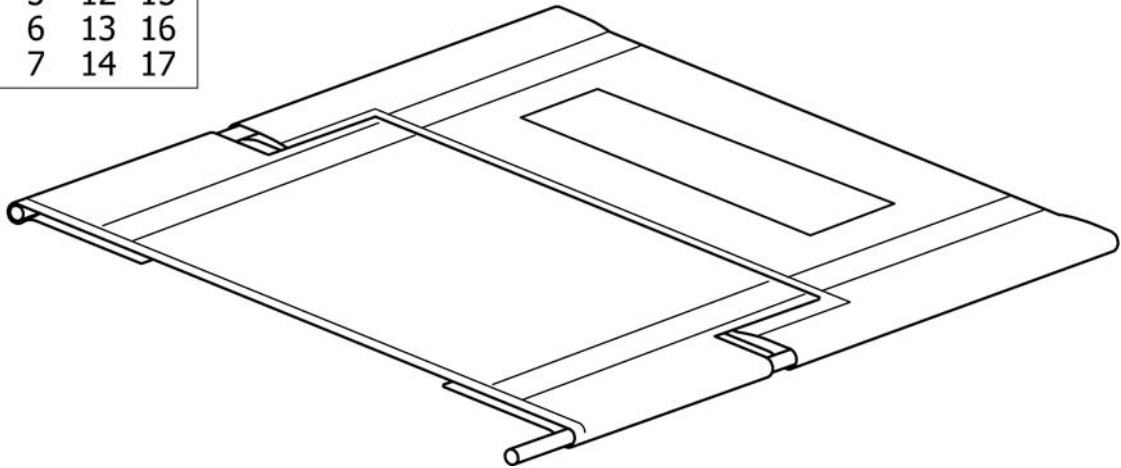
Castor attachment



Pos.	Part number	Description	Valid from → until	Qty
1	1556557	Kit fork support adj Action alu black, bearing housing + screws (pair, Transformation kit to 2011 version)		1
2	1444804	Kit fork support adj Action alu black, bearing housing only (2011 version)		1
3	1450028	Kit fork support adj Action alu black, plate & inserts only		1
4	1540575	Plastic plug, castor housing		1



			
cm	40 45 50		
35.5	1	8	
38	2	9	
40.5	3	10	
43	4	11	
45.5	5	12	15
48	6	13	16
50.5	7	14	17

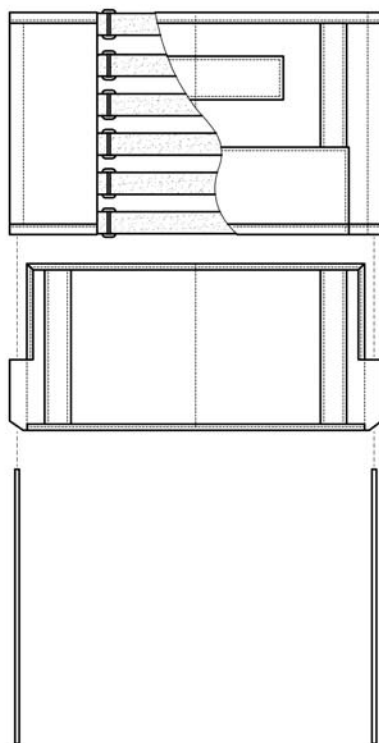
SPS1533431



Pos.	Part number	Description	Valid from → until	Qty
1	1534848	Seat Upholstery 35.5/35-40, Sling Adj.		1
2	1534850	Seat Upholstery 38/35-40, Sling Adj.		1
3	1534851	Seat Upholstery 40.5/35-40, Sling Adj.		1
4	1534852	Seat Upholstery 43/35-40, Sling Adj.		1
5	1534863	Seat Upholstery 45.5/35-40, Sling Adj.		1
6	1534870	Seat Upholstery 48/35-40, Sling Adj.		1
7	1534940	Seat Upholstery 50.5/35-40, Sling Adj.		1
8	1534849	Seat Upholstery 35.5/40-45, Sling Adj.		1
9	1437580	Adjustable Depth Seat Upholstery SW380 x SD400 to 450 mm		1
10	1437581	Adjustable Depth Seat Upholstery SW405 x SD400 to 450 mm		1
11	1437582	Adjustable Depth Seat Upholstery SW430 x SD400 to 450 mm		1
12	1437583	Adjustable Depth Seat Upholstery SW455 x SD400 to 450 mm		1
13	1437584	Adjustable Depth Seat Upholstery SW480 x SD400 to 450 mm		1
14	1437585	Adjustable Depth Seat Upholstery SW505 x SD400 to 450 mm		1
15	1534869	Seat Upholstery 45.5/45-50, Sling Adj.		1
16	1534939	Seat Upholstery 48/45-50, Sling Adj.		1
17	1534941	Seat Upholstery 50.5/45-50, Sling Adj.		1

Seat, tension adj.

				
cm	40	45	50	
38	1	7		
40.5	2	8		
43	3	9		
45.5	4	10	13	
48	5	11	14	
50.5	6	12	15	



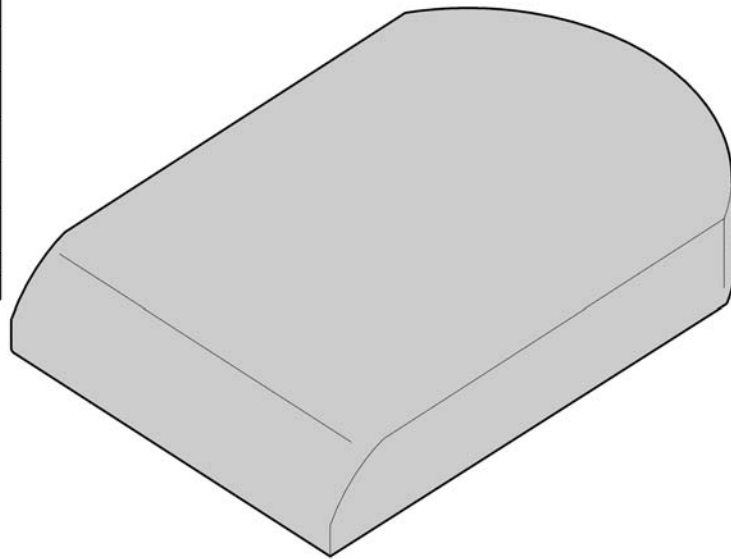
SPS133527

Pos.	Part number	Description	Valid from → until	Qty
1	1533431	Seat Upholstery 38/40, Tension Adj.		1
2	1533432	Seat Upholstery 40.5/40, Tension Adj.		1
3	1533433	Seat Upholstery 43/40, Tension Adj.		1
4	1533434	Seat Upholstery 45.5/40, Tension Adj.		1
5	1533435	Seat Upholstery 48/40, Tension Adj.		1
7	1533438	Seat Upholstery 38/45, Tension Adj.		1
8	1533439	Seat Upholstery 40.5/45, Tension Adj.		1
9	1533440	Seat Upholstery 43/45, Tension Adj.		1
10	1533441	Seat Upholstery 45.5/45, Tension Adj.		1
11	1533442	Seat Upholstery 48/45, Tension Adj.		1
12	1533443	Seat Upholstery 50.5/45, Tension Adj.		1
13	1533448	Seat Upholstery 45.5/50, Tension Adj.		1
14	1533449	Seat Upholstery 48/50, Tension Adj.		1
15	1533450	Seat Upholstery 50.5/50, Tension Adj.		1
6	1533436	Seat Upholstery 50.5/40, Tension Adj.		1

Seat cushion

	SW	SD	TR18	TR32	TR35
Spirea ²	380	400	6	38	25
Spirea ³		450	7	39	26
Focus	405	400	9	40	27
		450	10	41	28
	430	400	12	42	29
		450	13	43	30
	455	400	15	44	31
		450	16	45	32
	480	400	18	46	33
		450	19	47	34
	505	400	21	48	35
		450	22	49	36
	530	450	24	50	37
	555	450	24	50	37

	SW	SD		
		400	450	500
Spin ^x	330	1	2	
XLT	355	3	4	5
Spirea ^{4NG}	380	6	7	8
	405	9	10	11
	430	12	13	14
	455	15	16	17
	480	18	19	20
	505	21	22	23



	Färg	Colour	Farbe	Couleur
TR18	jemima	jemima	Jemima	Jemima
TR32	plysch grå PRIMA	plush grey PRIMA	Plüsch grau PRIMA	velours gris PRIMA
TR35	plysch svart	plush black	Plüsch schwarz	velours noir

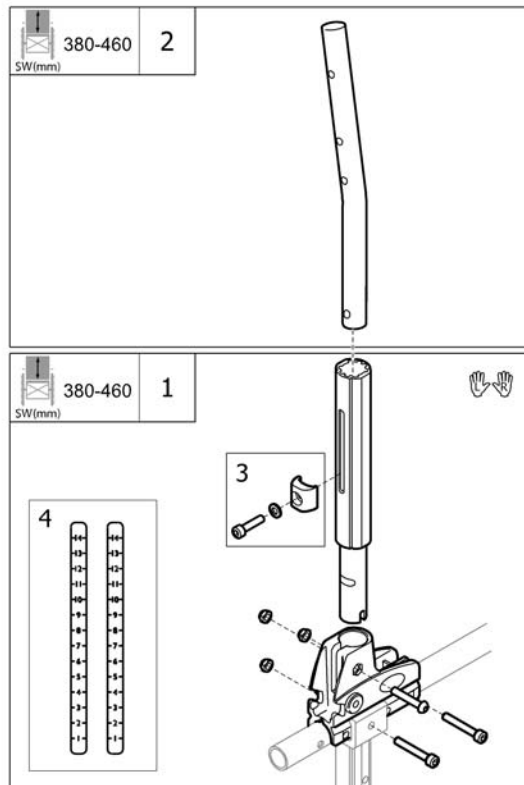
SPS103178

Pos.	Part number	Description	Valid from → until	Qty
1	5226506-TR18	Seat Cushion 340x400, Jemima Black, Standard		1
2	5226507-TR18	Seat Cushion 340x450, Jemima Black, Standard		1
3	5104255-TR18	Seat Cushion 360x400, Jemima Black, Standard		1
4	5104257-TR18	Seat Cushion 360x450, Jemima Black, Standard		1
5	1512809	Seat Cushion 360x500, Jemima Black, Standard		1
6	5104317-TR18	Seat Cushion 380x400, Jemima Black, Standard		1
7	5104319-TR18	Seat Cushion 380x450, Jemima Black, Standard		1
8	1495830	Seat Cushion 380x500, Jemima Black, Standard		1
9	5103179-TR18	Seat Cushion 410x400, Jemima Black, Standard		1
10	5104259-TR18	Seat Cushion 410x450, Jemima Black, Standard		1
11	1495831	Seat Cushion 410x500, Jemima Black, Standard		1
12	5104262-TR18	Seat Cushion 430x400, Jemima Black, Standard		1
13	5104264-TR18	Seat Cushion 430x450, Jemima Black, Standard		1
14	1495832	Seat Cushion 430x500, Jemima Black, Standard		1
15	5103180-TR18	Seat Cushion 460x400, Jemima Black, Standard		1
16	5104266-TR18	Seat Cushion 460x450, Jemima Black, Standard		1
17	1495833	Seat Cushion 460x500, Jemima Black, Standard		1
18	5226509-TR18	Seat Cushion 480x400, Jemima Black, Standard		1
19	5226510-TR18	Seat Cushion 480x450, Jemima Black, Standard		1
20	1495834	Seat Cushion 480x500, Jemima Black, Standard		1
21	5104269-TR18	Seat Cushion 500x400, Jemima Black, Standard		1
22	5104271-TR18	Seat Cushion 500x450, Jemima Black, Standard		1
23	1495835	Seat Cushion 500x500, Jemima Black, Standard		1
24	1435429	Seat Cushion 530x450, Jemima Black, Standard		1
25	5104317-TR35	Seat Cushion 380x400, Plush Black, Standard		1
26	5104319-TR35	Seat Cushion 380x450, Plush Black, Standard		1
27	5103179-TR35	Seat Cushion 410x400, Plush Black, Standard		1
28	5104259-TR35	Seat Cushion 410x450, Plush Black, Standard		1
29	5104262-TR35	Seat Cushion 430x400, Plush Black, Standard		1
30	5104264-TR35	Seat Cushion 430x450, Plush Black, Standard		1
31	5103180-TR35	Seat Cushion 460x400, Plush Black, Standard		1

Seat cushion

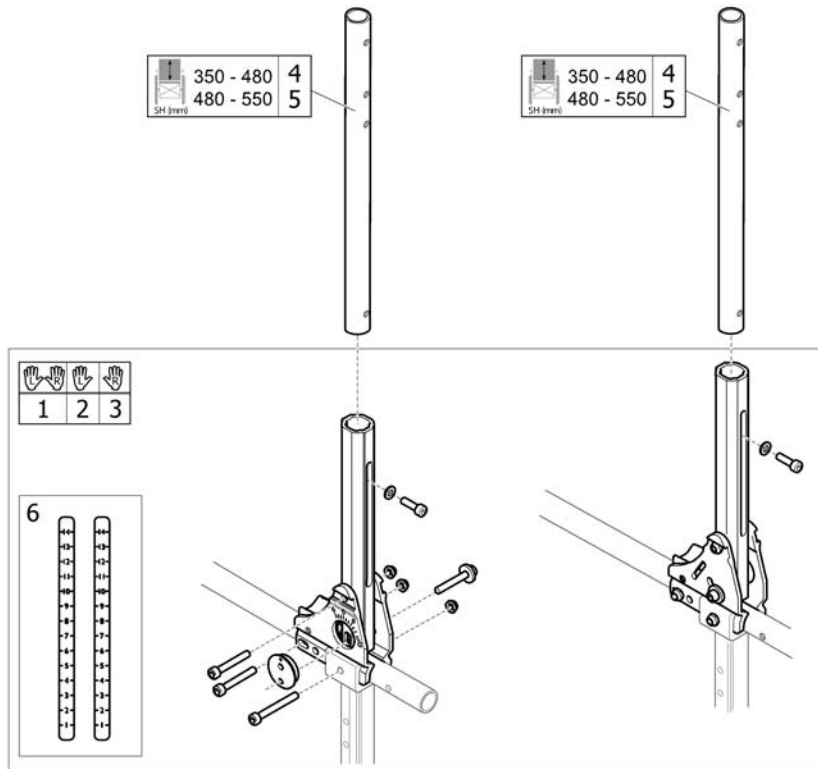
Pos.	Part number	Description	Valid from → until	Qty
32	5104266-TR35	Seat Cushion 460x450, Plush Black, Standard		1
33	5226509-TR35	Seat Cushion 480x400, Plush Black, Standard		1
34	5226510-TR35	Seat Cushion 480x450, Plush Black, Standard		1
35	5104269-TR35	Seat Cushion 500x400, Plush Black, Standard		1
36	5104271-TR35	Seat Cushion 500x450, Plush Black, Standard		1
37	1435445-TR35	Seat Cushion 530x450, Plush Black, Standard		1
38	5104317-TR32	Seat Cushion 380x400, Plush Grey Prima, Standard		1
39	5104319-TR32	Seat Cushion 380x450, Plush Grey Prima, Standard		1
40	5103179-TR32	Seat Cushion 410x400, Plush Grey Prima, Standard		1
41	5104259-TR32	Seat Cushion 410x450, Plush Grey Prima, Standard		1
42	5104262-TR32	Seat Cushion 430x400, Plush Grey Prima, Standard		1
43	5104264-TR32	Seat Cushion 430x450, Plush Grey Prima, Standard		1
44	5103180-TR32	Seat Cushion 460x400, Plush Grey Prima, Standard		1
45	5104266-TR32	Seat Cushion 460x450, Plush Grey Prima, Standard		1
46	5226509-TR32	Seat Cushion 480x400, Plush Grey Prima, Standard		1
47	5226510-TR32	Seat Cushion 480x450, Plush Grey Prima, Standard		1
48	5104269-TR32	Seat Cushion 500x400, Plush Grey Prima, Standard		1
49	5104271-TR32	Seat Cushion 500x450, Plush Grey Prima, Standard		1
50	1435445	Seat Cushion 530x450, Plush Grey Prima, Standard		1

Backrest fixed







Pos.	Part number	Description	Valid from → until	Qty
1	SP1574655	Backrest tube for additional push handle		1
1	1534662	Backrest Attachment, Fixed, Pair		1
2	SP1574655	Backrest tube for additional push handle		1
3	1523746	Screw Kit Height Adjust. Backrest Tube		1
4	SP1584148	Label pair, backrest height		1

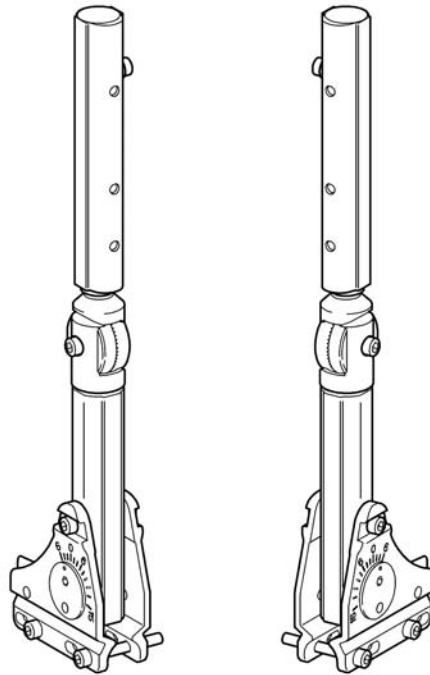
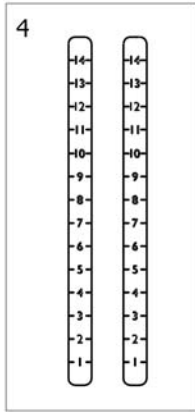
Backrest angular adj.



Pos.	Part number	Description	Valid from → until	Qty
1	1542564	BACKREST ATTACHMENT, ADJUSTABLE, PAIR		1
2	1546891	BACKREST ATTACHMENT, ADJUSTABLE, LEFT		1
3	1546943	BACKREST ATTACHMENT, ADJUSTABLE, RIGHT		1
4	1523773	Tube, Backrest, Straight L=330		1
5	1533991	Tube, Backrest, Straight L=400		1
6	SP1584148	Label pair, backrest height		1

Backrest attachment, biangular

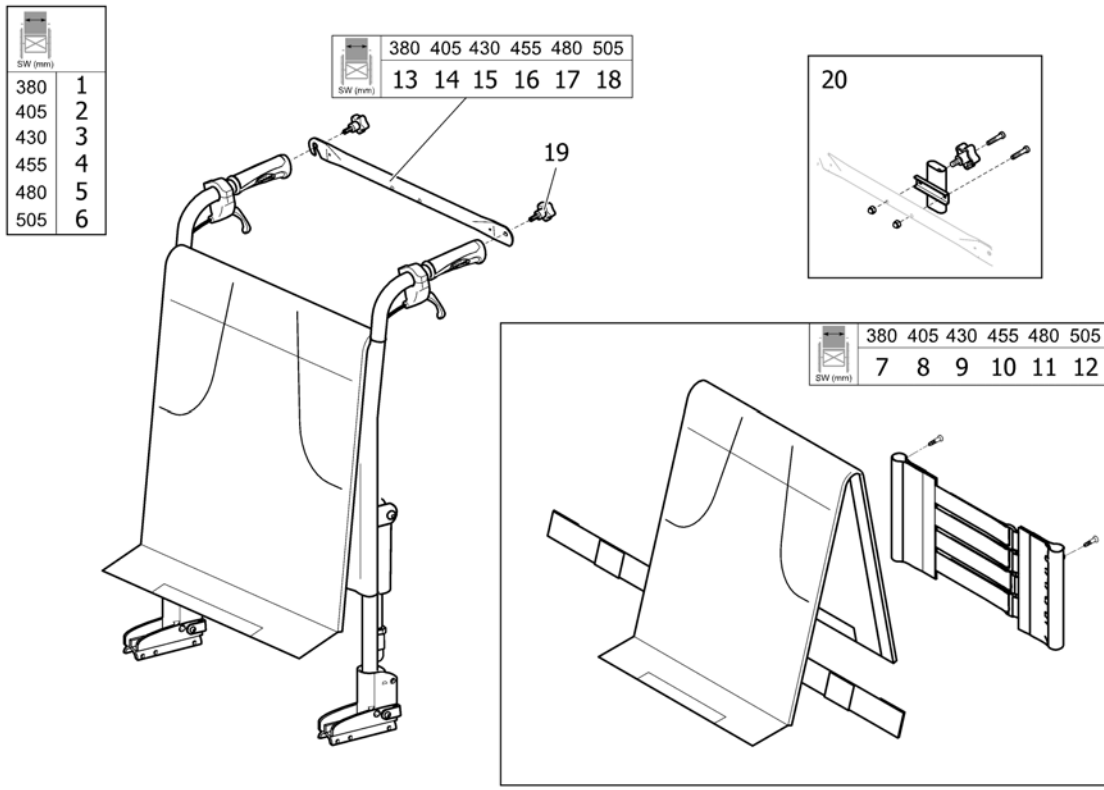
			
380 - 505	1	2	3



SP1574390

Pos.	Part number	Description	Valid from → until	Qty
1	SP1574392	Backrest attachment, biangular, pair		1
2	SP1574391	Backrest attachment, biangular, left		1
3	SP1574390	Backrest attachment, biangular, right		1
4	SP1584148	Label pair, backrest height		1

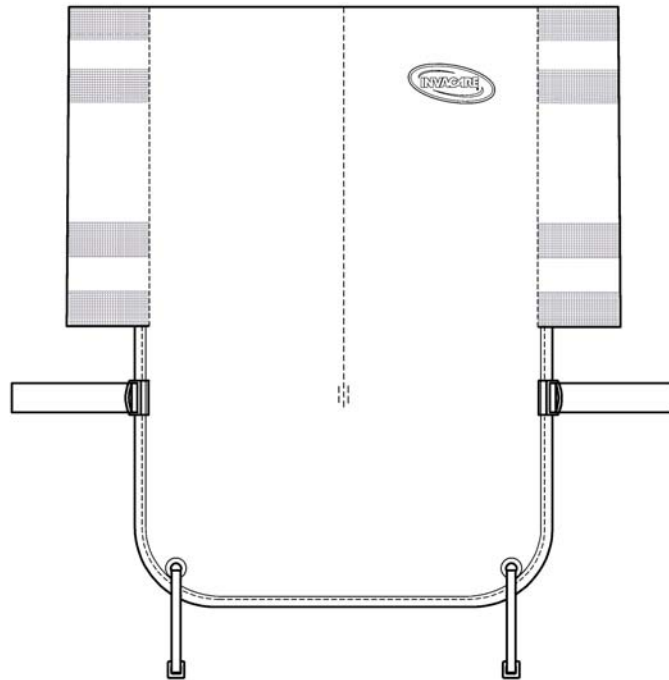
Backrest, tension adj., gas spring



Pos.	Part number	Description	Valid from → until	Qty
1	1574393	Backrest 380, tension adj., gas spring		1
2	1574394	Backrest 405, tension adj., gas spring		1
3	1574431	Backrest 430, tension adj., gas spring		1
4	1574432	Backrest 455, tension adj., gas spring		1
5	1574485	Backrest 480, tension adj., gas spring		1
6	1574538	Backrest 505, tension adj., gas spring		1
7	1542540-TR18	UPHOLSTERY, BACKREST 380 CPL, HIGH, JEMIMA		1
8	1542541-TR18	UPHOLSTERY, BACKREST 405 CPL, HIGH, JEMIMA		1
9	1542542-TR18	UPHOLSTERY, BACKREST 430 CPL, HIGH, JEMIMA		1
10	1542543-TR18	UPHOLSTERY, BACKREST 455 CPL, HIGH, JEMIMA		1
11	1542544-TR18	UPHOLSTERY, BACKREST 480 CPL, HIGH, JEMIMA		1
12	1542545-TR18	UPHOLSTERY, BACKREST 505 CPL, HIGH, JEMIMA		1
13	SP1428535-0601	Backrest stay 380		1
14	SP1428536-0601	Backrest stay 405		1
15	SP1428537-0601	Backrest stay 430		1
16	SP1428538-0601	Backrest stay 455		1
17	SP1428539-0601	Backrest stay 480		1
18	SP1428540-0601	Backrest stay 505		1
19	SP0021-60029	Handwheel M6x16		1
20	SP1554616	Attachment cpl., headrest, gas backrest		1

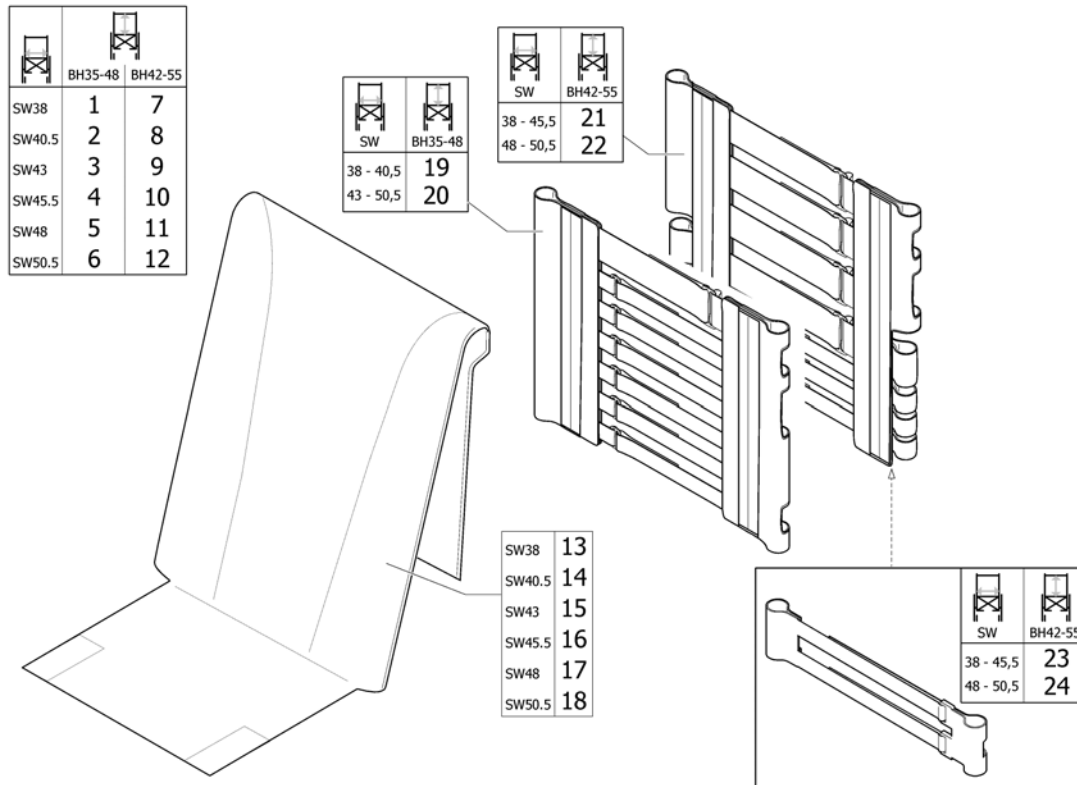
Backrest upholstery, fixed

355	1
380	2
405	3
430	4
455	5
480	6
505	7



Pos.	Part number	Description	Valid from → until	Qty
1	1495839	Upholstery, Backrest Fixed 35.5 Cpl, Jemima		1
2	1495840	Upholstery, Backrest Fixed 38 Cpl, Jemima		1
3	1495841	Upholstery, Backrest Fixed 40.5 Cpl, Jemima		1
4	1495842	Upholstery, Backrest Fixed 43 Cpl, Jemima		1
5	1495843	Upholstery, Backrest Fixed 45.5 Cpl, Jemima		1
6	1495844	Upholstery, Backrest Fixed 48 Cpl, Jemima		1
7	1495845	Upholstery, Backrest Fixed 50.5 Cpl, Jemima		1

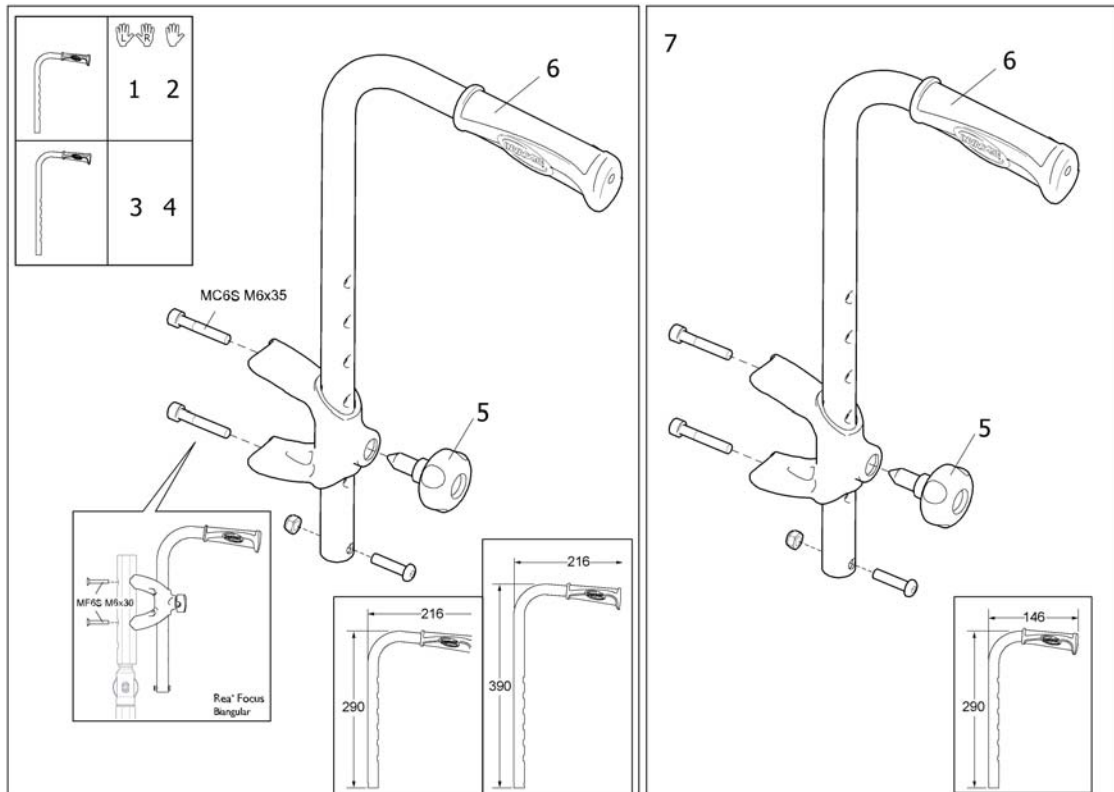
Backrest upholstery, tension adjustable



SP51540577

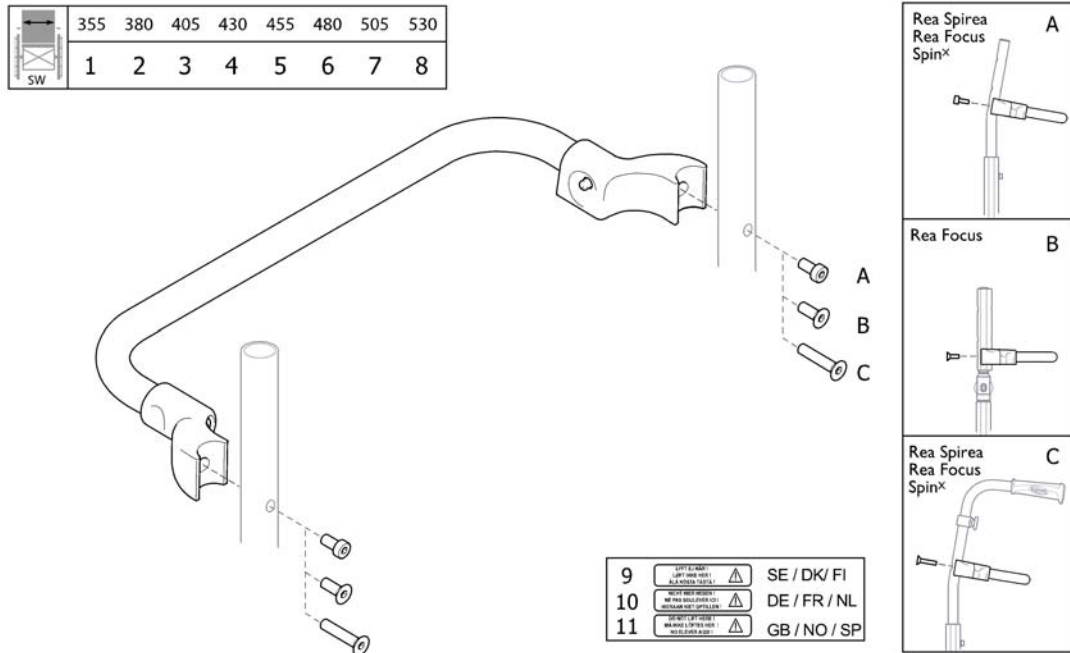
Pos.	Part number	Description	Valid from → until	Qty
1	1542553-TR18	UPHOLSTERY, BACKREST 380 CPL, LOW, JEMIMA		1
2	1542554-TR18	UPHOLSTERY, BACKREST 405 CPL, LOW, JEMIMA		1
3	1542555-TR18	UPHOLSTERY, BACKREST 430 CPL, LOW, JEMIMA		1
4	1542556-TR18	UPHOLSTERY, BACKREST 455 CPL, LOW, JEMIMA		1
5	1542557-TR18	UPHOLSTERY, BACKREST 480 CPL, LOW, JEMIMA		1
6	1542558-TR18	UPHOLSTERY, BACKREST 505 CPL, LOW, JEMIMA		1
7	1542540-TR18	UPHOLSTERY, BACKREST 380 CPL, HIGH, JEMIMA		1
8	1542541-TR18	UPHOLSTERY, BACKREST 405 CPL, HIGH, JEMIMA		1
9	1542542-TR18	UPHOLSTERY, BACKREST 430 CPL, HIGH, JEMIMA		1
10	1542543-TR18	UPHOLSTERY, BACKREST 455 CPL, HIGH, JEMIMA		1
11	1542544-TR18	UPHOLSTERY, BACKREST 480 CPL, HIGH, JEMIMA		1
12	1542545-TR18	UPHOLSTERY, BACKREST 505 CPL, HIGH, JEMIMA		1
13	1540578-TR18	Cover for Backrest adjustable SW380 Jemina		1
14	1540579-TR18	Cover for Backrest adjustable SW405 Jemina		1
15	1540580-TR18	Cover for Backrest adjustable SW430 Jemina		1
16	1540581-TR18	Cover for Backrest adjustable SW455 Jemina		1
17	1540582-TR18	Cover for Backrest adjustable SW480 Jemina		1
18	1540583-TR18	Cover for Backrest adjustable SW505 Jemina		1
19	5106253	UPHOLSTERY, BACKREST ADJ. 36-41 CPL		1
20	5106254	UPHOLSTERY, BACKREST ADJ. 43-50 CPL		1
21	1435415	BACKREST BODY 380-455 CPL.		1
22	1435416	BACKREST BOBY 480-530 CPL.		1
23	1508658	EXTENDER, BACKREST BODY 35.5-44		1
24	1512729	EXTENDER, BACKREST BODY 45.5-50.5		1

Push handles, external



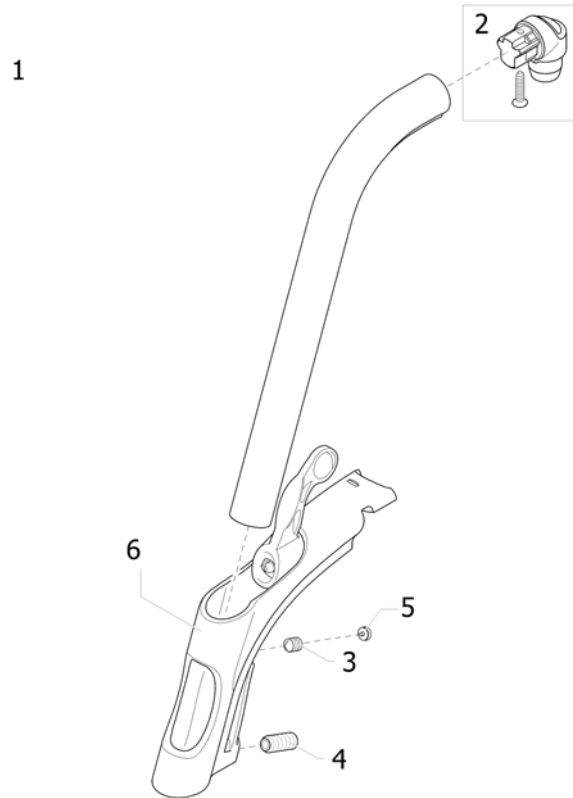
Pos.	Part number	Description	Valid from → until	Qty
1	1508061	Pushhandles, External, Low, Pair		1
2	1434743	Push Handle, External (for drumbrakes)		1
3	1508062	Pushhandles, External, High, Pair		1
4	1445821	Pushhandle (+10Cm), External		1
5	1434841	Handwheel M10-22,5		1
6	SP1429301	HANDLE 20MM, PAIR		1
7	1445825	Push handle 146x290, External		1

Backrest stay



Pos.	Part number	Description	Valid from → until	Qty
1	5106188-C9005	Backrest Stay 35.5 Cpl.		1
2	5106399-C9005	Backrest Stay 38 Cpl.		1
3	5221696-C9005	Backrest Stay 40.5 Cpl.		1
4	5106331-C9005	Backrest Stay 43 Cpl.		1
5	5106190-C9005	Backrest Stay 45.5 Cpl.		1
6	1435484-9005	Backrest Stay 48 Cpl.		1
7	5106191-C9005	Backrest Stay 50.5 Cpl.		1
8	1435490-9005	Backrest Stay 53 Cpl.		1
9	5106299	Sticker Warning (Se/Dk/Fi)		1
10	5106300	Sticker Warning (De/Fr/Nl)		1
11	5106301	Sticker Warning (Gb/No/Sp)		1

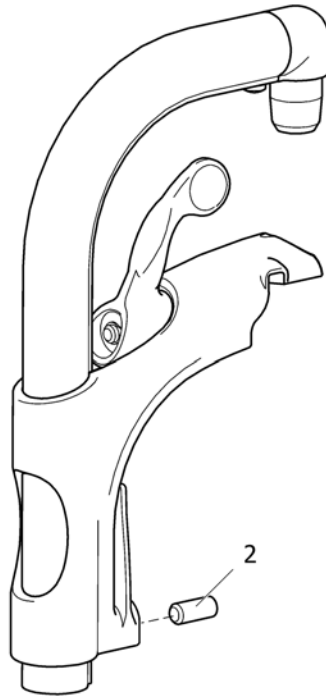
Legrest 80° Alu2003, Fixed



Pos.	Part number	Description	Valid from → until	Qty
1	1493055-0509	Hanger Alu2003,Fixed 80 Deg,Cpl		1
2	1430426	Hanger pivot kit		1
3	1424572	Screw stop M10x12		1
4	1424571	Screw stop M10x23		1
5	1435741	Footrest Hanger Plug		1
6	1434362	Hanger support complete (Alu Pin)		1

Legrest 90° Alu2003, Fixed

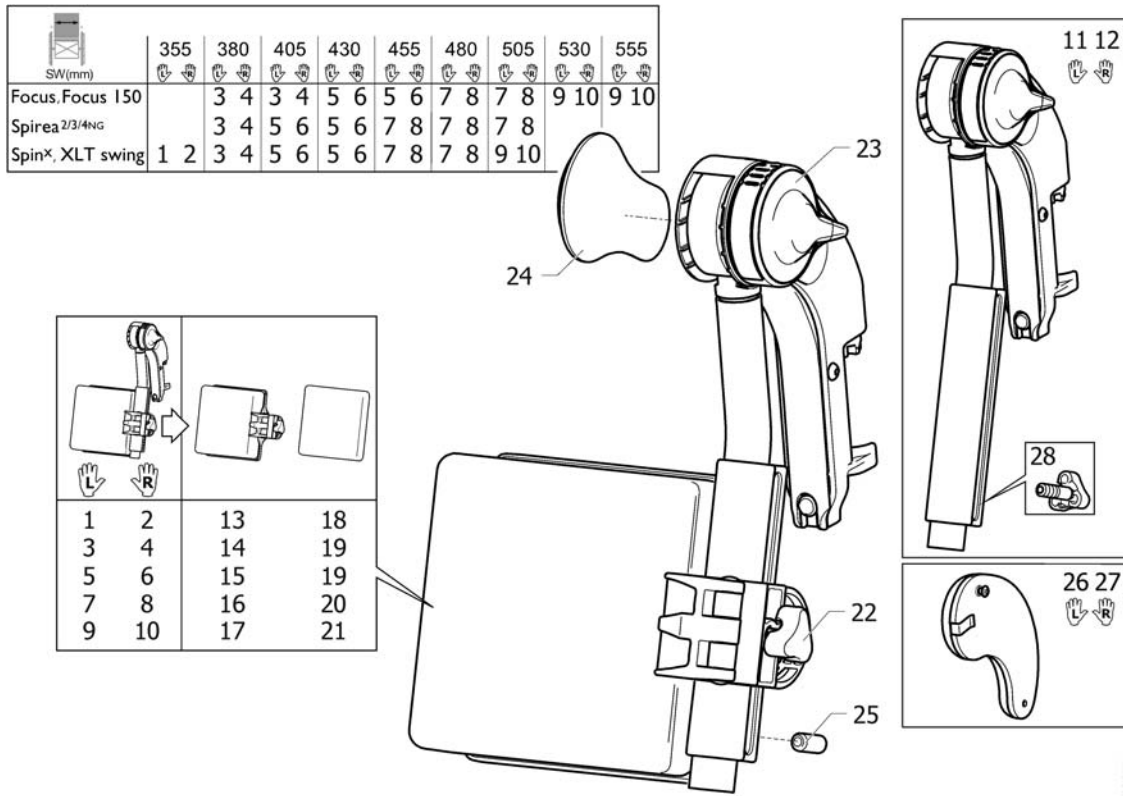
1



SPS1403056

Pos.	Part number	Description	Valid from → until	Qty
1	1493056-0509	Hanger fixed 90°		1
2	1424571	Screw stop M10x23		1

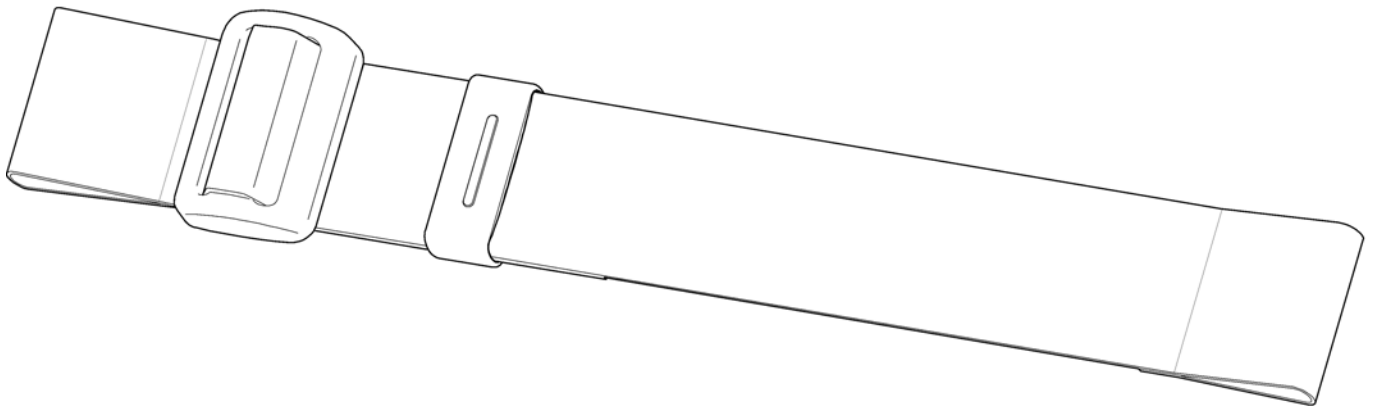
Legrest AA



Pos.	Part number	Description	Valid from → until	Qty
1	1524990	Hanger (+ Calfpad 10), Le, Alu2008 Legrest		1
2	1524991	Hanger (+ Calfpad 10), Ri, Alu2008 Legrest		1
3	1524992	Hanger (+ Calfpad 11.5), Le, Alu2008 Legrest		1
4	1524993	Hanger (+ Calfpad 11.5), Ri, Alu2008 Legrest		1
5	1524994	Hanger (+ Calfpad 12), Le, Alu2008 Legrest		1
6	1524995	Hanger (+ Calfpad 12), Ri, Alu2008 Legrest		1
7	1525027	Hanger (+ Calfpad 15), Le, Alu2008 Legrest		1
8	1525028	Hanger (+ Calfpad 15), Ri, Alu2008 Legrest		1
9	1525029	Hanger (+ Calfpad 18), Le, Alu2008 Legrest		1
10	1525030	Hanger (+ Calfpad 18), Ri, Alu2008 Legrest		1
11	1508945	Lh elevating legrest		1
12	1508948	Rh elevating legrest		1
13	1518616	Calf Support 10		1
14	1518617	Calf Support 11.5		1
15	1518531	Calfpad 16", cpl.		1
16	1518532	Calfpad, 19", Dartex black, cpl.		1
17	1518533	Calf Support 18		1
18	5106406	Pad, Calf Support 10		1
19	5104185	Pad, Calf Support 12		1
20	5104186	Pad, Calf Support 15		1
21	5104187	Pad, Calf Support 18		1
22	1429215	HANDWHEEL M8		1
23	1508943	Incline adjustment lever		1
24	1428336	Kneepad		1
25	1424571	Screw stop M10x23		1
26	1445811	Kneepad (Incl Screw), Le, aa Legrest Alu2003		1
27	1445812	Kneepad (Incl Screw), Ri, aa Legrest Alu2003		1
28	1429326	Handwheel M10, Spring		1

Calf strap, Alu2003 legrest

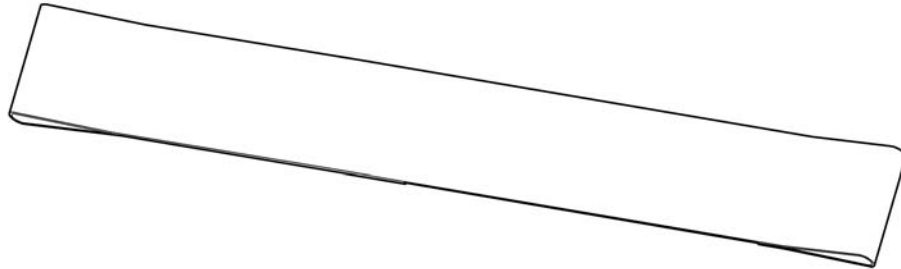
SPS1429214



Pos.	Part number	Description	Valid from → until	Qty
	1429214	Calf strap adjustable, medium		1

Calf strap, soft

1

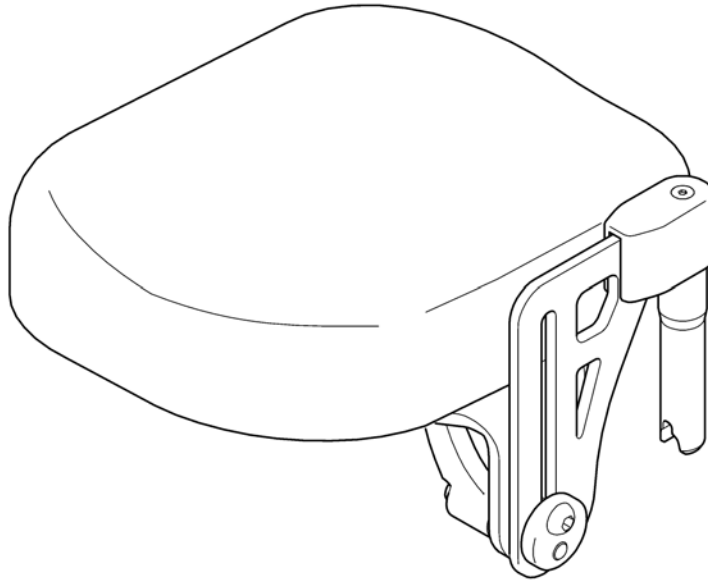


95138602

Pos.	Part number	Description	Valid from → until	Qty
1	1433580	Calf strap adjustable, medium		1

Amputee legrest

1 2
👤 👤

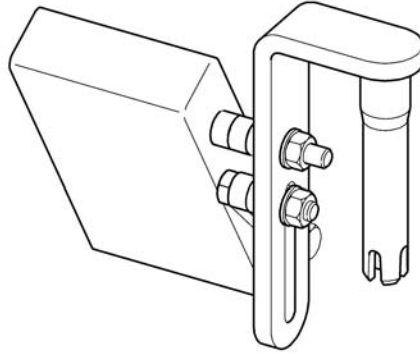


062941526

Pos.	Part number	Description	Valid from → until	Qty
1	1442991	Support Lh, legrest amputee		1
2	1442990	Support Rh, legrest amputee		1

Counter weight, amputee legrest

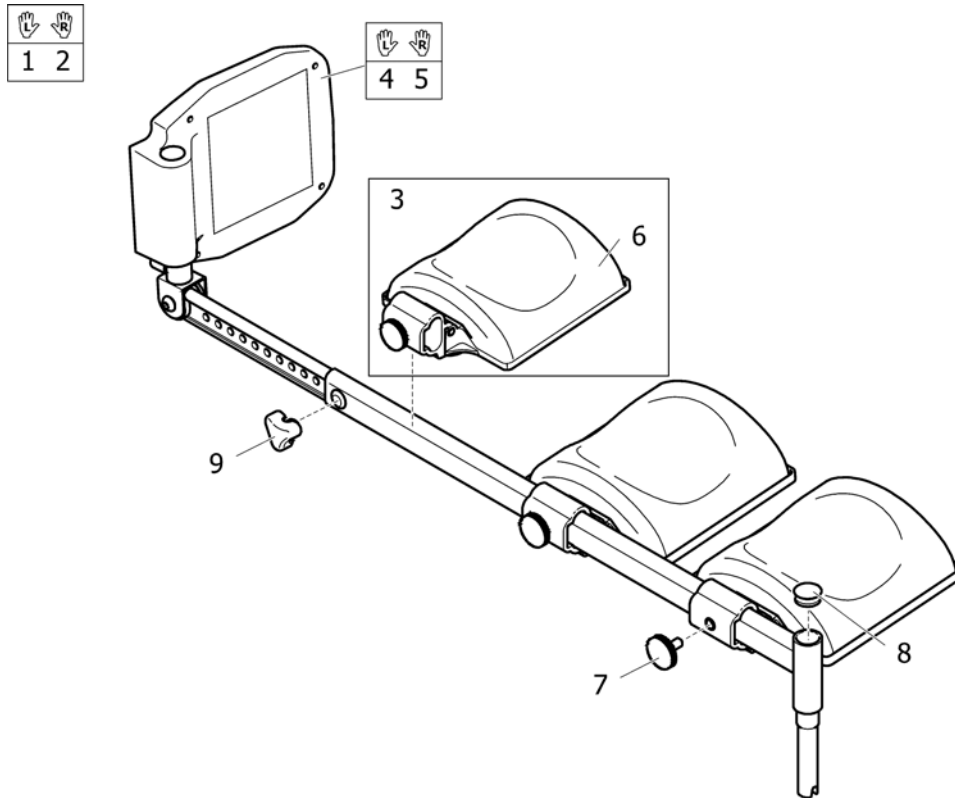
1



SP158429

Pos.	Part number	Description	Valid from → until	Qty
1	1579846	Part not for sale		1

Plaster legrest



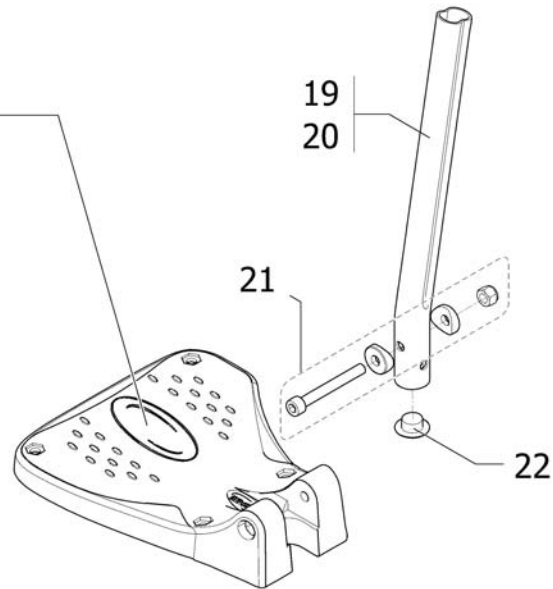
Pos.	Part number	Description	Valid from → until	Qty
1	1435771	Legrest, Plaster, Le, Cpl		1
2	1435770	Legrest, Plaster, Ri, Cpl		1
3	5207070	Calfpad Cpl 22 Incl Mount		1
4	5253167	Footrest 19 Ang. Adj., Long, Lh, Steel Legrest		1
5	5253164	Footrest 19 Ang. Adj., Long, Rh, Steel Legrest		1
6	5104187	Pad, Calf Support 18		1
7	5221403	Tightening button		1
8	5716487	Plastic Cap Sfl 24 Black		1
9	5221122	Handwheel M12		1

Footrest, Fixed

cm	L		R	
	1	2	7	8
38	1	2	7	8
40.5	1	2	7	8
43	3	4	9	10
45.5	3	4	9	10
48	5	6	11	12
50.5	5	6	11	12

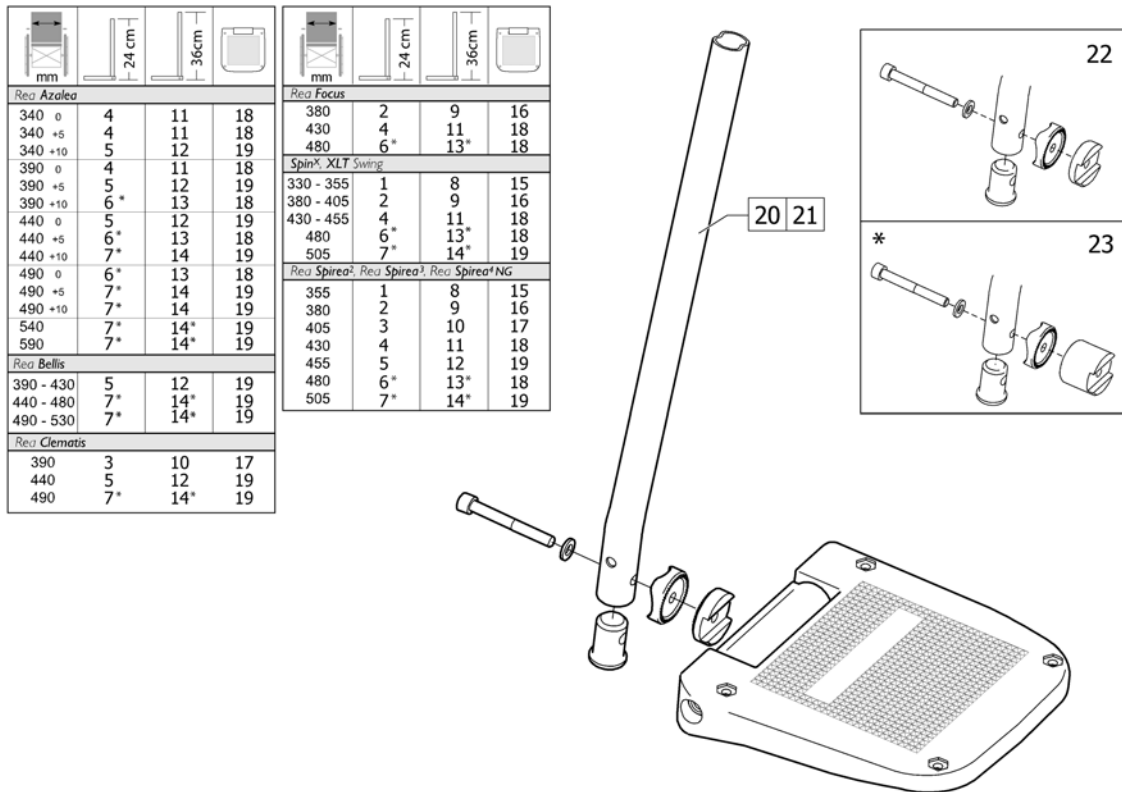
SPS1530620

cm	L	R
	38	13
40.5	13	14
43	15	16
45.5	15	16
48	17	18
50.5	17	18



Pos.	Part number	Description	Valid from → until	Qty
1	1530620	Footrest fixed, Lh, SW380-405mm, standard tube, swing away frame		1
2	1530614	Footrest fixed, Rh, SW380-405mm, standard tube, swing away frame		1
3	1530622	Footrest fixed, Lh, SW430-455mm, standard tube, swing away frame		1
4	1530616	Footrest fixed, Rh, SW430-455mm, standard tube, swing away frame		1
5	1530623	Footrest fixed, Lh, SW480-505mm, standard tube, swing away frame		1
6	1530617	Footrest fixed, Rh, SW480-505mm, standard tube, swing away frame		1
7	1530633	Footrest fixed, Lh, SW380-405mm, long tube, swing away frame		1
8	1530630	Footrest fixed, Rh, SW380-405mm, long tube, swing away frame		1
9	1530634	Footrest fixed, Lh, SW330-455mm, long tube, swing away frame		1
10	1530631	Footrest fixed, Rh, SW330-455mm, long tube, swing away frame		1
11	1530635	Footrest fixed, Lh, SW480-505mm, long tube, swing away frame		1
12	1530632	Footrest fixed, Rh, SW480-505mm, long tube, swing away frame		1
13	1529643	Footplate, fixed, Lh, 174mm (V2009)		1
14	1529642	Footplate, fixed, Rh, 174mm (V2009)		1
15	1529645	Footplate, fixed, Lh, 199mm (V2009)		1
16	1529644	Footplate, fixed, Rh, 199mm (V2009)		1
17	1529647	Footplate, fixed, Lh, 224mm (V2009)		1
18	1529646	Footplate, fixed, Rh, 224mm (V2009)		1
19	1434561-0010	Standard tube for fixed footrest		1
20	1434563-0010	Long tube for fixed and a&d adjustable footrest		1
21	1430433	Kit screws for fixed footrest		1
22	1424576	Plastic cap black Ø20mm		1

Footrest, AA, Alu2003

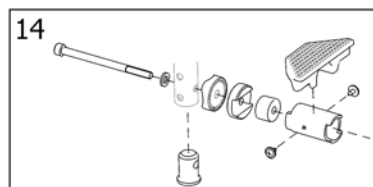
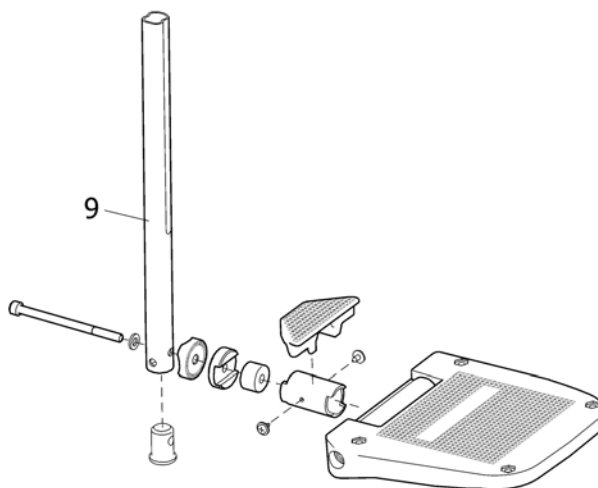


Pos.	Part number	Description	Valid from → until	Qty
1	1485430	Footrest 12 Short, Le, "Alu2003"		1
1	1485524	Footrest 12 Short, Ri, "Alu2003"		1
2	1429159	Footrest 14 aa, "Alu2003", Short, Left		1
2	1429160	Footrest 14 aa, "Alu2003", Short, Right		1
3	1429161	Footrest 16 aa, "Alu2003", Short, Left		1
3	1429162	Footrest 16 aa, "Alu2003", Short, Right		1
4	1429163	Footrest 17 aa, "Alu2003", Short, Left		1
4	1429164	Footrest 17 aa, "Alu2003", Short, Right		1
5	1429165	Footrest 18, "Alu2003", Lower Part, aa, Short, Left		1
5	1429166	Footrest 18, "Alu2003", Lower Part, aa, Short, Right		1
6	1429167	Footrest 19 aa, "Alu2003", Short, Left		1
6	1429168	Footrest 19 aa, "Alu2003", Short, Right		1
7	1429169	Footrest 20 Alu2003, Lower Part, aa, Short, Left		1
7	1429170	Footrest 20 Alu2003, Lower Part, aa, Short, Right		1
8	1485428	Footrest 12 Long, Le, "Alu2003"		1
8	1485429	Footrest 12 Long, Ri, "Alu2003"		1
9	1429171	Footrest 14 aa, "Alu2003", Long, Left		1
9	1429172	Footrest 14 aa, "Alu2003", Long, Right		1
10	1429173	Footrest 16 aa, "Alu2003", Long, Left		1
10	1429174	Footrest 16 aa, "Alu2003", Long, Right		1
11	1429175	Footrest 17 aa, "Alu2003", Long, Left		1
11	1429176	Footrest 17 aa, "Alu2003", Long, Right		1
12	1429177	Footrest 18, "Alu2003", Lower Part, aa, Long, Left		1
12	1429178	Footrest 18, "Alu2003", Lower Part, aa, Long, Ri		1
13	1429179	Footrest 19 aa, "Alu2003", Long, Left		1
13	1429180	Footrest 19 aa, "Alu2003", Long, Right		1
14	1429181	Footrest 20 Alu2003, Lower Part, aa, Long, Left		1
14	1429182	Footrest 20 Alu2003, Lower Part, aa, Long, Right		1
15	5106372	Footplate 12 aa, Cpl.		1
16	5106374	Footplate, angle and depth adjustable, 141 mm		1
17	5106375	Footplate, angle and depth adjustable, 156 mm		1

Pos.	Part number	Description	Valid from → until	Qty
18	5106594	Footplate, angle and depth adjustable, 166 mm		1
19	5106376	Footplate, angle and depth adjustable, 176 mm		1
20	1434561-0010	Standard tube for fixed footrest		1
21	1434563-0010	Long tube for fixed and a&d adjustable footrest		1
22	1430839	Kit fixation, adjustable footplate, short spacer		1
23	1430840	Kit fixation, adjustable footplate, long spacer		1

Footrest 90°, Alu2003

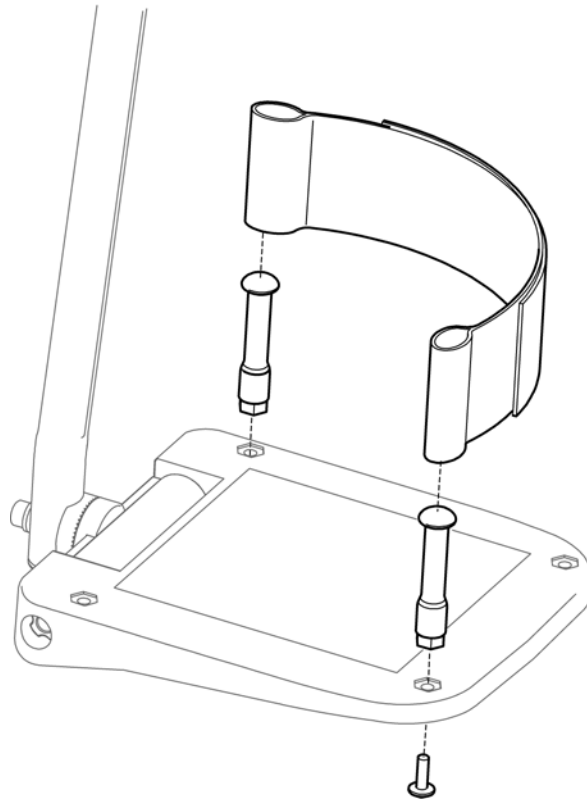
Rea Bellis			
S (39 - 43)	2	6	11
M (44 - 48)	3	7	12
L (49 - 53)	4	8	13
Rea Azalea, Rea Comfort			
34-39	2	6	11
44	3	7	12
49	4	8	13
Rea Clematis			
39	1	5	10
44	2	6	11
49	3	7	12
Rea Focus			
38	1	5	10
43	2	6	11
48	3	7	12
SpinX, XLT Swing, Rea Spirea²			
38 - 40,5	1	5	10
43 - 45,5	2	6	11
48 - 50,5	3	7	12



SPS1446130

Pos.	Part number	Description	Valid from → until	Qty
1	1446130	FOOTREST 11 AA, 90° "ALU2003", SHORT, LEFT		1
1	1446131	FOOTREST 11 AA, 90° "ALU2003", SHORT, RIGHT		1
2	1446132	FOOTREST LOWER PART 13, AA, FOOTR. 90, SHORT, LH		1
2	1446133	FOOTREST LOWER PART 13, AA, FOOTR. 90, SHORT, RH		1
3	1446134	FOOTREST LOWER PART 16, AA, FOOTR. 90, SHORT, LH		1
3	1446135	FOOTREST LOWER PART 16, AA, FOOTR. 90, SHORT, RH		1
4	1446159	FOOTREST LOWER PART 18, AA, FOOTR. 90, SHORT, LH		1
4	1446160	FOOTREST LOWER PART 18, AA, FOOTR. 90, SHORT, RH		1
5	1446136	FOOTREST 11 AA, 90° "ALU2003", LONG, LEFT		1
5	1446137	FOOTREST 11 AA, 90° "ALU2003", LONG, RIGHT		1
6	1446138	FOOTREST LOWER PART 13, AA, FOOTR. 90, LONG, LH		1
6	1446139	FOOTREST LOWER PART 13, AA, FOOTR. 90, LONG, RH		1
7	1446140	FOOTREST LOWER PART 16, AA, FOOTR. 90, LONG, LH		1
7	1446141	FOOTREST LOWER PART 16, AA, FOOTR. 90, LONG, RH		1
8	1446161	FOOTREST LOWER PART 18, AA, FOOTR. 90, LONG, LH		1
8	1446162	FOOTREST LOWER PART 18, AA, FOOTR. 90, LONG, RH		1
9	1440035	TUBE, LEGREST, LONG (346)		1
9	1446094	TUBE, LEGREST, SHORT (221)		1
10	5106371	Footplate, angle and depht adjustable, 106 mm		1
11	5106373	Footplate, angle and depth adjustable, 131 mm		1
12	5106375	Footplate, angle and depth adjustable, 156 mm		1
13	5106376	Footplate, angle and depth adjustable, 176 mm		1
14	1497913	SCREW KIT FOOTREST 90 ALU 2004		1

Heel strap

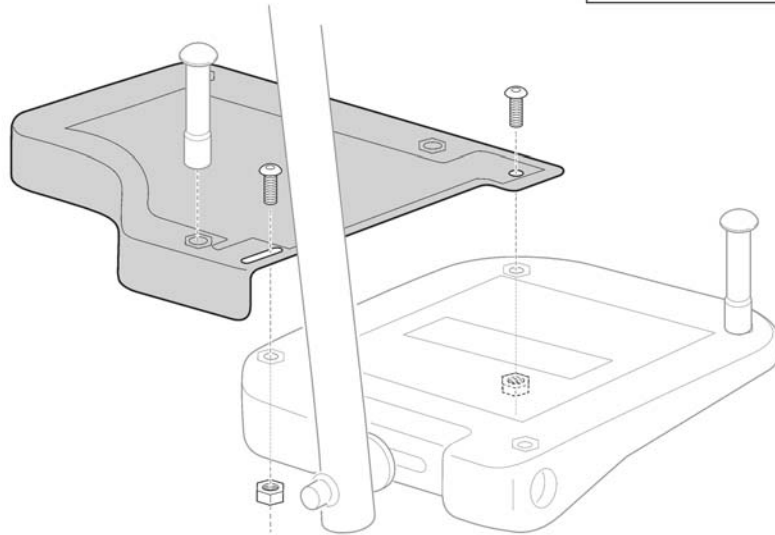
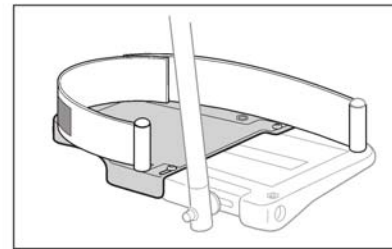


SPS5106433

Pos.	Part number	Description	Valid from → until	Qty
	5321579	Heel strap 400/500 (pair)		1

Extender, footplate

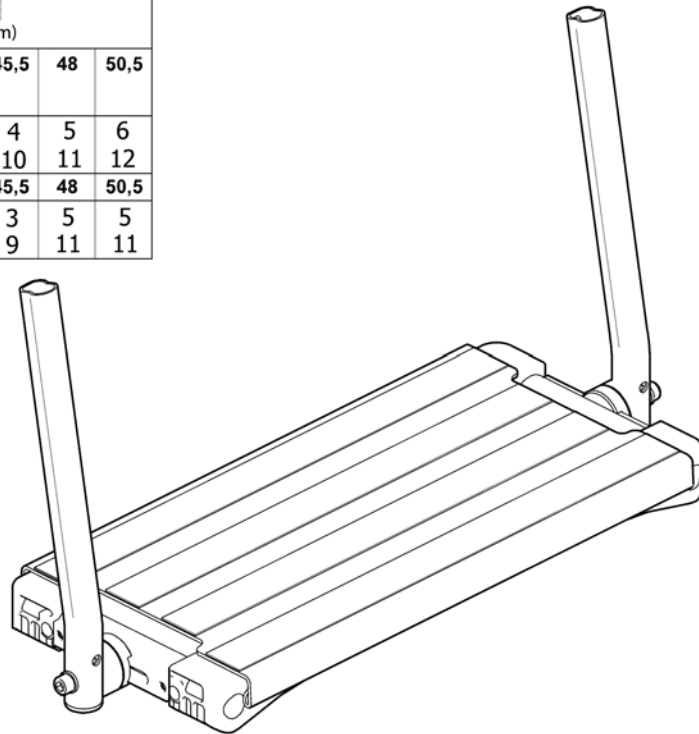
135mm	99-119mm	1
160mm	124-144mm	2



SP5255296

Pos.	Part number	Description	Valid from → until	Qty
1	SP5255297	Footplate extender w=135 pair		1
2	SP5255299	Footplate extender w=160 pair		1

SH (cm)	SW (cm)					
XLT swing SpinX Spirea2/3/4	38	40,5	43	45,5	48	50,5
38 - 48	1	2	3	4	5	6
50.5 - 53	7	8	9	10	11	12
Focus	38	40,5	43	45,5	48	50,5
36.5 - 46.5	1	1	3	3	5	5
49 - 54	7	7	9	9	11	11

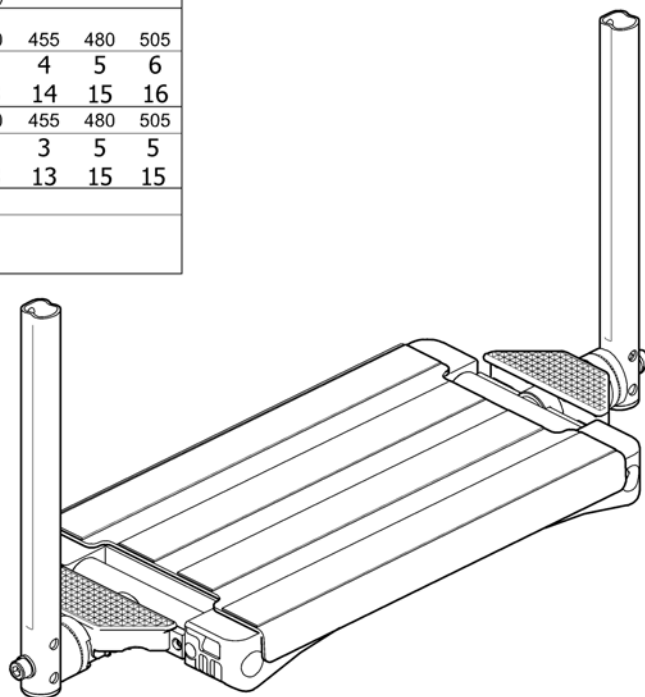


SPS 1496945

Pos.	Part number	Description	Valid from → until	Qty
1	1496945	One piece footboard, short tube, SW380 mm, depth and angle adjustable, hanger 80°		1
2	1496946	One piece footboard, short tube, SW405 mm, depth and angle adjustable, hanger 80°		1
3	1496947	One piece footboard, short tube, SW430 mm, depth and angle adjustable, hanger 80°		1
4	1496948	One piece footboard, short tube, SW455 mm, depth and angle adjustable, hanger 80°		1
5	1496949	One piece footboard, short tube, SW480 mm, depth and angle adjustable, hanger 80°		1
6	1496953	One piece footboard, short tube, SW505 mm, depth and angle adjustable, hanger 80°		1
7	1496954	One piece footboard, long, SW380, depth and angle adjustable, hanger 80°		1
8	1496955	One piece footboard, long, SW405, depth and angle adjustable, hanger 80°		1
9	1496982	One piece footboard, long, SW430, depth and angle adjustable, hanger 80°		1
10	1497004	One piece footboard, long, SW455, depth and angle adjustable, hanger 80°		1
11	1497005	One piece footboard, long, SW480, depth and angle adjustable, hanger 80°		1
12	1497006	One piece footboard, long, SW505, depth and angle adjustable, hanger 80°		1

Footrest one piece 90°

	SH (mm)		SW (mm)			
XLT Swing, Spin ^X , Spirea ⁴ NG	380	405	430	455	480	505
410 - 480	1	2	3	4	5	6
505 - 530	11	12	13	14	15	16
Focus	380	405	430	455	480	505
365 - 465	1	1	3	3	5	5
490 - 540	11	11	13	13	15	15
Focus 150	530	580				
440 - 490	7	7				
490 - 540	17	17				

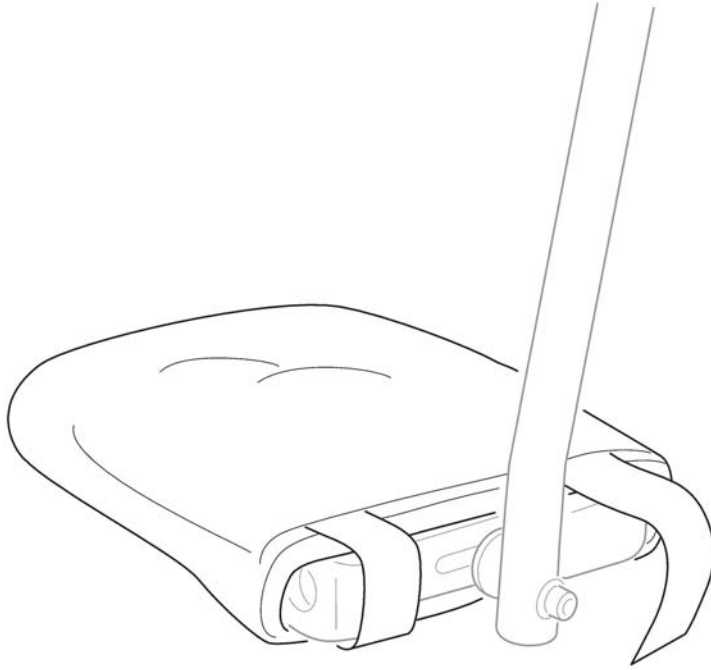


SP51491248

Pos.	Part number	Description	Valid from → until	Qty
1	1491247	FOOTREST ONE PIECE 197, ANGLE ADJ., SHORT		1
2	1491248	FOOTREST ONE PIECE 222, ANGLE ADJ., SHORT		1
3	1493267	FOOTREST ONE PIECE 247, ANGLE ADJ., SHORT		1
4	1493268	FOOTREST ONE PIECE 272, ANGLE ADJ., SHORT		1
5	1493269	FOOTREST ONE PIECE 297, ANGLE ADJ., SHORT		1
6	1493270	FOOTREST ONE PIECE 322, ANGLE ADJ., SHORT		1
7	1495821	FOOTREST ONE PIECE 347, ANGLE ADJ., SHORT		1
8	1495822	FOOTREST ONE PIECE 372, ANGLE ADJ., SHORT		1
9	1495823	FOOTREST ONE PIECE 397, ANGLE ADJ., SHORT		1
10	1495824	FOOTREST ONE PIECE 422, ANGLE ADJ., SHORT		1
11	1493349	FOOTREST ONE PIECE 197, ANGLE ADJ., LONG		1
12	1493350	FOOTREST ONE PIECE 222, ANGLE ADJ., LONG		1
13	1493351	FOOTREST ONE PIECE 247, ANGLE ADJ., LONG		1
14	1493358	FOOTREST ONE PIECE 272, ANGLE ADJ., LONG		1
15	1493359	FOOTREST ONE PIECE 297, ANGLE ADJ., LONG		1
16	1493377	FOOTREST ONE PIECE 322, ANGLE ADJ., LONG		1
17	1495825	FOOTREST ONE PIECE 347, ANGLE ADJ., LONG		1
18	1495826	FOOTREST ONE PIECE 372, ANGLE ADJ., LONG		1
19	1495827	FOOTREST ONE PIECE 397, ANGLE ADJ., LONG		1
20	1495828	FOOTREST ONE PIECE 422, ANGLE ADJ., LONG		1

Footplate cover

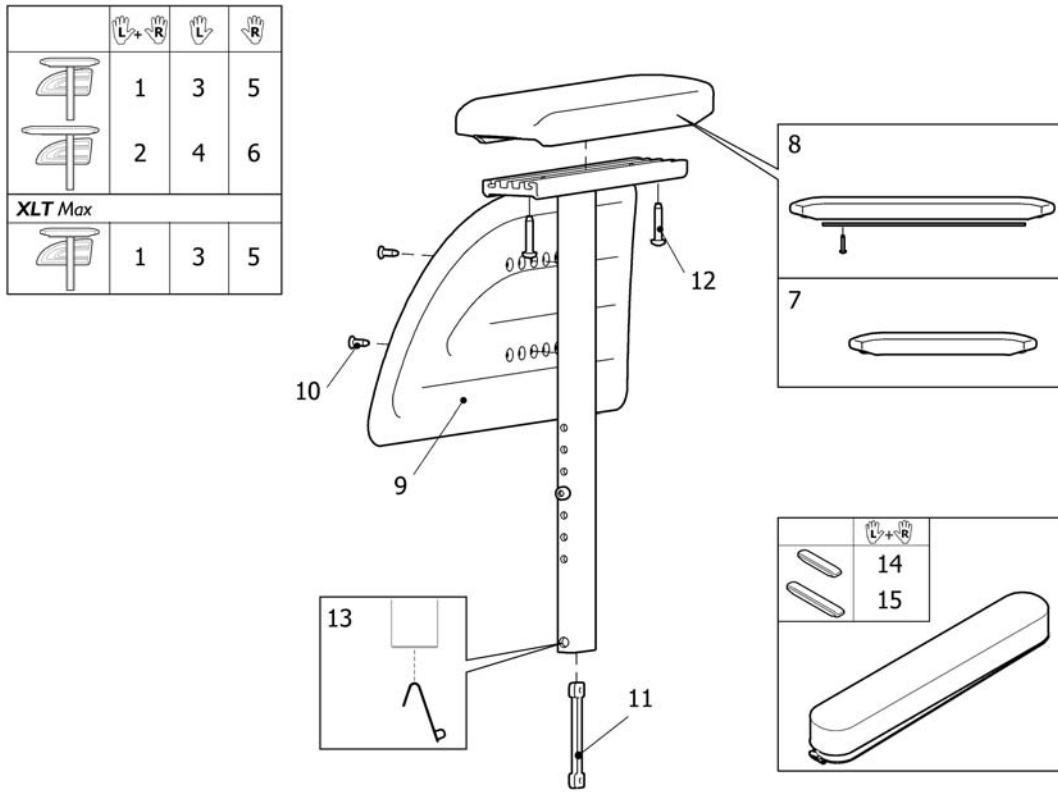
1



SP1563946

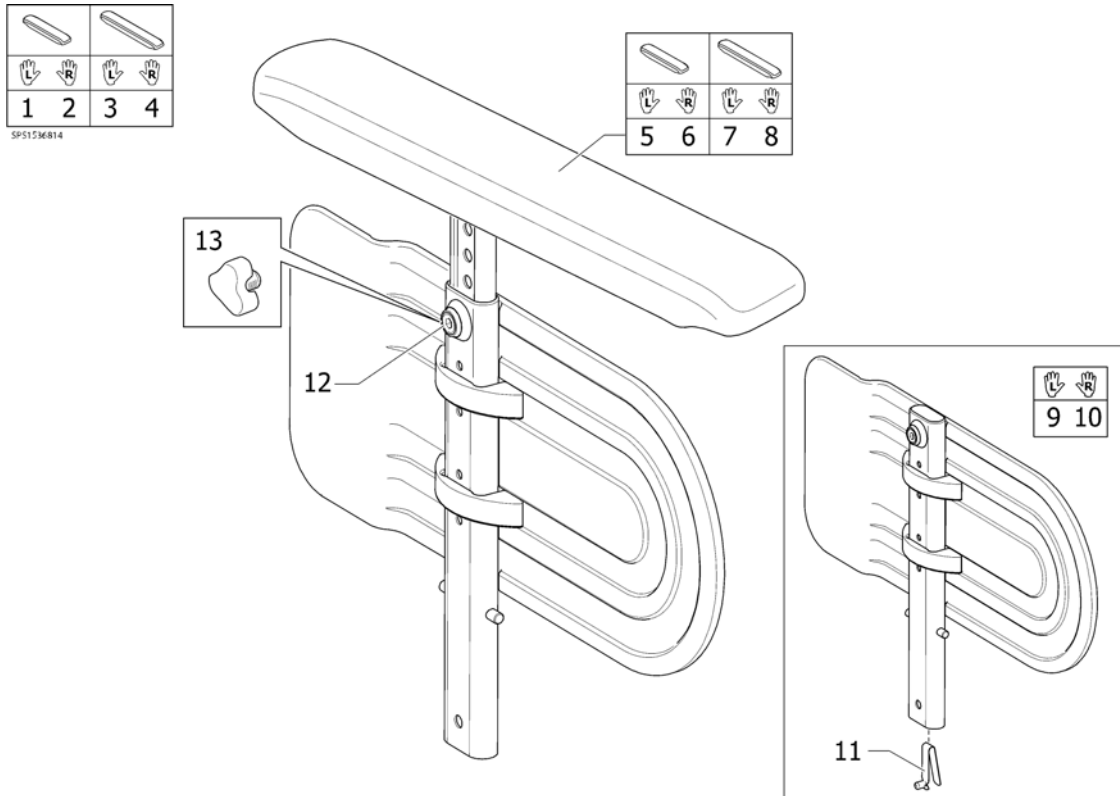
Pos.	Part number	Description	Valid from → until	Qty
1	SP1563946	COVER, FOOTPLATE		1

Armrest Rio, Height Adj.



Pos.	Part number	Description	Valid from → until	Qty
1	1435729	Armrest Ha, "Rio", Pair, Short Pad		1
2	1435731	Armrest Ha, "Rio", Pair, Long Pad		1
3	1435461	ARMREST HA, RIO , LEFT, SHORT PAD		1
4	1435487	Armrest Ha, "Rio", Left, Long Pad		1
5	1435460	ARMREST HA, RIO , RIGHT, SHORT PAD		1
6	1435486	Armrest Ha, "Rio", Right, Long Pad		1
7	1434676	Short armpad		1
8	1508064	Ampad Rio, Long, Cpl		1
9	1434725	Skirtguard Rio height adjustable		1
10	5724189	Screw Pt-Fx H K40x14 Zn.PI		1
11	1435388	double-nut		1
12	1440027	Screw K50x25		1
14	SP1574539	ARMPAD COVER, SHORT, BLACK PLUSH TR35		1
15	SP1574609	ARMPAD COVER, LONG, BLACK PLUSH TR35		1
13	1560734	Spring pin locked armrest		1

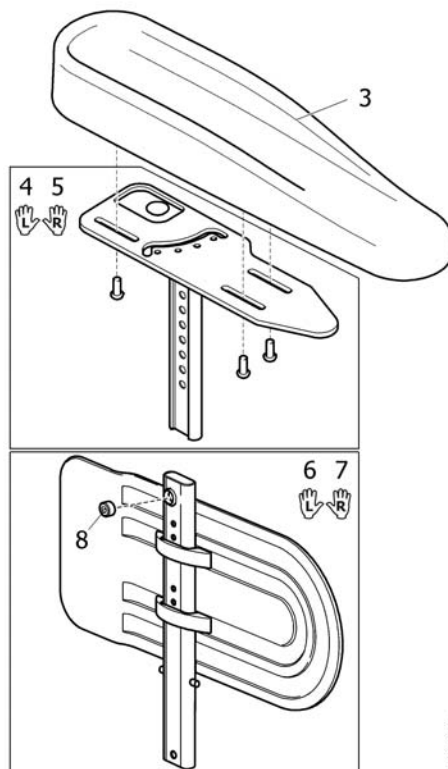
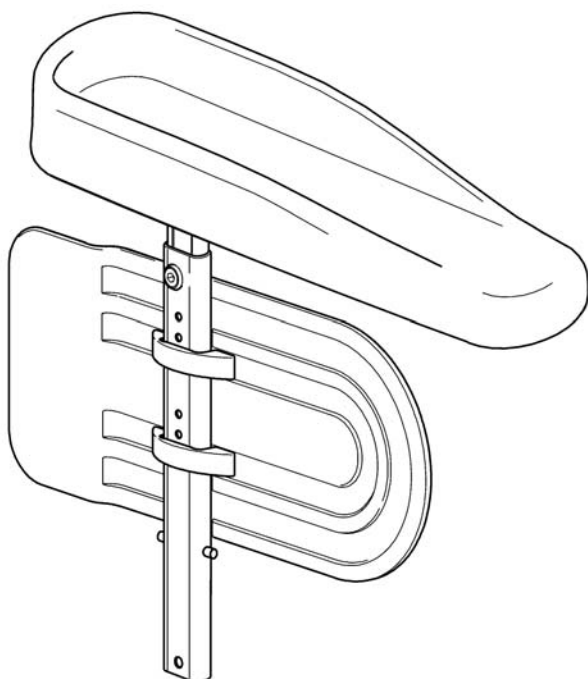
Armrest Comfort, Height Adj.



Pos.	Part number	Description	Valid from → until	Qty
1	1536814	Adjustable Armrest 4, Short Pad Lh		1
2	1536815	Adjustable Armrest 4, Short Pad Rh		1
3	1536816	Adjustable Armrest 4, Long Pad Lh		1
4	1536817	Adjustable Armrest 4, Long Pad Rh		1
5	1535636	Armrest 4 H/A Upper Part Short, Left, Spirea4		1
6	1535637	Armrest 4 H/A Upper Part Short, Right, Spirea4		1
7	1535638	Armrest 4 H/A Upper Part Long, Left, Spirea4		1
8	1535639	Armrest 4 H/A Upper Part Long, Right, Spirea4		1
9	1415521	Skirtguard LH, cpl.		1
10	1415520	Skirtguard RH, cpl.		1
11	1560734	Spring pin locked armrest		1
12	5106533	Locking screw M12X10		1
13	5221122	Handwheel M12		1

Armrest, hemiplegic

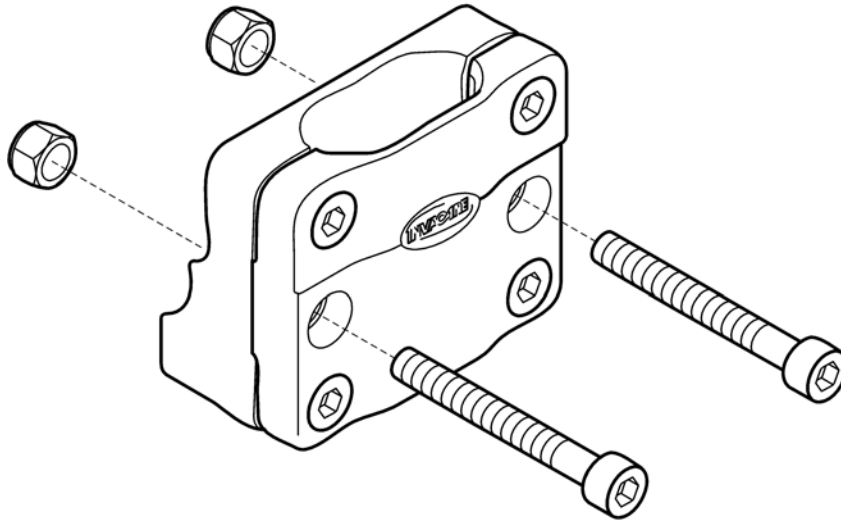
1 2
L R



SPS 1492900

Pos.	Part number	Description	Valid from → until	Qty
1	1492901	Hemiplegic Armrest,Lh		1
2	1492900	Hemiplegic Armrest,Rh		1
3	1493251	Hemi dartex armpad		1
4	1494006	Support Hemi armrest Lh		1
5	1494005	Support Hemi armrest Rh		1
6	1415520	Skirtguard RH, cpl.		1
7	1415521	Skirtguard LH, cpl.		1
8	5106533	Locking screw M12X10		1

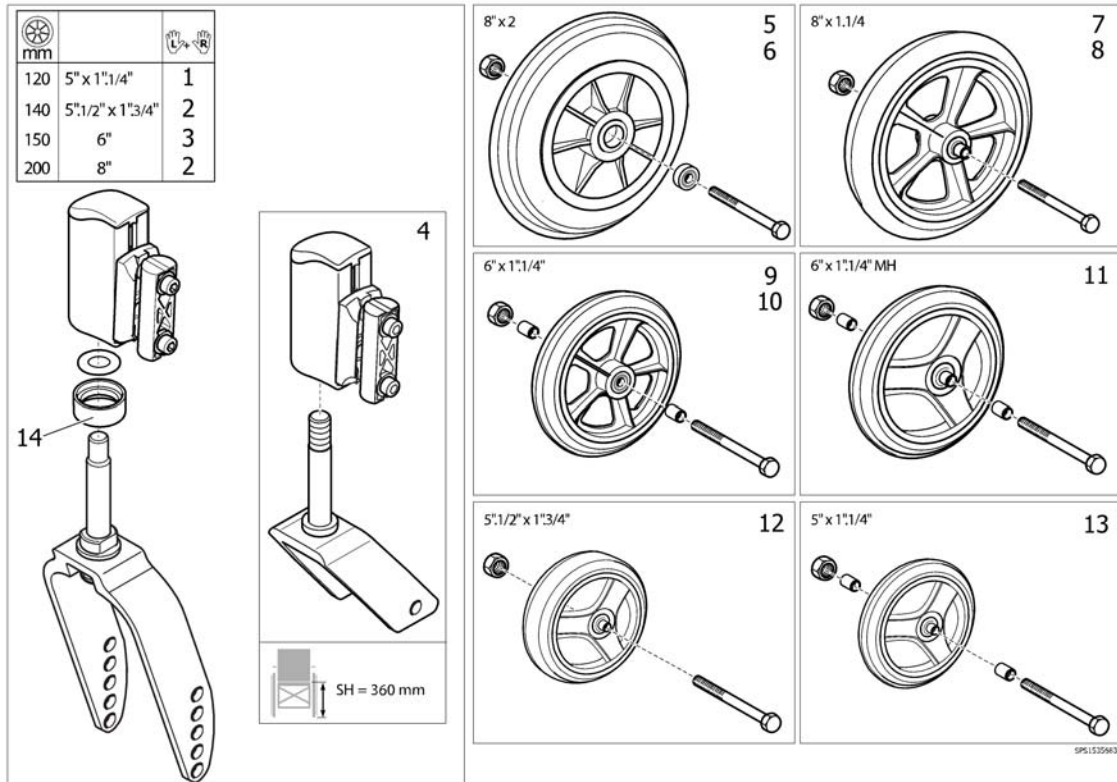
1



SPS1430421

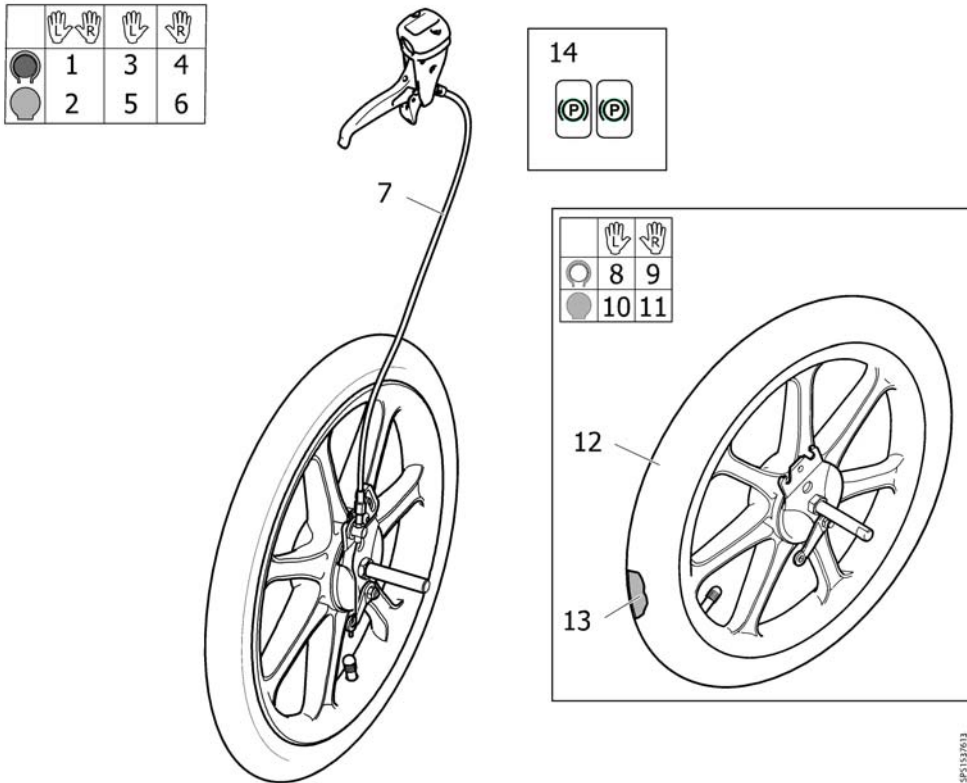
Pos.	Part number	Description	Valid from → until	Qty
1	1430421	Central armrest support		1

Castor



Pos.	Part number	Description	Valid from → until	Qty
1	1534977	Fork Low, Narrow, Pair (Attachment Incl.)		1
2	1535044	Fork, Wide, Pair (Attachment Incl.)		1
3	1535043	Fork, Narrow, Pair (Attachment Incl.)		1
4	1548510	Kit fork Action alu black W40, 1 position + axle + support adj ultra low		1
5	1431353	Castor 200mm (8" x 2"), Pneumatic, Cpl.		1
6	1431759	Castor 200mm (8" x 2"), Solid, Cpl.		1
7	1431351	Castor 200mm (8" x 1.1/4"), Pneumatic, Cpl.		1
8	1431352	Castor 200mm (8" x 1.1/4"), Solid, Cpl.		1
9	1450174	Front wheel 6"x 1.1/4" + axle, Solid type, L36 mm		1
10	1450175	6" castor pneumatic type complete width 36 mm		1
11	1450622	A4 6 Castor Medium Hard Type Complete L :36 mm		1
12	1515254	Front wheel 5,5"x 1.3/4" + axle, Medium Hard, Solid tyre, L60 mm		1
13	1450173	Front wheel 5" x 1" + axle, Solid Type, L36 mm		1
14	1529516-0618	Fork ring Champagne		1
15	1548510	Kit fork Action alu black W40, 1 position + axle + support adj ultra low		1

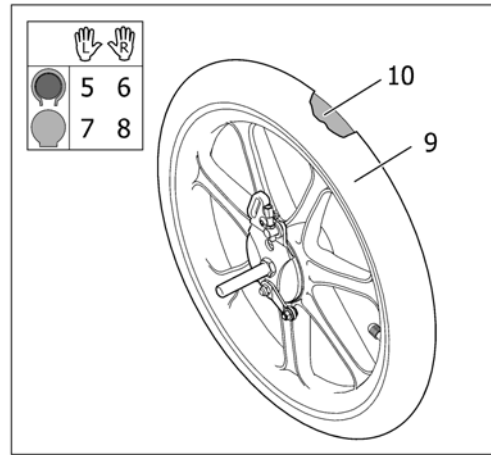
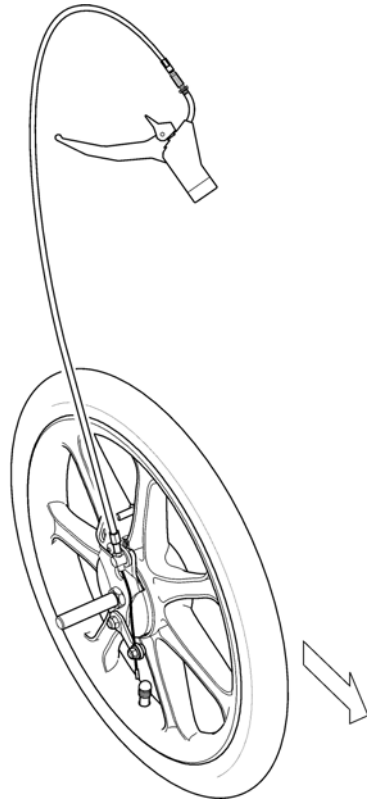
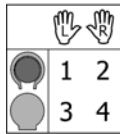
Wheels 16"



SP5133703

Pos.	Part number	Description	Valid from → until	Qty
1	1537615	WHEEL 16" DRUMBRAKE PNEU PAIR, INCL. CABLE ASSY.		1
2	1537613	WHEEL 16" DRUMBRAKE PNEU, LE INCL. CABLE ASSY.		1
3	1537614	WHEEL 16" DRUMBRAKE PNEU, RI INCL. CABLE ASSY.		1
4	1537618	WHEEL 16" DRUMBRAKE SOLID PAIR, INCL. CABLE ASSY.		1
5	1537616	WHEEL 16" DRUMBRAKE SOLID, LE INCL. CABLE ASSY.		1
6	1537617	WHEEL 16" DRUMBRAKE SOLID, RI INCL. CABLE ASSY.		1
7	1527423	Cable Assy 955, Brake		1
8	1537134	WHEEL 16" PNEU DB LEFT		1
9	1537133	WHEEL 16" PNEU DB RIGHT		1
10	1537136	WHEEL 16" SOLID DB LEFT		1
11	1537135	WHEEL 16" SOLID DB RIGHT		1
12	1440029	Tyre 16"x1,75 Pneu		1
13	5750778	Tube 16" x 1.75		0
14	1536764	DECAL, CABLE ASSEMBLY, BRAKE		1

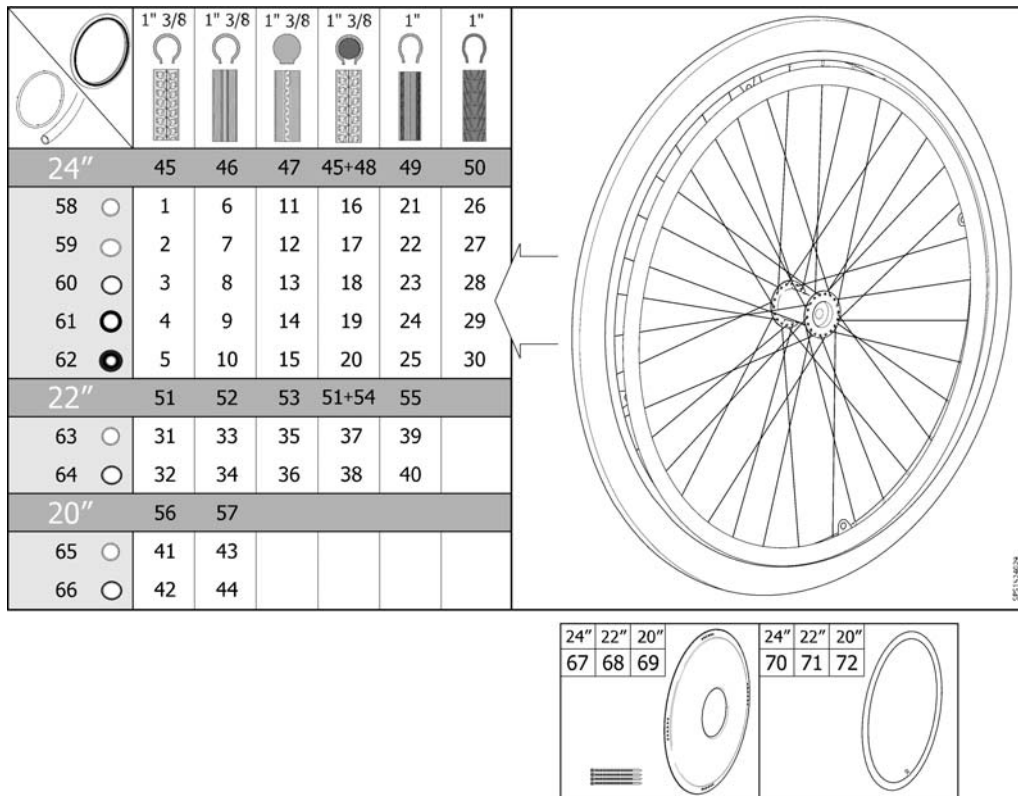
Wheel 16" (=> 2010.11)



SP5104M25

Pos.	Part number	Description	Valid from → until	Qty
1	5254328	Wheel 16"Db Pneu, Ri. + Cable Assy.		1
2	5254327	Wheel 16"Db Pneu, Le. + Cable Assy.		1
3	5254330	Wheel 16"Db Solid, Ri. + Cable Assy.		1
4	5254329	Wheel 16"Db Solid, Le. + Cable Assy.		1
5	1434825	Wheel 16" Pneu., Drumbrake, Right Mbl		1
6	1434826	Wheel 16" Pneu., Drumbrake, Left Mbl		1
7	1434827	Wheel 16" Solid, Drumbrake, Right Mbl		1
8	1434828	Wheel 16" Solid, Drumbrake, Left Mbl		1
9	1440029	Tyre 16"x1,75 Pneu		1
10	5750778	Tube 16" x 1.75		1
11	1518721	Cable Assembly Cpl, 16" Wheel		1

Wheel 24-22-20"



Pos.	Part number	Description	Valid from → until	Qty
1	1524030	Wheel 24" Pneu. Profiled + Handrim, Alu, Std2010		1
2	1524186	Wheel 24" Pneu. Profiled + Handrim, Plastic Coated, Std2010		1
3	1530764	Wheel 24" Pneu. Profiled + Handrim, Stainless, Std2010		1
4	1531508	Wheel 24" Pneu. Profiled + Handrim, Foam Coated, Std2010		1
5	1531563	Wheel 24" Pneu. Profiled + Handrim, Blackgrip, Std2010		1
6	1524029	Wheel 24" Pneu. Non-Marking + Handrim, Alu, Std2010		1
7	1524163	Wheel 24" Pneu. Non-Marking + Handrim, Plastic Coated, Std2010		1
8	1530763	Wheel 24" Pneu. Non-Marking + Handrim, Stainless, Std2010		1
9	1531462	Wheel 24" Pneu. Non-Marking + Handrim, Foam Coated, Std2010		1
10	1531538	Wheel 24" Pneu. Non-Marking + Handrim, Blackgrip, Std2010		1
11	1524050	Wheel 24" Solid + Handrim, Alu, Std2010		1
12	1524188	Wheel 24" Solid + Handrim, Plastic Coated, Std2010		1
13	1530762	Wheel 24" Solid + Handrim, Stainless, Std2010		1
14	1531531	Wheel 24" Solid + Handrim, Foam Coated, Std2010		1
15	1531564	Wheel 24" Solid + Handrim, Blackgrip, Std2010		1
16	1524150	Wheel 24" Punctureproof + Handrim, Alu, Std2010		1
17	1524189	Wheel 24" Punctureproof + Handrim, Plastic Coated, Std2010		1
18	1531129	Wheel 24" Punctureproof + Handrim, Stainless, Std2010		1
19	1531532	Wheel 24" Punctureproof + Handrim, Foam Coated, Std2010		1
20	1531565	Wheel 24" Punctureproof + Handrim, Blackgrip, Std2010		1
21	1524049	Wheel 24x1" Low Profile + Handrim, Alu., Std2010		1
22	1524187	Wheel 24x1" Low Profile + Handrim, Plastic Coated, Std2010		1
23	1531063	Wheel 24x1" Low Profile + Handrim, Stainless Steel, Std2010		1
24	1531533	Wheel 24x1" Low Profile + Handrim, Foam Coated, Std2010		1
25	1531566	Wheel 24x1" Low Profile + Handrim, Black Grip, Std2010		1
26	1532143	Wheel 24" Black Marathon + Handrim, Alu., Std2010		1
27	1532183	Wheel 24" Black Marathon + Handrim, Plastic Coated, Std2010		1
28	1532144	Wheel 24" Black Marathon + Handrim, Stainless Steel, Std2010		1
29	1532184	Wheel 24" Black Marathon + Handrim, Foam Coated, Std2010		1
30	1532185	Wheel 24" Black Marathon + Handrim, Black Grip, Std2010		1
31	1523949	Wheel 22" Pneu. Profiled + Handrim, Alu, Std2010		1

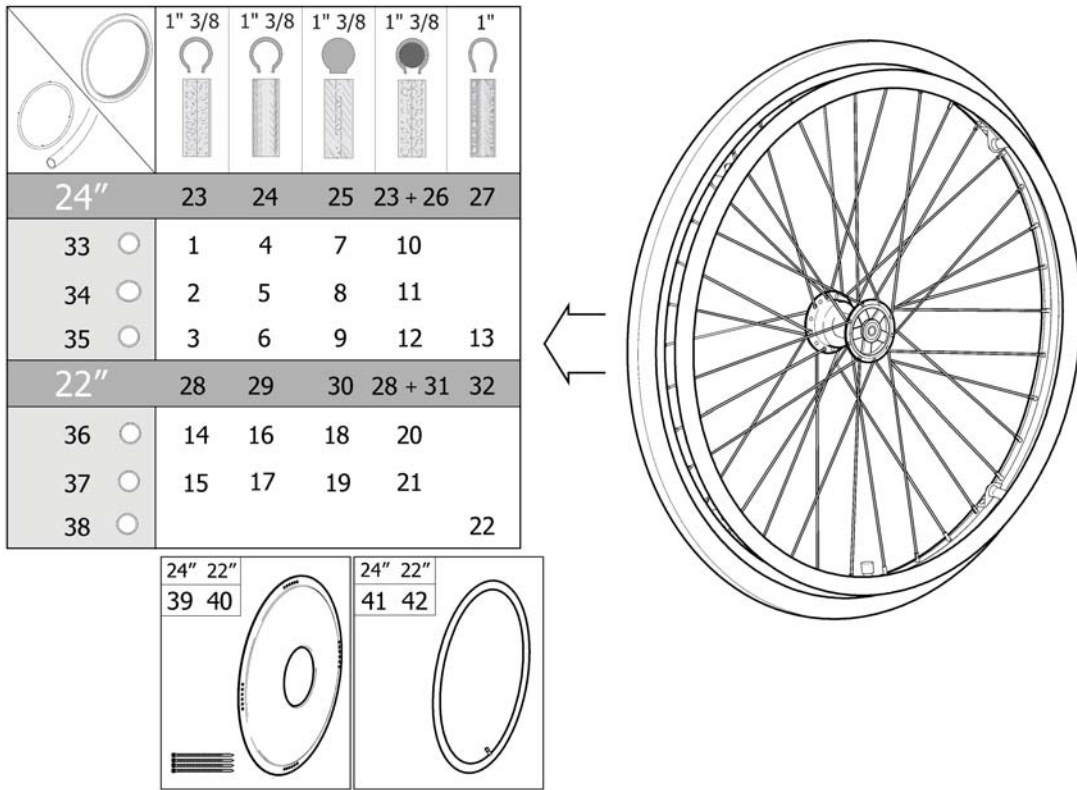
Wheel 24-22-20"

Pos.	Part number	Description	Valid from → until	Qty
32	1524024	Wheel 22" Pneu. Profiled + Handrim, Plastic Coated, Std2010		1
33	1523948	Wheel 22" Pneu. Non-Marking + Handrim, Alu, Std2010		1
34	1524023	Wheel 22" Pneu. Non-Marking + Handrim, Plastic Coated, Std2010		1
35	1524021	Wheel 22" Solid + Handrim, Alu, Std2010		1
36	1524027	Wheel 22" Solid + Handrim, Plastic Coated, Std2010		1
37	1524022	Wheel 22" Punctureproof + Handrim, Alu, Std2010		1
38	1524028	Wheel 22" Punctureproof + Handrim, Plastic Coated, Std2010		1
39	1524020	Wheel 22x1" Low Profile + Handrim, Alu., Std2010		1
40	1524026	Wheel 22x1" Low Profile + Handrim, Plastic Coated, Std2010		1
41	1523944	Wheel 20" Pneu. Profiled + Handrim, Alu, Std2010		1
42	1523945	Wheel 20" Pneu. Profiled + Handrim, Plastic Coated, Std2010		1
43	1523885	Wheel 20" Pneu. Non-Marking + Handrim, Alu, Std2010		1
44	1523902	Wheel 20" Pneu. Non-Marking + Handrim, Plastic Coated, Std2010		1
45	5750019	Tyre 24"x1 3/8", Profiled		1
46	5750014	Tyre 24"x1 3/8" (32-540), Non-Marking		1
47	5750015	Tyre 24"x1 3/8", Solid		1
48	5207046	Tube 24"x1 3/8", Flex		1
49	5750160	Tyre 24"x1" (25-540), Non-Marking		1
50	1512742	Tyre 24"x1" (25-540), Black Marathon		1
51	1531455	Tyre 22"x1 3/8" (37-501) Profiled		1
52	1531456	Pneumatic tyre, 22" x 1", HP, non marking		1
53	5750172	Tyre 22" Solid		1
54	5750732	Tube 22"x1 3/8", Flex		1
55	1531454	Tyre 22"x1" (25-501) Low Profile		1
56	5750017	Tyre 20"x1 3/8", Profiled		1
57	5750012	Tyre 20"x1 3/8", Non-Marking		1
58	1531577	Handrim Aluminium Cpl, 24" Wheel, Std2010		1
59	1531578	Handrim Plastic Cpl, 24" Wheel, Std2010		1
60	1531305	Handrim Stainless Cpl, 24" Wheel, Std2010		1
61	1531459	Handrim Foam Coated Cpl, 24" Wheel, Std2010		1
62	1531460	Handrim Black Grip Cpl, 24" Wheel, Std2010		1
63	1531579	Handrim Aluminium Cpl, 22" Wheel, Std2010		1
64	1531580	Handrim Plastic Cpl, 22" Wheel, Std2010		1
65	1530271	Handrim Aluminium Cpl, 20" Wheel, Std2010		1
66	1530272	Handrim Plastic Cpl, 20" Wheel, Std2010		1
67	5102807	Spoke Protection 24" Frosted Cpl		1
68	5102800	Spoke Protection 22" Frosted Cpl		1
69	5102795	Spoke Protection 20" Frosted Cpl		1
70	5750036	Tube 24"x1 3/8"		1
70	5750161	Tube 24"x1" (25-540)		1
71	5750035	Tube 22"x1 3/8"		1
72	5750034	Tube 20"x1 3/8"		1

Handrim Stainless Cpl, 24" Wheel, Std2010

Pos.	Part number	Description	Valid from → until	Qty
3854	1528924	SKRUV MRX M5X40 FZB, KLASS 4.8 PHIL, DIN 7985		4
3854	1529757	DRIVRING 24" ROSTFRI		1
3854	1531457	DISTANS DRIVRING L=22MM		4
3854	1531458	DISTANS DRIVRING L=5MM		4

Wheel 24-22" DB



981534416

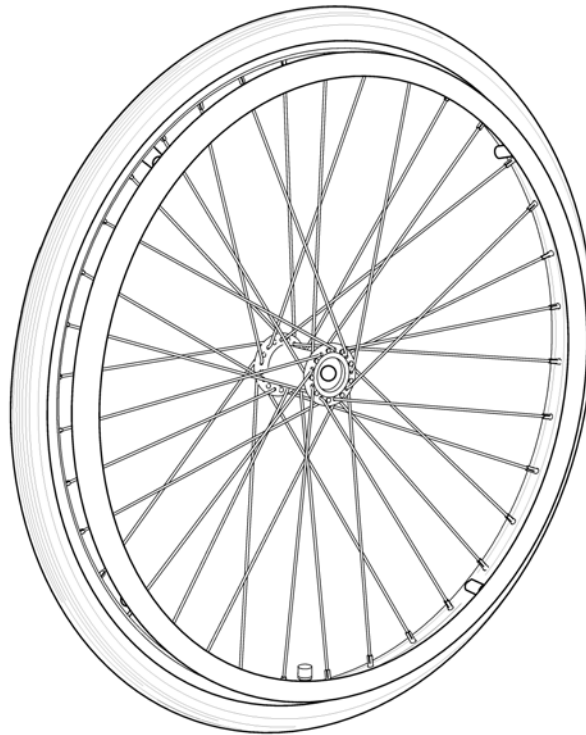
Pos.	Part number	Description	Valid from → until	Qty
1	1524437	Wheel 24" Db Pneu. Profiled + Handrim, Alu, Std2010		1
2	1524514	Wheel 24" Db Pneu. Profiled + Handrim, Plastic Coated, Std2010		1
3	1531080	Wheel 24" Db Pneu. Profiled + Handrim, Stainless, Std2010		1
4	1524436	Wheel 24" Db Pneu. Non-Marking + Handrim, Alu, Std2010		1
5	1524513	Wheel 24" Db Pneu. Non-Marking + Handrim, Plastic Coated, Std2010		1
6	1531064	Wheel 24" Db Pneu. Non-Marking + Handrim, Stainless, Std2010		1
7	1524447	Wheel 24" Db Solid + Handrim, Alu, Std2010		1
8	1524515	Wheel 24" Db Solid + Handrim, Plastic Coated, Std2010		1
9	1531127	Wheel 24" Db Solid + Handrim, Stainless, Std2010		1
10	1524512	Wheel 24" Db Punctureproof + Handrim, Alu, Std2010		1
11	1524516	Wheel 24" Db Punctureproof + Handrim, Plastic Coated, Std2010		1
12	1531128	Wheel 24" Db Punctureproof + Handrim, Stainless, Std2010		1
13	1536613	Wheel 24x1" Db Low Profile + Handrim, Stainless, Std2010		1
14	1524290	Wheel 22" Db Pneu. Profiled + Handrim, Alu, Std2010		1
15	1524361	Wheel 22" Db Pneu. Profiled + Handrim, Plastic Coated, Std2010		1
16	1524289	Wheel 22" Db Pneu. Non-Marking + Handrim, Alu, Std2010		1
17	1524337	Wheel 22" Db Pneu. Non-Marking + Handrim, Plastic Coated, Std2010		1
18	1524291	Wheel 22" Db Solid + Handrim, Alu, Std2010		1
19	1524388	Wheel 22" Db Solid + Handrim, Plastic Coated, Std2010		1
20	1524292	Wheel 22" Db Punctureproof + Handrim, Alu, Std2010		1
21	1524435	Wheel 22" Db Punctureproof + Handrim, Plastic Coated, Std2010		1
22	1536612	Wheel 22x1" Db Low Profile + Handrim, Stainless, Std2010		1
23	5750019	Tyre 24"x1 3/8", Profiled		1
24	5750014	Tyre 24"x1 3/8" (32-540), Non-Marking		1
25	5750015	Tyre 24"x1 3/8", Solid		1
26	5207046	Tube 24"x1 3/8", Flex		1
27	5750160	Tyre 24"x1" (25-540), Non-Marking		1
28	1531455	Tyre 22"x1 3/8" (37-501) Profiled		1
29	1531456	Pneumatic tyre, 22" x 1", HP, non marking		1
30	5750172	Tyre 22" Solid		1
31	5750732	Tube 22"x1 3/8", Flex		1

Wheel 24-22" DB

Pos.	Part number	Description	Valid from → until	Qty
32	1531454	Tyre 22"x1" (25-501) Low Profile		1
33	1531577	Handrim Aluminium Cpl, 24" Wheel, Std2010		1
34	1531578	Handrim Plastic Cpl, 24" Wheel, Std2010		1
35	1531305	Handrim Stainless Cpl, 24" Wheel, Std2010		1
36	1531579	Handrim Aluminium Cpl, 22" Wheel, Std2010		1
37	1531580	Handrim Plastic Cpl, 22" Wheel, Std2010		1
38	1536546	Handrim, Stainless Cpl, 22" Wheel, Std2010		1
39	5102807	Spoke Protection 24" Frosted Cpl		1
40	5102800	Spoke Protection 22" Frosted Cpl		1
41	5750036	Tube 24"x1 3/8"		1
42	5750035	Tube 22"x1 3/8"		1

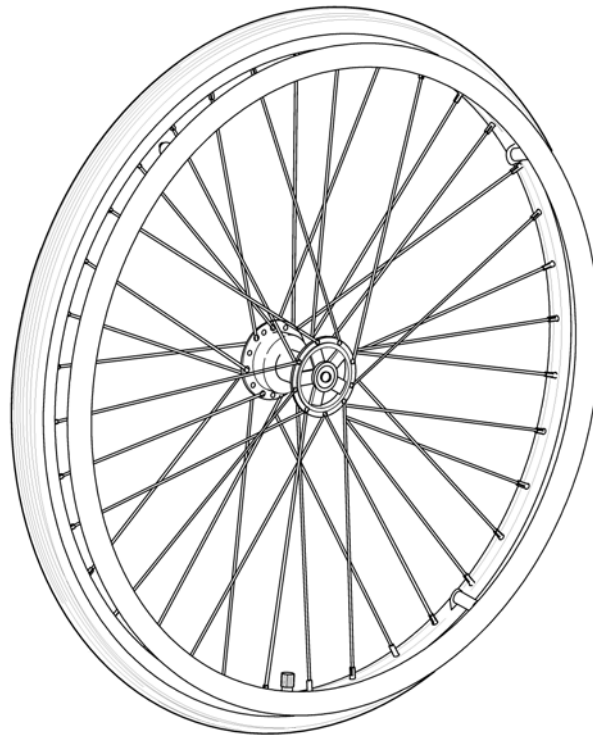
Wheels 24" Basic

24"



Pos.	Part number	Description	Valid from → until	Qty
1	1498423	24" x 1.3/8" wheel,spoked,anodized handrim,pneumatic		1
2	1498263	24" x 1.3/8" wheel,spoked,anodized handrim,solid tyre,		1

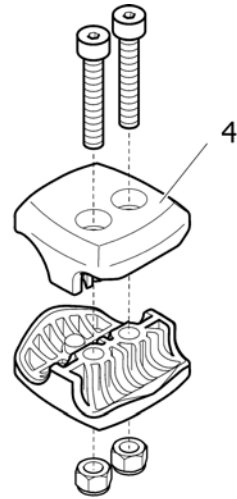
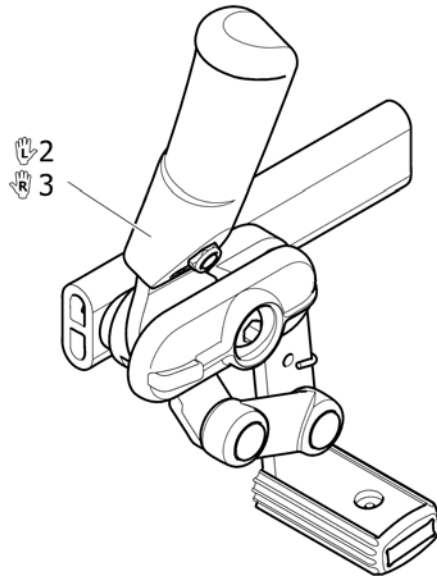
24" DB



Pos.	Part number	Description	Valid from → until	Qty
1	1492644	Wheel 24" Basic Db, Pneumatic, Profiled + Handrim 21", Alu.		1
2	1492645	Wheel 24" Basic Db, Solid + 21" Alu.		1

Push to lock brake

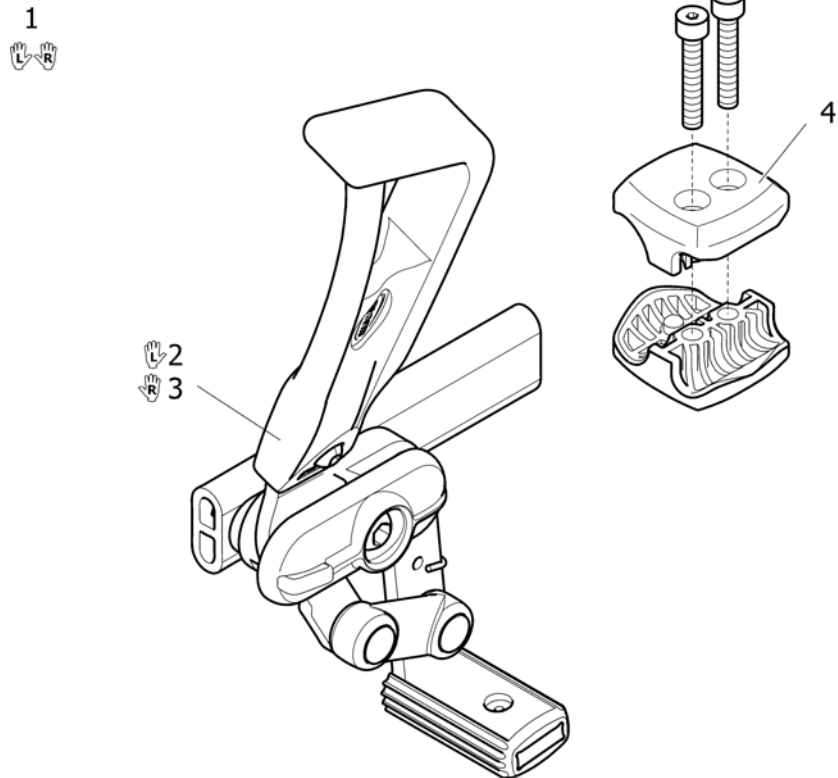
1

SP51431995

Pos.	Part number	Description	Valid from → until	Qty
1	1431995	Brake Push To Lock, Pair		1
2	1425634	Standard push brake Left		1
3	1425635	Standard push brake Right		1
4	1423107	Kit brake composite clamp black		1

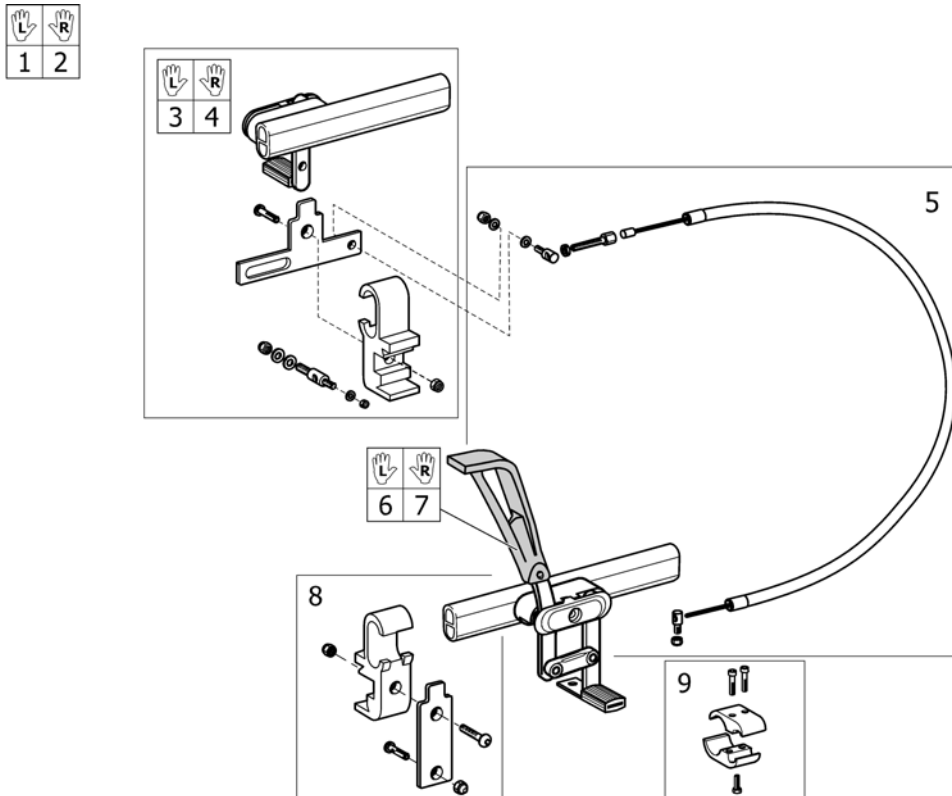
Push to lock brake, extended



SP51432520

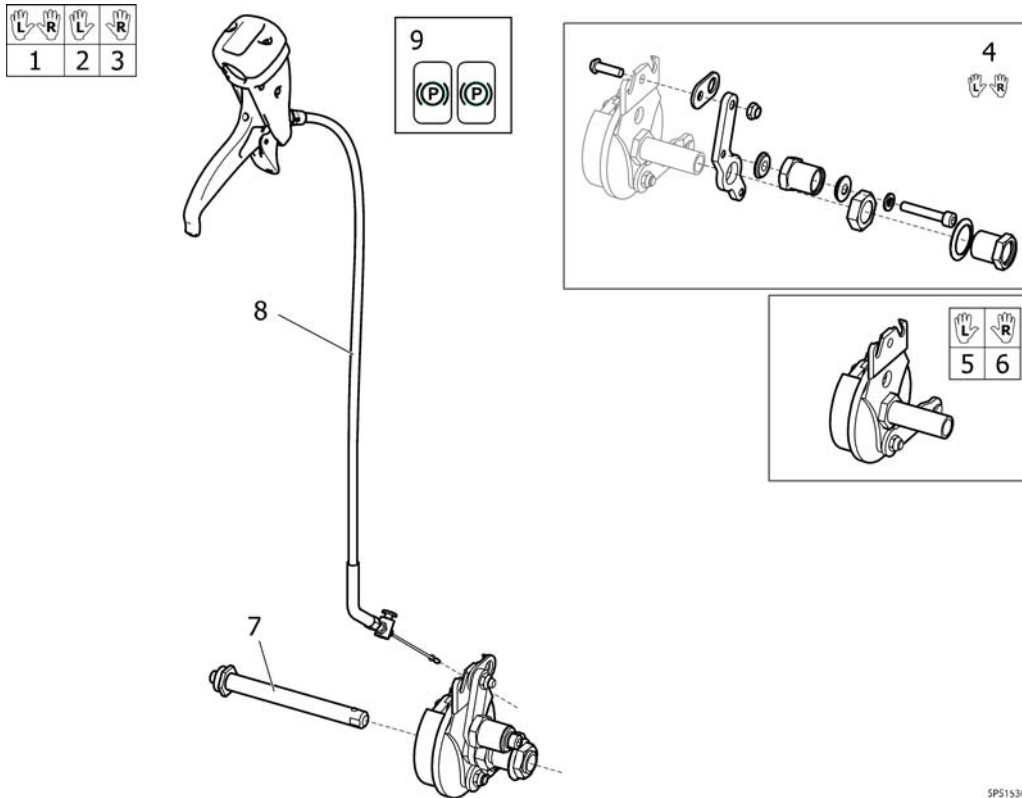
Pos.	Part number	Description	Valid from → until	Qty
1	1432520	Part not for sale		1
2	1425602	Lh Complet Brake With Lever Extension		1
3	1425603	Rh Complet Brake With Lever Extension		1
4	1423107	Kit brake composite clamp black		1

One arm brake



Pos.	Part number	Description	Valid from → until	Qty
1	1430203	Lh Oad Brake Wire Controled		1
2	1430202	Rh Oad Brake Wire Controled		1
3	1433461	Lh Wire Control Brake Complete + Clamp; Rh Control		1
4	1433462	Rh Wire Control Brake Complete + Clamp; Lh Control		1
5	1433464	Complet Cable Wire Control Brake		1
6	1430253	Lh Hemi Brake Action3		1
7	1430254	Rh Hemi Brake Action3		1
8	1433463	Wire Control Brake Clamp Kit		1
9	0572-05715	Kit brake support Alu anodisé incolore		1

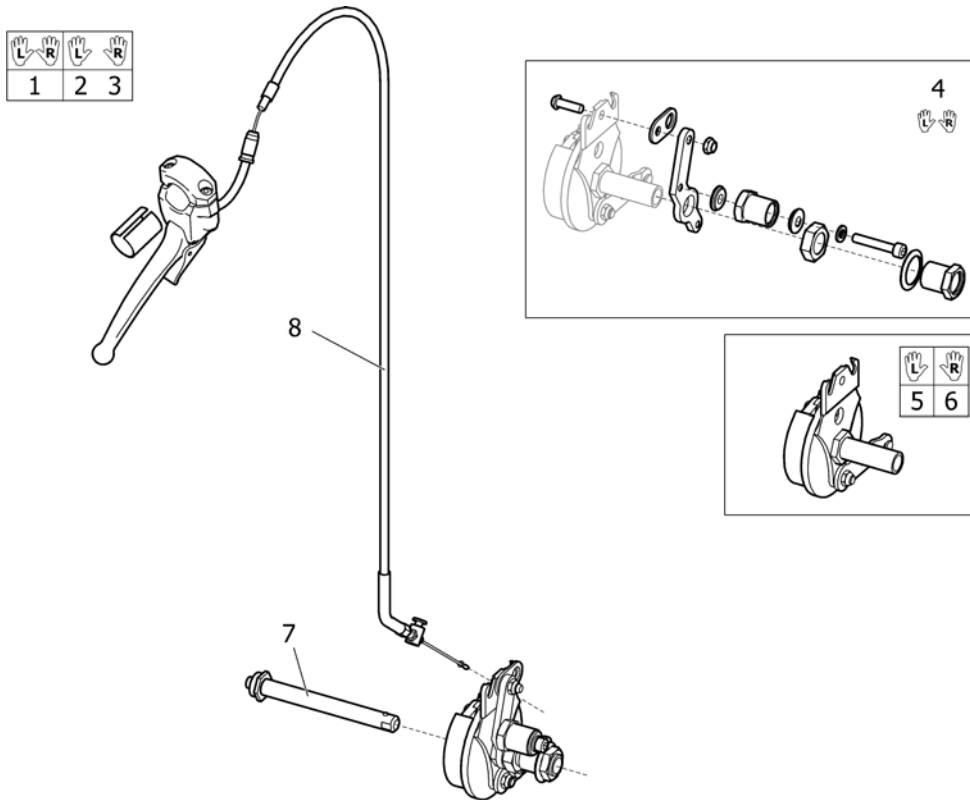
Drumbrake, assistant manoeuvred Spirea4



SP51536733

Pos.	Part number	Description	Valid from → until	Qty
1	1536732	BRAKE KIT 24" DB CPL, PAIR		1
2	1536733	BRAKE KIT 24" DB LEFT, CPL		1
3	1536734	BRAKE KIT 24" DB RIGHT, CPL		1
4	1535646	Attachment, Drumbrake Pair, Spirea 4 Ng		1
5	1536253	DRUMBRAKE UNIT, LEFT, MBL		1
6	1536252	DRUMBRAKE UNIT, RIGHT, MBL		1
7	5750192	Axle, Drumbrake		1
8	1536721	KIT, WIRE, DB, L=830		1
9	1536764	DECAL, CABLE ASSEMBLY, BRAKE		1

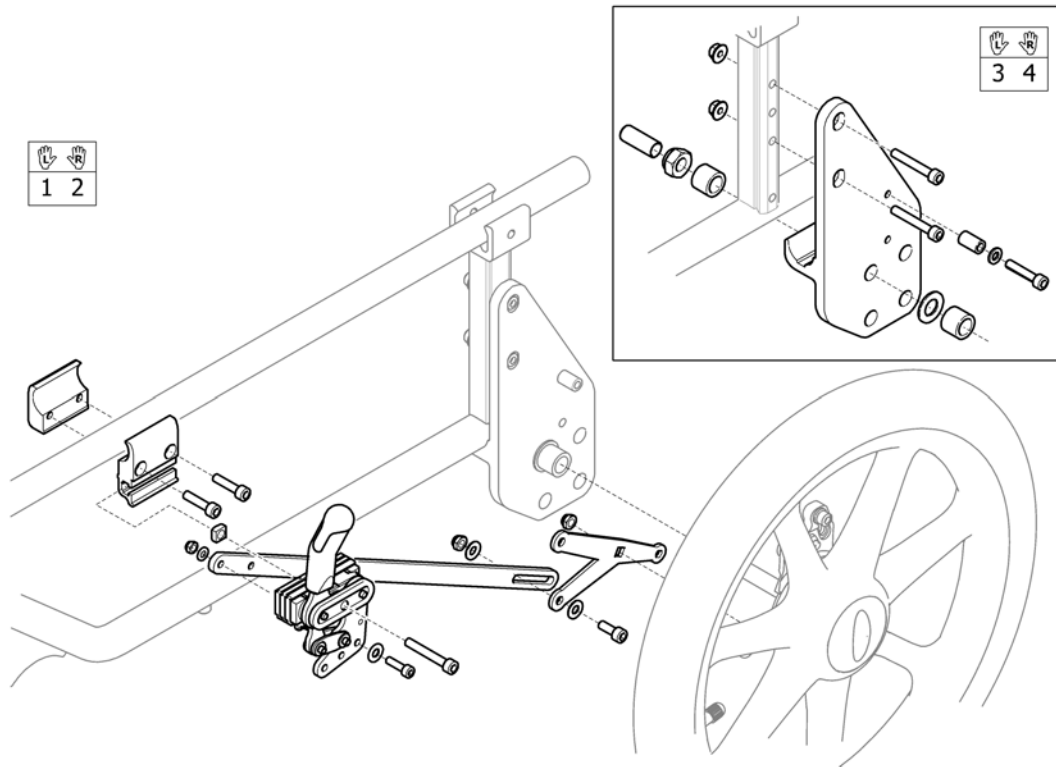
Drumbrake, assistant manoeuvred (=> 2010.11)



SP1535096

Pos.	Part number	Description	Valid from → until	Qty
1	1535066	Drum Brake, Kit, Pair		1
2	1535096	Kit, Drum Brake, Left Spirea 4		1
3	1529762	Kit, Drumbrake, Right Spirea 4		1
4	1535646	Attachment, Drumbrake Pair, Spirea 4 Ng		1
5	5750199	Drumbrake Unit, Lh		1
6	5750705	Drumbrake Unit, Rh		1
7	5750192	Axle, Drumbrake		1
8	1497616	Kit, Wire, Db, L=780		1

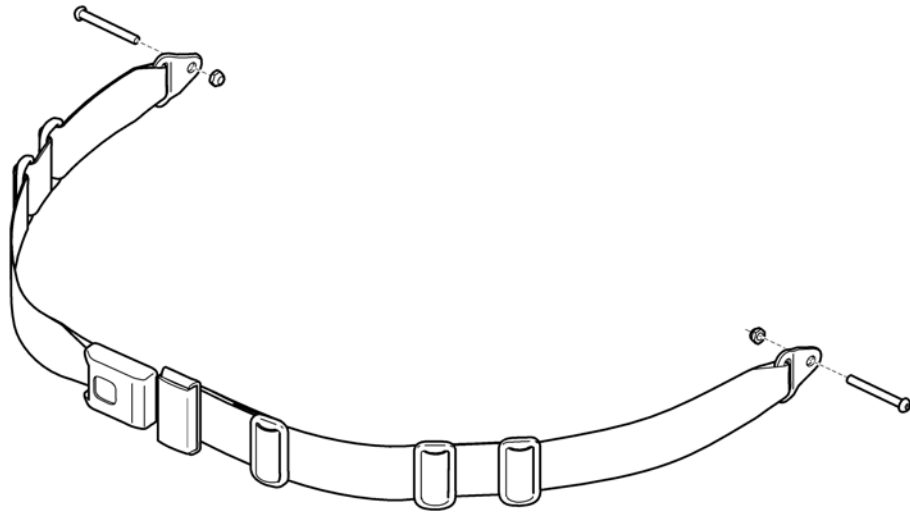
Drumbrake, User man., 16" wheel



Pos.	Part number	Description	Valid from → until	Qty
1	1533834	Brake, User Man. Db, Le		1
2	1533908	Brake, User Man. Db, Ri		1
3	1440040	Attachm., Rear Wheel 16" Lh		1
4	1435464	Attachm., Rear Wheel 16" Rh		1

Pelvic belt

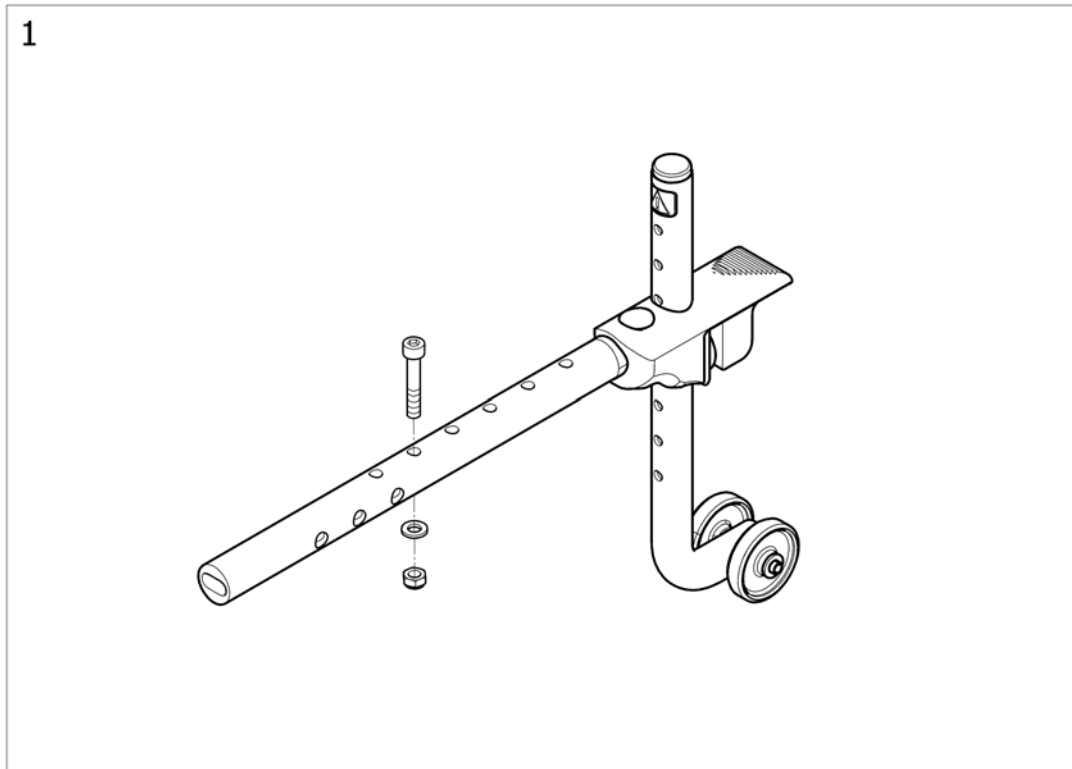
1



SPS150460

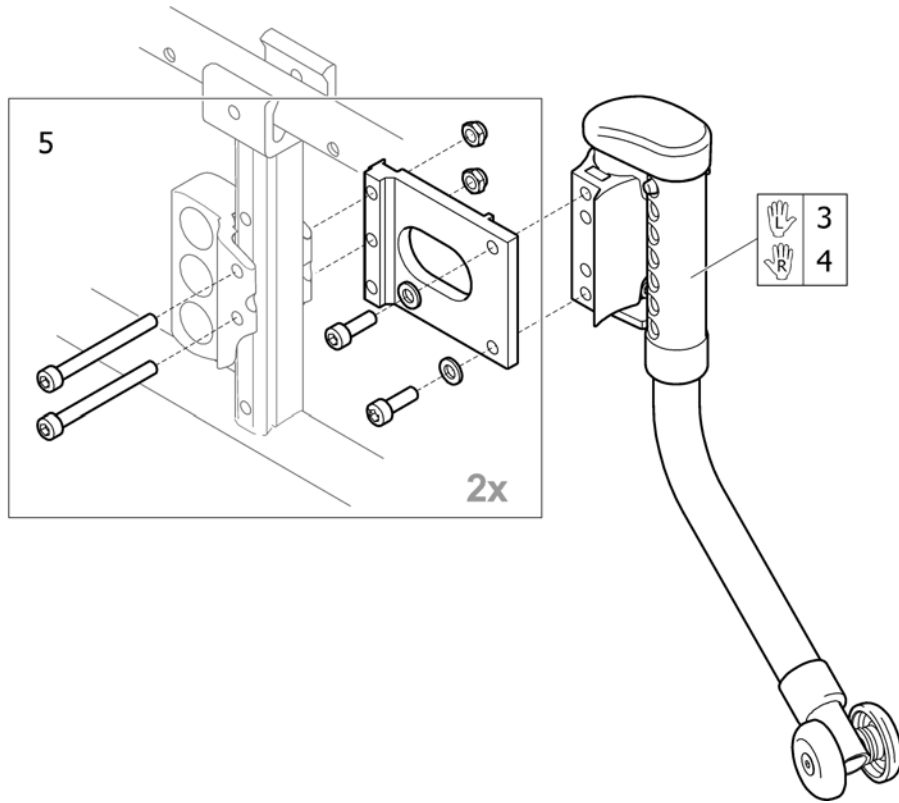
Pos.	Part number	Description	Valid from → until	Qty
1	1543660	PELVIC BELT INCL. ATTACHMENTS		1

Rear Anti Tippers



Pos.	Part number	Description	Valid from → until	Qty
1	1484890	Anti-tippers A3/A4 types (one side only)		2



Anti-tip, swingaway

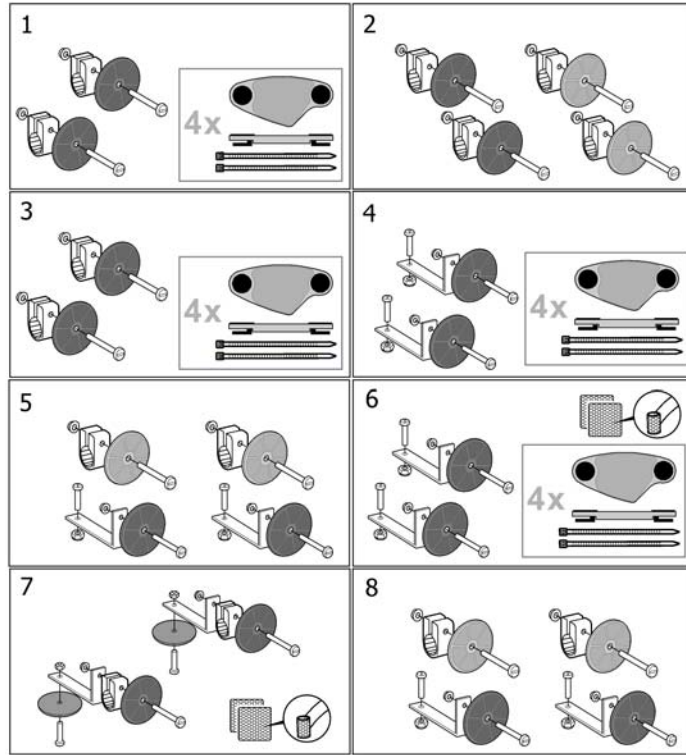


116531545

Pos.	Part number	Description	Valid from → until	Qty
1	1533911	Anti-Tip Device, Left, Cpl		1
2	1533912	Anti-Tip Device, Right, Cpl		1
3	1509928	Anti-Tip Device Swing Away, High, Le		1
4	1509929	Anti-Tip Device Swing Away, Low, Ri		1
5	1534723	Attachment Pair Anti Tip Device		1

Reflector

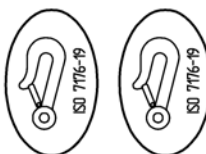
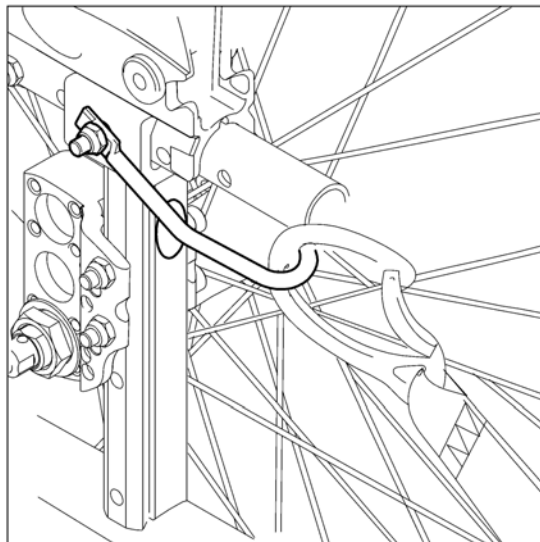
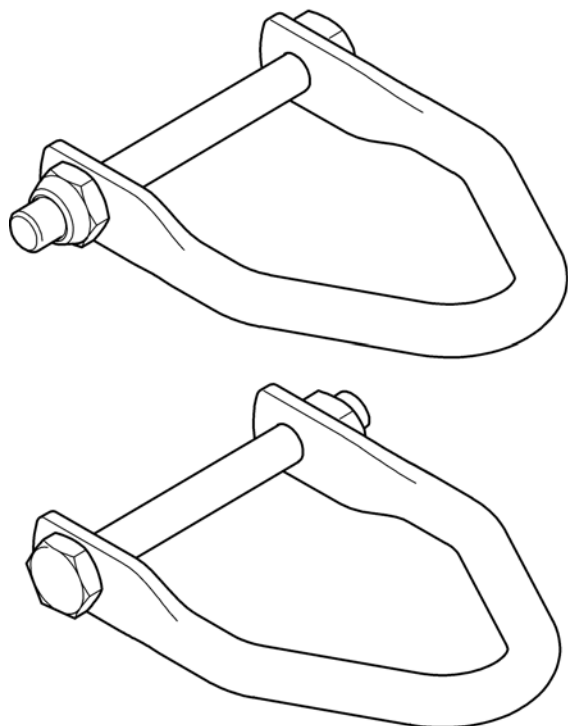
		
	20-26"	16"
Azalea	1	2
Bellis	3	3
Clematis	1	-
Focus	4	8
Spin ^x	1	-
Spirea ² , Spirea ³ , Spirea ^{4NG}	4	5
Wheeler	6	7
XLT, XLT Max	3	-



SP5206655

Pos.	Part number	Description	Valid from → until	Qty
1	SP5206655	Reflector kit 20-24"		1
2	SP5254249	Reflector kit 16"		1
3	5206640	Reflector Kit 3		1
4	5104965	Reflector Kit 5		1
5	1435760	Reflector Kit 6		1
6	5108147	Reflector Kit 7		1
7	5108024	Reflector Kit 8		1
8	1546559	Reflector Kit 9		1

Transport kit

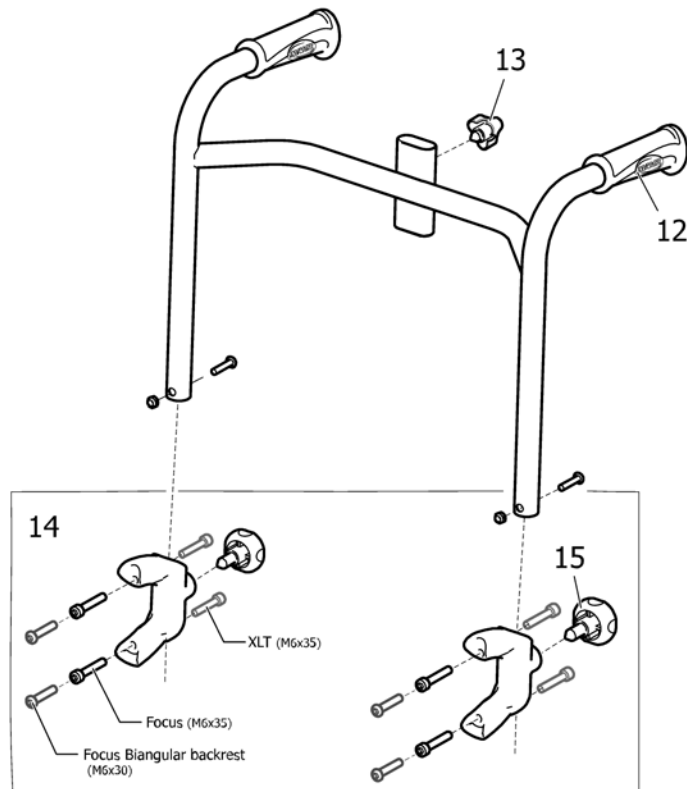


5P515134090

Pos.	Part number	Description	Valid from → until	Qty
	1534090	Transportation kit Action NG (pair)		1

Bar, Neck-Headrest

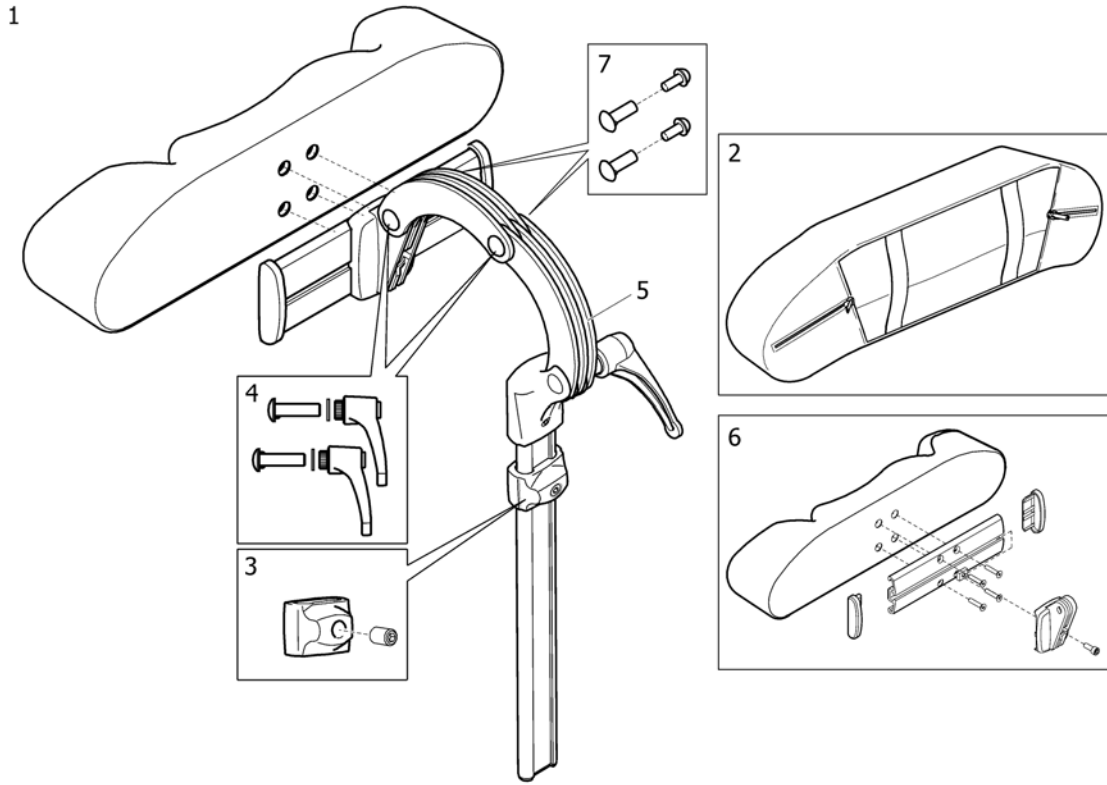
SW (cm)	
Focus, Spirea ³ , XLT	
33	1
35,5	2
38	3
40,5	4
43	5
45,5	6
48	7
50,5	8
53	9
55,5	10
60,5	11



SPS14135750

Pos.	Part number	Description	Valid from → until	Qty
1	1512900	Bow, Head & Neckrest, Sw 33/34		1
2	1530539	Bow, Head & Neckrest, Sw 35.5		1
3	1435750	Bow, Head & Neckrest, Sw 38 (355)		1
4	1483920	Bow, Head & Neckrest, Sw 40.5 (380)		1
5	1435751	Bow, Head & Neckrest, Sw 43 (405)		1
6	1483921	Bow, Head & Neckrest, Sw 45.5 (430)		1
7	1435752	Bow, Head & Neckrest, Sw 48 (455)		1
8	1483922	Bow, Head & Neckrest, Sw 50.5 (480)		1
9	1435539	Bow, Head & Neckrest, Sw 53 (505)		1
10	1532498	Bow, Head & Neckrest, Sw 55.5		1
11	1532563	Bow, Head & Neckrest, Sw 60.5		1
12	SP1429301	HANDLE 20MM, PAIR		1
13	5221122	Handwheel M12		1
14	1512904	Attachment, Pushhandles, Pair		1
15	1434841	Handwheel M10-22,5		1

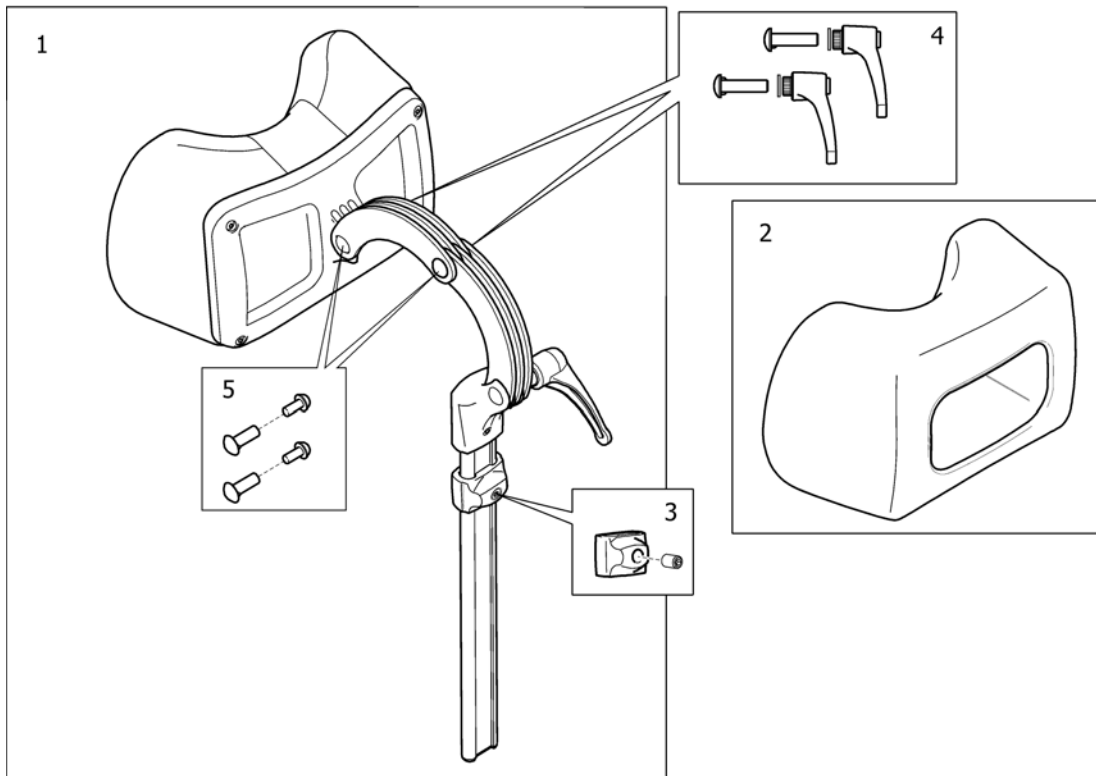
Headrest



SPS144659

Pos.	Part number	Description	Valid from → until	Qty
1	1446559	HEADREST TR26 CPL SIDEWISE ADJUSTABLE		1
2	1518516	Cover for headrest TR26		1
3	1448661	stop neck and headrest		1
4	1445693	HANDLES, CLINIC KIT NECK- AND HEADREST		1
5	1485538	Headrest fixation kit		1
6	1530755	HEADREST CUSHION CPL		1
7	SP1572769	FASTENERS KIT, HEAD- & NECKREST		1

Neckrest

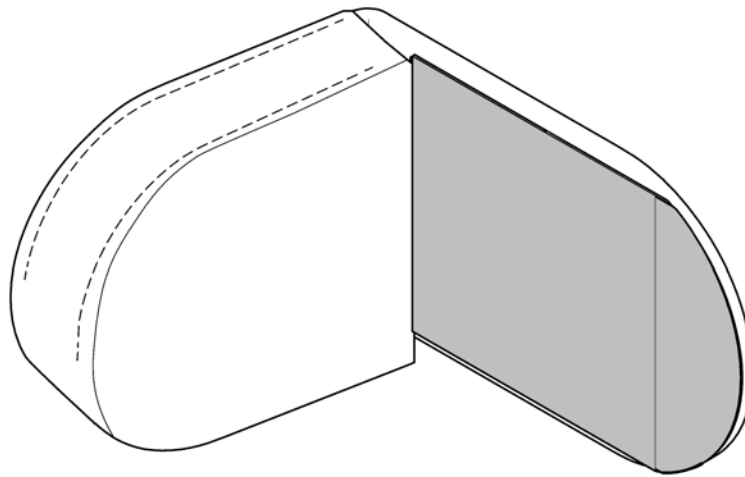


SP150848

Pos.	Part number	Description	Valid from → until	Qty
1	1508848	NECKREST, CPL		1
2	1518517	Cover neckrest TR34		1
3	1448661	stop neck and headrest		1
4	1445693	HANDLES, CLINIC KIT NECK- AND HEADREST		1
5	SP1572769	FASTENERS KIT, HEAD- & NECKREST		1

Position pad

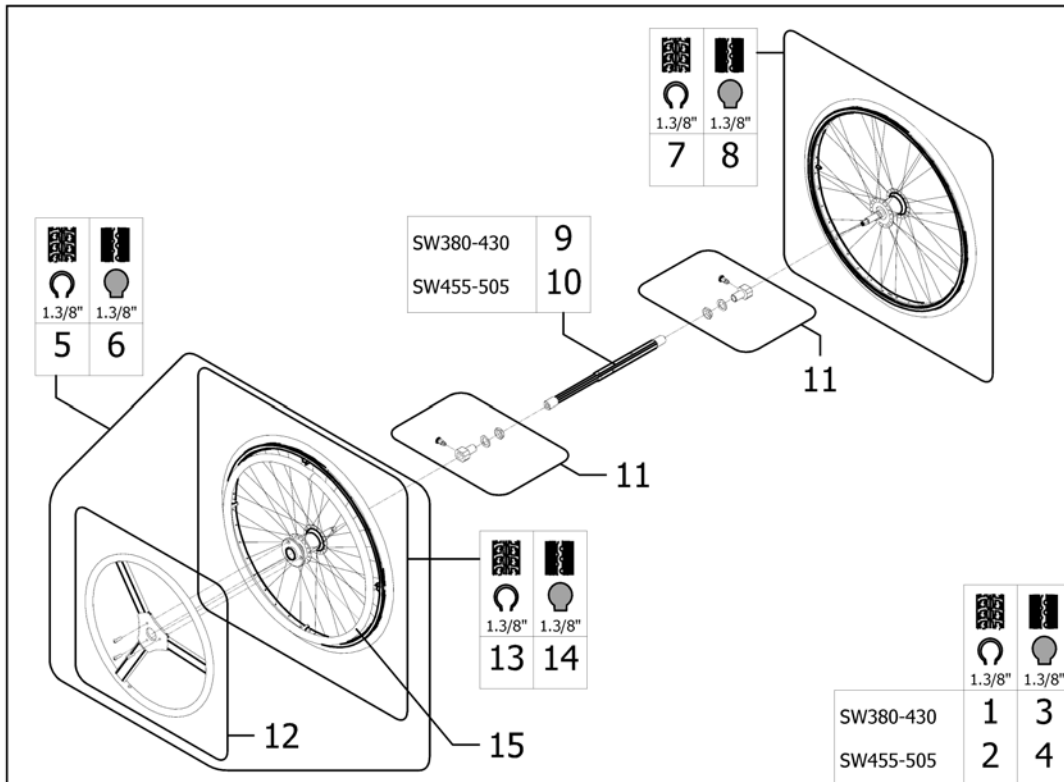
1



SPS1586426

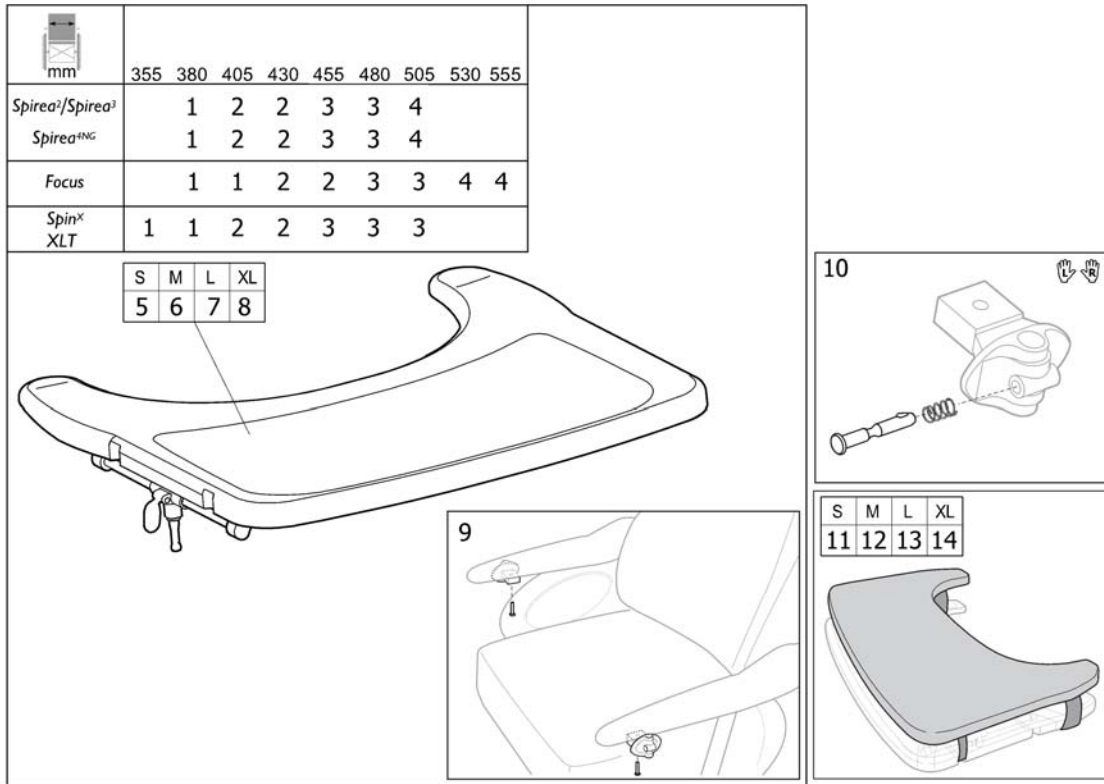
Pos.	Part number	Description	Valid from → until	Qty
1	SP1602253	Lateral positining pad		1

Dual handrim QR axle



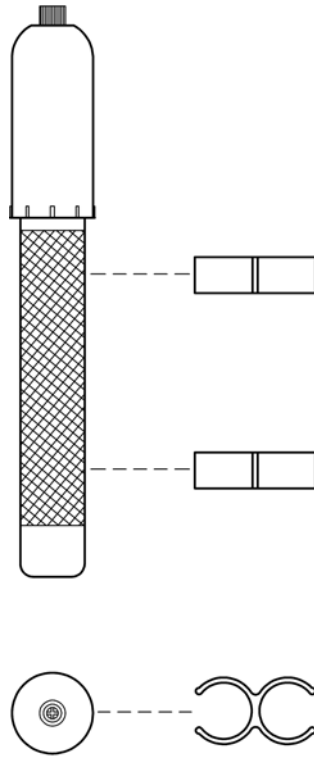
Pos.	Part number	Description	Valid from → until	Qty
1	1513269	Dual handrim DHR pneumatic kit assy SW380/405/430 mm		1
2	1513270	Dual handrim DHR pneumatic kit assy SW430/455/480/505 mm		1
3	1513271	Dual handrim DHR solid kit assy SW380/405/430 mm		1
4	1513272	Dual handrim DHR solid kit assy SW430/455/480/505 mm		1
5	1509382	24" DHR active wheel pneumatic		1
6	1509436	24" DHR active wheel solid		1
7	1508491	24" DHR passive wheel pneumatic		1
8	1508490	24" DHR passive wheel solid		1
9	1511769	Telescopic Shaft 270 mm -385mm		1
10	1508487	Telescopic Shaft 345 mm -460mm		1
11	1513658	DHR wheel axle support complet		1
12	SP1508484	Small handrim + fixations		1

Table tray



Pos.	Part number	Description	Valid from → until	Qty
1	SP1570747	TABLE TRAY SMALL INCL. MOUNTING KIT		1
2	SP1570748	Table tray MEDIUM incl. mounting kit		1
3	SP1570749	Table tray LARGE incl. mounting kit		1
4	SP1570775	Table tray X-LARGE incl. mounting kit		1
5	SP1567517	TABLE TRAY SMALL		1
6	SP1567518	Table tray Medium		1
7	SP1567519	Table tray Large		1
8	SP1568862	Table tray X-Large		1
9	SP1570745	Mounting Kit for table (pair)		1
10	SP1572460	Locking device for comfort tray (pair)		1
11	SP1570746	TABLE CUSHION, SMALL		1
12	SP1571269	TABLE CUSHION, MEDIUM		1
13	SP1571270	TABLE CUSHION, LARGE		1
14	SP1571271	TABLE CUSHION, X-LARGE		1

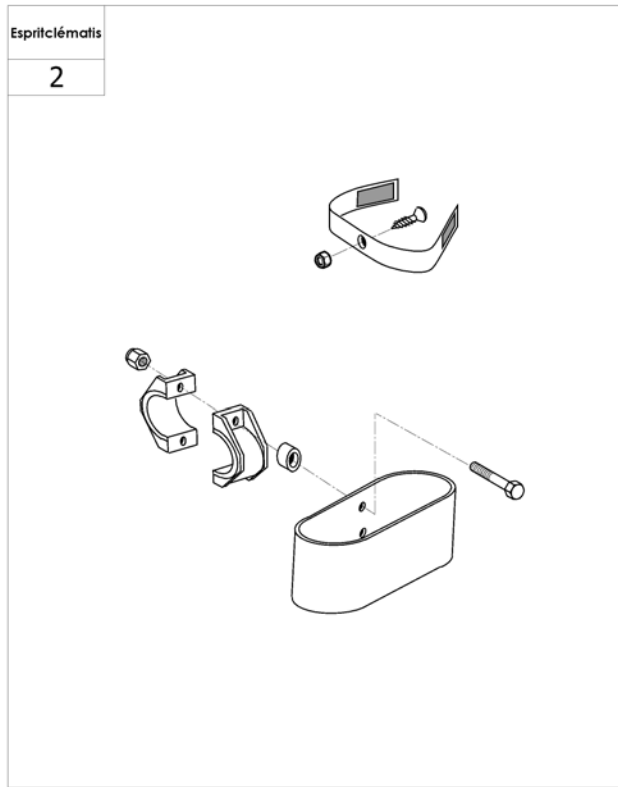
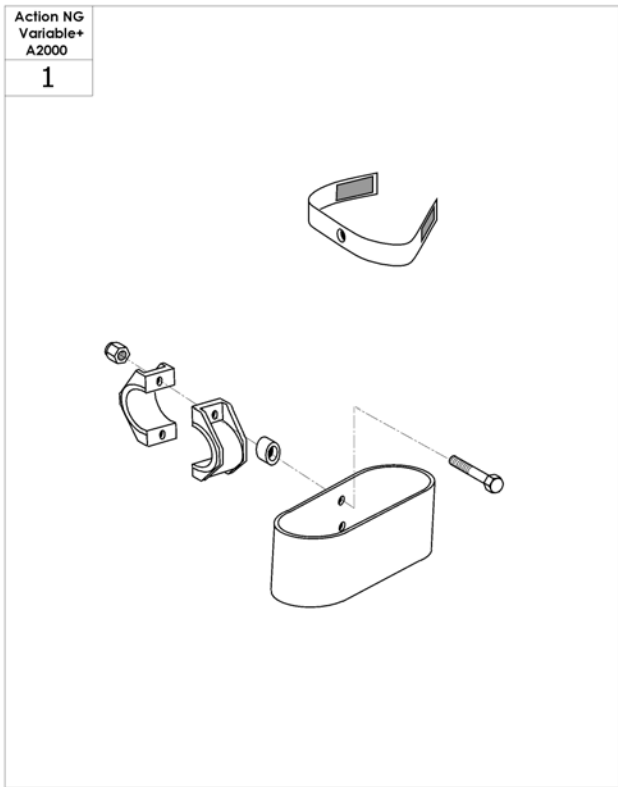
Pump



SPS575072€

Pos.	Part number	Description	Valid from → until	Qty
	5750729	Pump Cpl.		1

Cane holder

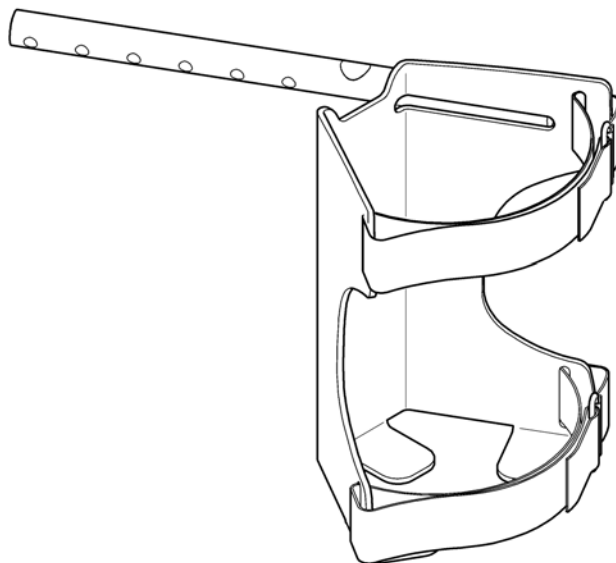


10455155401

Pos.	Part number	Description	Valid from → until	Qty
1	0572-02056	Cane holder		1
2	1568838	Cane Holder Esprit Clem		1

Oxygen bottle holder

1



SP1603590

Pos.	Part number	Description	Valid from → until	Qty
1	SP1603590	Oxygen bottle holder, cpl.		1



Yes, you can.®



Belgium & Luxemburg:

Invacare nv, Autobaan 22, B-8210 Loppem
Tel: (32) (0)50 83 10 10, Fax: (32) (0)50 83 10 11
belgium@invacare.com / www.invacare.be

Denmark:

Invacare A/S, Sdr. Ringvej 37, DK-2605 Brøndby
Tel: (45) (0)36 90 00 00, Fax: (45) (0)36 90 00 01
denmark@invacare.com / www.invacare.dk

Deutschland:

Invacare Aquatec GmbH, Alemannenstraße 10, D-88316 Isny
Tel: (49) (0)75 62 7 00 0, Fax: (49) (0)75 62 7 00 66
info@invacare-aquatec.com / www.invacare-aquatec.de

European Distributor Organisation:

Invacare, Kleiststraße 49, D-32457 Porta Westfalica
Tel: (49) (0)57 31 754 540, Fax: (49) (0)57 31 754 541
edo@invacare.com / www.invacare.eu.com

España:

Invacare SA, c/Areny s/n, Polígon Industrial de Celrà, E-17460 Celrà (Girona)
Tel: (34) (0)972 49 32 00, Fax: (34) (0)972 49 32 20
contactsp@invacare.com / www.invacare.es

France:

Invacare Poirier SAS, Route de St Roch, F-37230 Fondettes
Tel: (33) (0)2 47 62 64 66, Fax: (33) (0)2 47 42 12 24
contactfr@invacare.com / www.invacare.fr

Ireland:

Invacare Ireland Ltd, Unit 5 Seatown Business Campus, Seatown Road, Swords, County Dublin - Ireland
Tel: (353) 1 810 7084, Fax: (353) 1 810 7085
ireland@invacare.com / www.invacare.ie

Italia:

Invacare Mecc San s.r.l., Via dei Pini 62, I-36016 Thiene (VI)
Tel: (39) 0445 38 00 59, Fax: (39) 0445 38 00 34
italia@invacare.com / www.invacare.it

Nederland:

Invacare BV, Celsiusstraat 46, NL-6716 BZ Ede
Tel: (31) (0)318 695 757, Fax: (31) (0)318 695 758
nederland@invacare.com, csede@invacare.com / www.invacare.nl

Norge:

Invacare AS, Grensesvingen 9, Postboks 6230, Etterstad, N-0603 Oslo
Tel: (47) (0)22 57 95 00, Fax: (47) (0)22 57 95 01
norway@invacare.com, island@invacare.com / www.invacare.no

Österreich:

Invacare Austria GmbH, Herzog Odilostrasse 101, A-5310 Mondsee
Tel: (43) 6232 5535 0, Fax: (43) 6232 5535 4
info-austria@invacare.com / www.invacare.at

Portugal:

Invacare Lda, Rua Estrada Velha, 949, P-4465-784 Leça do Balio
Tel: (351) (0)225 1059 46/47, Fax: (351) (0)225 1057 39
portugal@invacare.com / www.invacare.pt

Sverige & Suomi:

Invacare AB, Fagerstagatan 9, S-163 91 Spånå
Tel: (46) (0)8 761 70 90, Fax: (46) (0)8 761 81 08
sweden@invacare.com, finland@invacare.com / www.invacare.se

Switzerland:

Invacare AG, Benkenstrasse 260, CH-4108 Witterswil
Tel: (41) (0)61 487 70 80, Fax: (41) (0)61 487 70 81
switzerland@invacare.com / www.invacare.ch

United Kingdom:

Invacare Limited, Pencoed Technology Park, Pencoed, Bridgend CF35 5AQ
Switchboard Tel: (44) (0)1656 776200, Fax: (44) (0)1656 776201
Customer services Tel: (44) (0)1656 776222, Fax: (44) (0)1656 776220
uk@invacare.com / www.invacare.co.uk