

Spare Parts Catalogue

Version: 2016/05/03b EN



rea Focus™



Yes, you can.®

General Information

For any order of spare parts the following information is required:

- Product type*
- Product name & model*
- Serial Number*
- Part-Number*
- Part-Description*

Exploded view drawings and code numbers are not contractual and subject to modification, in relation to Invacare® continuous product improvement policy to meet end users needs.

The reproduction or use of this work, or of any substantial part of this work, in any form or by any electronic, mechanical or other means, including photocopying, scanning and recording, and in any information storage and retrieval system, including electronic transmission, is forbidden without the prior written permission of Invacare® International Sarl.



Yes, you can.®

TABLE OF CONTENTS

Chassis

Chassis	5
Castor attachment	6
Rear wheel attachment	7
Rear wheel attachment, narrow	8

Seat

Seat cushion	9
Seat cushion, Mistral2	11
Seat cushion, Anatomic (Belgium only)	12

Backrest

Backrest attachment	13
Backrest attachment, biangular	14
Backrest tube	15
Backrest upholstery, fixed	16
Backrest upholstery, tension adj.	17
Backrest upholstery, tension adj. (->2012.04)	18
Backrest, LAGUNA2	19
Backrest, LAGUNA2, gas spring	21
Backrest MISTRAL2, tension adj.	23
Backrest MISTRAL2, tension adj. (->2012.04)	24
Push handles, external	25

Legrests

Legrest 80° Alu2003, Fixed	26
Legrest 90° Alu2003, Fixed	27
Legrest AA	28
Amputee legrest, Alu2003	29
Amputee legrest	30
Plaster legrest	31

Footrests

Footrest, fixed, Alu2003	32
Footrest 90°, Alu2003	33
Footrest, AA, Alu2003	34
Footrest, Alu2003, Bellis 150	36
Heel strap	37
Calf strap, Alu2003 legrest	38
Extender, footplate	39
Footrest one piece 80°	40
Footrest one piece 90°	41

Siderests

Armrest, Flip-up	42
Armrest Rio, Height Adj.	43
Armrest, Ducktail	44
Armrest attachment	45

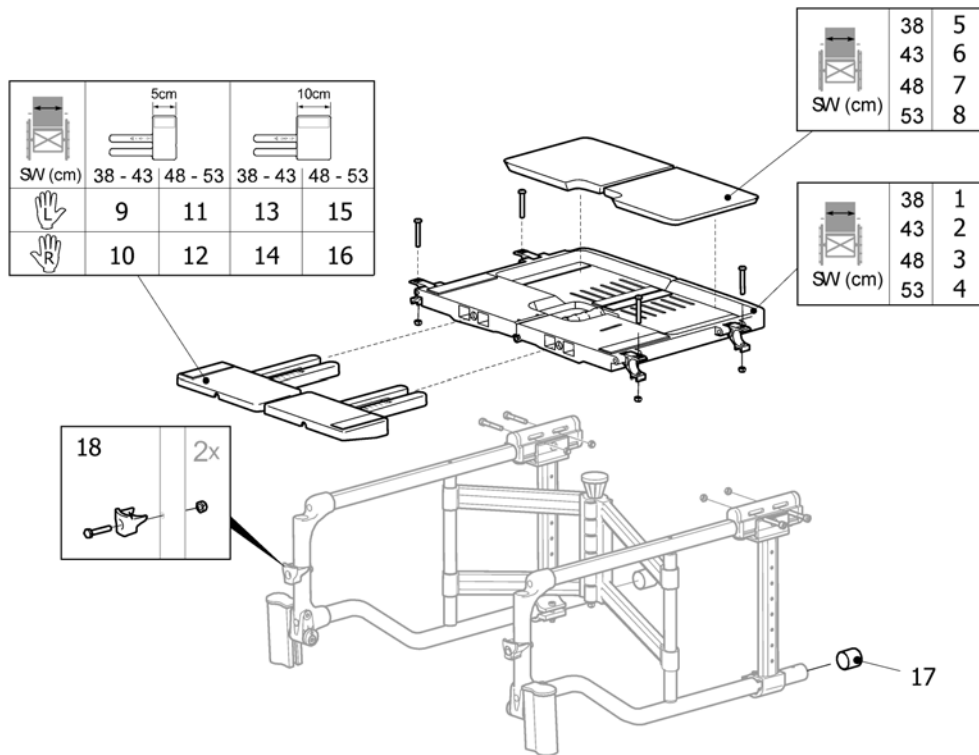


Yes, you can.®

TABLE OF CONTENTS

Armrest, hemiplegic	46
Front Wheels	
Castor wheels	47
Castor fork, adjustable	48
Rear Wheels	
Wheel 24-22-20"	49
Handrim Stainless Cpl, 24" Wheel, Std2010	51
Wheel 24-22" DB	52
Handrim Stainless Cpl, 24" Wheel, Std2010	51
Wheel 16"	54
Brakes	
Brake	55
Attachment Ri, Brake Extended	56
Brake extender	57
Drumbrake, assistant manoeuvred Focus	58
Drumbrake, assistant manoeuvred (=> 2010.11)	59
One arm brake	60
Safety Options	
Anti-tip device	61
Anti-tip device, swingaway	62
Reflector	63
Pelvic belt	64
Seating Options	
Bar, Neck-Headrest	65
Headrest	66
Neckrest	67
Trunk support, Laguna2, multi adjustable	68
Trunk support, Swingaway, Laguna2, gasspring	69
Trunk support, Swingaway, Laguna2, gasspring (->2012.04)	70
Others Options & Accessories	
Step tube	71
Backrest stay	72
Crutch holder Focus	73
Table tray	74

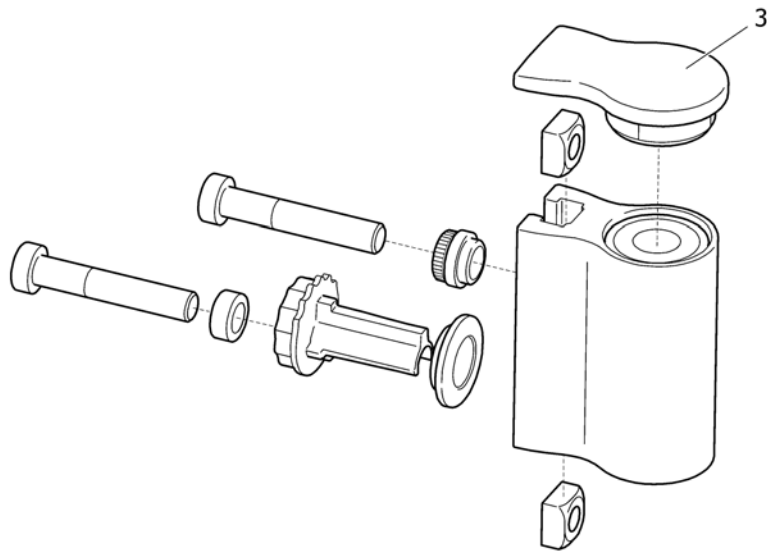
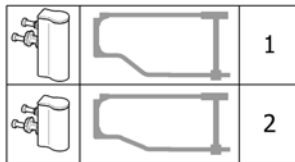
Chassis



SPR1435532

Pos.	Part number	Description	Valid from → until	Qty
1	1434746	SEAT 38		1
2	1434747	SEAT 43		1
3	1434748	SEAT 48		1
4	1434749	SEAT 53		1
5	1434768	CUSHION, INLAY, PLASTIC SEAT 38		1
6	1434769	CUSHION, INLAY, PLASTIC SEAT 43		1
7	1434770	CUSHION, INLAY, PLASTIC SEAT 48		1
8	1434771	CUSHION, INLAY, PLASTIC SEAT 53		1
9	1435519	EXTENSION SHORT (5CM) LE,CPL, SEAT 38-43		1
10	1435515	EXTENSION SHORT (5CM) RI, CPL, SEAT 38-43		1
11	1435521	EXTENSION SHORT (5CM) LE,CPL, SEAT 48-53		1
12	1435517	EXTENSION SHORT (5CM) RI, CPL, SEAT 48-53		1
13	1435520	EXTENSION LONG (10CM) LE,CPL, SEAT 38-43		1
14	1435516	EXTENSION LONG (10CM) RI, CPL, SEAT 38-43		1
15	1435522	EXTENSION LONG (10CM) LE,CPL, SEAT 48-53		1
16	1435518	EXTENSION LONG (10CM) RI, CPL, SEAT 48-53		1
17	5716276	Plastic cap, K25, Black		1
18	1508091	KIT, LEGREST ATTACHM. BLOCK PAIR		1

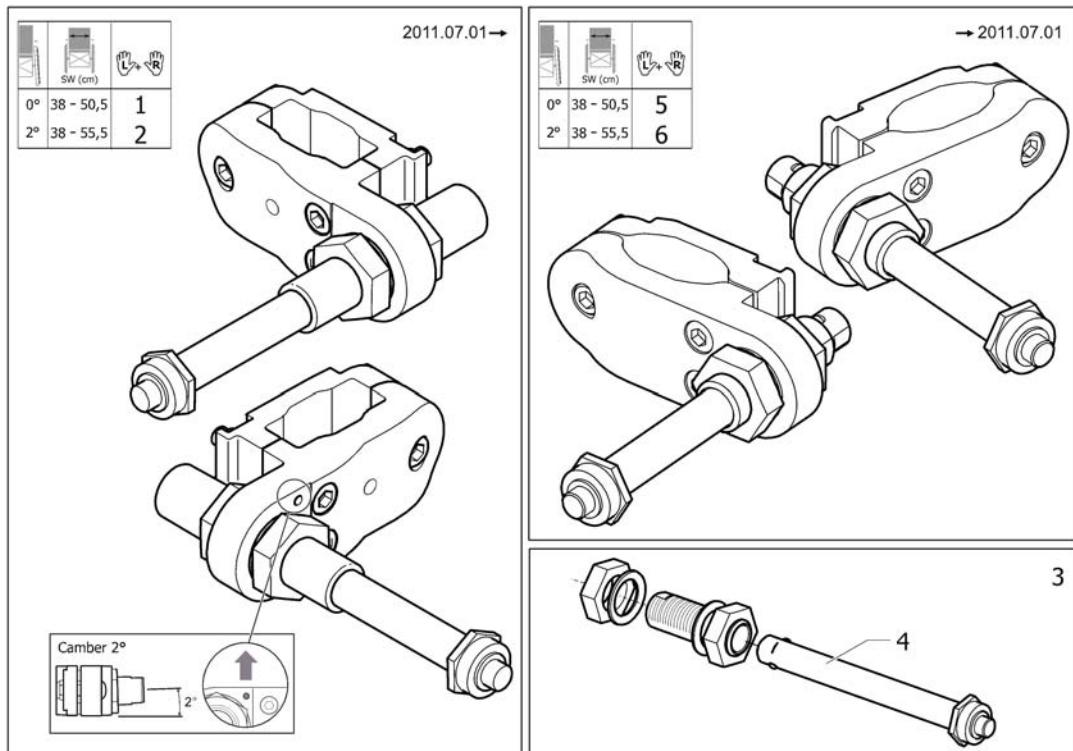
Castor attachment



EPS 1488502

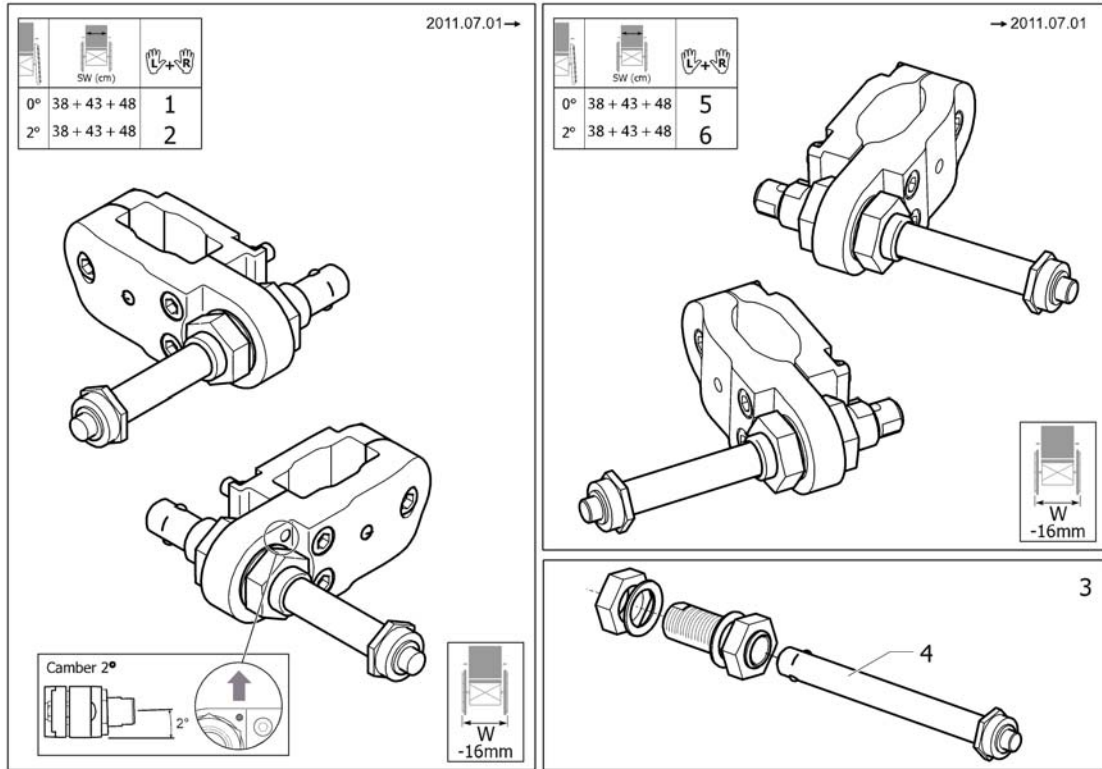
Pos.	Part number	Description	Valid from → until	Qty
1	1488502	CASTOR ATTACHMENT CPL, HIGH		1
2	1488501	CASTOR ATTACHMENT CPL, LOW		1
3	1434721	PLUG, CASTOR ATTACHMENT		1

Rear wheel attachment



Pos.	Part number	Description	Valid from → until	Qty
1	1542422	ATTACHMENT, REAR WHEEL, PAIR, FOCUS		1
2	1542428	ATTACHMENT, REAR WHEEL, PAIR, CAMBER, PAIR, FOCUS		1
3	5750166	QR axle kit (when serial number start by 02)		1
4	5750165	QR Axle 12mm		1
5	1485425	ATTACHMENT, REAR WHEEL, FOCUS, PAIR		1
6	1485426	ATTACHMENT, REAR WHEEL, CAMBER, PAIR		1

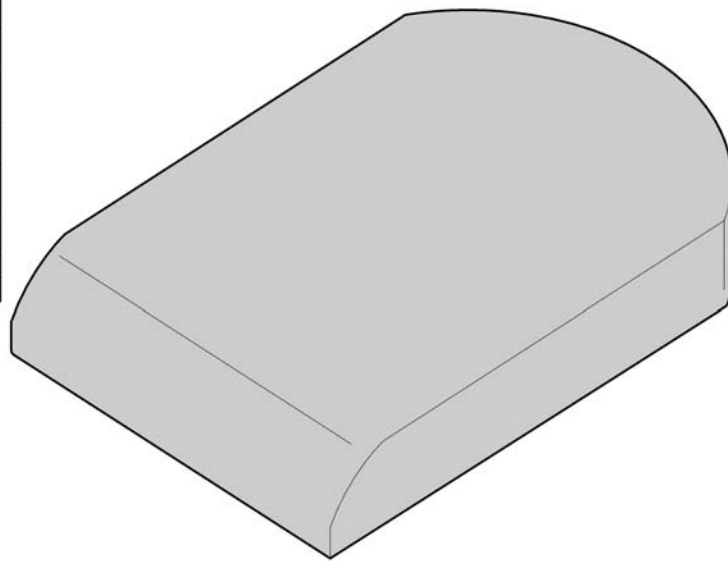
Rear wheel attachment, narrow



Pos.	Part number	Description	Valid from → until	Qty
1	1542424	ATTACHMENT, REAR WHEEL, NARROW, PAIR, FOCUS		1
2	1542427	ATTACHMENT, REAR WHEEL, NARROW, CAMBER, PAIR, FOCUS		1
3	5750166	QR axle kit (when serial number start by 02)		1
4	5750165	QR Axle 12mm		1
5	1484546	ATTACHMENT, REAR WHEEL, NARROW, PAIR, FOCUS		1
6	1484547	ATTACHMENT, REAR WHEEL, NARROW, CAMBER, PAIR, FOCUS		1

	SW	SD			
			TR18	TR32	TR35
Spirea ²	380	400	6	38	25
Spirea ³		450	7	39	26
Focus	405	400	9	40	27
		450	10	41	28
	430	400	12	42	29
		450	13	43	30
	455	400	15	44	31
		450	16	45	32
	480	400	18	46	33
		450	19	47	34
	505	400	21	48	35
		450	22	49	36
	530	450	24	50	37
	555	450	24	50	37

	SW	SD		
		400	450	500
Spin ^x	330	1	2	
XLT	355	3	4	5
Spirea ^{4NG}	380	6	7	8
		405	9	10
	430	12	13	14
	455	15	16	17
	480	18	19	20
	505	21	22	23



	Färg	Colour	Farbe	Couleur
TR18	jemima	jemima	Jemima	Jemima
TR32	plysch grå PRIMA	plush grey PRIMA	Plüsch grau PRIMA	velours gris PRIMA
TR35	plysch svart	plush black	Plüsch schwarz	velours noir

SPS103178

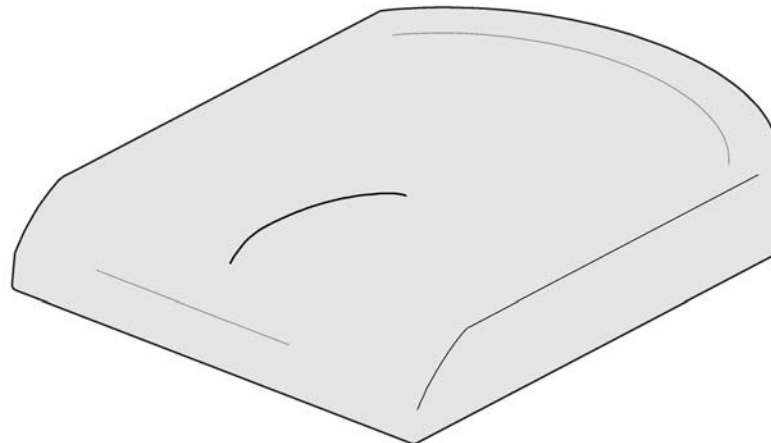
Pos.	Part number	Description	Valid from → until	Qty
1	5226506-TR18	Seat Cushion 340x400, Jemima Black, Standard		1
2	5226507-TR18	Seat Cushion 340x450, Jemima Black, Standard		1
3	5104255-TR18	Seat Cushion 360x400, Jemima Black, Standard		1
4	5104257-TR18	Seat Cushion 360x450, Jemima Black, Standard		1
5	1512809	Seat Cushion 360x500, Jemima Black, Standard		1
6	5104317-TR18	Seat Cushion 380x400, Jemima Black, Standard		1
7	5104319-TR18	Seat Cushion 380x450, Jemima Black, Standard		1
8	1495830	Seat Cushion 380x500, Jemima Black, Standard		1
9	5103179-TR18	Seat Cushion 410x400, Jemima Black, Standard		1
10	5104259-TR18	Seat Cushion 410x450, Jemima Black, Standard		1
11	1495831	Seat Cushion 410x500, Jemima Black, Standard		1
12	5104262-TR18	Seat Cushion 430x400, Jemima Black, Standard		1
13	5104264-TR18	Seat Cushion 430x450, Jemima Black, Standard		1
14	1495832	Seat Cushion 430x500, Jemima Black, Standard		1
15	5103180-TR18	Seat Cushion 460x400, Jemima Black, Standard		1
16	5104266-TR18	Seat Cushion 460x450, Jemima Black, Standard		1
17	1495833	Seat Cushion 460x500, Jemima Black, Standard		1
18	5226509-TR18	Seat Cushion 480x400, Jemima Black, Standard		1
19	5226510-TR18	Seat Cushion 480x450, Jemima Black, Standard		1
20	1495834	Seat Cushion 480x500, Jemima Black, Standard		1
21	5104269-TR18	Seat Cushion 500x400, Jemima Black, Standard		1
22	5104271-TR18	Seat Cushion 500x450, Jemima Black, Standard		1
23	1495835	Seat Cushion 500x500, Jemima Black, Standard		1
24	1435429	Seat Cushion 530x450, Jemima Black, Standard		1
25	5104317-TR35	Seat Cushion 380x400, Plush Black, Standard		1
26	5104319-TR35	Seat Cushion 380x450, Plush Black, Standard		1
27	5103179-TR35	Seat Cushion 410x400, Plush Black, Standard		1
28	5104259-TR35	Seat Cushion 410x450, Plush Black, Standard		1
29	5104262-TR35	Seat Cushion 430x400, Plush Black, Standard		1
30	5104264-TR35	Seat Cushion 430x450, Plush Black, Standard		1
31	5103180-TR35	Seat Cushion 460x400, Plush Black, Standard		1

Seat cushion

Pos.	Part number	Description	Valid from → until	Qty
32	5104266-TR35	Seat Cushion 460x450, Plush Black, Standard		1
33	5226509-TR35	Seat Cushion 480x400, Plush Black, Standard		1
34	5226510-TR35	Seat Cushion 480x450, Plush Black, Standard		1
35	5104269-TR35	Seat Cushion 500x400, Plush Black, Standard		1
36	5104271-TR35	Seat Cushion 500x450, Plush Black, Standard		1
37	1435445-TR35	Seat Cushion 530x450, Plush Black, Standard		1
38	5104317-TR32	Seat Cushion 380x400, Plush Grey Prima, Standard		1
39	5104319-TR32	Seat Cushion 380x450, Plush Grey Prima, Standard		1
40	5103179-TR32	Seat Cushion 410x400, Plush Grey Prima, Standard		1
41	5104259-TR32	Seat Cushion 410x450, Plush Grey Prima, Standard		1
42	5104262-TR32	Seat Cushion 430x400, Plush Grey Prima, Standard		1
43	5104264-TR32	Seat Cushion 430x450, Plush Grey Prima, Standard		1
44	5103180-TR32	Seat Cushion 460x400, Plush Grey Prima, Standard		1
45	5104266-TR32	Seat Cushion 460x450, Plush Grey Prima, Standard		1
46	5226509-TR32	Seat Cushion 480x400, Plush Grey Prima, Standard		1
47	5226510-TR32	Seat Cushion 480x450, Plush Grey Prima, Standard		1
48	5104269-TR32	Seat Cushion 500x400, Plush Grey Prima, Standard		1
49	5104271-TR32	Seat Cushion 500x450, Plush Grey Prima, Standard		1
50	1435445	Seat Cushion 530x450, Plush Grey Prima, Standard		1

Seat cushion, Mistral2

SW (mm)	low		
	TR26	TR23	TR32
Focus			
380	1	8	15
405	2	9	16
430	2	9	16
455	3	10	17
480	3	10	17
505	3	10	17
530			
555			
	high		
	TR26	TR23	TR32
380	4	11	18
405	5	12	19
430	5	12	19
455	6	13	20
480	6	13	20
505	7	14	21
530	7	14	21
555	7	14	21




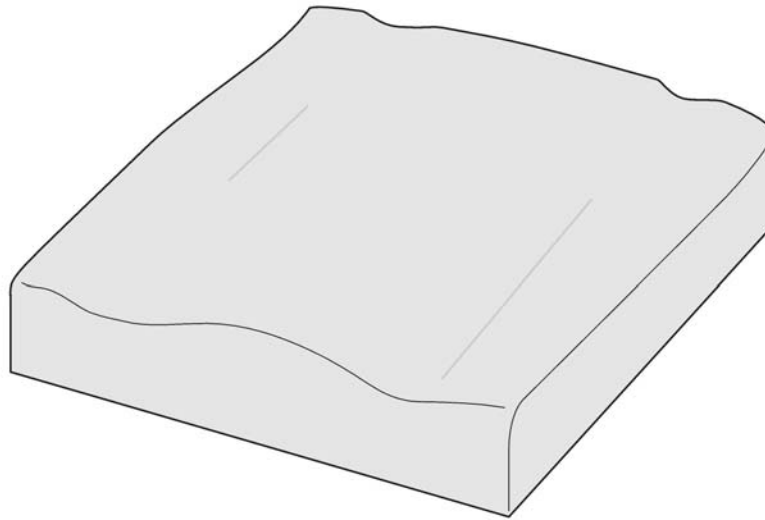
	Färg	Colour	Farbe	Couleur
TR26	dartex svart	dartex black	Dartex schwarz	dartex noir
→2012-04-01				
TR23	dartex grå	dartex grey	Dartex grau	dartex gris
TR32	plysch grå PRIMA	plush grey PRIMA	Plüsch grau PRIMA	velours gris PRIMA

5951435833

Pos.	Part number	Description	Valid from → until	Qty
1	1435853-TR26	SEAT CUSHION 365X440, MISTRAL2, DARTEX BLACK		1
2	1435854-TR26	SEAT CUSHION 415X440, MISTRAL2, DARTEX BLACK		1
3	1435855-TR26	SEAT CUSHION 465X440, MISTRAL2, DARTEX BLACK		1
4	1435856-TR26	Seat cushion Mistral, 365x490 mm pour SW390 mm, Dartex black		1
5	1435857-TR26	Seat cushion Mistral, 415x490 mm, Dartex black		1
6	1435858-TR26	Seat cushion Mistral, 465x490 mm, Dartex black		1
7	1435859-TR26	Seat cushion Mistral 515X490 mm, Dartex Black		1
8	1435853	SEAT CUSHION 365X440, MISTRAL2, DARTEX GREY		1
9	1435854	SEAT CUSHION 415X440, MISTRAL2, DARTEX GREY		1
10	1435855	SEAT CUSHION 465X440, MISTRAL2, DARTEX GREY		1
11	1435856	Mistral shape cushion SW 365 x SD 490 Dartex		1
12	1435857	Mistral shape Cushion SW415 x SD490mm - Dartex		1
13	1435858	Mistral shape cushion SW 465 x SD 490 Dartex		1
14	1435859	SEAT CUSHION 515X490, MISTRAL2, DARTEX GREY		1
15	1435860	SEAT CUSHION 365X440, MISTRAL2, PLUSH GREY PRIMA		1
16	1435861	SEAT CUSHION 415X440, MISTRAL2, PLUSH GREY PRIMA		1
17	1435862	SEAT CUSHION 465X440, MISTRAL2, PLUSH GREY PRIMA		1
18	1435863	SEAT CUSHION 365X490, MISTRAL2, PLUSH GREY PRIMA		1
19	1435864	SEAT CUSHION 415X490, MISTRAL2, PLUSH GREY PRIMA		1
20	1435865	SEAT CUSHION 465X490, MISTRAL2, PLUSH GREY PRIMA		1
21	1435866	SEAT CUSHION 515X490, MISTRAL2, PLUSH GREY PRIMA		1

Seat cushion, Anatomic (Belgium only)



 SW (mm)	
380	1
405	2
430	2
455	3
480	3
505	4

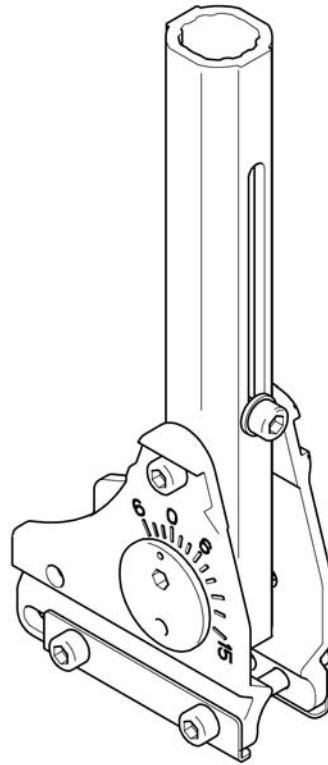
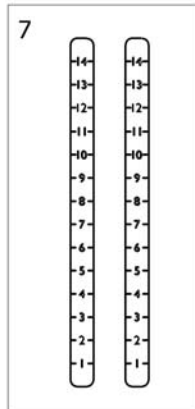


02660575651

Pos.	Part number	Description	Valid from → until	Qty
1	1509920-TR26	SEATCUSHION, FLOSHAPE, 355X450, DARTEX BLACK		1
2	1508055-TR26	Seat cushion Flo-shape, 405x535 mm, Dartex black (TR26)		1
3	1508057-TR26	Seat cushion Flo-shape, 455x535 mm, Dartex black (TR26)		1
4	1508059-TR26			1

Backrest attachment



 SW				
380, 430, 480, 530	1	2	3	
405, 455, 505	4	5	6	

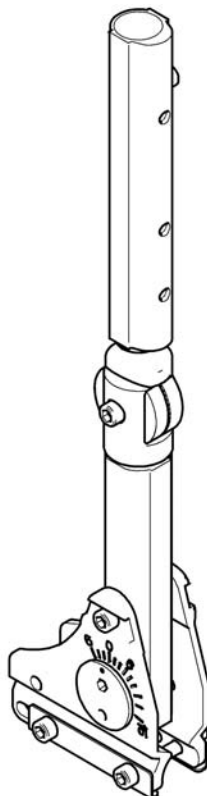
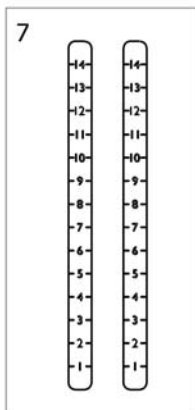


SPS 1434740

Pos.	Part number	Description	Valid from → until	Qty
1	1546572	ATTACHMENT, BACKREST, PAIR <i>Replaces 1439742</i>		1
2	1546573	ATTACHMENT, BACKREST, LEFT <i>Replaces 1434740</i>		1
3	1546603	ATTACHMENT, BACKREST, RIGHT <i>Replaces 1434741</i>		1
4	1546604	ATTACHMENT, BACKREST, WIDE, PAIR <i>Replaces 1488862</i>		1
5	1546605	ATTACHMENT, BACKREST, WIDE, LEFT <i>Replaces 1488859</i>		1
6	1546606	ATTACHMENT, BACKREST, WIDE, RIGHT <i>Replaces 1546606</i>		1
7	SP1584148	Label pair, backrest height		1

Backrest attachment, biangular

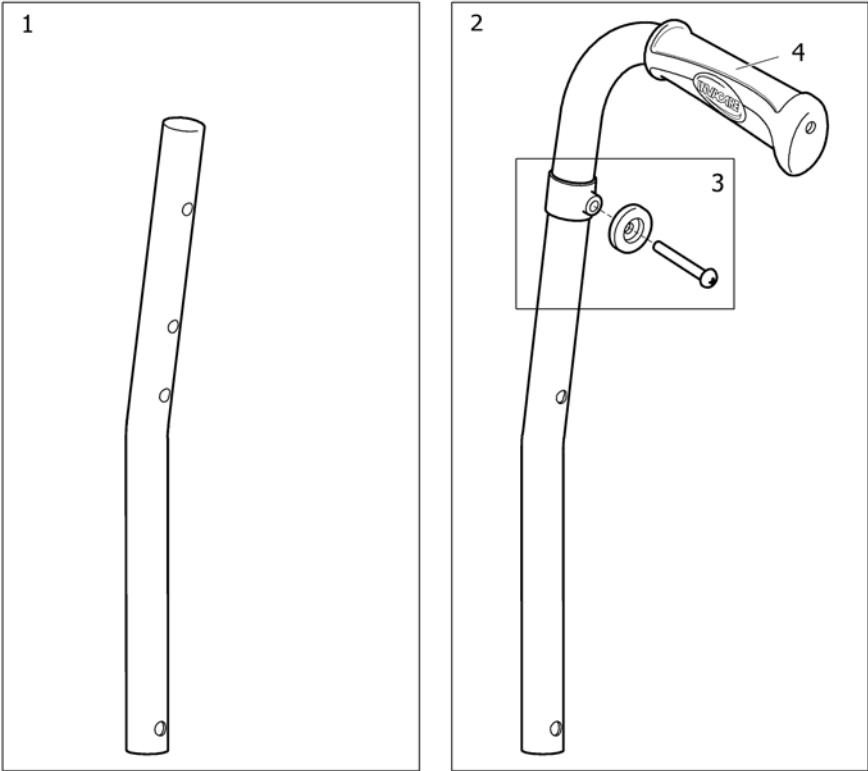
 SW			
380, 430, 480, 530	1	2	3
405, 455, 505	4	5	6



SPS 1434745

Pos.	Part number	Description	Valid from → until	Qty
1	1546607	ATTACHMENT, BIANG. BIANG. BACKREST, PAIR <i>Replaces 1439741</i>		1
2	1546624	ATTACHMENT, BIANG. BACKREST, LEFT <i>Replaces 1434745</i>		1
3	1546608	ATTACHMENT, BIANG. BACKREST, RIGHT <i>Replaces 1434744</i>		1
4	1546630	ATTACHMENT, BIANG. BACKREST, WIDE, PAIR <i>Replaces 1488986</i>		1
5	1546645	ATTACHMENT, BIANG. BACKREST, WIDE, LEFT <i>Replaces 1488865</i>		1
6	1546646	ATTACHMENT, BIANG. BACKREST, WIDE, RIGHT <i>Replaces 1488864</i>		1
7	SP1584148	Label pair, backrest height		1

Backrest tube

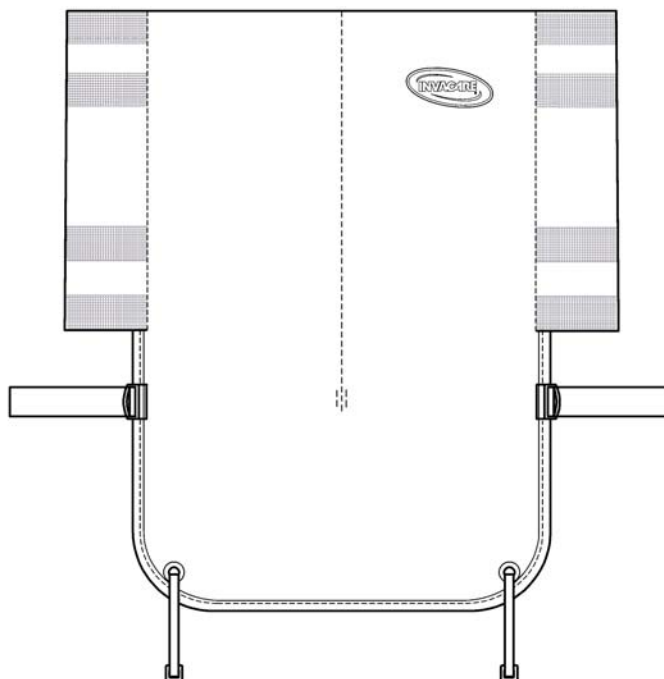


SP1429301

Pos.	Part number	Description	Valid from → until	Qty
1	SP1574655	Backrest tube for additional push handle		1
2	1434751	BACKREST TUBE, WITH HANDLE, CPL		1
3	1543736	FIXATION, BACKREST UPHOLSTERY		1
4	SP1429301	HANDLE 20MM, PAIR		1

Backrest upholstery, fixed

355	1
380	2
405	3
430	4
455	5
480	6
505	7



9514602

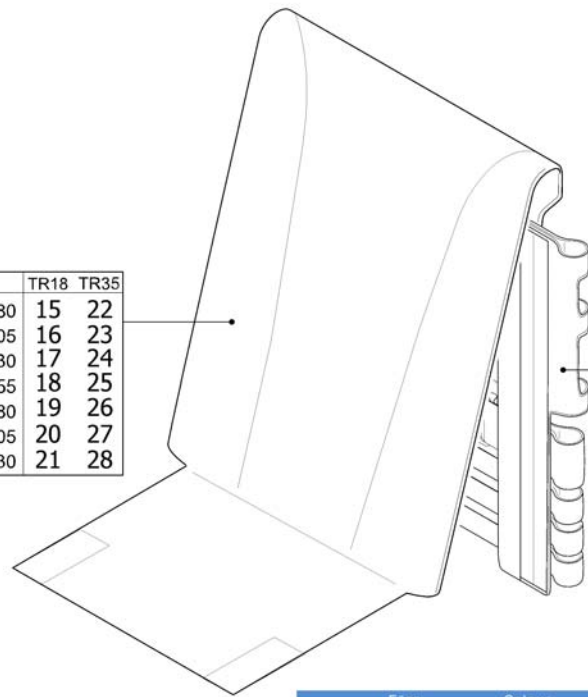
Pos.	Part number	Description	Valid from → until	Qty
1	1495839	Upholstery, Backrest Fixed 35.5 Cpl, Jemima		1
2	1495840	Upholstery, Backrest Fixed 38 Cpl, Jemima		1
3	1495841	Upholstery, Backrest Fixed 40.5 Cpl, Jemima		1
4	1495842	Upholstery, Backrest Fixed 43 Cpl, Jemima		1
5	1495843	Upholstery, Backrest Fixed 45.5 Cpl, Jemima		1
6	1495844	Upholstery, Backrest Fixed 48 Cpl, Jemima		1
7	1495845	Upholstery, Backrest Fixed 50.5 Cpl, Jemima		1

Backrest upholstery, tension adj.

	TR18	TR35
380	1	8
405	2	9
430	3	10
455	4	11
480	5	12
505	6	13
530	7	14

	TR18	TR35
380	15	22
405	16	23
430	17	24
455	18	25
480	19	26
505	20	27
530	21	28

	TR18	TR35
380 - 455	29	
480 - 530	30	

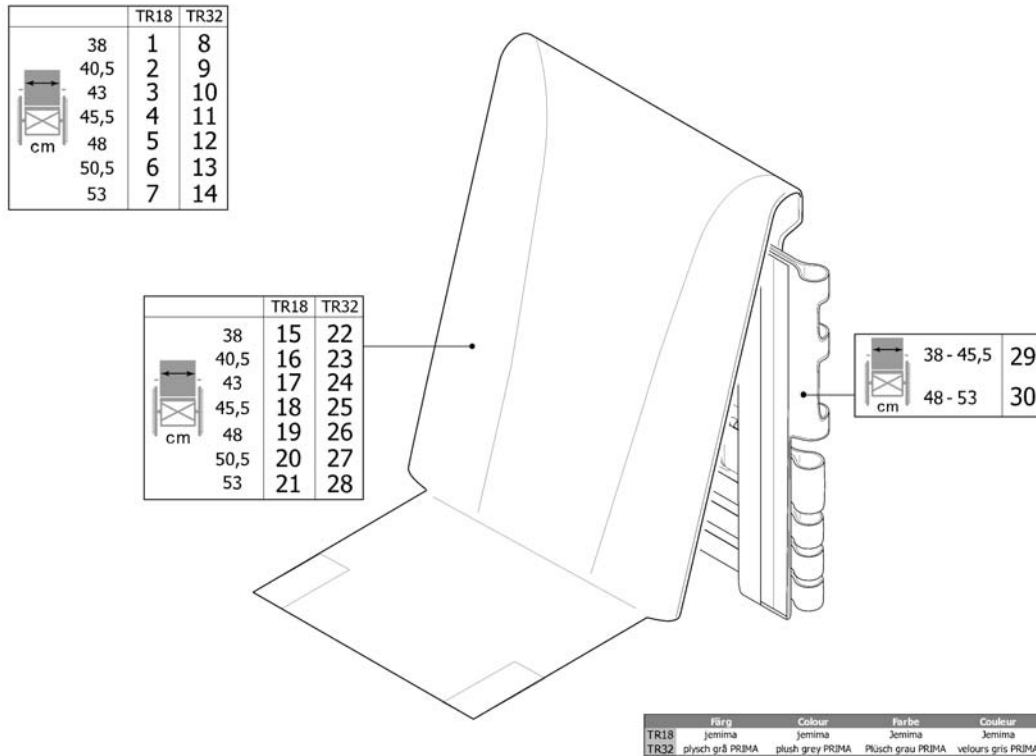


	Färg	Colour	Farbe	Couleur
TR18	jemima	jemima	Jemima	Jemima
TR35	plysch svart	plush black	Plüsch schwarz	velours noir

19P15669A


Pos.	Part number	Description	Valid from → until	Qty
1	1542540-TR18	UPHOLSTERY, BACKREST 380 CPL, HIGH, JEMIMA		1
2	1542541-TR18	UPHOLSTERY, BACKREST 405 CPL, HIGH, JEMIMA		1
3	1542542-TR18	UPHOLSTERY, BACKREST 430 CPL, HIGH, JEMIMA		1
4	1542543-TR18	UPHOLSTERY, BACKREST 455 CPL, HIGH, JEMIMA		1
5	1542544-TR18	UPHOLSTERY, BACKREST 480 CPL, HIGH, JEMIMA		1
6	1542545-TR18	UPHOLSTERY, BACKREST 505 CPL, HIGH, JEMIMA		1
7	1542552-TR18	UPHOLSTERY, BACKREST 530 CPL, HIGH, JEMIMA		1
8	1542540-TR35	UPHOLSTERY, BACKREST 380 CPL, HIGH, PLUSH BLACK		1
9	1542541-TR35	UPHOLSTERY, BACKREST 405 CPL, HIGH, PLUSH BLACK		1
10	1542542-TR35	UPHOLSTERY, BACKREST 430 CPL, HIGH, PLUSH BLACK		1
11	1542543-TR35	UPHOLSTERY, BACKREST 455 CPL, HIGH, PLUSH BLACK		1
12	1542544-TR35	UPHOLSTERY, BACKREST 480 CPL, HIGH, PLUSH BLACK		1
13	1542545-TR35	UPHOLSTERY, BACKREST 505 CPL, HIGH, PLUSH BLACK		1
14	1542552-TR35	UPHOLSTERY, BACKREST 530 CPL, HIGH, PLUSH BLACK		1
15	1540578-TR18	Cover for Backrest adjustable SW380 Jemina		1
16	1540579-TR18	Cover for Backrest adjustable SW405 Jemina		1
17	1540580-TR18	Cover for Backrest adjustable SW430 Jemina		1
18	1540581-TR18	Cover for Backrest adjustable SW455 Jemina		1
19	1540582-TR18	Cover for Backrest adjustable SW480 Jemina		1
20	1540583-TR18	Cover for Backrest adjustable SW505 Jemina		1
21	1540584-TR18	COVER 565x1050, BACKREST, JEMIMA		1
22	1540578-TR35	COVER 415x1050, BACKREST, PLUSH BLACK		1
23	1540579-TR35	COVER 455x1050, BACKREST, PLUSH BLACK		1
24	1540580-TR35	COVER 465x1050, BACKREST, PLUSH BLACK		1
25	1540581-TR35	COVER 495x1050, BACKREST, PLUSH BLACK		1
26	1540582-TR35	COVER 515x1050, BACKREST, PLUSH BLACK		1
27	1540583-TR35	COVER 535x1050, BACKREST, PLUSH BLACK		1
28	1540584-TR35	COVER 565x1050, BACKREST, PLUSH BLACK		1
29	1435415	BACKREST BODY 380-455 CPL.		1
30	1435416	BACKREST BOBY 480-530 CPL.		1

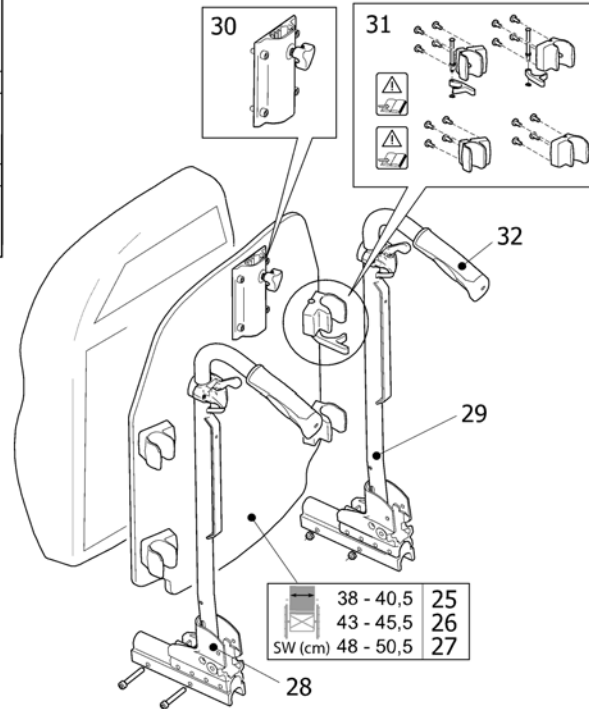
Backrest upholstery, tension adj. (->2012.04)



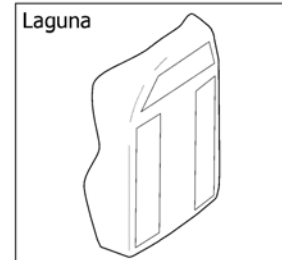
Pos.	Part number	Description	Valid from → until	Qty
1	1542540-TR18	UPHOLSTERY, BACKREST 380 CPL, HIGH, JEMIMA		1
2	1542541-TR18	UPHOLSTERY, BACKREST 405 CPL, HIGH, JEMIMA		1
3	1542542-TR18	UPHOLSTERY, BACKREST 430 CPL, HIGH, JEMIMA		1
4	1542543-TR18	UPHOLSTERY, BACKREST 455 CPL, HIGH, JEMIMA		1
5	1542544-TR18	UPHOLSTERY, BACKREST 480 CPL, HIGH, JEMIMA		1
6	1542545-TR18	UPHOLSTERY, BACKREST 505 CPL, HIGH, JEMIMA		1
7	1542552-TR18	UPHOLSTERY, BACKREST 530 CPL, HIGH, JEMIMA		1
8	1435653	BACKREST ADJ. 38 CPL, TR32		1
9	1478563	BACKREST ADJ. 41 CPL, TR32		1
10	1435654	BACKREST ADJ. 43 CPL, TR32		1
11	1478564	BACKREST ADJ. 46 CPL, TR32		1
12	1435655	BACKREST ADJ. 48 CPL, TR32		1
13	1478565	BACKREST ADJ. 51 CPL, TR32		1
14	1435656	BACKREST ADJ. 53 CPL, TR32		1
15	1540578-TR18	Cover for Backrest adjustable SW380 Jemima		1
16	1540579-TR18	Cover for Backrest adjustable SW405 Jemima		1
17	1540580-TR18	Cover for Backrest adjustable SW430 Jemima		1
18	1540581-TR18	Cover for Backrest adjustable SW455 Jemima		1
19	1540582-TR18	Cover for Backrest adjustable SW480 Jemima		1
20	1540583-TR18	Cover for Backrest adjustable SW505 Jemima		1
21	1540584-TR18	COVER 565x1050, BACKREST, JEMIMA		1
22	5106739-TR32	COVER, BACKREST 38, PLUSH GREY PRIMA		1
23	5106740-TR32	COVER, BACKREST 41, PLUSH GREY PRIMA		1
24	5106741-TR32	COVER, BACKREST 43, PLUSH GREY PRIMA		1
25	5106742-TR32	COVER, BACKREST 46, PLUSH GREY PRIMA		1
26	1435742	COVER, BACKREST 48, TR32		1
27	5106743-TR32	COVER, BACKREST 50, PLUSH GREY PRIMA		1
28	1435743	COVER, BACKREST 53, TR32		1
29	1435415	BACKREST BODY 380-455 CPL.		1
30	1435416	BACKREST BOBY 480-530 CPL.		1


Backrest, LAGUNA2

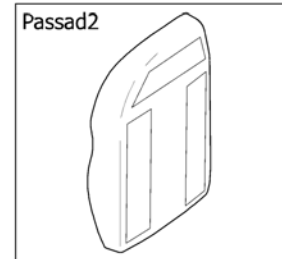
	SW (cm)	TR23	TR32
Laguna			
	38 - 40,5	1	4
	43 - 45,5	2	5
	48 - 50,5	3	6
Passad2			
	38 - 40,5	7	10
	43 - 45,5	8	11
	48 - 50,5	9	12




	Färg	Colour	Farbe	Couleur
TR23	dartex grå	dartex grey	Dartex grau	dartex gris
TR32	plysch grå PRIMA	plush grey PRIMA	Pflusch grau PRIMA	velours gris PRIMA



	SW (cm)	TR23	TR32
	38 - 40,5	13	14
	43 - 45,5	15	16
	48 - 50,5	17	18



	SW (cm)	TR23	TR32
	38 - 40,5	19	20
	43 - 45,5	21	22
	48 - 50,5	23	24

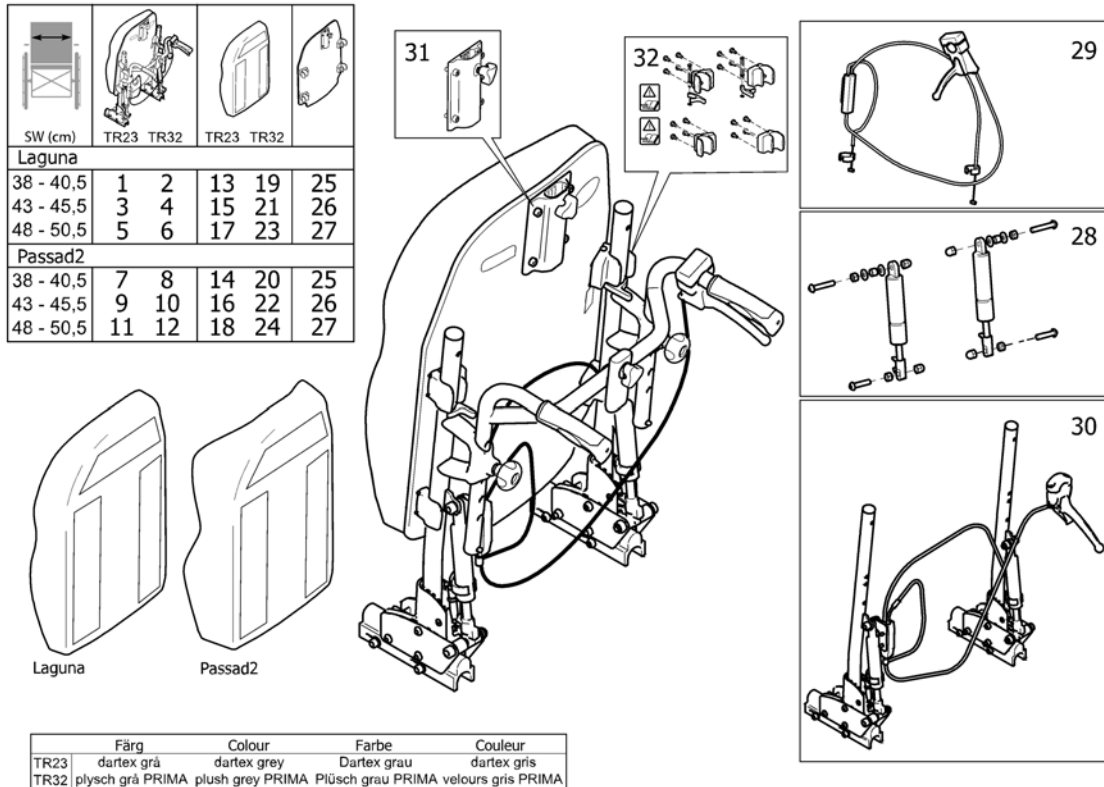
8PSP1508812

Pos.	Part number	Description	Valid from → until	Qty
1	1508812	BACKREST "LAGUNA2" 385X525, DARTEX GREY		1
2	1508813	BACKREST "LAGUNA2" 435X525, DARTEX GREY		1
3	1508814	BACKREST "LAGUNA2" 485X525, DARTEX GREY		1
4	1508815	BACKREST "LAGUNA2" 385X525, PLUSH GREY		1
5	1508816	BACKREST "LAGUNA2" 435X525, PLUSH GREY		1
6	1508817	BACKREST "LAGUNA2" 485X525, PLUSH GREY		1
7	1518694	BACKREST"PASSAD2"470X550 DARTEX GREY		1
8	1518695	BACKREST"PASSAD2"520X550 DARTEX GREY		1
9	1518696	BACKREST"PASSAD2"580X550 DARTEX GREY		1
10	1518697	BACKREST"PASSAD2"470X550 PLUSH GREY		1
11	1518698	BACKREST"PASSAD2"520X550 PLUSH GREY		1
12	1518699	BACKREST"PASSAD2"580X550 PLUSH GREY		1
13	1427119	Backrest cushion comfort Laguna (S), 402x550 mm, Dartex grey (TR23)		1
14	1435798	Backrest Cushion Laguna, 402x550mm, Grey Plush		1
15	1427120	Backrest cushion comfort Laguna (M), 452x550 mm, Dartex grey (TR23)		1
16	1444340	Backrest Cushion Laguna, 452x550mm, Grey Plush		1
17	1427121	Backrest Cushion Laguna, 492x550mm, Dartex Grey		1
18	1444341	Backrest Cushion Laguna, 492x550mm, Grey Plush		1
19	1424647	Backrest cushion comfort Passad2 (S), 470x550 mm, Dartex grey (TR23)		1
20	1444329	Cushion, Backrest Passad2 470X550, Plush Grey		1
21	1424649	Backrest cushion comfort Passad2 (M), 520x550 mm, Dartex grey (TR23)		1
22	1444330	Cushion, Backrest Passad2 520X550, Plush Grey		1
23	1429278	Cushion, Backrest Passad2 580X550, Dartex Grey		1
24	1444331	Cushion, Backrest Passad2 580X550, Plush Grey		1
25	1508818	Backrest Plate 385X525 Cpl, Laguna2		1
26	1508819	Backrest Plate 435X525 Cpl, Laguna2		1
27	1508820	Backrest Plate 485X525 Cpl, Laguna2		1
28	1508823	BACKREST TUBE, LE, CPL		1
29	1508811	BACKREST TUBE, RI, CPL		1
30	1446010	Bracket for Neck-/Headrest Flex2		1
31	1518692	LOCKING KIT, LAGUNA2 BACKREST, FOCUS		1

Backrest, LAGUNA2

Pos.	Part number	Description	Valid from → until	Qty
32	SP1537634	HANDLE 22MM, PAIR		1

Backrest, LAGUNA2, gas spring




SPS137448


Pos.	Part number	Description	Valid from → until	Qty
1	1530010	Backrest Laguna2 385X525, Dartex Grey, Gas Spring		1
2	1530045	Backrest Laguna2 385X525, Plush Grey, Gas Spring		1
3	1530011	Backrest Laguna2 435X525, Dartex Grey, Gas Spring		1
4	1530046	Backrest Laguna2 435X525, Plush Grey, Gas Spring		1
5	1530012	Backrest Laguna2 485X525, Dartex Grey, Gas Spring		1
6	1530241	Backrest Laguna2 485X525, Plush Grey, Gas Spring		1
7	1530242	Backrest Passad2 470X550, Dartex Grey, Gas Spring		1
8	1530266	Backrest Passad2 470X550, Plush Grey, Gas Spring		1
9	1530243	Backrest Passad2 520X550, Dartex Grey, Gas Spring		1
10	1530267	Backrest Passad2 520X550, Plush Grey, Gas Spring		1
11	1530265	Backrest Passad2 580X550, Dartex Grey, Gas Spring		1
12	1530268	Backrest Passad2 580X550, Plush Grey, Gas Spring		1
13	1427119	Backrest cushion comfort Laguna (S), 402x550 mm, Dartex grey (TR23)		1
14	1424647	Backrest cushion comfort Passad2 (S), 470x550 mm, Dartex grey (TR23)		1
15	1427120	Backrest cushion comfort Laguna (M), 452x550 mm, Dartex grey (TR23)		1
16	1424649	Backrest cushion comfort Passad2 (M), 520x550 mm, Dartex grey (TR23)		1
17	1427121	Backrest Cushion Laguna, 492x550mm, Dartex Grey		1
18	1429278	Cushion, Backrest Passad2 580X550, Dartex Grey		1
19	1435798	Backrest Cushion Laguna, 402x550mm, Grey Plush		1
20	1444329	Cushion, Backrest Passad2 470X550, Plush Grey		1
21	1444340	Backrest Cushion Laguna, 452x550mm, Grey Plush		1
22	1444330	Cushion, Backrest Passad2 520X550, Plush Grey		1
23	1444341	Backrest Cushion Laguna, 492x550mm, Grey Plush		1
24	1444331	Cushion, Backrest Passad2 580X550, Plush Grey		1
25	1508818	Backrest Plate 385X525 Cpl. Laguna2		1
26	1508819	Backrest Plate 435X525 Cpl. Laguna2		1
27	1508820	Backrest Plate 485X525 Cpl. Laguna2		1
28	1543637	Gas Strut Kit Standard Backrest (pair)		1
29	1529763	Wire Assy, Laguna2		1
30	1527448	Backrest Frame Cpl. (Incl. Wire+Gassprings)		1
31	1446010	Bracket for Neck-/Headrest Flex2		1

Backrest, LAGUNA2, gas spring

Pos.	Part number	Description	Valid from → until	Qty
32	1518692	LOCKING KIT, LAGUNA2 BACKREST, FOCUS		1

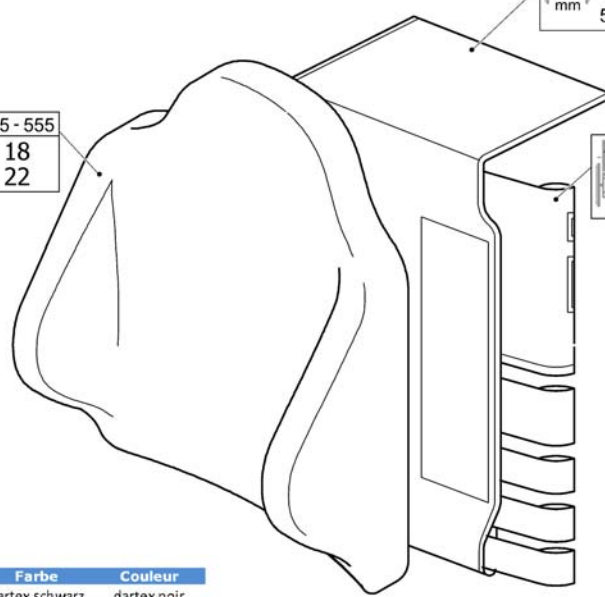
Backrest MISTRAL2, tension adj.

		355-380	405	430	455	480	505	530-555
TR26		1	2	3	4	5	6	7
TR35		8	9	10	11	12	13	14

		355-405	23
		430-455	24
		480-505	25
		530-555	26

	355-380	405-430	455-480	505-555
TR26	15	16	17	18
TR35	19	20	21	22

		355-455	27
		480-555	28

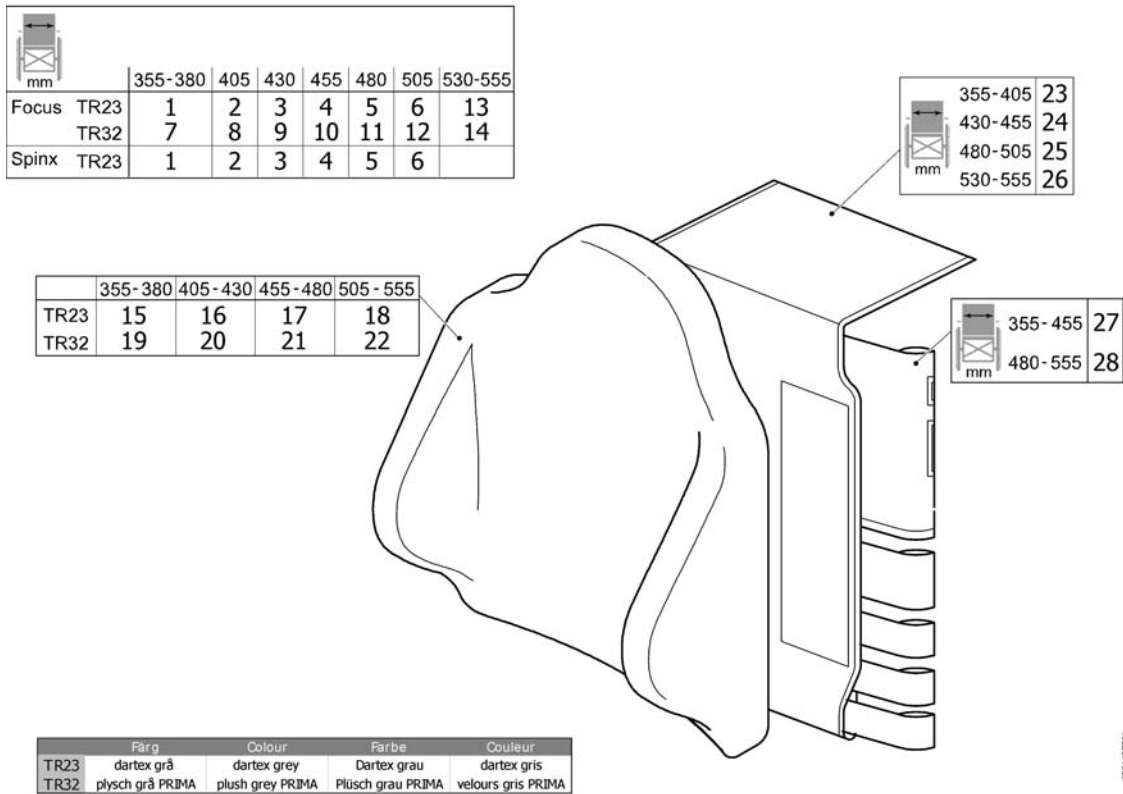


	Färg	Colour	Farbe	Couleur
TR26	dartex svart	dartex black	Dartex schwarz	dartex noir
TR35	plysch svart	plush black	Plüsch schwarz	velours noir

501506095

Pos.	Part number	Description	Valid from → until	Qty
1	1435761-TR26	BACKREST, MISTRAL2 380, DARTEX BLACK		1
2	1478566-TR26	BACKREST, MISTRAL2 405, DARTEX BLACK		1
3	1435762-TR26	BACKREST, MISTRAL2 430, DARTEX BLACK		1
4	1478567-TR26	BACKREST, MISTRAL2 455, DARTEX BLACK		1
5	1435763-TR26	BACKREST, MISTRAL2 480, DARTEX BLACK		1
6	1478568-TR26	BACKREST, MISTRAL2 505, DARTEX BLACK		1
7	1435764-TR26	BACKREST, MISTRAL2 530, DARTEX BLACK		1
8	1435761-TR35	BACKREST, MISTRAL2 380, PLUSCH BLACK		1
9	1478566-TR35	BACKREST, MISTRAL2 405, PLUSCH BLACK		1
10	1435762-TR35	BACKREST, MISTRAL2 430, PLUSH BLACK		1
11	1478567-TR35	BACKREST, MISTRAL2 455, PLUSCH BLACK		1
12	1435763-TR35	BACKREST, MISTRAL2 480, PLUSH BLACK		1
13	1478568-TR35	BACKREST, MISTRAL2 505, PLUSCH BLACK		1
14	1435764-TR35	BACKREST, MISTRAL2 530, PLUSH BLACK		1
15	1431668-TR26	CUSHION, BACKREST MISTRAL2 355X510, DARTEX BLACK		1
16	1424651-TR26	CUSHION, BACKREST MISTRAL2 405X510, DARTEX BLACK		1
17	1424652-TR26	CUSHION, BACKREST MISTRAL2 455X510, DARTEX BLACK		1
18	1424653-TR26	CUSHION, BACKREST MISTRAL2 505X510, DARTEX BLACK		1
19	1431668-TR35	CUSHION, BACKREST MISTRAL2 355X510, PLUSCH BLACK		1
20	1424651-TR35	CUSHION, BACKREST MISTRAL2 405X510, PLUSCH BLACK		1
21	1424652-TR35	CUSHION, BACKREST MISTRAL2 455X510, PLUSCH BLACK		1
22	1424653-TR35	CUSHION, BACKREST MISTRAL2 505X510, PLUSCH BLACK		1
23	1435867	COVER, BACKREST BODY 38, MISTRAL2		1
24	1435868	COVER, BACKREST BODY 43, MISTRAL2		1
25	1435869	COVER, BACKREST BODY 48, MISTRAL2		1
26	1435870	COVER, BACKREST BODY 53, MISTRAL2		1
27	1435415	BACKREST BODY 380-455 CPL.		1
28	1435416	BACKREST BOBY 480-530 CPL.		1

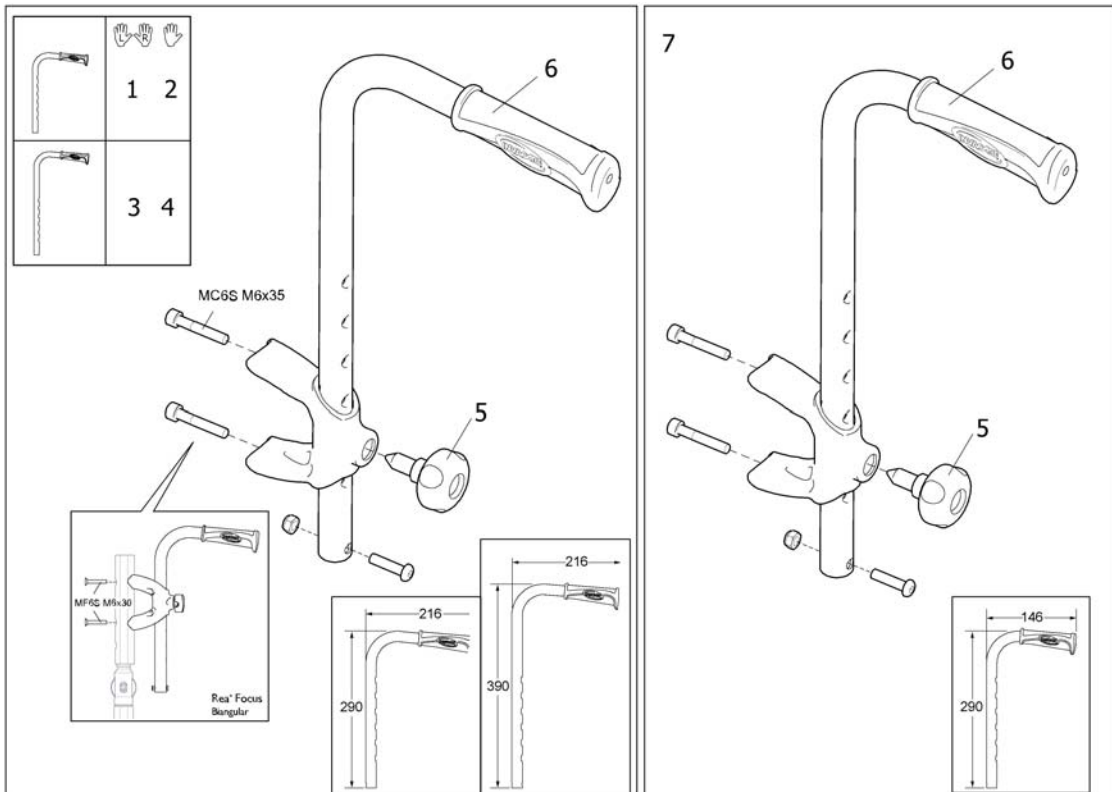
Backrest MISTRAL2, tension adj. (->2012.04)



1435761

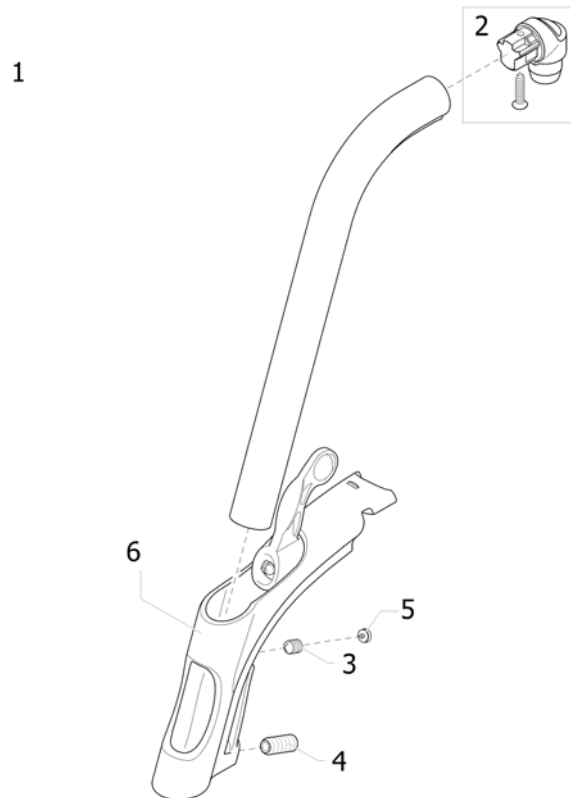
Pos.	Part number	Description	Valid from → until	Qty
1	1435761	BACKREST "MISTRAL2", 38, TR23		1
2	1478566	BACKREST "MISTRAL2", 40,5, TR23		1
3	1435762	BACKREST "MISTRAL2", 43, TR23		1
4	1478567	BACKREST "MISTRAL2", 45,5, TR23		1
5	1435763	BACKREST "MISTRAL2", 48, TR23		1
6	1478568	BACKREST "MISTRAL2", 50,5, TR23		1
7	1435765	BACKREST "MISTRAL2", 38, TR32		1
8	1478569	BACKREST "MISTRAL2", 40,5, TR32		1
9	1435766	BACKREST "MISTRAL2", 43, TR32		1
10	1478570	BACKREST "MISTRAL2", 45,5 TR32		1
11	1435767	BACKREST "MISTRAL2", 48, TR32		1
12	1478571	BACKREST "MISTRAL2", 50,5, TR32		1
13	1435764	BACKREST "MISTRAL2", 53, TR23		1
14	1435768	BACKREST "MISTRAL2", 53, TR32		1
15	1431668	Cushion, Backrest Mistral2 355X510, Dartex Grey		1
16	1424651	Cushion, Backrest Mistral2 405X510, Dartex Grey		1
17	1424652	Cushion, Backrest Mistral2 455X510, Dartex Grey		1
18	1424653	Cushion, Backrest Mistral2 505X510, Dartex Grey		1
19	1431669	Cushion, Backrest Mistral2 355X510, Plush Grey		1
20	1435404	Cushion, Backrest Mistral2 405X510, Plush Grey		1
21	1435405	Cushion, Backrest Mistral2 455X510, Plush Grey		1
22	1435406	Cushion, Backrest Mistral2 505X510, Plush Grey		1
23	1435867	COVER, BACKREST BODY 38, MISTRAL2		1
24	1435868	COVER, BACKREST BODY 43, MISTRAL2		1
25	1435869	COVER, BACKREST BODY 48, MISTRAL2		1
26	1435870	COVER, BACKREST BODY 53, MISTRAL2		1
27	1435415	BACKREST BODY 380-455 CPL.		1
28	1435416	BACKREST BOBY 480-530 CPL.		1

Push handles, external



Pos.	Part number	Description	Valid from → until	Qty
1	1508061	Pushhandles, External, Low, Pair		1
2	1434743	Push Handle, External (for drumbrakes)		1
3	1508062	Pushhandles, External, High, Pair		1
4	1445821	Pushhandle (+10Cm), External		1
5	1434841	Handwheel M10-22,5		1
6	SP1429301	HANDLE 20MM, PAIR		1
7	1445825	Push handle 146x290, External		1

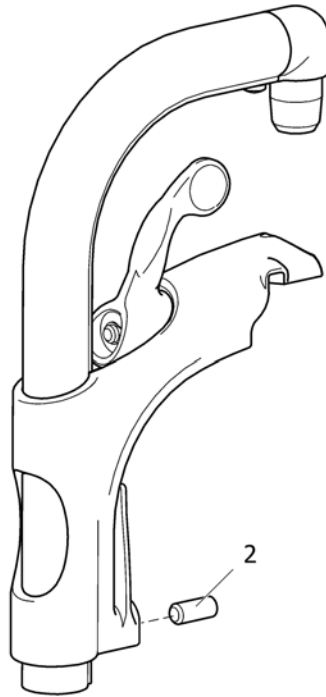
Legrest 80° Alu2003, Fixed



Pos.	Part number	Description	Valid from → until	Qty
1	1493055-0509	Hanger Alu2003,Fixed 80 Deg,Cpl		1
2	1430426	Hanger pivot kit		1
3	1424572	Screw stop M10x12		1
4	1424571	Screw stop M10x23		1
5	1435741	Footrest Hanger Plug		1
6	1434362	Hanger support complete (Alu Pin)		1

Legrest 90° Alu2003, Fixed

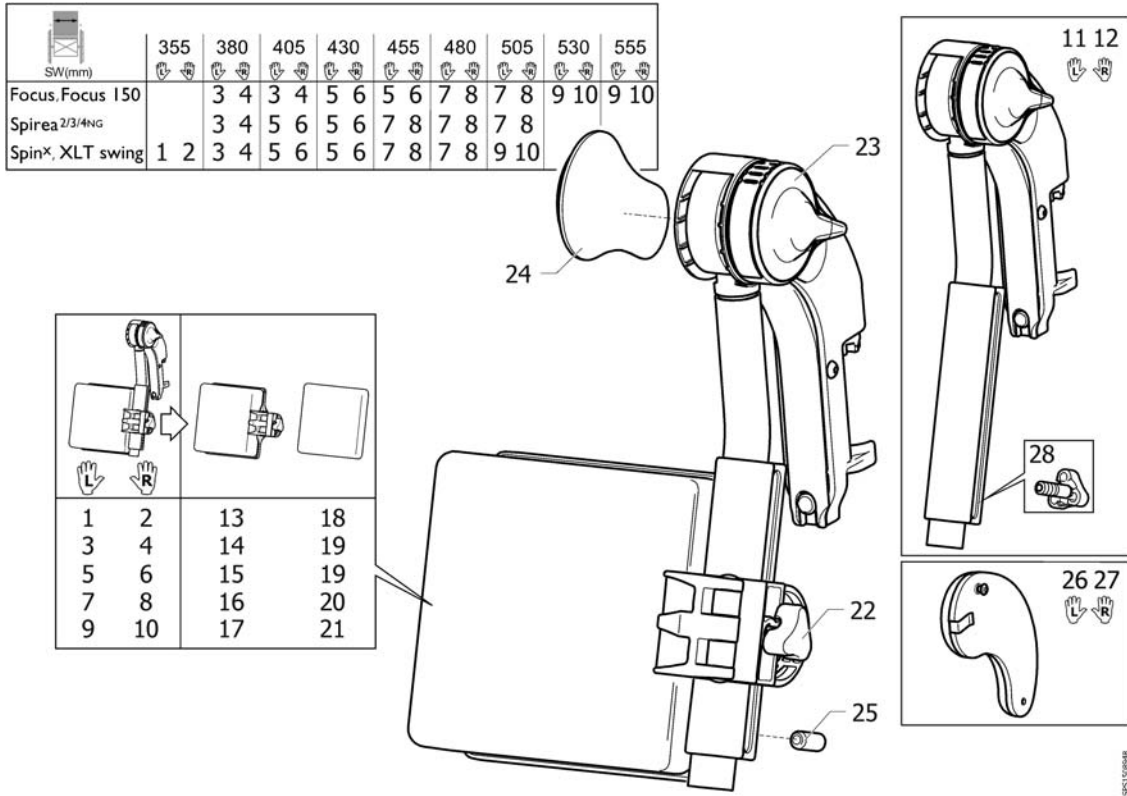
1



SPS1403056




Pos.	Part number	Description	Valid from → until	Qty
1	1493056-0509	Hanger fixed 90°		1
2	1424571	Screw stop M10x23		1

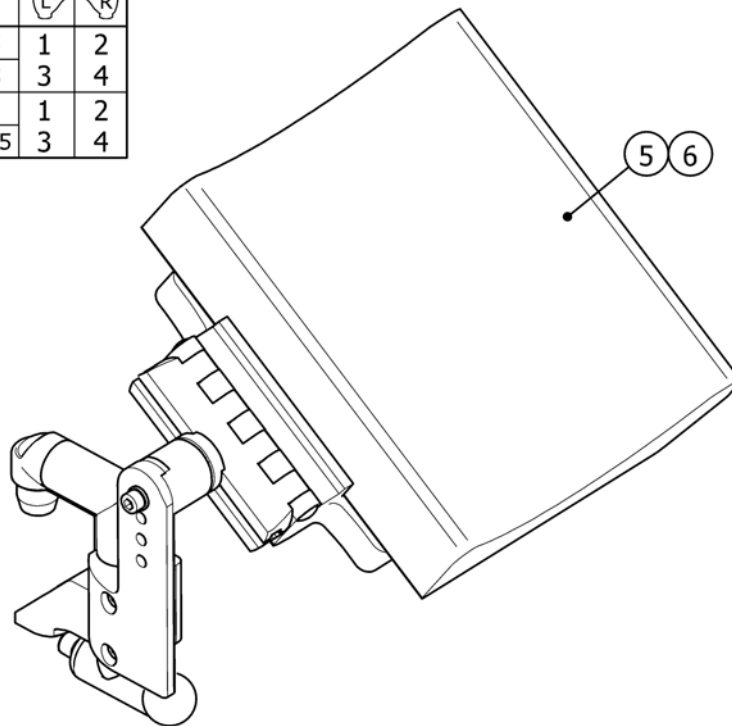
Legrest AA



Pos.	Part number	Description	Valid from → until	Qty
1	1524990	Hanger (+ Calfpad 10), Le, Alu2008 Legrest		1
2	1524991	Hanger (+ Calfpad 10), Ri, Alu2008 Legrest		1
3	1524992	Hanger (+ Calfpad 11.5), Le, Alu2008 Legrest		1
4	1524993	Hanger (+ Calfpad 11.5), Ri, Alu2008 Legrest		1
5	1524994	Hanger (+ Calfpad 12), Le, Alu2008 Legrest		1
6	1524995	Hanger (+ Calfpad 12), Ri, Alu2008 Legrest		1
7	1525027	Hanger (+ Calfpad 15), Le, Alu2008 Legrest		1
8	1525028	Hanger (+ Calfpad 15), Ri, Alu2008 Legrest		1
9	1525029	Hanger (+ Calfpad 18), Le, Alu2008 Legrest		1
10	1525030	Hanger (+ Calfpad 18), Ri, Alu2008 Legrest		1
11	1508945	Lh elevating legrest		1
12	1508948	Rh elevating legrest		1
13	1518616	Calf Support 10		1
14	1518617	Calf Support 11.5		1
15	1518531	Calfpad 16", cpl.		1
16	1518532	Calfpad, 19", Dartex black, cpl.		1
17	1518533	Calf Support 18		1
18	5106406	Pad, Calf Support 10		1
19	5104185	Pad, Calf Support 12		1
20	5104186	Pad, Calf Support 15		1
21	5104187	Pad, Calf Support 18		1
22	1429215	HANDWHEEL M8		1
23	1508943	Incline adjustment lever		1
24	1428336	Kneepad		1
25	1424571	Screw stop M10x23		1
26	1445811	Kneepad (Incl Screw), Le, aa Legrest Alu2003		1
27	1445812	Kneepad (Incl Screw), Ri, aa Legrest Alu2003		1
28	1429326	Handwheel M10, Spring		1

Amputee legrest, Alu2003

	 SW (cm)	 L	 R
<i>Focus, Focus I 50</i>	38-45,5	1	2
	48-55,5	3	4
<i>Spirea², Spirea³</i>	38-43	1	2
<i>Spin^x, XLT swing</i>	45,5-50,5	3	4

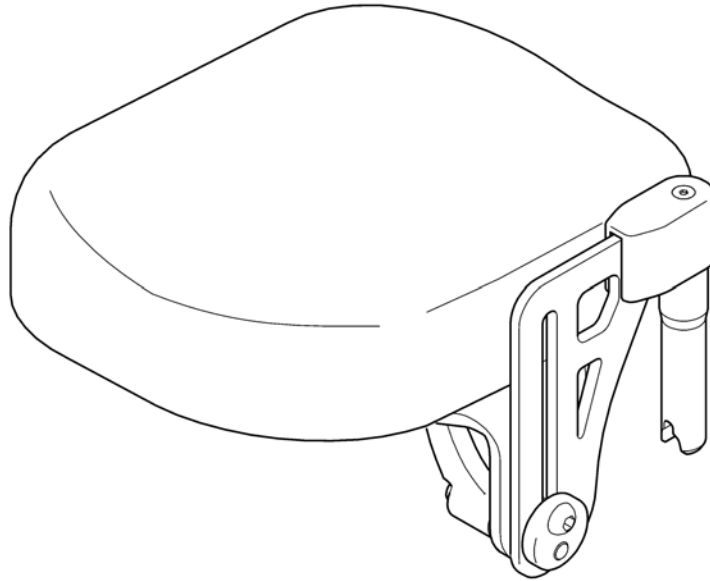


SPS1429191

Pos.	Part number	Description	Valid from → until	Qty
1	1429192-0509	AMP, LEGREST ALU 2003 160X55X220 CPL, LE, TR18		1
2	1429191-0509	AMP, LEGREST ALU 2003 160X55X220 CPL, RI, TR18		1
3	1429211-0509	AMP, LEGREST ALU 2003 190X55X220 CPL, LE, TR18		1
4	1429212-0509	AMP, LEGREST ALU 2003 190X55X220 CPL, RI, TR18		1
5	5104667	CUSHION AMP. 160X55X220 WITH ATTACHMENT, TR 18		1
6	5104668	CUSHION AMP. 190X55X220 WITH ATTACHMENT, TR 18		1

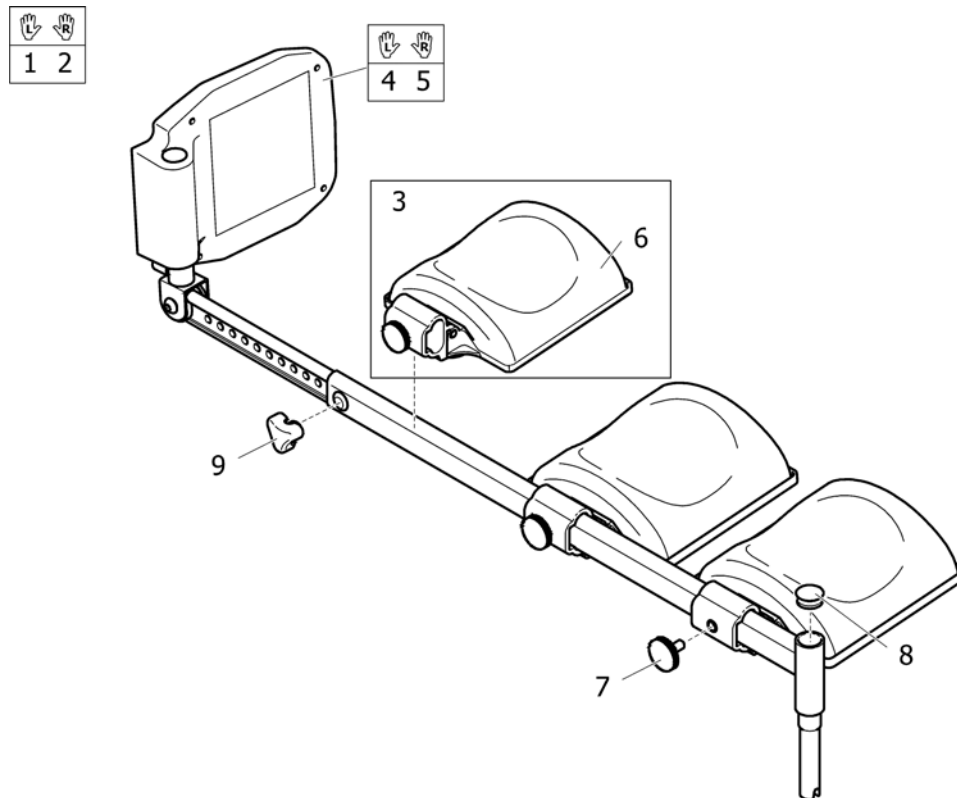
Amputee legrest

1 2
👤 👤



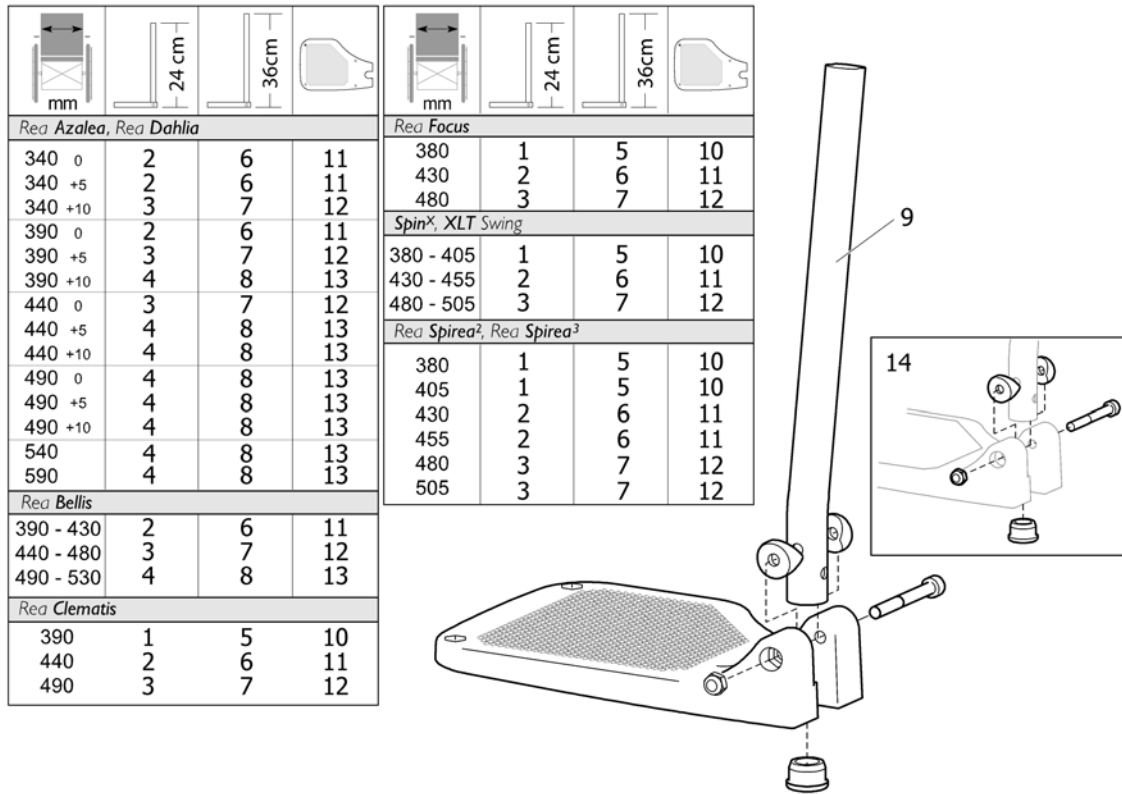
062941526

Pos.	Part number	Description	Valid from → until	Qty
1	1442991	Support Lh, legrest amputee		1
2	1442990	Support Rh, legrest amputee		1



Pos.	Part number	Description	Valid from → until	Qty
1	1435771	Legrest, Plaster, Le, Cpl		1
2	1435770	Legrest, Plaster, Ri, Cpl		1
3	5207070	Calfpad Cpl 22 Incl Mount		1
4	5253167	Footrest 19 Ang. Adj., Long, Lh, Steel Legrest		1
5	5253164	Footrest 19 Ang. Adj., Long, Rh, Steel Legrest		1
6	5104187	Pad, Calf Support 18		1
7	5221403	Tightening button		1
8	5716487	Plastic Cap Sfl 24 Black		1
9	5221122	Handwheel M12		1

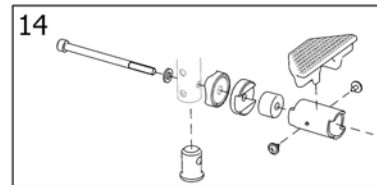
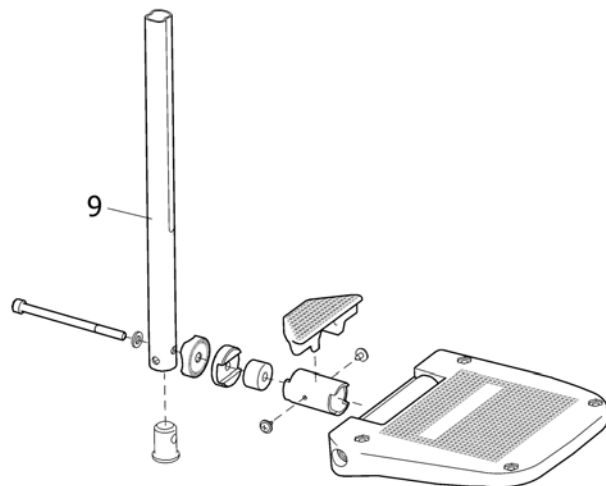
Footrest, fixed, Alu2003



Pos.	Part number	Description	Valid from → until	Qty
1	1428357	FOOTREST 19, "ALU2003", FIXED, SHORT, LEFT		1
1	1428358	FOOTREST 19, "ALU2003", FIXED, SHORT, RIGHT		1
2	1428361	FOOTREST 21ALU2003,LOWER PART,FIXED,SHORT,LEFT		1
2	1428362	FOOTREST 21ALU2003,LOWER PART,FIXED,SHORT,RIGHT		1
3	1428365	FOOTREST 24ALU2003,LOWER PART,FIXED,SHORT,LEFT		1
3	1428366	FOOTREST 24ALU2003,LOWER PART,FIXED,SHORT,RIGHT		1
4	1435756	FOOTREST 27ALU2003,LOWER PART,FIXED,SHORT,LEFT		1
4	1435757	FOOTREST 27ALU2003,LOWER PART,FIXED,SHORT,RIGHT		1
5	1428359	FOOTREST 19, "ALU2003", FIXED, LONG, LEFT		1
5	1428360	FOOTREST 19, "ALU2003", FIXED, LONG, RIGHT		1
6	1428363	LOWER FOOTREST STANDARD WITH HEELSTRAP, width 43-45,5cm, LEFT		1
6	1428364	LOWER FOOTREST STANDARD, WITH HEELSTRAP, width 43-45,5cm, RIGHT		1
7	1428367	Footrest 24 Fixed, Long, Lh, Alu2003		1
7	1428368	Footrest 24 Fixed, Long, Rh, Alu2003		1
8	1435659	FOOTREST 27ALU2003,LOWER PART,FIXED,LONG,LEFT		1
8	1435660	FOOTREST 27ALU2003,LOWER PART,FIXED,LONG,RIGHT		1
9	1434561-0010	Standard tube for fixed footrest		1
9	1434563-0010	Long tube for fixed and a&d adjustable footrest		1
10	1428340	Fixed footplate 175mm (SW380-405) Left		1
10	1428341	Fixed footplate 175mm (SW380-405) Right		1
11	1424574	Fixed footplate 200mm (SW430-455) Left		1
11	1424575	Fixed footplate 200mm (SW430-455) Right		1
12	1428346	Fixed footplate 225mm (SW480-505) Left		1
12	1428347	Fixed footplate 225mm (SW480-505) Right		1
13	1428374	Fixed footplate NG Lh 250 mm (SW550/605 Action NG)(SW490 Esprit Clematis)		1
13	1428375	Fixed footplate NG Rh 250 mm (SW550/605 Action NG)(SW490 Esprit Clematis)		1
14	1430433	Kit screws for fixed footrest		1

Footrest 90°, Alu2003

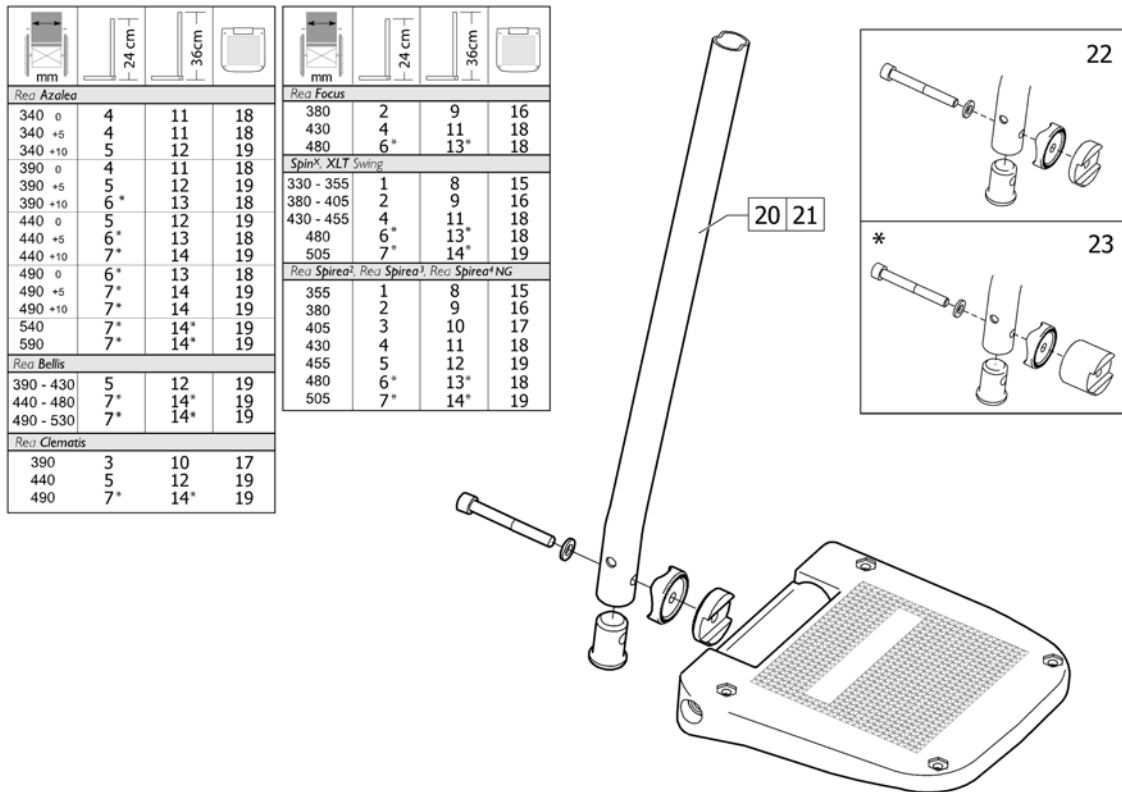
Rea Bellis			
S (39 - 43)	2	6	11
M (44 - 48)	3	7	12
L (49 - 53)	4	8	13
Rea Azalea, Rea Comfort			
34-39	2	6	11
44	3	7	12
49	4	8	13
Rea Clematis			
39	1	5	10
44	2	6	11
49	3	7	12
Rea Focus			
38	1	5	10
43	2	6	11
48	3	7	12
SpinX, XLT Swing, Rea Spirea²			
38 - 40,5	1	5	10
43 - 45,5	2	6	11
48 - 50,5	3	7	12



SPS1446130

Pos.	Part number	Description	Valid from → until	Qty
1	1446130	FOOTREST 11 AA, 90° "ALU2003", SHORT, LEFT		1
1	1446131	FOOTREST 11 AA, 90° "ALU2003", SHORT, RIGHT		1
2	1446132	FOOTREST LOWER PART 13, AA, FOOTR. 90, SHORT, LH		1
2	1446133	FOOTREST LOWER PART 13, AA, FOOTR. 90, SHORT, RH		1
3	1446134	FOOTREST LOWER PART 16, AA, FOOTR. 90, SHORT, LH		1
3	1446135	FOOTREST LOWER PART 16, AA, FOOTR. 90, SHORT, RH		1
4	1446159	FOOTREST LOWER PART 18, AA, FOOTR. 90, SHORT, LH		1
4	1446160	FOOTREST LOWER PART 18, AA, FOOTR. 90, SHORT, RH		1
5	1446136	FOOTREST 11 AA, 90° "ALU2003", LONG, LEFT		1
5	1446137	FOOTREST 11 AA, 90° "ALU2003", LONG, RIGHT		1
6	1446138	FOOTREST LOWER PART 13, AA, FOOTR. 90, LONG, LH		1
6	1446139	FOOTREST LOWER PART 13, AA, FOOTR. 90, LONG, RH		1
7	1446140	FOOTREST LOWER PART 16, AA, FOOTR. 90, LONG, LH		1
7	1446141	FOOTREST LOWER PART 16, AA, FOOTR. 90, LONG, RH		1
8	1446161	FOOTREST LOWER PART 18, AA, FOOTR. 90, LONG, LH		1
8	1446162	FOOTREST LOWER PART 18, AA, FOOTR. 90, LONG, RH		1
9	1440035	TUBE, LEGREST, LONG (346)		1
9	1446094	TUBE, LEGREST, SHORT (221)		1
10	5106371	Footplate, angle and depht adjustable, 106 mm		1
11	5106373	Footplate, angle and depth adjustable, 131 mm		1
12	5106375	Footplate, angle and depth adjustable, 156 mm		1
13	5106376	Footplate, angle and depth adjustable, 176 mm		1
14	1497913	SCREW KIT FOOTREST 90 ALU 2004		1

Footrest, AA, Alu2003



mm	24 cm	36 cm	
Rea Azalea			
340 0	4	11	18
340 +5	4	11	18
340 +10	5	12	19
390 0	4	11	18
390 +5	5	12	19
390 +10	6*	13	18
440 0	5	12	19
440 +5	6*	13	18
440 +10	7*	14	19
490 0	6*	13	18
490 +5	7*	14	19
490 +10	7*	14	19
540	7*	14*	19
590	7*	14*	19
Rea Bellis			
390 - 430	5	12	19
440 - 480	7*	14*	19
490 - 530	7*	14*	19
Rea Clematis			
390	3	10	17
440	5	12	19
490	7*	14*	19

mm	24 cm	36 cm	
Rea Focus			
380	2	9	16
430	4	11	18
480	6*	13*	18
SpinX, XLT Swing			
330 - 355	1	8	15
380 - 405	2	9	16
430 - 455	4	11	18
480	6*	13*	18
505	7*	14*	19
Rea Spirea², Rea Spirea¹, Rea Spirea⁴NG			
355	1	8	15
380	2	9	16
405	3	10	17
430	4	11	18
455	5	12	19
480	6*	13*	18
505	7*	14*	19

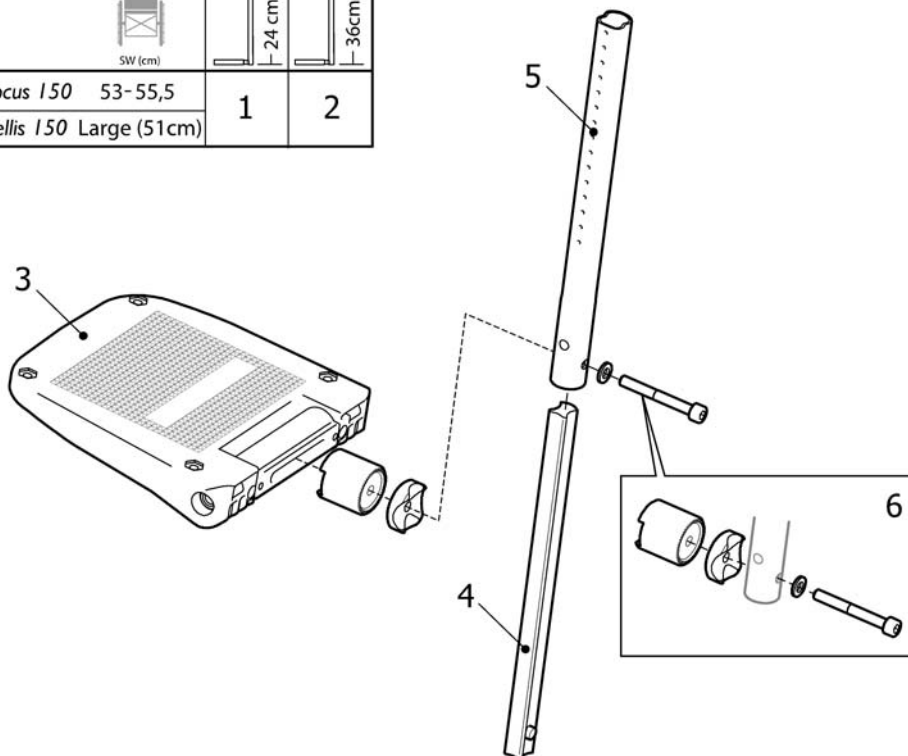
Pos.	Part number	Description	Valid from → until	Qty
1	1485430	Footrest 12 Short, Le, "Alu2003"		1
1	1485524	Footrest 12 Short, Ri, "Alu2003"		1
2	1429159	Footrest 14 aa, "Alu2003", Short, Left		1
2	1429160	Footrest 14 aa, "Alu2003", Short, Right		1
3	1429161	Footrest 16 aa, "Alu2003", Short, Left		1
3	1429162	Footrest 16 aa, "Alu2003", Short, Right		1
4	1429163	Footrest 17 aa, "Alu2003", Short, Left		1
4	1429164	Footrest 17 aa, "Alu2003", Short, Right		1
5	1429165	Footrest 18, "Alu2003", Lower Part, aa, Short, Left		1
5	1429166	Footrest 18, "Alu2003", Lower Part, aa, Short, Right		1
6	1429167	Footrest 19 aa, "Alu2003", Short, Left		1
6	1429168	Footrest 19 aa, "Alu2003", Short, Right		1
7	1429169	Footrest 20 Alu2003, Lower Part, aa, Short, Left		1
7	1429170	Footrest 20 Alu2003, Lower Part, aa, Short, Right		1
8	1485428	Footrest 12 Long, Le, "Alu2003"		1
8	1485429	Footrest 12 Long, Ri, "Alu2003"		1
9	1429171	Footrest 14 aa, "Alu2003", Long, Left		1
9	1429172	Footrest 14 aa, "Alu2003", Long, Right		1
10	1429173	Footrest 16 aa, "Alu2003", Long, Left		1
10	1429174	Footrest 16 aa, "Alu2003", Long, Right		1
11	1429175	Footrest 17 aa, "Alu2003", Long, Left		1
11	1429176	Footrest 17 aa, "Alu2003", Long, Right		1
12	1429177	Footrest 18, "Alu2003", Lower Part, aa, Long, Left		1
12	1429178	Footrest 18, "Alu2003", Lower Part, aa, Long, Ri		1
13	1429179	Footrest 19 aa, "Alu2003", Long, Left		1
13	1429180	Footrest 19 aa, "Alu2003", Long, Right		1
14	1429181	Footrest 20 Alu2003, Lower Part, aa, Long, Left		1
14	1429182	Footrest 20 Alu2003, Lower Part, aa, Long, Right		1
15	5106372	Footplate 12 aa, Cpl.		1
16	5106374	Footplate, angle and depth adjustable, 141 mm		1
17	5106375	Footplate, angle and depth adjustable, 156 mm		1

Footrest, AA, Alu2003

Pos.	Part number	Description	Valid from → until	Qty
18	5106594	Footplate, angle and depth adjustable, 166 mm		1
19	5106376	Footplate, angle and depth adjustable, 176 mm		1
20	1434561-0010	Standard tube for fixed footrest		1
21	1434563-0010	Long tube for fixed and a&d adjustable footrest		1
22	1430839	Kit fixation, adjustable footplate, short spacer		1
23	1430840	Kit fixation, adjustable footplate, long spacer		1

Footrest, Alu2003, Bellis 150

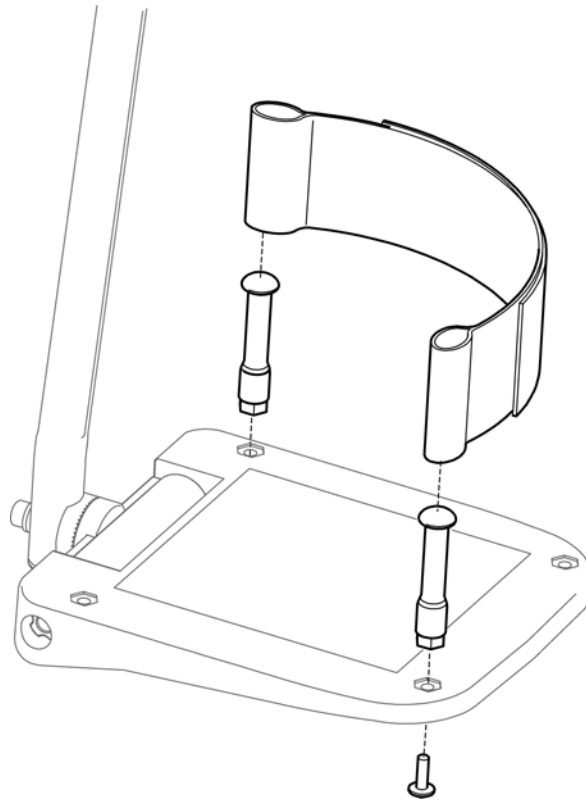
	SW (cm)	24 cm	36 cm
Rea Focus 150	53-55,5	1	2
Rea Bellis 150 Large (51cm)			



SPS1440036

Pos.	Part number	Description	Valid from → until	Qty
1	1440036	FOOTREST 20 ALU2003 150 LOWER PART, SHORT, LEFT		1
1	1440037	FOOTREST 20 ALU2003 150 LOWER PART, SHORT, RIGHT		1
2	1440038	FOOTREST 20 ALU2003 150 LOWER PART, LONG, LEFT		1
2	1440039	FOOTREST 20 ALU2003 150 LOWER PART, LONG, RIGHT		1
3	5106376	Footplate, angle and depth adjustable, 176 mm		1
4	1440008	BAR, FOOTREST TUBE		1
5	1440034	Short straight footrest tube 150 mm		1
5	1440035	TUBE, LEGREST, LONG (346)		1
6	1430840	Kit fixation, adjustable footplate, long spacer		1

Heel strap

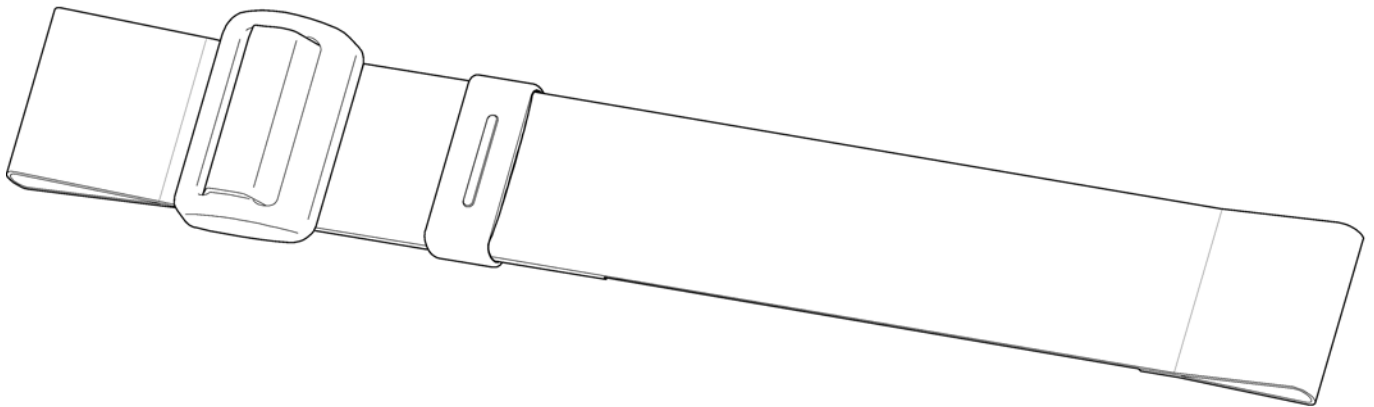


SPS5106433

Pos.	Part number	Description	Valid from → until	Qty
	5321579	Heel strap 400/500 (pair)		1

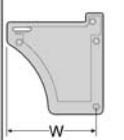


Calf strap, Alu2003 legrest

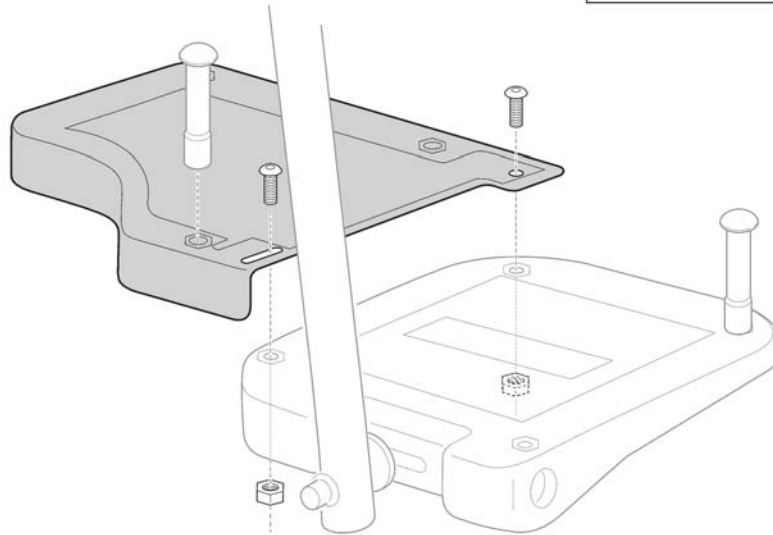
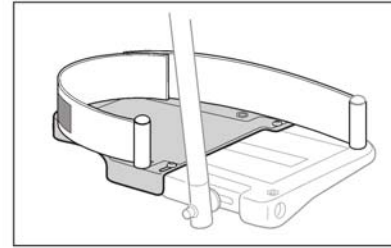
SPS1429214



Pos.	Part number	Description	Valid from → until	Qty
	1429214	Calf strap adjustable, medium		1

Extender, footplate

		
135mm 160mm	99-119mm 124-144mm	1 2

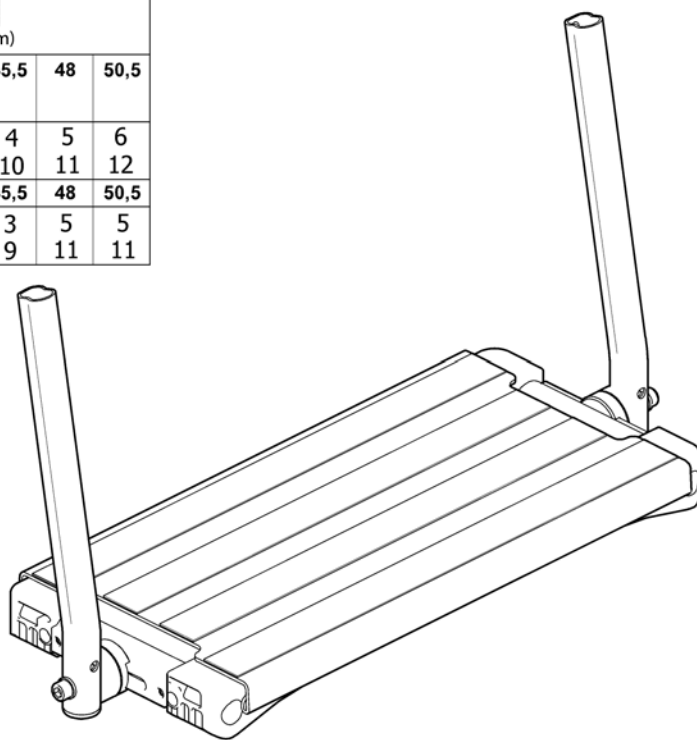


SP5255296

Pos.	Part number	Description	Valid from → until	Qty
1	SP5255297	Footplate extender w=135 pair		1
2	SP5255299	Footplate extender w=160 pair		1

Footrest one piece 80°

SH (cm)	SW (cm)					
XLT swing	38	40,5	43	45,5	48	50,5
SpinX						
Spirea^{2/3/4}						
38 - 48	1	2	3	4	5	6
50.5 - 53	7	8	9	10	11	12
Focus	38	40,5	43	45,5	48	50,5
36.5 - 46.5	1	1	3	3	5	5
49 - 54	7	7	9	9	11	11

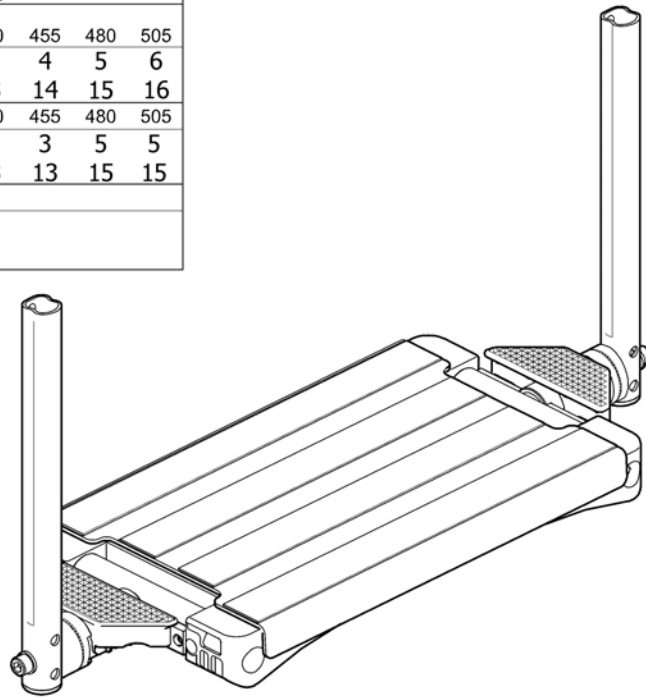


SPS 1496945

Pos.	Part number	Description	Valid from → until	Qty
1	1496945	One piece footboard, short tube, SW380 mm, depth and angle adjustable, hanger 80°		1
2	1496946	One piece footboard, short tube, SW405 mm, depth and angle adjustable, hanger 80°		1
3	1496947	One piece footboard, short tube, SW430 mm, depth and angle adjustable, hanger 80°		1
4	1496948	One piece footboard, short tube, SW455 mm, depth and angle adjustable, hanger 80°		1
5	1496949	One piece footboard, short tube, SW480 mm, depth and angle adjustable, hanger 80°		1
6	1496953	One piece footboard, short tube, SW505 mm, depth and angle adjustable, hanger 80°		1
7	1496954	One piece footboard, long, SW380, depth and angle adjustable, hanger 80°		1
8	1496955	One piece footboard, long, SW405, depth and angle adjustable, hanger 80°		1
9	1496982	One piece footboard, long, SW430, depth and angle adjustable, hanger 80°		1
10	1497004	One piece footboard, long, SW455, depth and angle adjustable, hanger 80°		1
11	1497005	One piece footboard, long, SW480, depth and angle adjustable, hanger 80°		1
12	1497006	One piece footboard, long, SW505, depth and angle adjustable, hanger 80°		1

Footrest one piece 90°

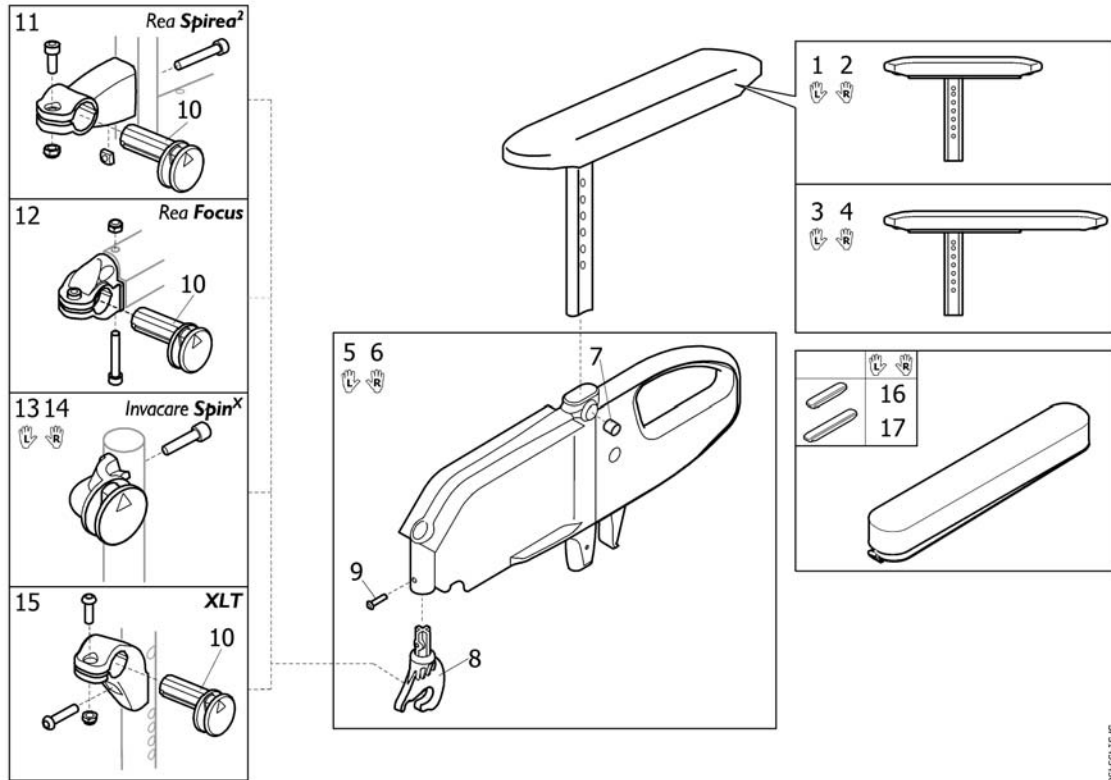
	SH (mm)						SW (mm)					
XLT Swing, Spin ^X , Spirea ^{NG}	380	405	430	455	480	505	380	405	430	455	480	505
410 - 480	1	2	3	4	5	6						
505 - 530	11	12	13	14	15	16						
Focus	380	405	430	455	480	505						
365 - 465	1	1	3	3	5	5						
490 - 540	11	11	13	13	15	15						
Focus 150	530	580										
440 - 490	7	7										
490 - 540	17	17										



SFS1491248

Pos.	Part number	Description	Valid from → until	Qty
1	1491247	FOOTREST ONE PIECE 197, ANGLE ADJ., SHORT		1
2	1491248	FOOTREST ONE PIECE 222, ANGLE ADJ., SHORT		1
3	1493267	FOOTREST ONE PIECE 247, ANGLE ADJ., SHORT		1
4	1493268	FOOTREST ONE PIECE 272, ANGLE ADJ., SHORT		1
5	1493269	FOOTREST ONE PIECE 297, ANGLE ADJ., SHORT		1
6	1493270	FOOTREST ONE PIECE 322, ANGLE ADJ., SHORT		1
7	1495821	FOOTREST ONE PIECE 347, ANGLE ADJ., SHORT		1
8	1495822	FOOTREST ONE PIECE 372, ANGLE ADJ., SHORT		1
9	1495823	FOOTREST ONE PIECE 397, ANGLE ADJ., SHORT		1
10	1495824	FOOTREST ONE PIECE 422, ANGLE ADJ., SHORT		1
11	1493349	FOOTREST ONE PIECE 197, ANGLE ADJ., LONG		1
12	1493350	FOOTREST ONE PIECE 222, ANGLE ADJ., LONG		1
13	1493351	FOOTREST ONE PIECE 247, ANGLE ADJ., LONG		1
14	1493358	FOOTREST ONE PIECE 272, ANGLE ADJ., LONG		1
15	1493359	FOOTREST ONE PIECE 297, ANGLE ADJ., LONG		1
16	1493377	FOOTREST ONE PIECE 322, ANGLE ADJ., LONG		1
17	1495825	FOOTREST ONE PIECE 347, ANGLE ADJ., LONG		1
18	1495826	FOOTREST ONE PIECE 372, ANGLE ADJ., LONG		1
19	1495827	FOOTREST ONE PIECE 397, ANGLE ADJ., LONG		1
20	1495828	FOOTREST ONE PIECE 422, ANGLE ADJ., LONG		1

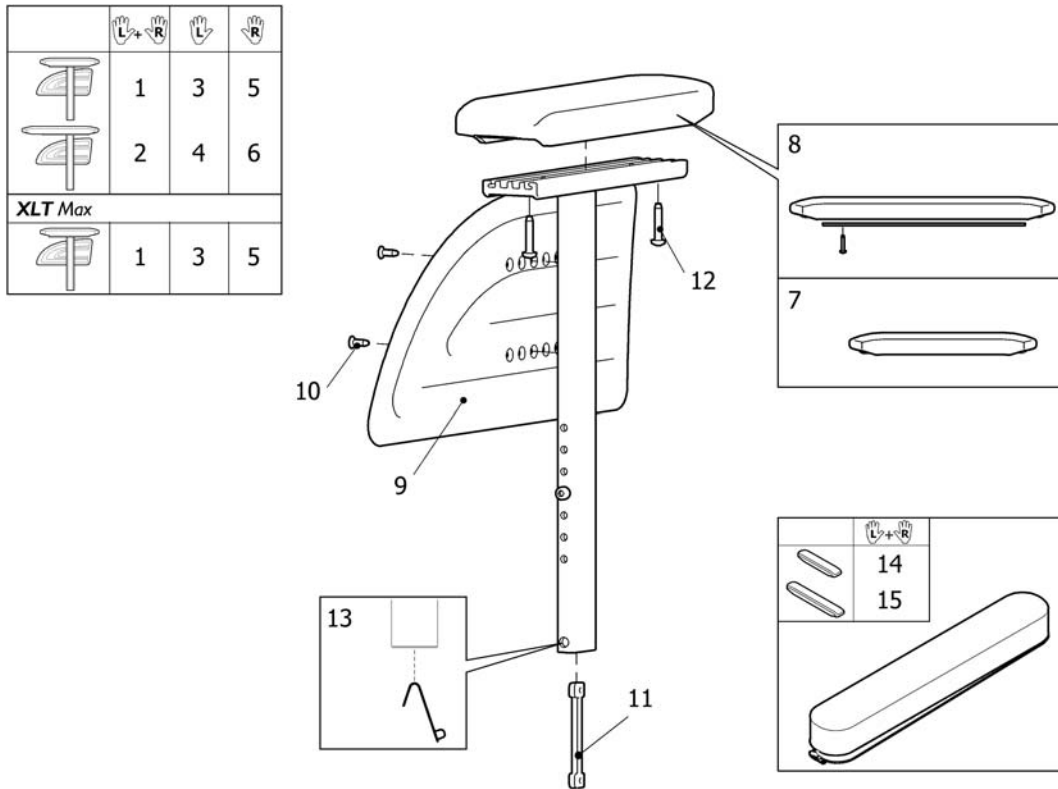
Armrest, Flip-up



SP1435498

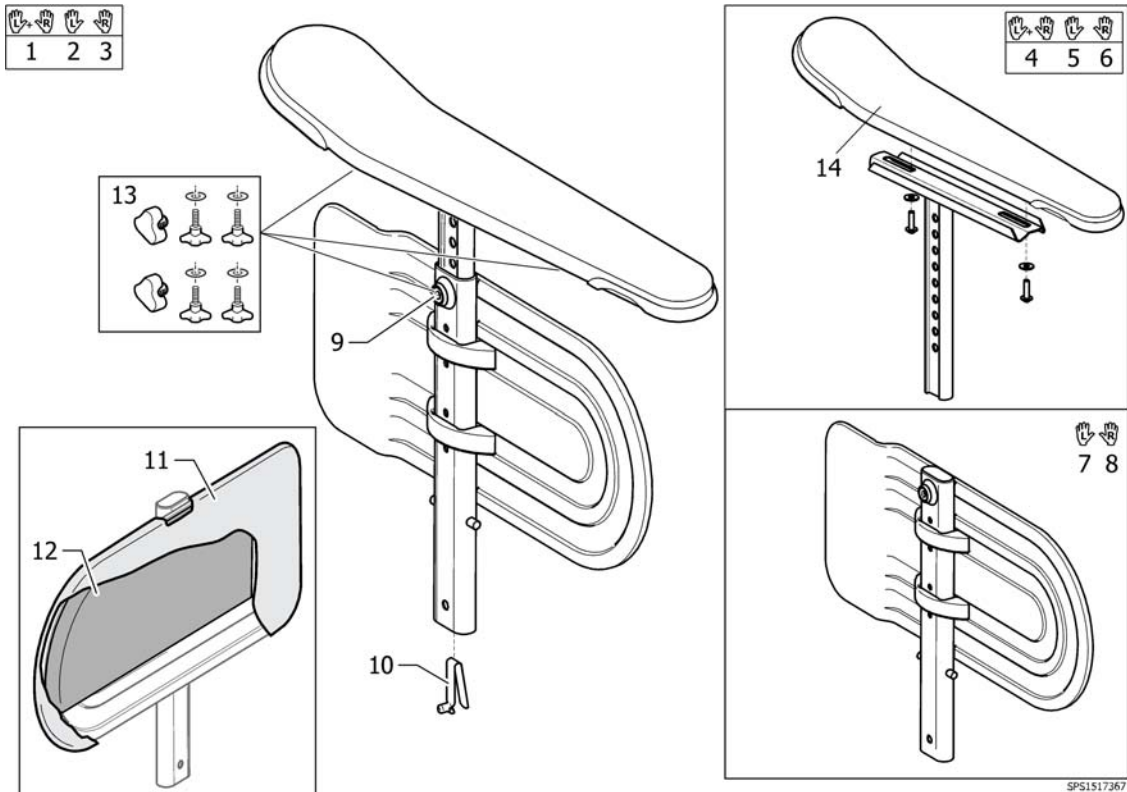
Pos.	Part number	Description	Valid from → until	Qty
1	1435616	ARMREST FLIP-UP, UPPER PART,LE, SHORT PAD		1
2	1435615	ARMREST FLIP-UP, UPPER PART,RI, SHORT PAD		1
3	1435618	ARMREST FLIP-UP, UPPER PART, LE, LONG PAD		1
4	1435617	ARMREST FLIP-UP, UPPER PART, RI, LONG PAD		1
5	1435614	ARMREST, LOWER PART, FLIP-UP, HA, LEFT		1
6	1435613	ARMREST, LOWER PART, FLIP-UP, HA, RIGHT		1
7	5106533	Locking screw M12X10		1
8	1431731	HOOK BRACKET, ARMREST FLIP-UP, HA		1
9	1424569	Screw KT-PT K50X20 Black, WN1412 A2T, combi torx		1
10	1431724	LINK, SIDE SUPPORT, ARMREST FLIP-UP, HA		1
11	1435492	ARMREST ATTACHM. FLIP-UP		1
12	1435493	ATTACHMENT, ARMREST FLIP-UP, REAR, CPL, FOC		1
13	1485272	ATTACHM. ARMREST FLIP-UP REAR, LE, CPL SPIN-X		1
14	1485246	ATTACHM. ARMREST FLIP-UP REAR, RI, CPL SPIN-X		1
15	1512698	ATTACHMENT, ARMREST FLIP-UP, REAR, PAIR		1
16	SP1574539	ARMPAD COVER, SHORT, BLACK PLUSH TR35		1
17	SP1574609	ARMPAD COVER, LONG, BLACK PLUSH TR35		1

Armrest Rio, Height Adj.



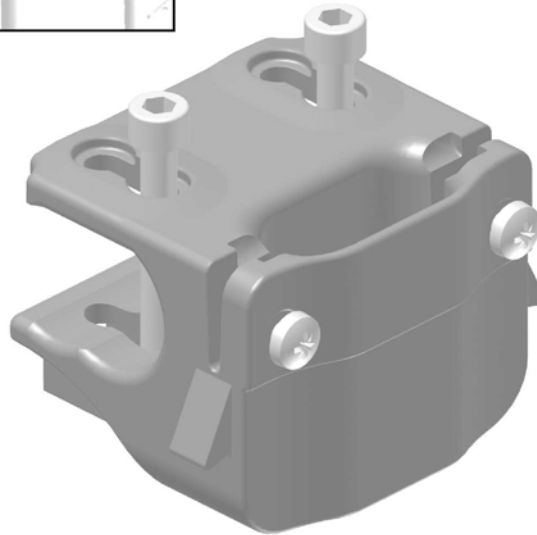
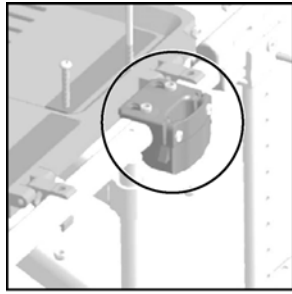
Pos.	Part number	Description	Valid from → until	Qty
1	1435729	Armrest Ha, "Rio", Pair, Short Pad		1
2	1435731	Armrest Ha, "Rio", Pair, Long Pad		1
3	1435461	ARMREST HA, RIO , LEFT, SHORT PAD		1
4	1435487	Armrest Ha, "Rio", Left, Long Pad		1
5	1435460	ARMREST HA, RIO , RIGHT, SHORT PAD		1
6	1435486	Armrest Ha, "Rio", Right, Long Pad		1
7	1434676	Short armpad		1
8	1508064	Ampad Rio, Long, Cpl		1
9	1434725	Skirtguard Rio height adjustable		1
10	5724189	Screw Pt-Fx H K40x14 Zn.PI		1
11	1435388	double-nut		1
12	1440027	Screw K50x25		1
14	SP1574539	ARMPAD COVER, SHORT, BLACK PLUSH TR35		1
15	SP1574609	ARMPAD COVER, LONG, BLACK PLUSH TR35		1
13	1560734	Spring pin locked armrest		1

Armrest, Ducktail



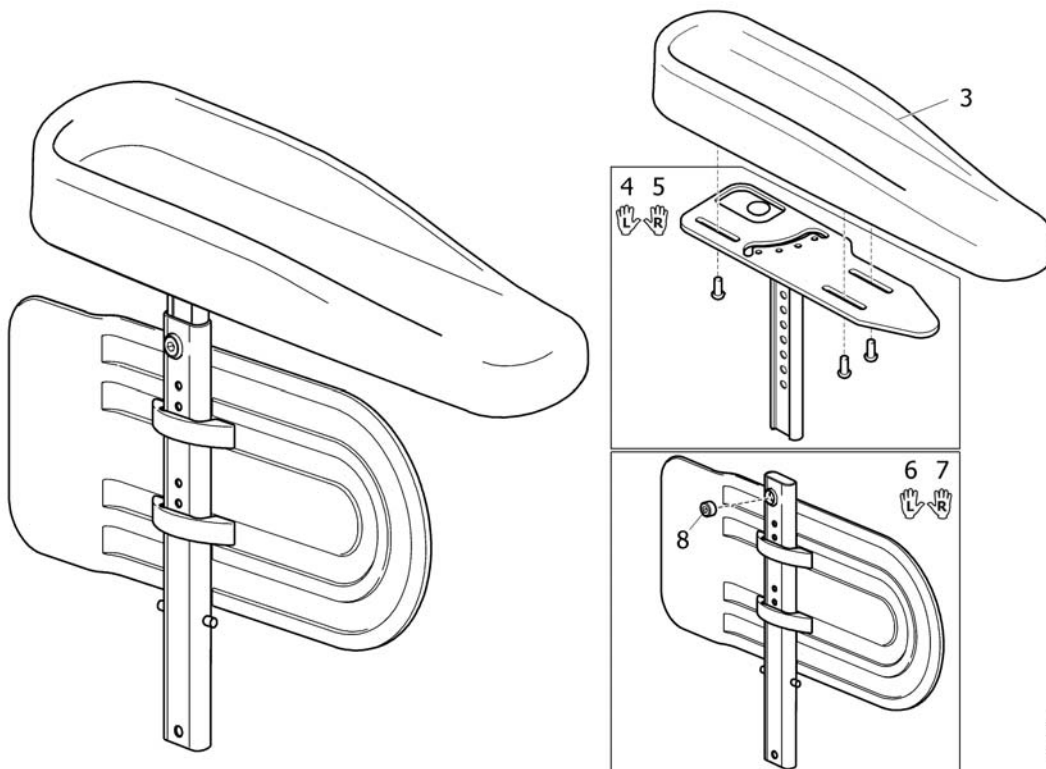
SPS1517367

Pos.	Part number	Description	Valid from → until	Qty
1	1530007	ARMREST, HEIGHT ADJ., CPL. PAIR		1
2	1517368	ARMREST, HEIGH ADJ. LEFT CPL.		1
3	1517367	ARMREST, HEIGH ADJ. RIGHT CPL.		1
4	1518704	ARMREST UPPER PART, HIGHT ADJ. PAIR		1
5	1518702	Ampad with support adjustable in height left		1
6	1518701	Ampad with support adjustable in height right		1
7	1415521	Skirtguard LH, cpl.		1
8	1415520	Skirtguard RH, cpl.		1
9	5106533	Locking screw M12X10		1
10	1560734	Spring pin locked armrest		1
11	1415453	Cover protects clothing Dartex Black		1
12	SP1563199	Padding, pair, armrest		1
13	SP1567515	HANDWHEEL KIT, PAIR, ARMREST		1
14	SP1451561	Ampad, Ducktail		1

Armrest attachment

Pos.	Part number	Description	Valid from → until	Qty
	1439823	ARMREST ATTACHMENT CPL. FOCUS		1

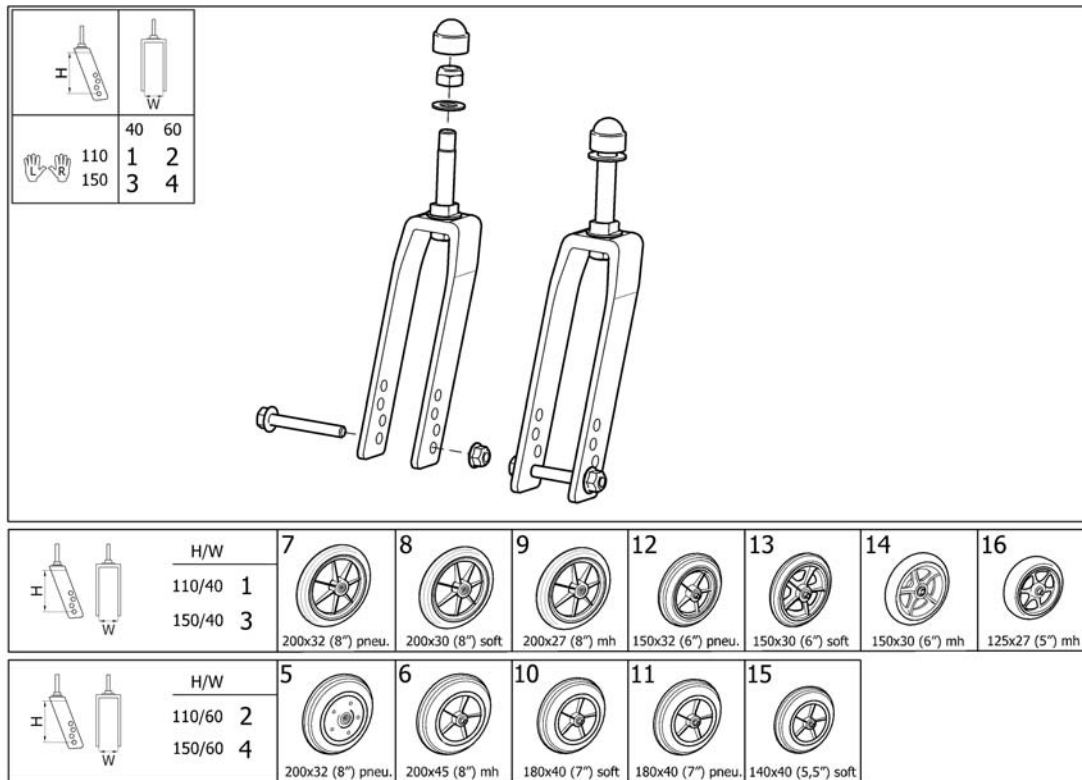
Armrest, hemiplegic



SPS 1492900

Pos.	Part number	Description	Valid from → until	Qty
1	1492901	Hemiplegic Armrest,Lh		1
2	1492900	Hemiplegic Armrest,Rh		1
3	1493251	Hemi dartex armpad		1
4	1494006	Support Hemi armrest Lh		1
5	1494005	Support Hemi armrest Rh		1
6	1415520	Skirtguard RH, cpl.		1
7	1415521	Skirtguard LH, cpl.		1
8	5106533	Locking screw M12X10		1

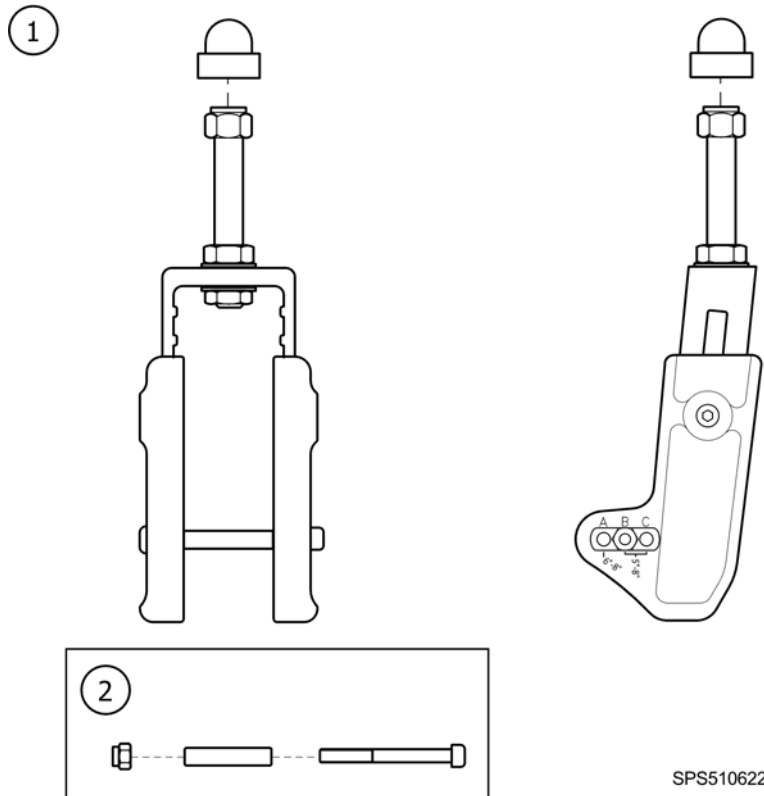
Castor wheels



1595320074

Pos.	Part number	Description	Valid from → until	Qty
1	1493442	FORK 110/40, FIXED, CPL, PAIR		1
2	1493443	FORK 110/60, FIXED, CPL, PAIR		1
3	1493440	FORK 150/40, FIXED, CPL, PAIR		1
4	1493441	FORK 150/60, FIXED, CPL, PAIR		1
5	0038N10005	Castor 200x50, Pneumatic		1
6	1418196	Castor With Spoked Rim 200X45 Solid		1
7	5322005	CASTOR 200x32 (8") PNEUMATIC		1
8	5750800	CASTOR 200x30 (8") SOFT		1
9	5322004	200 X 27 Semi Rigid Front Wheel		1
10	5750781	CASTOR 180x40 (7") SOFT		1
11	5750782	CASTOR 180x40 (7") PNEUMATIC		1
12	5322006	CASTOR 150x32 (6") PNEUMATIC		1
13	5750806	CASTOR 150X30 (6") SOFT (S)		1
14	1555797	CASTOR 150x30 (6") MH		1
15	5750734	Wheel Ø140X37 (5.5") soft		1
16	1491228	CASTOR 125X27 (5") MH	2008-10-09 →	1

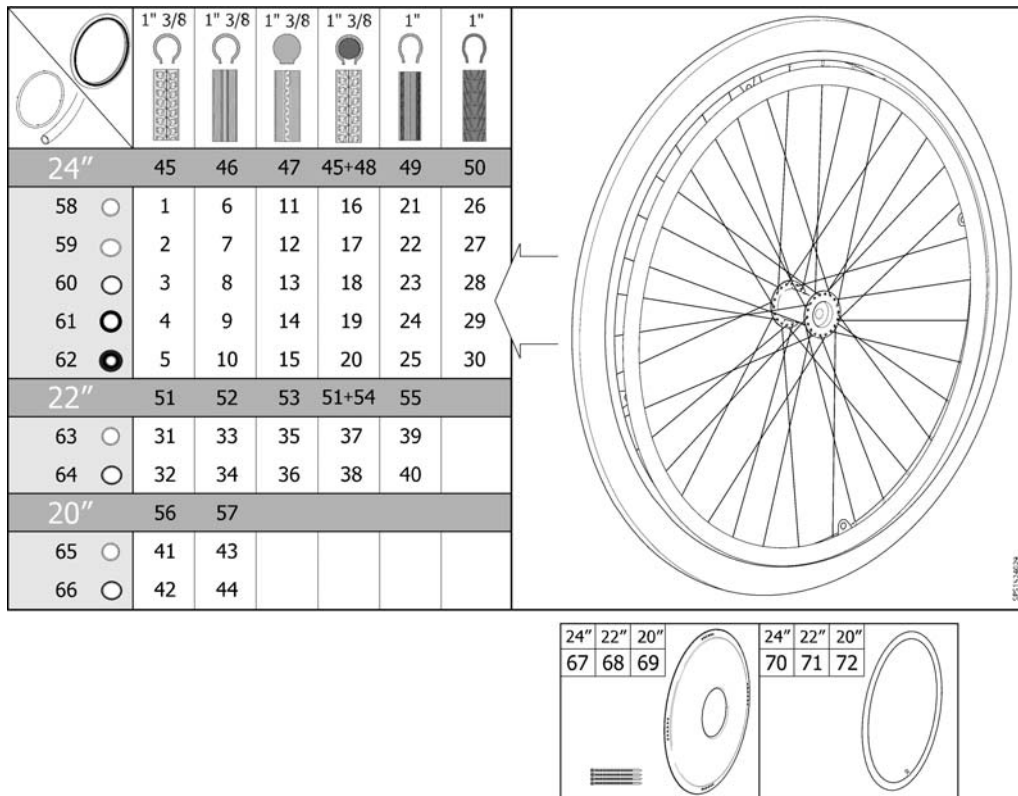
Castor fork, adjustable



SPS5106220

Pos.	Part number	Description	Valid from → until	Qty
1	5106221	ADJ CASTORFORK FIX CPL		1
2	1514483	ADAPTER KIT, ADJ. CASTOR		1

Wheel 24-22-20"



Pos.	Part number	Description	Valid from → until	Qty
1	1524030	Wheel 24" Pneu. Profiled + Handrim, Alu, Std2010		1
2	1524186	Wheel 24" Pneu. Profiled + Handrim, Plastic Coated, Std2010		1
3	1530764	Wheel 24" Pneu. Profiled + Handrim, Stainless, Std2010		1
4	1531508	Wheel 24" Pneu. Profiled + Handrim, Foam Coated, Std2010		1
5	1531563	Wheel 24" Pneu. Profiled + Handrim, Blackgrip, Std2010		1
6	1524029	Wheel 24" Pneu. Non-Marking + Handrim, Alu, Std2010		1
7	1524163	Wheel 24" Pneu. Non-Marking + Handrim, Plastic Coated, Std2010		1
8	1530763	Wheel 24" Pneu. Non-Marking + Handrim, Stainless, Std2010		1
9	1531462	Wheel 24" Pneu. Non-Marking + Handrim, Foam Coated, Std2010		1
10	1531538	Wheel 24" Pneu. Non-Marking + Handrim, Blackgrip, Std2010		1
11	1524050	Wheel 24" Solid + Handrim, Alu, Std2010		1
12	1524188	Wheel 24" Solid + Handrim, Plastic Coated, Std2010		1
13	1530762	Wheel 24" Solid + Handrim, Stainless, Std2010		1
14	1531531	Wheel 24" Solid + Handrim, Foam Coated, Std2010		1
15	1531564	Wheel 24" Solid + Handrim, Blackgrip, Std2010		1
16	1524150	Wheel 24" Punctureproof + Handrim, Alu, Std2010		1
17	1524189	Wheel 24" Punctureproof + Handrim, Plastic Coated, Std2010		1
18	1531129	Wheel 24" Punctureproof + Handrim, Stainless, Std2010		1
19	1531532	Wheel 24" Punctureproof + Handrim, Foam Coated, Std2010		1
20	1531565	Wheel 24" Punctureproof + Handrim, Blackgrip, Std2010		1
21	1524049	Wheel 24x1" Low Profile + Handrim, Alu., Std2010		1
22	1524187	Wheel 24x1" Low Profile + Handrim, Plastic Coated, Std2010		1
23	1531063	Wheel 24x1" Low Profile + Handrim, Stainless Steel, Std2010		1
24	1531533	Wheel 24x1" Low Profile + Handrim, Foam Coated, Std2010		1
25	1531566	Wheel 24x1" Low Profile + Handrim, Black Grip, Std2010		1
26	1532143	Wheel 24" Black Marathon + Handrim, Alu., Std2010		1
27	1532183	Wheel 24" Black Marathon + Handrim, Plastic Coated, Std2010		1
28	1532144	Wheel 24" Black Marathon + Handrim, Stainless Steel, Std2010		1
29	1532184	Wheel 24" Black Marathon + Handrim, Foam Coated, Std2010		1
30	1532185	Wheel 24" Black Marathon + Handrim, Black Grip, Std2010		1
31	1523949	Wheel 22" Pneu. Profiled + Handrim, Alu, Std2010		1

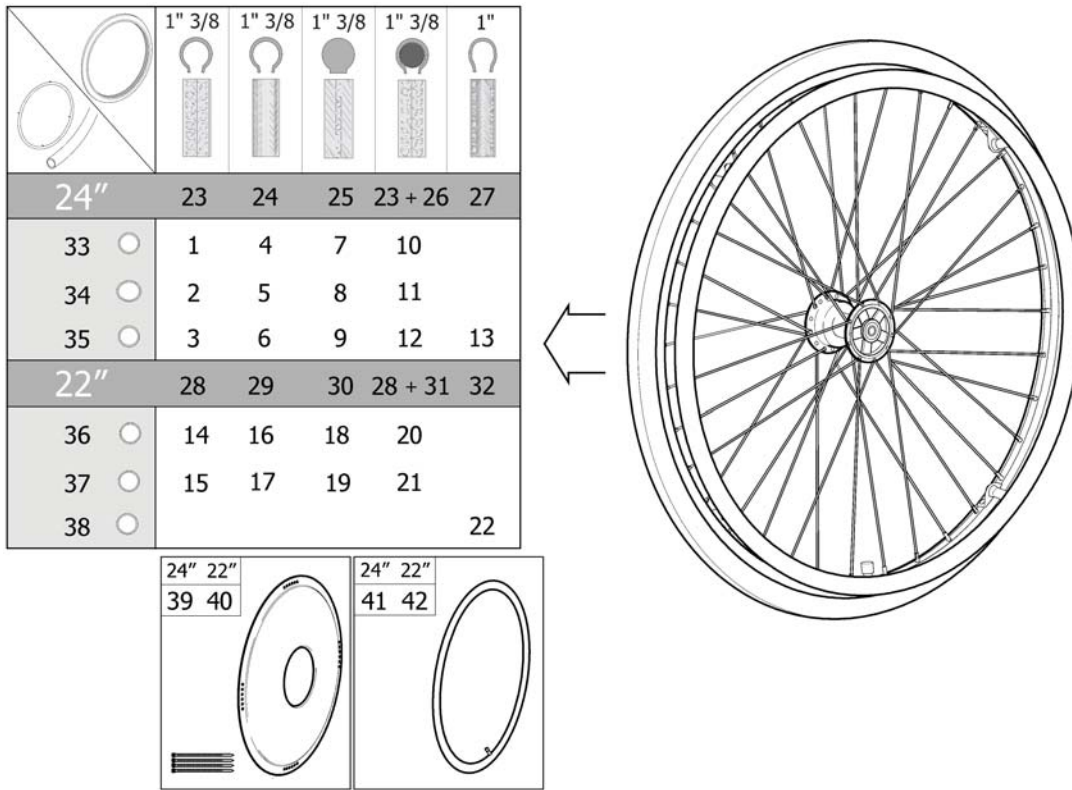
Wheel 24-22-20"

Pos.	Part number	Description	Valid from → until	Qty
32	1524024	Wheel 22" Pneu. Profiled + Handrim, Plastic Coated, Std2010		1
33	1523948	Wheel 22" Pneu. Non-Marking + Handrim, Alu, Std2010		1
34	1524023	Wheel 22" Pneu. Non-Marking + Handrim, Plastic Coated, Std2010		1
35	1524021	Wheel 22" Solid + Handrim, Alu, Std2010		1
36	1524027	Wheel 22" Solid + Handrim, Plastic Coated, Std2010		1
37	1524022	Wheel 22" Punctureproof + Handrim, Alu, Std2010		1
38	1524028	Wheel 22" Punctureproof + Handrim, Plastic Coated, Std2010		1
39	1524020	Wheel 22x1" Low Profile + Handrim, Alu., Std2010		1
40	1524026	Wheel 22x1" Low Profile + Handrim, Plastic Coated, Std2010		1
41	1523944	Wheel 20" Pneu. Profiled + Handrim, Alu, Std2010		1
42	1523945	Wheel 20" Pneu. Profiled + Handrim, Plastic Coated, Std2010		1
43	1523885	Wheel 20" Pneu. Non-Marking + Handrim, Alu, Std2010		1
44	1523902	Wheel 20" Pneu. Non-Marking + Handrim, Plastic Coated, Std2010		1
45	5750019	Tyre 24"x1 3/8", Profiled		1
46	5750014	Tyre 24"x1 3/8" (32-540), Non-Marking		1
47	5750015	Tyre 24"x1 3/8", Solid		1
48	5207046	Tube 24"x1 3/8", Flex		1
49	5750160	Tyre 24"x1" (25-540), Non-Marking		1
50	1512742	Tyre 24"x1" (25-540), Black Marathon		1
51	1531455	Tyre 22"x1 3/8" (37-501) Profiled		1
52	1531456	Pneumatic tyre, 22" x 1", HP, non marking		1
53	5750172	Tyre 22" Solid		1
54	5750732	Tube 22"x1 3/8", Flex		1
55	1531454	Tyre 22"x1" (25-501) Low Profile		1
56	5750017	Tyre 20"x1 3/8", Profiled		1
57	5750012	Tyre 20"x1 3/8", Non-Marking		1
58	1531577	Handrim Aluminium Cpl, 24" Wheel, Std2010		1
59	1531578	Handrim Plastic Cpl, 24" Wheel, Std2010		1
60	1531305	Handrim Stainless Cpl, 24" Wheel, Std2010		1
61	1531459	Handrim Foam Coated Cpl, 24" Wheel, Std2010		1
62	1531460	Handrim Black Grip Cpl, 24" Wheel, Std2010		1
63	1531579	Handrim Aluminium Cpl, 22" Wheel, Std2010		1
64	1531580	Handrim Plastic Cpl, 22" Wheel, Std2010		1
65	1530271	Handrim Aluminium Cpl, 20" Wheel, Std2010		1
66	1530272	Handrim Plastic Cpl, 20" Wheel, Std2010		1
67	5102807	Spoke Protection 24" Frosted Cpl		1
68	5102800	Spoke Protection 22" Frosted Cpl		1
69	5102795	Spoke Protection 20" Frosted Cpl		1
70	5750036	Tube 24"x1 3/8"		1
70	5750161	Tube 24"x1" (25-540)		1
71	5750035	Tube 22"x1 3/8"		1
72	5750034	Tube 20"x1 3/8"		1

Handrim Stainless Cpl, 24" Wheel, Std2010

Pos.	Part number	Description	Valid from → until	Qty
3854	1528924	SKRUV MRX M5X40 FZB, KLASS 4.8 PHIL, DIN 7985		4
3854	1529757	DRIVRING 24" ROSTFRI		1
3854	1531457	DISTANS DRIVRING L=22MM		4
3854	1531458	DISTANS DRIVRING L=5MM		4

Wheel 24-22" DB



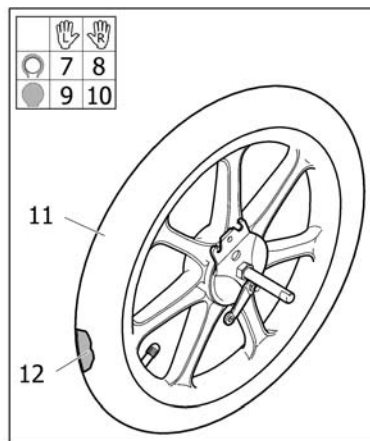
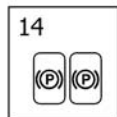
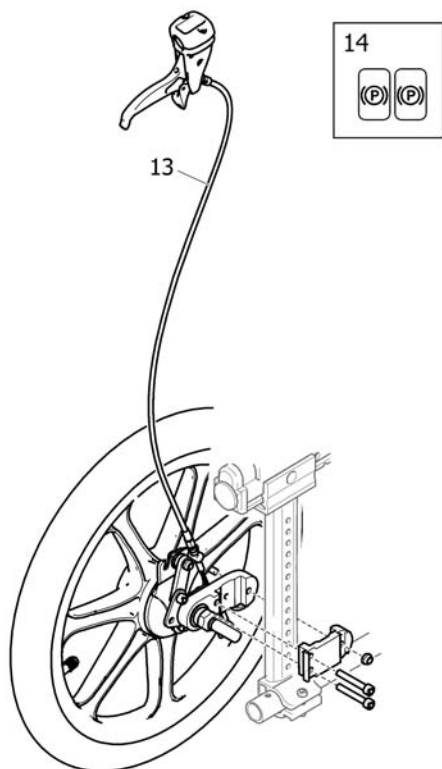
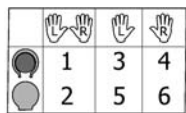
981534416

Pos.	Part number	Description	Valid from → until	Qty
1	1524437	Wheel 24" Db Pneu. Profiled + Handrim, Alu, Std2010		1
2	1524514	Wheel 24" Db Pneu. Profiled + Handrim, Plastic Coated, Std2010		1
3	1531080	Wheel 24" Db Pneu. Profiled + Handrim, Stainless, Std2010		1
4	1524436	Wheel 24" Db Pneu. Non-Marking + Handrim, Alu, Std2010		1
5	1524513	Wheel 24" Db Pneu. Non-Marking + Handrim, Plastic Coated, Std2010		1
6	1531064	Wheel 24" Db Pneu. Non-Marking + Handrim, Stainless, Std2010		1
7	1524447	Wheel 24" Db Solid + Handrim, Alu, Std2010		1
8	1524515	Wheel 24" Db Solid + Handrim, Plastic Coated, Std2010		1
9	1531127	Wheel 24" Db Solid + Handrim, Stainless, Std2010		1
10	1524512	Wheel 24" Db Punctureproof + Handrim, Alu, Std2010		1
11	1524516	Wheel 24" Db Punctureproof + Handrim, Plastic Coated, Std2010		1
12	1531128	Wheel 24" Db Punctureproof + Handrim, Stainless, Std2010		1
13	1536613	Wheel 24x1" Db Low Profile + Handrim, Stainless, Std2010		1
14	1524290	Wheel 22" Db Pneu. Profiled + Handrim, Alu, Std2010		1
15	1524361	Wheel 22" Db Pneu. Profiled + Handrim, Plastic Coated, Std2010		1
16	1524289	Wheel 22" Db Pneu. Non-Marking + Handrim, Alu, Std2010		1
17	1524337	Wheel 22" Db Pneu. Non-Marking + Handrim, Plastic Coated, Std2010		1
18	1524291	Wheel 22" Db Solid + Handrim, Alu, Std2010		1
19	1524388	Wheel 22" Db Solid + Handrim, Plastic Coated, Std2010		1
20	1524292	Wheel 22" Db Punctureproof + Handrim, Alu, Std2010		1
21	1524435	Wheel 22" Db Punctureproof + Handrim, Plastic Coated, Std2010		1
22	1536612	Wheel 22x1" Db Low Profile + Handrim, Stainless, Std2010		1
23	5750019	Tyre 24"x1 3/8", Profiled		1
24	5750014	Tyre 24"x1 3/8" (32-540), Non-Marking		1
25	5750015	Tyre 24"x1 3/8", Solid		1
26	5207046	Tube 24"x1 3/8", Flex		1
27	5750160	Tyre 24"x1" (25-540), Non-Marking		1
28	1531455	Tyre 22"x1 3/8" (37-501) Profiled		1
29	1531456	Pneumatic tyre, 22" x 1", HP, non marking		1
30	5750172	Tyre 22" Solid		1
31	5750732	Tube 22"x1 3/8", Flex		1

Wheel 24-22" DB

Pos.	Part number	Description	Valid from → until	Qty
32	1531454	Tyre 22"x1" (25-501) Low Profile		1
33	1531577	Handrim Aluminium Cpl, 24" Wheel, Std2010		1
34	1531578	Handrim Plastic Cpl, 24" Wheel, Std2010		1
35	1531305	Handrim Stainless Cpl, 24" Wheel, Std2010		1
36	1531579	Handrim Aluminium Cpl, 22" Wheel, Std2010		1
37	1531580	Handrim Plastic Cpl, 22" Wheel, Std2010		1
38	1536546	Handrim, Stainless Cpl, 22" Wheel, Std2010		1
39	5102807	Spoke Protection 24" Frosted Cpl		1
40	5102800	Spoke Protection 22" Frosted Cpl		1
41	5750036	Tube 24"x1 3/8"		1
42	5750035	Tube 22"x1 3/8"		1

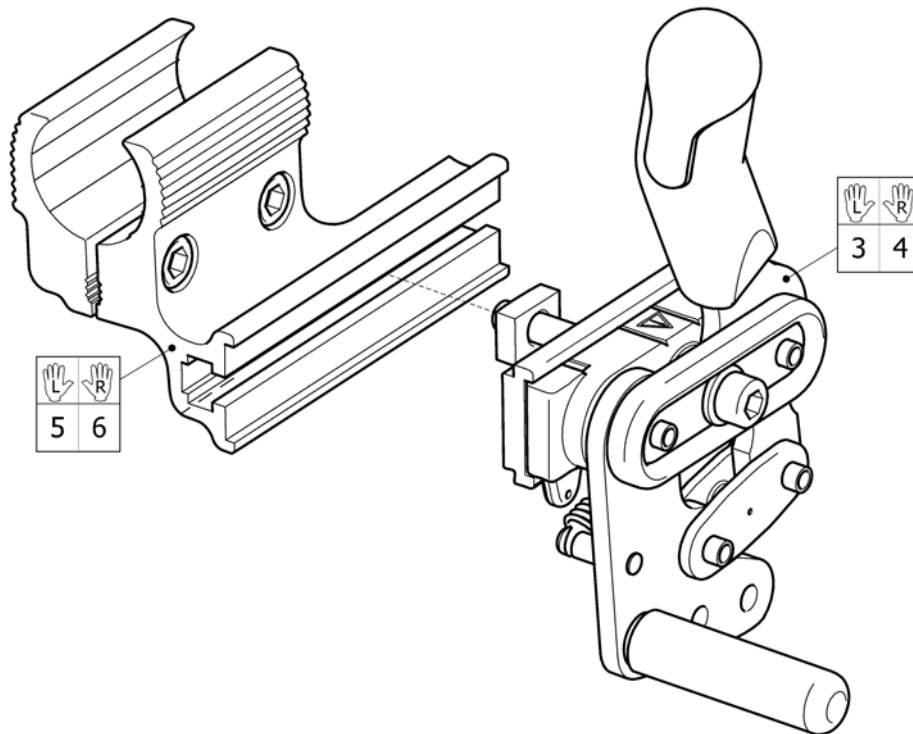
Wheel 16"



SP31543790

Pos.	Part number	Description	Valid from → until	Qty
1	1543749	WHEEL 16" DB PNEU PAIR, INCL. CABLE ASSY.		1
2	1543746	WHEEL 16" DB SOLID PAIR, INCL. CABLE ASSY.		1
3	1543751	WHEEL 16" DB PNEU LE, INCL. CABLE ASSY.		1
4	1543750	WHEEL 16" DB PNEU RI, INCL. CABLE ASSY.		1
5	1543748	WHEEL 16" DB SOLID LE, INCL. CABLE ASSY.		1
6	1543747	WHEEL 16" DB SOLID RI, INCL. CABLE ASSY.		1
7	1537134	WHEEL 16" PNEU DB LEFT		1
8	1537133	WHEEL 16" PNEU DB RIGHT		1
9	1537136	WHEEL 16" SOLID DB LEFT		1
10	1537135	WHEEL 16" SOLID DB RIGHT		1
11	1440029	Tyre 16"x1,75 Pneu		1
12	5750778	Tube 16" x 1.75		1
13	1527422	Cable Assy 875, Brake		1
14	1536764	DECAL, CABLE ASSEMBLY, BRAKE		1

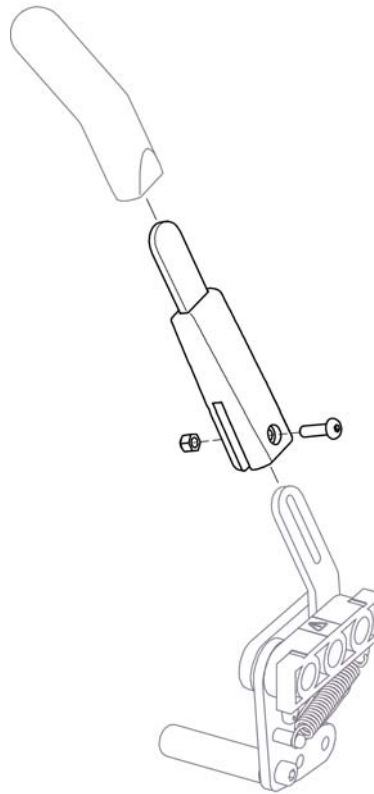
Brake



Pos.	Part number	Description	Valid from → until	Qty
1	1435800	BRAKE-MALTA CPL LE, INCL ATTACMENT		1
2	1435799	BRAKE-MALTA CPL RI, INCL ATTACMENT		1
3	1495323	BRAKE FOCUS,LEFT		1
4	1495322	BRAKE FOCUS,RIGHT		1
5	1518621	Attachment Le, Brake Extended		1
6	1518620	Attachment Ri, Brake Extended		1

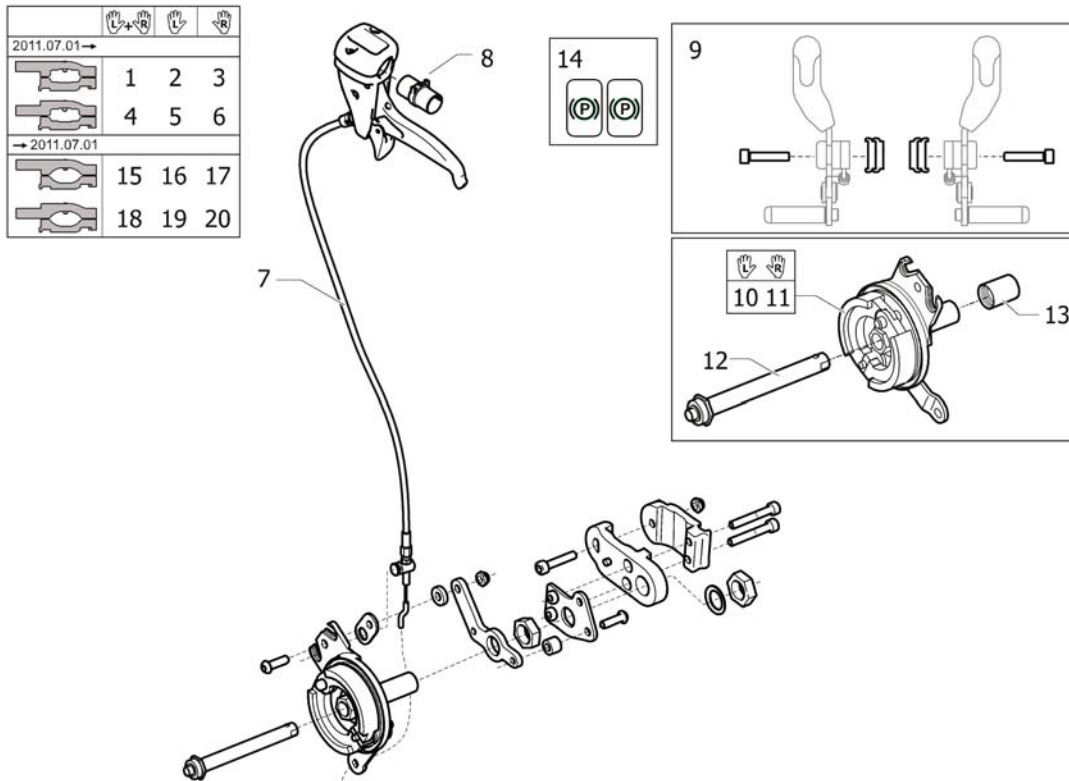
Attachment Ri, Brake Extended

Pos.	Part number	Description	Valid from → until	Qty
DG	5221304	BRAKE CLAMP INNER 25		1
DG	5226143	BRAKE CLAMP OUTER RI,XLT		1
DG	5724089	SCREW MC6S M6X25 FZB 8.8 DIN 912		2



Pos.	Part number	Description	Valid from → until	Qty
	5203340	Brake arm extension, cpl.		1

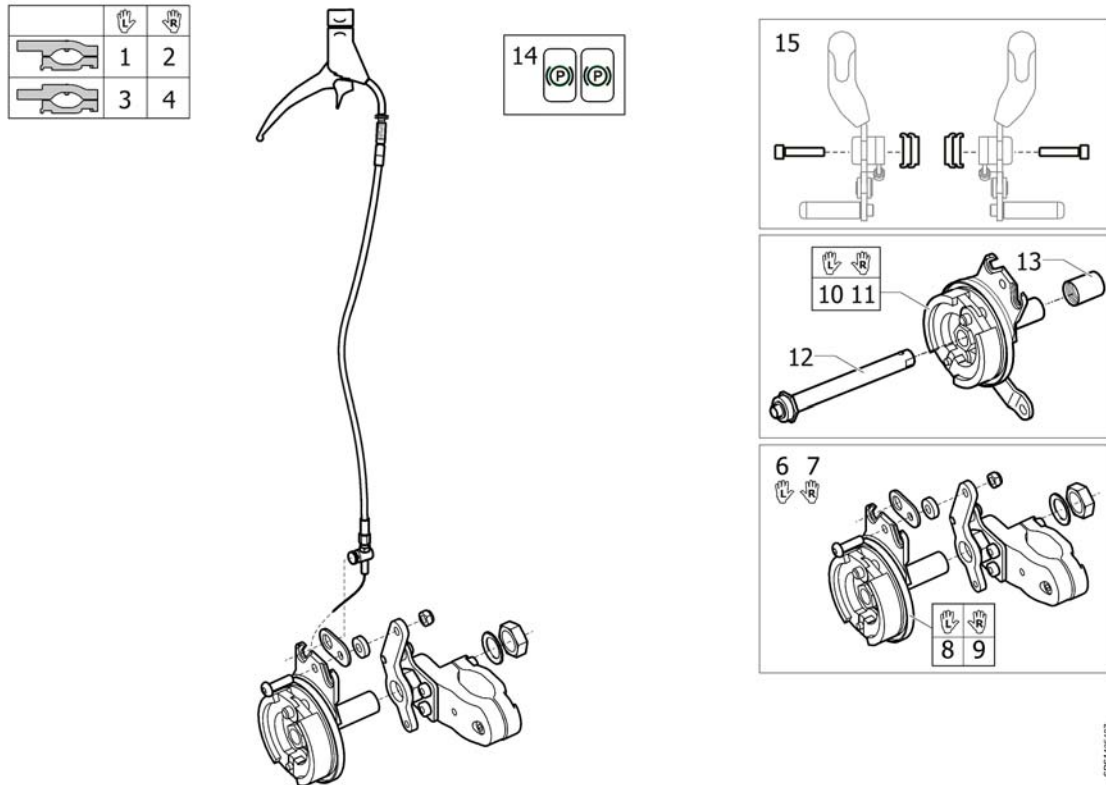
Drumbrake, assistant manoeuvred Focus



SPS1536438

Pos.	Part number	Description	Valid from → until	Qty
1	1542525	BRAKE KIT 24" DB PAIR		1
2	1542526	BRAKE KIT 24" DB LEFT, CPL		1
3	1542527	BRAKE KIT 24" DB RIGHT, CPL		1
4	1542528	BRAKE KIT 24" DB PAIR, NARROW		1
5	1542529	BRAKE KIT 24" DB LEFT, CPL NARROW		1
6	1542530	BRAKE KIT 24" DB RIGHT, CPL NARROW		1
7	1527423	Cable Assy 955, Brake		1
8	1542447	ADAPTER, HANDLE		1
9	1517109	KIT, SPACERS, BRAKE, 10 MM, PAIR		1
10	1536252	DRUMBRAKE UNIT, RIGHT, MBL		1
11	1536253	DRUMBRAKE UNIT, LEFT, MBL		1
12	5750192	Axle, Drumbrake		1
13	5100925	PROTECTION CAP		1
14	1536764	DECAL, CABLE ASSEMBLY, BRAKE		1
15	1536436	BRAKE KIT 24" DB CPL, PAIR		1
16	1536437	BRAKE KIT 24" DB LEFT, CPL		1
17	1536438	BRAKE KIT 24" DB RIGHT, CPL		1
18	1539472	BRAKE KIT 24" DB CPL, PAIR NARROW		1
19	1539473	BRAKE KIT 24" DB LEFT, CPL NARROW		1
20	1539474	BRAKE KIT 24" DB RIGHT, CPL NARROW		1

Drumbrake, assistant manoeuvred (=> 2010.11)

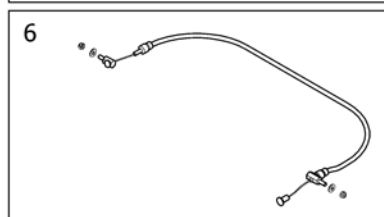
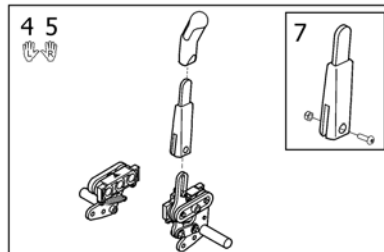
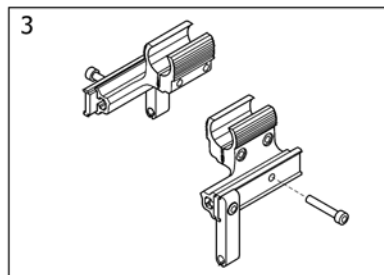
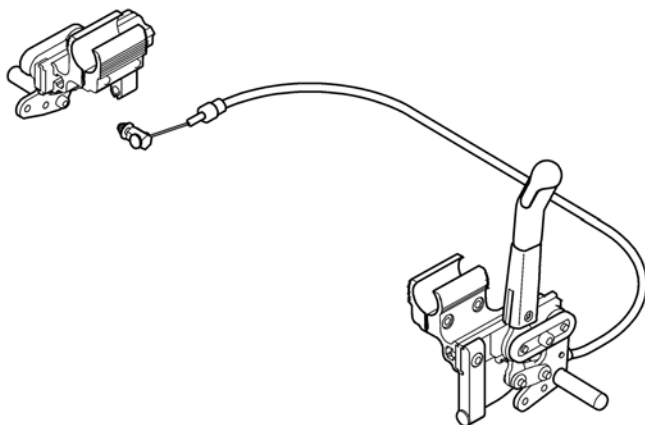


SPP1485427

Pos.	Part number	Description	Valid from → until	Qty
1	1513133	DRUMBRAKE KIT, LEFT		1
2	1513132	DRUMBRAKE KIT, RIGHT		1
3	1516331	DRUMBRAKE KIT, LEFT, NARROW		1
4	1516330	DRUMBRAKE KIT, RIGHT, NARROW		1
5	1513097	WIRE KIT, DB, L=780		1
6	1485413	REARWHEEL ATTACHMENT, LEFT, DRUMBRAKE		1
7	1485414	REARWHEEL ATTACHMENT, RIGHT, DRUMBRAKE		1
8	5750199	Drumbrake Unit, Lh		1
9	5750705	Drumbrake Unit, Rh		1
10	1536252	DRUMBRAKE UNIT, RIGHT, MBL		1
11	1536253	DRUMBRAKE UNIT, LEFT, MBL		1
12	5750192	Axle, Drumbrake		1
13	5100925	PROTECTION CAP		1
14	1536764	DECAL, CABLE ASSEMBLY, BRAKE		1
15	1517109	KIT, SPACERS, BRAKE, 10 MM, PAIR		1

One arm brake

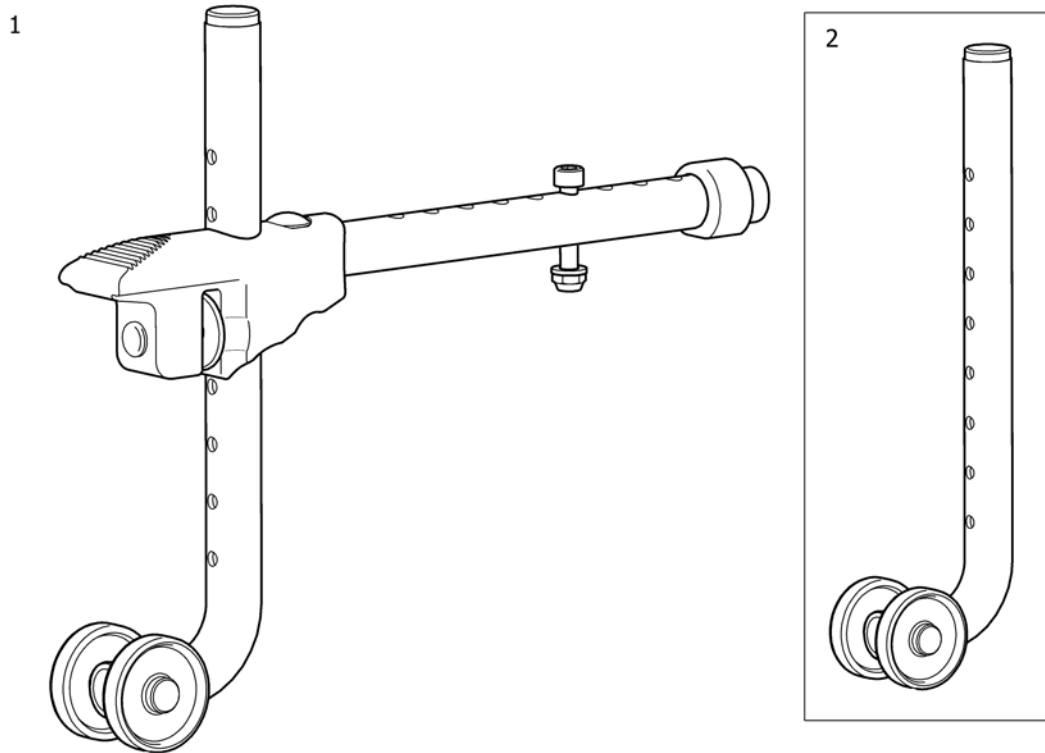
1 2

SP21149900

Pos.	Part number	Description	Valid from → until	Qty
1	1449900	BRAKE ONE ARM FOC.CPL LE		1
2	1449899	BRAKE ONE ARM FOC.CPL RI		1
3	1514808	ATTACHMENT PAIR ONE ARM BRAKE, FOCUS		1
4	1518563	One arm brake, left		1
5	1518564	One arm brake, right		1
6	1514742	WIRE CONTROL ONE ARM BRAKE		1
7	5203340	Brake arm extension, cpl.		1

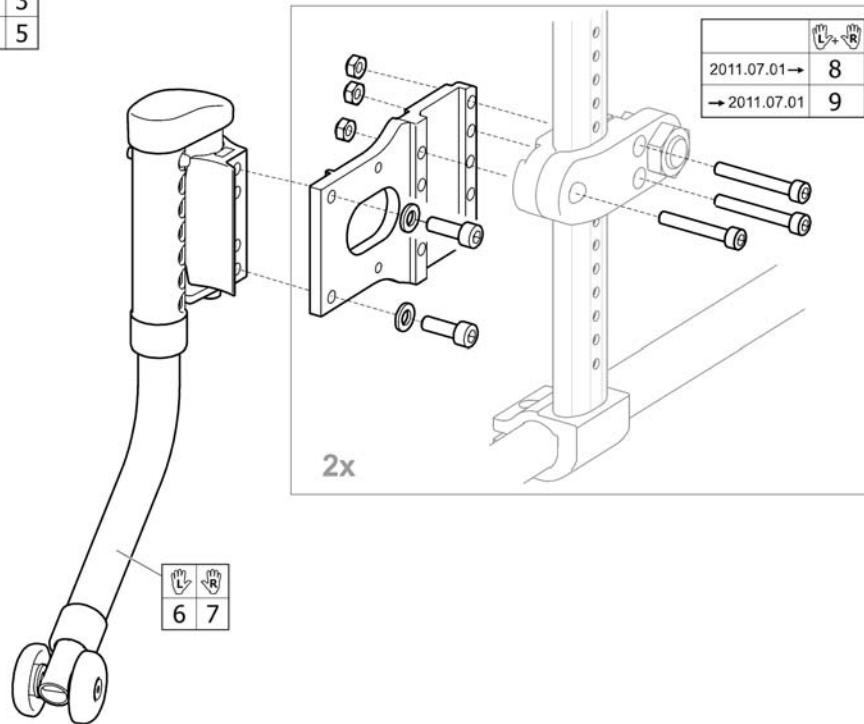
Anti-tip device



Pos.	Part number	Description	Valid from → until	Qty
1	1435470	ANTI-TIP DEVICE, FOCUS		1

Anti-tip device, swingaway



2011.07.01 →	1	2	3
→ 2011.07.01	-	4	5

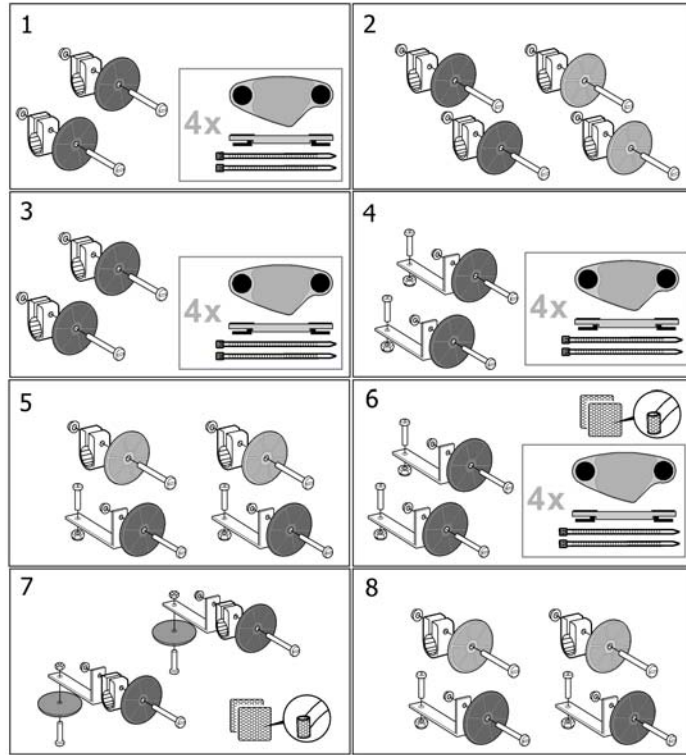


BP31509174

Pos.	Part number	Description	Valid from → until	Qty
1	1508973	ANTI-TIP DEVICE, SWING AWAY, PAIR, FOCUS		1
2	1549059	ANTI-TIP DEVICE SWING-AWAY CPL, LEFT, FOCUS		1
3	1549060	ANTI-TIP DEVICE SWING-AWAY CPL, RIGHT, FOCUS		1
4	1508975	ANTI-TIP DEVICE SWING AWAY, CPL, LE		1
5	1508974	ANTI-TIP DEVICE SWING AWAY, CPL, RI		1
6	1509928	Anti-Tip Device Swing Away, High, Le		1
7	1509927	ANTI-TIP DEVICE SWING AWAY, HIGH, RI		1
8	1546735	KIT, ATTACHMENT PAIR, SWING-AWAY, FOCUS		1
9	1513022	KIT, ATTACHMENT PAIR, ANTI-TIP DEVICE SWINGAWAY, FOCUS		1

Reflector

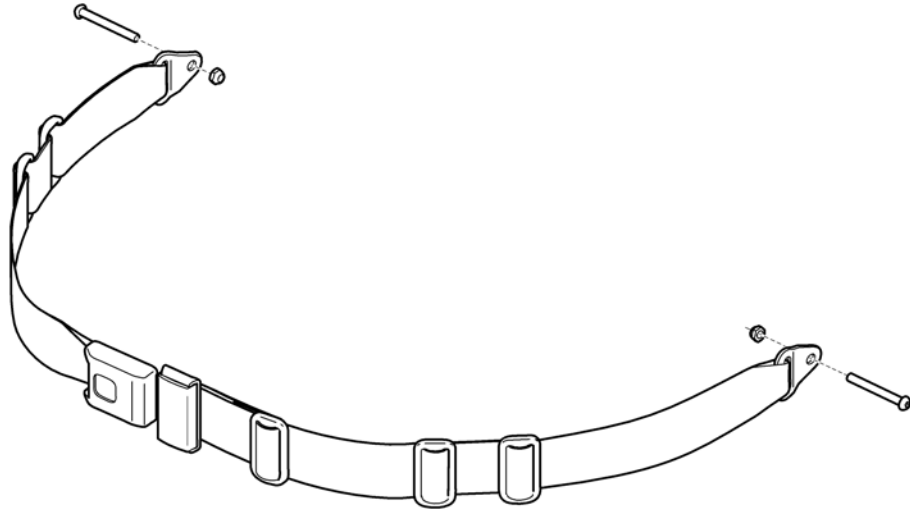
		
	20-26"	16"
Azalea	1	2
Bellis	3	3
Clematis	1	-
Focus	4	8
Spin ^x	1	-
Spirea ² , Spirea ³ , Spirea ^{4NG}	4	5
Wheeler	6	7
XLT, XLT Max	3	-



Pos.	Part number	Description	Valid from → until	Qty
1	SP5206655	Reflector kit 20-24"		1
2	SP5254249	Reflector kit 16"		1
3	5206640	Reflector Kit 3		1
4	5104965	Reflector Kit 5		1
5	1435760	Reflector Kit 6		1
6	5108147	Reflector Kit 7		1
7	5108024	Reflector Kit 8		1
8	1546559	Reflector Kit 9		1

Pelvic belt

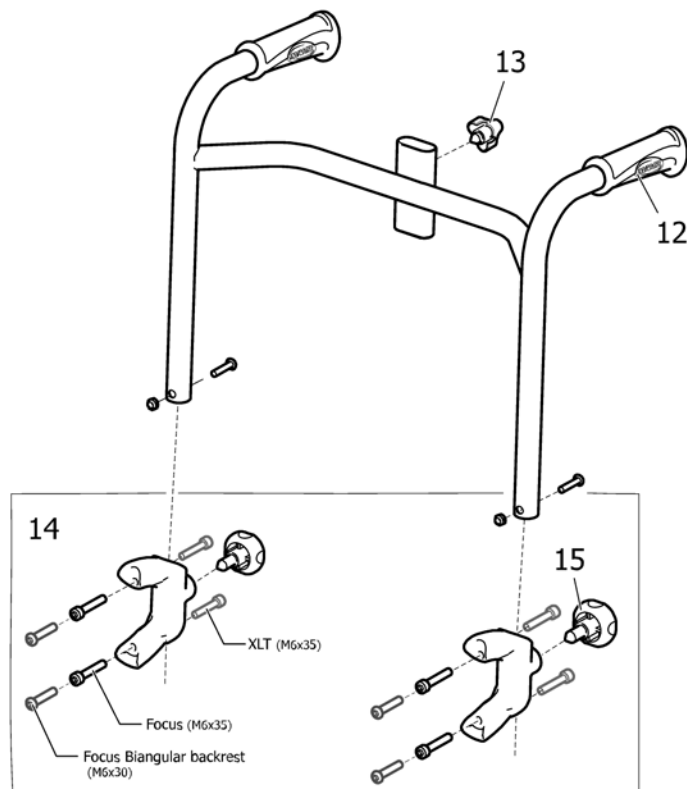
1



SPS150360

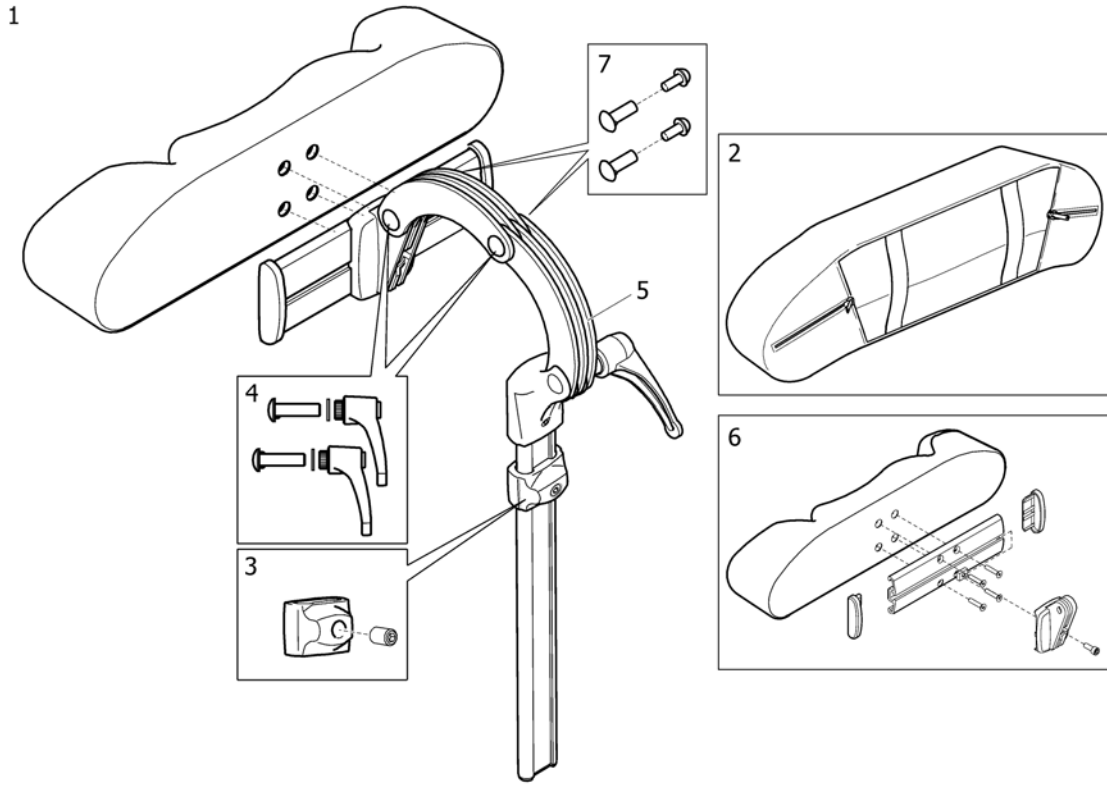
Pos.	Part number	Description	Valid from → until	Qty
1	1543660	PELVIC BELT INCL. ATTACHMENTS		1

SW (cm)	
Focus, Spirea ³ , XLT	
33	1
35,5	2
38	3
40,5	4
43	5
45,5	6
48	7
50,5	8
53	9
55,5	10
60,5	11



Pos.	Part number	Description	Valid from → until	Qty
1	1512900	Bow, Head & Neckrest, Sw 33/34		1
2	1530539	Bow, Head & Neckrest, Sw 35.5		1
3	1435750	Bow, Head & Neckrest, Sw 38 (355)		1
4	1483920	Bow, Head & Neckrest, Sw 40.5 (380)		1
5	1435751	Bow, Head & Neckrest, Sw 43 (405)		1
6	1483921	Bow, Head & Neckrest, Sw 45.5 (430)		1
7	1435752	Bow, Head & Neckrest, Sw 48 (455)		1
8	1483922	Bow, Head & Neckrest, Sw 50.5 (480)		1
9	1435539	Bow, Head & Neckrest, Sw 53 (505)		1
10	1532498	Bow, Head & Neckrest, Sw 55.5		1
11	1532563	Bow, Head & Neckrest, Sw 60.5		1
12	SP1429301	HANDLE 20MM, PAIR		1
13	5221122	Handwheel M12		1
14	1512904	Attachment, Pushhandles, Pair		1
15	1434841	Handwheel M10-22,5		1

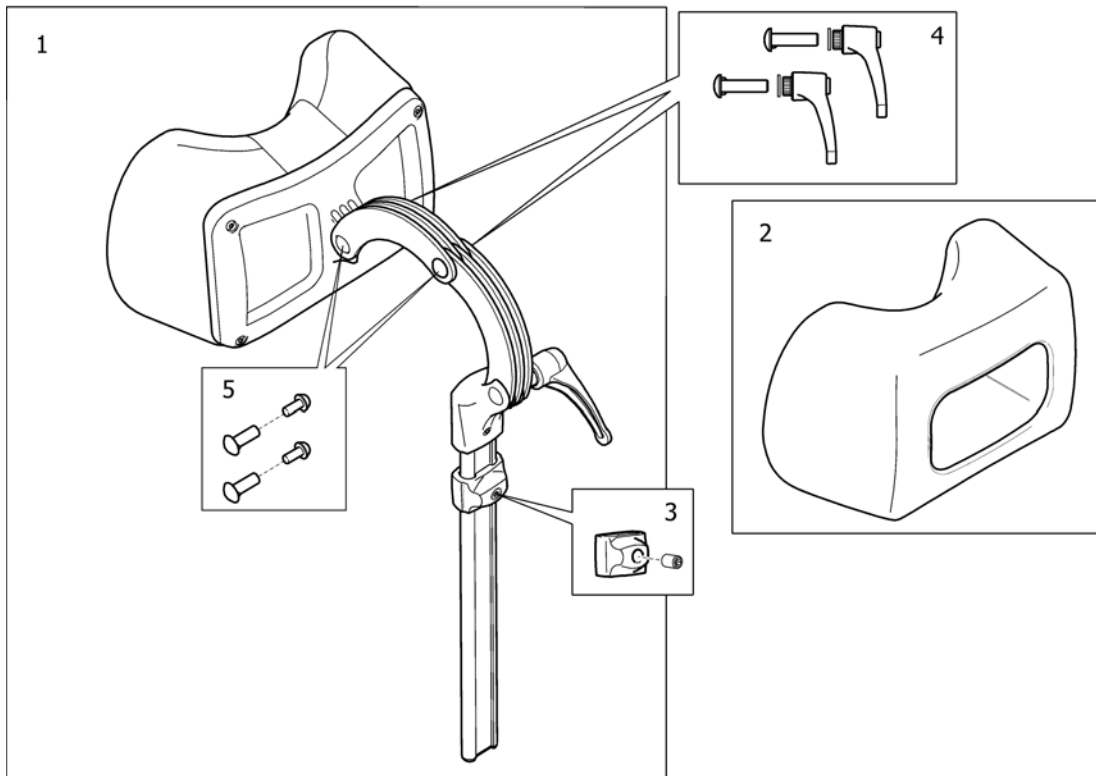
Headrest



SPS144659

Pos.	Part number	Description	Valid from → until	Qty
1	1446559	HEADREST TR26 CPL SIDEWISE ADJUSTABLE		1
2	1518516	Cover for headrest TR26		1
3	1448661	stop neck and headrest		1
4	1445693	HANDLES, CLINIC KIT NECK- AND HEADREST		1
5	1485538	Headrest fixation kit		1
6	1530755	HEADREST CUSHION CPL		1
7	SP1572769	FASTENERS KIT, HEAD- & NECKREST		1

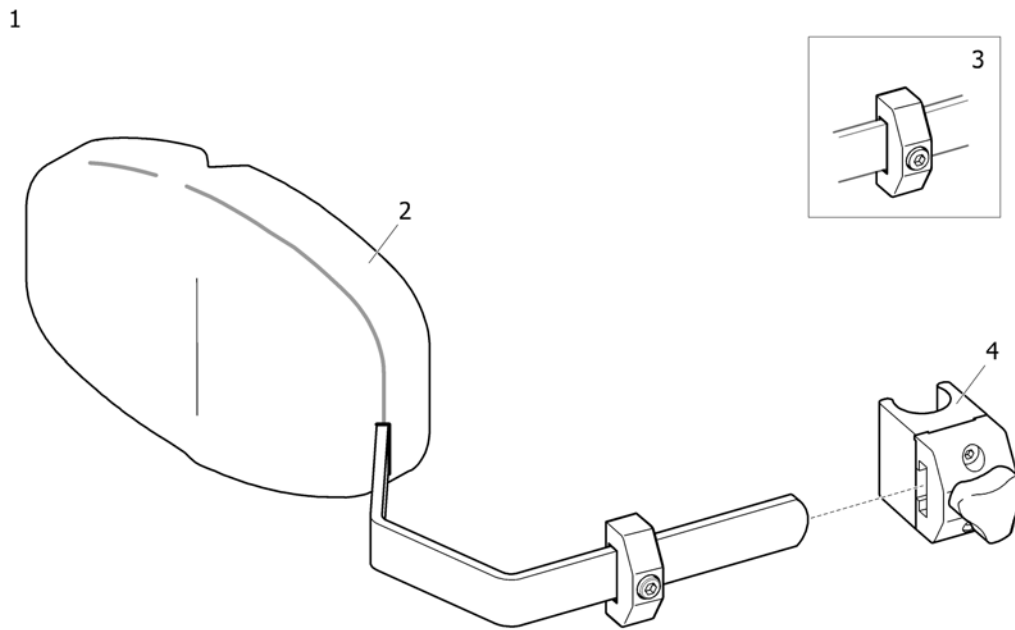
Neckrest



SP150848

Pos.	Part number	Description	Valid from → until	Qty
1	1508848	NECKREST, CPL		1
2	1518517	Cover neckrest TR34		1
3	1448661	stop neck and headrest		1
4	1445693	HANDLES, CLINIC KIT NECK- AND HEADREST		1
5	SP1572769	FASTENERS KIT, HEAD- & NECKREST		1

Trunk support, Laguna2, multi adjustable

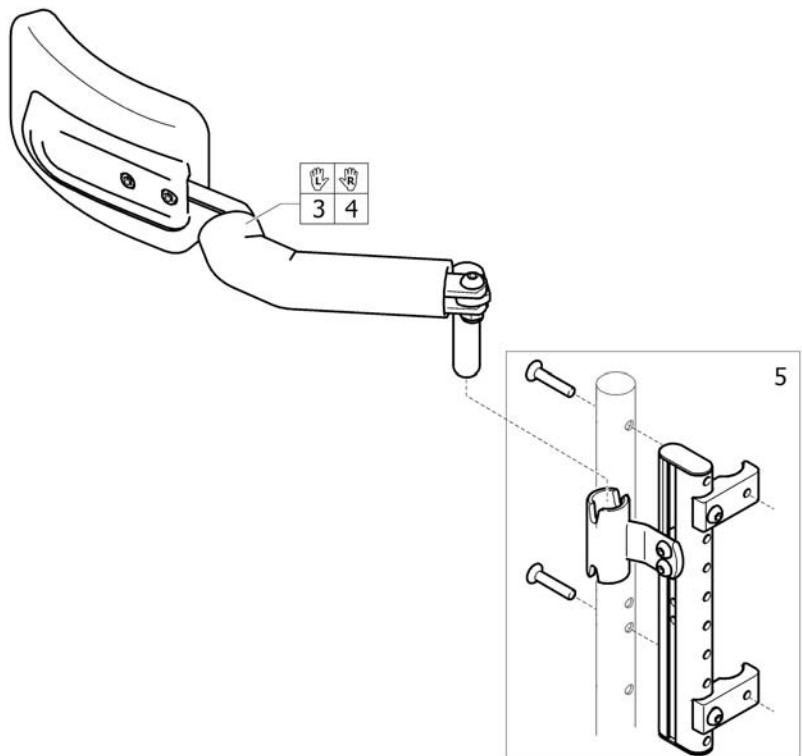


SPPS 1508955

Pos.	Part number	Description	Valid from → until	Qty
1	1508955	TRUNK SUPPORT, CPL, DARTEX BLACK		1
2	1444207	TRUNK SUPPORT, MULTI ADJ.		1
3	1448728	Memory, Trunk support		1
4	5206283	CLAMP CPL, TRUNK SUPPORT		1

Trunk support, Swingaway, Laguna2, gasspring

1 2
 



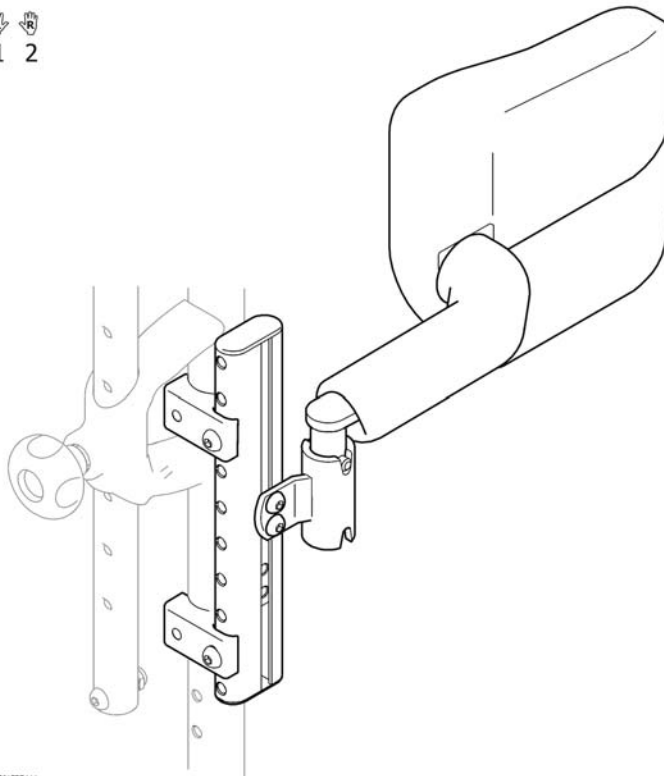
SP51552735

Pos.	Part number	Description	Valid from → until	Qty
1	1552734	Part not for sale		1
2	1552735	Part not for sale		1
3	1552736	TRUNK SUPPORT 2012, LE, SWINGAWAY		1
4	1552737	TRUNK SUPPORT 2012, RI, SWINGAWAY		1
5	1527444	Attachment, Trunk Support		1

Trunk support, Swingaway, Laguna2, gasspring (->2012.04)

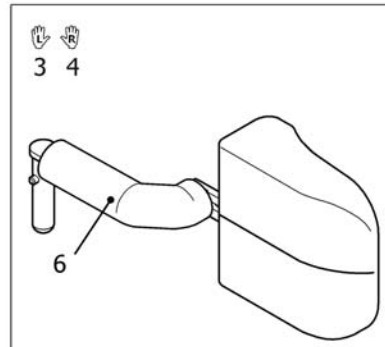


 1 2

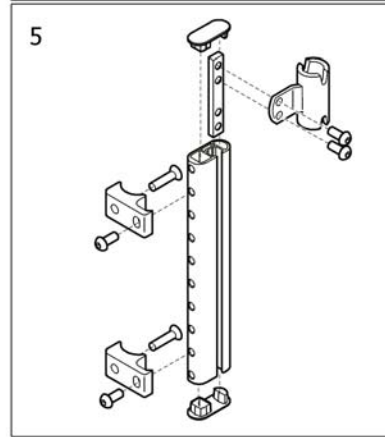




 3 4

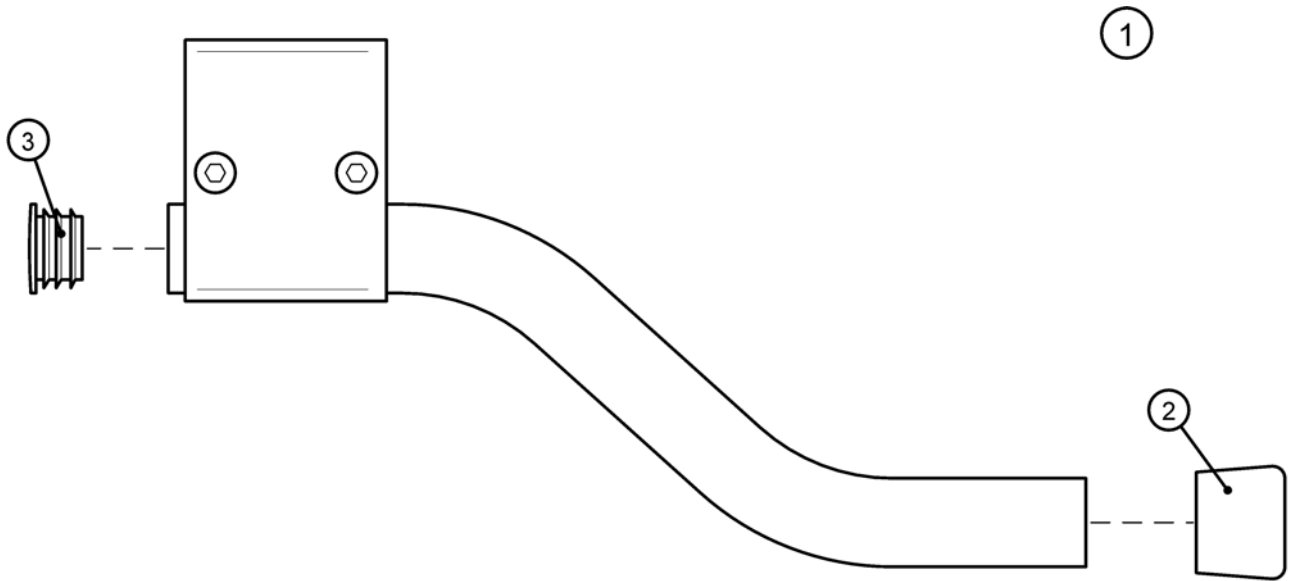


5



Pos.	Part number	Description	Valid from → until	Qty
1	1527443	Trunk Support, Lh, Cpl, Incl. Attachment, Focus Gasspring		1
2	1527442	Trunk Support, Rh, Cpl, Incl. Attachment, Focus Gasspring		1
3	1512826	Trunk Support, Lh, Cpl.		1
4	1512825	Trunk Support, Rh, Cpl.		1
5	1527444	Attachment, Trunk Support		1
6	1437642	Trunk Protection Dartex		1

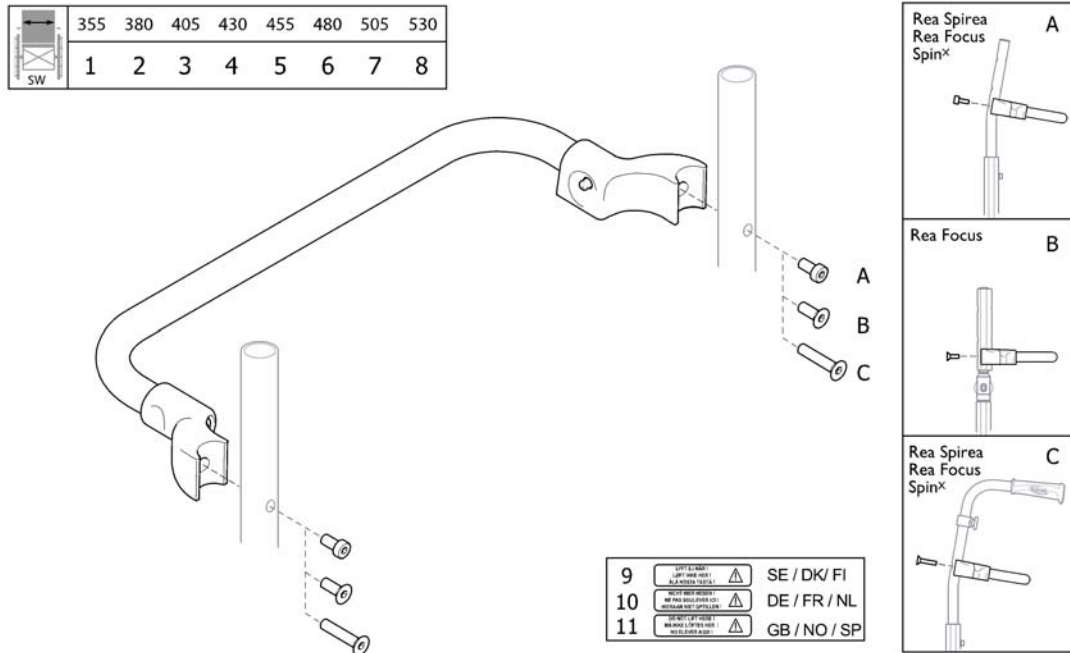
Step tube



SPS510327E

Pos.	Part number	Description	Valid from → until	Qty
1	5103276	STEPTUBE CPL		1
2	5716299	PLASTIC CAP K 22 BLACK		1
3	5716296	Plug Ø22x19.5, plastic black		1

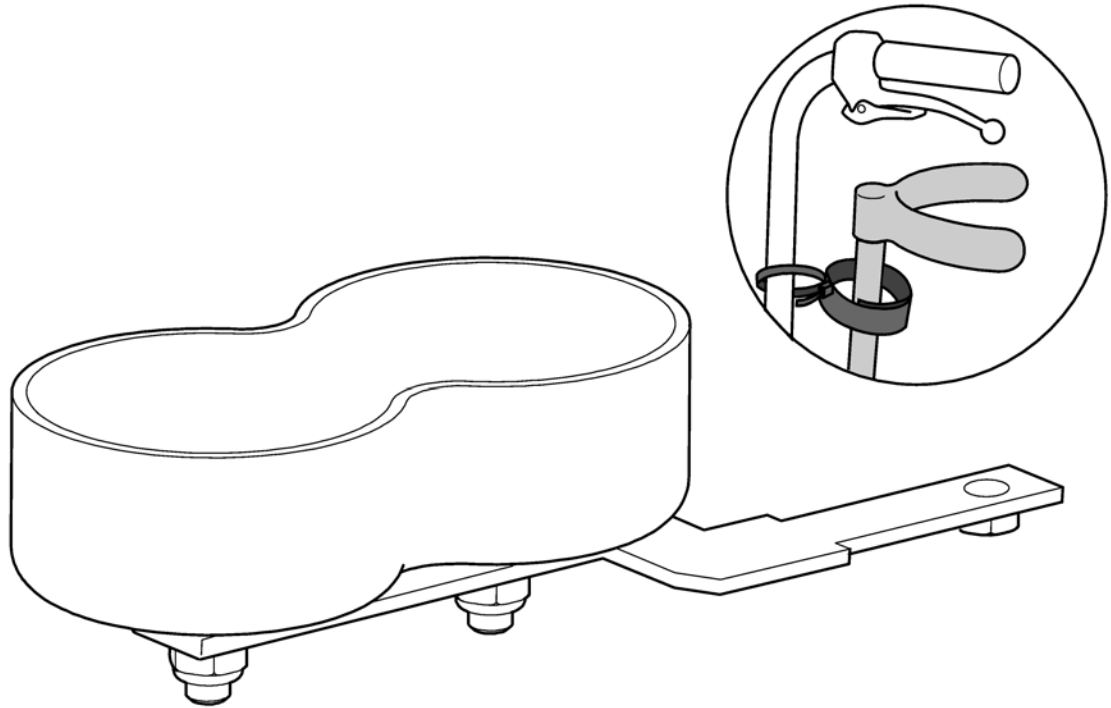
Backrest stay



Pos.	Part number	Description	Valid from → until	Qty
1	5106188-C9005	Backrest Stay 35.5 Cpl.		1
2	5106399-C9005	Backrest Stay 38 Cpl.		1
3	5221696-C9005	Backrest Stay 40.5 Cpl.		1
4	5106331-C9005	Backrest Stay 43 Cpl.		1
5	5106190-C9005	Backrest Stay 45.5 Cpl.		1
6	1435484-9005	Backrest Stay 48 Cpl.		1
7	5106191-C9005	Backrest Stay 50.5 Cpl.		1
8	1435490-9005	Backrest Stay 53 Cpl.		1
9	5106299	Sticker Warning (Se/Dk/Fi)		1
10	5106300	Sticker Warning (De/Fr/Nl)		1
11	5106301	Sticker Warning (Gb/No/Sp)		1

Crutch holder Focus

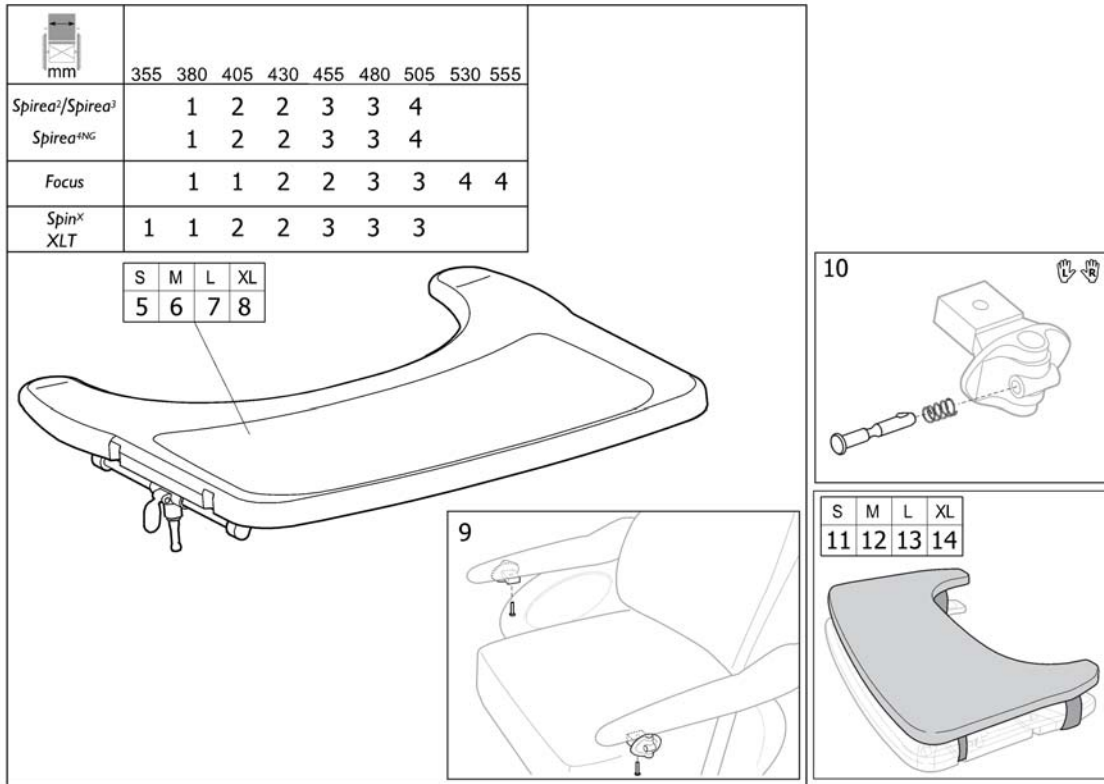
1



SPS1435754

Pos.	Part number	Description	Valid from → until	Qty
1	1435754	CRUTCH HOLDER		1

Table tray



Pos.	Part number	Description	Valid from → until	Qty
1	SP1570747	TABLE TRAY SMALL INCL. MOUNTING KIT		1
2	SP1570748	Table tray MEDIUM incl. mounting kit		1
3	SP1570749	Table tray LARGE incl. mounting kit		1
4	SP1570775	Table tray X-LARGE incl. mounting kit		1
5	SP1567517	TABLE TRAY SMALL		1
6	SP1567518	Table tray Medium		1
7	SP1567519	Table tray Large		1
8	SP1568862	Table tray X-Large		1
9	SP1570745	Mounting Kit for table (pair)		1
10	SP1572460	Locking device for comfort tray (pair)		1
11	SP1570746	TABLE CUSHION, SMALL		1
12	SP1571269	TABLE CUSHION, MEDIUM		1
13	SP1571270	TABLE CUSHION, LARGE		1
14	SP1571271	TABLE CUSHION, X-LARGE		1



Yes, you can.®



Belgium & Luxemburg:

Invacare nv, Autobaan 22, B-8210 Loppem
Tel: (32) (0)50 83 10 10, Fax: (32) (0)50 83 10 11
belgium@invacare.com / www.invacare.be

Denmark:

Invacare A/S, Sdr. Ringvej 37, DK-2605 Brøndby
Tel: (45) (0)36 90 00 00, Fax: (45) (0)36 90 00 01
denmark@invacare.com / www.invacare.dk

Deutschland:

Invacare Aquatec GmbH, Alemannenstraße 10, D-88316 Isny
Tel: (49) (0)75 62 7 00 0, Fax: (49) (0)75 62 7 00 66
info@invacare-aquatec.com / www.invacare-aquatec.de

European Distributor Organisation:

Invacare, Kleiststraße 49, D-32457 Porta Westfalica
Tel: (49) (0)57 31 754 540, Fax: (49) (0)57 31 754 541
edo@invacare.com / www.invacare.eu.com

España:

Invacare SA, c/Areny s/n, Polígon Industrial de Celrà, E-17460 Celrà (Girona)
Tel: (34) (0)972 49 32 00, Fax: (34) (0)972 49 32 20
contactsp@invacare.com / www.invacare.es

France:

Invacare Poirier SAS, Route de St Roch, F-37230 Fondettes
Tel: (33) (0)2 47 62 64 66, Fax: (33) (0)2 47 42 12 24
contactfr@invacare.com / www.invacare.fr

Ireland:

Invacare Ireland Ltd, Unit 5 Seatown Business Campus, Seatown Road, Swords, County Dublin - Ireland
Tel: (353) 1 810 7084, Fax: (353) 1 810 7085
ireland@invacare.com / www.invacare.ie

Italia:

Invacare Mecc San s.r.l., Via dei Pini 62, I-36016 Thiene (VI)
Tel: (39) 0445 38 00 59, Fax: (39) 0445 38 00 34
italia@invacare.com / www.invacare.it

Nederland:

Invacare BV, Celsiusstraat 46, NL-6716 BZ Ede
Tel: (31) (0)318 695 757, Fax: (31) (0)318 695 758
nederland@invacare.com, csede@invacare.com / www.invacare.nl

Norge:

Invacare AS, Grensesvingen 9, Postboks 6230, Etterstad, N-0603 Oslo
Tel: (47) (0)22 57 95 00, Fax: (47) (0)22 57 95 01
norway@invacare.com, island@invacare.com / www.invacare.no

Österreich:

Invacare Austria GmbH, Herzog Odilostrasse 101, A-5310 Mondsee
Tel: (43) 6232 5535 0, Fax: (43) 6232 5535 4
info-austria@invacare.com / www.invacare.at

Portugal:

Invacare Lda, Rua Estrada Velha, 949, P-4465-784 Leça do Balio
Tel: (351) (0)225 1059 46/47, Fax: (351) (0)225 1057 39
portugal@invacare.com / www.invacare.pt

Sverige & Suomi:

Invacare AB, Fagerstagatan 9, S-163 91 Spånga
Tel: (46) (0)8 761 70 90, Fax: (46) (0)8 761 81 08
sweden@invacare.com, finland@invacare.com / www.invacare.se

Switzerland:

Invacare AG, Benkenstrasse 260, CH-4108 Witterswil
Tel: (41) (0)61 487 70 80, Fax: (41) (0)61 487 70 81
switzerland@invacare.com / www.invacare.ch

United Kingdom:

Invacare Limited, Pencoed Technology Park, Pencoed, Bridgend CF35 5AQ
Switchboard Tel: (44) (0)1656 776200, Fax: (44) (0)1656 776201
Customer services Tel: (44) (0)1656 776222, Fax: (44) (0)1656 776220
uk@invacare.com / www.invacare.co.uk