

# Spare Parts Catalogue

---

Version: 2015/04/09a EN



Invacare® *Action*<sup>2</sup> *NG*



**Yes, you can.®**

## **General Information**

*For any order of spare parts the following information is required:*

- Product type*
- Product name & model*
- Serial Number*
- Part-Number*
- Part-Description*

*Exploded view drawings and code numbers are not contractual and subject to modification, in relation to Invacare® continuous product improvement policy to meet end users needs.*

*The reproduction or use of this work, or of any substantial part of this work, in any form or by any electronic, mechanical or other means, including photocopying, scanning and recording, and in any information storage and retrieval system, including electronic transmission, is forbidden without the prior written permission of Invacare® International Sarl.*



Yes, you can.®

## TABLE OF CONTENTS

---

### Information

Abbreviations .....	7
---------------------	---

### Chassis

Chassis .....	8
Frames .....	9
Folding system .....	10

### Seat

Seat .....	11
Seat upholstery .....	12
Toilet seat .....	13

### Backrest

Backrest .....	14
Fixed 7° backrest .....	15
Fold down backrest steel .....	16
Fold down backrest steel/alu .....	17
Recliner backrest 0° To 30°, ratchet .....	18
Fixed backrest height adjustable push handle .....	19
Backrest upholstery open .....	20

### Legrests

Legrests .....	21
Hanger fixed 80° .....	22
Hanger fixed 80° =>2015.01.25 .....	23
Assembly legrest cplte Eco with footrest .....	24
Adjustable legrest hardware Eco .....	25
Assembly Legrest with footrest .....	26
Elevating legrest .....	27
Calf pad Eco .....	28
Calf pad .....	29
Amputee Legrest .....	30

### Footrests

Footrests .....	31
Footrest .....	32
Footrest Eco Action NG .....	33
Angle adjustable footrest =>2010.09.21 .....	34
Angle and depth adjustable footrest .....	35
Angle and depth adjustable footrest Eco .....	36

### Siderests

Siderests .....	37
Armrest n°1 - Removable and height adjustable .....	38
T Armrest n°1 (UK) - Removable and height adjustable .....	39
In-rigged for Armrest & T Armrest n°1 (UK) .....	40
Armrest n°2 - Swing Away & Detachable 2010.07.29=> .....	41



Yes, you can.®

## TABLE OF CONTENTS

---

Armpads raiser kit .....	42
<b>Front wheels</b>	
Front wheels .....	43
Fork with fixed support .....	44
Fork with fixed support 2014.06.23 => .....	45
Fork with adjustable support .....	46
Forks plastic =>2011.07.30 .....	47
Forks supports fixe .....	48
Forks supports adjustable .....	49
Front wheels for alu forks with support .....	50
Front wheels for plastics forks =>2011.07.30 .....	51
<b>Rear wheels</b>	
Rear wheels .....	52
24" standard wheels .....	53
24" Hub brake wheels .....	54
24" standard wheels accessories .....	55
Quick release axle dia 12 Action .....	56
Standard rear wheels support .....	57
12" transit wheels .....	58
Transit rear wheels support & push brakes SH48.5 .....	59
Transit rear wheels support & push brakes SH51 .....	60
<b>Brakes</b>	
Brakes .....	61
Push Brakes .....	62
Hub Brakes .....	63
Transit rear wheels support & push brakes SH48.5 .....	59
Transit rear wheels support & push brakes SH51 .....	60
<b>Safety options</b>	
Safety options .....	64
Belts .....	65
Rear anti-tipper .....	66
Reflectors .....	67
Transfer kit .....	68
Transportation attachment kit .....	69
<b>Seating options</b>	
Seating options .....	70
Headrest .....	71
Neckrest .....	72
Standard Headrest =>2011-06-30 .....	73
Cushions Nylon .....	74
Cushions Contour Visco .....	75
Heels strap .....	76
Back Brace standard + support .....	77



**Yes, you can.®**

## **TABLE OF CONTENTS**

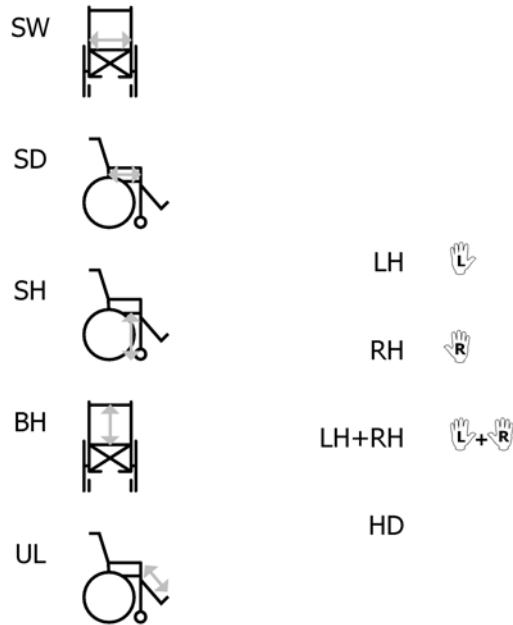
---

### **Others options & accessories**

Others options & accessories .....	78
Cane holder .....	79
Tipping aid Transit .....	80
Dripstand .....	81
Transparent tray .....	82



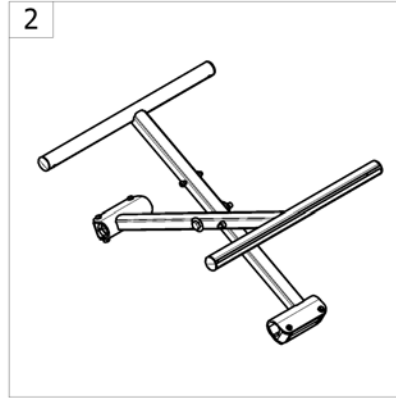
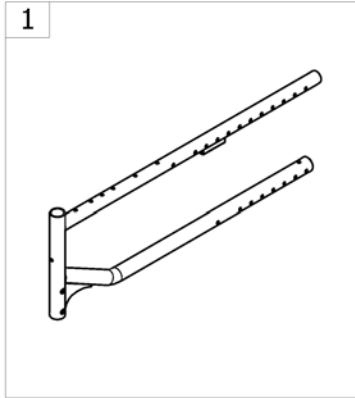
## Abbreviations



SPS133721

Pos.	Part number	Description	Valid from → until	Qty
-	SW	Seat width (2 digits in cm) (3 digits in mm)		1
-	SD	Seat depth (2 digits in cm) (3 digits in mm)		1
-	SH	Seat height (2 digits in cm) (3 digits in mm)		1
-	BH	Backrest height (2 digits in cm) (3 digits in mm)		1
-	UL	Knee-to-heel height (2 digits in cm) (3 digits in mm)		1
-	LH	Left side (sitting in the wheelchair)		1
-	RH	Right side (sitting in the wheelchair)		1
-	LH+RH	An assembly of a left and a right part, referred to as "pair"		1
-	HD	Heavy duty version		1

# Chassis

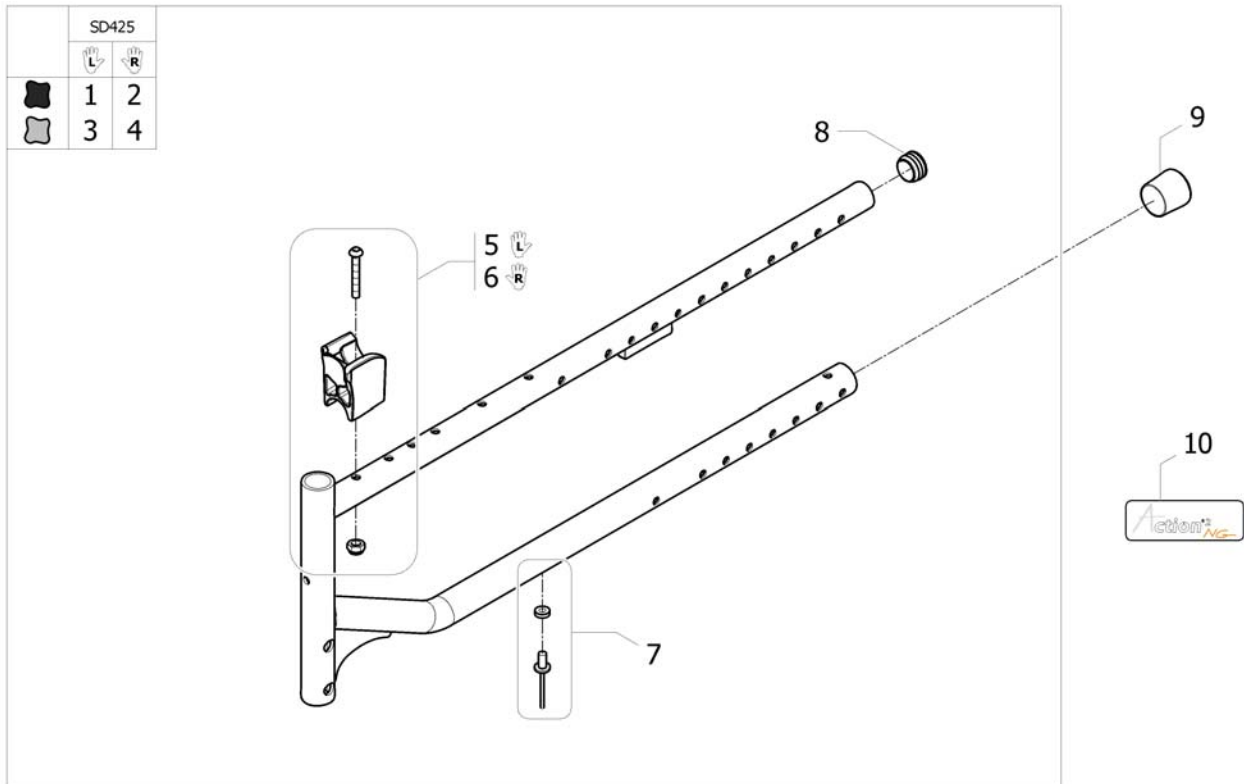


-<SPCACTION2NG10

Pos.	Part number	Description	Valid from → until	Qty
1	-	Frames		1
2	-	Folding system		1

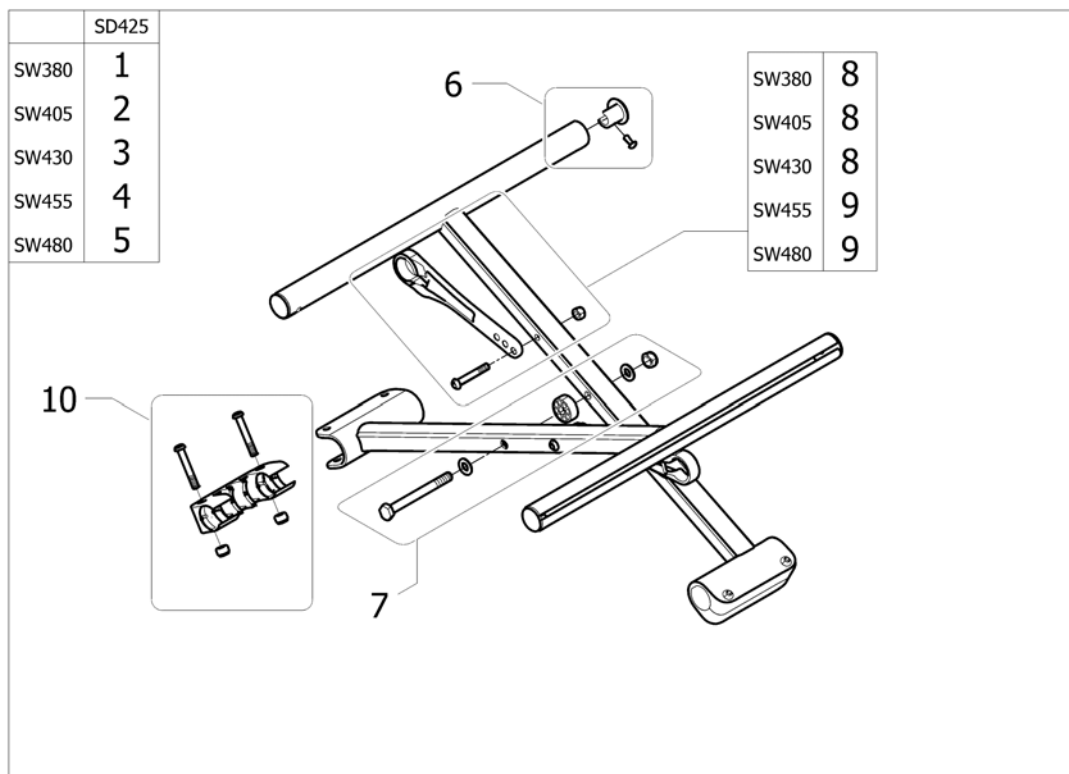


# Frames



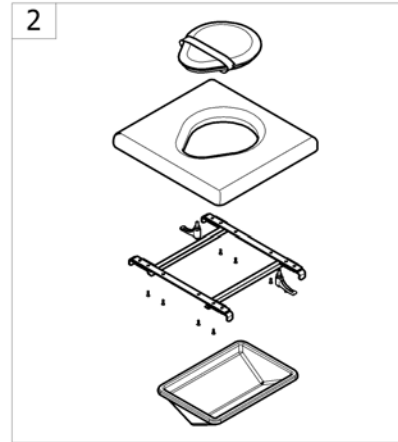
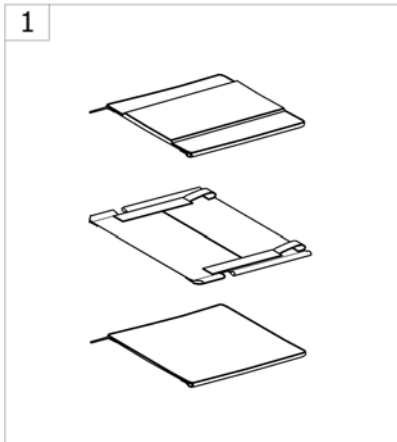
Pos.	Part number	Description	Valid from → until	Qty
1	1531482-0609	Side Frame Lh SD425 mm Anthracite Black		1
2	1531481-0609	Side Frame Rh SD425 mm Anthracite Black		1
3	1531482-0515	Side Frame Lh SD425 mm Pearl Grey		1
4	1531481-0515	Side Frame Rh SD425 mm Pearl Grey		1
5	1434128	Kit crossbar support clipable LH		1
6	1434127	Kit crossbar support clipable RH		1
7	1431304	Cross brace rivet & washer kit		2
8	1545553	End tube Ø22 reflector red <i>Replace 1418112</i>		2
9	5716276	UTV NDIG		2
10	1531492	Product name sticker Action2NG		2

# Folding system



Pos.	Part number	Description	Valid from → until	Qty
1	1530027	A2NG Cross Brace Complete Mechanism SW380 x SD425 mm		1
2	1530028	A2NG Cross Brace Complete Mechanism SW405 x SD425 mm		1
3	1530029	A2NG Cross Brace Complete Mechanism SW430 x SD425 mm		1
4	1530030	A2NG Cross Brace Complete Mechanism SW455 x SD425 mm		1
5	1530031	A2NG Cross Brace Complete Mechanism SW480 x SD425 mm		1
6	1431307	Seat end cap kit		4
7	1532556	Cross brace axle kit		1
8	1431306	Cross brace strut SW380-430 mm		2
9	1430872	Cross brace strut SW455-505 mm		2
10	1431305	Crossbrace sleeve		2

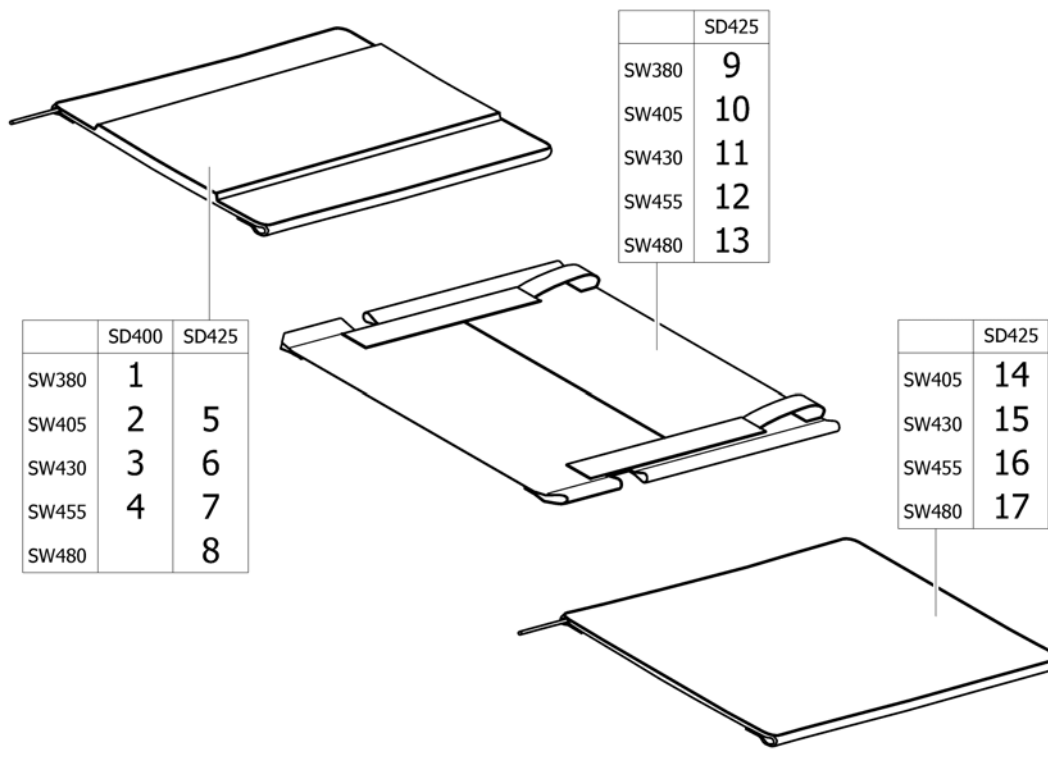
# Seat



<SPCACTION2NG20

Pos.	Part number	Description	Valid from → until	Qty
1	-	Seat upholstery		1
2	-	Toilet seat		1

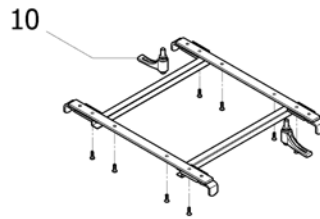
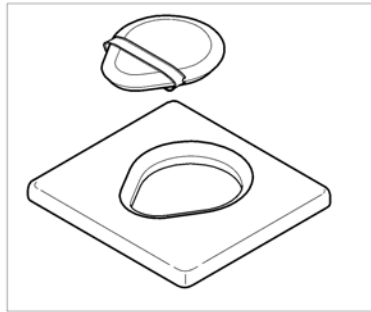
# Seat upholstery



Pos.	Part number	Description	Valid from → until	Qty
1	1531495	Padded seat upholstery SW380 x SD400 mm		1
2	1531496	Padded seat upholstery SW405 x SD400 mm		1
3	1531597	Padded seat upholstery SW430 x SD400 mm		1
4	1531598	Padded seat upholstery SW455 x SD400 mm		1
5	1531599	Padded seat upholstery SW405 x SD425 mm		1
6	1531631	Padded seat upholstery SW430 x SD425 mm		1
7	1531632	Padded seat upholstery SW455 x SD425 mm		1
8	1534900	Padded seat upholstery SW480 x SD425 mm		1
9	1553219	Adjustable Depth Seat Upholstery SW380 x SD400 to 450 mm <i>Replace 1534895</i>		1
10	1553220	Adjustable Depth Seat Upholstery SW405 x SD400 to 450 mm <i>Replace 1534896</i>		1
11	1553221	Adjustable Depth Seat Upholstery SW430 x SD400 to 450 mm <i>Replace 1534897</i>		1
12	1553222	Adjustable Depth Seat Upholstery SW455 x SD400 to 450 mm <i>Replace 1534898</i>		1
13	1553223	Adjustable Depth Seat Upholstery SW480 x SD400 to 450 mm <i>Replace 1534899</i>		1
14	1541938	Basic Seat Upholstery SW405 x SD400 mm		1
15	1541939	Basic Seat Upholstery SW430 x SD400 mm		1
16	1541940	Basic Seat Upholstery SW455 x SD400 mm		1
17	1541941	Basic Seat Upholstery SW480 x SD400 mm		1

# Toilet seat

	Action 3NG		Action 4NG		Action 1NG	Action 2NG
	SD400	SD450	SD400	SD450	SD400	SD400
SW380	1	4	1	-	-	1
SW405	1	4	1	-	1	1
SW430	2	-	2	-	2	2
SW455	2	-	2	-	2	2
SW480	3	-	3	-	3	3
SW505	3	-	-	-	3	-

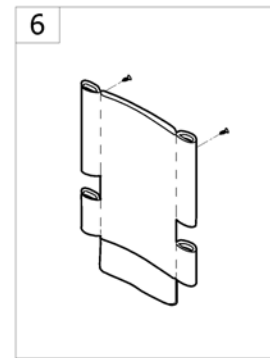
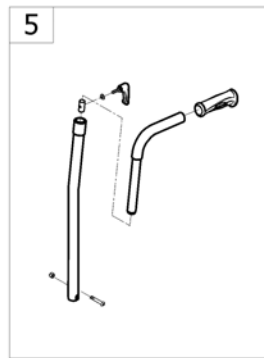
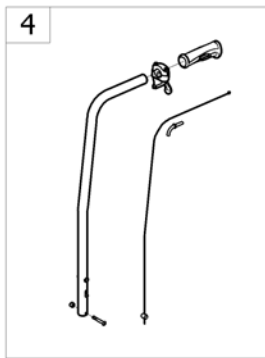


	Action 3NG		Action 4NG		Action 1NG	Action 2NG
	SD400	SD450	SD400	SD450	SD400	SD400
SW380	5	8	5	-	-	5
SW405	5	8	5	-	5	5
SW430	6	-	6	-	6	6
SW455	6	-	6	-	6	6
SW480	7	-	7	-	7	7
SW505	7	-	-	-	7	-

ISPS1548795

Pos.	Part number	Description	Valid from → until	Qty
1	AP1543295	Kit toilet seat Action NG SD400 x SW380-410 mm		1
2	AP1543296	Kit toilet seat Action NG SD400 x SW430-455 mm		1
3	AP1543297	Kit toilet seat Action NG SD400 x SW480-510 mm		1
4	AP1543298	Kit toilet seat Action NG SD450 x SW380-405 mm		1
5	1548372	Kit toilet seat cushions Action NG SD400 SW380-410 mm		1
6	1548373	Kit toilet seat cushions Action NG SD400 SW430-455 mm		1
7	1548374	Kit toilet seat cushions Action NG SD400 SW480-510 mm		1
8	1548375	Kit toilet seat cushions Action NG SD450 SW380-405 mm		1
9	1548378	Toilet seat bowl Action NG SD400 mm		1
10	0021-70002	Indexable lever 63mm M8x16		2

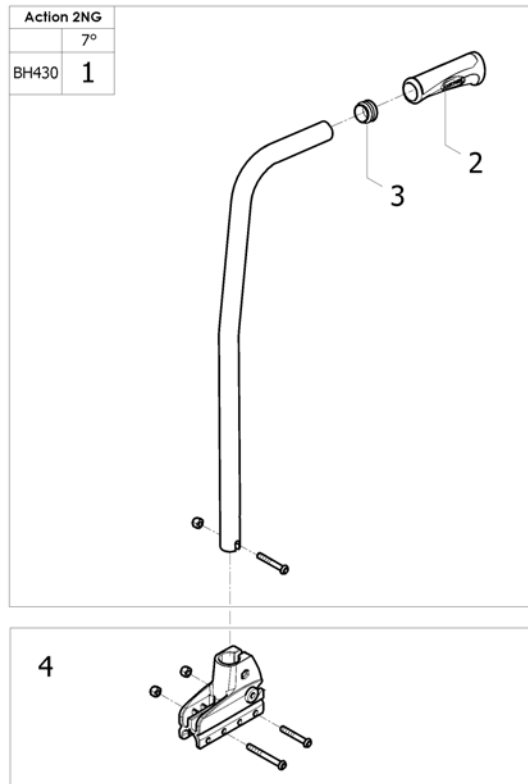
# Backrest



<SPCACTION2NG25

Pos.	Part number	Description	Valid from → until	Qty
1	-	Fixed 7° backrest		1
2	-	Fold down backrest steel		1
3	-	Fold down backrest steel/alu		1
4	-	Recliner backrest 0° To 30°, ratchet		1
5	-	Fixed backrest height adjustable push handle		2
6	-	Backrest upholstery open		1

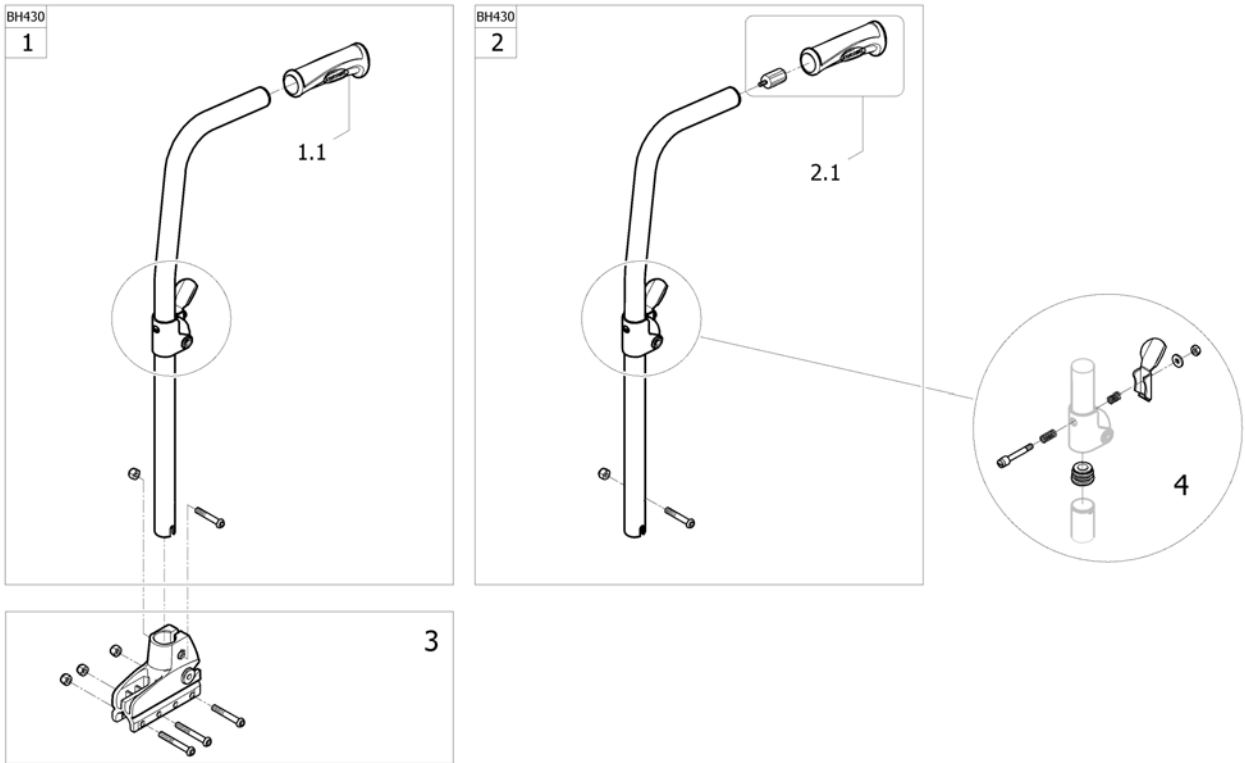
## Fixed 7° backrest



ISPS1581741

Pos.	Part number	Description	Valid from → until	Qty
1	1430846	Backrest tube fixed 7°/430 mm (Unité)		1
2	1425473	Handle Invacare for backrest Ø22mm		1
3	1418112	Crossbrace back cap Ø22x15mm		1
4	1430848	Fixed Backrest Support Kit		1

## Fold down backrest steel

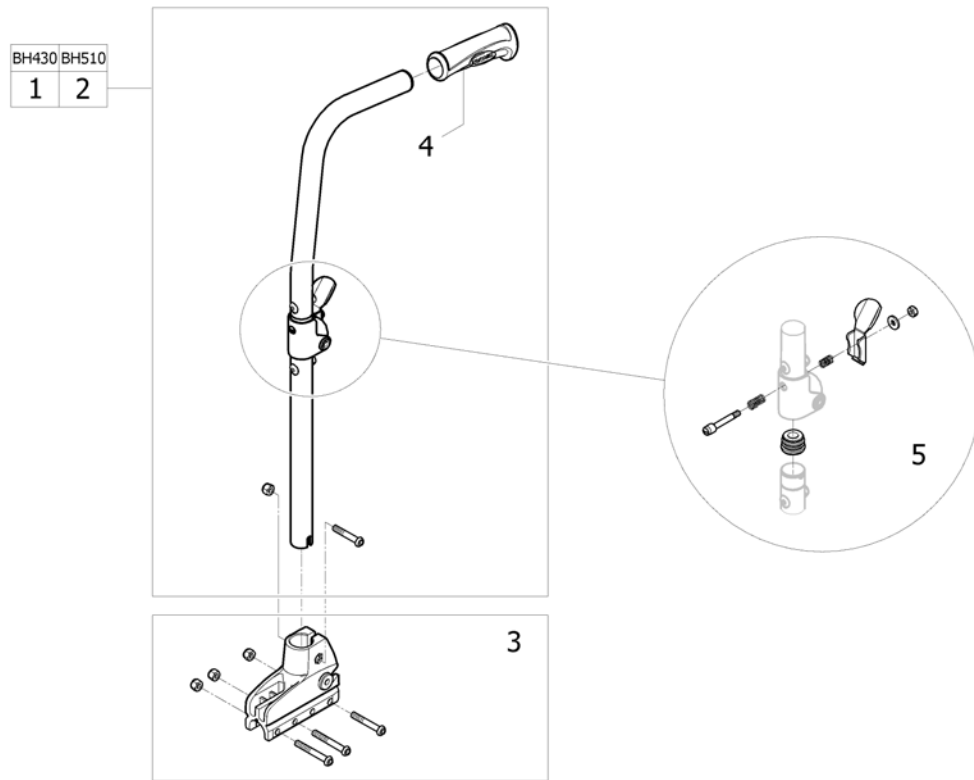


ISPS1532419 ~ sps1532419\_jl

Pos.	Part number	Description	Valid from → until	Qty
1	1548793	Kit folding backrest cane Steel BH430 mm <i>Replace 1531634</i>		2
1.1	1425473	Handle Invacare for backrest Ø22mm <i>Replace 1435421</i>		2
2	1556555	Kit folding backrest cane Steel BH430 for hub brake		2
2.1	1556552	Kit extention backrest post for hub brake		2
3	1534245	Fixed and fold down backrest support kit		2
4	1551064	Locking system for folding backrest	2011-07-01 →	2



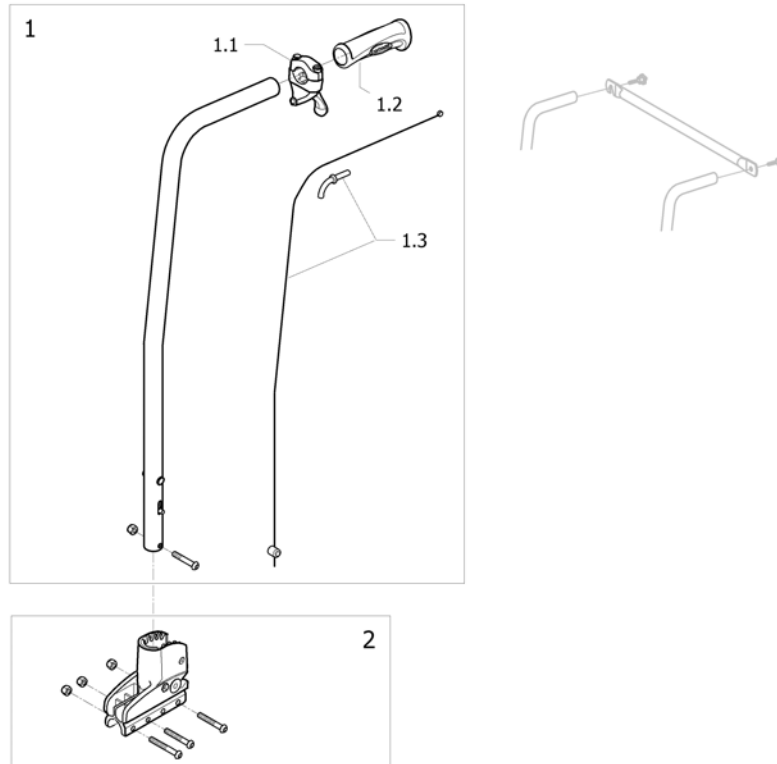
## Fold down backrest steel/alu



ISPS1545638 ~ sps1545638\_II

Pos.	Part number	Description	Valid from → until	Qty
1	1434492	Backrest tube Folding steel/alu BH 430 mm (Unité)	→ 2011-07-01	2
2	1430852	Backrest tube Folding steel/alu BH 510 mm (Unité)		2
3	1534245	Fixed and fold down backrest support kit		2
4	1425473	Handle Invacare for backrest Ø22mm <i>Replace 1435421</i>		2
5	1551064	Locking system for folding backrest	2013-07-01 →	2

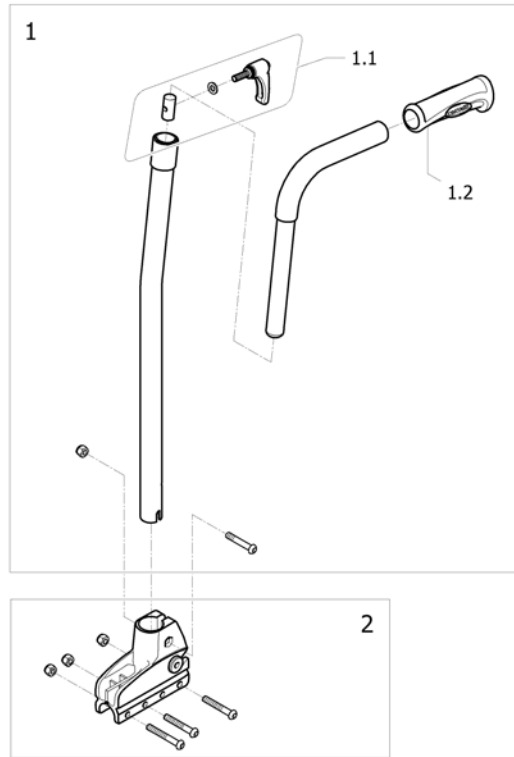
## Recliner backrest 0° To 30°, ratchet



ISPS1535042

Pos.	Part number	Description	Valid from → until	Qty
1	1434491	Backrest tube recliner ratchet 0° to 30° SH350-370-390-410-430 (Unite)		2
1.1	1433747	Recliner backrest trigger		2
1.2	1425473	Handle Invacare for backrest Ø22mm <i>Replace 1435421</i>		2
1.3	1430851	Recliner backrest cable Kit		2
2	1535041	Recliner backrest support kit		2

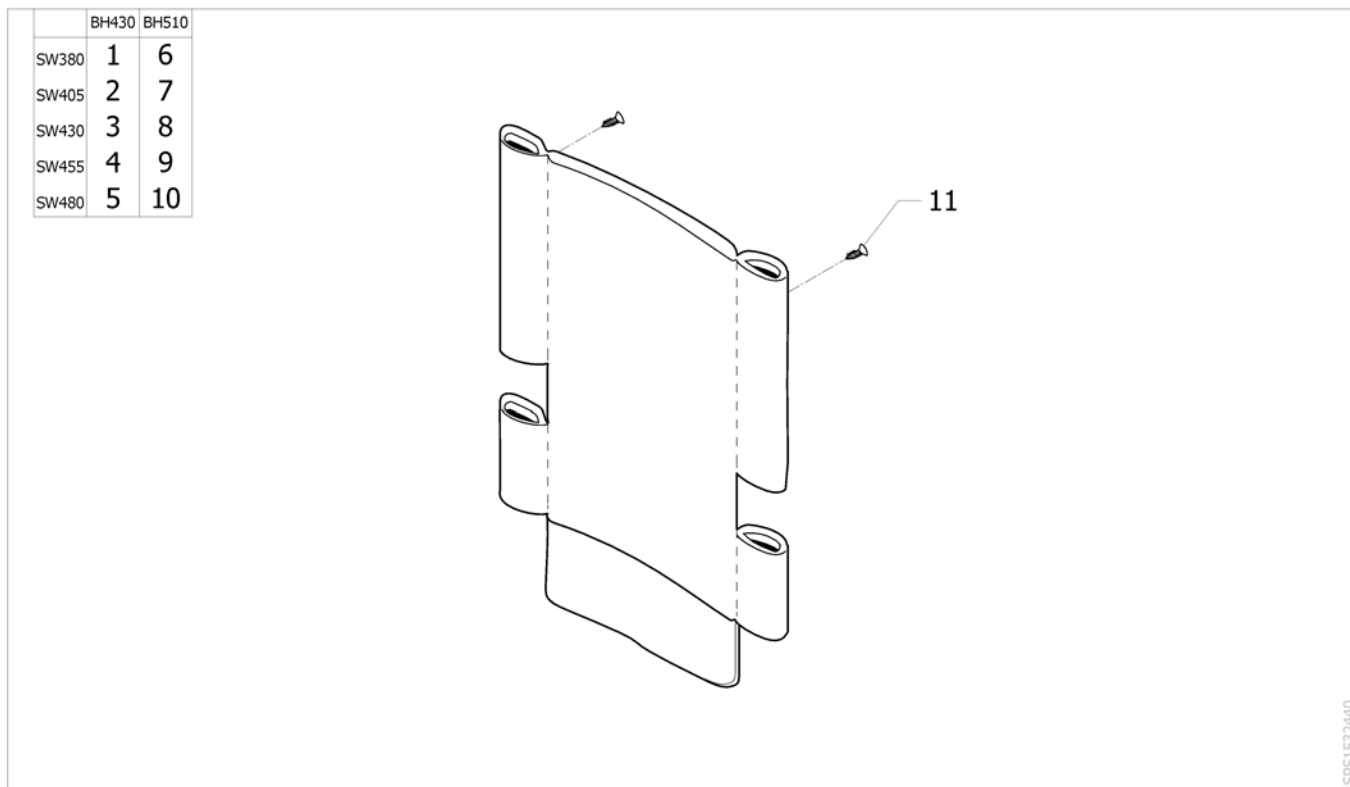
## Fixed backrest height adjustable push handle



ISPS1545305

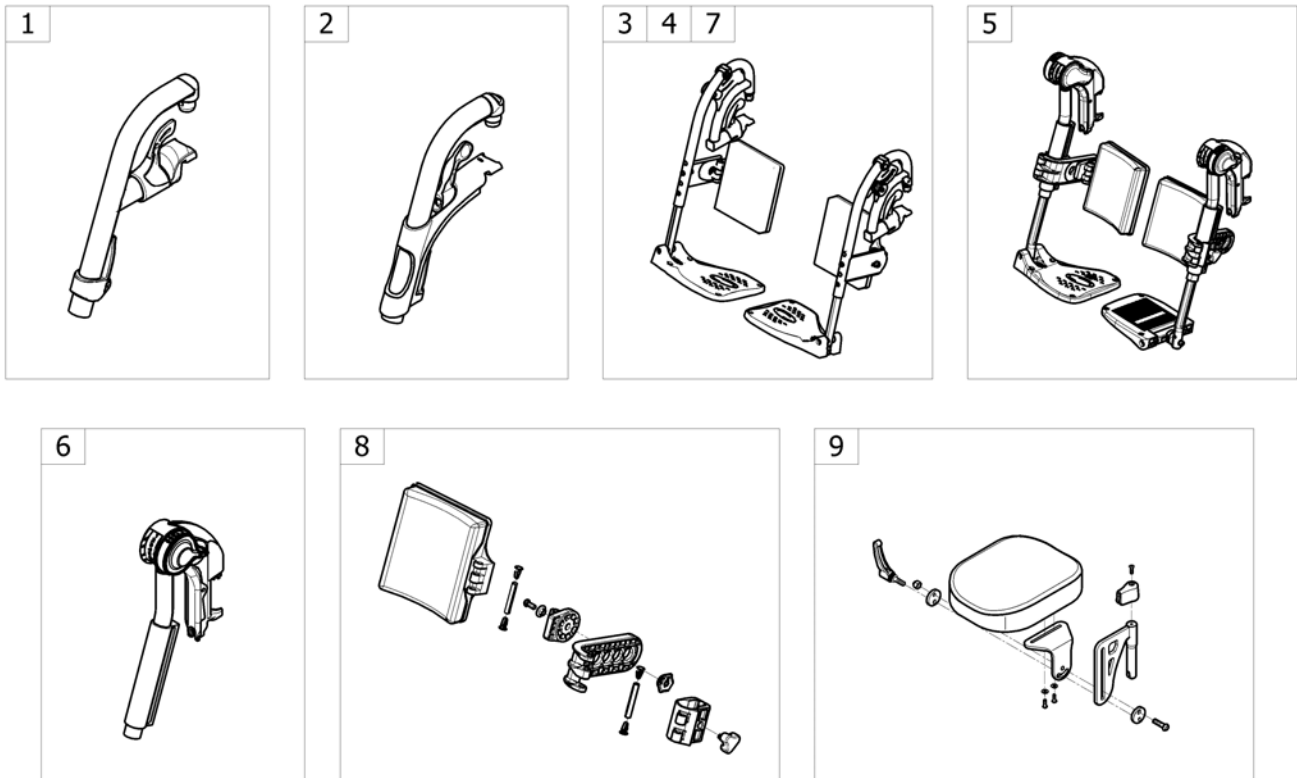
Pos.	Part number	Description	Valid from → until	Qty
1	1554587	Kit backrest cane fix and adjustable in height A2NG		2
1.1	1545310	Kit height adjustment adjustable backrest		2
1.2	1425473	Handle Invacare for backrest Ø22mm <i>Replace 1435421</i>		2
2	1534245	Fixed and fold down backrest support kit		2

## Backrest upholstery open



Pos.	Part number	Description	Valid from → until	Qty
1	1430291	Backrest upholstery open SW380 x BH430 mm		1
2	1430286	Backrest upholstery open SW405 x BH430 mm		1
3	1430287	Backrest upholstery open SW430 x BH430 mm		1
4	1430288	Backrest upholstery open SW455 x BH430 mm		1
5	1430289	Backrest upholstery open SW480 x BH430 mm		1
6	1428560	Backrest upholstery open SW380 x BH510 mm <i>Replace 1449971</i>		1
7	1428561	Backrest upholstery open SW405 x BH510 mm <i>Replace 1449972</i>		1
8	1428562	Backrest upholstery open SW430 x BH510 mm <i>Replace 1532620</i>		1
9	1428563	Backrest upholstery open SW455 x BH510 mm <i>Replace 1449974</i>		1
10	1428564	Backrest upholstery open SW480 x BH510 mm <i>Replace 1449975</i>		1
11	0029-40005	Nickel-plated Ø4,8x16 FBZ sheet-metal screw		2

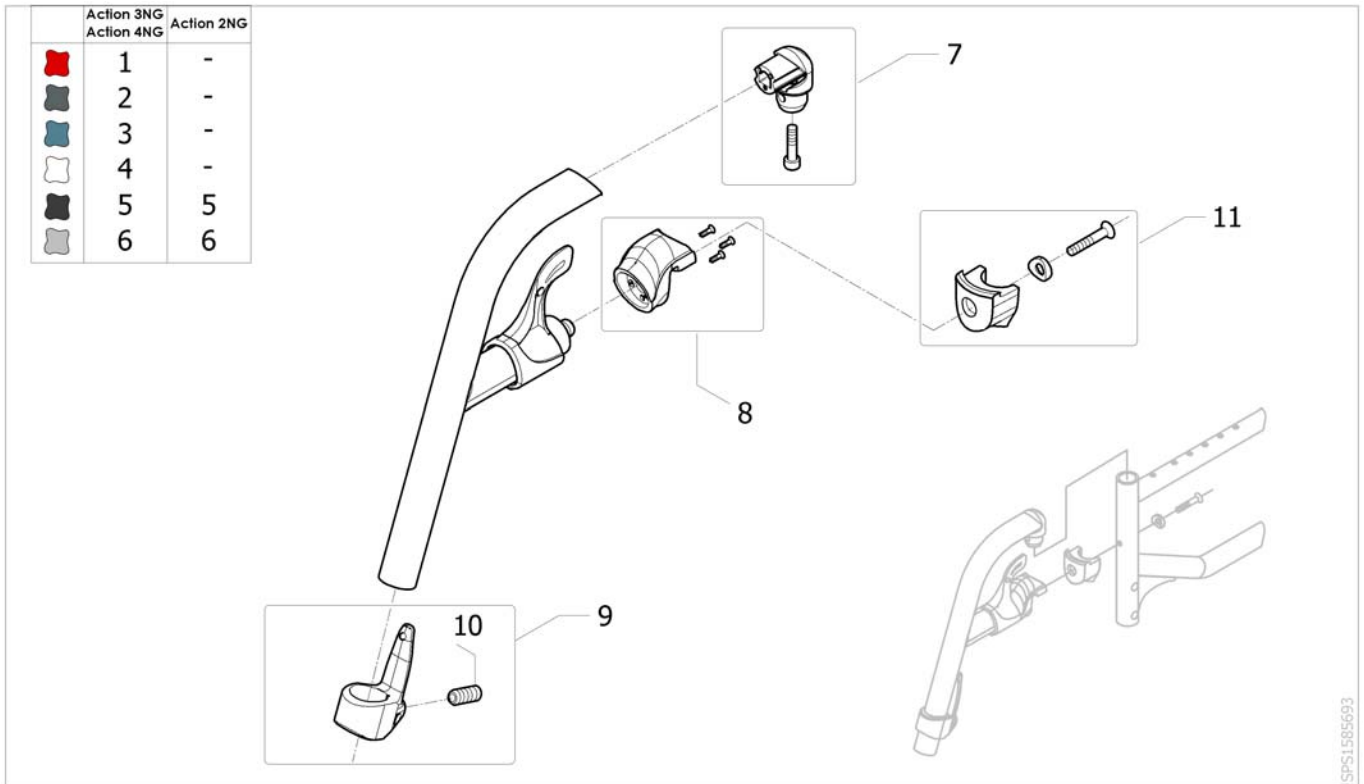
# Legrests



-<SPACTION2NG30

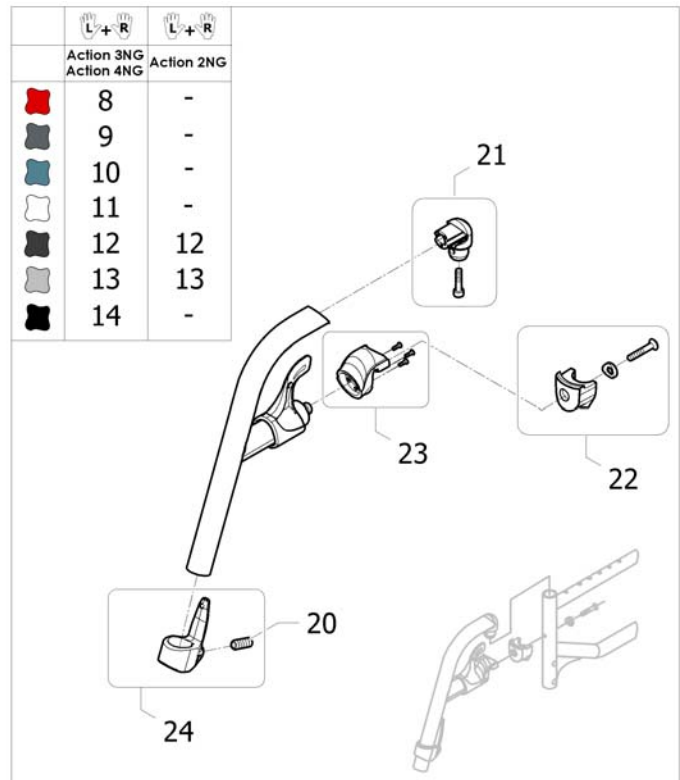
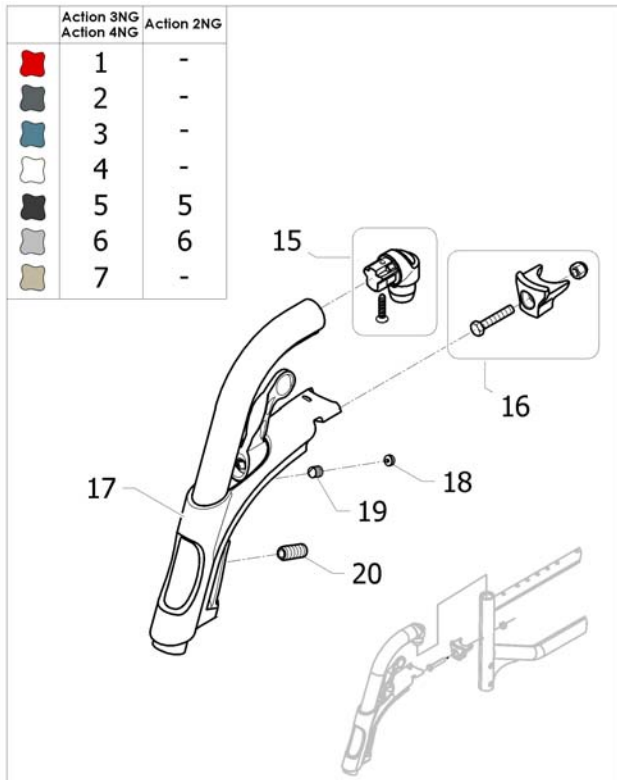
Pos.	Part number	Description	Valid from → until	Qty
1	-	Hanger fixed 80°	2015-01-26 →	1
2	-	Hanger fixed 80° =>2015.01.25	2015-01-26 →	1
3	-	Assembly legrest cplte Eco with footrest		1
4	-	Adjustable legrest hardware Eco		1
5	-	Assembly Legrest with footrest		1
6	-	Elevating legrest		1
7	-	Calf pad Eco		1
8	-	Calf pad		1
9	-	Amputee Legrest		1

# Hanger fixed 80°



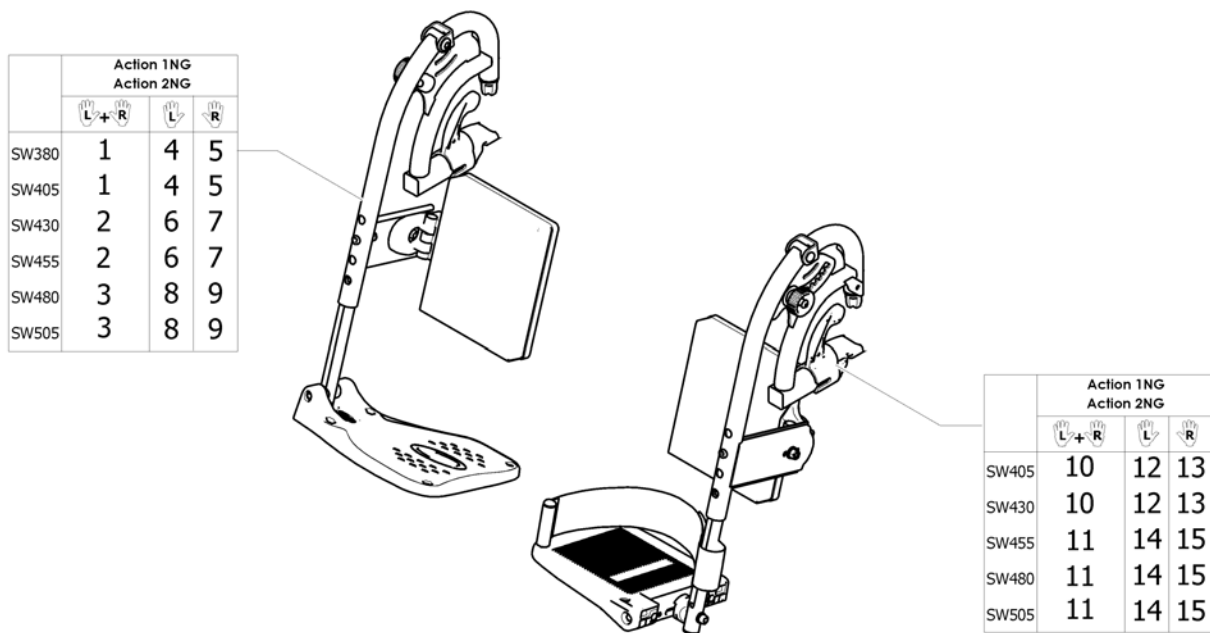
Pos.	Part number	Description	Valid from → until	Qty
1	SP1584369-0607	Hanger 80°, complete, Dark Red (2015)		2
2	SP1584369-0615	Footrest hanger 80° Salte Grey(2015 Version)		2
3	SP1584369-0617	Footrest hanger 80° Océan Blue(2015 Version)		2
4	SP1584369-0637	Hanger 80°, complete, Pearl White (2015)		2
5	SP1584369-0609	Hanger 80°, complete, Anthracite (2015)		2
6	SP1584369-0515	Hanger 80°, complete, Pearl Grey (2015)		2
7	SP1584381	Kit hanger pivot (2015)		2
8	SP1584383	Kit hanger locking nose (2015)		2
9	SP1584382	Calf strap holder + ball screw (2015)		2
10	1424571	Screw stop M10x23		2
11	SP1584380	Kit hanger locked (2015)		2

# Hanger fixed 80° =>2015.01.25



Pos.	Part number	Description	Valid from → until	Qty
1	1428622-0607	Footrest hanger 80° Dark Red		2
2	1428622-0615	Footrest hanger 80° Slate Grey		2
3	1428622-0617	Footrest hanger 80° Ocean Blue		2
4	1428622-0637	Footrest hanger 80° Pearl White		2
5	1428622-0609	Footrest hanger 80° Anthracite		2
6	1428622-0515	Footrest hanger 80° Pearl Grey		2
7	1428622-0616	Footrest hanger 80° Ice Brown	→ 2011-12-31	2
8	SP1584502-0607	Kit Footrest hanger 80° Dark Red Pair (2015 Version)	2015-01-26 →	1
9	SP1584502-0615	Kit Footrest hanger 80° Salte Grey Pair(2015 Version)	2015-01-26 →	1
10	SP1584502-0617	Kit Footrest hanger 80° Océan Blue Pair(2015 Version)	2015-01-26 →	1
11	SP1584502-0637	Kit Footrest hanger 80° Pearl White Pair(2015 Version)	2015-01-26 →	1
12	SP1584502-0609	Kit Footrest hanger 80° Anthracite Pair (2015 Version)	2015-01-26 →	1
13	SP1584502-0515	Kit Footrest hanger 80° Pearl Grey Pair(2015 Version)	2015-01-26 →	1
14	SP1584502-0601	Kit Footrest hanger 80° Black Pair(2015 Version)	2015-01-26 →	1
15	1430426	Hanger pivot kit		2
16	1430427	Kit hanger locked part		2
17	1434362	Hanger support complete (Alu Pin )		2
18	1434070	Key cap Key		2
19	1424572	Screw stop M10x12		2
20	1424571	Screw stop M10x23		2
21	SP1584381	Kit hanger pivot (2015)	2015-01-26 →	2
22	SP1584380	Kit hanger locked (2015)	2015-01-26 →	2
23	SP1584383	Kit hanger locking nose (2015)	2015-01-26 →	2
24	SP1584382	Calf strap holder + ball screw (2015)	2015-01-26 →	2

# Assembly legrest cplte Eco with footrest

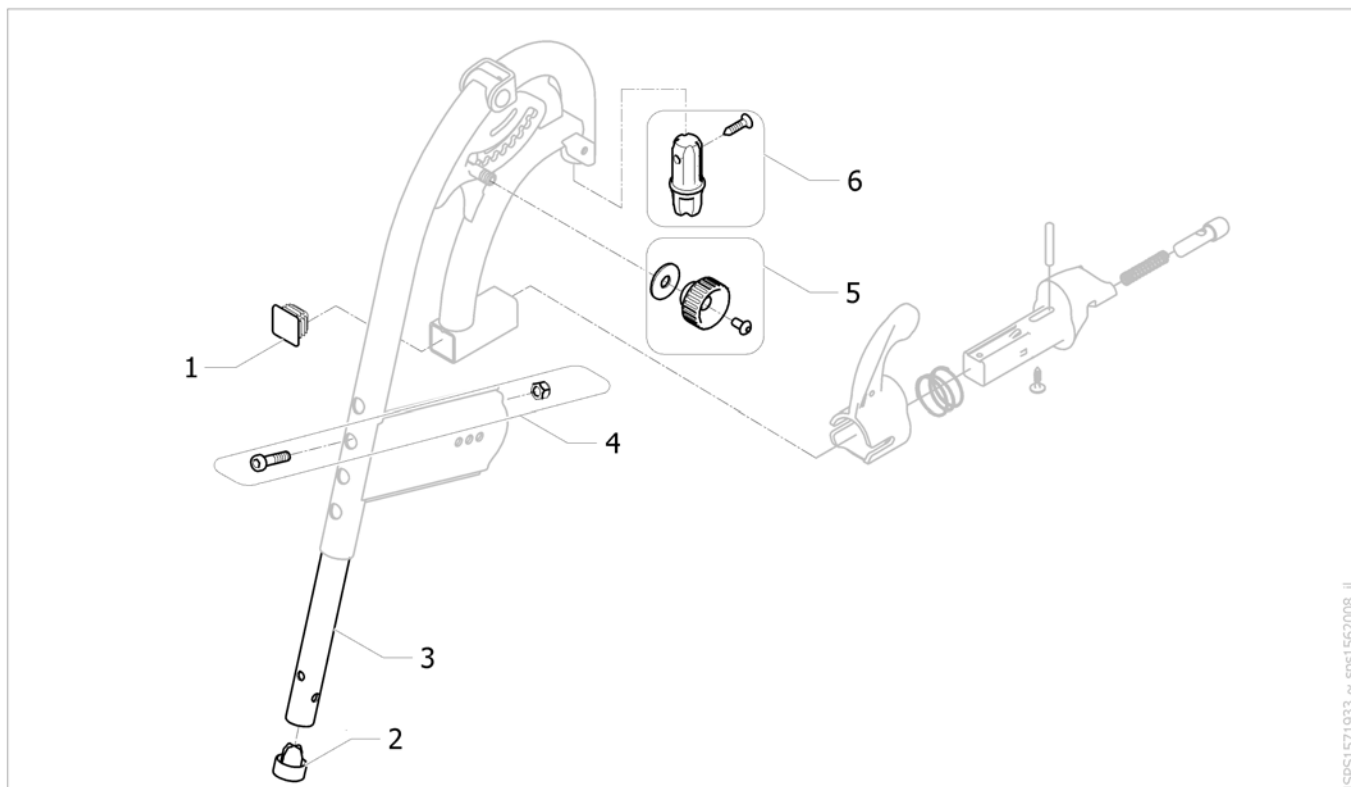


ISPS1571994 ~ sps1562008

Pos.	Part number	Description	Valid from → until	Qty
1	1562005	Pair of legrest Eco Fixed Footplate SW380/405 mm Action NG		1
2	1562006	Pair of legrest Eco Fixed Footplate SW430/455 mm Action NG		1
3	1562007	Pair of legrest Eco Fixed Footplate SW480/505 mm Action NG		1
4	1562008	Lh Elevating Legrest Eco Fixed Footplate SW380/405 mm Action NG		1
5	1562037	Rh Elevating Legrest Eco Fixed Footplate SW380/405 mm Action NG		1
6	1562038	Lh Elevating Legrest Eco Fixed Footplate SW430/455 mm Action NG		1
7	1562039	Rh Elevating Legrest Eco Fixed Footplate SW430/455 mm Action NG		1
8	1562040	Lh Elevating Legrest Eco Fixed Footplate SW480/505 mm Action NG		1
9	1562041	Rh Elevating Legrest Eco Fixed Footplate SW480/505 mm Action NG		1
10	1573661	Pair of legrest Eco Adjustable Footplate SW380/405 mm Action NG		1
11	1573692	Pair of legrest Eco Adjustable Footplate SW455/505 mm Action NG		1
12	1573705	Lh Elevating Legrest Eco Adjustable Footplate SW405/430 mm Action NG		1
13	1573706	Rh Elevating Legrest Eco Adjustable Footplate SW405/430 mm Action		1
14	1573707	Lh Elevating Legrest Eco Adjustable Footplate SW455/480/505 mm Action NG		1
15	1573723	Rh Elevating Legrest Eco Adjustable Footplate SW455/480/505 mm Action NG		1



## Adjustable legrest hardware Eco

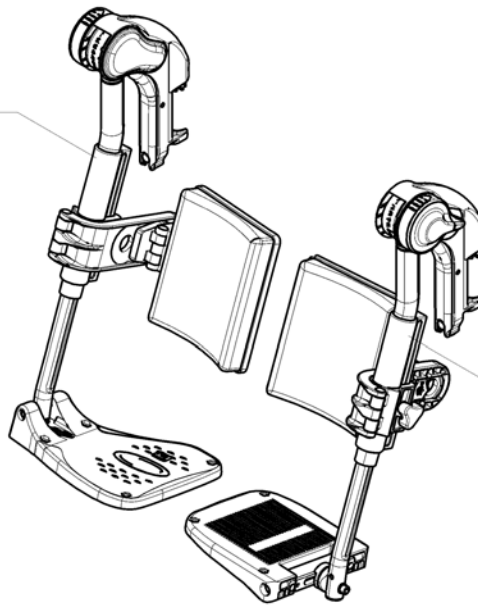


ISPS1571933 ~ sps1562008\_II

Pos.	Part number	Description	Valid from → until	Qty
1	1561944	Button black plastic square		2
2	1171163	Plastic cap black		2
3	1561037-0010	Tube for adjustable footrest Action NG		2
4	SP1547490	Kit hardware footrest/hanger Action 1 NG		2
5	1571934	Fixation kit legrest elavating legrest Action NG		2
6	1571935	Hanger pivot kit Action NG		2

# Assembly Legrest with footrest

	Action 2NG		Action 3NG		Action 4NG	
	L	R	L	R	L	R
SW380	1	2	1	2	1	2
SW405	1	2	1	2	1	2
SW430	3	4	3	4	3	4
SW455	5	6	5	6	5	6
SW480	7	8	7	8	7	8
SW505	-	-	7	8	7	8

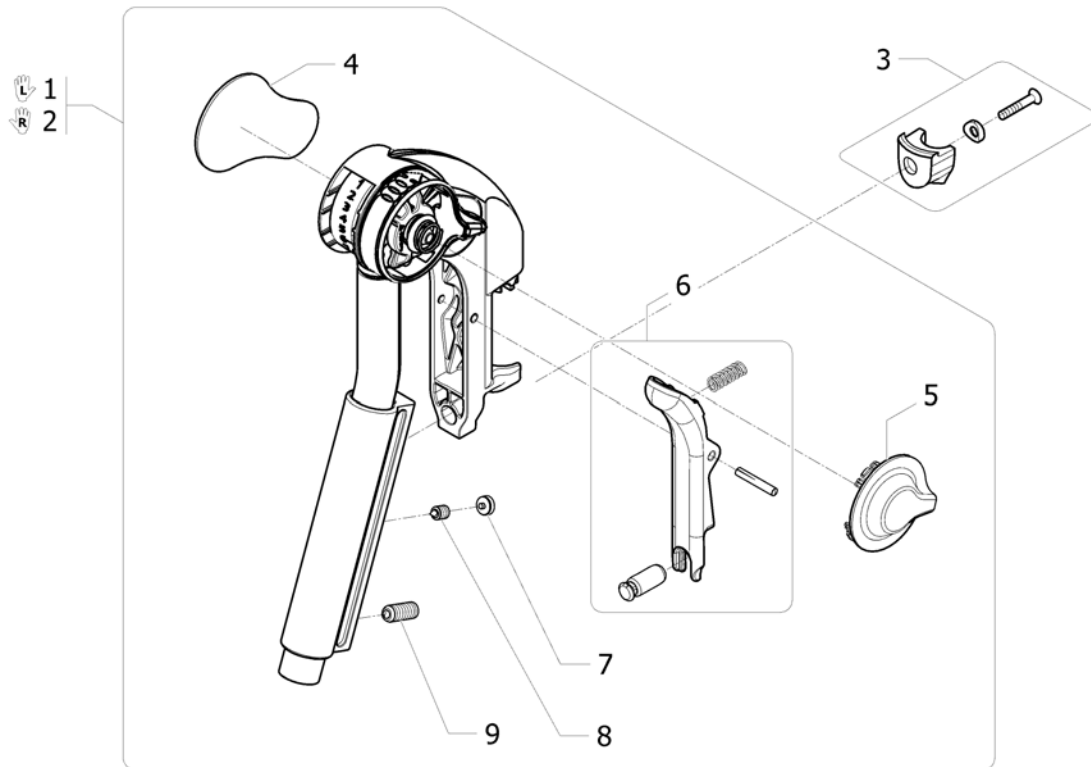


	Action 2NG		Action 3NG		Action 4NG	
	L	R	L	R	L	R
SW380	9	10	9	10	9	10
SW405	11	12	11	12	11	12
SW430	13	14	13	14	13	14
SW455	15	16	15	16	15	16
SW480	17	18	17	18	17	18
SW505	-	-	19	20	19	20
SW555	-	-	-	-	21	22
SW605	-	-	-	-	21	22

ISPS153570Z

Pos.	Part number	Description	Valid from → until	Qty
1	1432974	Lh Elevating Legrest + Fixed Footplate SW380/405 mm		1
2	1432973	Rh Elevating Legrest + Fixed Footplate SW380/405 mm		1
3	1432976	Lh Elevating Legrest + Fixed Footplate SW430 mm		1
4	1432975	Rh Elevating Legrest + Fixed Footplate SW430 mm		1
5	1432978	Lh Elevating Legrest + Fixed Footplate SW455 mm		1
6	1432977	Rh Elevating Legrest + Fixed Footplate SW455 mm		1
8	1432979	Rh Elevating Legrest + Fixed Footplate SW480/505 mm		1
7	1432980	Lh Elevating Legrest + Fixed Footplate SW480/505 mm		1
9	1432982	Lh Elevating Legrest + Adjustable Footplate SW380 mm		1
10	1432981	Rh Elevating Legrest + Adjustable Footplate SW380 mm		1
11	1432984	Lh Elevating Legrest + Adjustable Footplate SW405 mm		1
12	1432983	Rh Elevating Legrest + Adjustable Footplate SW405 mm		1
13	1432986	Lh Elevating Legrest + Adjustable Footplate SW430 mm		1
14	1432985	Rh Elevating Legrest + Adjustable Footplate SW430 mm		1
15	1432948	Lh Elevating Legrest + Adjustable Footplate SW455 mm		1
16	1432947	Rh Elevating Legrest + Adjustable Footplate SW455 mm		1
17	1432964	Lh Elevating Legrest + Adjustable Footplate SW480 mm		1
18	1432949	Rh Elevating Legrest + Adjustable Footplate SW480 mm		1
19	1432971	Lh Elevating Legrest + Adjustable Footplate SW505 mm		1
20	1432965	Rh Elevating Legrest + Adjustable Footplate SW505 mm		1
21	1533603	Lh Elevating Legrest heavy + Adjustable Footplate SW555/605 mm		1
22	1533602	Rh Elevating Legrest heavy + Adjustable Footplate SW555/605 mm		1

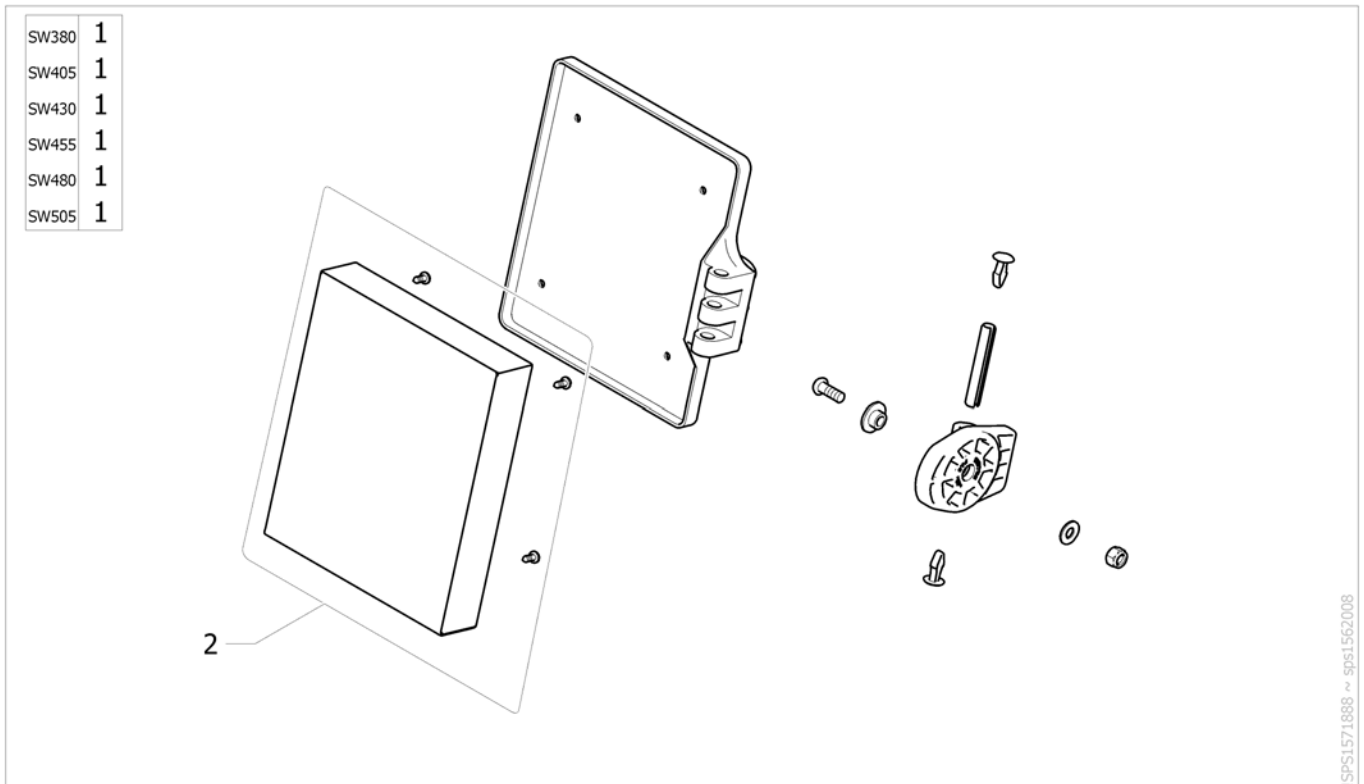
## Elevating legrest



ISPS1535382

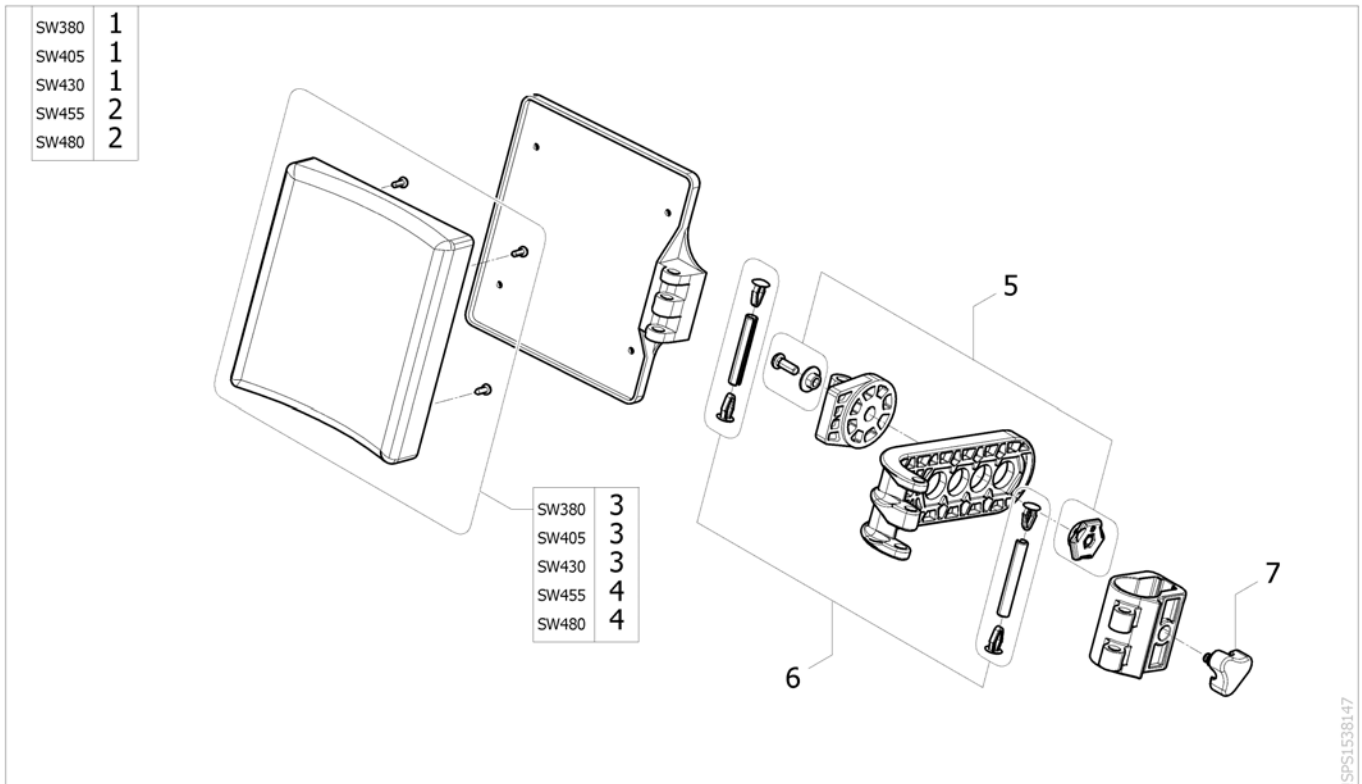
Pos.	Part number	Description	Valid from → until	Qty
1	1552881	Elevating legrest Lh + fixation <i>Replace 1508945</i>		1
2	1552882	Elevating legrest Rh + fixation <i>Replace 1508948</i>		1
3	SP1584380	Kit hanger locked (2015) <i>Replace 1430427</i>		2
4	1428336	Kneepad		2
5	1508943	Incline adjustment lever		2
6	1430429	Legrest Trigger Kit		2
7	1435741	Footrest Hanger Plug		2
8	1424572	Screw stop M10x12		2
9	1424571	Screw stop M10x23		2

# Calf pad Eco



Pos.	Part number	Description	Valid from → until	Qty
1	1563177	Complete calf pad Eco (cushion with support) SW380/505 mm		2
2	1571851	Calf pad Eco cushion with fixation SW380/505 mm		2

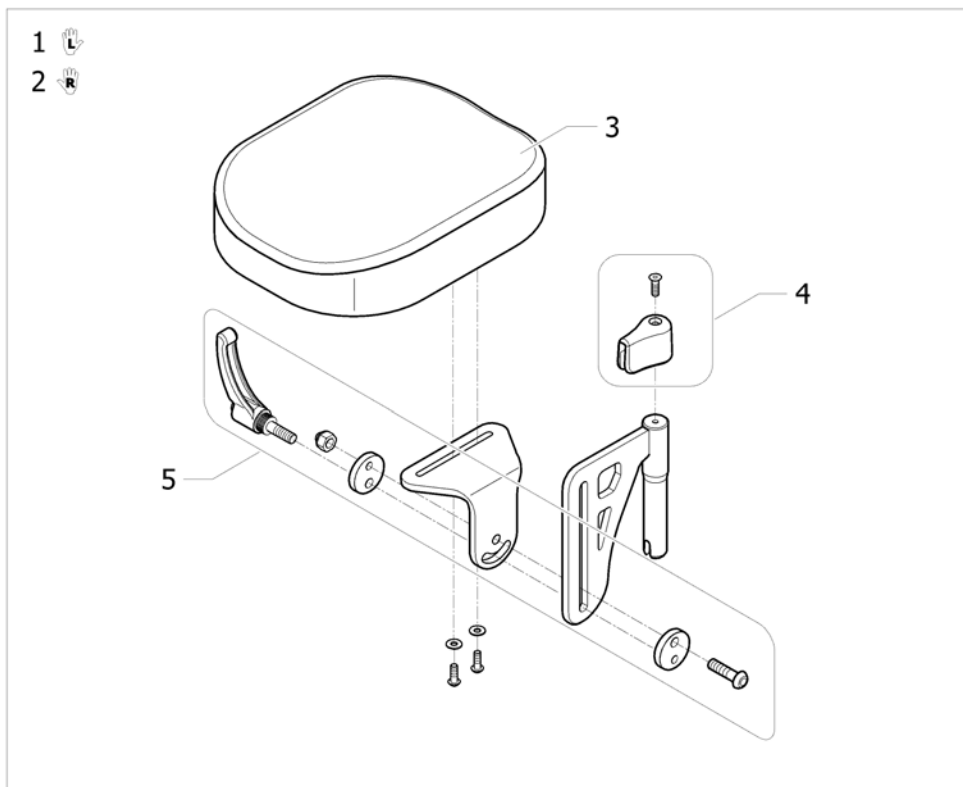
# Calf pad



ISPS1538147

Pos.	Part number	Description	Valid from → until	Qty
1	1450932	Complete Polyurethane calf pad (cushion with support), SW380/405/430 mm		2
2	1450933	Complete Polyurethane calf pad (cushion with support), SW455/480/505 mm		2
3	1430430	Polyurethane calf pad cushion with fixation SW380/405/430 mm		2
4	1430431	Polyurethane calf pad cushion with fixation SW450/480/505 mm		2
5	1440132	Kit fixation angle adjustable calf-pad		2
6	1430432	Kit articulation pin calf pad		2
7	1440943	Locking star knob		2

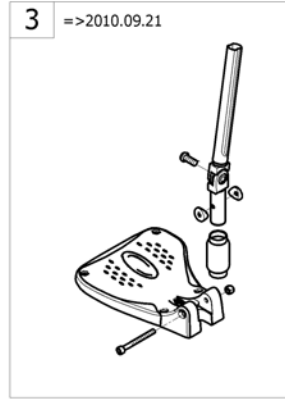
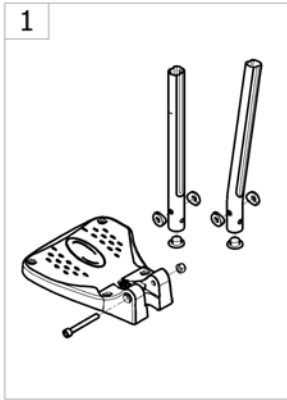
# Amputee Legrest



ISP51495897

Pos.	Part number	Description	Valid from → until	Qty
1	1442991	Support Lh, legrest amputee		1
2	1442990	Support Rh, legrest amputee		1
3	1497450	Cushion amputee legrest		2
4	1446556	Amputee legrest stop + fixation		2
5	1446557	Amputee legrest slide fixation		2
6	SP1584380	Kit hanger locked (2015) <i>Replace 1430427</i>		2

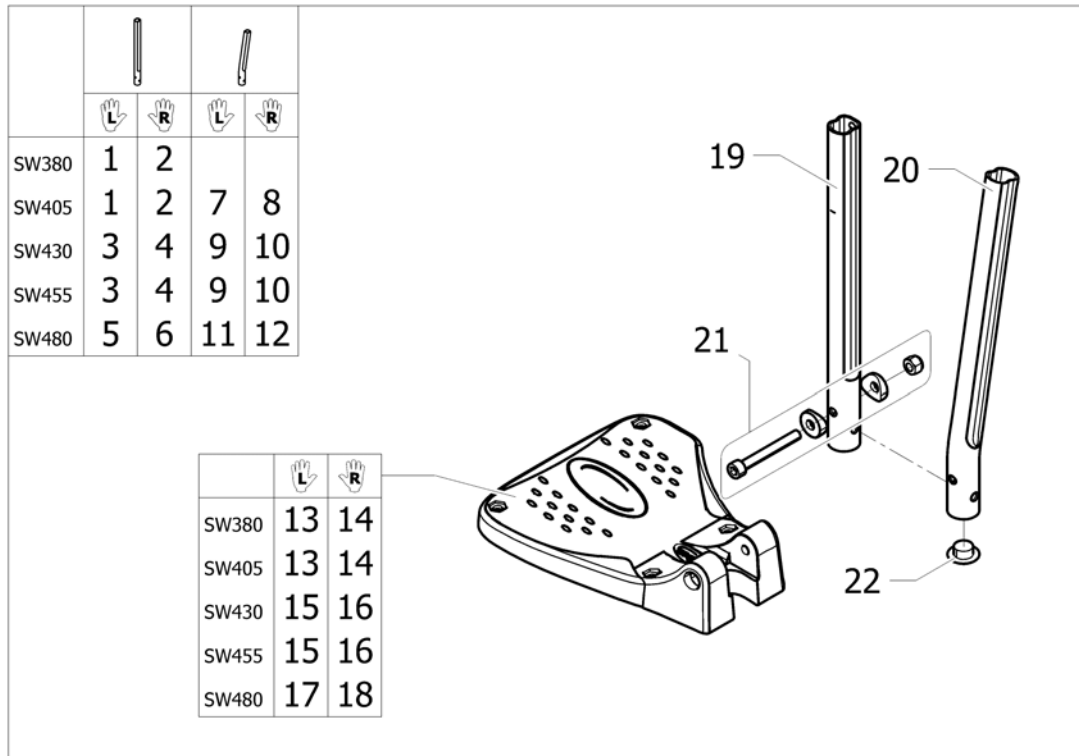
# Footrests



-<SPCACTION2NG35

Pos.	Part number	Description	Valid from → until	Qty
1	-	Footrest	→ 2010-09-21	1
2	-	Footrest Eco Action NG		1
3	-	Angle adjustable footrest =>2010.09.21		1
4	-	Angle and depth adjustable footrest		1
5	-	Angle and depth adjustable footrest Eco		1

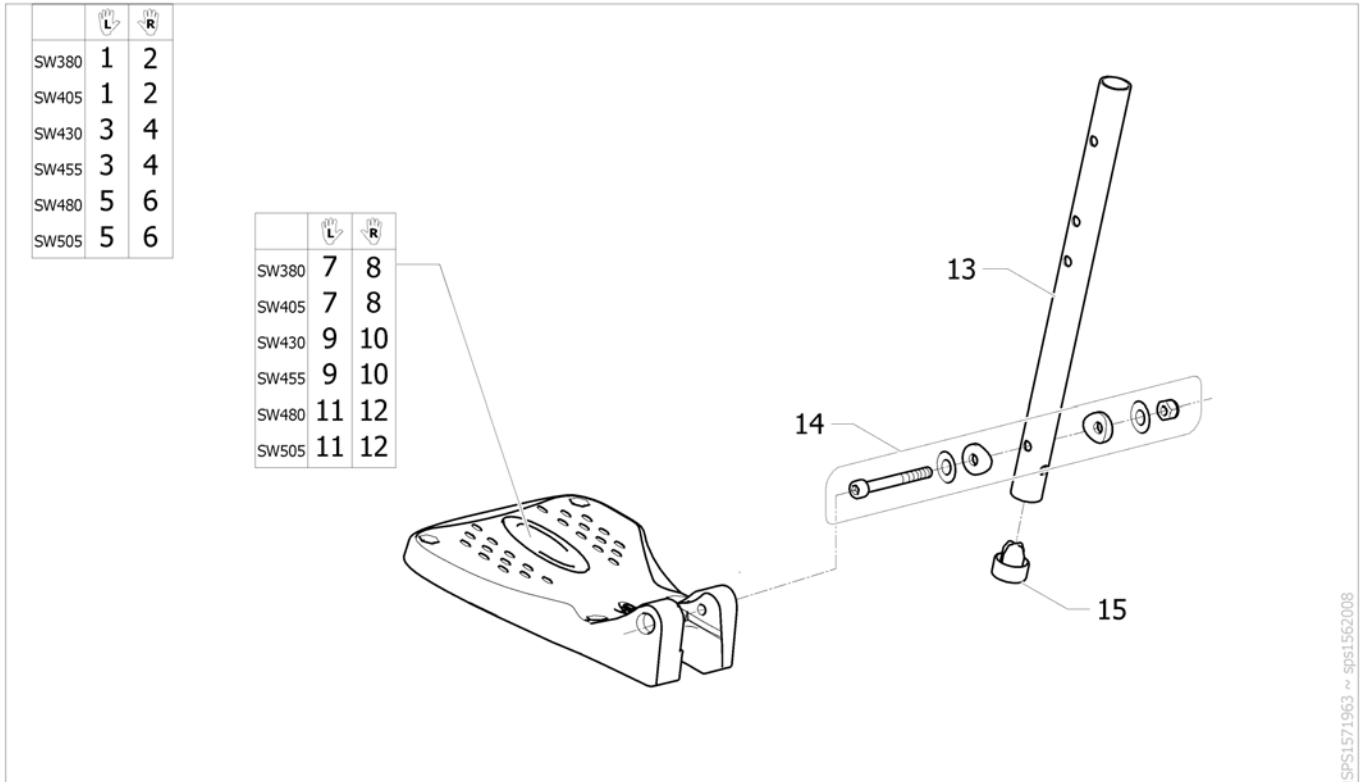
# Footrest



ISPS1532422

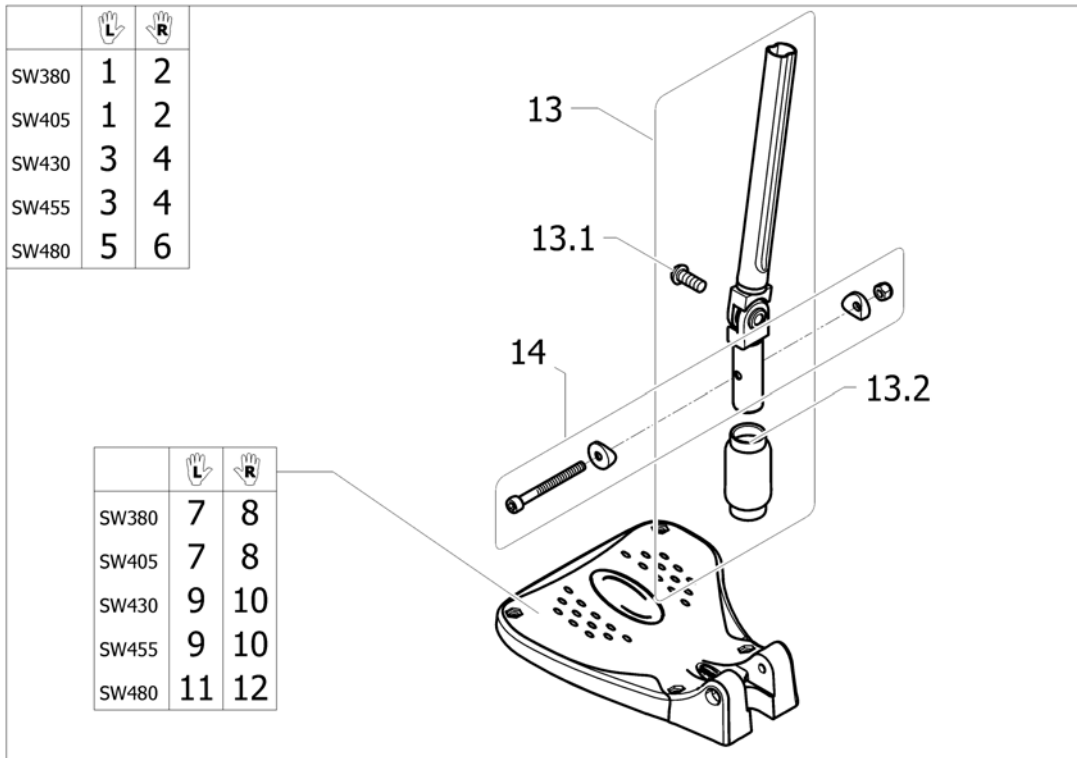
Pos.	Part number	Description	Valid from → until	Qty
1	1535018	Kit footrest fixed short & straight tube SW380/405 Lh	→ 2011-12-31	1
2	1535019	Kit footrest fixed short & straight tube SW380/405 Rh	→ 2011-12-31	1
3	1535020	Kit footrest fixed short & straight tube SW430/455 Lh	→ 2011-12-31	1
4	1535021	Kit footrest fixed short & straight tube SW430/455 Rh	→ 2011-12-31	1
5	1535022	Kit footrest fixed short & straight tube SW480/505 Lh	→ 2011-12-31	1
6	1535023	Kit footrest fixed short & straight tube SW480/505 Rh	→ 2011-12-31	1
7	1530620	Footrest fixed, Lh, SW380-405mm, standard tube, swing away frame		1
8	1530614	Footrest fixed, Rh, SW380-405mm, standard tube, swing away frame		1
9	1530622	Footrest fixed, Lh, SW430-455mm, standard tube, swing away frame		1
10	1530616	Footrest fixed, Rh, SW430-455mm, standard tube, swing away frame		1
11	1530623	Footrest fixed, Lh, SW480-505mm, standard tube, swing away frame		1
12	1530617	Footrest fixed, Rh, SW480-505mm, standard tube, swing away frame		1
13	1529643	Footplate, fixed, Lh, 174mm (V2009)		1
14	1529642	Footplate, fixed, Rh, 174mm (V2009)		1
15	1529645	Footplate, fixed, Lh, 199mm (V2009)		1
16	1529644	Footplate, fixed, Rh, 199mm (V2009)		1
17	1529647	Footplate, fixed, Lh, 224mm (V2009)		1
18	1529646	Footplate, fixed, Rh, 224mm (V2009)		1
19	1440034	Short straight footrest tube 150 mm	→ 2011-12-31	2
20	1558855-0010	Standard footrest tube for a&d adjustable footrest		2
21	1430433	Kit screws for fixed footrest		2
22	1424576	Plastic cap black Ø20mm		2





Pos.	Part number	Description	Valid from → until	Qty
1	1571852	Kit footrest fixed Eco SW380/405 mm Lh		1
2	1571853	Kit footrest fixed Eco SW380/405 mm Rh		1
3	1571854	Kit footrest fixed Eco SW430/455 mm Lh		1
4	1571855	Kit footrest fixed Eco SW430/455 mm Rh		1
5	1571856	Kit footrest fixed Eco SW480/505 mm Lh		1
6	1571857	Kit footrest fixed Eco SW480/505 mm Rh		1
7	1529643	Footplate, fixed, Lh, 174mm (V2009)		1
8	1529642	Footplate, fixed, Rh, 174mm (V2009)		1
9	1529645	Footplate, fixed, Lh, 199mm (V2009)		1
10	1529644	Footplate, fixed, Rh, 199mm (V2009)		1
11	1529647	Footplate, fixed, Lh, 224mm (V2009)		1
12	1529646	Footplate, fixed, Rh, 224mm (V2009)		1
13	1561037-0010	Tube for adjustable footrest Action NG		2
14	1430433	Kit screws for fixed footrest		2
15	1171163	Plastic cap black		2

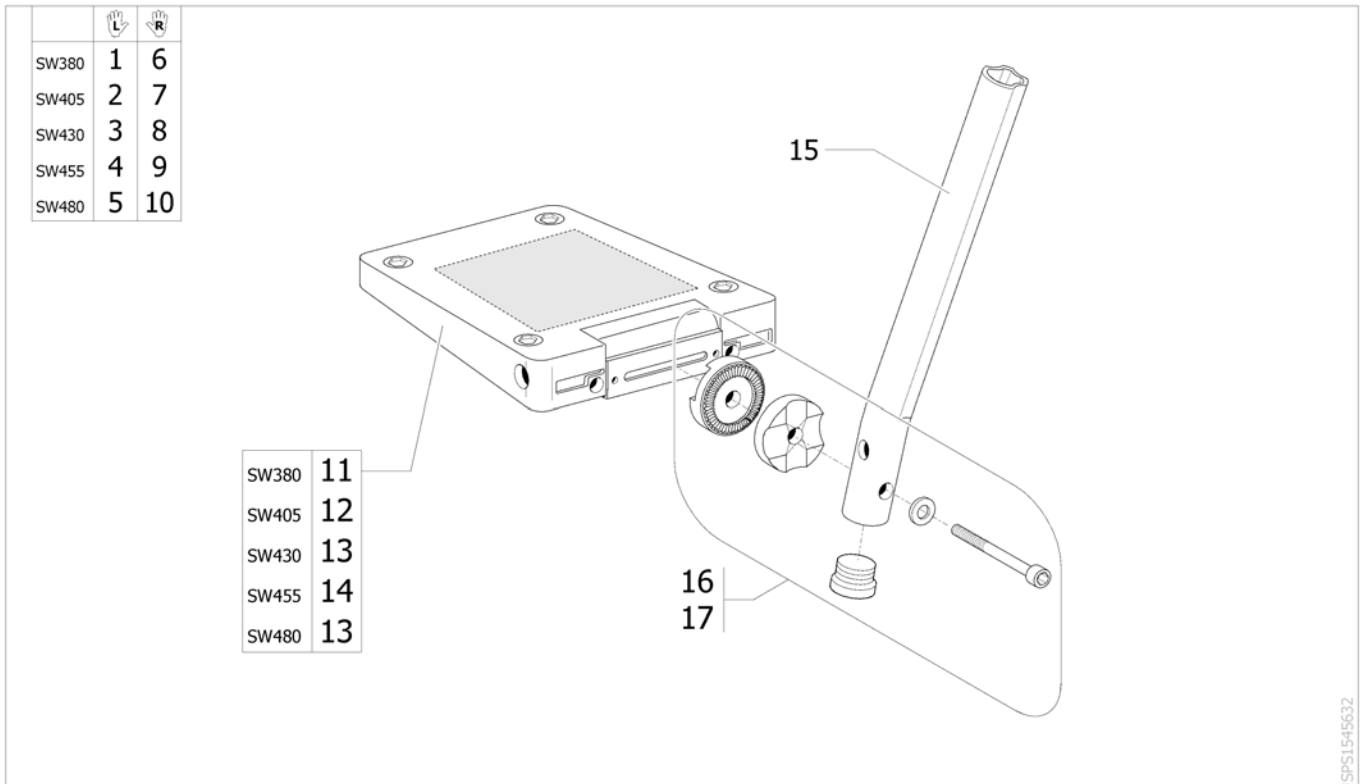
# Angle adjustable footrest =>2010.09.21



ISPS1538159

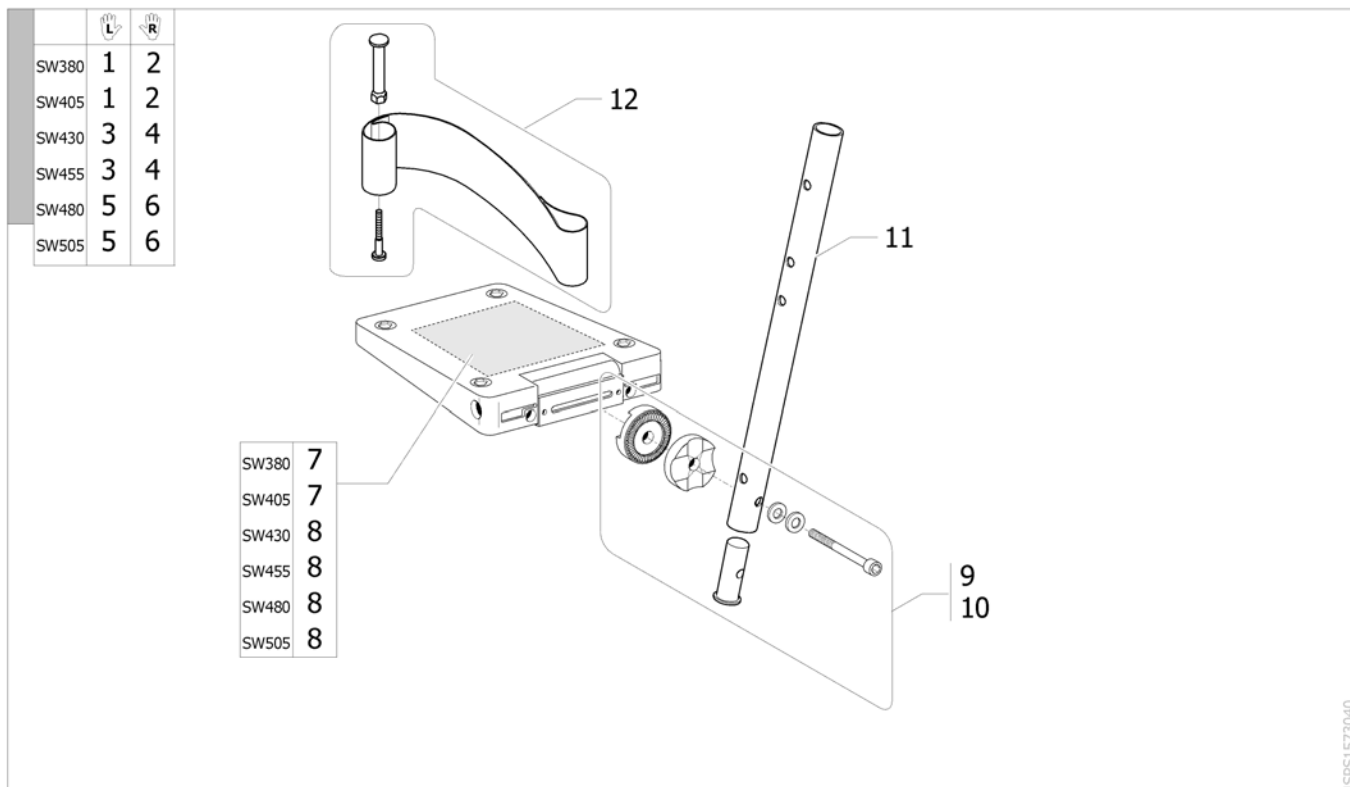
Pos.	Part number	Description	Valid from → until	Qty
1	1530640	Lh Adjustable Footrest SW380/405 mm	→ 2010-09-21	1
2	1530637	Rh Adjustable Footrest SW380/405 mm	→ 2010-09-21	1
3	1530641	Lh Adjustable Footrest SW430/455 mm	→ 2010-09-21	1
4	1530638	Rh Adjustable Footrest SW430/455 mm	→ 2010-09-21	1
5	1530642	Lh Adjustable Footrest SW480/505 mm	→ 2010-09-21	1
6	1530639	Rh Adjustable Footrest SW480/505 mm	→ 2010-09-21	1
7	1529643	Footplate, fixed, Lh, 174mm (V2009)	→ 2010-09-21	1
8	1529642	Footplate, fixed, Rh, 174mm (V2009)	→ 2010-09-21	1
9	1529645	Footplate, fixed, Lh, 199mm (V2009)	→ 2010-09-21	1
10	1529644	Footplate, fixed, Rh, 199mm (V2009)	→ 2010-09-21	1
11	1529647	Footplate, fixed, Lh, 224mm (V2009)	→ 2010-09-21	1
12	1529646	Footplate, fixed, Rh, 224mm (V2009)	→ 2010-09-21	1
13	1485167	Short Footrest Tube	→ 2010-09-21	2
13.1	0029-40046	Screw CBHC M8X20	→ 2010-09-21	2
13.2	1485944	Adjustable Footrest Sleeve	→ 2010-09-21	2
14	1430433	Kit screws for fixed footrest	→ 2010-09-21	2

## Angle and depth adjustable footrest



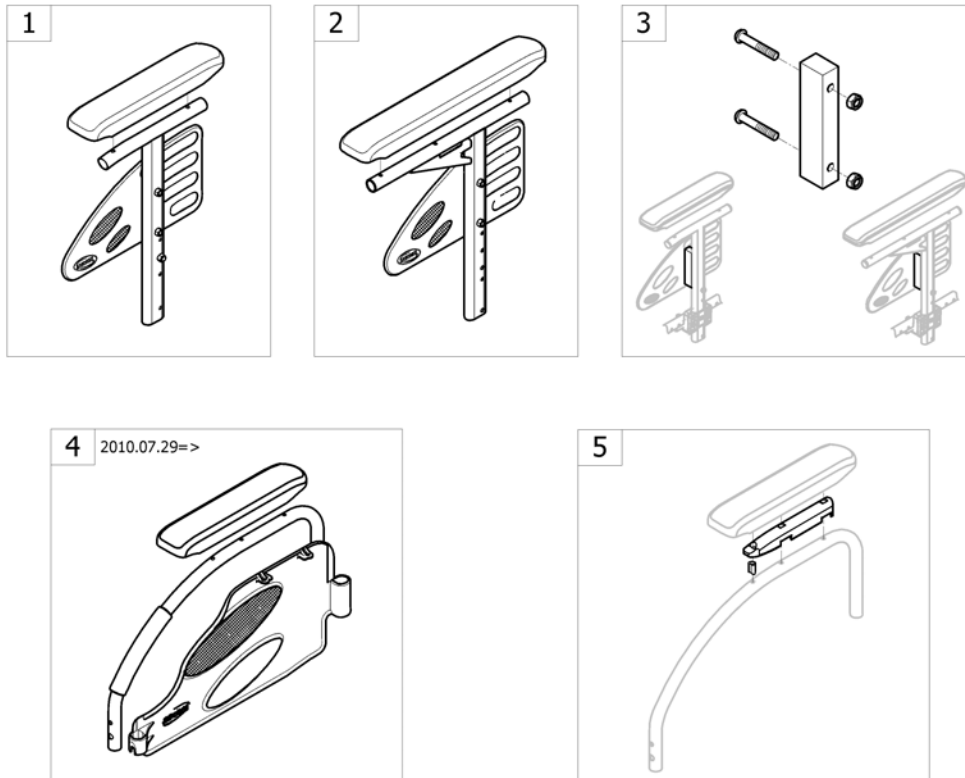
Pos.	Part number	Description	Valid from → until	Qty
1	1428657	Footrest a&d adjustable, Lh, SW380mm, standard tube, swing away frame		1
2	1428658	Footrest a&d adjustable, Lh, SW405mm, standard tube, swing away frame		1
3	1428659	Footrest a&d adjustable, Lh, SW430mm, standard tube, swing away frame		1
4	1428660	Footrest a&d adjustable, Lh, SW455mm, standard tube, swing away frame		1
5	1428661	Footrest a&d adjustable, Lh, SW480mm, standard tube, swing away frame		1
6	1428651	Footrest a&d adjustable, Rh, SW380mm, standard tube, swing away frame		1
7	1428652	Footrest a&d adjustable, Rh, SW405mm, standard tube, swing away frame		1
8	1428653	Footrest a&d adjustable, Rh, SW430mm, standard tube, swing away frame		1
9	1428654	Footrest a&d adjustable, Rh, SW455mm, standard tube, swing away frame		1
10	1428655	Footrest a&d adjustable, Rh, SW480mm, standard tube, swing away frame		1
11	5106374	Footplate, angle and depth adjustable, 141 mm		2
12	5106375	Footplate, angle and depth adjustable, 156 mm		2
13	5106594	Footplate, angle and depth adjustable, 166 mm		2
14	5106376	Footplate, angle and depth adjustable, 176 mm		2
15	1558855-0010	Standard footrest tube for a&d adjustable footrest		2
16	1430839	Kit fixation, adjustable footplate, short spacer		2
17	1430840	Kit fixation, adjustable footplate, long spacer		2

# Angle and depth adjustable footrest Eco



Pos.	Part number	Description	Valid from → until	Qty
1	1572065	Lh angle and depth adjustable footrest (SW380-405 mm)Action Eco		1
2	1572066	Rh angle and depth adjustable footrest (SW380-405 mm)Action Eco		1
3	1572067	Lh angle and depth adjustable footrest (SW430-455 mm)Action Eco		1
4	1572068	Rh angle and depth adjustable footrest (SW430-455 mm)Action Eco		1
5	1572069	Lh angle and depth adjustable footrest (SW480-505 mm)Action Eco		1
6	1572070	Rh angle and depth adjustable footrest (SW480-505 mm)Action Eco		1
7	5106374	Footplate, angle and depth adjustable, 141 mm		2
8	5106594	Footplate, angle and depth adjustable, 166 mm		2
9	1573190	Footrest screws kit SW380-405/430-455mm Eco Action NG		2
10	1573191	Footrest screws kit SW480-505mm Eco Action NG		2
11	1561037-0010	Tube for adjustable footrest Action NG		2
12	1492315	Kit heelstrap, adjustable, medium		2

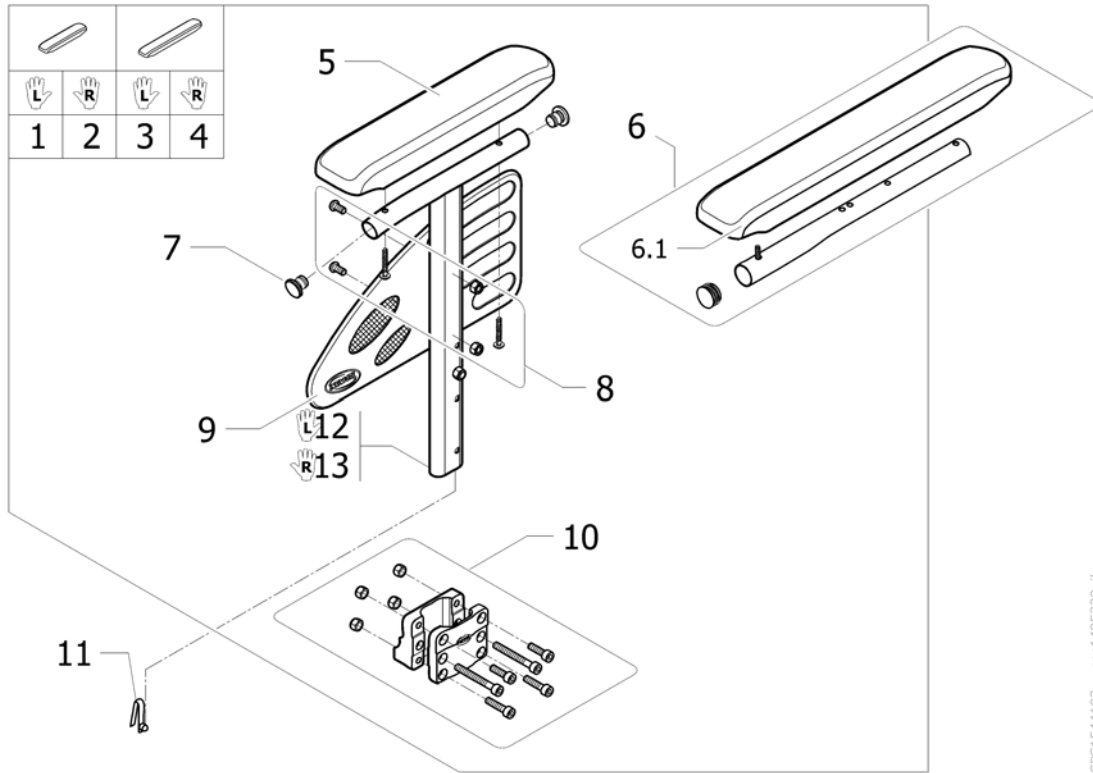
## Siderests



ISPCACTION2NG40

Pos.	Part number	Description	Valid from → until	Qty
1	-	Armrest n°1 - Removable and height adjustable		1
2	-	T Armrest n°1 (UK) - Removable and height adjustable		1
3	-	In-rigged for Armrest & T Armrest n°1 (UK)		1
4	-	Armrest n°2 - Swing Away & Detachable 2010.07.29=>	2010-07-29 →	1
5	-	Armpads raiser kit		1

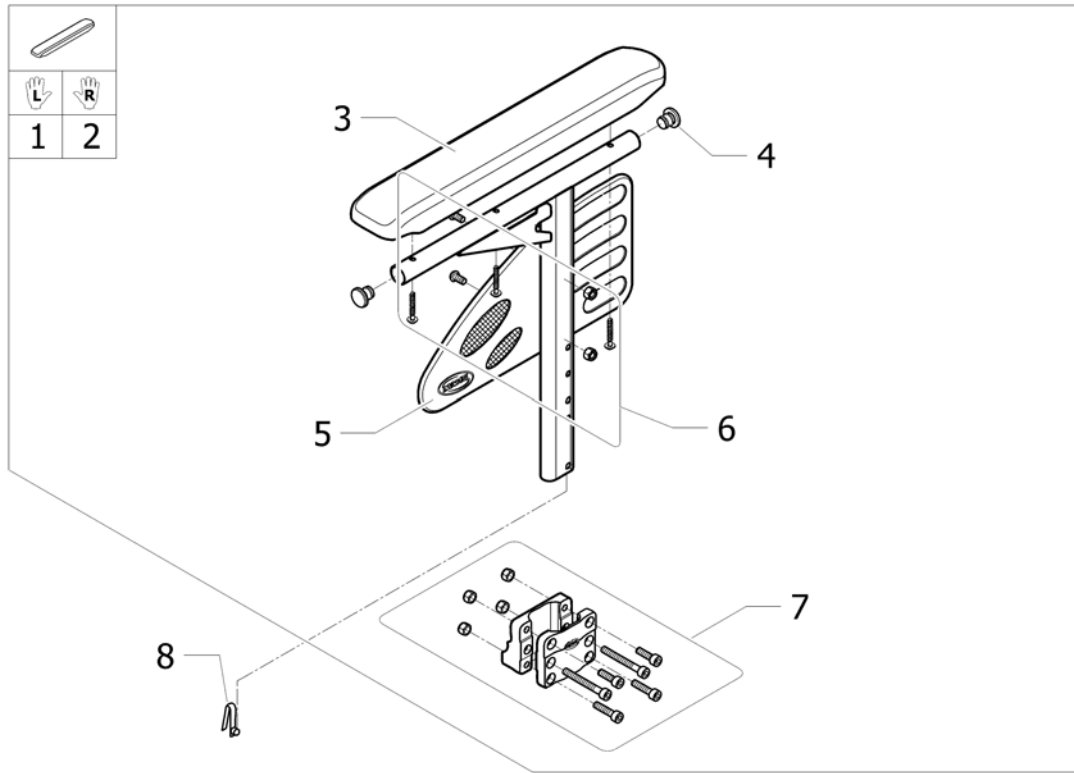
## Armrest n°1 - Removable and height adjustable



!SPS1544183 ~ sps1495339\_jl

Pos.	Part number	Description	Valid from → until	Qty
1	1534086-0601	Lh Desk Armrest N°1 Removable and height adjustable		1
2	1534085-0601	Rh Desk Armrest N°1 Removable and height adjustable		1
3	1534088-0601	Lh Long Armrest N°1 Removable and height adjustable		1
4	1534087-0601	Rh Long Armrest N°1 Removable and height adjustable		1
5	1543220	Kit short armpad 280mm + 2 screws		2
6	1432595	Long armpad kit + tube + screw		2
6.1	1543247	Kit armpad long 380 mm + 3 screws		2
7	0021-20028	Plastic cap black Ø19x15mm		4
8	1430422	Armrest N°1 screws kit		2
9	1425601	Skirtguard black for armrest 1		2
10	1430421	Central armrest support		2
11	0027-10003	Spring pin locked armrest		2
12	1425467-0601	Lh Armrest Tube Support		1
13	1428721-0601	Rh Armrest Tube Support		1

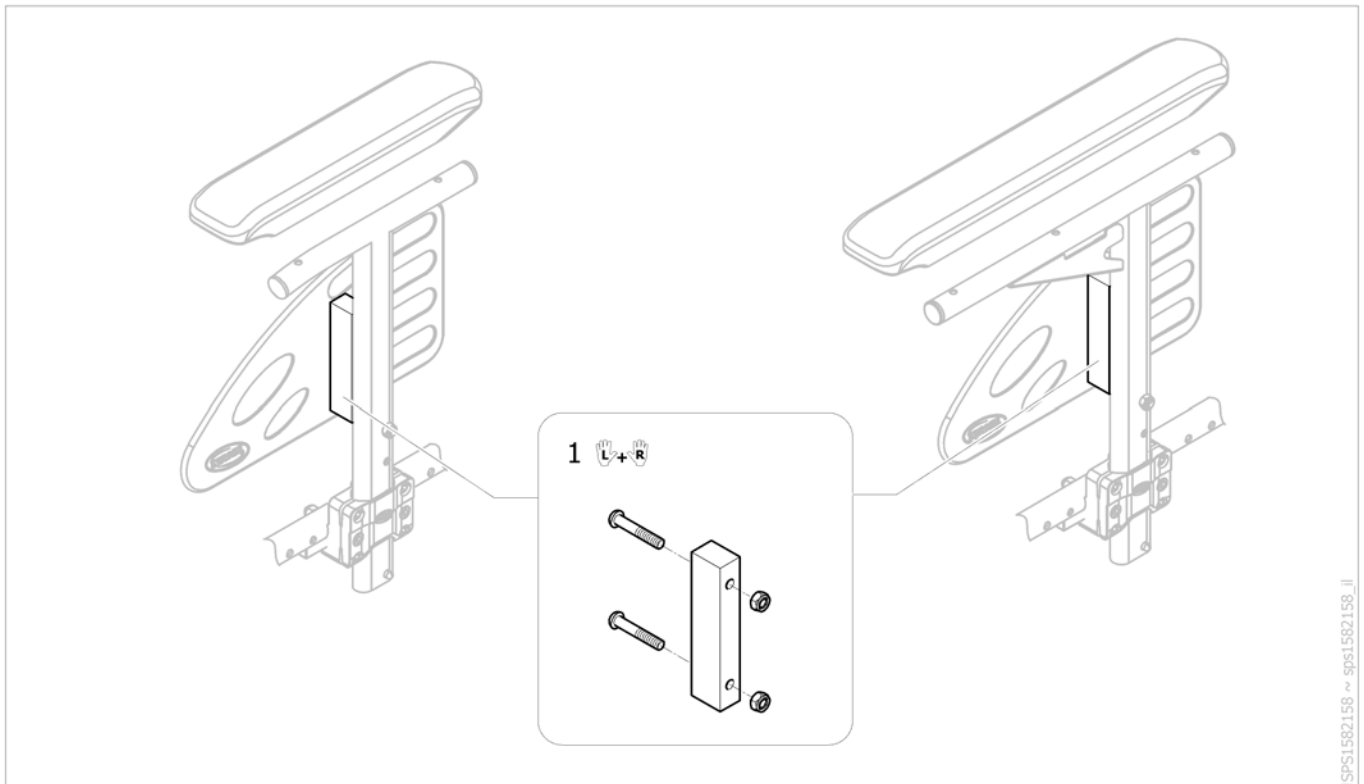
## T Armrest n°1 (UK) - Removable and height adjustable



ISPS1548464 ~ sps1548465\_01

Pos.	Part number	Description	Valid from → until	Qty
1	1548470	Lh T Armrest N°1 Long - Removable and height adjustable for UK [CE_0750]		1
2	1548471	Rh T Armrest N°1 Long - Removable and height adjustable for UK [CE_0650]		1
3	1543247	Kit armpad long 380 mm + 3 screws		2
4	0021-20028	Plastic cap black Ø19x15mm		4
5	1425601	Skirtguard black for armrest 1		2
6	1430422	Armrest N°1 screws kit		2
7	1430421	Central armrest support		2
8	0027-10003	Spring pin locked armrest		2

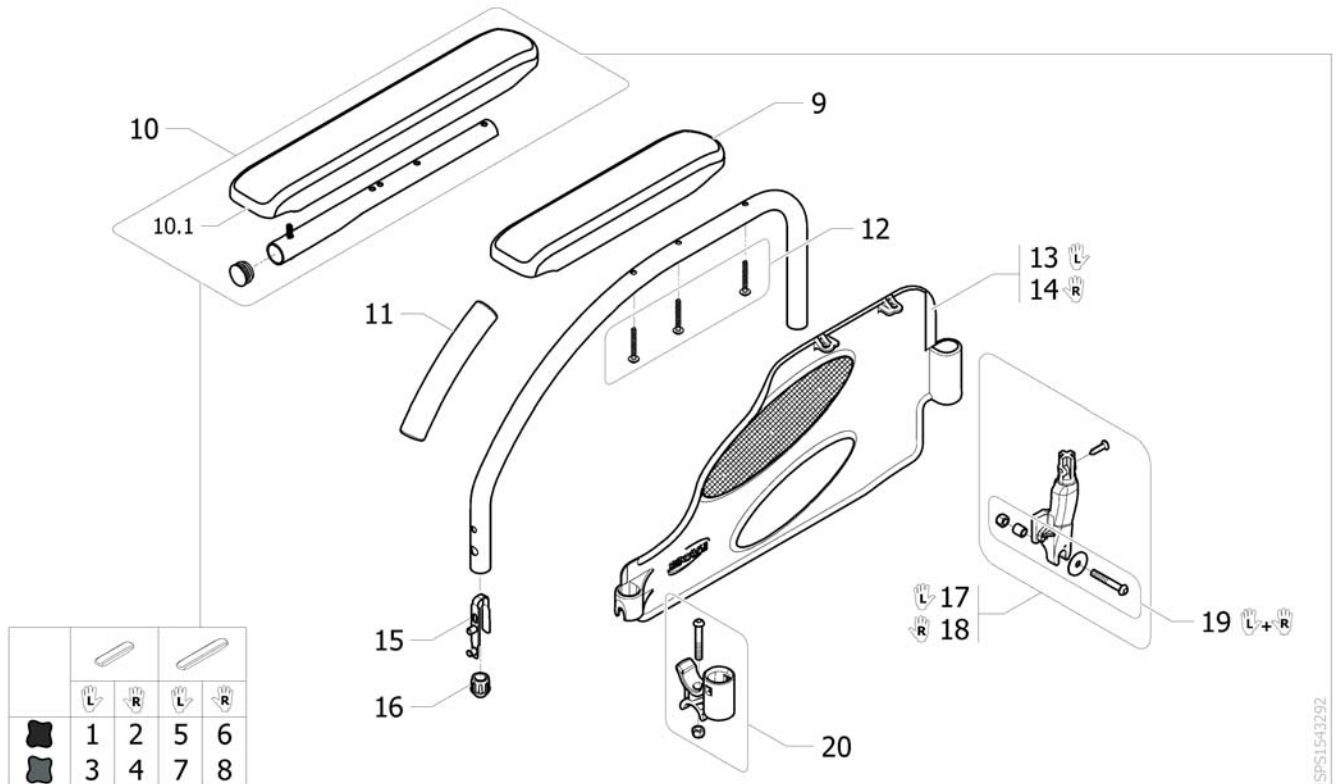
## In-rigged for Armrest & T Armrest n°1 (UK)



Pos.	Part number	Description	Valid from → until	Qty
1	SP1582159	In-rigged armrest kit A3NG for UK (pair)		1

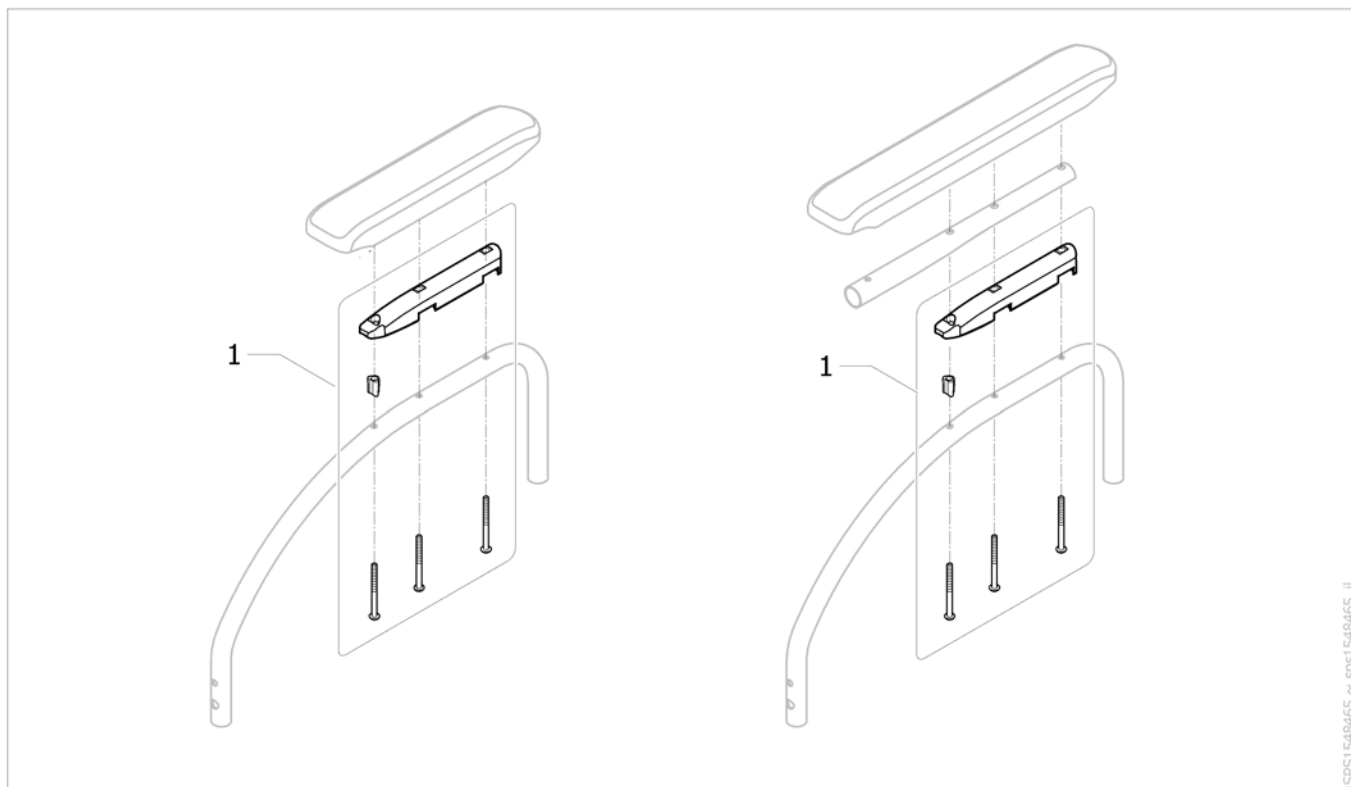


## Armrest n°2 - Swing Away & Detachable 2010.07.29=>



Pos.	Part number	Description	Valid from → until	Qty
1	1428605-0515	Lh Desk Armrest N°2 Pearl Grey	2010-07-29 →	1
2	1428604-0515	Rh Desk Armrest N°2 Pearl Grey	2010-07-29 →	1
3	1428605-0609	Lh Desk Armrest N°2 Anthracite Black		1
4	1428604-0609	Rh Desk Armrest N°2 Anthracite Black		1
5	1428607-0515	Lh Long Armrest N°2 Pearl Grey	2010-07-29 →	1
6	1428606-0515	Rh Long Armrest N°2 Pearl Grey	2010-07-29 →	1
7	1428607-0609	Lh Long Armrest N°2 Anthracite Black		1
8	1428606-0609	Rh Long Armrest N°2 Anthracite Black		1
9	1543195	Kit armpad short 280 mm + 3 screws		2
10	1432595	Long armpad kit + tube + screw		2
10.1	1543219	Kit armpad long 380 mm + 4 screws		2
11	0572-02851	Armrest handle cover		2
12	1430424	Armrest 2 Screws Kit N°2		2
13	1491220	Lh armrest skirtguard 2 <i>Replace 1532799</i>		1
14	1491219	Rh armrest skirtguard 2 <i>Replace 1532800</i>		1
15	1018225	Double stud spring		2
16	0572-03405	Short conical cap		2
17	1431284	Lh Armrest Rear Support Kit		1
18	1430423	Rh Armrest Rear Support Kit		1
19	1573039	Fixed armrest N°2/3 fixation kit (pair)		1
20	0572-05368	Crossbar and armrest support kit		2

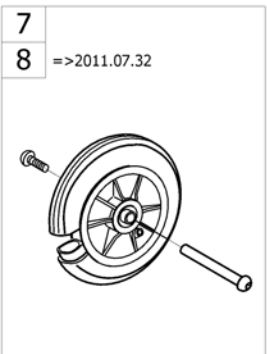
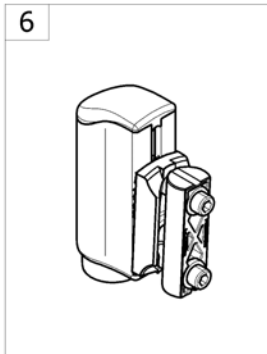
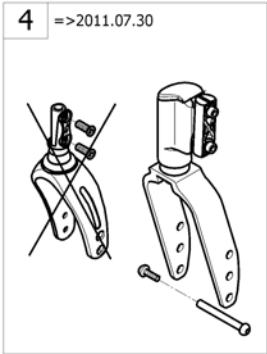
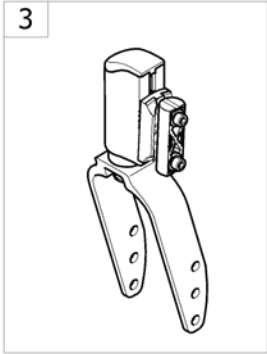
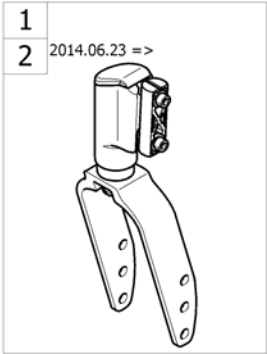
# Armpads raiser kit



ISPS1548465 ~ sps1548465\_II

Pos.	Part number	Description	Valid from → until	Qty
1	1553185	Armpad raiser kit for Action NG range (Unit)		2

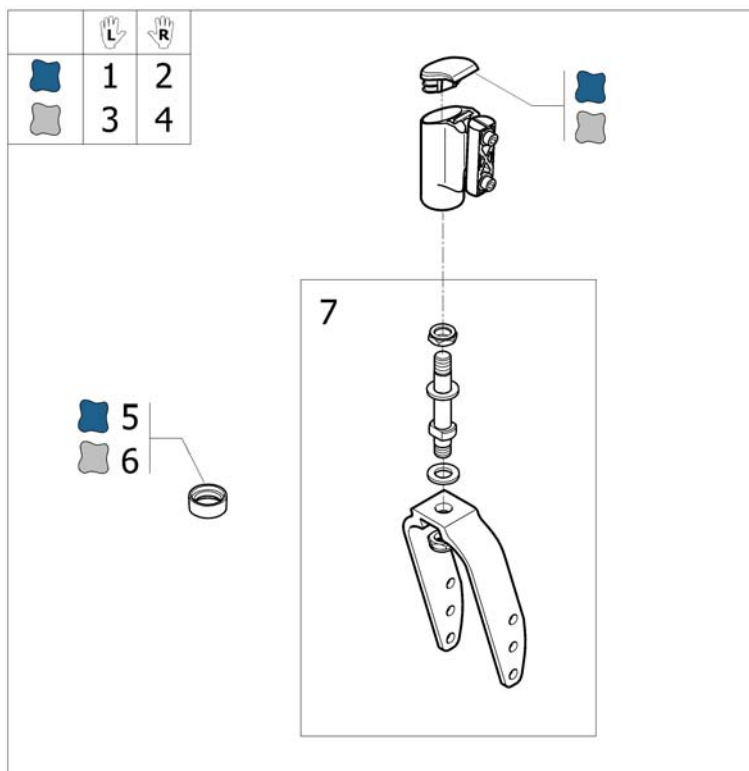
### Front wheels



ISPCACTION2NG55

Pos.	Part number	Description	Valid from → until	Qty
1	-	Fork with fixed support		1
2	-	Fork with fixed support 2014.06.23 =>	2014-06-23 →	1
3	-	Fork with adjustable support		1
4	-	Forks plastic =>2011.07.30		1
5	-	Forks supports fixe		1
6	-	Forks supports adjustable		1
7	-	Front wheels for alu forks with support		1
8	-	Front wheels for plastics forks =>2011.07.30	→ 2011-07-30	1

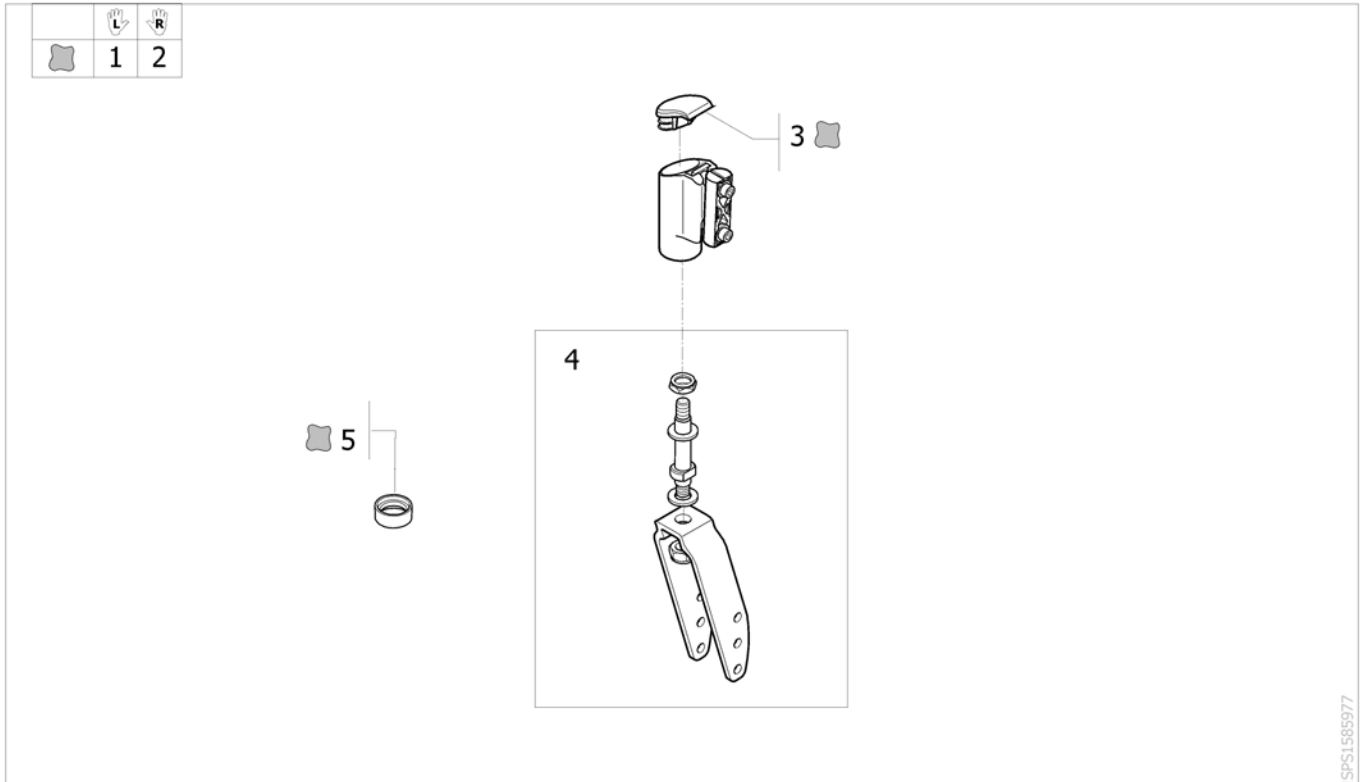
## Fork with fixed support



ISPS1553872 ~ 1545621

Pos.	Part number	Description	Valid from → until	Qty
1	1548570-0619	Kit fork Alu Black Lh L60 mm, 3 positions, cover Ocean Blue + axle + fixed support Action2NG		1
2	1548571-0619	Kit fork Alu Black Rh L60 mm, 3 positions, cover Blue Ocean + axle + fixed support Action2NG		1
3	1548570-7035	Kit fork Alu black Lh L60 mm, 3 positions, cover Silver Grey + axle + fixed support Action2NG		1
4	1548571-7035	Kit fork Alu Black Rh L60 mm, 3 positions, cover Silver Grey + axle + fixed support Action2NG		1
5	1529516-0619	Fork Ring Blue Action NG		2
6	1529516-7035	Fork Ring Grey A2NG		2
7	1444802	Kit fork Action alu black W61, 3 positions + axle		2

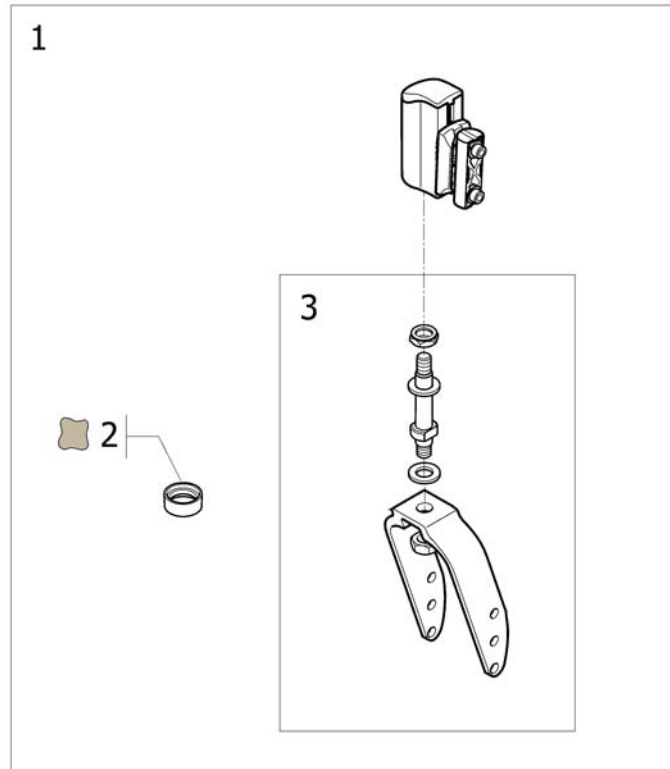
## Fork with fixed support 2014.06.23 =>



ISPS1585977

Pos.	Part number	Description	Valid from → until	Qty
1	1581649-7035	Kit fork Alu Black Lh L36 mm, 3 positions, cover Silver Grey + axle + fixed support Action2NG	2014-06-23 →	1
2	1581648-7035	Kit fork Alu Black Lh L36 mm, 3 positions, cover Silver Grey + axle + fixed support Action2NG	2014-06-23 →	1
3	1545619-7035	Fork support cap fixe Silver		2
4	1444803	Kit fork Action alu black W36, 3 positions + axle		2
5	1529516-7035	Fork Ring Grey A2NG		2

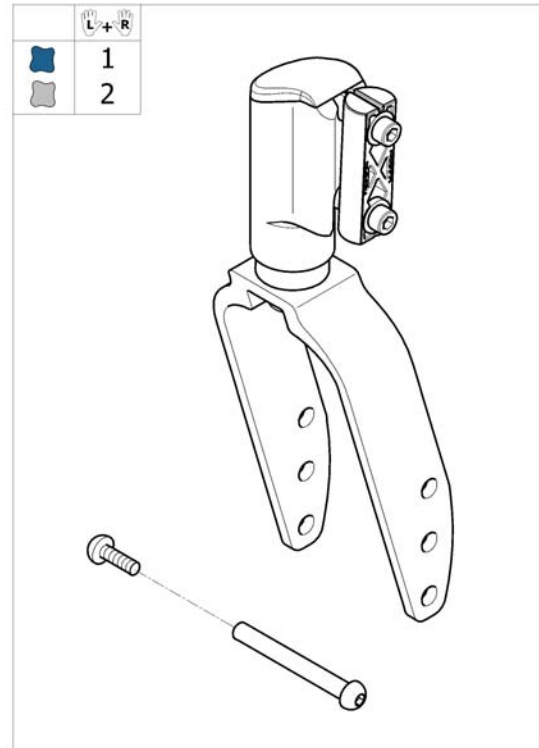
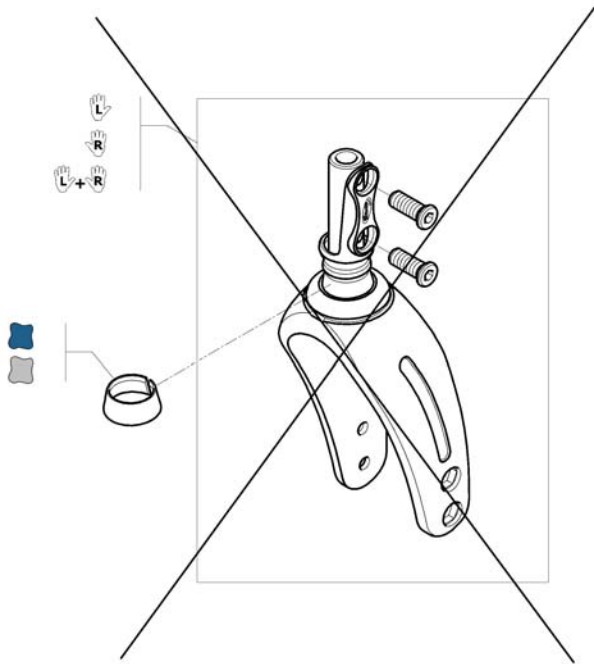
## Fork with adjustable support



ISPS1554052

Pos.	Part number	Description	Valid from → until	Qty
1	1450025	Kit fork Action alu black W61, 3 positions + axle + support adj		2
2	1529516-0618	Fork ring Champagne		2
3	1444802	Kit fork Action alu black W61, 3 positions + axle		2

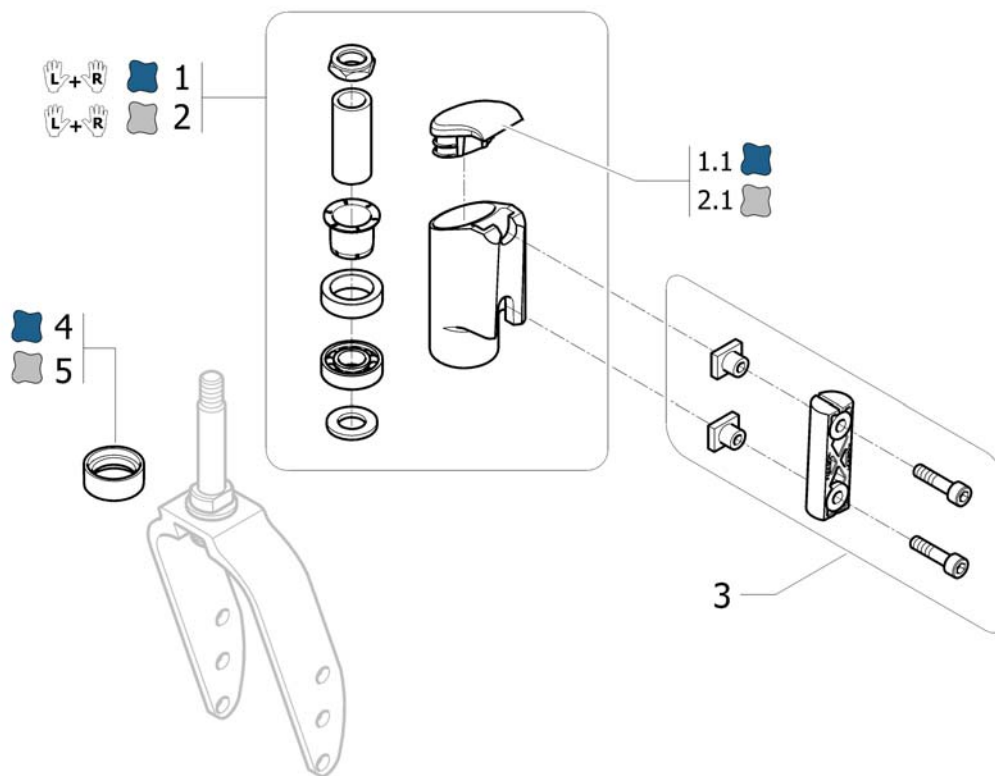
## Forks plastic =>2011.07.30



ISPS1532487 ~ sps1545621\_II

Pos.	Part number	Description	Valid from → until	Qty
1	1567425	Kit fork Alu black L60 cover Blue + Kit axle M8 (Pair) <i>Replace Forks plastic 1531476 / 1531474 / 1534393</i>	→ 2011-07-30	1
2	1567426	Kit fork Alu black L60 cover Silver + Kit axle M8 (Pair) <i>Replace Forks plastic 1531476 / 1531474 / 1534393</i>	→ 2011-07-30	1

## Forks supports fixe

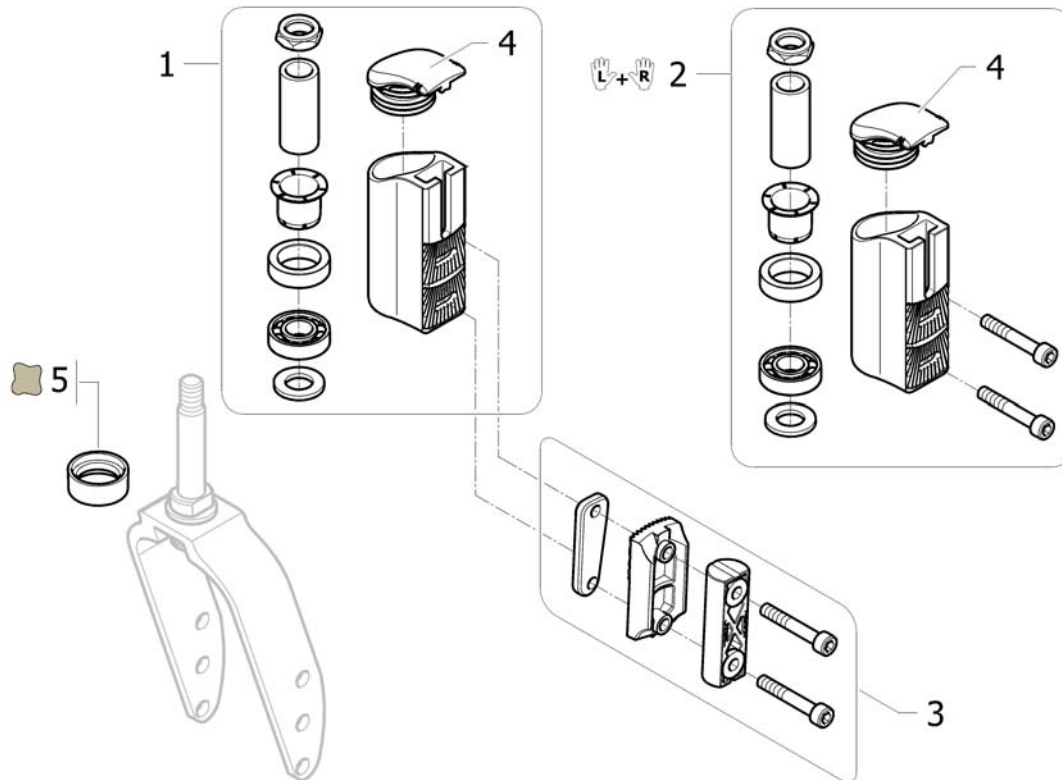


ISPS1554247 ~ 1545621.asm ~ 1523962.asm

Pos.	Part number	Description	Valid from → until	Qty
1	1554349	Kit fork support fix Action alu black L+R, cover blue, bearing housing only		1
1.1	1545619-0619	Fork support cap fixe Blue		2
2	1554350	Kit fork support fix Action alu black L+R, cover silver, bearing housing only		1
2.1	1545619-7035	Fork support cap fixe Silver		2
3	1554351	Kit fork support fix Action alu black, plate & inserts only		2
4	1529516-0619	Fork Ring Blue Action NG		2
5	1529516-7035	Fork Ring Grey A2NG		2



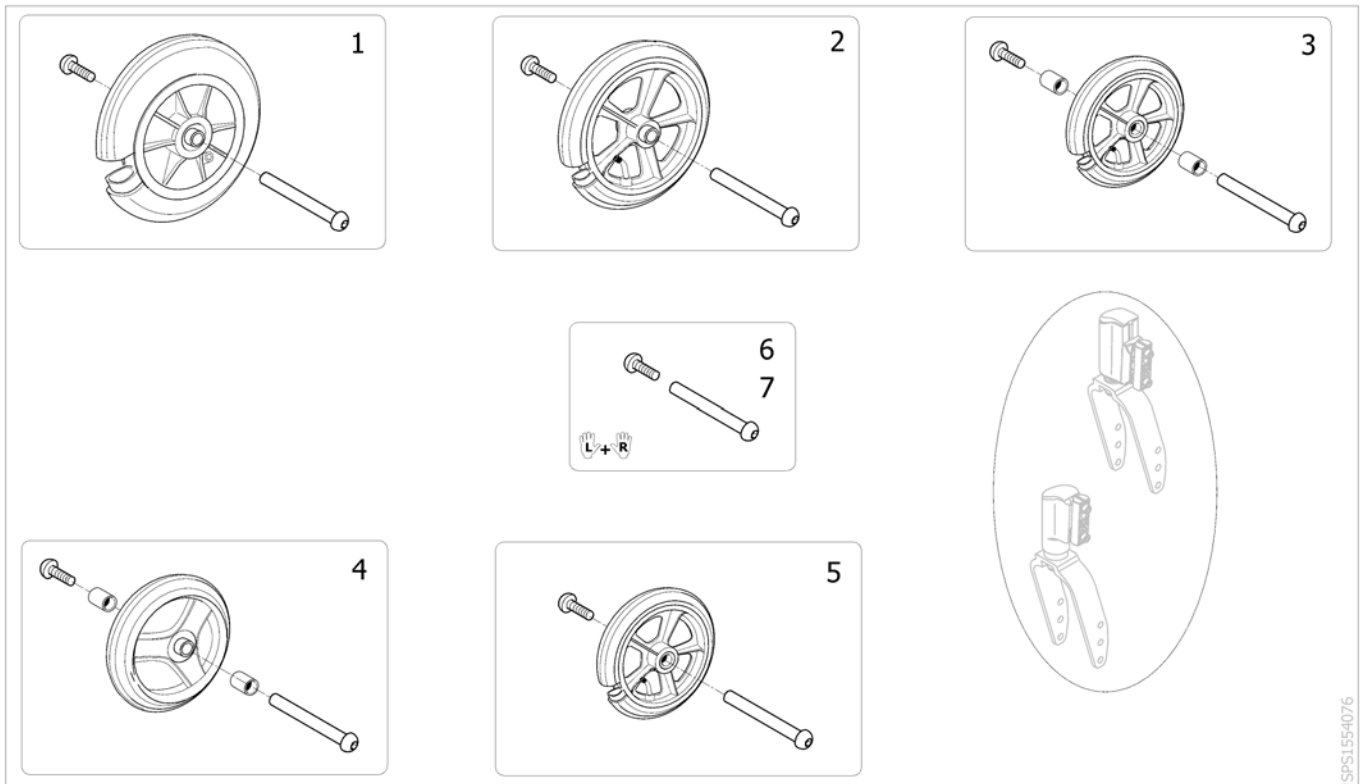
## Forks supports adjustable



ISPS1535968 ~ sps1535348\_11

Pos.	Part number	Description	Valid from → until	Qty
1	1444804	Kit fork support adj Action alu black, bearing housing only (2011 version)		2
2	1556557	Kit fork support adj Action alu black, bearing housing + screws (pair, Transformation kit to 2011 version)	→ 2011-11-13	1
3	1450028	Kit fork support adj Action alu black, plate & inserts only		2
4	1540575	Plastic plug, castor housing		2
5	1529516-0618	Fork ring Champagne		2

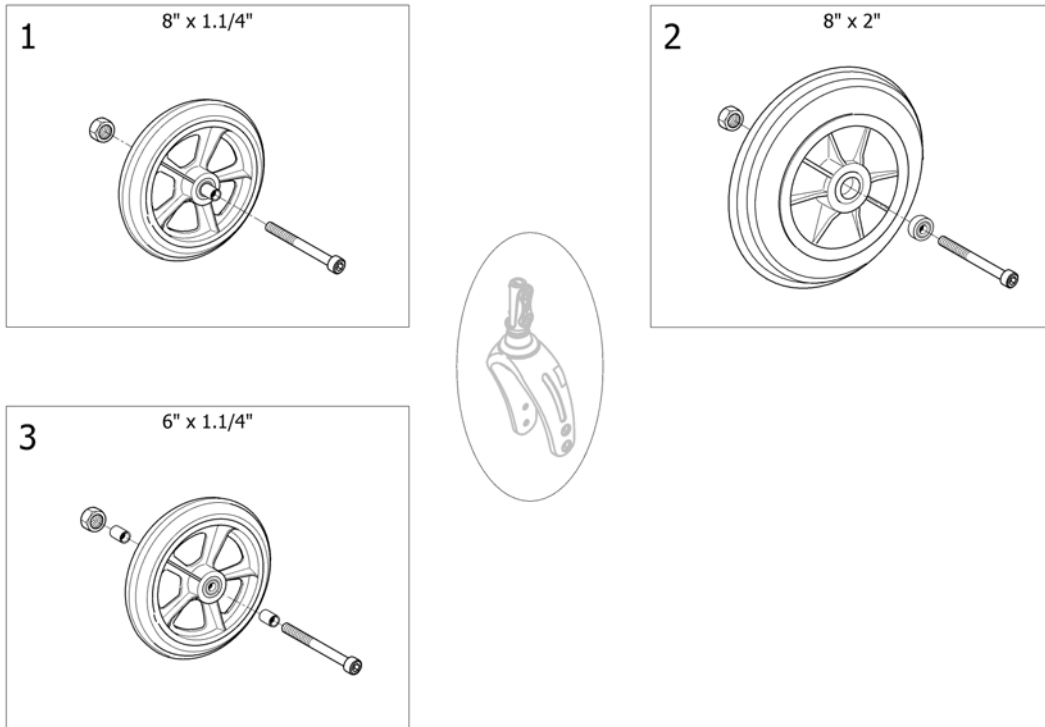
## Front wheels for alu forks with support



ISPS155-4076

Pos.	Part number	Description	Valid from → until	Qty
1	SP1584031	Front wheel 8" x 2" (200x45) + axle, Solid tyre, L60 mm <i>Replace 0572-06128</i>	2014-05-16 →	2
1	SP1581577	Pair front wheel 8" x 2" (200x45) + axle, Solid tyre, L60 mm	→ 2014-05-15	1
2	SP1584032	Front castor 8" x 1.1/4" (200x30) + axle, Solid tyre, L60 mm <i>Replace 0572-02013</i>	2014-06-03 →	2
2	SP1582956	Pair front wheel 8" x 1.1/4" (200x30) + axle, solid tyre, L60 mm	→ 2014-06-02	1
3	SP1589884	Front wheel 6" x 1.1/4" + axle, Solid tyre, L60 mm <i>Replace 1428895 for wheelchair after 2015/03/31</i>	2015-04-01 →	2
3	SP1589885	Pair front wheel 6" x 1.1/4" + axle, Solid tyre, L60 mm <i>Replace 1428895 for wheelchair before 2015/04/01</i>	→ 2015-03-31	1
4	1450176	Front wheel 6" x 1.1/4" + axle, Medium hard, L60 mm		2
5	SP1589882	Front wheel 6"x 1.1/4" + axle, Solid type, L36 mm <i>Replace 1450174 for wheelchair after 2015/03/21</i>	2015-04-01 →	2
5	SP1589883	Pair front wheel 6"x 1.1/4" + axle, Solid type, L36 mm <i>Replace 1450174 for wheelchair before 2014/04/01</i>	→ 2015-03-31	1
6	1561355	Kit axle M8 for forks L60 (Pair)		1
7	1561356	Kit axle M8 for forks L36 (Pair)	2014-06-23 →	1

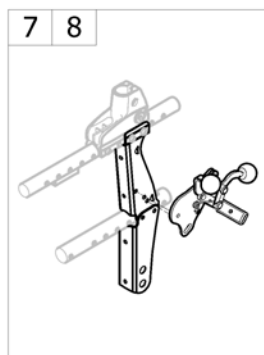
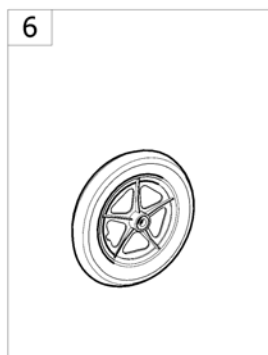
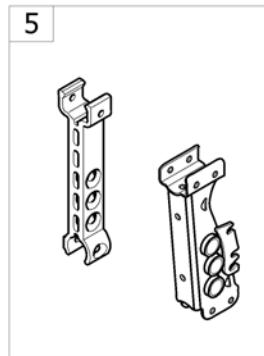
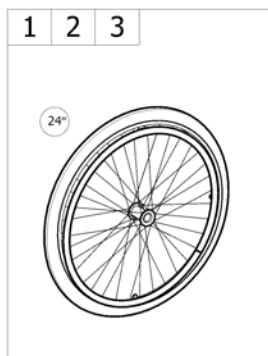
## Front wheels for plastics forks =>2011.07.30



ISPS1532526

Pos.	Part number	Description	Valid from → until	Qty
1	SP1582958	Pair front wheel 8" x 1.1/4" + axle, solid tyre, L60 mm Action2NG	→ 2011-07-30	1
2	SP1581578	Pair front wheel 8" x 2" (200x45) Solid tyre + axle Action2NG	→ 2014-05-15	1
3	SP1589899	Front wheel 6"x 1.1/4" + axle, solid tyre, A2NG <i>Replace 1538131 for wheelchair after 2015/03/31</i>	2015-04-01 →	2
3	SP1589900	Pair front wheel 6"x 1.1/4" + axle, solid tyre, A2NG <i>Replace 1538131 for wheelchair before 2015/04/01</i>	→ 2015-03-31	1

## Rear wheels

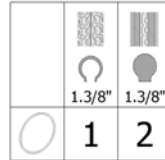
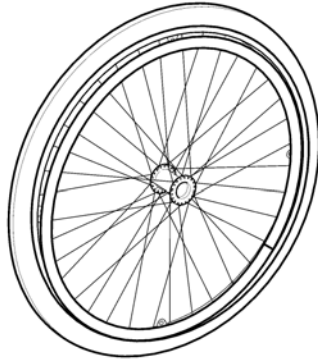


-<SPACTION2NG55

Pos.	Part number	Description	Valid from → until	Qty
1	-	24" standard wheels		1
2	-	24" Hub brake wheels		1
3	-	24" standard wheels accessories		1
4	-	Quick release axle dia 12 Action		1
5	-	Standard rear wheels support		1
6	-	12" transit wheels		1
7	-	Transit rear wheels support & push brakes SH48.5		1
8	-	Transit rear wheels support & push brakes SH51		1

## 24" standard wheels

24"

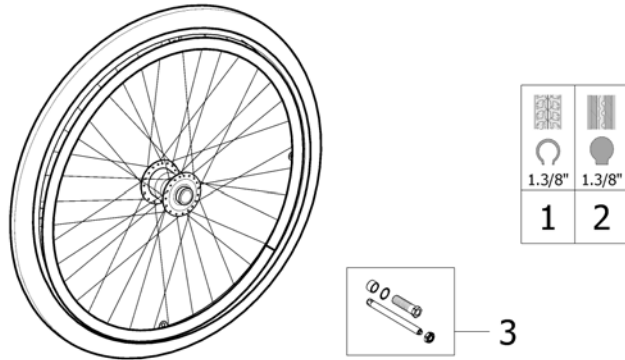


15P13327

Pos.	Part number	Description	Valid from → until	Qty
1	1498423	24" x 1.3/8" wheel,spoked,anodized handrim,pneumatic <i>Replace 1498425</i>		2
2	1498263	24" x 1.3/8" wheel,spoked,anodized handrim,solid tyre,		2

## 24" Hub brake wheels

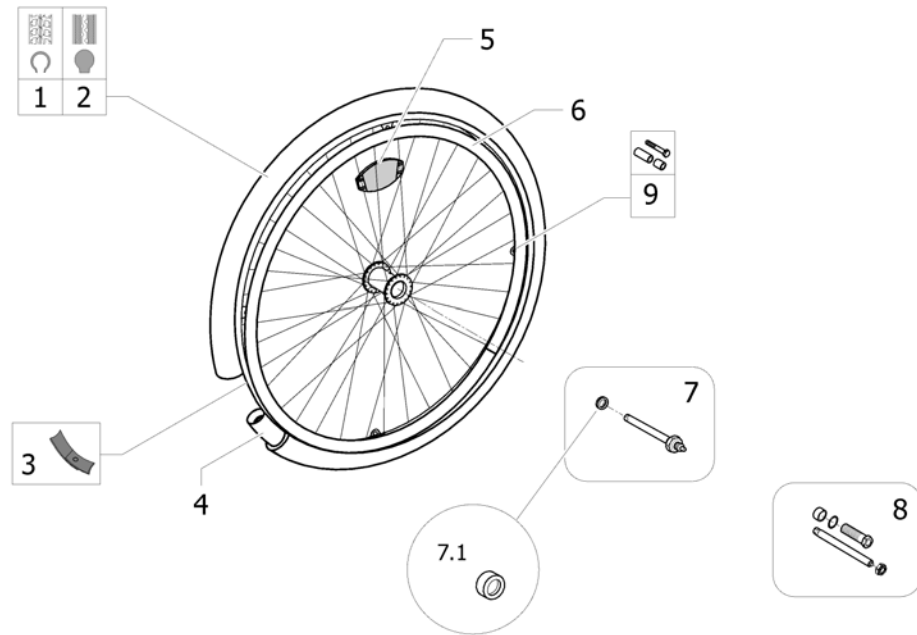
24"



ISPS1538143

Pos.	Part number	Description	Valid from → until	Qty
1	1498428	Rear wheel, 24", hub brake, pneumatic tyre 1.3/8", aluminium handrim		2
2	1498427	Rear wheel, 24", hub brake, solid tyre 1.3/8", aluminium handrim		2
3	1538133	Quick release axle Ø12 with bush for hub brake		2



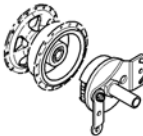


## 24" standard wheels accessories



ISPS1532530

Pos.	Part number	Description	Valid from → until	Qty
1	0036-30001	Pneumatic tyre, 24" x 1.3/8", grey		2
2	0036-10013	Solid tyre, 24" x 1.3/8", grey		2
3	0036-40003	Rim tape 24"		2
4	0036-20001	Inner tube, 24" x 1.3/8"		2
5	N90003	Kit reflector for spoked wheel		2
6	1505291	Kit aluminium handrim 24", 4 fixations		2
7	1567857	Kit Quick release axle + Elliptical spacer washer		2
7.1	1529266	Elliptical spacer washer 6 mm for rear wheel axle	2011-02-19 →	2
8	1538133	Quick release axle Ø12 with bush for hub brake		2
9	1573626	Kit handrim fixation for spoked wheel, 4 pts		2

## Quick release axle dia 12 Action

						
	=> 03-2007	03-2007 =>	=> 06-2007	06-2007 =>	01-2011 =>	
Action 1NG		3				
Action 2NG		1		4	1	
Action 3	1	1	1	1		1
Action 3NG		1		1		1
Action 3J		1		1		
Action 4	1	1	1	1		1
Action 4NG		1		1		1
Esprit A3 J		1				
Action 2000	1	1				2
Variable +	1	1		1		2

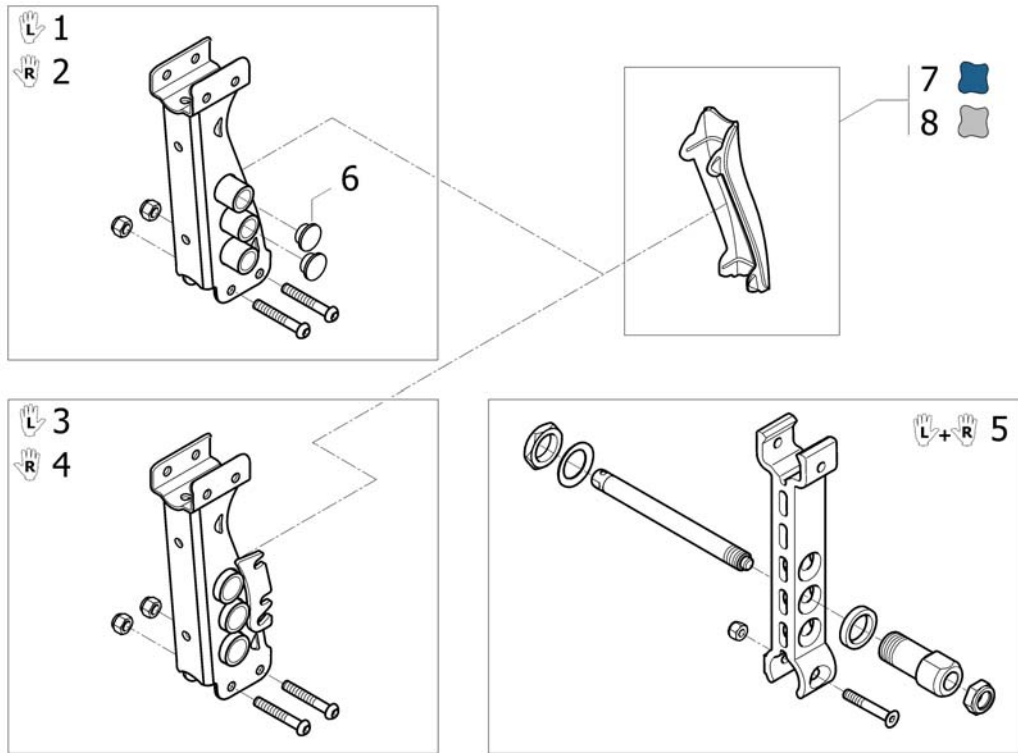
	1	2	3	4
-----------------------------------------------------------------------------------	---	---	---	---

ISPS1572689

Pos.	Part number	Description	Valid from → until	Qty
1	1498496	Quick release axle Ø12		2
2	0047-10035	Quick release axle Ø12		2
3	1137209	Quick release axle Ø12		2
4	1485144	Quick release axle Ø12		2



## Standard rear wheels support



ISPS1532529 ~ sps1532529\_11

Pos.	Part number	Description	Valid from → until	Qty
1	1535026	Rear wheels support kit Lh SH510/485/460 mm Action <sup>2</sup> NG		1
2	1535025	Rear wheels support kit Rh SH510/485/460 mm Action <sup>2</sup> NG		1
3	1535028	Rear wheels support kit for hub brake Lh SH510/485/460 mm Action <sup>2</sup> NG	→ 2010-12-31	1
4	1535027	Rear wheels support kit for hub brake Rh SH510/485/460 mm Action <sup>2</sup> NG	→ 2010-12-31	1
5	1553252	Kit rear wheel support alu 3 holes for A2NG		1
6	1533718	Key plastic cap for rear wheel support A2NG		1
7	1527609-0619	Rear wheel support cover Action <sup>2</sup> NG Blue Ocean		2
8	1527609-7035	Rear wheel support cover Action <sup>2</sup> NG Grey		2

# 12" transit wheels

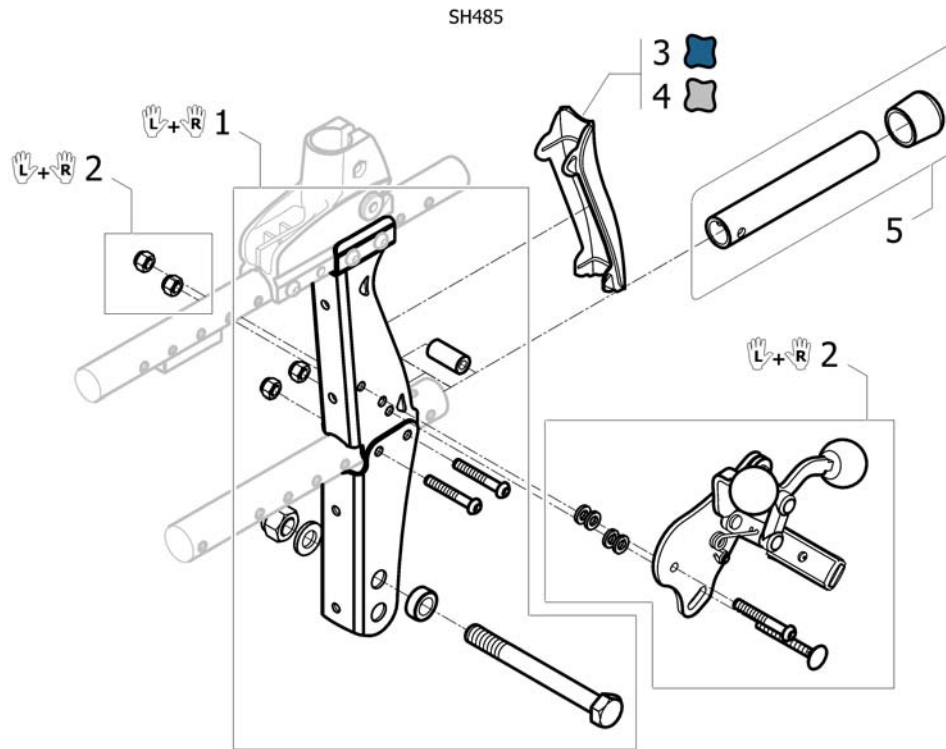
1



1535037

Pos.	Part number	Description	Valid from → until	Qty
1	1530448	12" rear wheel, composite, standard hub, solid tyre (pair) <i>Replace 1535037</i>		1

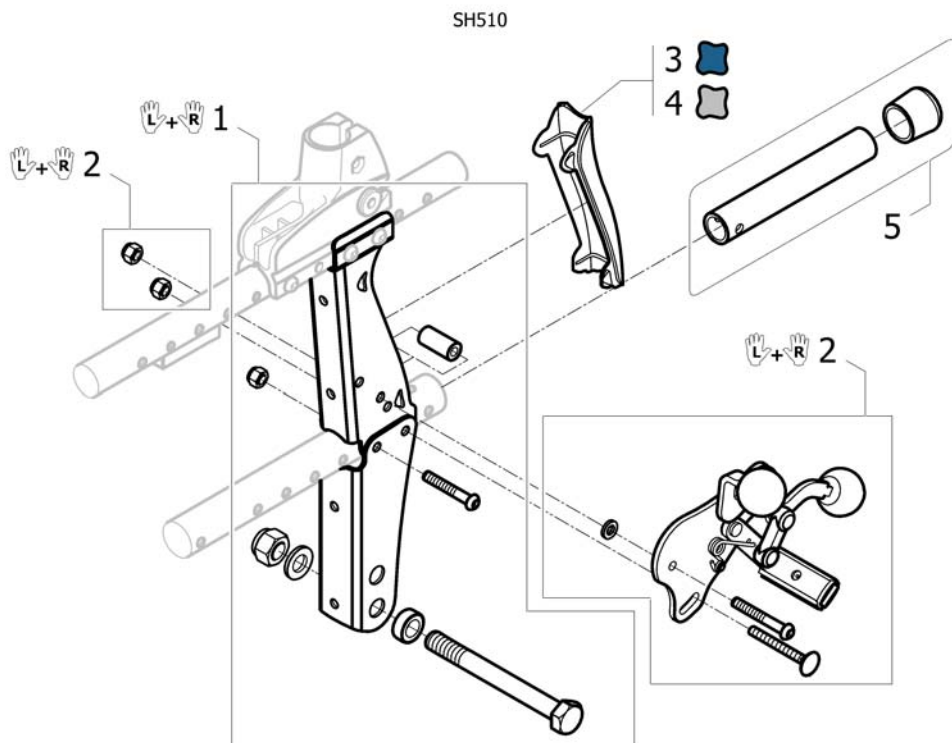
## Transit rear wheels support & push brakes SH48.5



SP513239

Pos.	Part number	Description	Valid from → until	Qty
1	1531654	Axle kit for A2NG Transit		1
2	1531655	Brakes Transit A2NG		1
3	1527609-0619	Rear wheel support cover Action <sup>2</sup> NG Blue Ocean		2
4	1527609-7035	Rear wheel support cover Action <sup>2</sup> NG Grey		2
5	1535366	Kit tipping aid A2NG Transit		2

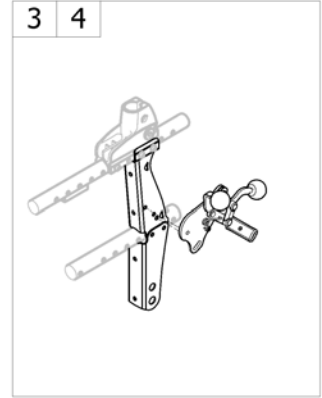
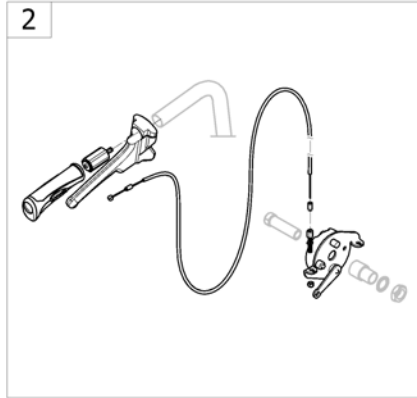
# Transit rear wheels support & push brakes SH51



SP51336802

Pos.	Part number	Description	Valid from → until	Qty
1	1531654	Axle kit for A2NG Transit		1
2	1531655	Brakes Transit A2NG		1
3	1527609-0619	Rear wheel support cover Action <sup>2</sup> NG Blue Ocean		2
4	1527609-7035	Rear wheel support cover Action <sup>2</sup> NG Grey		2
5	1535366	Kit tipping aid A2NG Transit		2

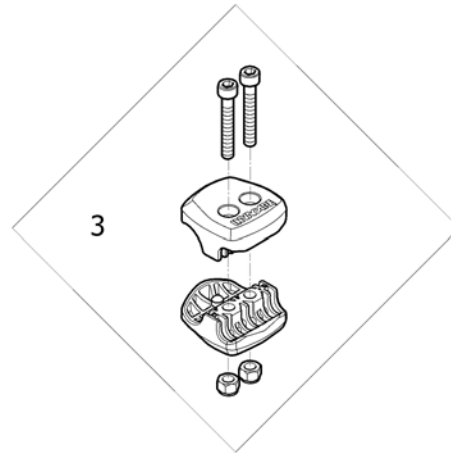
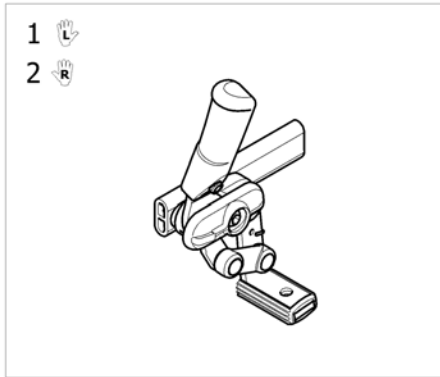
# Brakes



-<SPCACTION2NG65

Pos.	Part number	Description	Valid from → until	Qty
1	-	Push Brakes		1
2	-	Hub Brakes		1
3	-	Transit rear wheels support & push brakes SH48.5		1
4	-	Transit rear wheels support & push brakes SH51		1

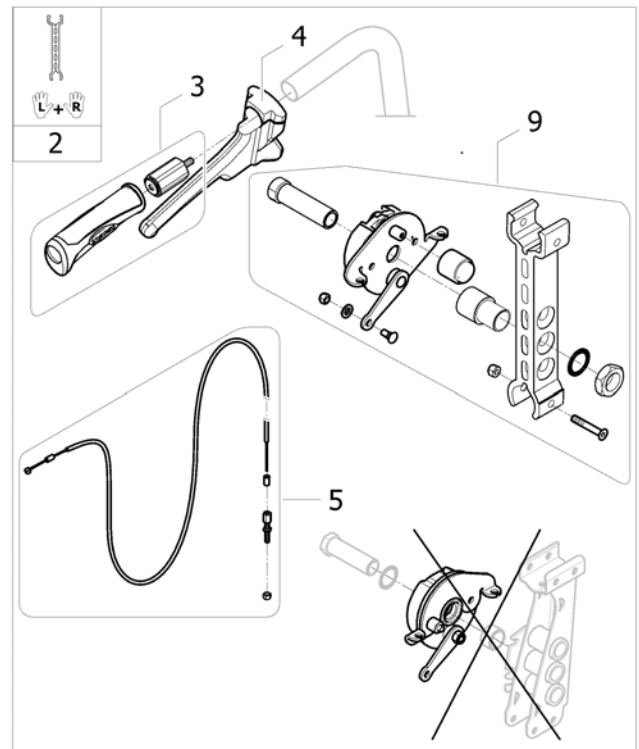
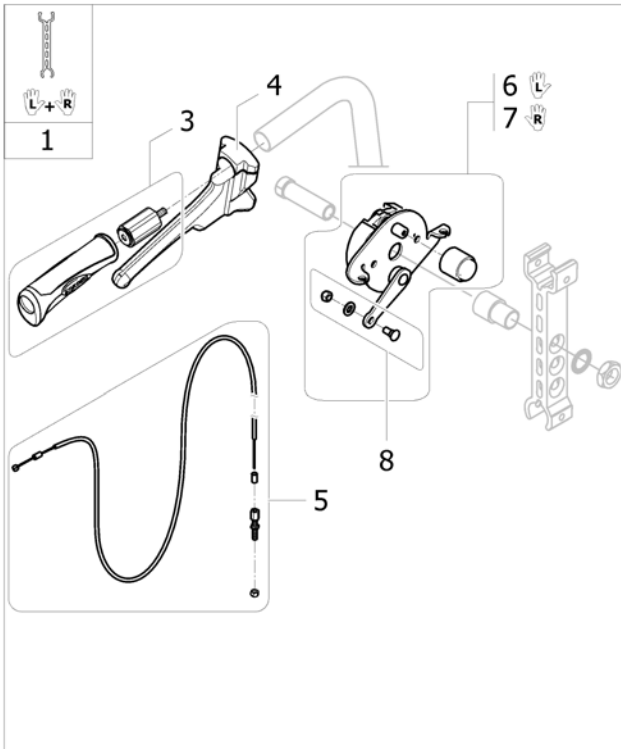
# Push Brakes



ISPS1032554 ~ 1575102\_II

Pos.	Part number	Description	Valid from → until	Qty
1	1425634	Standard push brake Left		1
2	1425635	Standard push brake Right		1
3	1575102	Kit brake composite clamp black <i>Replace 1423107</i>		2

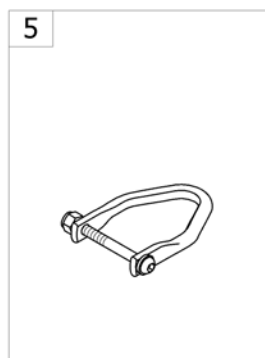
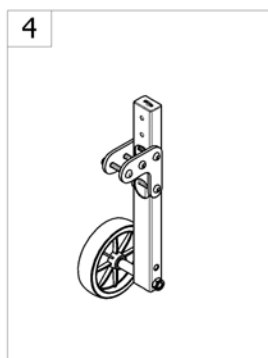
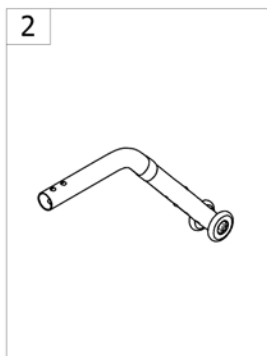
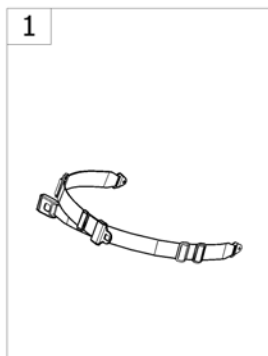
# Hub Brakes



ISPS1573629 ~ sps1538144\_II

Pos.	Part number	Description	Valid from → until	Qty
1	1559908	Kit attendant hub brake for rear support wheel black cataphoresis A2NG	2011-01-01 →	1
2	1573625	Kit complete attendant hub brake(Lh and RH) with aluminum rear support 3 holes and hub brake plate A2 NG	2010-01-01 → 2013-07-31	1
3	1556552	Kit extention backrest post for hub brake		2
4	1420527	Black Brake Lever dia 22mm		2
5	1430204	Attendant Hub Brakes Complete Mechanism (pair)		1
6	1567413	LH Hub brake plate kit		1
7	1567414	RH Hub brake plate kit		1
8	M30071	Cable Clamp Bolt c/wNut& Wash		2
9	1573622	Kit aluminium support (pair) and hub brake plate A2 NG	2010-01-01 → 2013-07-31	1

## Safety options



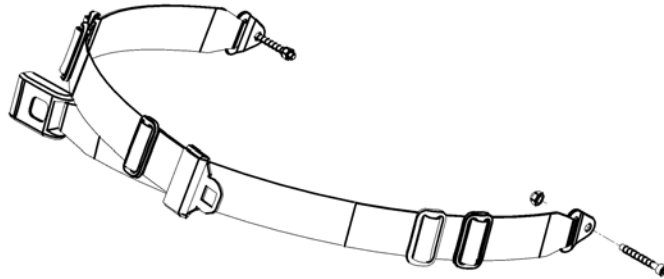
-<SPCACTION2NG90

Pos.	Part number	Description	Valid from → until	Qty
1	-	Belts		1
2	-	Rear anti-tipper		1
3	-	Reflectors		1
4	-	Transfer kit		1
5	-	Transportation attachment kit		1



## Belts

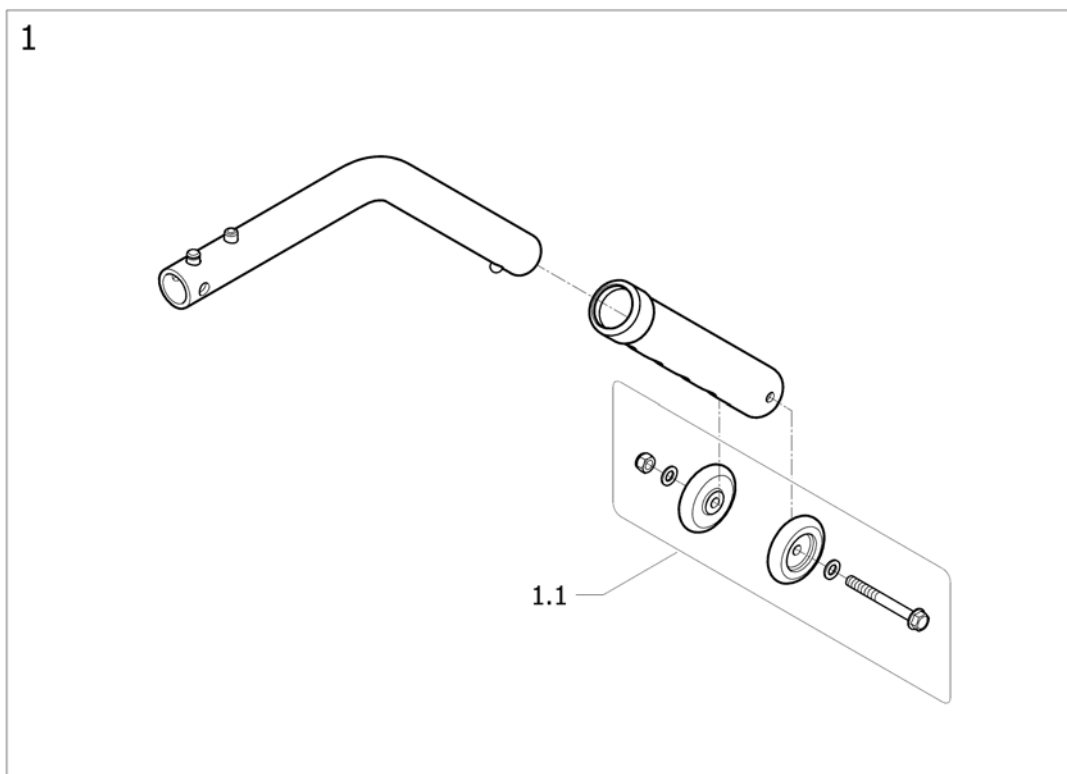
	Esprit Action 4NG	Action 3NG Action 2000 Variable +	Action 4NG	Action A3J	Action 2NG
SW205	-	-	-	1	-
SW255	-	-	-	1	-
SW280	-	-	-	1	-
SW305	1	-	-	1	-
SW330	1	-	-	1	-
SW355	1	-	-	1	-
SW380	1	1	1	1	3
SW405	1	1	1	-	3
SW430	1	1	1	-	3
SW455	1	1	1	-	3
SW480	2	2	2	-	2
SW505	2	2	2	-	-
SW555	2	-	2	-	-
SW605	2	-	2	-	-



ISPS1497376

Pos.	Part number	Description	Valid from → until	Qty
1	0572-05389	Safety lap belt metal buckle SW205/455 mm		1
2	1492755	Kit safety lap belt metal buckle HD SW480/605 mm		1
3	1531657	Kit safety lap belt metal buckle SW380/455 mm (Action2NG)		1

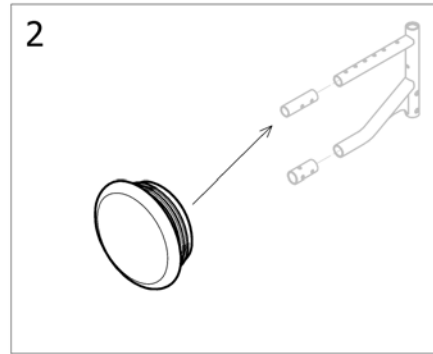
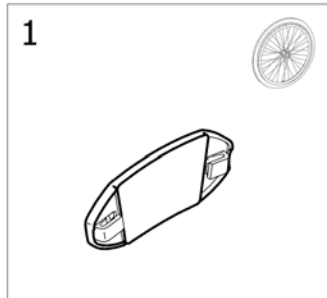
## Rear anti-tipper



ISPS1532556 ~ sps1548725\_01

Pos.	Part number	Description	Valid from → until	Qty
1	0572-05848	Kit anti-tippers		2
1.1	1548802	Kit wheels + attachment anti-tippers (washers out)		2


# Reflectors

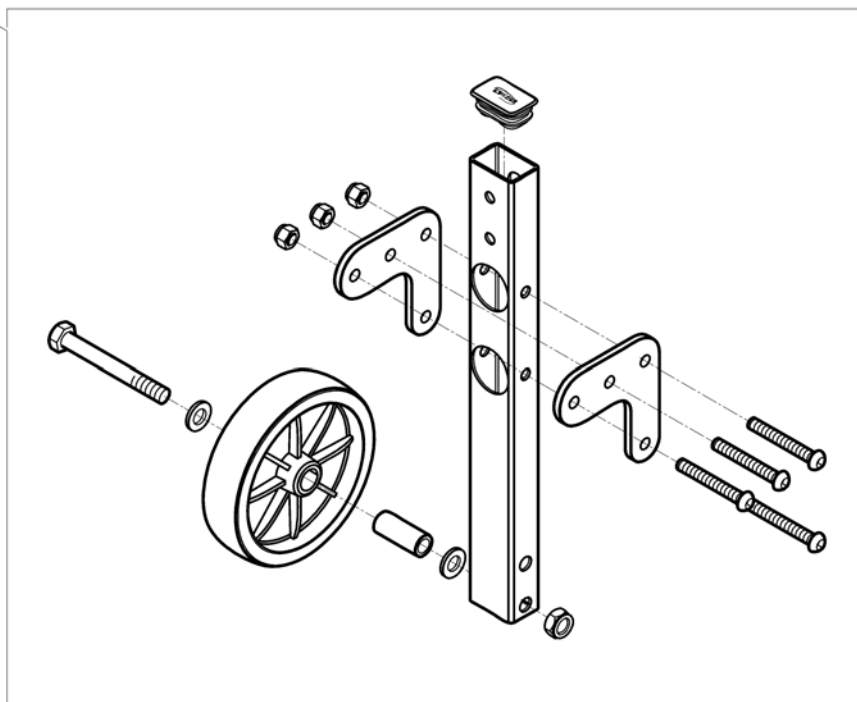


!SPS1548379

Pos.	Part number	Description	Valid from → until	Qty
1	N90003	Kit reflector for spoked wheel		2
2	1545553	End tube Ø22 reflector red		2

# Transfer kit

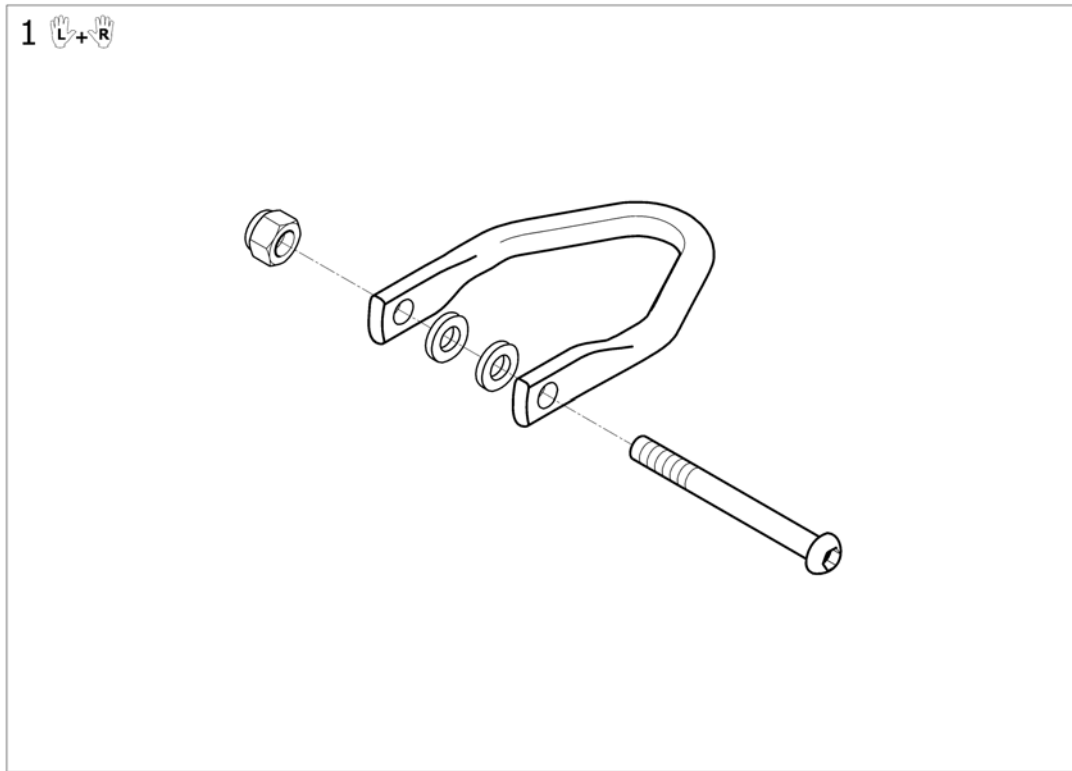
 1



15P133039

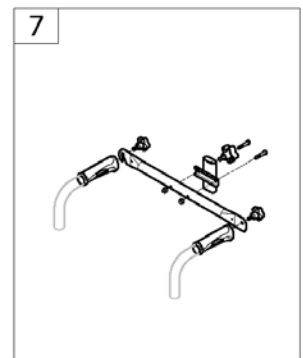
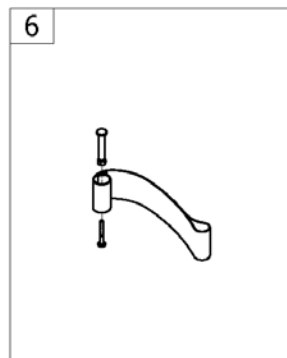
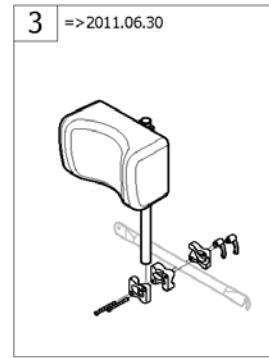
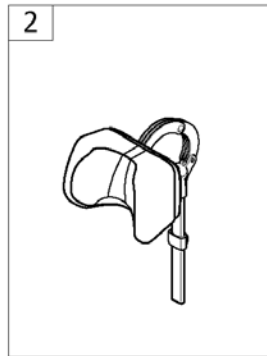
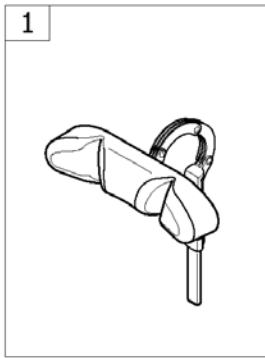
Pos.	Part number	Description	Valid from → until	Qty
1	1492139	Pair of anti-barrier wheels kit		1

## Transportation attachment kit



Pos.	Part number	Description	Valid from → until	Qty
1	1532810	Transportation kit Action2NG (pair)		1

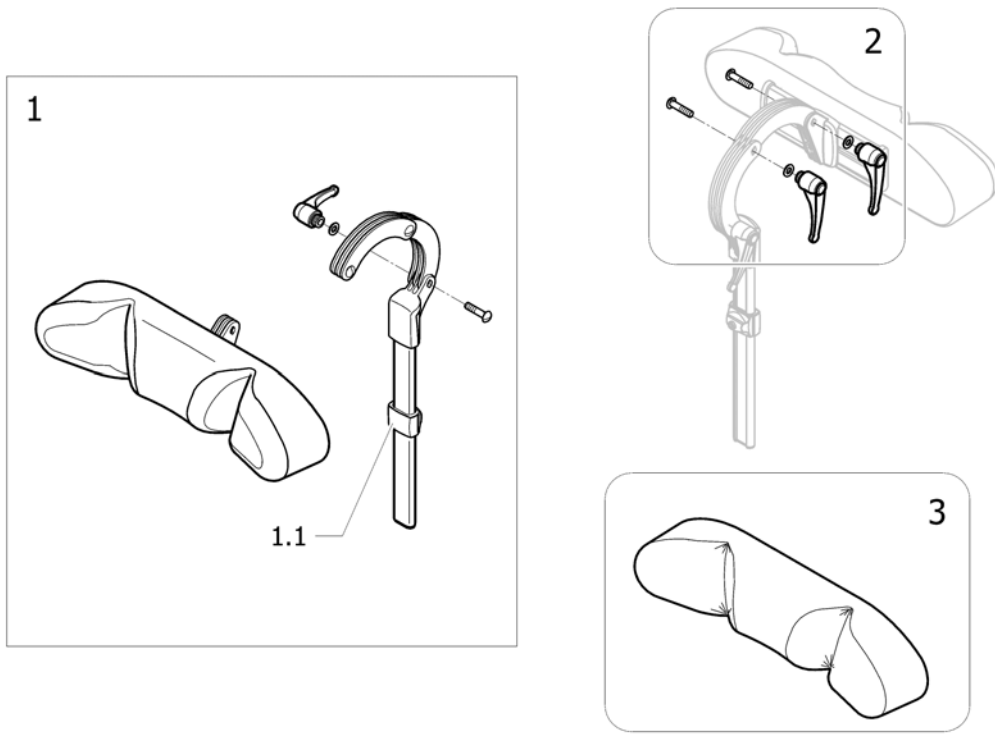
## Seating options



-<SPACATION2NG92

Pos.	Part number	Description	Valid from → until	Qty
1	-	Headrest		1
2	-	Neckrest	2011-07-01 →	1
3	-	Standard Headrest =>2011-06-30	→ 2011-06-30	1
4	-	Cushions Nylon		1
5	-	Cushions Contour Visco		1
6	-	Heels strap		1
7	-	Back Brace standard + support		1

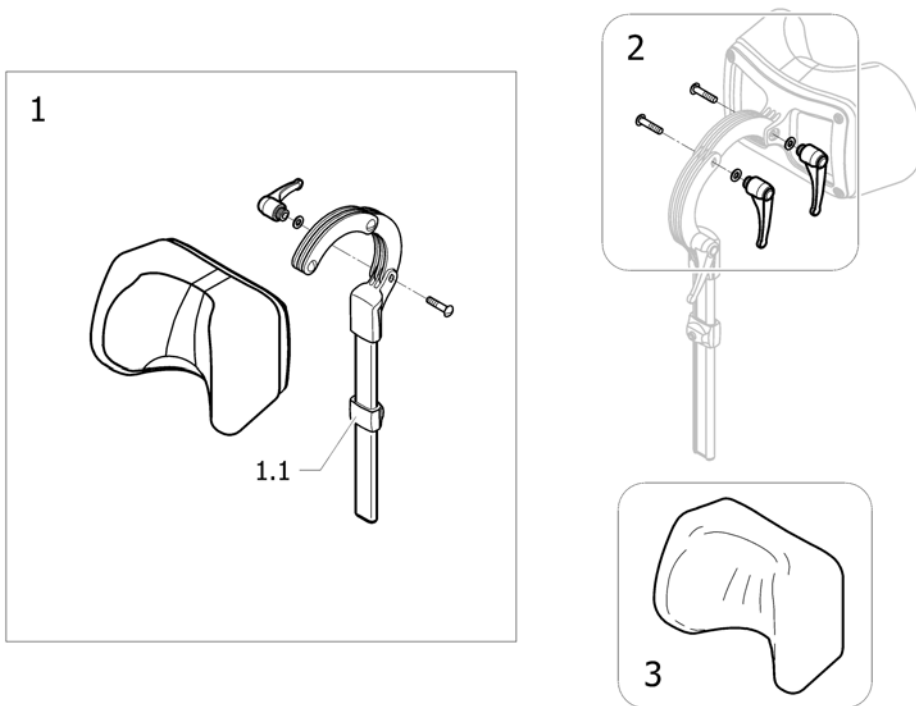
# Headrest



!SPS1553018 ~ sps1553018\_it

Pos.	Part number	Description	Valid from → until	Qty
1	1446559	HEADREST TR26 CPL SIDEWISE ADJUSTABLE		1
1.1	1448661	stop neck and headrest		1
2	1445693	HANDLES, CLINIC KIT NECK- AND HEADREST		1
3	1518516	Cover for headrest TR26		1

# Neckrest



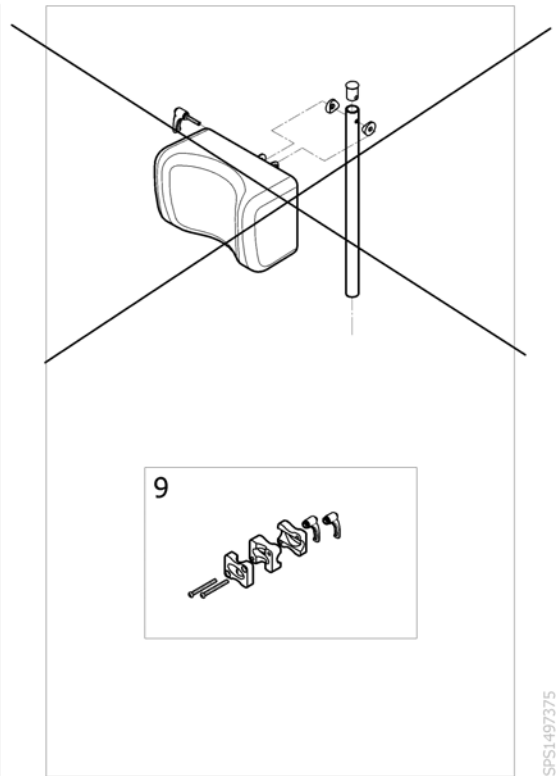
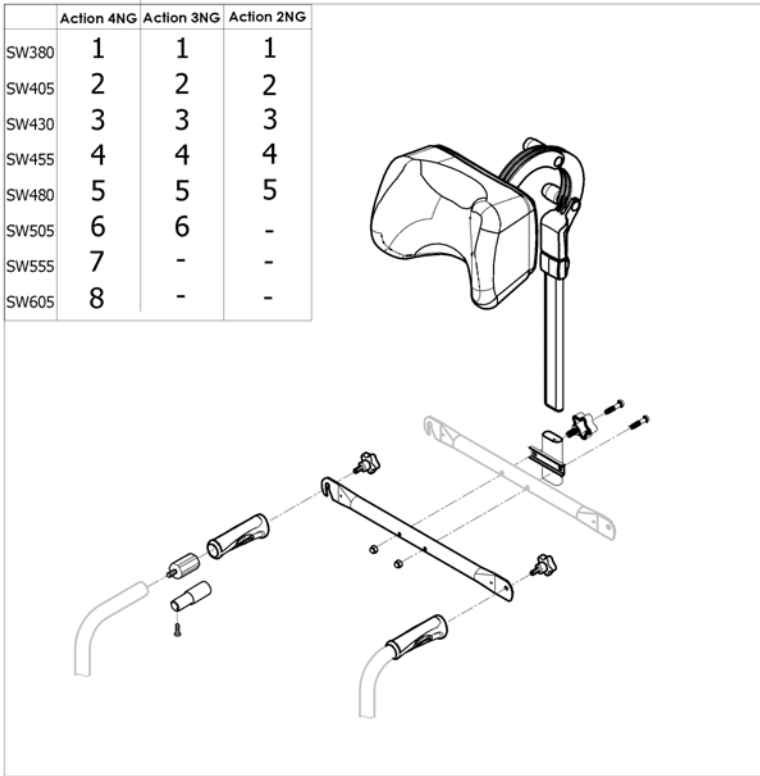
ISPS1548246

Pos.	Part number	Description	Valid from → until	Qty
1	1508848	NECKREST, CPL		1
1.1	1448661	stop neck and headrest		1
2	1445693	HANDLES, CLINIC KIT NECK- AND HEADREST		1
3	1518517	Cover neckrest TR34		1



## Standard Headrest =>2011-06-30

	Action 4NG	Action 3NG	Action 2NG
SW380	1	1	1
SW405	2	2	2
SW430	3	3	3
SW455	4	4	4
SW480	5	5	5
SW505	6	6	-
SW555	7	-	-
SW605	8	-	-



ISPS1497375

Pos.	Part number	Description	Valid from → until	Qty
1	1574745	Headrest + Backbrace NG SW380 mm <i>Replace 1433028 (1432623+1432622+1432617+1434099)</i>	→ 2011-06-30	1
2	1574746	Headrest + Backbrace NG SW405 mm <i>Replace 1433029 (1432623+1432622+1432617+1434100)</i>	→ 2011-06-30	1
3	1574747	Headrest + Backbrace NG SW430 mm <i>Replace 1433030 (1432623+1432622+1432617+1433707)</i>	→ 2011-06-30	1
4	1574748	Headrest + Backbrace NG SW455 mm <i>Replace 1433031 (1432623+1432622+1432617+1433708)</i>	→ 2011-06-30	1
5	1574749	Headrest + Backbrace NG SW480 mm <i>Replace 1433032 (1432623+1432622+1432617+1433716)</i>	→ 2011-06-30	1
6	1574763	Headrest + Backbrace NG SW505 mm <i>Replace 1433033 (1432623+1432622+1432617+1434105)</i>	→ 2011-06-30	1
7	1574806	Headrest + Backbrace NG SW555 mm <i>Replace 1496214 (1432623+1432622+1432617+1483910)</i>	→ 2011-06-30	1
8	1574807	Headrest + Backbrace NG SW605 mm <i>Replace 1496215 ((1432623+1432622+1432617+1483911)</i>	→ 2011-06-30	1
9	1432617	Headrest Support Kit	→ 2011-06-30	1

## Cushions Nylon

	Action 3NG EspritA4NG		Action 4NG		Action 2000 Action 2NG		Action 1NG		Variable
	SD400	SD450	SD400	SD450	SD400	SD450	SD400	SD450	SD400
	SW380	1	7	1	7	1	7	-	-
SW405	2	8	2	8	2	8	2	8	2
SW430	3	9	3	9	3	9	3	9	3
SW455	4	10	4	10	4	10	4	10	4
SW480	5	11	5	11	5	11	5	11	5
SW505	6	12	6	12	-	-	6	12	6
SW555	-	-	-	13	-	-	-	-	-
SW605	-	-	-	14	-	-	-	-	-



ISPS:1551.050

Pos.	Part number	Description	Valid from → until	Qty
1	SP1586069-3840	Cushion seat foam Nylon SW380 SD400 <i>Replace 1541977</i>		1
2	SP1586069-4040	Cushion seat foam Nylon SW405 SD400 <i>Replace 1541977</i>		1
3	SP1586069-4340	Cushion seat foam Nylon SW430 SD400 <i>Replace 1541979</i>		1
4	SP1586069-4540	Cushion seat foam Nylon SW455 SD400 <i>Replace 1541979</i>		1
5	SP1586069-4840	Cushion seat foam Nylon SW480 SD400 <i>Replace 1541981</i>		1
6	SP1586069-5040	Cushion seat foam Nylon SW505 SD400 <i>Replace 1541981</i>		1
7	SP1586069-3845	Cushion seat foam Nylon SW380 SD450 <i>Replace 1541978</i>		1
8	SP1586069-4045	Cushion seat foam Nylon SW405 SD450 <i>Replace 1541978</i>		1
9	SP1586069-4345	Cushion seat foam Nylon SW430 SD450 <i>Replace 1541980</i>		1
10	SP1586069-4545	Cushion seat foam Nylon SW455 SD450 <i>Replace 1541980</i>		1
11	SP1586069-4845	Cushion seat foam Nylon SW480 SD450 <i>Replace 1541982</i>		1
12	SP1586069-5045	Cushion seat foam Nylon SW505 SD450 <i>Replace 1541982</i>		1
13	SP1586069-5545	Cushion seat foam Nylon SW555 SD450 <i>Replace 1548447</i>		1
14	SP1586069-6045	Cushion seat foam Nylon SW605 SD450 <i>Replace 1548448</i>		1

## Cushions Contour Visco

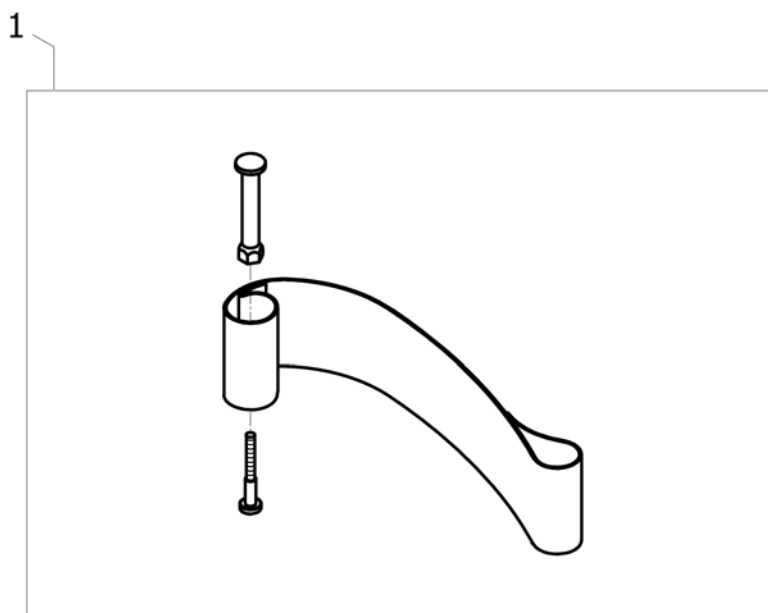
	Action 3NG Action 4NG EspritA4NG		Action 2NG
	SD400	SD450	SD400
SW380	1	7	1
SW405	2	8	2
SW430	3	9	3
SW455	4	10	4
SW480	5	11	5
SW505	6	12	-



ESP5 1526602

Pos.	Part number	Description	Valid from → until	Qty
1	1559590	Cushion Contour Visco, SW380 x SD405 x H90mm MUW:100Kg (FCSB18/18/LMF/SGL) <i>Replace 1501111</i>		1
2	1559659	Cushion Contour Visco, SW405 x SD405 x H90mm MUW:100Kg (FLSB16/16/LMF/SGL) <i>Replace 1501109</i>		1
3	1559730	Cushion Contour Visco, SW430 x SD405 x H90mm MUW:100Kg (FLSB17/16/LMF/SGL) <i>Replace 1501107</i>		1
4	1501114	Cushion Contour Visco, SW455 x SD405 x H90mm MUW:100Kg (FCSB18/16/LMF/SGL) <i>Replace 1523826</i>		1
5	1501116	Cushion Contour Visco, SW480 x SD405 x H90mm MUW:100Kg (FCSB19/16/LMF/SGL)		1
6	1501118	Cushion Contour Visco, SW505 x SD405 x H90mm MUW:125Kg (FCSB20/16/LMV/SGL)		1
7	1559657	Cushion Contour Visco, SW380 x SD455 x H90mm MUW:100Kg (FLSB15/18/LMF/SGL) <i>Replace 1501112</i>		1
8	1526594	Cushion Contour Visco, SW405 x SD455 x H90mm MUW:100Kg (FCSB16/18/LMF/SGL) <i>Replace 1501110</i>		1
9	1526595	Cushion Contour Visco, SW430 x SD455 x H90mm MUW:100Kg (FCSB17/18/LMF/SGL) <i>Replace 1501108</i>		1
10	1526608	Cushion Contour Visco, SW455 x SD455 x H90mm MUW:100Kg (FCSB18/18/LMF/SGL) <i>Replace 1501115/ 1525535</i>		1
11	1525020	Cushion Contour Visco, SW480 x SD455 x H90mm MUW:125Kg (FCSB19/18/LMV/SGL) <i>Replace 1501117</i>		1
12	1525021	Cushion Contour Visco, SW505 x SD455 x H90mm MUW:125Kg (FCSB20/18/LMV/SGL) <i>Replace 1501119</i>		1

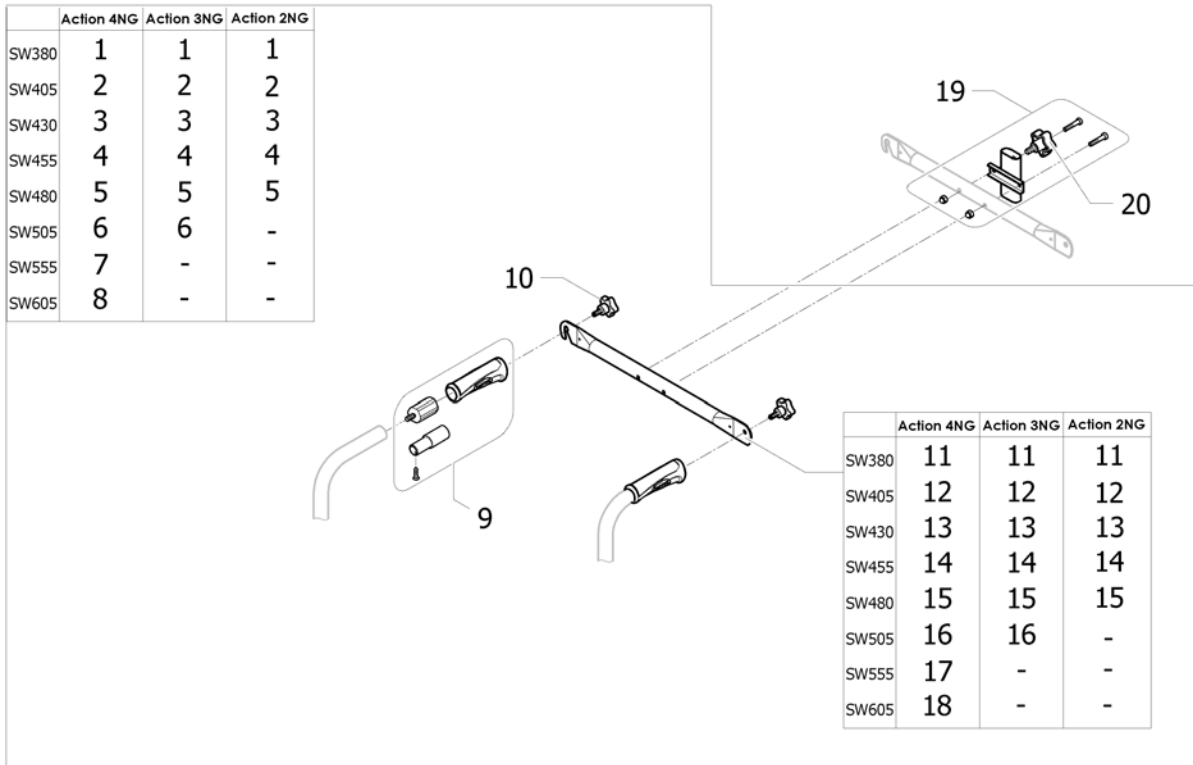
## Heels strap



15P133490

Pos.	Part number	Description	Valid from → until	Qty
1	1492315	Kit heelstrap, adjustable, medium <i>Replace 1534891</i>		2

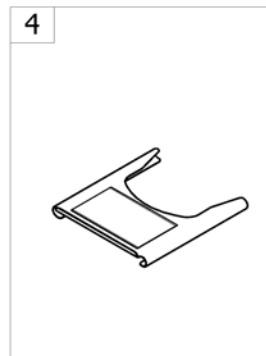
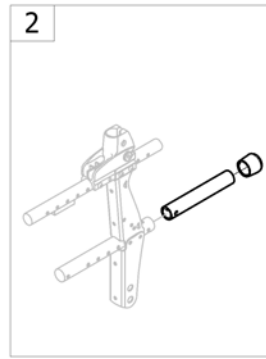
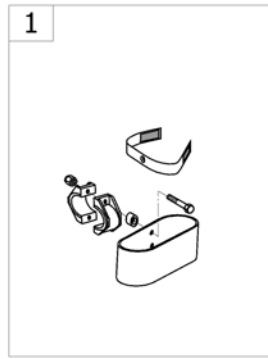
## Back Brace standard + support



ISPS1543302 ~ sps1553018\_II

Pos.	Part number	Description	Valid from → until	Qty
1	1434099	Back Brace with inserts and handles SW380 mm		1
2	1434100	Back Brace with inserts and handles SW405 mm		1
3	1433707	Back Brace with inserts and handles SW430 mm		1
4	1433708	Back Brace with inserts and handles SW455 mm		1
5	1433716	Back Brace with inserts and handles SW480 mm		1
6	1434105	Back Brace with inserts and handles SW505 mm		1
7	1483910	Back Brace with inserts and handles SW555 mm		1
8	1483911	Back Brace with inserts and handles SW605 mm		1
9	1430412	Back brace insert for fixed backrest tube		2
10	0021-60029	Button Ø32 mm M6x16		2
11	1428535-0601	Backbrace SW380 mm black RAL9005		1
12	1428536-0601	Backbrace SW405 mm black RAL9005		1
13	1428537-0601	Backbrace SW430 mm black RAL9005		1
14	1428538-0601	Backbrace SW455 mm black RAL9005		1
15	1428539-0601	Backbrace SW480 mm black RAL9005		1
16	1428540-0601	Backbrace SW505 mm black RAL9005		1
17	1485926-0601	Backbrace SW555 mm black RAL9005		1
18	1485927-0601	Backbrace SW605 mm black RAL9005		1
19	1554616	Kit headrest support (bracket+screw+bolt+button screw M8) Action NG	2011-07-01 →	1
20	0021-60026	Button screw 40 mm M8x16	2011-07-01 →	1

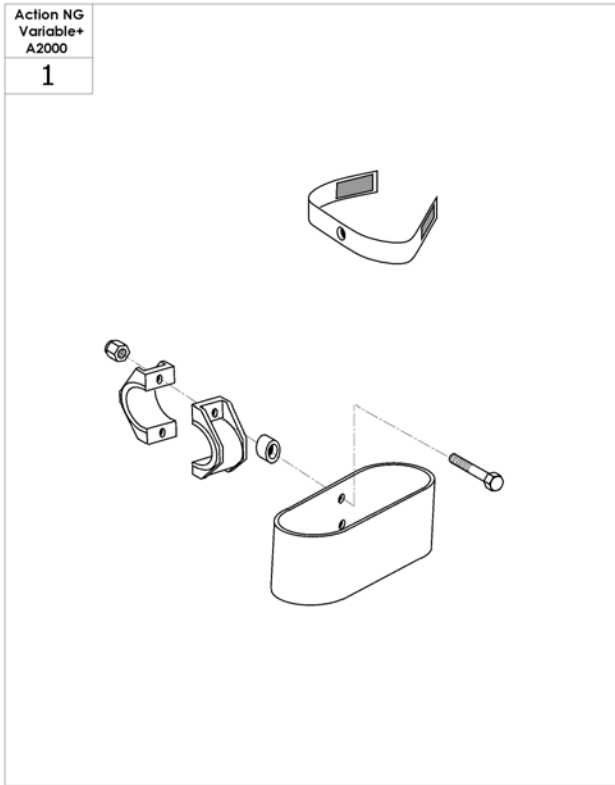
## Others options & accessories



-<SPACTION2NG98

Pos.	Part number	Description	Valid from → until	Qty
1	-	Cane holder		1
2	-	Tipping aid Transit		1
3	-	Dripstand		1
4	-	Transparent tray		1

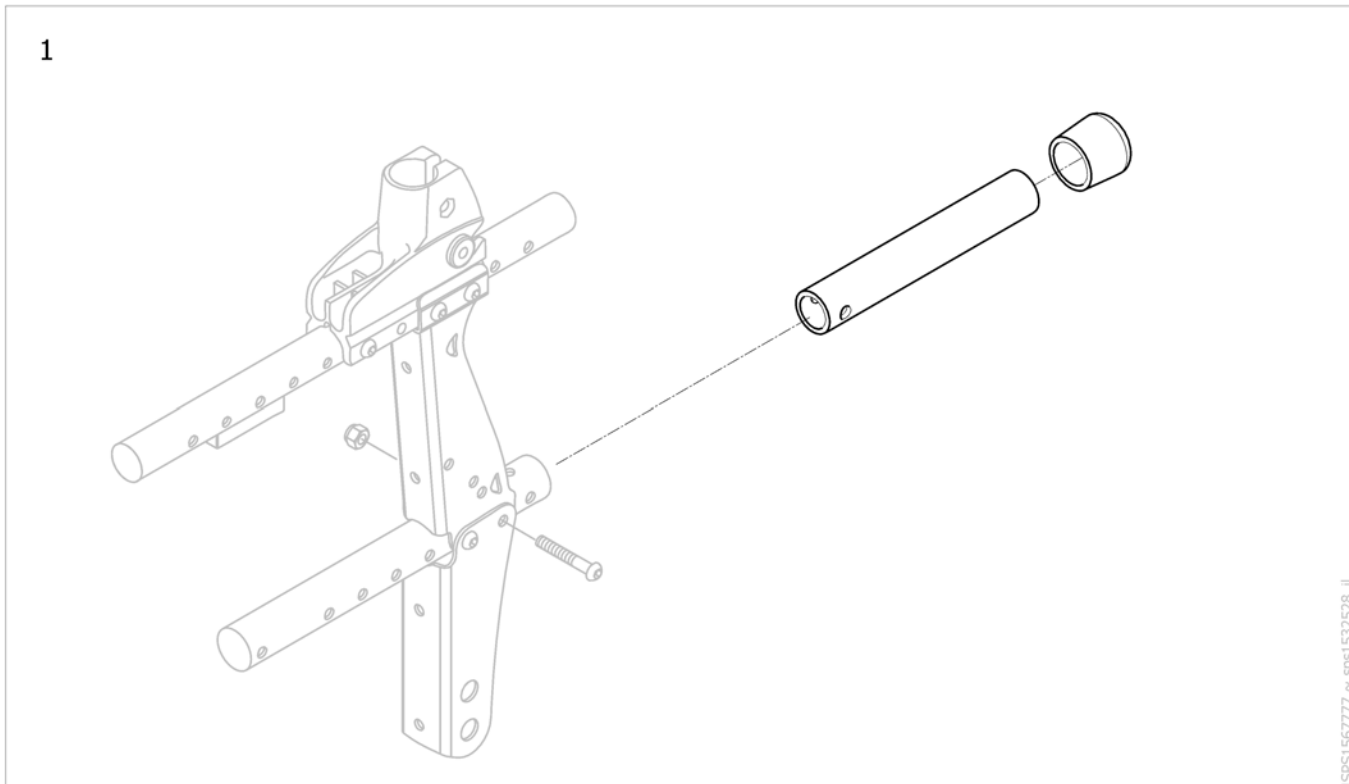
## Cane holder



ISPS1535401

Pos.	Part number	Description	Valid from → until	Qty
1	0572-02056	Cane holder		1
2	1568838	Cane Holder Esprit Clem		1

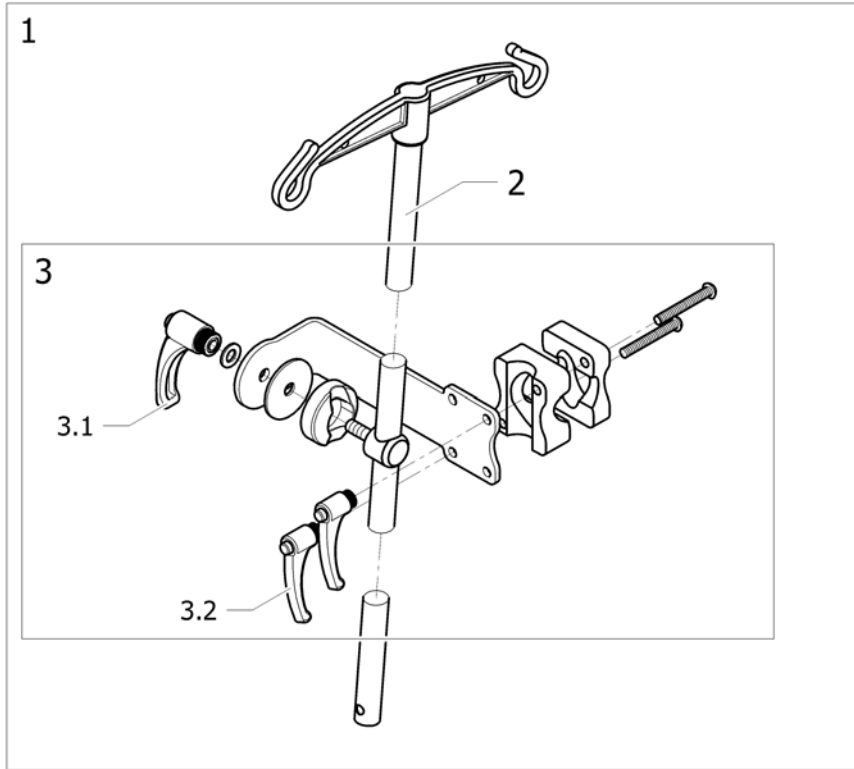
# Tipping aid Transit



Pos.	Part number	Description	Valid from → until	Qty
1	1535366	Kit tipping aid A2NG Transit		2



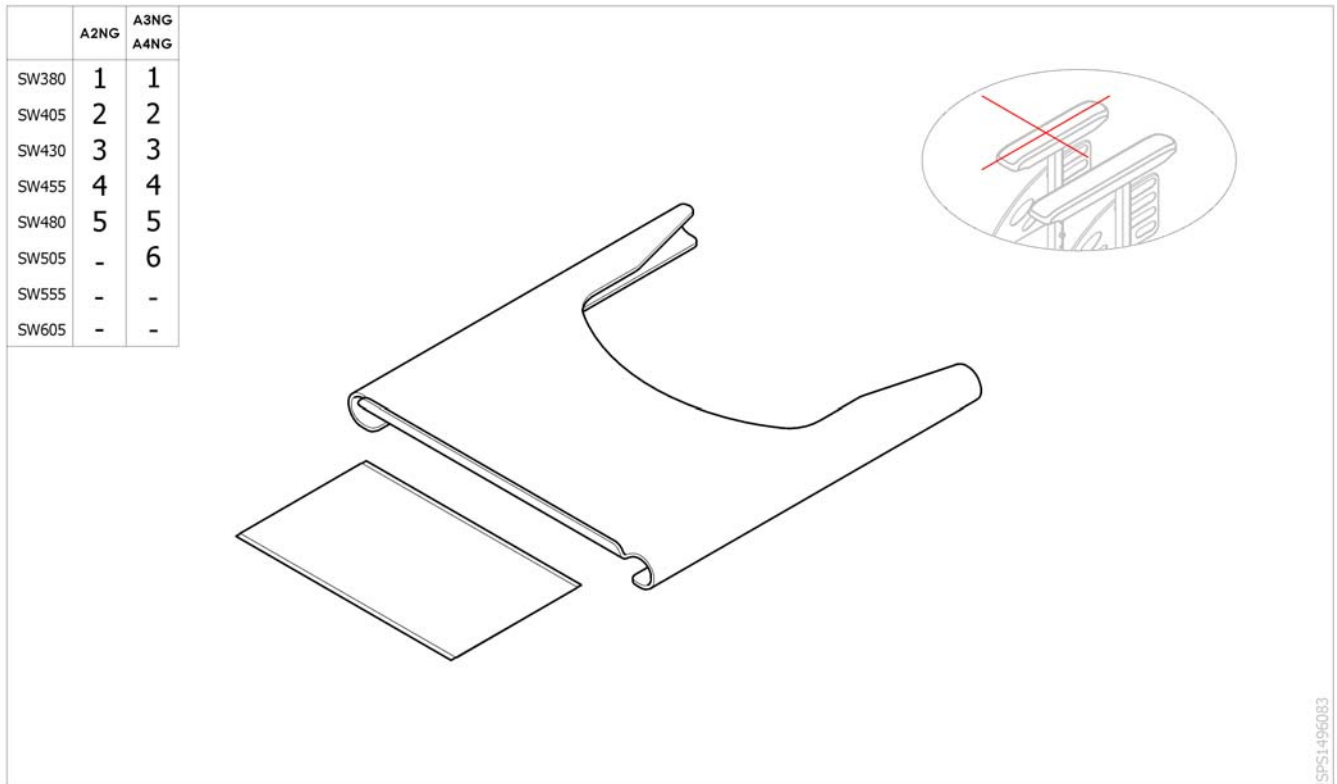
# Dripstand



!SPS!535040

Pos.	Part number	Description	Valid from → until	Qty
1	1534212	Dripstand mounted on back brace		1
2	2240-06160	Dripstand		1
3	1541969	Drip stand support on backbrace		1
3.1	0021-70011	Indexable lever 63 mm M8		1
3.2	1428547	Indexable Lever; Female M6		2

## Transparent tray



Pos.	Part number	Description	Valid from → until	Qty
1	1450921	Transparent tray Action with anti-slip mat SW380 mm		1
2	1450922	Transparent tray Action with anti-slip mat SW405 mm		1
3	1450923	Transparent tray Action with anti-slip mat SW430 mm		1
4	1450924	Transparent tray Action with anti-slip mat SW455 mm		1
5	1450925	Transparent tray Action with anti-slip mat SW480 mm		1
6	1450926	Transparent tray Action with anti-slip mat SW505 mm		1





Yes, you can.®



---

**Belgium & Luxemburg:**

Invacare nv, Autobaan 22, B-8210 Loppem  
Tel: (32) (0)50 83 10 10, Fax: (32) (0)50 83 10 11  
belgium@invacare.com / www.invacare.be

**Denmark:**

Invacare A/S, Sdr. Ringvej 37, DK-2605 Brøndby  
Tel: (45) (0)36 90 00 00, Fax: (45) (0)36 90 00 01  
denmark@invacare.com / www.invacare.dk

**Deutschland:**

Invacare Aquatec GmbH, Alemannenstraße 10, D-88316 Isny  
Tel: (49) (0)75 62 7 00 0, Fax: (49) (0)75 62 7 00 66  
info@invacare-aquatec.com / www.invacare-aquatec.de

**European Distributor Organisation:**

Invacare, Kleiststraße 49, D-32457 Porta Westfalica  
Tel: (49) (0)57 31 754 540, Fax: (49) (0)57 31 754 541  
edo@invacare.com / www.invacare.eu.com

**España:**

Invacare SA, c/Areny s/n, Polígon Industrial de Celrà, E-17460 Celrà (Girona)  
Tel: (34) (0)972 49 32 00, Fax: (34) (0)972 49 32 20  
contactsp@invacare.com / www.invacare.es

**France:**

Invacare Poirier SAS, Route de St Roch, F-37230 Fondettes  
Tel: (33) (0)2 47 62 64 66, Fax: (33) (0)2 47 42 12 24  
contactfr@invacare.com / www.invacare.fr

**Ireland:**

Invacare Ireland Ltd, Unit 5 Seatown Business Campus, Seatown Road, Swords, County Dublin - Ireland  
Tel: (353) 1 810 7084, Fax: (353) 1 810 7085  
ireland@invacare.com / www.invacare.ie

**Italia:**

Invacare Mecc San s.r.l., Via dei Pini 62, I-36016 Thiene (VI)  
Tel: (39) 0445 38 00 59, Fax: (39) 0445 38 00 34  
italia@invacare.com / www.invacare.it

**Nederland:**

Invacare BV, Celsiusstraat 46, NL-6716 BZ Ede  
Tel: (31) (0)318 695 757, Fax: (31) (0)318 695 758  
nederland@invacare.com, csede@invacare.com / www.invacare.nl

**Norge:**

Invacare AS, Grensesvingen 9, Postboks 6230, Etterstad, N-0603 Oslo  
Tel: (47) (0)22 57 95 00, Fax: (47) (0)22 57 95 01  
norway@invacare.com, island@invacare.com / www.invacare.no

**Österreich:**

Invacare Austria GmbH, Herzog Odilostrasse 101, A-5310 Mondsee  
Tel: (43) 6232 5535 0, Fax: (43) 6232 5535 4  
info-austria@invacare.com / www.invacare.at

**Portugal:**

Invacare Lda, Rua Estrada Velha, 949, P-4465-784 Leça do Balio  
Tel: (351) (0)225 1059 46/47, Fax: (351) (0)225 1057 39  
portugal@invacare.com / www.invacare.pt

**Sverige & Suomi:**

Invacare AB, Fagerstagatan 9, S-163 91 Spånga  
Tel: (46) (0)8 761 70 90, Fax: (46) (0)8 761 81 08  
sweden@invacare.com, finland@invacare.com / www.invacare.se

**Switzerland:**

Invacare AG, Benkenstrasse 260, CH-4108 Witterswil  
Tel: (41) (0)61 487 70 80, Fax: (41) (0)61 487 70 81  
switzerland@invacare.com / www.invacare.ch

**United Kingdom:**

Invacare Limited, Pencoed Technology Park, Pencoed, Bridgend CF35 5AQ  
Switchboard Tel: (44) (0)1656 776200, Fax: (44) (0)1656 776201  
Customer services Tel: (44) (0)1656 776222, Fax: (44) (0)1656 776220  
uk@invacare.com / www.invacare.co.uk