

Spare Parts Catalogue

Version: 2015/08/27a EN



Invacare® *Action*[!]_{NG}



Yes, you can.®

General Information

For any order of spare parts the following information is required:

- Product type*
- Product name & model*
- Serial Number*
- Part-Number*
- Part-Description*

Exploded view drawings and code numbers are not contractual and subject to modification, in relation to Invacare® continuous product improvement policy to meet end users needs.

The reproduction or use of this work, or of any substantial part of this work, in any form or by any electronic, mechanical or other means, including photocopying, scanning and recording, and in any information storage and retrieval system, including electronic transmission, is forbidden without the prior written permission of Invacare® International Sarl.



Yes, you can.®

TABLE OF CONTENTS

Information

Abbreviations	7
---------------------	---

Chassis

Chassis	8
Frames	9
Folding system	10
Additional crossbrace 2014.09.30=>	11

Seat

Seat	12
Seat upholstery	13
Seat upholstery - Vinyl	14
Toilet seat	15

Backrest

Backrest	16
Backrest post - Fixed	17
Backrest post - Folding	18
Recliner Backrest 0° To 30°,BH 430 mm Ratchet Action 1 NG	19
Backrest upholstery - Standard	20
Backrest upholstery - Vinyl	21
Backrest upholstery - Open	22

Legrests

Legrests	23
Fixed hanger 80° Steel	24
Fixed hanger 80°	25
Assembly legrest cplte Eco with footrest	26
Adjustable legrest hardware Eco	27
Elevating legrest	28
Calf pad Eco	29
Calf Pad	30
Amputee Legrest	31

Footrests

Footrests	32
Footrest Eco Action NG	33
Fixed footrest	34
Footrest	35
Angle and depth adjustable footrest	36
Angle and depth adjustable footrest Eco	37

Siderests

Siderests	38
Armrest - fixed space saver - short armpad	39
Armrest - fixed - long armpad	40



Yes, you can.®

TABLE OF CONTENTS

Front wheels

Front wheels	41
Forks	42
Front wheels	43

Rear wheels

Rear wheels	44
24" standard wheels	45
24" standard wheels accessories	46
24" hub brake wheels	47
Quick release axle dia 12 Action	48
12" transit wheels	49
Rear wheel transit supports for manual brakes 2013/10=>	50
Rear wheel transit supports for manual brakes =>2013/10	51
Rear wheel supports	52
Pump	53

Brakes

Brakes	54
Push brakes	55
Hub Brakes	56

Safety options

Safety options	57
Belts	58
Rear anti-tipper	59
Reflectors	60
Transfer kit	61
Transportation attachment kit	62

Seating options

Seating options	63
Cushions Nylon	64
Neckrest	65
Heels strap	66
Back Brace	67

Propulsion options

Propulsion options	68
Dual handrim QR axle 2014.09.29 =>	69
Dual handrim QR axle => 2014.09.28	70

Others options & accessories

Others options & accessories	71
Cane holder	72
Tipping aid	73
Dripstand	74
Transparent Tray	75

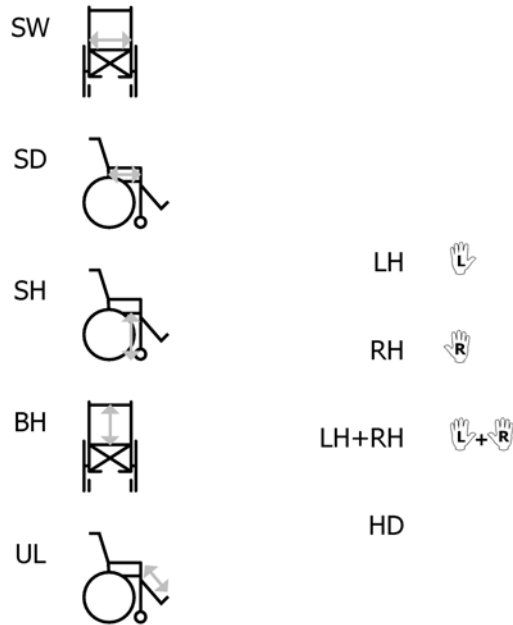


Yes, you can.®

TABLE OF CONTENTS

Tools kit	76
-----------------	----

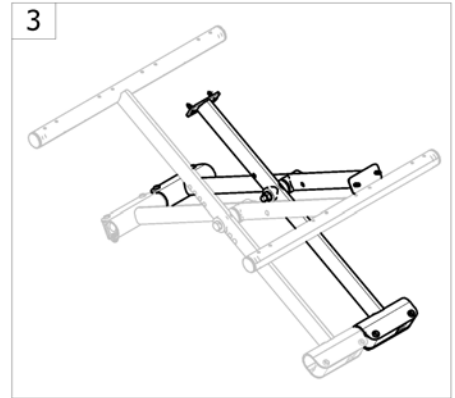
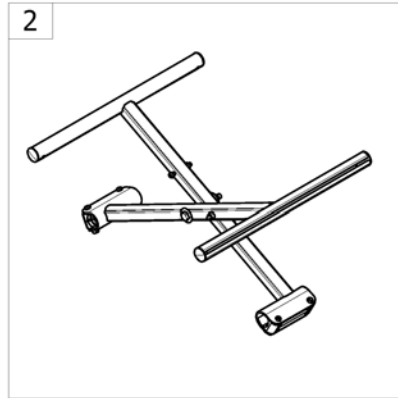
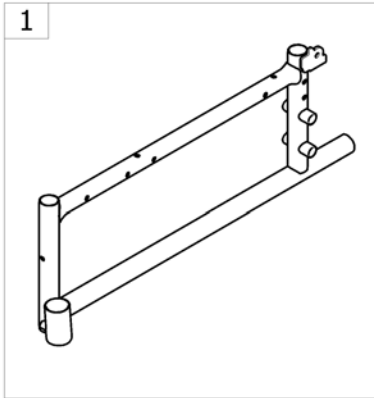
Abbreviations



SPS133721

Pos.	Part number	Description	Valid from → until	Qty
-	SW	Seat width (2 digits in cm) (3 digits in mm)		1
-	SD	Seat depth (2 digits in cm) (3 digits in mm)		1
-	SH	Seat height (2 digits in cm) (3 digits in mm)		1
-	BH	Backrest height (2 digits in cm) (3 digits in mm)		1
-	UL	Knee-to-heel height (2 digits in cm) (3 digits in mm)		1
-	LH	Left side (sitting in the wheelchair)		1
-	RH	Right side (sitting in the wheelchair)		1
-	LH+RH	An assembly of a left and a right part, referred to as "pair"		1
-	HD	Heavy duty version		1

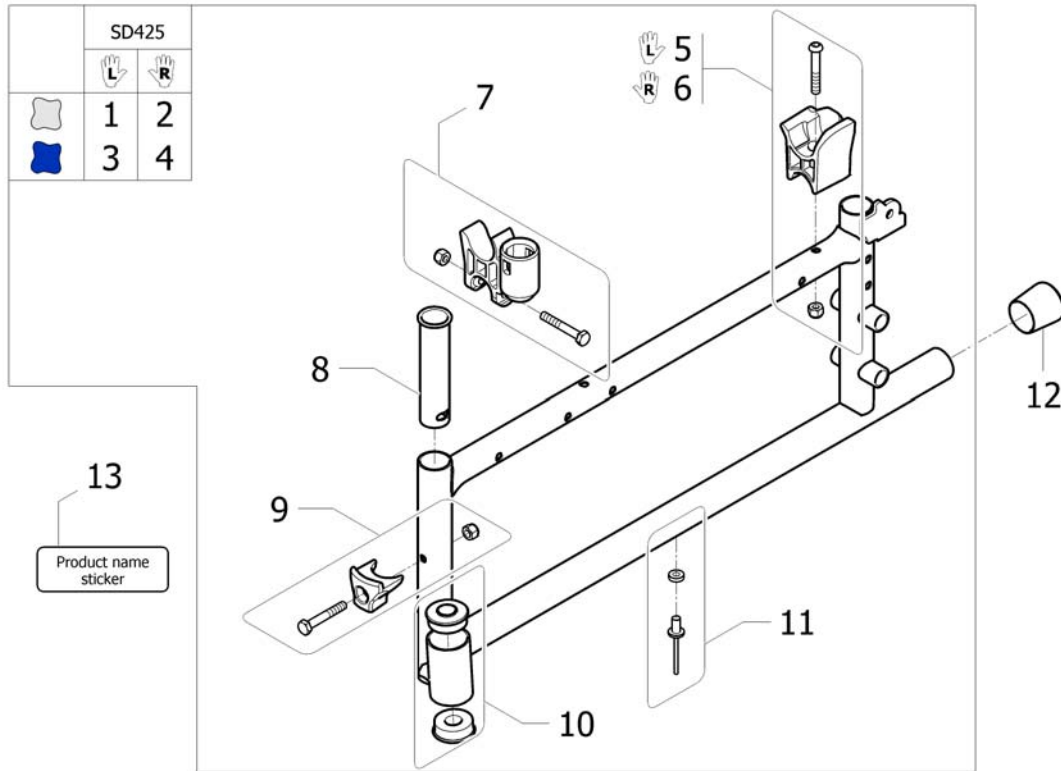
Chassis



-<SPACTIONING10

Pos.	Part number	Description	Valid from → until	Qty
1	-	Frames		1
2	-	Folding system		1
3	-	Additional crossbrace 2014.09.30=>		1

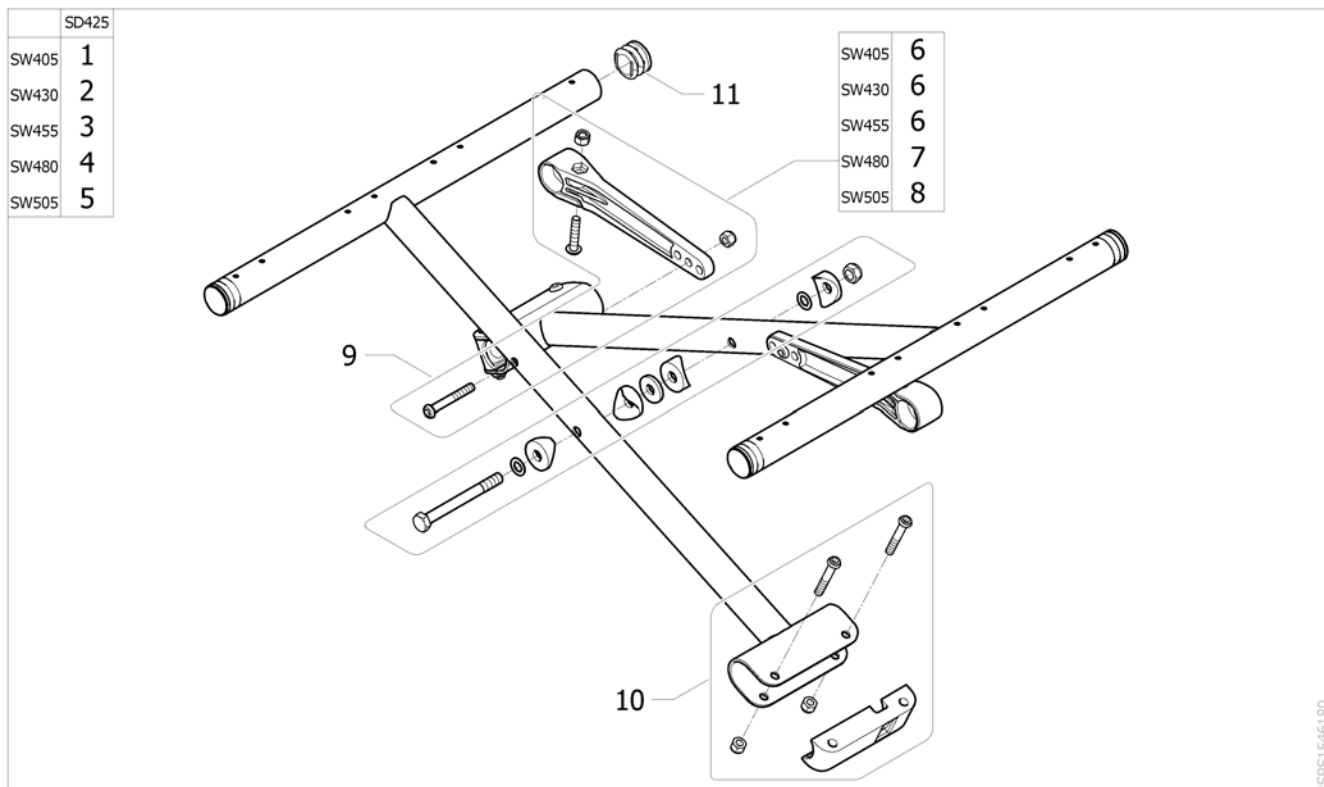
Frames



ISPS1546179

Pos.	Part number	Description	Valid from → until	Qty
1	SP1546840-0515	A1 NG side frame Lh SD425 mm Silver		1
2	SP1546841-0515	A1 NG side frame Rh SD425 mm Silver		1
3	SP1546840-0635	A1 NG side frame Lh SD425 mm Night Blue		1
4	SP1546841-0635	A1 NG side frame Rh SD425 mm Night Blue		1
5	SP1550879	Kit crossbar support clipable LH Action 1NG		1
6	SP1550880	Kit crossbar support clipable RH Action 1NG		1
7	SP1546876	Kit crossbar & armrest support clipable		2
8	SP1538118	Hanger plastic guide Action 1 NG		2
9	1430427	Kit hanger locked part		2
10	SP1546877	Kit frame/fork bearing		2
11	SP1546878	Kit frame/crossbar rivet & washer		2
12	5716276	UTV NDIG		2
13	SP1541930	Product name sticker Action 1 NG		2

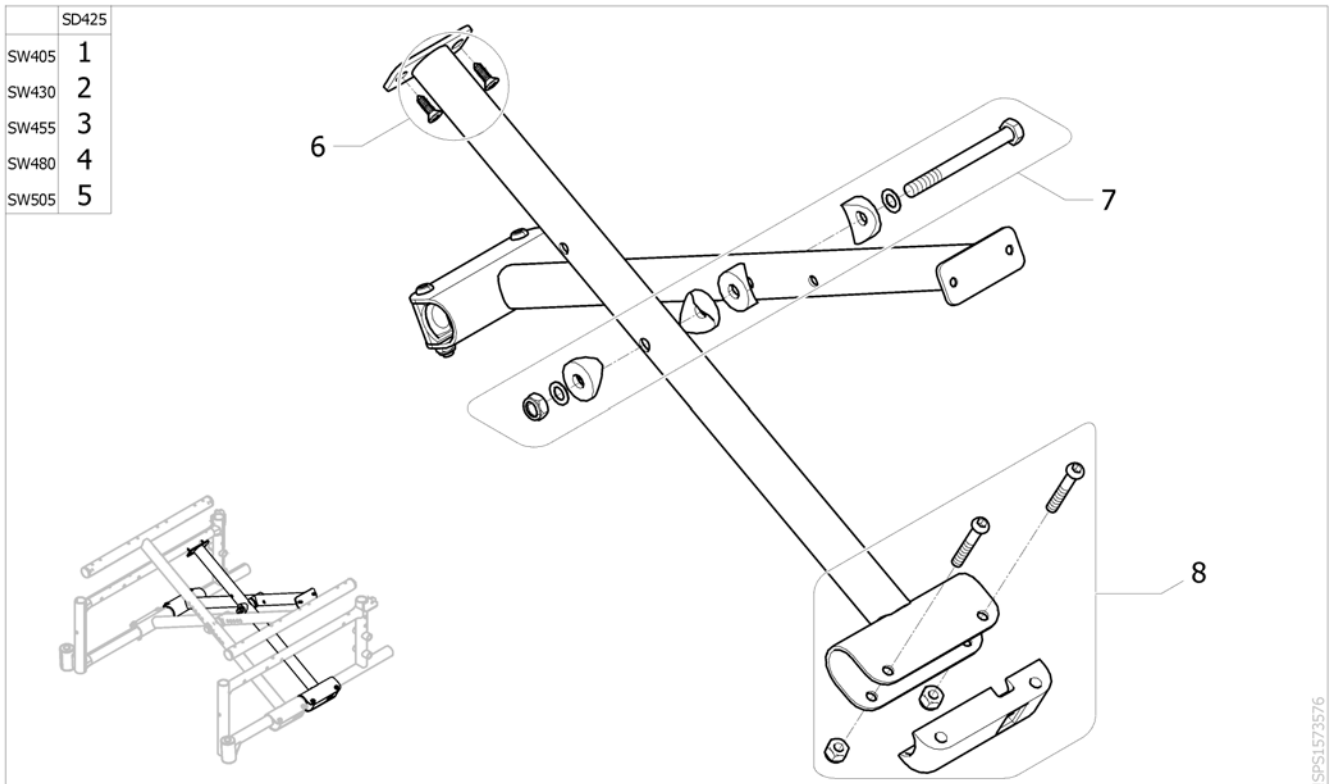
Folding system



ISPS1546180

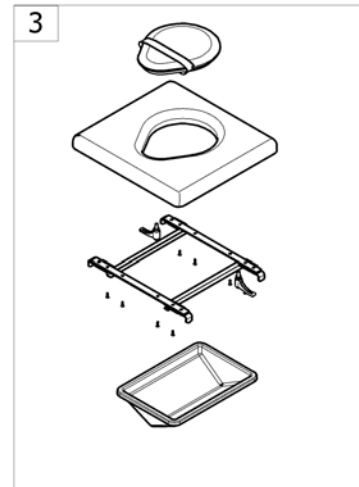
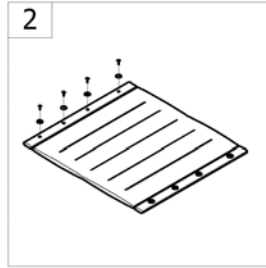
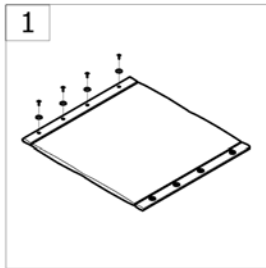
Pos.	Part number	Description	Valid from → until	Qty
1	SP1543198	A1 NG Cross Brace Complete (Pair) SW405 x SD425 mm		1
2	SP1543199	A1 NG Cross Brace Complete (Pair) SW430 x SD425 mm		1
3	SP1543200	A1 NG Cross Brace Complete (Pair) SW455 x SD425 mm		1
4	SP1543201	A1 NG Cross Brace Complete (Pair) SW480 x SD425 mm		1
5	SP1543202	A1 NG Cross Brace Complete (Pair) SW505 x SD425 mm		1
6	SP1546743	Cross Brace Strut SW405/430/455 mm		2
7	SP1546744	Cross Brace Strut SW480 mm		2
8	SP1546801	Cross Brace Strut SW505 mm		2
9	SP1546730	A1 NG Cross Brace Axle Kit		1
10	SP1546731	A1 NG Cross Brace Sleeve		2
11	0021-20036	Black 25 mm fine cylindrical cap		4

Additional crossbrace 2014.09.30=>



Pos.	Part number	Description	Valid from → until	Qty
1	1572454	Additional crossbrace kit SW405 mm Action 1NG		1
2	1572536	Additional crossbrace kit SW430 mm Action 1NG		1
3	1572537	Additional crossbrace kit SW455 mm Action 1NG		1
4	1572538	Additional crossbrace kit SW480 mm Action 1NG		1
5	1572539	Additional crossbrace kit SW505 mm Action 1NG		1
6	1561661	Kit screws fixation armrest (x6)		1
7	SP1574036	Kit additional crossbar axle		1
8	SP1546731	A1 NG Cross Brace Sleeve		1

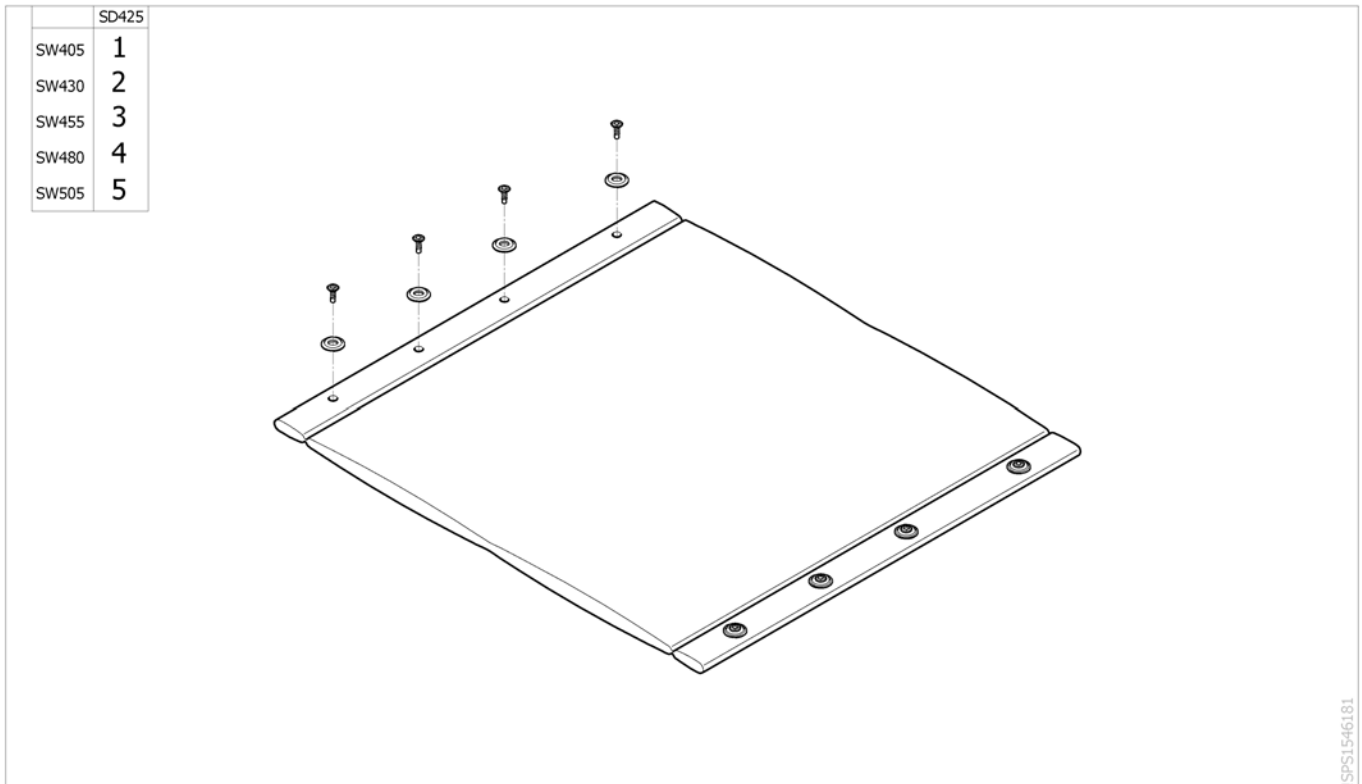
Seat



-<SPCACTION1NG20

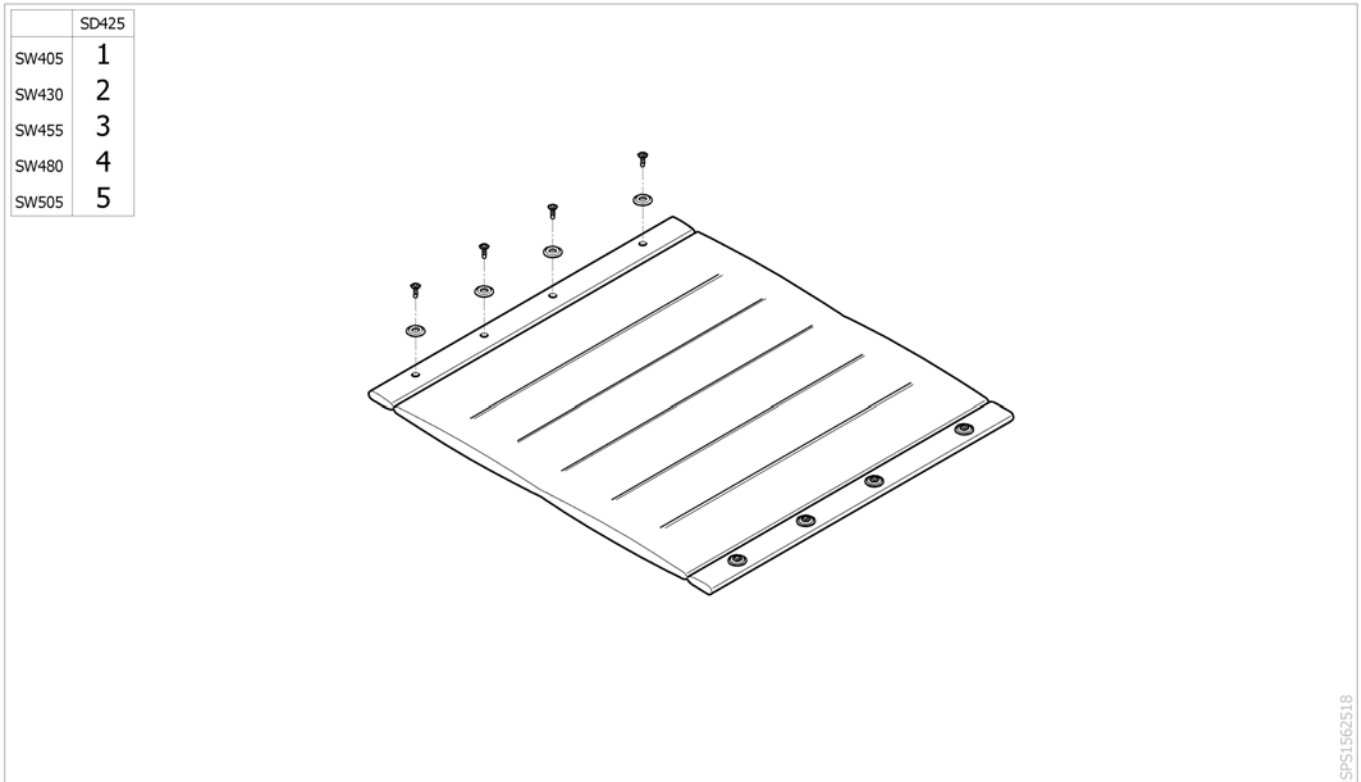
Pos.	Part number	Description	Valid from → until	Qty
1	-	Seat upholstery [SB_0350]		1
2	-	Seat upholstery - Vinyl [SB_0335]		1
3	-	Toilet seat [SB_0351]		1

Seat upholstery



Pos.	Part number	Description	Valid from → until	Qty
1	SP1546879	A1 NG Standard Seat Upholstery SW405 x SD425 mm		1
2	SP1546908	A1 NG Standard Seat Upholstery SW430 x SD425 mm		1
3	SP1546932	A1 NG Standard Seat Upholstery SW455 x SD425 mm		1
4	SP1546969	A1 NG Standard Seat Upholstery SW480 x SD425 mm		1
5	SP1546970	A1 NG Standard Seat Upholstery SW505 x SD425 mm		1

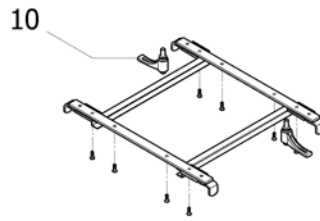
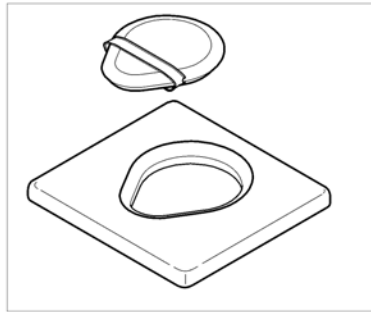
Seat upholstery - Vinyl



Pos.	Part number	Description	Valid from → until	Qty
1	1562206	A1 NG Standard vinyl Seat Upholstery SW405 x SD425 mm		1
2	1562207	A1 NG Standard vinyl Seat Upholstery SW430 x SD425 mm		1
3	1562208	A1 NG Standard vinyl Seat Upholstery SW455 x SD425 mm		1
4	1562209	A1 NG Standard vinyl Seat Upholstery SW480 x SD425 mm		1
5	1562210	A1 NG Standard vinyl Seat Upholstery SW505 x SD425 mm		1

Toilet seat

	Action 3NG		Action 4NG		Action 1NG	Action 2NG
	SD400	SD450	SD400	SD450	SD400	SD400
SW380	1	4	1	-	-	1
SW405	1	4	1	-	1	1
SW430	2	-	2	-	2	2
SW455	2	-	2	-	2	2
SW480	3	-	3	-	3	3
SW505	3	-	-	-	3	-

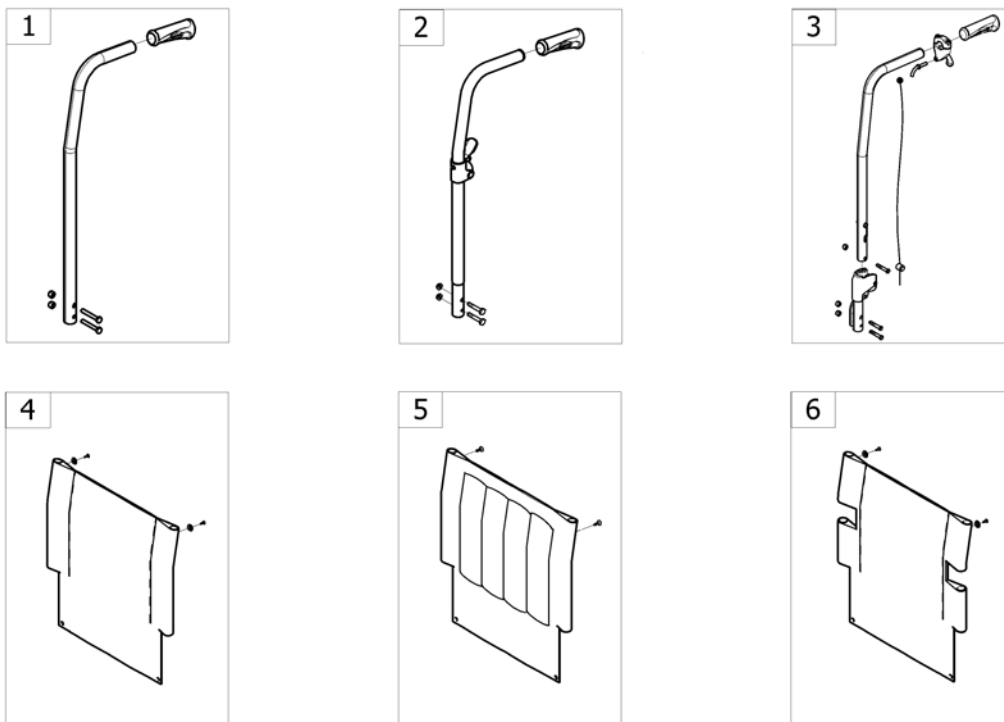


	Action 3NG		Action 4NG		Action 1NG	Action 2NG
	SD400	SD450	SD400	SD450	SD400	SD400
SW380	5	8	5	-	-	5
SW405	5	8	5	-	5	5
SW430	6	-	6	-	6	6
SW455	6	-	6	-	6	6
SW480	7	-	7	-	7	7
SW505	7	-	-	-	7	-

ISPS1548795

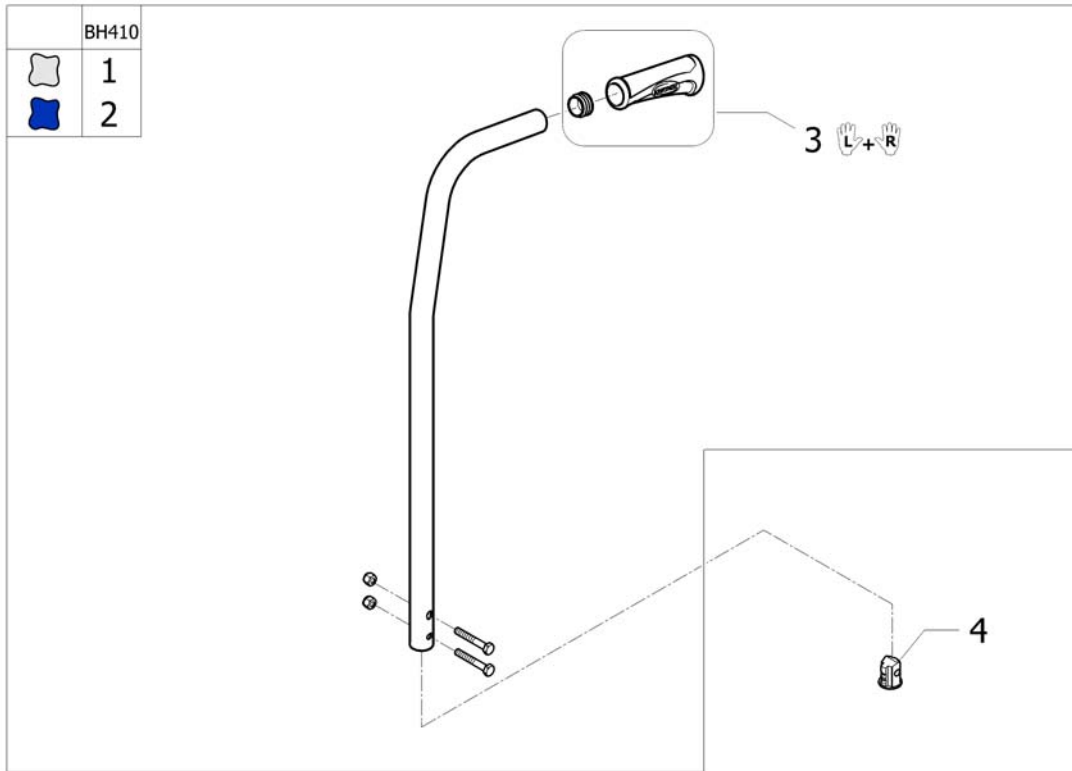
Pos.	Part number	Description	Valid from → until	Qty
1	AP1543295	Kit toilet seat Action NG SD400 x SW380-410 mm		1
2	AP1543296	Kit toilet seat Action NG SD400 x SW430-455 mm		1
3	AP1543297	Kit toilet seat Action NG SD400 x SW480-510 mm		1
4	AP1543298	Kit toilet seat Action NG SD450 x SW380-405 mm		1
5	1548372	Kit toilet seat cushions Action NG SD400 SW380-410 mm		1
6	1548373	Kit toilet seat cushions Action NG SD400 SW430-455 mm		1
7	1548374	Kit toilet seat cushions Action NG SD400 SW480-510 mm		1
8	1548375	Kit toilet seat cushions Action NG SD450 SW380-405 mm		1
9	1548378	Toilet seat bowl Action NG SD400 mm		1
10	0021-70002	Indexable lever 63mm M8x16		2

Backrest



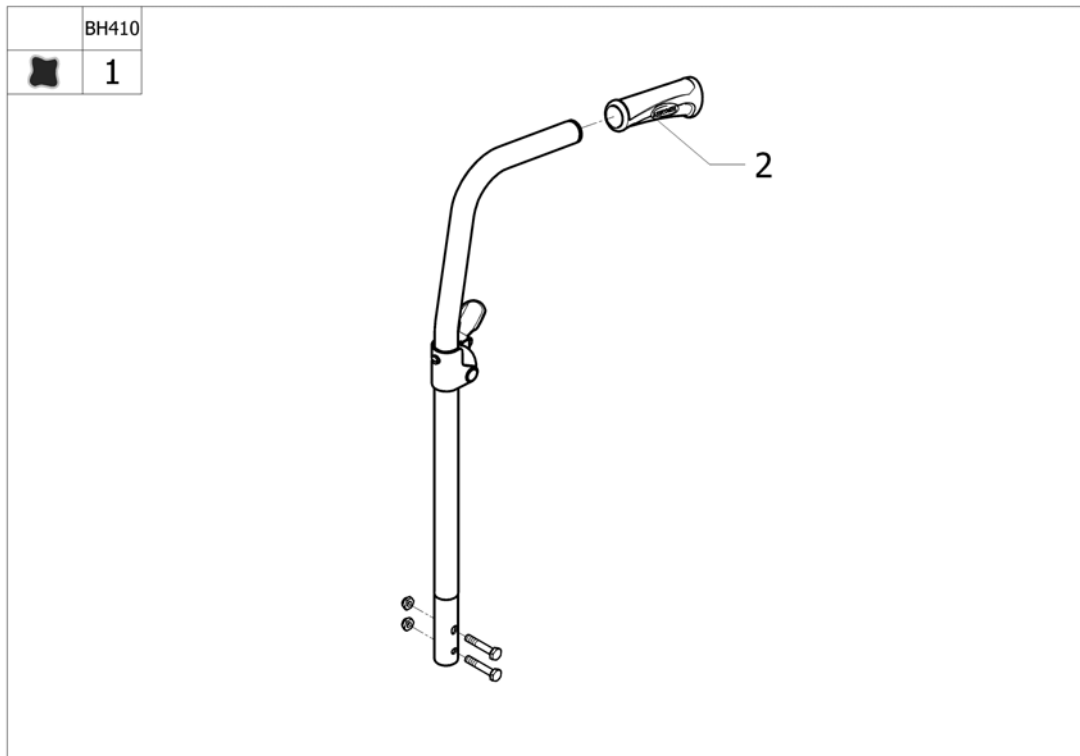
-<SPACTIONING10

Pos.	Part number	Description	Valid from → until	Qty
1	-	Backrest post - Fixed [SB_0410]		1
2	-	Backrest post - Folding [SB_0420]		1
3	-	Recliner Backrest 0° To 30°,BH 430 mm Ratchet Action 1 NG [SB_0430]		1
4	-	Backrest upholstery - Standard [SB_0471]		1
5	-	Backrest upholstery - Vinyl [SB_0475]		1
6	-	Backrest upholstery - Open		1



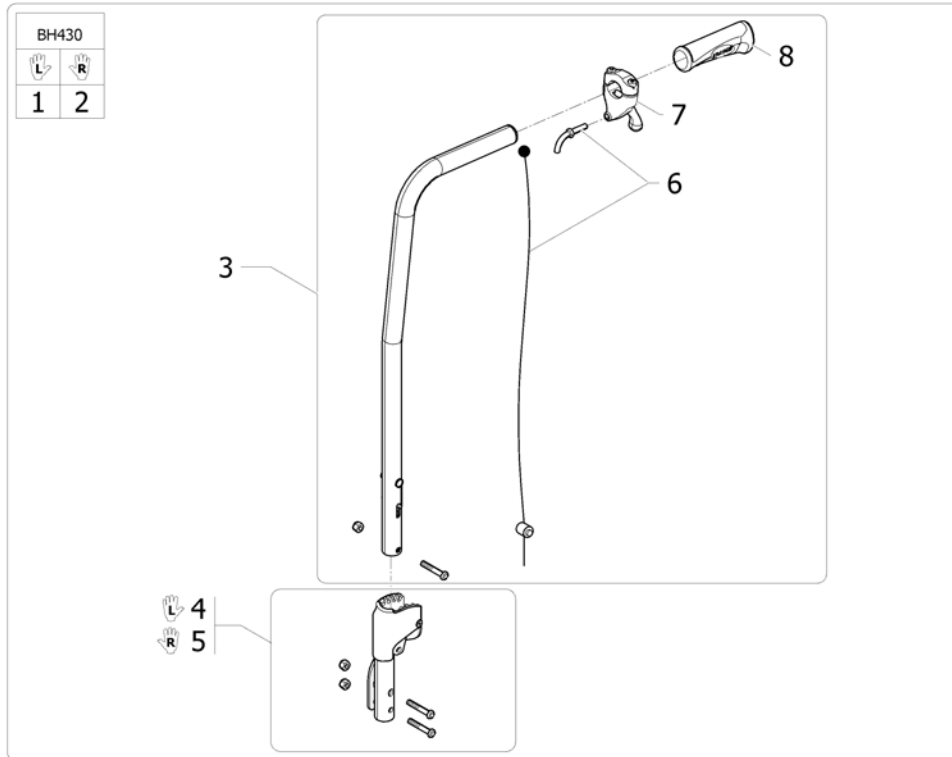
Pos.	Part number	Description	Valid from → until	Qty
1	SP1546971-0515	Kit backrest post A1 NG BH410 mm Silver [SB_0410]		2
2	SP1546972-0635	Kit backrest post A1 NG BH410 mm Night Blue [SB_0410]		2
3	SP1021261	Handle backrest + Insert (pair) A1 NG		2
4	SP1056551	Insert cane rear	→ 2011-12-31	2

Backrest post - Folding



Pos.	Part number	Description	Valid from → until	Qty
1	SP1554639	Kit folding backrest Action 1 NG BH410mm black		2
2	1425473	Handle Invacare for backrest Ø22mm		2

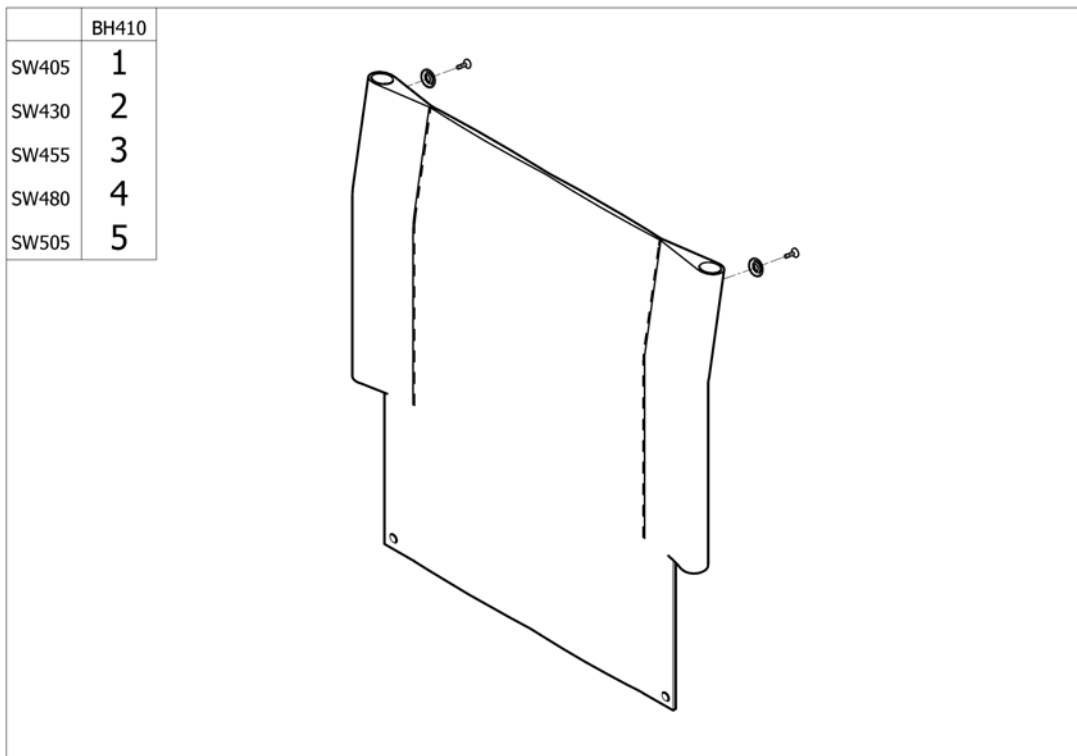
Recliner Backrest 0° To 30°,BH 430 mm Ratchet Action 1 NG



ISPS1560347 ~ sps1560347---

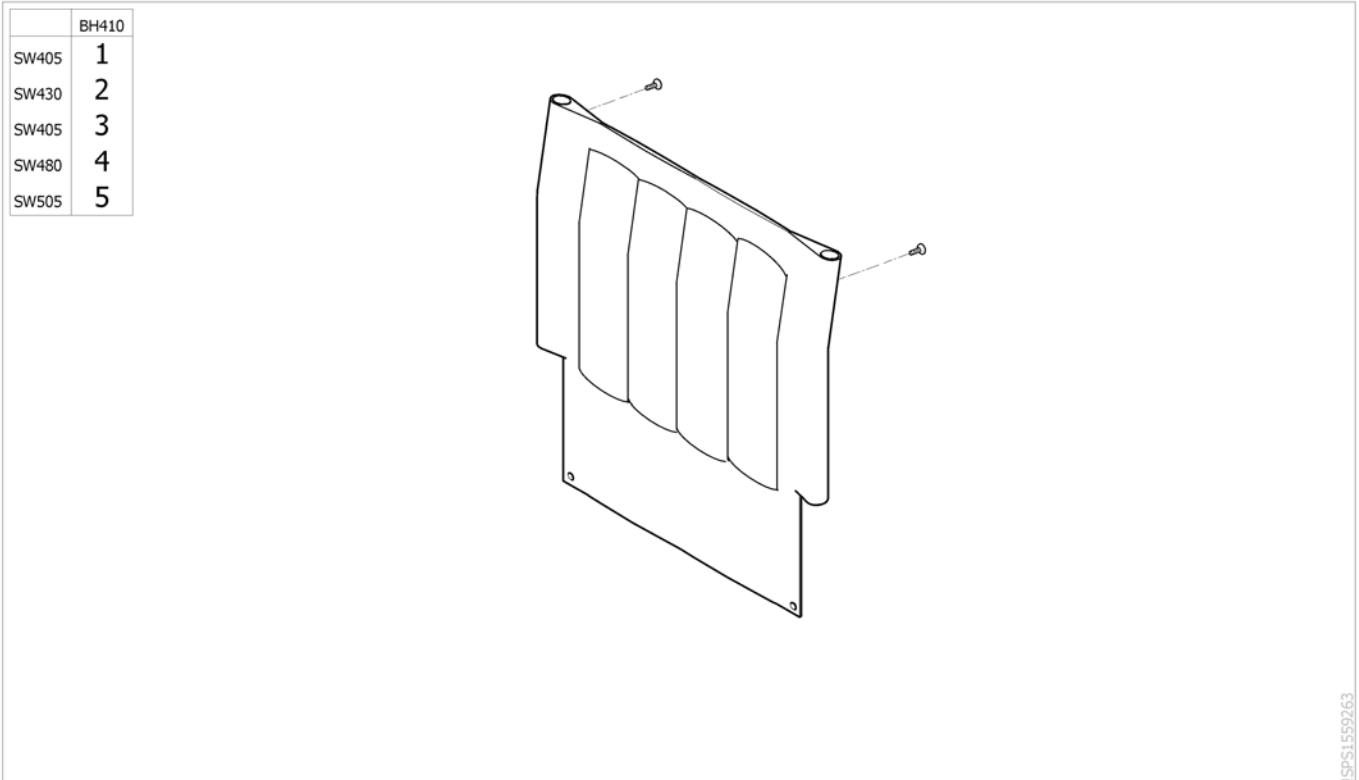
Pos.	Part number	Description	Valid from → until	Qty
1	1560855	LH Recliner backrest ratchet 0° to 30°cane kit SH 430 mm		1
2	1562213	RH Recliner backrest ratchet 0° to 30°cane kit SH 430 mm		1
3	1434491	Backrest tube recliner ratchet 0° to 30° SH350-370-390-410-430 (Unite)		2
4	1560760	Lh Recliner Backrest Support Kit Action 1 NG		1
5	1560761	Rh Recliner Backrest Support Kit Action 1 NG		1
6	1430851	Recliner backrest cable Kit		2
7	1433747	Recliner backrest trigger		2
8	1425473	Handle Invacare for backrest Ø22mm		2

Backrest upholstery - Standard



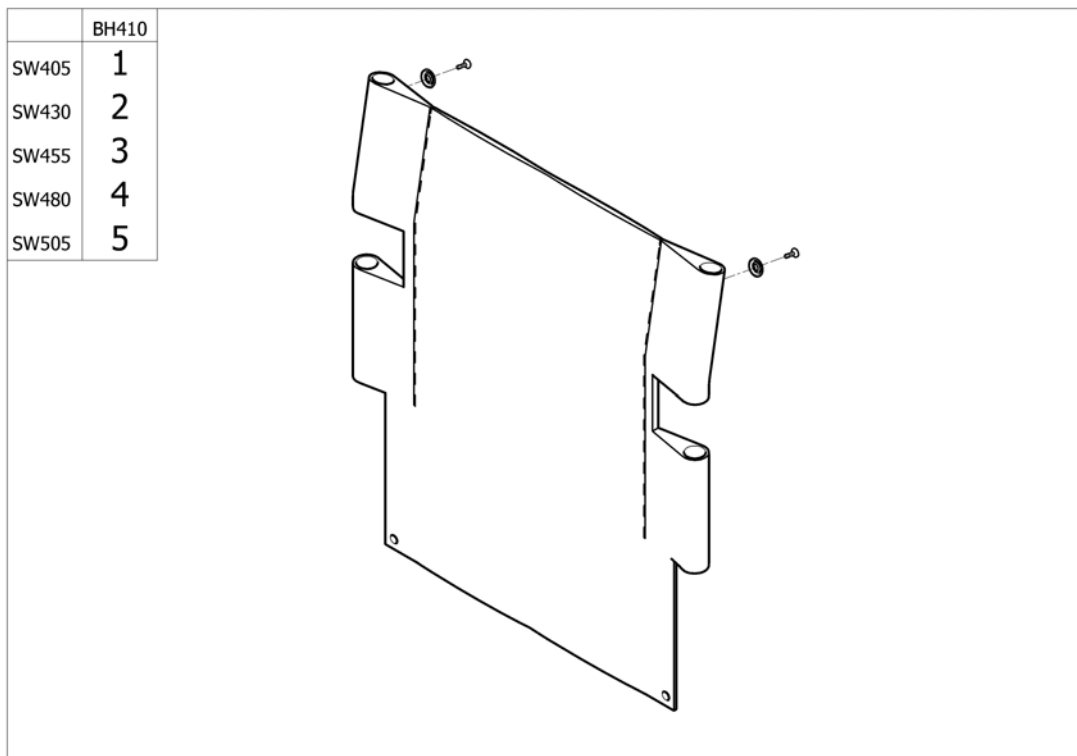
Pos.	Part number	Description	Valid from → until	Qty
1	SP1546974	A1 NG backrest upholstery standard SW405 x BH410 mm [SB_0471]		1
2	SP1547018	A1 NG backrest upholstery standard SW430 x BH410 mm [SB_0471]		1
3	SP1547039	A1 NG backrest upholstery standard SW455 x BH410 mm [SB_0471]		1
4	SP1547073	A1 NG backrest upholstery standard SW480 x BH410 mm [SB_0471]		1
5	SP1547312	A1 NG backrest upholstery standard SW505 x BH410 mm [SB_0471]		1

Backrest upholstery - Vinyl



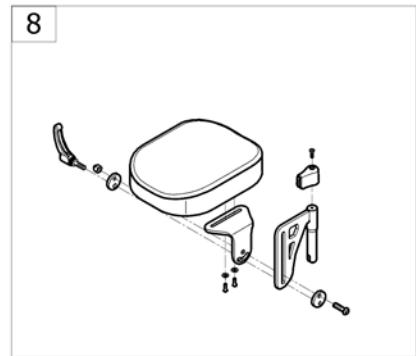
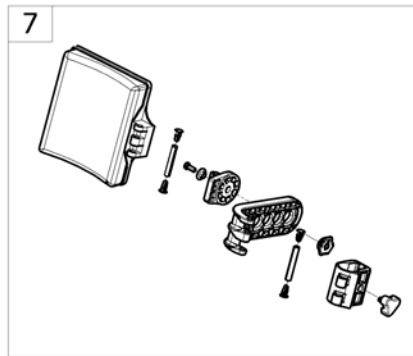
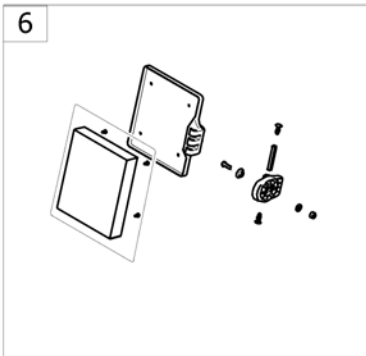
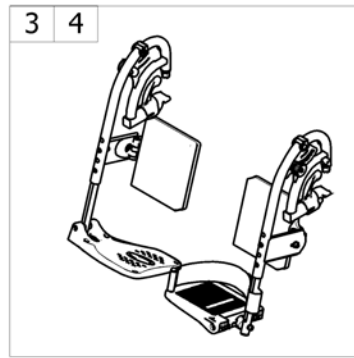
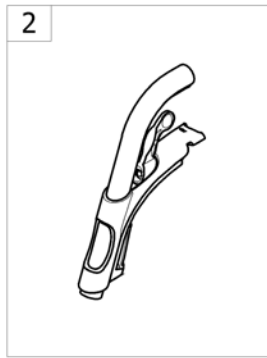
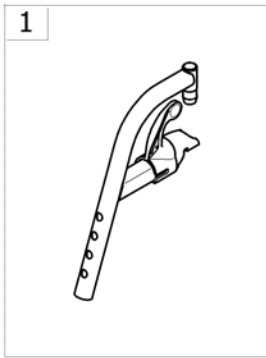
Pos.	Part number	Description	Valid from → until	Qty
1	1562200	A1 NG backrest upholstery standard vinyl SW405 x BH410 mm		1
2	1562201	A1 NG backrest upholstery standard vinyl SW430 x BH410 mm		1
3	1562202	A1 NG backrest upholstery standard vinyl SW455 x BH410 mm		1
4	1562203	A1 NG backrest upholstery standard vinyl SW480 x BH410 mm		1
5	1562204	A1 NG backrest upholstery standard vinyl SW505 x BH410 mm		1

Backrest upholstery - Open



Pos.	Part number	Description	Valid from → until	Qty
1	SP1554650	A1 NG backrest upholstery open SW405 x BH 410 mm		1
2	SP1554651	A1 NG backrest upholstery open SW430 x BH 410 mm		1
3	SP1554652	A1 NG backrest upholstery open SW455 x BH 410 mm		1
4	SP1554653	A1 NG backrest upholstery open SW480 x BH 410 mm		1
5	SP1554654	A1 NG backrest upholstery open SW505 x BH 410 mm		1

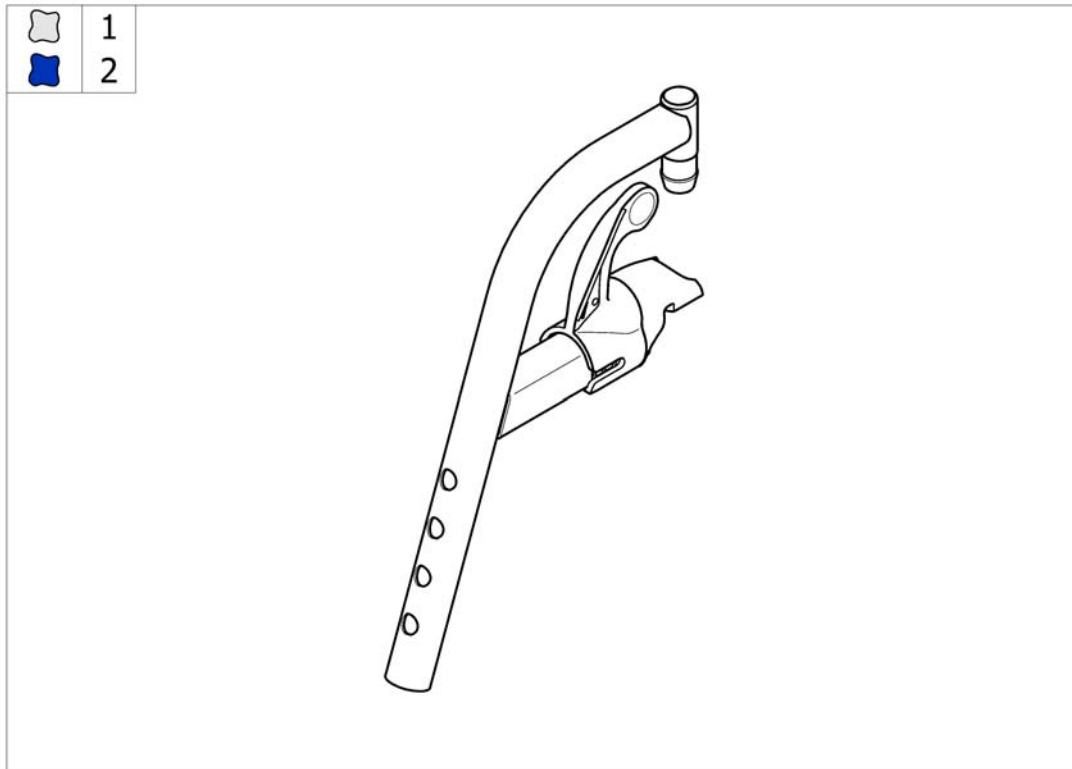
Legrests



-<SPACTIONING30

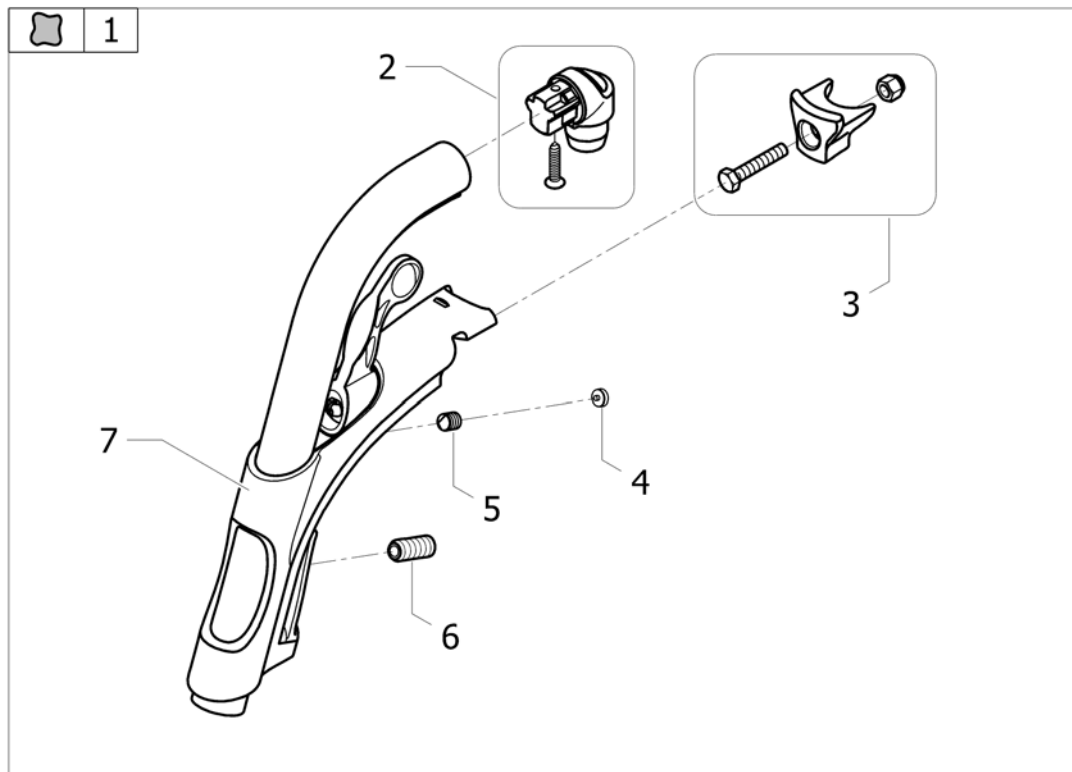
Pos.	Part number	Description	Valid from → until	Qty
1	-	Fixed hanger 80° Steel		1
2	-	Fixed hanger 80°		1
3	-	Assembly legrest cplte Eco with footrest		1
4	-	Adjustable legrest hardware Eco		1
5	-	Elevating legrest		1
6	-	Calf pad Eco		1
7	-	Calf Pad		1
8	-	Amputee Legrest		1

Fixed hanger 80° Steel



Pos.	Part number	Description	Valid from → until	Qty
1	SP1547491-0515	Kit fixed hanger 80° A1 NG Silver		2
2	SP1547491-0635	Kit fixed hanger 80° A1 NG Night Blue		2

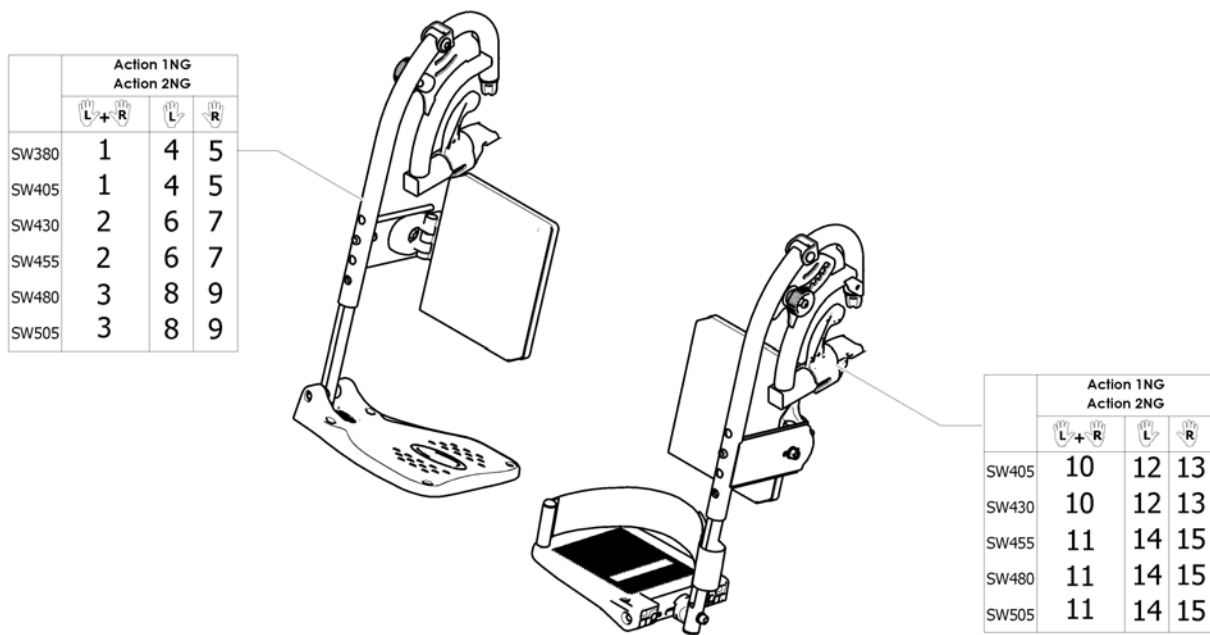
Fixed hanger 80°



ISPS1550364

Pos.	Part number	Description	Valid from → until	Qty
1	1428622-0515	Footrest hanger 80° Pearl Grey		2
2	1430426	Hanger pivot kit		2
3	1430427	Kit hanger locked part		2
4	1434070	Key cap Key		2
5	1424572	Screw stop M10x12		2
6	1424571	Screw stop M10x23		2
7	1434362	Hanger support complete (Alu Pin)		2

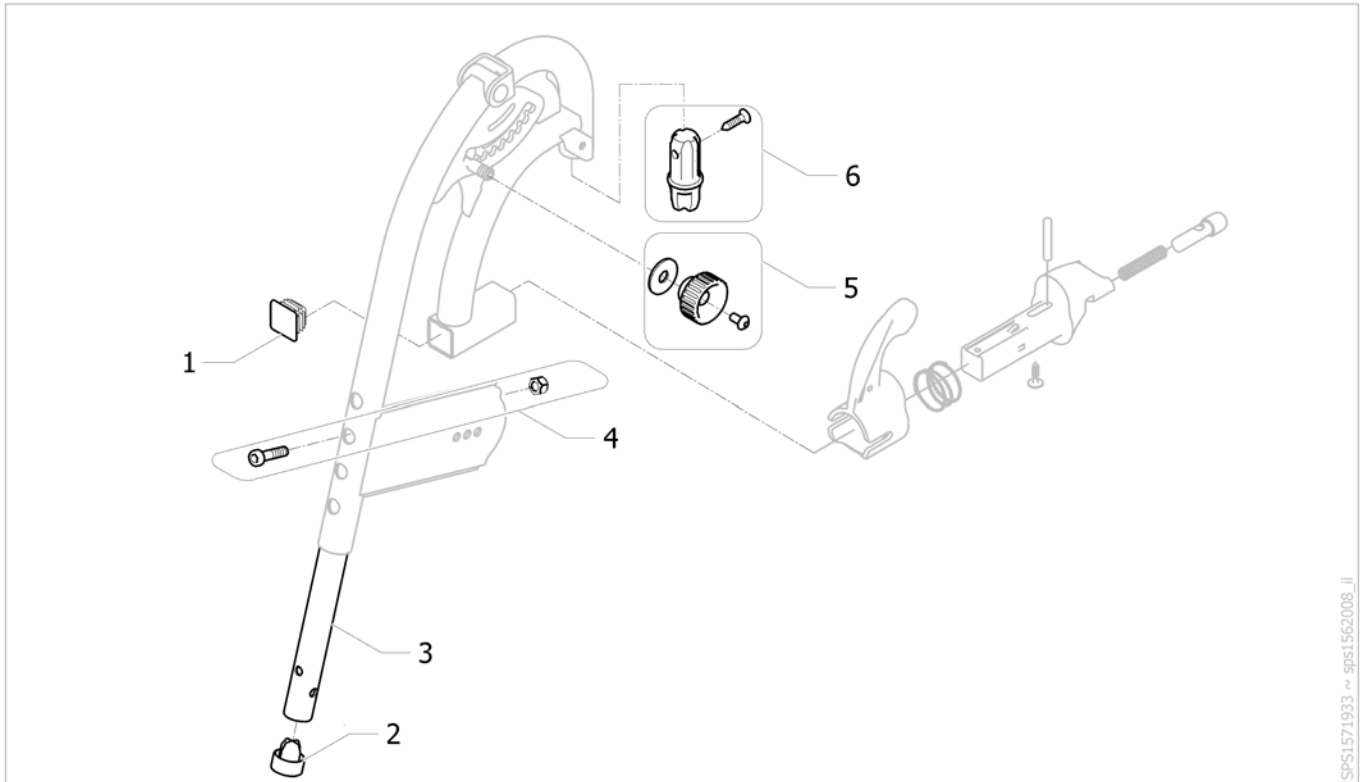
Assembly legrest cplte Eco with footrest



ISPS1571994 ~ sps1562008

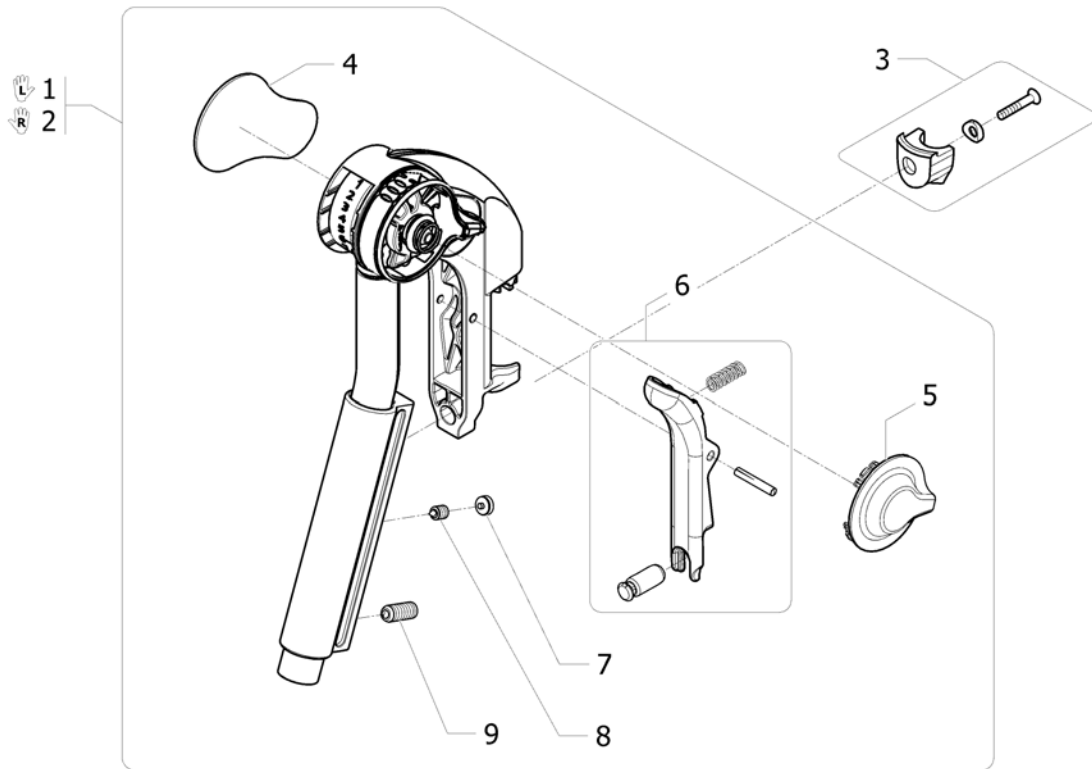
Pos.	Part number	Description	Valid from → until	Qty
1	1562005	Pair of legrest Eco Fixed Footplate SW380/405 mm Action NG		1
2	1562006	Pair of legrest Eco Fixed Footplate SW430/455 mm Action NG		1
3	1562007	Pair of legrest Eco Fixed Footplate SW480/505 mm Action NG		1
4	1562008	Lh Elevating Legrest Eco Fixed Footplate SW380/405 mm Action NG		1
5	1562037	Rh Elevating Legrest Eco Fixed Footplate SW380/405 mm Action NG		1
6	1562038	Lh Elevating Legrest Eco Fixed Footplate SW430/455 mm Action NG		1
7	1562039	Rh Elevating Legrest Eco Fixed Footplate SW430/455 mm Action NG		1
8	1562040	Lh Elevating Legrest Eco Fixed Footplate SW480/505 mm Action NG		1
9	1562041	Rh Elevating Legrest Eco Fixed Footplate SW480/505 mm Action NG		1
10	1573661	Pair of legrest Eco Adjustable Footplate SW380/405 mm Action NG		1
11	1573692	Pair of legrest Eco Adjustable Footplate SW455/505 mm Action NG		1
12	1573705	Lh Elevating Legrest Eco Adjustable Footplate SW405/430 mm Action NG		1
13	1573706	Rh Elevating Legrest Eco Adjustable Footplate SW405/430 mm Action		1
14	1573707	Lh Elevating Legrest Eco Adjustable Footplate SW455/480/505 mm Action NG		1
15	1573723	Rh Elevating Legrest Eco Adjustable Footplate SW455/480/505 mm Action NG		1

Adjustable legrest hardware Eco



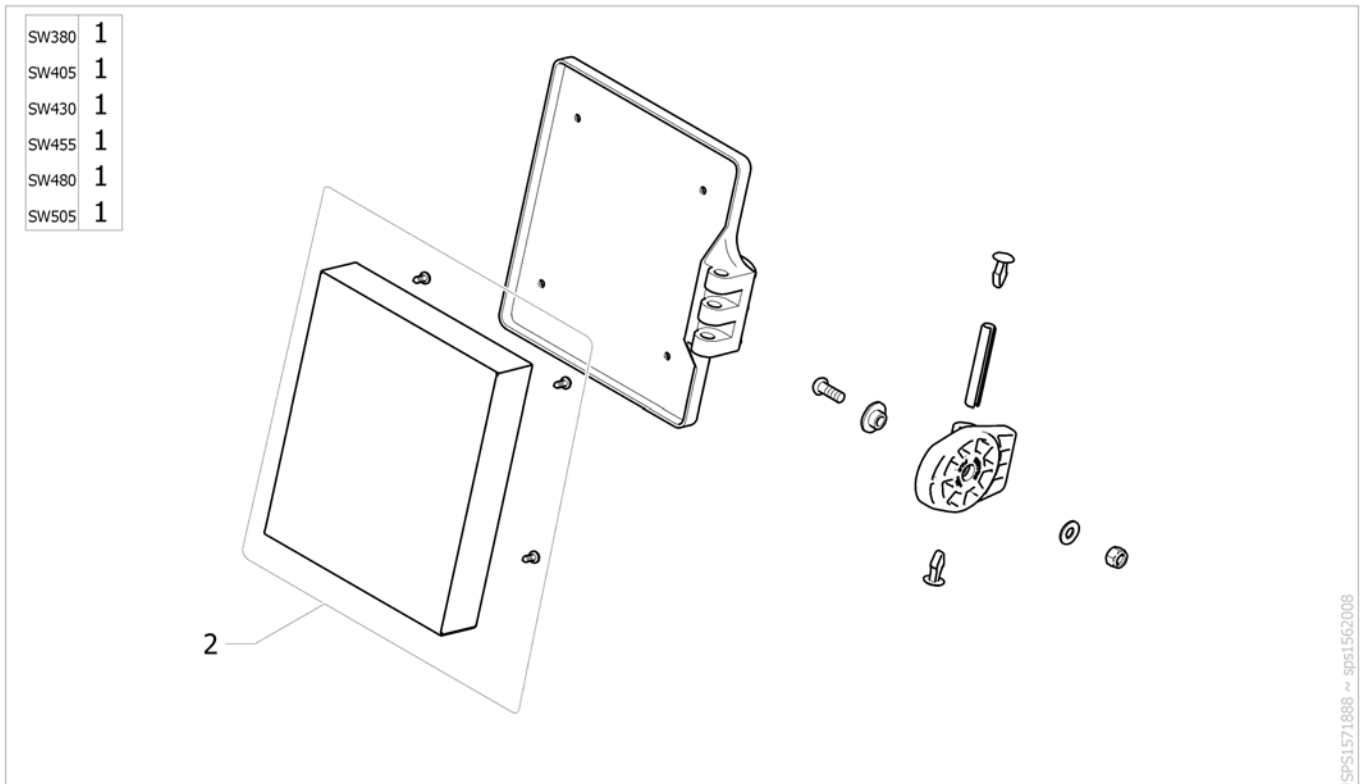
Pos.	Part number	Description	Valid from → until	Qty
1	1561944	Button black plastic square		2
2	1171163	Plastic cap black		2
3	1561037-0010	Tube for adjustable footrest Action NG		2
4	SP1547490	Kit hardware footrest/hanger Action 1 NG		2
5	1571934	Fixation kit legrest elavating legrest Action NG		2
6	1571935	Hanger pivot kit Action NG		2

Elevating legrest



Pos.	Part number	Description	Valid from → until	Qty
1	1552881	Elevating legrest Lh + fixation <i>Replace 1508945</i>		1
2	1552882	Elevating legrest Rh + fixation <i>Replace 1508948</i>		1
3	SP1584380	Kit hanger locked (2015) <i>Replace 1430427</i>		2
4	1428336	Kneepad		2
5	1508943	Incline adjustment lever		2
6	1430429	Legrest Trigger Kit		2
7	1435741	Footrest Hanger Plug		2
8	1424572	Screw stop M10x12		2
9	1424571	Screw stop M10x23		2

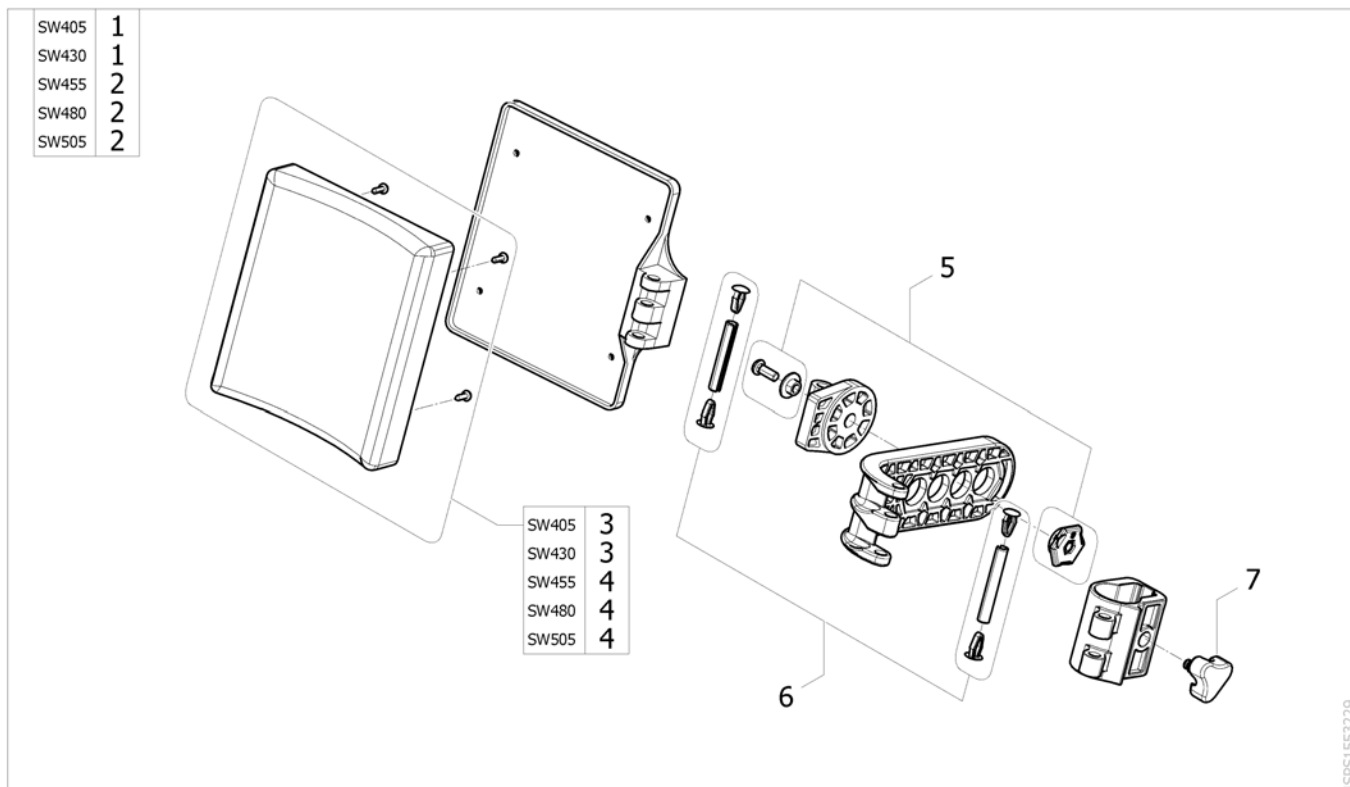
Calf pad Eco



ISPS1571888 ~ sps1562008

Pos.	Part number	Description	Valid from → until	Qty
1	1563177	Complete calf pad Eco (cushion with support) SW380/505 mm		2
2	1571851	Calf pad Eco cushion with fixation SW380/505 mm		2

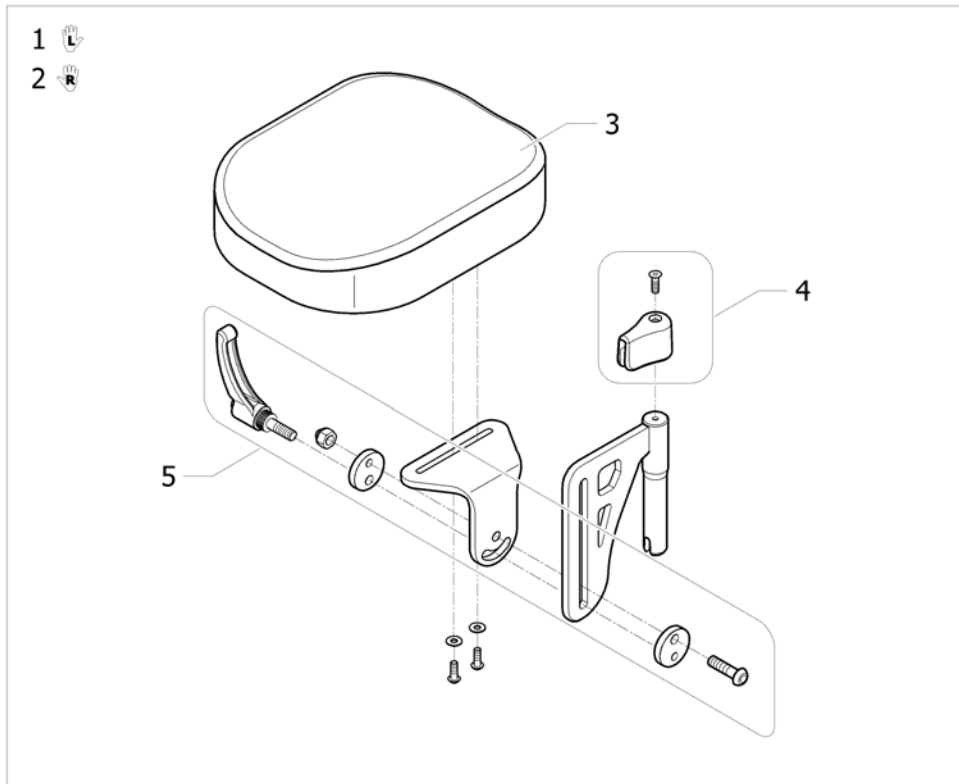
Calf Pad



ISPS1553229

Pos.	Part number	Description	Valid from → until	Qty
1	1450932	Complete Polyurethane calf pad (cushion with support), SW380/405/430 mm		2
2	1450933	Complete Polyurethane calf pad (cushion with support), SW455/480/505 mm		2
3	1430430	Polyurethane calf pad cushion with fixation SW380/405/430 mm		2
4	1430431	Polyurethane calf pad cushion with fixation SW450/480/505 mm		2
5	1440132	Kit fixation angle adjustable calf-pad		2
6	1430432	Kit articulation pin calf pad		2
7	1440943	Locking star knob		2

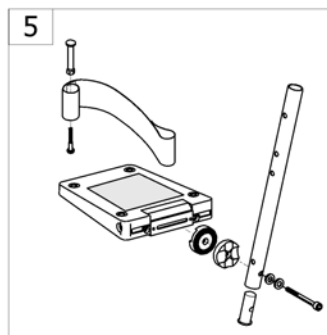
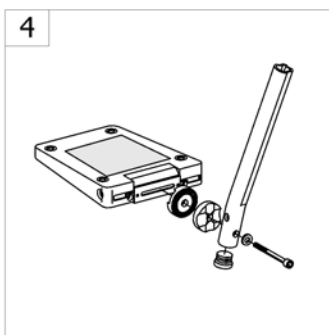
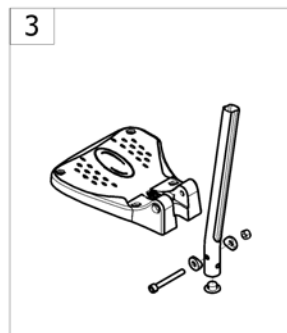
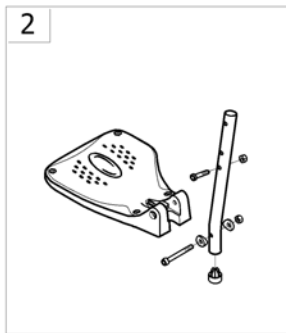
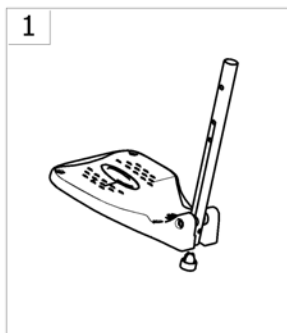
Amputee Legrest



ISP51495897

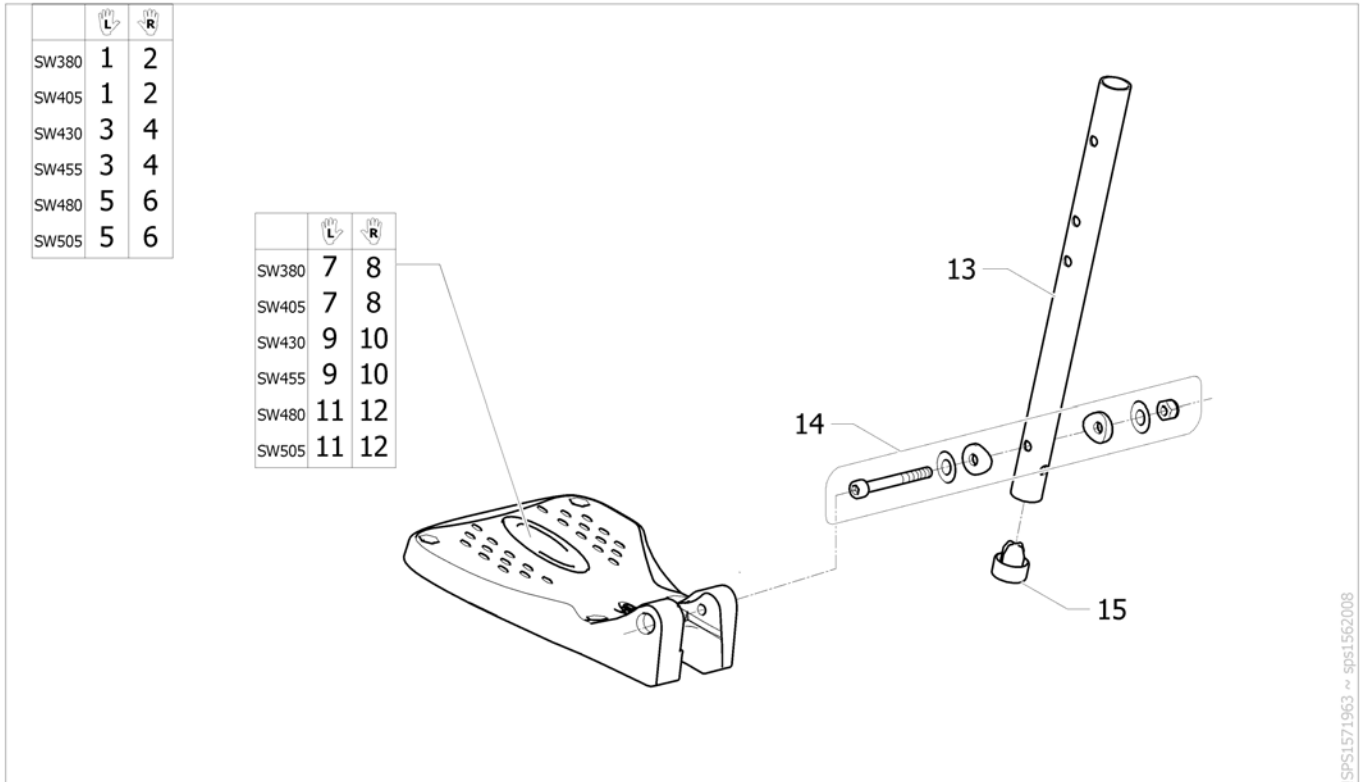
Pos.	Part number	Description	Valid from → until	Qty
1	1442991	Support Lh, legrest amputee		1
2	1442990	Support Rh, legrest amputee		1
3	1497450	Cushion amputee legrest		2
4	1446556	Amputee legrest stop + fixation		2
5	1446557	Amputee legrest slide fixation		2
6	SP1584380	Kit hanger locked (2015) <i>Replace 1430427</i>		2

Footrests



-<SPACTION1NG35

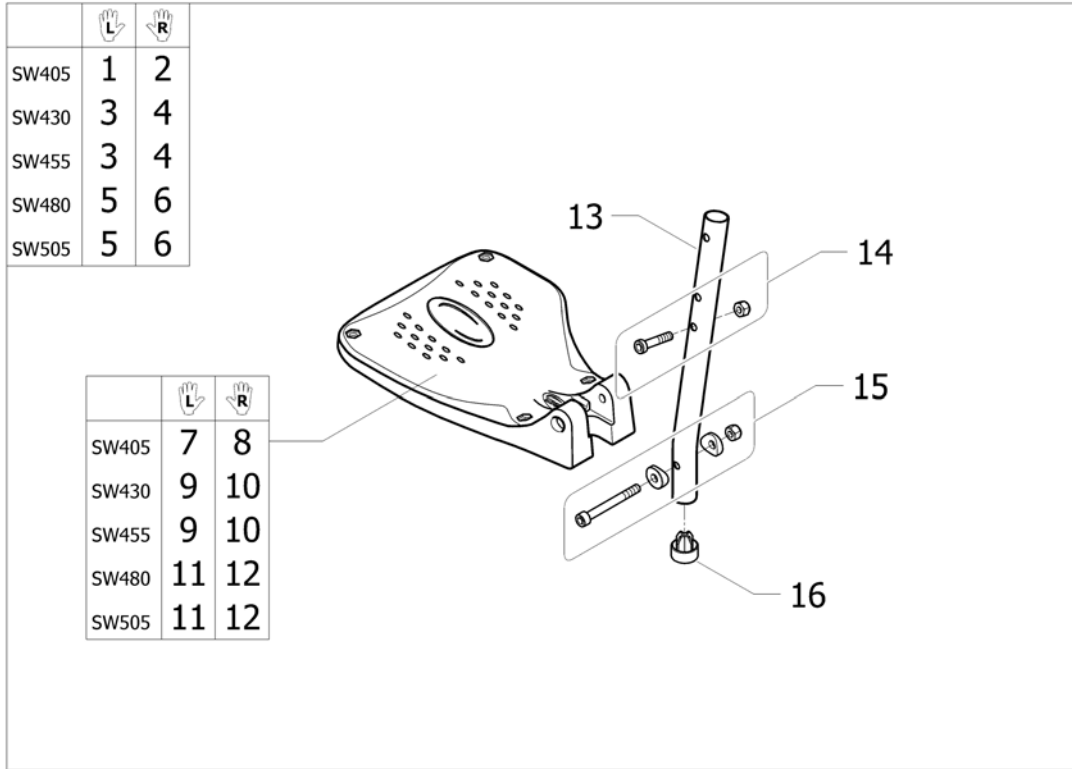
Pos.	Part number	Description	Valid from → until	Qty
1	-	Footrest Eco Action NG		1
2	-	Fixed footrest		1
3	-	Footrest		1
4	-	Angle and depth adjustable footrest		1
5	-	Angle and depth adjustable footrest Eco		1



ISPS1571963 ~ sps1562008

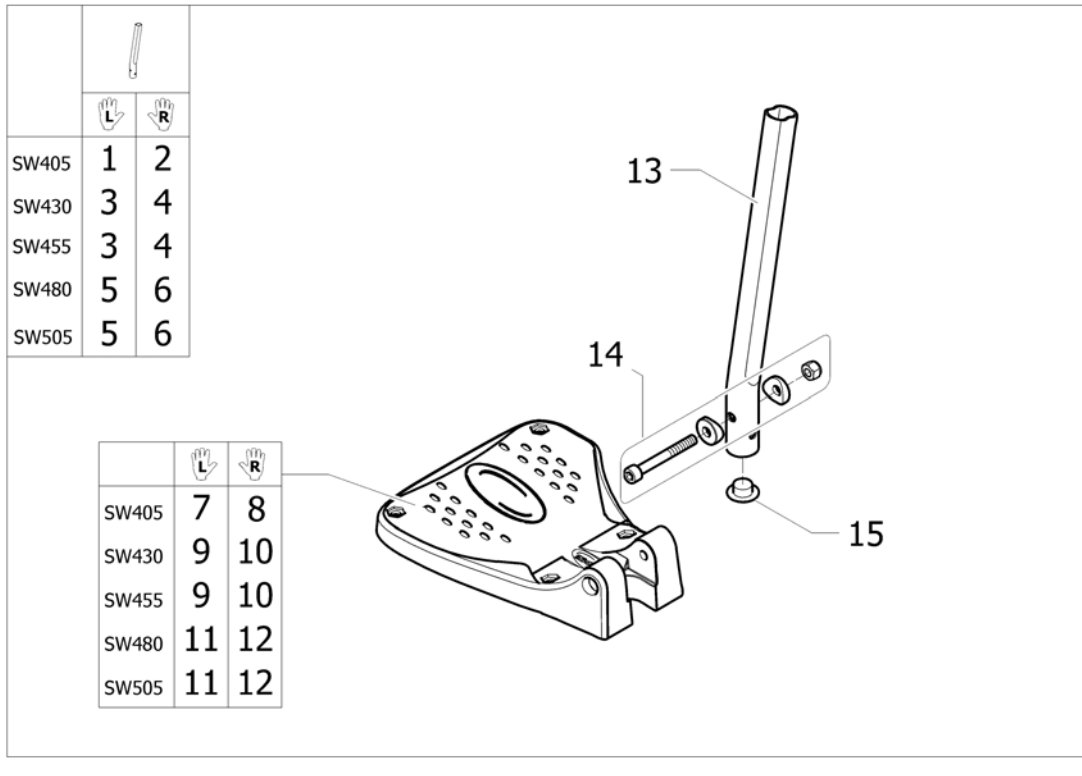
Pos.	Part number	Description	Valid from → until	Qty
1	1571852	Kit footrest fixed Eco SW380/405 mm Lh		1
2	1571853	Kit footrest fixed Eco SW380/405 mm Rh		1
3	1571854	Kit footrest fixed Eco SW430/455 mm Lh		1
4	1571855	Kit footrest fixed Eco SW430/455 mm Rh		1
5	1571856	Kit footrest fixed Eco SW480/505 mm Lh		1
6	1571857	Kit footrest fixed Eco SW480/505 mm Rh		1
7	1529643	Footplate, fixed, Lh, 174mm (V2009)		1
8	1529642	Footplate, fixed, Rh, 174mm (V2009)		1
9	1529645	Footplate, fixed, Lh, 199mm (V2009)		1
10	1529644	Footplate, fixed, Rh, 199mm (V2009)		1
11	1529647	Footplate, fixed, Lh, 224mm (V2009)		1
12	1529646	Footplate, fixed, Rh, 224mm (V2009)		1
13	1561037-0010	Tube for adjustable footrest Action NG		2
14	1430433	Kit screws for fixed footrest		2
15	1171163	Plastic cap black		2

Fixed footrest



Pos.	Part number	Description	Valid from → until	Qty
1	SP1547492	Kit fixed footrest Action 1 NG SW380/410 LH		1
2	SP1547493	Kit fixed footrest Action 1 NG SW380/410 RH		1
3	SP1547494	Kit fixed footrest Action 1 NG SW430/450 LH		1
4	SP1547495	Kit fixed footrest Action 1 NG SW430/450 RH		1
5	SP1547496	Kit fixed footrest Action 1 NG SW480/510 LH		1
6	SP1547497	Kit fixed footrest Action 1 NG SW480/510 RH		1
7	1529643	Footplate, fixed, Lh, 174mm (V2009)		1
8	1529642	Footplate, fixed, Rh, 174mm (V2009)		1
9	1529645	Footplate, fixed, Lh, 199mm (V2009)		1
10	1529644	Footplate, fixed, Rh, 199mm (V2009)		1
11	1529647	Footplate, fixed, Lh, 224mm (V2009)		1
12	1529646	Footplate, fixed, Rh, 224mm (V2009)		1
13	SP1535960	Footrest tube Action 1 NG		2
14	SP1547490	Kit hardware footrest/hanger Action 1 NG		12
15	1430433	Kit screws for fixed footrest		2
16	SP1171163	Plastic cap black Action 1 NG		2

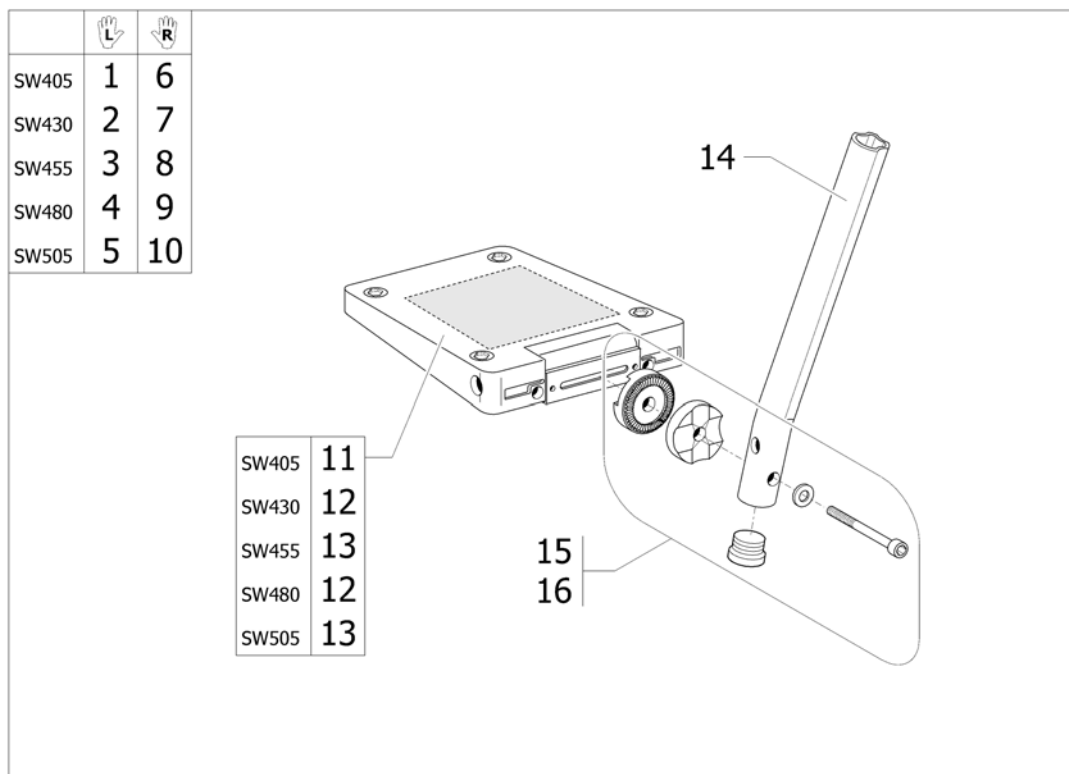
Footrest



ISPS1552666

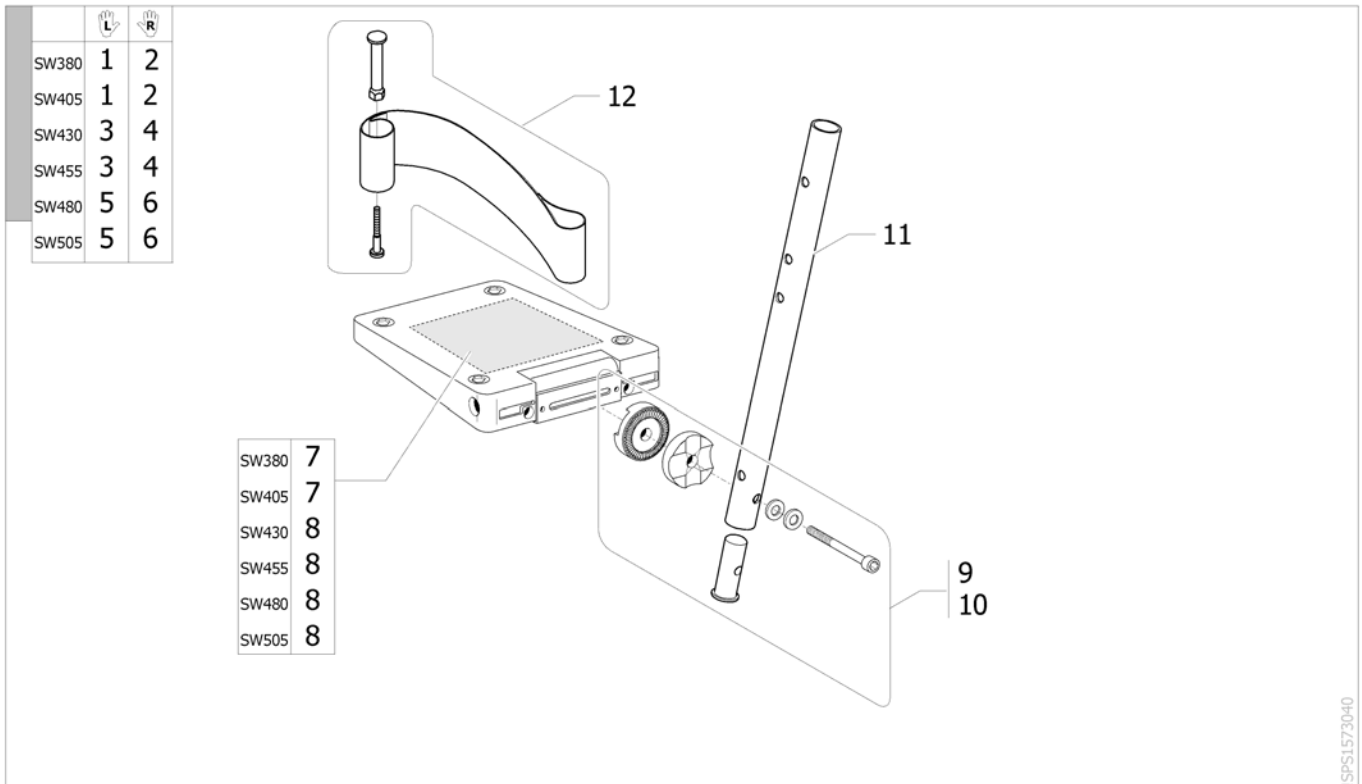
Pos.	Part number	Description	Valid from → until	Qty
1	1530620	Footrest fixed, Lh, SW380-405mm, standard tube, swing away frame		1
2	1530614	Footrest fixed, Rh, SW380-405mm, standard tube, swing away frame		1
3	1530622	Footrest fixed, Lh, SW430-455mm, standard tube, swing away frame		1
4	1530616	Footrest fixed, Rh, SW430-455mm, standard tube, swing away frame		1
5	1530623	Footrest fixed, Lh, SW480-505mm, standard tube, swing away frame		1
6	1530617	Footrest fixed, Rh, SW480-505mm, standard tube, swing away frame		1
7	1529643	Footplate, fixed, Lh, 174mm (V2009)		1
8	1529642	Footplate, fixed, Rh, 174mm (V2009)		1
9	1529645	Footplate, fixed, Lh, 199mm (V2009)		1
10	1529644	Footplate, fixed, Rh, 199mm (V2009)		1
11	1529647	Footplate, fixed, Lh, 224mm (V2009)		1
12	1529646	Footplate, fixed, Rh, 224mm (V2009)		1
13	1558855-0010	Standard footrest tube for a&d adjustable footrest		2
14	1430433	Kit screws for fixed footrest		2
15	1424576	Plastic cap black Ø20mm		2

Angle and depth adjustable footrest



Pos.	Part number	Description	Valid from → until	Qty
1	1428658	Footrest a&d adjustable, Lh, SW405mm, standard tube, swing away frame		1
2	1428659	Footrest a&d adjustable, Lh, SW430mm, standard tube, swing away frame		1
3	1428660	Footrest a&d adjustable, Lh, SW455mm, standard tube, swing away frame		1
4	1428661	Footrest a&d adjustable, Lh, SW480mm, standard tube, swing away frame		1
5	1428662	Lh angle and depth adjustable footrest short tube SW505-555-605 (Clematis)		1
6	1428652	Footrest a&d adjustable, Rh, SW405mm, standard tube, swing away frame		1
7	1428653	Footrest a&d adjustable, Rh, SW430mm, standard tube, swing away frame		1
8	1428654	Footrest a&d adjustable, Rh, SW455mm, standard tube, swing away frame		1
9	1428655	Footrest a&d adjustable, Rh, SW480mm, standard tube, swing away frame		1
10	1428656	Rh angle and depth adjustable footrest short tube(SW505/605 Action		1
11	5106375	Footplate, angle and depth adjustable, 156 mm		2
12	5106594	Footplate, angle and depth adjustable, 166 mm		2
13	5106376	Footplate, angle and depth adjustable, 176 mm		2
14	1558855-0010	Standard footrest tube for a&d adjustable footrest		2
15	1430839	Kit fixation, adjustable footplate, short spacer		2
16	1430840	Kit fixation, adjustable footplate, long spacer		2

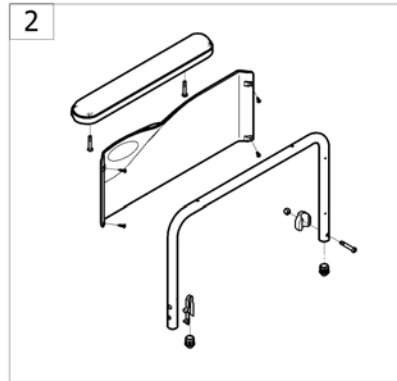
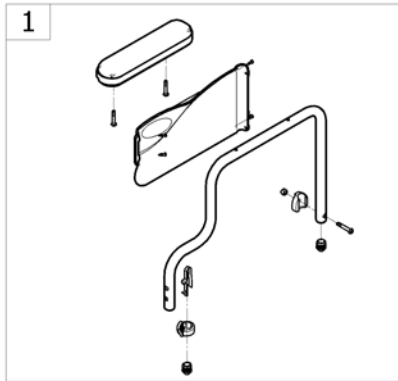
Angle and depth adjustable footrest Eco



ISPS1573040

Pos.	Part number	Description	Valid from → until	Qty
1	1572065	Lh angle and depth adjustable footrest (SW380-405 mm)Action Eco		1
2	1572066	Rh angle and depth adjustable footrest (SW380-405 mm)Action Eco		1
3	1572067	Lh angle and depth adjustable footrest (SW430-455 mm)Action Eco		1
4	1572068	Rh angle and depth adjustable footrest (SW430-455 mm)Action Eco		1
5	1572069	Lh angle and depth adjustable footrest (SW480-505 mm)Action Eco		1
6	1572070	Rh angle and depth adjustable footrest (SW480-505 mm)Action Eco		1
7	5106374	Footplate, angle and depth adjustable, 141 mm		2
8	5106594	Footplate, angle and depth adjustable, 166 mm		2
9	1573190	Footrest screws kit SW380-405/430-455mm Eco Action NG		2
10	1573191	Footrest screws kit SW480-505mm Eco Action NG		2
11	1561037-0010	Tube for adjustable footrest Action NG		2
12	1492315	Kit heelstrap, adjustable, medium		2

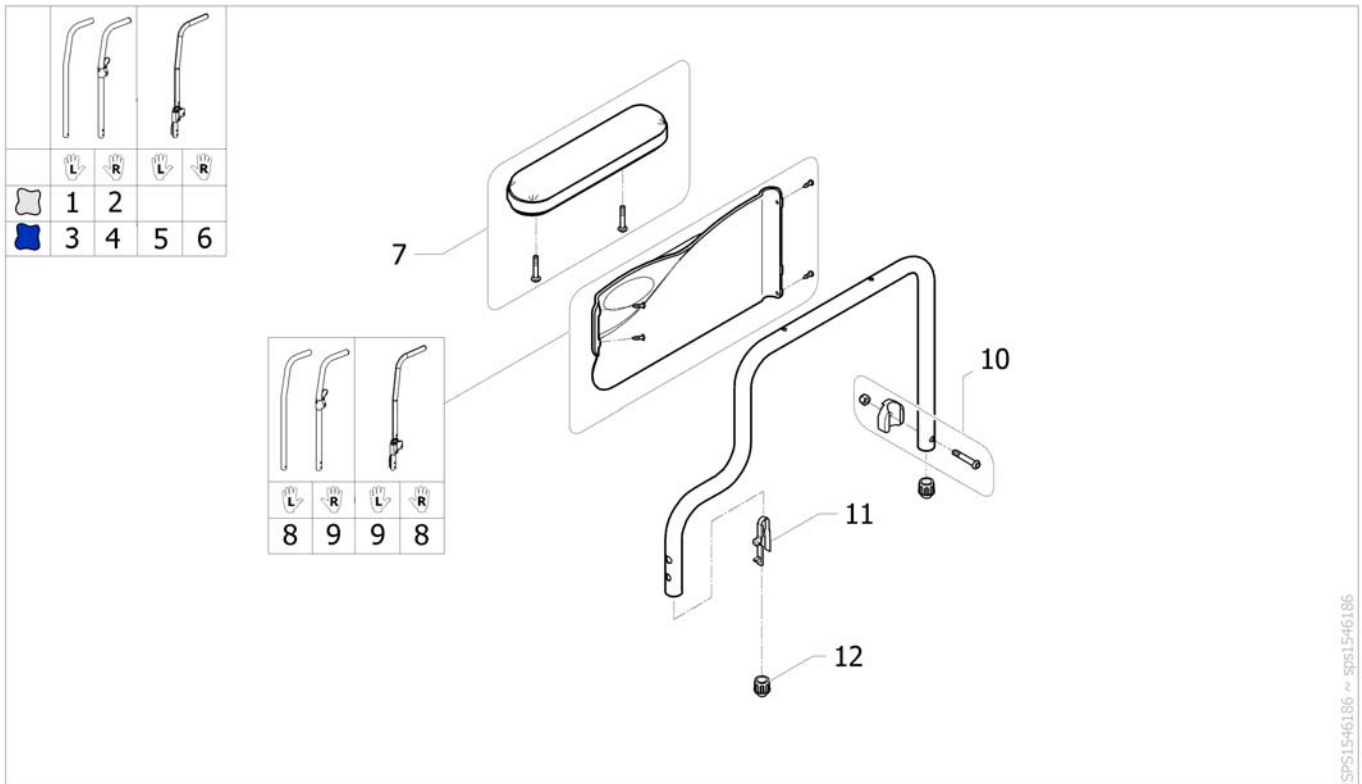
Siderests



-<SPACTIONING40

Pos.	Part number	Description	Valid from → until	Qty
1	-	Armrest - fixed space saver - short armpad		1
2	-	Armrest - fixed - long armpad		1

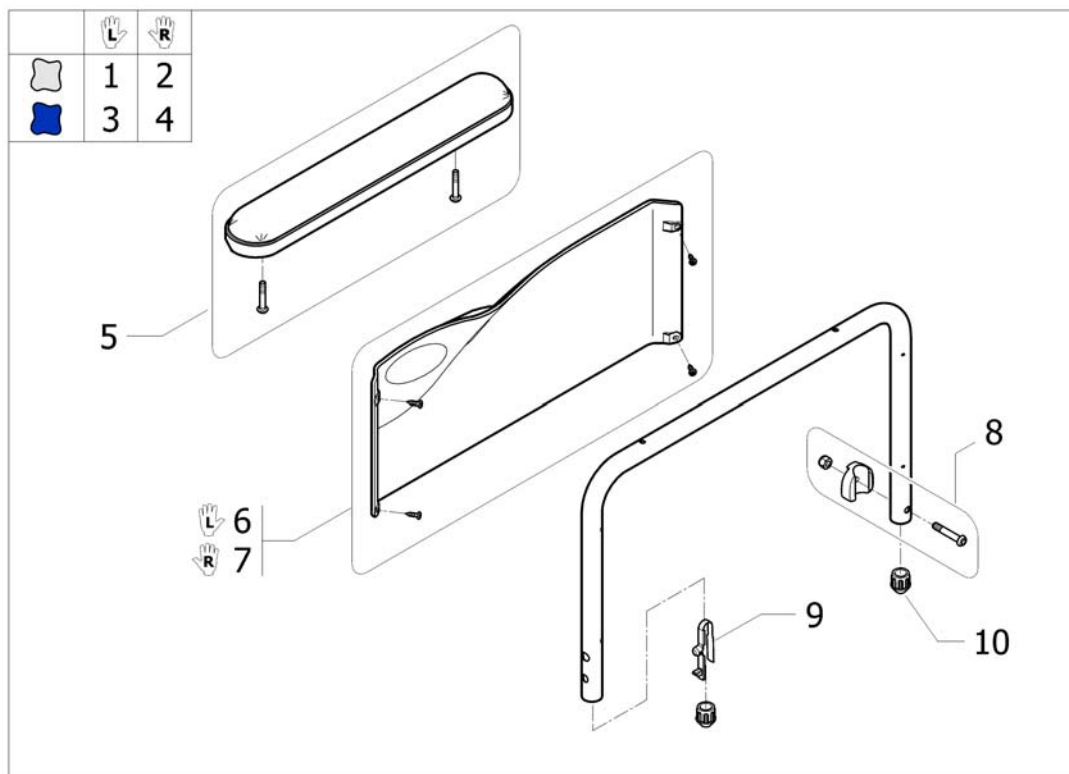
Armrest - fixed space saver - short armpad



SPS1546186 → SPS1546186

Pos.	Part number	Description	Valid from → until	Qty
1	SP1547499-0515	Lh armrest A1 NG fixed space saver short armpad Silver		1
2	SP1547500-0515	Rh armrest A1 NG fixed space saver short armpad Silver (Esprit Clematis)		1
3	SP1547499-0635	Lh armrest A1 NG fixed space saver short armpad Night Blue		1
4	SP1547500-0635	Rh armrest A1 NG fixed space saver short armpad Night Blue		1
5	SP1558367-0635	Lh armrest A1 NG fixed space saver short armpad (recliner) Night Blue (Esprit Clematis)		1
6	SP1558368-0635	Rh armrest A1 NG fixed space saver short armpad (recliner) Night Blue		1
7	SP1547508	Kit short armpad A1 NG + screw (Esprit Clematis)		1
8	SP1547658	Kit shirtguard for armrest A1 NG fixed space saver short armpad Lh		1
9	SP1547659	Kit shirtguard for armrest A1 NG fixed space saver short armpad Rh (SW490 Esprit Clematis)		1
10	SP1547507	Kit rear armrest support A1 NG		2
11	SP1110069	Double stud spring		2
12	SP1036484	Short conical cap		4

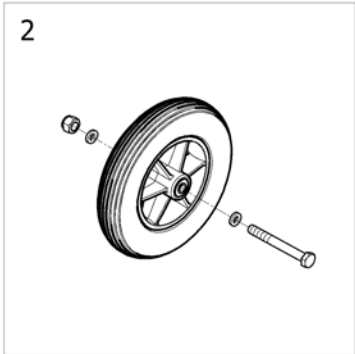
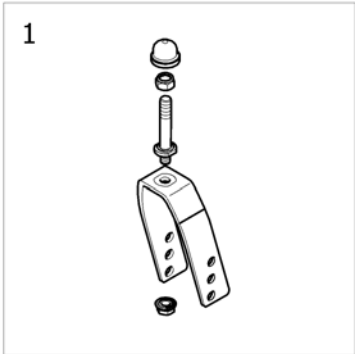
Armrest - fixed - long armpad



SPS1547678 ~ sps1547678_11

Pos.	Part number	Description	Valid from → until	Qty
1	SP1547501-0515	Lh armrest A1 NG fixed long armpad Silver		1
2	SP1547502-0515	Rh armrest A1 NG fixed long armpad Silver		1
3	SP1547501-0635	Lh armrest A1 NG fixed long armpad Night Blue		1
4	SP1547502-0635	Rh armrest A1 NG fixed long armpad Night Blue		1
5	SP1547509	Kit long armpad Action 1 NG + screw		1
6	SP1547660	Kit shirtguard for armrest Action 1 NG fixed long armpad G		1
7	SP1547661	Kit shirtguard for armrest Action 1 NG fixed long armpad D		1
8	SP1547507	Kit rear armrest support A1 NG		2
9	SP1110069	Double stud spring		2
10	SP1036484	Short conical cap		4

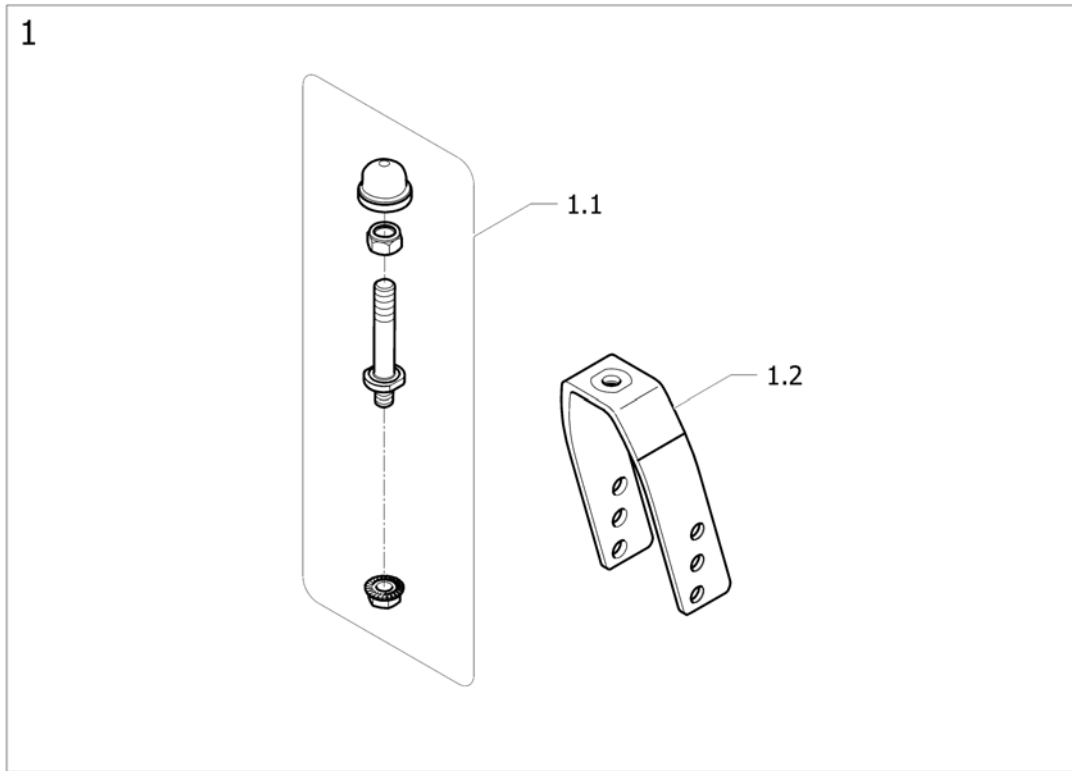
Front wheels



<SPACTIONING50

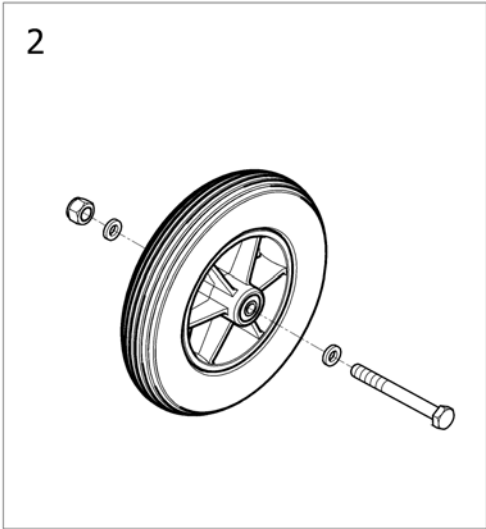
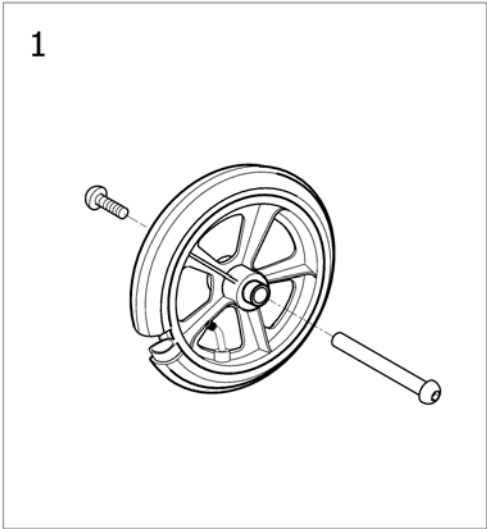
Pos.	Part number	Description	Valid from → until	Qty
1	-	Forks		1
2	-	Front wheels		1

Forks



Pos.	Part number	Description	Valid from → until	Qty
1	SP1547841	Kit fork A1 NG alu silver W64 3 positions + axle		2
1.1	SP1548382	Kit fork axle A1 NG		2
1.2	SP1540463	Fork A1 NG		2

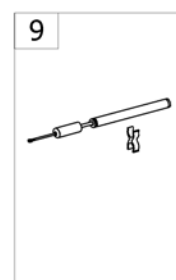
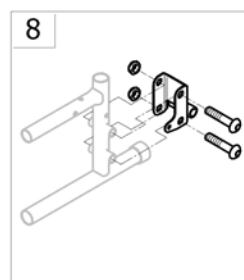
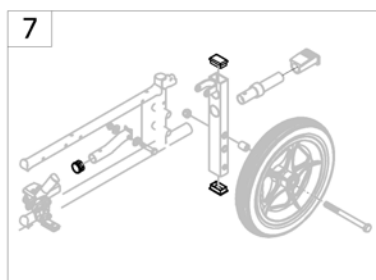
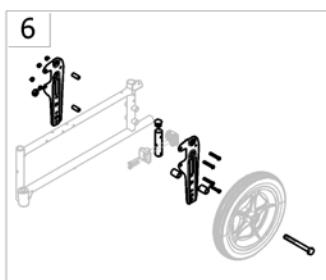
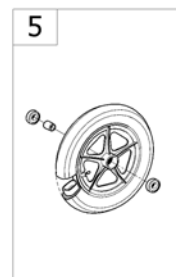
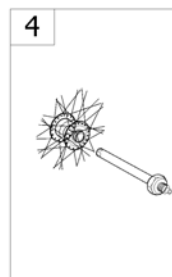
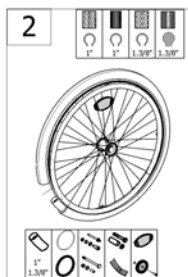
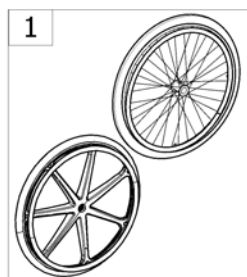
Front wheels



!SPS1546187 ~ sps1546187_II

Pos.	Part number	Description	Valid from → until	Qty
1	SP1582956	Pair front wheel 8" x 1.1/4" (200x30) + axle, solid tyre, L60 mm <i>Replace 1560754 for a wheelchair before 2014/06/03</i>	→ 2014-06-02	1
2	SP1547877	Front wheel solid 8"x2"		2

Rear wheels

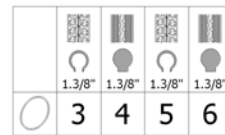
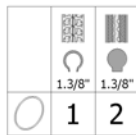
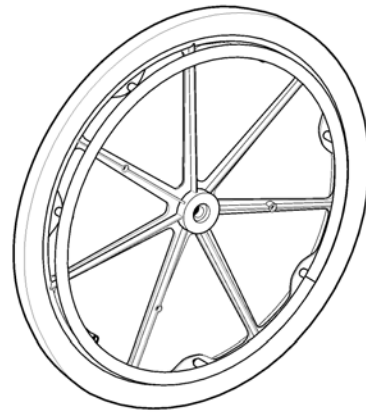
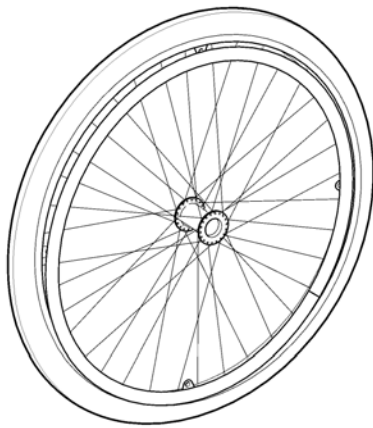


-<SPACTIONING55

Pos.	Part number	Description	Valid from → until	Qty
1	-	24" standard wheels		1
2	-	24" standard wheels accessories		1
3	-	24" hub brake wheels		1
4	-	Quick release axle dia 12 Action		1
5	-	12" transit wheels		1
6	-	Rear wheel transit supports for manual brakes 2013/10=>		1
7	-	Rear wheel transit supports for manual brakes =>2013/10		1
8	-	Rear wheel supports		1
9	-	Pump [SB_1230]		1

24" standard wheels

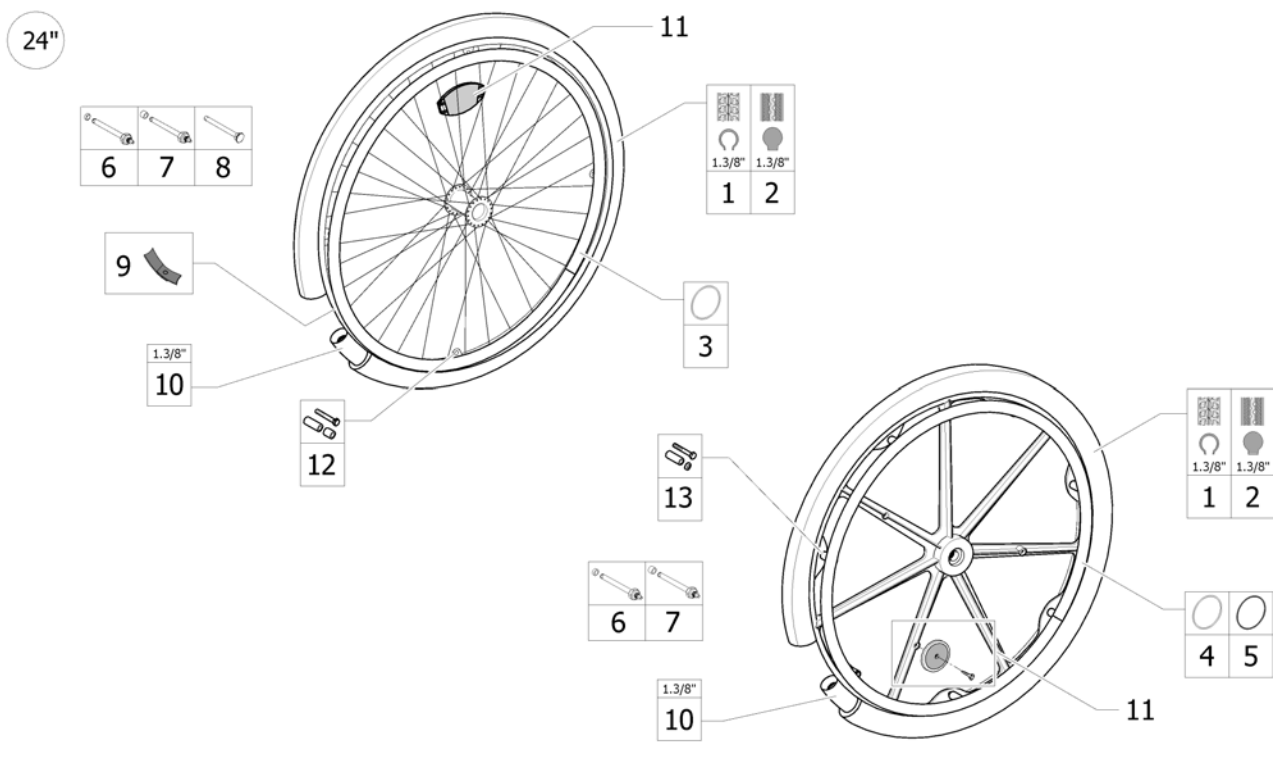
24"



ISPS1546189 ~ sps1541971_II

Pos.	Part number	Description	Valid from → until	Qty
1	1498423	24" x 1.3/8" wheel,spoked,anodized handrim,pneumatic		2
2	1498263	24" x 1.3/8" wheel,spoked,anodized handrim,solid tyre,		2
3	1572540	24" x 1.3/8" composite, anodized handrim, pneumatic	2013-10-14 →	2
4	1572541	24" x 1.3/8" composite, anodized handrim, solid tyre	2013-10-14 →	2
5	1423312	Pair of wheels 24" x 1.3/8"composite, anodized handrim, pneumatic	2010-07-01 → 2013-10-13	1
6	1423310	Pair of wheels 24" x 1.3/8"composite, anodized handrim, solid tyre	2010-07-01 → 2013-10-13	1

24" standard wheels accessories

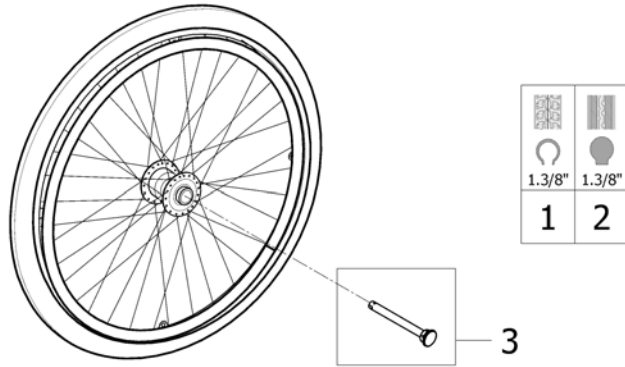


ISPS1546190

Pos.	Part number	Description	Valid from → until	Qty
1	0036-30001	Pneumatic tyre, 24" x 1.3/8", grey		2
2	0036-10013	Solid tyre, 24" x 1.3/8", grey		2
3	1505291	Kit aluminium handrim 24", 4 fixations		2
13	1581725	Kit handrim fixation for composite wheel, 7 points	2014-04-28 →	2
4	1581659	24" anodized handrim + fixations, 7 points	2014-04-28 →	1
4	1545554	24" anodized handrim + fixations, 7 points (MBL)		2
5	1431318	24" Anti-slip handrim + fixations, 7 points		2
6	1567629	Kit rear wheel axle QR + short spacer for amputee support A1 NG		2
7	SP1541826	Kit rear wheel axle standard QR + long spacer A1 NG		2
8	SP1548383	Rear wheel axle QR for hub brake A1 NG		2
9	0036-40003	Rim tape 24"		2
10	0036-20001	Inner tube, 24" x 1.3/8"		2
11	N90003	Kit reflector for spoked wheel		2
12	9037-30001	Kit reflector for composite wheel		2
12	1573626	Kit handrim fixation for spoked wheel, 4 pts		2
13	1573627	Kit handrim fixation for composite wheel, 7 points		2
5	1581660	24" Anti-slip handrim + fixations, 7 points	2014-04-28 →	2

24" hub brake wheels



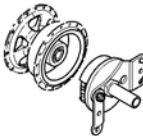


24"



!SPS1548395 ~ sps1548395_01

Pos.	Part number	Description	Valid from → until	Qty
1	1498428	Rear wheel, 24", hub brake, pneumatic tyre 1.3/8", aluminium handrim		2
2	1498427	Rear wheel, 24", hub brake, solid tyre 1.3/8", aluminium handrim		2
3	SP1548383	Rear wheel axle QR for hub brake A1 NG		2

Quick release axle dia 12 Action

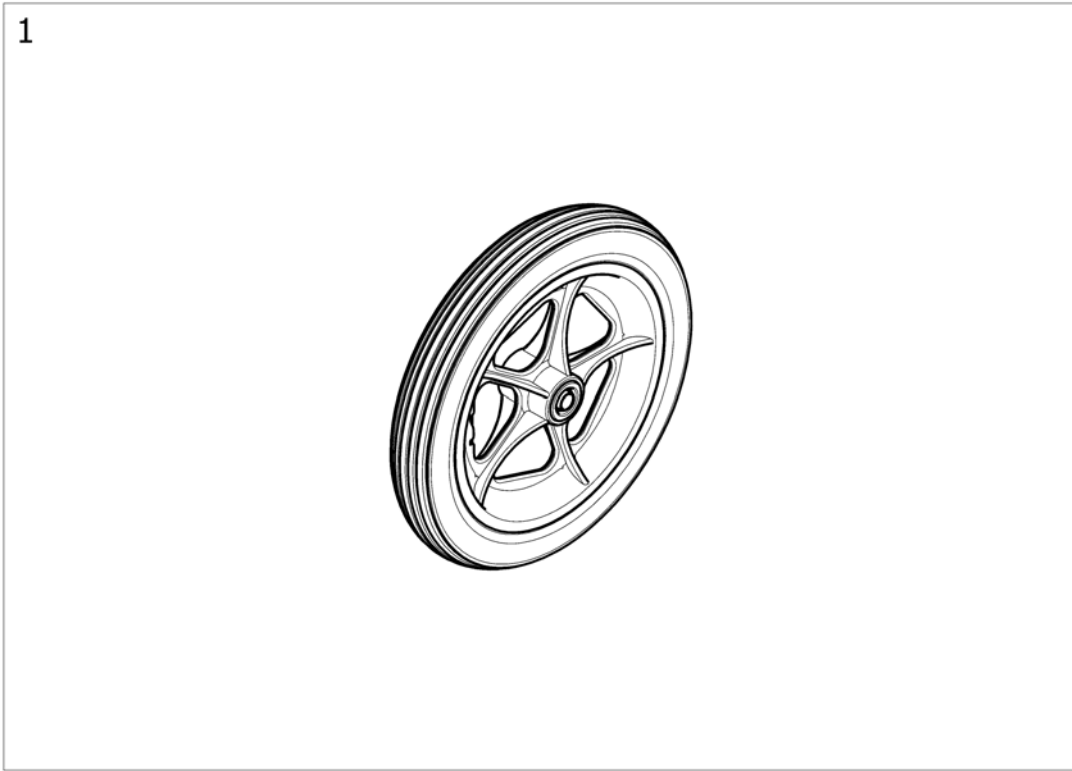
						
	=> 03-2007	03-2007 =>	=> 06-2007	06-2007 =>	01-2011 =>	
Action 1NG		3				
Action 2NG		1		4	1	
Action 3	1	1	1	1		1
Action 3NG		1		1		1
Action 3J		1		1		
Action 4	1	1	1	1		1
Action 4NG		1		1		1
Esprit A3 J		1				
Action 2000	1	1				2
Variable +	1	1		1		2

	1	2	3	4
---	---	---	---	---

ISPS1572689

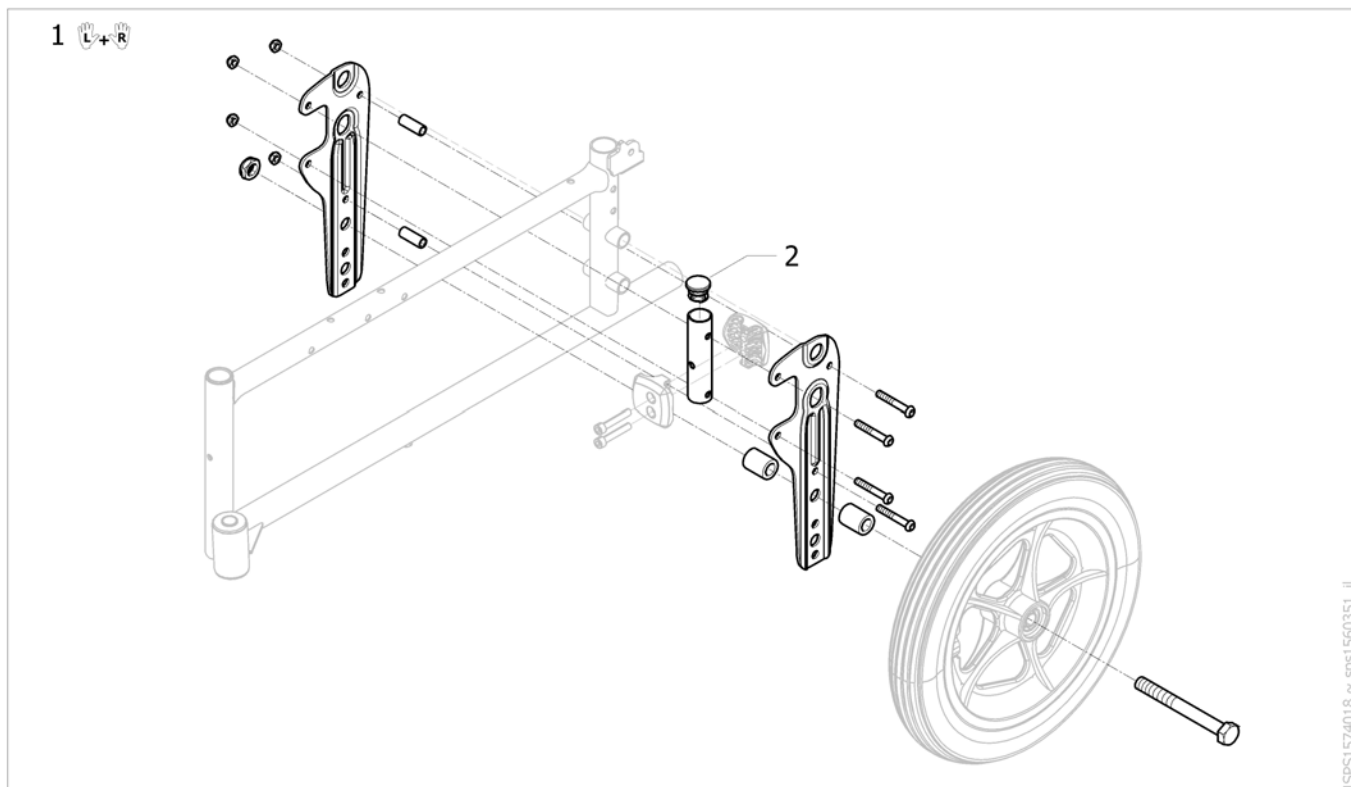
Pos.	Part number	Description	Valid from → until	Qty
1	1498496	Quick release axle Ø12		2
2	0047-10035	Quick release axle Ø12		2
3	1137209	Quick release axle Ø12		2
4	1485144	Quick release axle Ø12		2

12" transit wheels



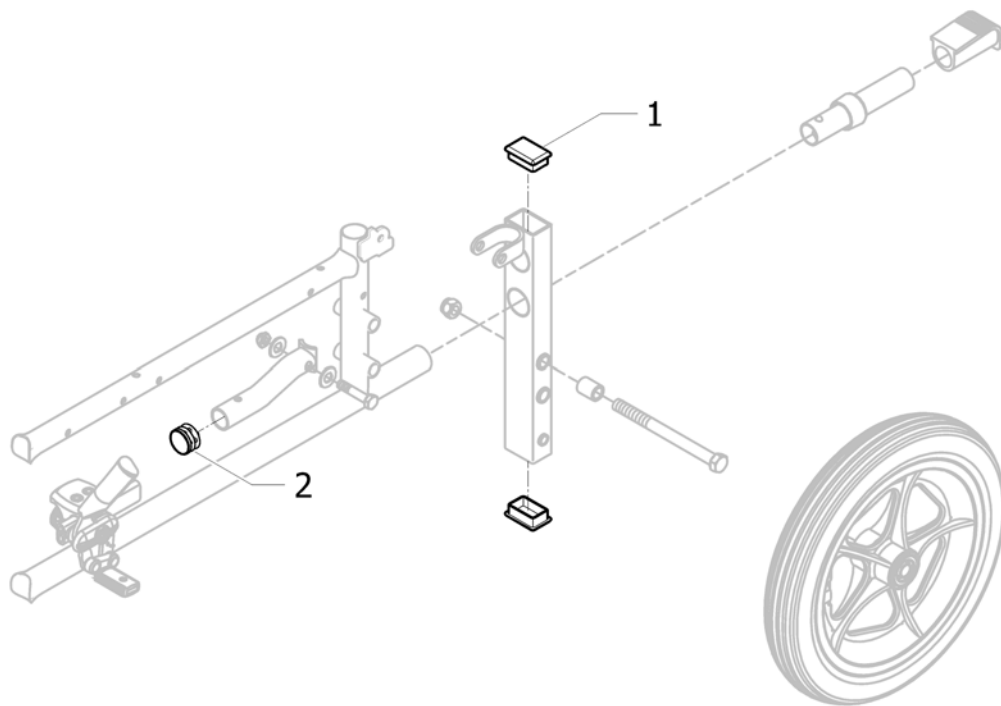
Pos.	Part number	Description	Valid from → until	Qty
1	SP1154759	12"x2" rear wheel transit A1 NG		2

Rear wheel transit supports for manual brakes 2013/10=>



Pos.	Part number	Description	Valid from → until	Qty
1	1574037	Transit kit (pair)	2013-10-11 →	1
2	SP1027095	Black cap		2

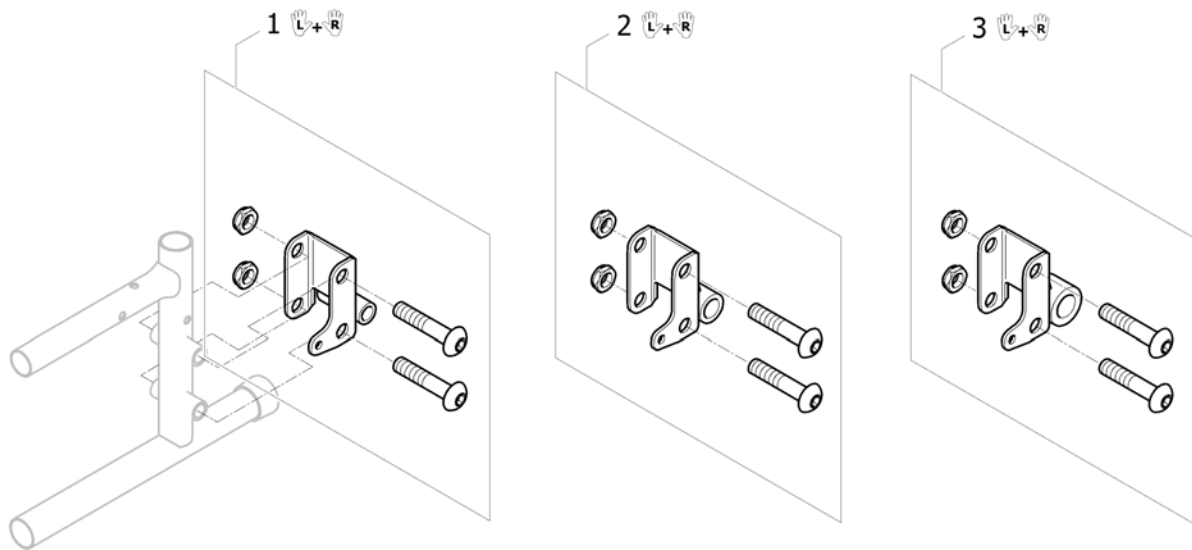
Rear wheel transit supports for manual brakes =>2013/10



SPS1548338 ~ sps1548338_11

Pos.	Part number	Description	Valid from → until	Qty
1	SP1541837	Plug rectangular	→ 2013-10-10	4
2	SP1027095	Black cap	→ 2013-10-10	2

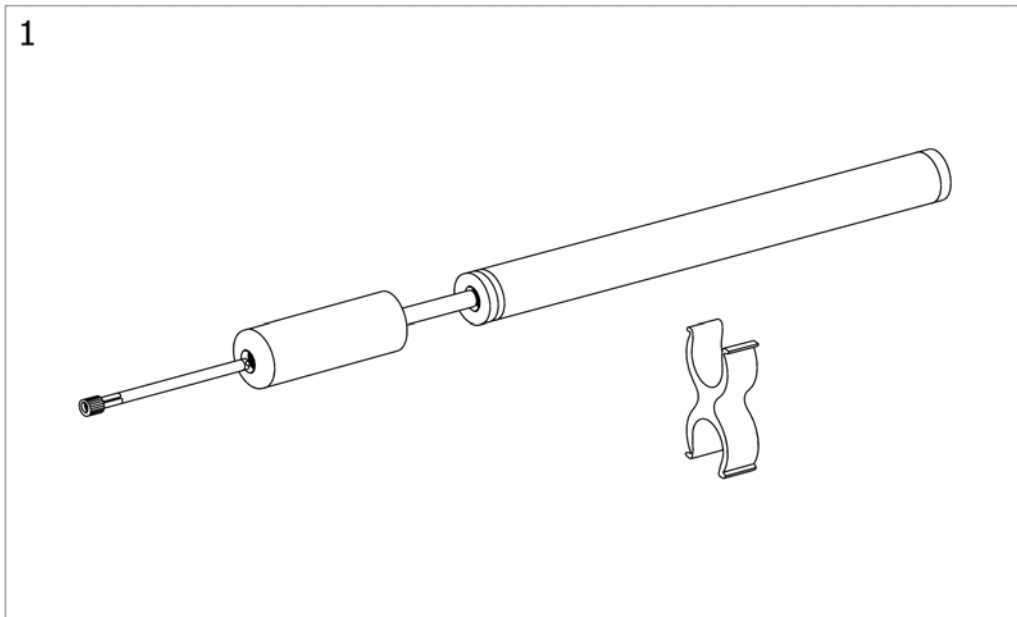
Rear wheel supports



ISPS1548250 ~ sps1560347_II

Pos.	Part number	Description	Valid from → until	Qty
1	SP1541854	Kit active & amputee rear wheels position A1 NG (pair)		1
2	SP1561368	Kit Hub Brake rear wheels position A1 NG (pair)		1
3	SP1541847	Kit Dual Handrim rear wheels position A1 NG (pair)		1

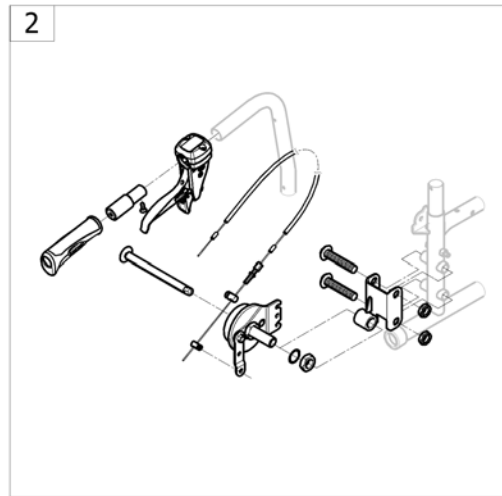
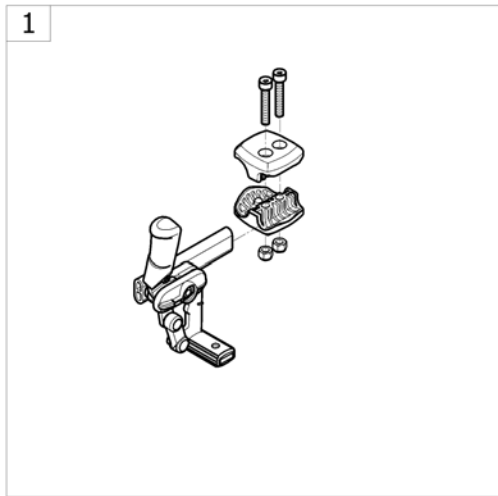
Pump



125149504

Pos.	Part number	Description	Valid from → until	Qty
1	1419910	Kit pump low pressure + support <i>Replace 1484715</i>		1

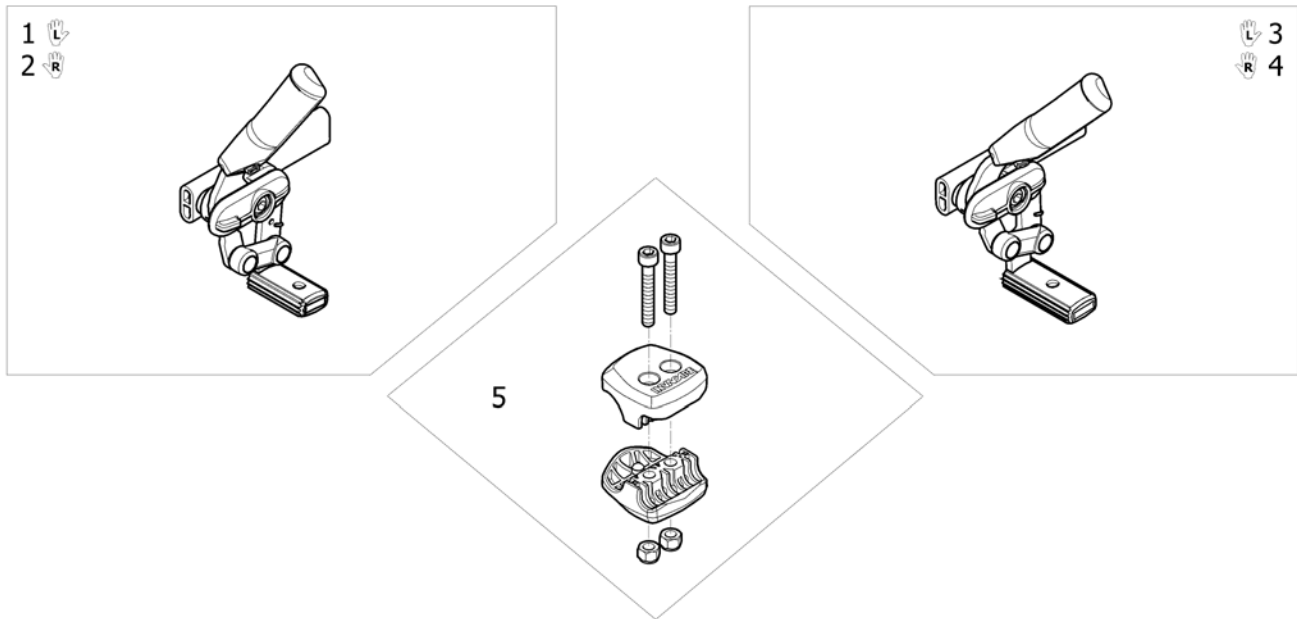
Brakes



-<SPACTIONING65

Pos.	Part number	Description	Valid from → until	Qty
1	-	Push brakes [SB_1270]		1
1	-	Hub Brakes [SB_1280]		1

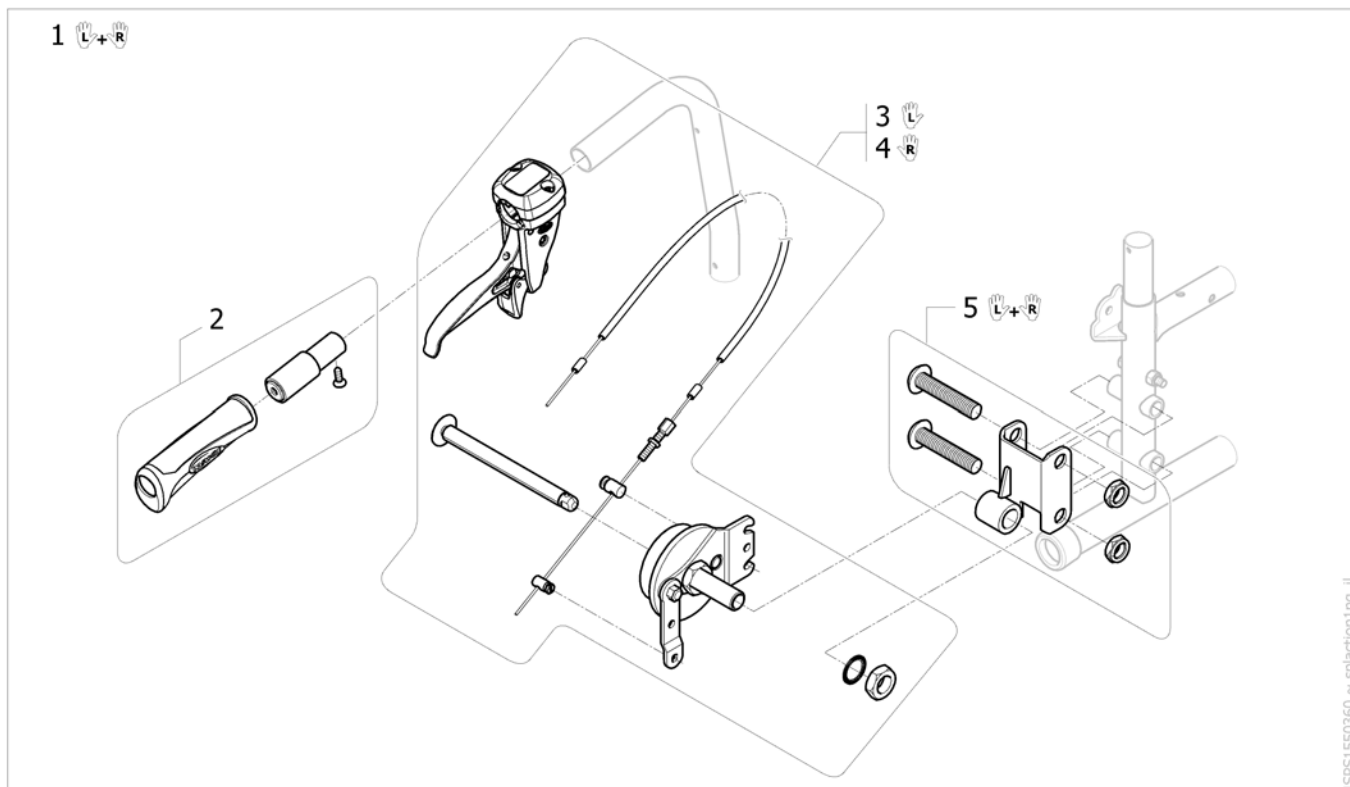
Push brakes



ISPS1546192 ~ 1575102_JI

Pos.	Part number	Description	Valid from → until	Qty
1	1425634	Standard push brake Left <i>Replace SP1541840</i>		1
2	1425635	Standard push brake Right <i>Replace SP1541839</i>		1
3	SP1548559	Push brakes Long LH		1
4	SP1548560	Push brakes Long RH		1
5	1575102	Kit brake composite clamp black <i>Replace 1423107</i>		2

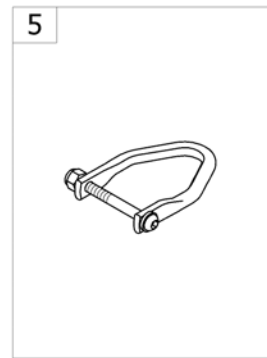
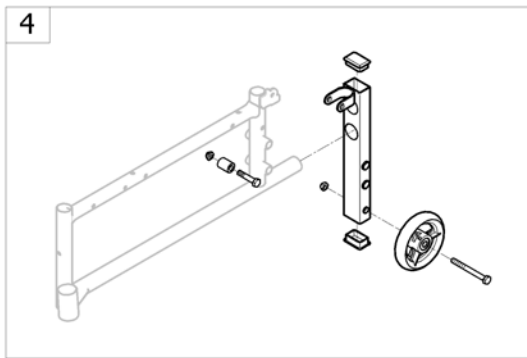
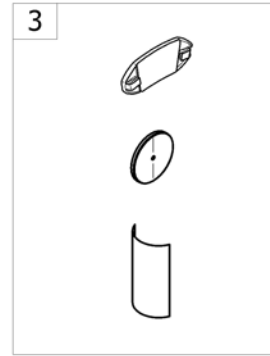
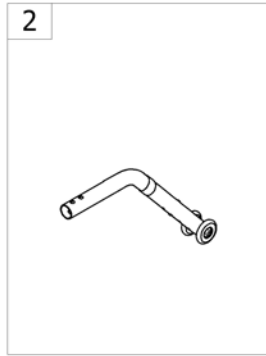
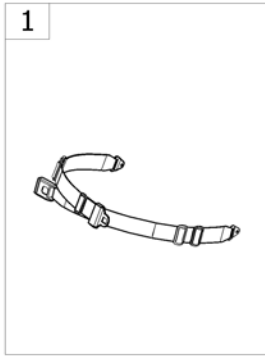
Hub Brakes



SPS1550360 ~ splaction1ng_ii

Pos.	Part number	Description	Valid from → until	Qty
1	1549797	Kit pair attendant hub brakes A1 NG (levers+cables+plates+supports)		1
2	1553332	Kit backrest post handle extension A1 NG		2
3	SP1561366	Kit cable + plate hub brake Left A1 NG		1
4	SP1561367	Kit cable + plate hub brake Right A1 NG		1
5	SP1561368	Kit Hub Brake rear wheels position A1 NG (pair)		1

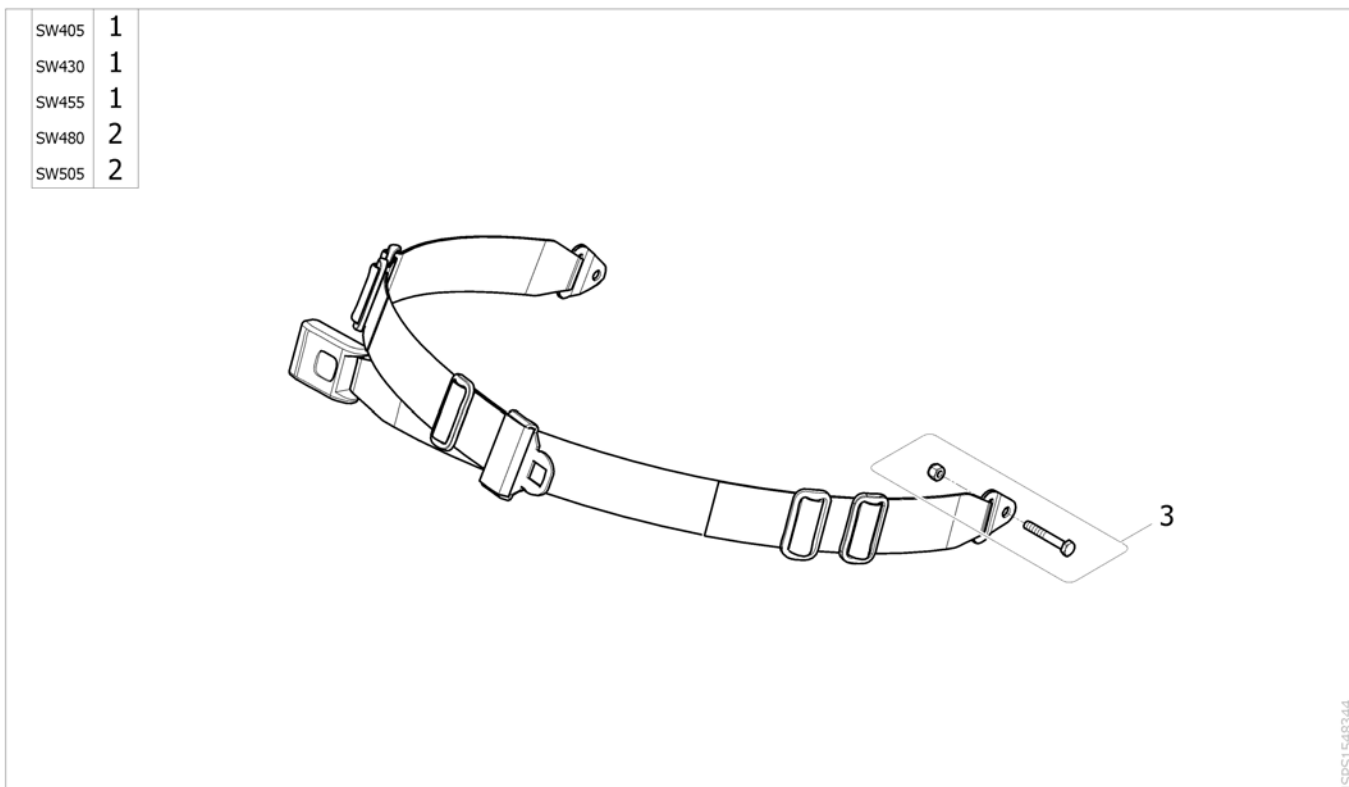
Safety options



->SPACTION1NG90

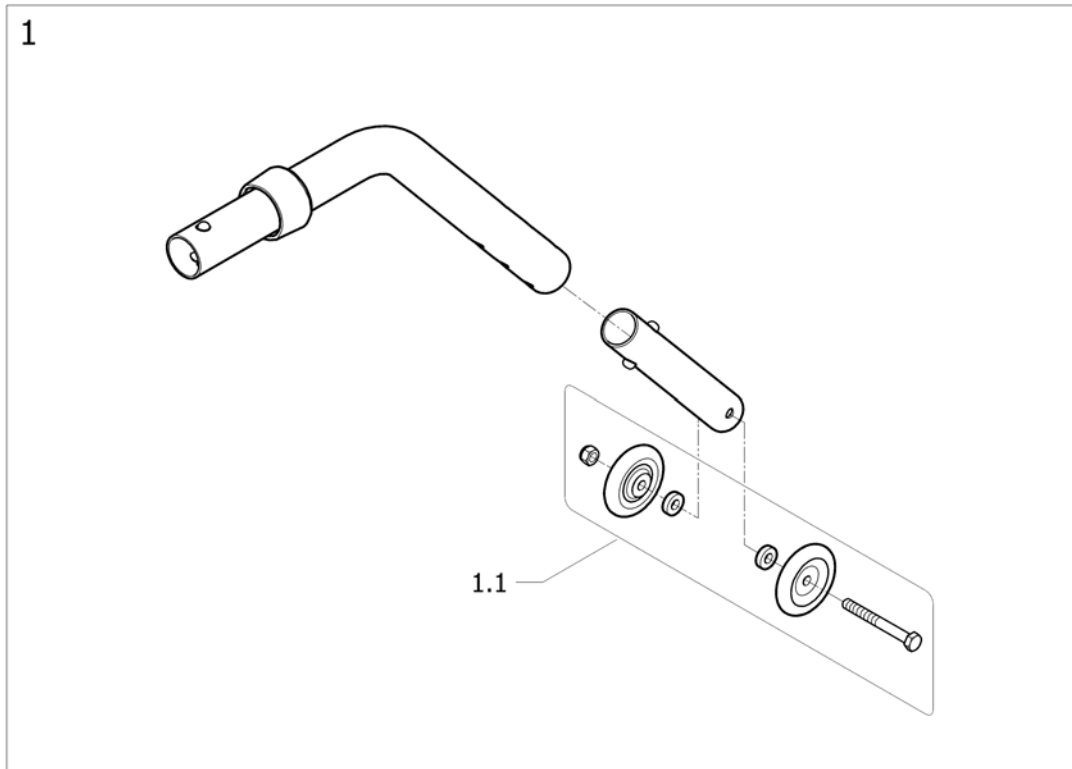
Pos.	Part number	Description	Valid from → until	Qty
1	-	Belts [SB_1360]		1
2	-	Rear anti-tipper [SB_1370]		1
3	-	Reflectors [SB_1380]		1
4	-	Transfer kit [SB_1365]		1
5	-	Transportation attachment kit [SB_1350]		1

Belts



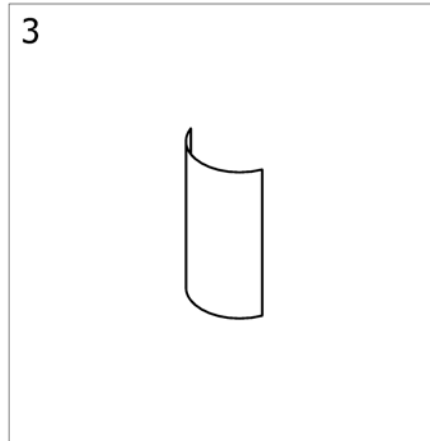
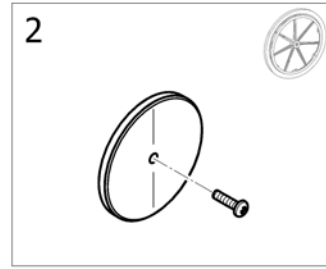
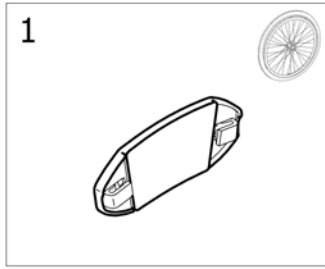
Pos.	Part number	Description	Valid from → until	Qty
1	1559317	Kit safety lap belt metal buckle SW205-455 mm + hardware		1
2	1559326	Kit safety lap belt HD metal buckle SW480-605 mm+ hardware		1
3	SP1541857	Kit hardware belt		2

Rear anti-tipper



Pos.	Part number	Description	Valid from → until	Qty
1	1172013	Kit rear anti-tippers A1 NG (pair) <i>Replace SP1548247</i>		1
1.1	1548248	Kit wheels + attachment anti-tippers (washers in)		2

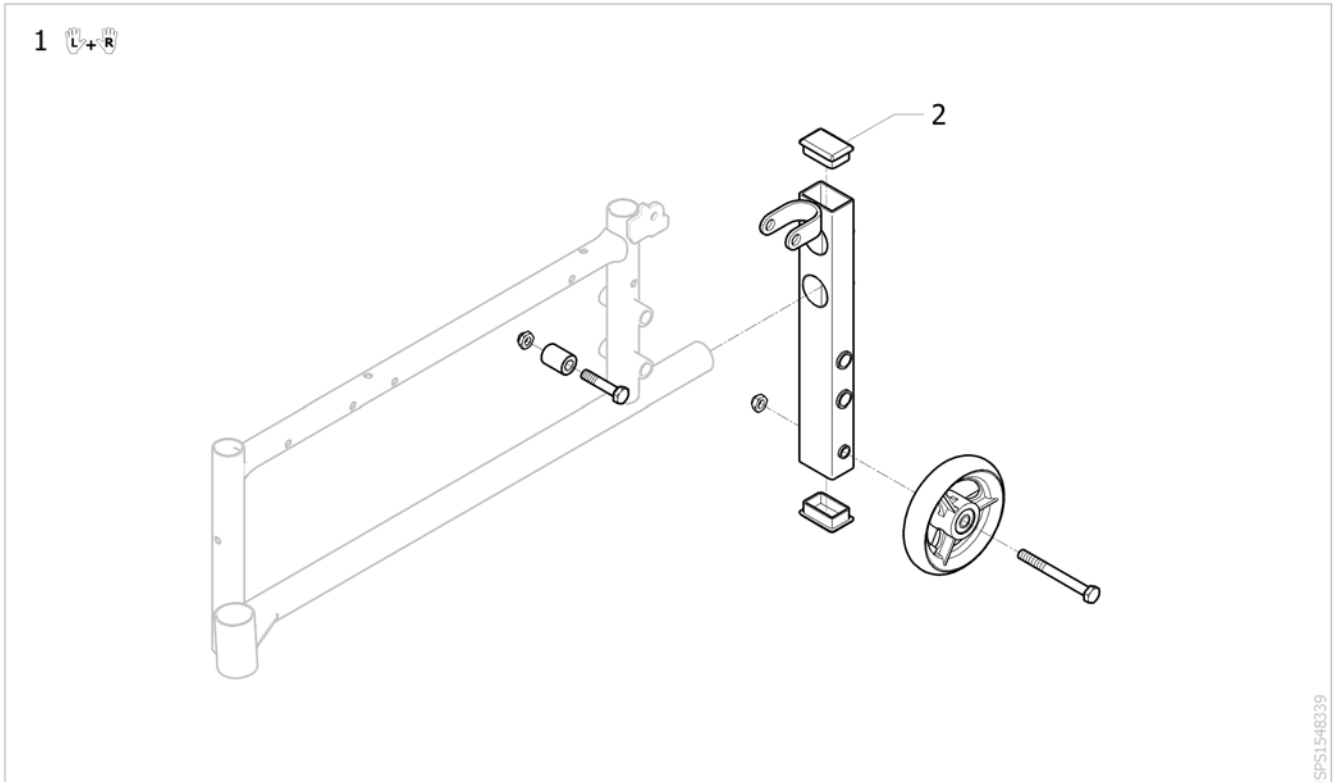
Reflectors



!SPS1548342

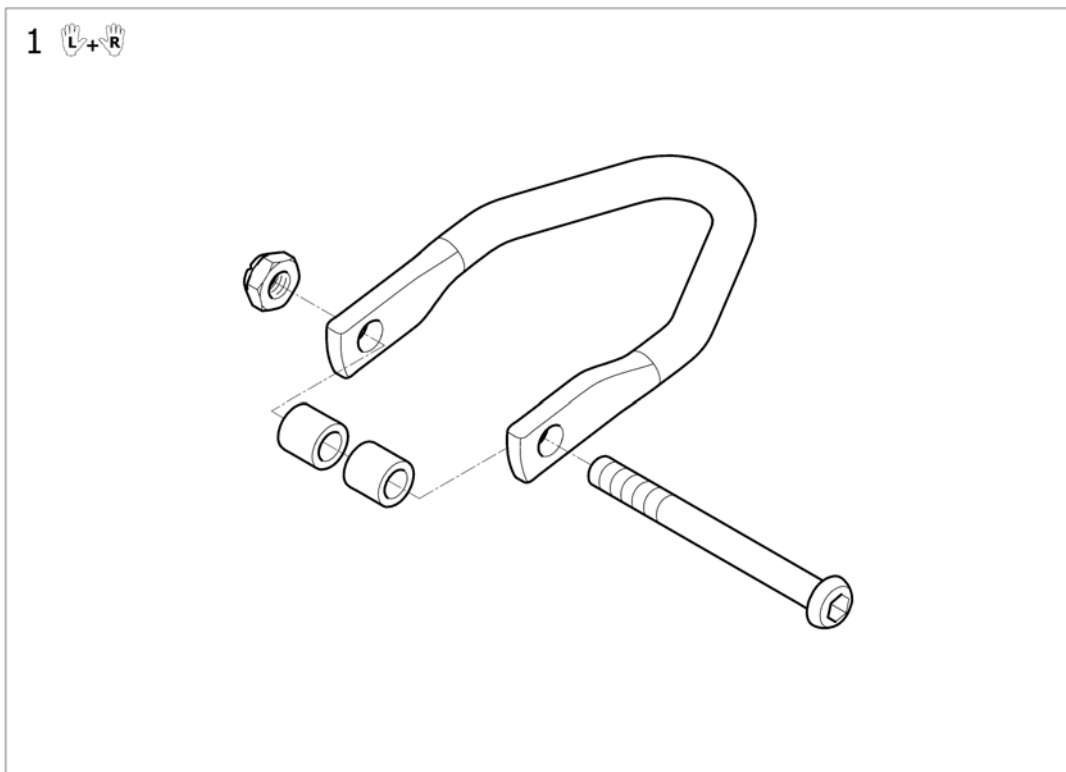
Pos.	Part number	Description	Valid from → until	Qty
1	N90003	Kit reflector for spoked wheel		2
2	9037-30001	Kit reflector for composite wheel		2
3	SP1541864	Reflector sticker red		2

Transfer kit



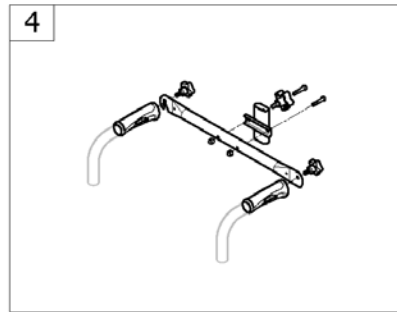
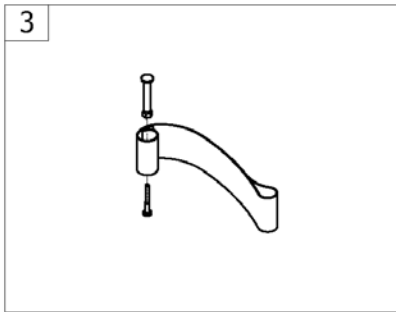
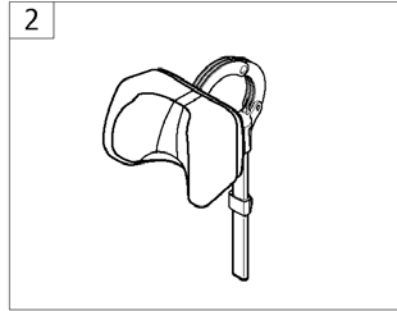
Pos.	Part number	Description	Valid from → until	Qty
1	SP1541858	Transfer kit (pair)		1
2	SP1541837	Plug rectangular		4

Transportation attachment kit



Pos.	Part number	Description	Valid from → until	Qty
1	1561364	Transportation kit Action 1 NG		2

Seating options



-<SPACTION1NG92

Pos.	Part number	Description	Valid from → until	Qty
1	-	Cushions Nylon [SB_0841]		1
2	-	Neckrest [SB_0909]		1
3	-	Heels strap [SB_0920]		1
4	-	Back Brace [SB_0940]		1

Cushions Nylon

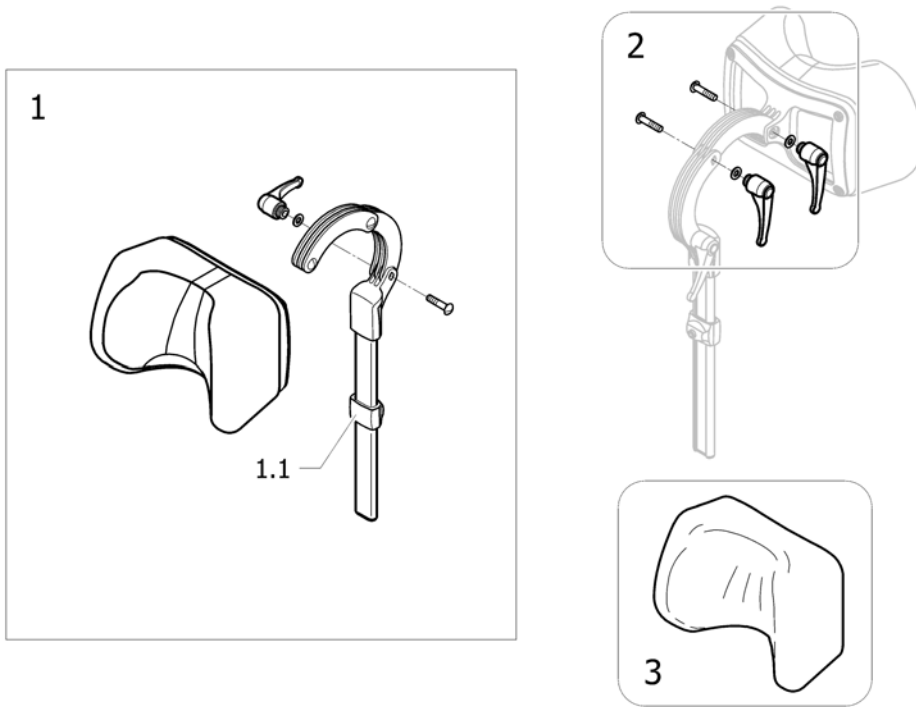
	Action 3NG EspritA4NG		Action 4NG		Action 2000 Action 2NG		Action 1NG		Variable
	SD400	SD450	SD400	SD450	SD400	SD450	SD400	SD450	
	SW380	1	7	1	7	1	7	-	
SW405	2	8	2	8	2	8	2	8	2
SW430	3	9	3	9	3	9	3	9	3
SW455	4	10	4	10	4	10	4	10	4
SW480	5	11	5	11	5	11	5	11	5
SW505	6	12	6	12	-	-	6	12	6
SW555	-	-	-	13	-	-	-	-	-
SW605	-	-	-	14	-	-	-	-	-



ISPS:1551.050

Pos.	Part number	Description	Valid from → until	Qty
1	SP1586069-3840	Cushion seat foam Nylon SW380 SD400 <i>Replace 1541977</i>		1
2	SP1586069-4040	Cushion seat foam Nylon SW405 SD400 <i>Replace 1541977</i>		1
3	SP1586069-4340	Cushion seat foam Nylon SW430 SD400 <i>Replace 1541979</i>		1
4	SP1586069-4540	Cushion seat foam Nylon SW455 SD400 <i>Replace 1541979</i>		1
5	SP1586069-4840	Cushion seat foam Nylon SW480 SD400 <i>Replace 1541981</i>		1
6	SP1586069-5040	Cushion seat foam Nylon SW505 SD400 <i>Replace 1541981</i>		1
7	SP1586069-3845	Cushion seat foam Nylon SW380 SD450 <i>Replace 1541978</i>		1
8	SP1586069-4045	Cushion seat foam Nylon SW405 SD450 <i>Replace 1541978</i>		1
9	SP1586069-4345	Cushion seat foam Nylon SW430 SD450 <i>Replace 1541980</i>		1
10	SP1586069-4545	Cushion seat foam Nylon SW455 SD450 <i>Replace 1541980</i>		1
11	SP1586069-4845	Cushion seat foam Nylon SW480 SD450 <i>Replace 1541982</i>		1
12	SP1586069-5045	Cushion seat foam Nylon SW505 SD450 <i>Replace 1541982</i>		1
13	SP1586069-5545	Cushion seat foam Nylon SW555 SD450 <i>Replace 1548447</i>		1
14	SP1586069-6045	Cushion seat foam Nylon SW605 SD450 <i>Replace 1548448</i>		1

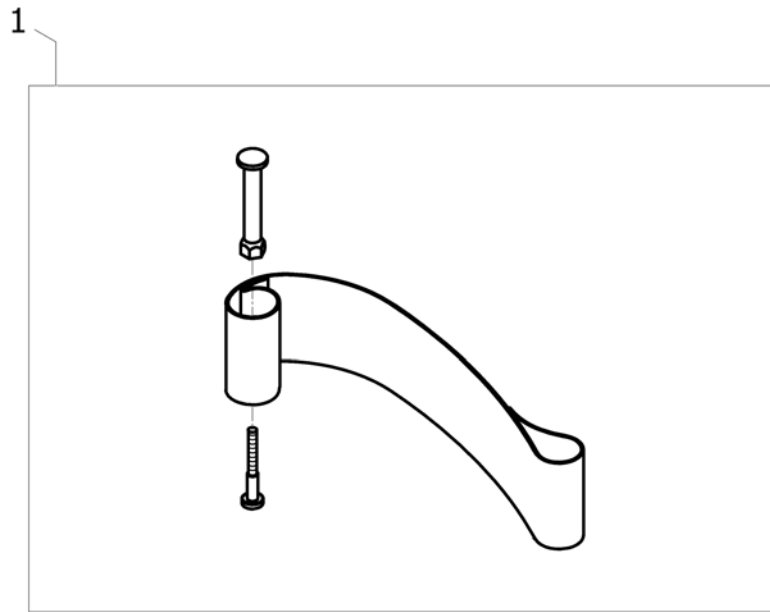
Neckrest



!SPS1548246

Pos.	Part number	Description	Valid from → until	Qty
1	1508848	NECKREST, CPL		1
1.1	1448661	stop neck and headrest		1
2	1445693	HANDLES, CLINIC KIT NECK- AND HEADREST		1
3	1518517	Cover neckrest TR34		1

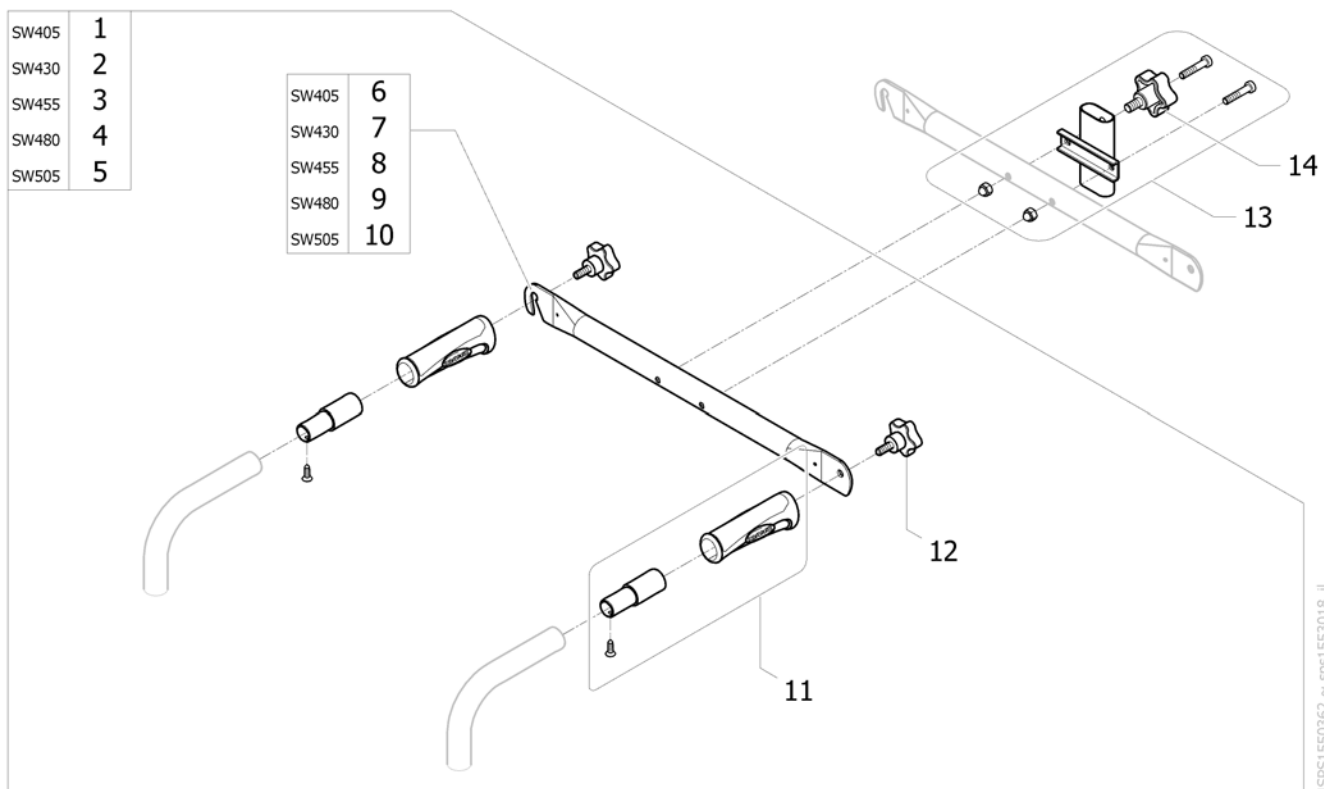
Heels strap



15P133490

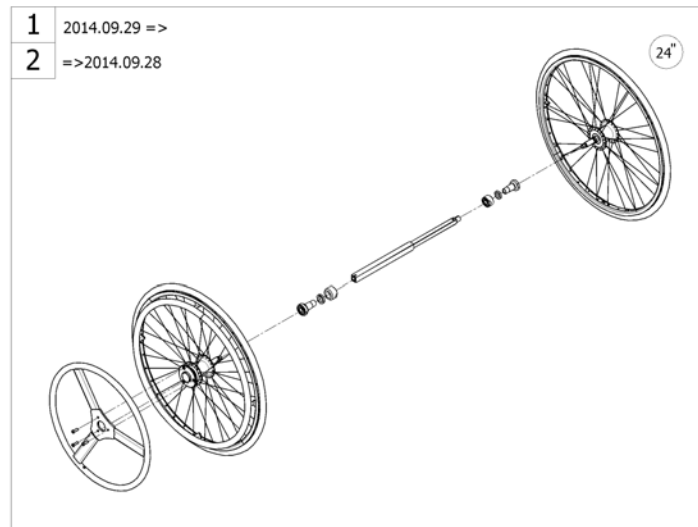
Pos.	Part number	Description	Valid from → until	Qty
1	1492315	Kit heelstrap, adjustable, medium <i>Replace 1534891</i>		2

Back Brace



Pos.	Part number	Description	Valid from → until	Qty
1	1553333	Backbrace with inserts and handles SW405mm		1
2	1553334	Backbrace with inserts and handles SW430 mm		1
3	1553335	Backbrace with inserts and handles SW455 mm		1
4	1553336	Backbrace with inserts and handles SW480 mm		1
5	1553337	Backbrace with inserts and handles SW505 mm		1
6	1428536-0601	Backbrace SW405 mm black RAL9005		1
7	1428537-0601	Backbrace SW430 mm black RAL9005		1
8	1428538-0601	Backbrace SW455 mm black RAL9005		1
9	1428539-0601	Backbrace SW480 mm black RAL9005		1
10	1428540-0601	Backbrace SW505 mm black RAL9005		1
11	1553332	Kit backrest post handle extension A1 NG		2
12	0021-60029	Button Ø32 mm M6x16		2
13	1554616	Kit headrest support (bracket+screw+bolt+button screw M8) Action NG		1
14	0021-60026	Button screw 40 mm M8x16		1

Propulsion options

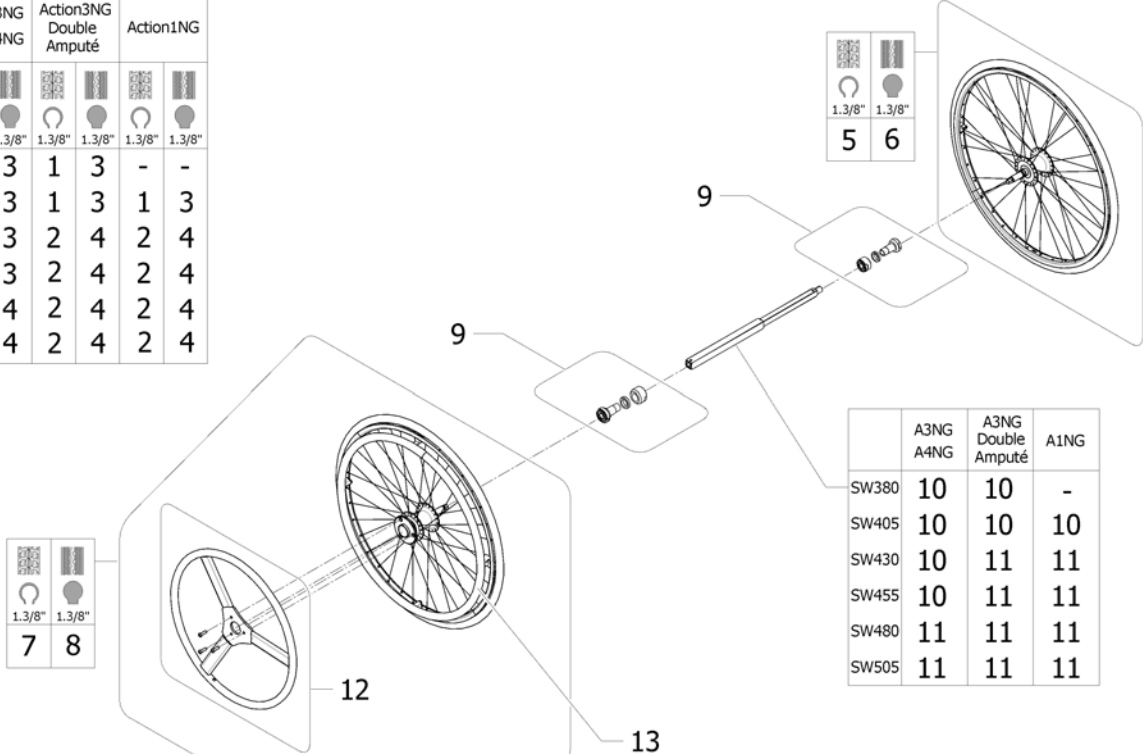


-<SPACTIONING96

Pos.	Part number	Description	Valid from → until	Qty
1	-	Dual handrim QR axle 2014.09.29 =>		1
2	-	Dual handrim QR axle => 2014.09.28	→ 2014-09-28	1

Dual handrim QR axle 2014.09.29 =>

	Action3NG Action4NG		Action3NG Double Amputé		Action1NG	
	1.3/8"	1.3/8"	1.3/8"	1.3/8"	1.3/8"	1.3/8"
SW380	1	3	1	3	-	-
SW405	1	3	1	3	1	3
SW430	1	3	2	4	2	4
SW455	1	3	2	4	2	4
SW480	2	4	2	4	2	4
SW505	2	4	2	4	2	4

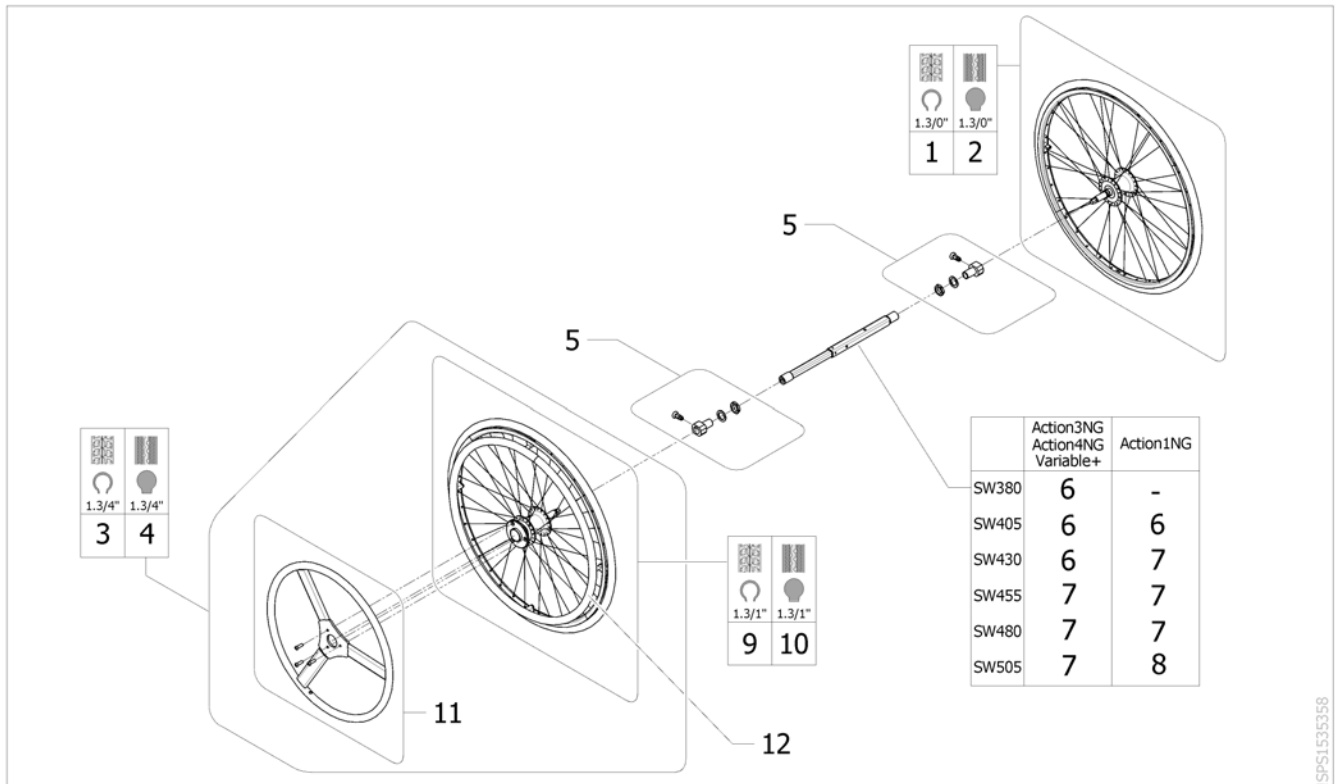


	A3NG A4NG	A3NG Double Amputé	A1NG
SW380	10	10	-
SW405	10	10	10
SW430	10	11	11
SW455	10	11	11
SW480	11	11	11
SW505	11	11	11

ISPS1585158

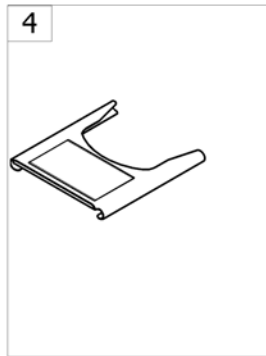
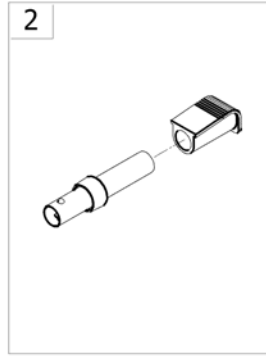
Pos.	Part number	Description	Valid from → until	Qty
1	SP1585323	Dual handrim DHR pneumatic kit assy SW380/405/430/455 mm		1
2	SP1585324	Dual handrim DHR pneumatic kit assy SW430/455/480/505 mm		1
3	SP1585325	Dual handrim DHR solid tyre kit assy SW380/405/430/455 mm		1
4	SP1585326	Dual handrim DHR solid tyre kit assy SW430/455/480/505 mm		1
5	SP1572681	24" DHR Passive wheel, pneumatic + axle		1
6	SP1572682	24" DHR Passive wheel, solid tyre + axle		1
7	SP1572683	24" DHR Active wheel, pneumatic + axle + small handrim		1
8	SP1572684	24" DHR Active wheel, solid tyre + axle + small handrim		1
9	SP1572685	Wheel bearing for DHR		2
10	SP1572544	Telescopic shaft "A" for DHR, mini=259mm, maxi=359mm		1
11	SP1572545	Telescopic shaft "B" for DHR, mini=340mm, maxi=438mm		1
12	SP1585327	Small handrim + screw + sticker		1
13	SP1585328	24" Aluminium handrim + 6 fixations		1

Dual handrim QR axle => 2014.09.28



Pos.	Part number	Description	Valid from → until	Qty
1	1508491	24" DHR passive wheel pneumatic	→ 2014-09-28	1
2	1508490	24" DHR passive wheel solid	→ 2014-09-28	1
3	1509382	24" DHR active wheel pneumatic	→ 2014-09-28	1
4	1509436	24" DHR active wheel solid	→ 2014-09-28	1
5	1513658	DHR wheel axle support complet	→ 2014-09-28	2
6	1511769	Telescopic Shaft 270 mm -385mm	→ 2014-09-28	1
7	1508487	Telescopic Shaft 345 mm -460mm	→ 2014-09-28	1
8	1511770	Telescopic Shaft 375 mm -495mm	→ 2014-09-28	1
9	1508485	24" DHR active wheel pneumatic w/o small handrim	→ 2014-09-28	1
10	1508486	24" DHR active wheel solid w/o small handrim	→ 2014-09-28	1
11	1508484	Small handrim + fixations	→ 2014-09-28	1
12	1514223	24" Aluminium handrim + 6 fixations	→ 2014-09-28	1

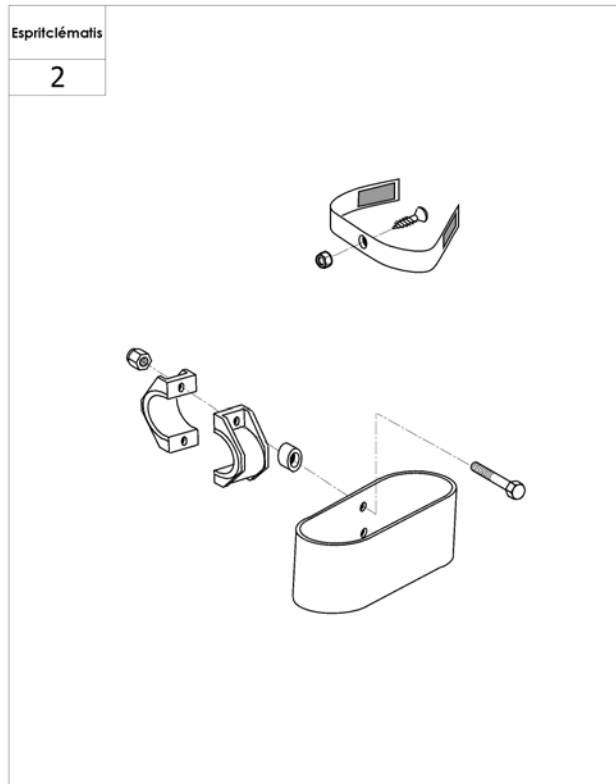
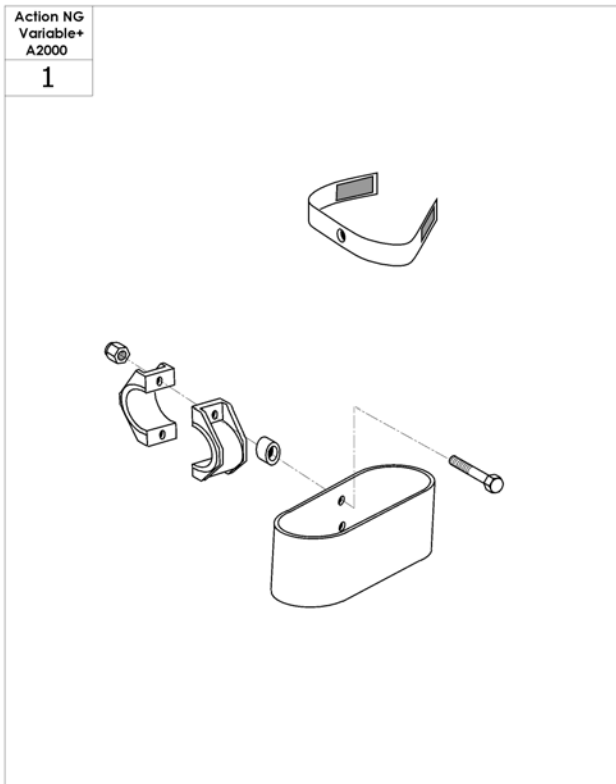
Others options & accessories



->SPCACTION1NG98

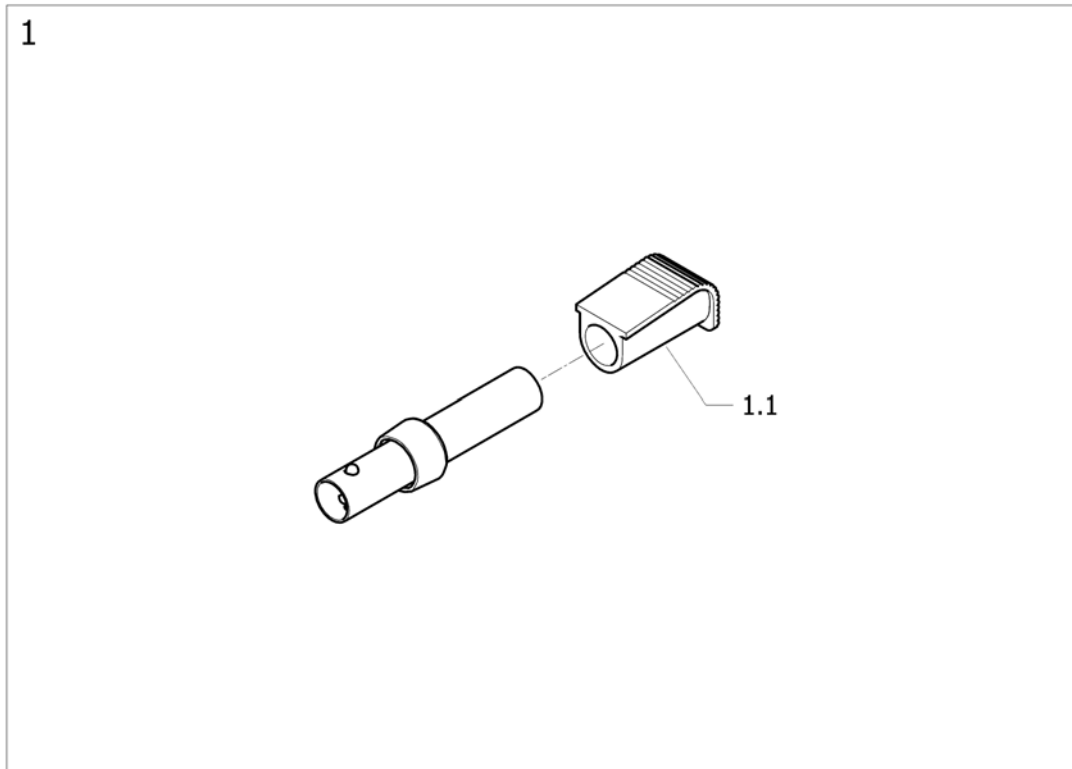
Pos.	Part number	Description	Valid from → until	Qty
1	-	Cane holder [SB_1430]		1
2	-	Tipping aid [SB_1440][SB_1441]		1
3	-	Dripstand [SB_1451]		1
4	-	Transparent Tray [SB_1480]		1
5	-	Tools kit [SB_1490]		1

Cane holder



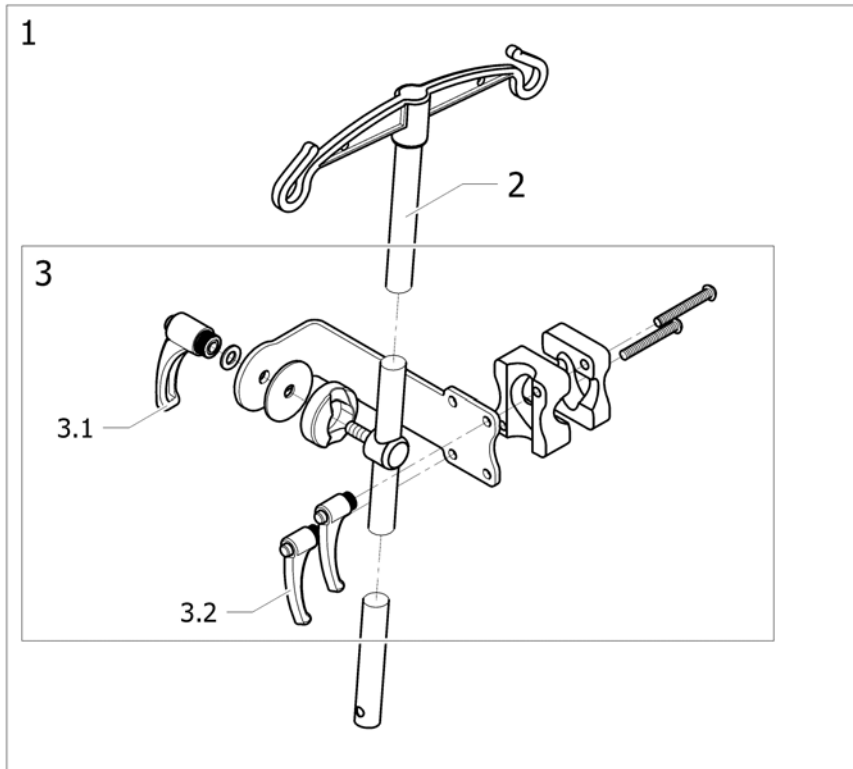
Pos.	Part number	Description	Valid from → until	Qty
1	0572-02056	Cane holder		1
2	1568838	Cane Holder Esprit Clem		1

Tipping aid



Pos.	Part number	Description	Valid from → until	Qty
1	SP1548394	Kit tipping aid A1 NG		2
1.1	0021-20011	Black end cap for tipping aid		2

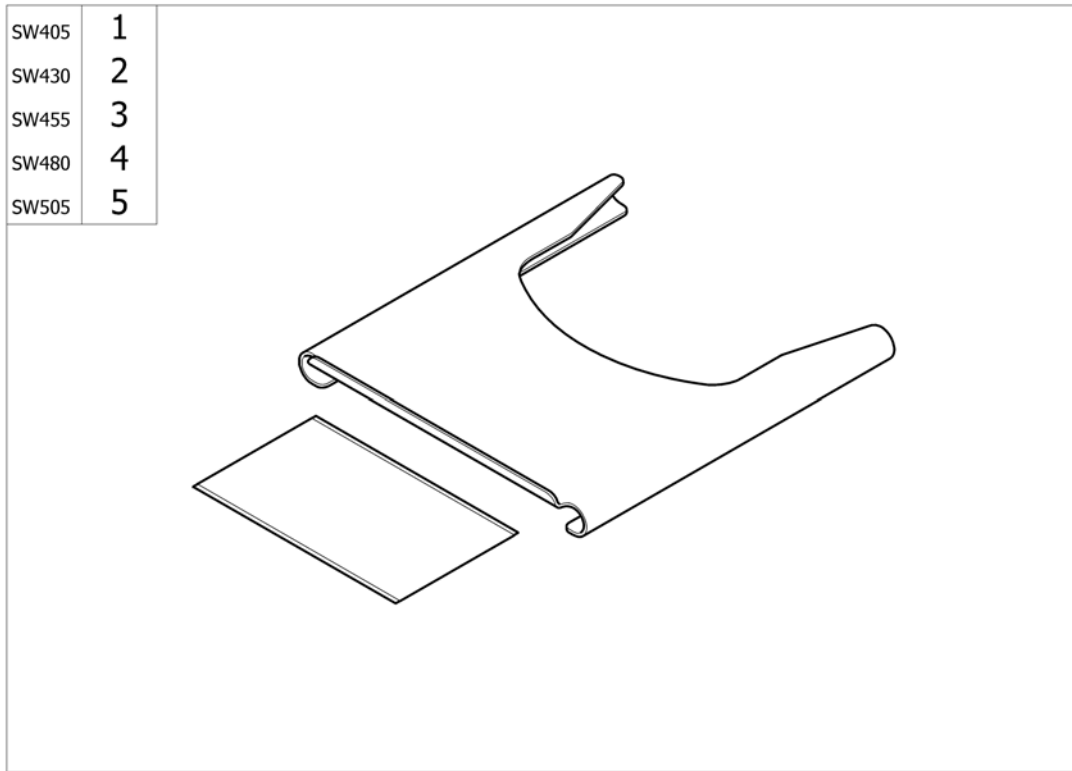
Dripstand



!SPS1535040

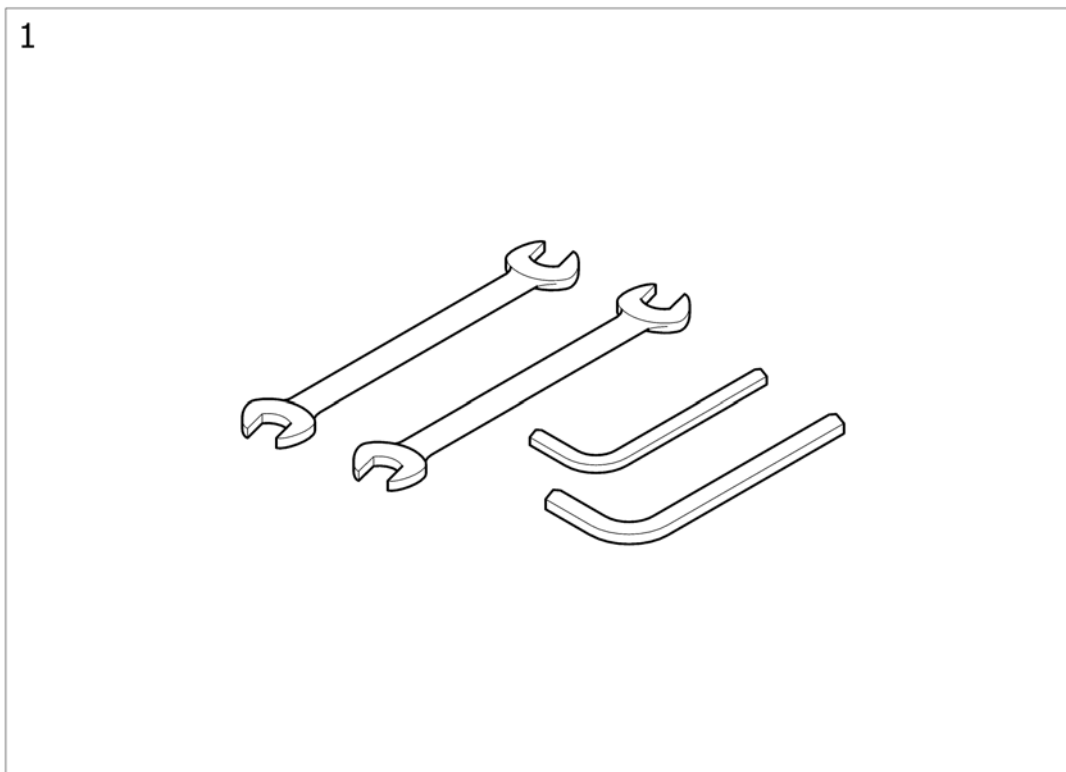
Pos.	Part number	Description	Valid from → until	Qty
1	1534212	Dripstand mounted on back brace		1
2	2240-06160	Dripstand		1
3	1541969	Drip stand support on backbrace		1
3.1	0021-70011	Indexable lever 63 mm M8		1
3.2	1428547	Indexable Lever; Female M6		2

Transparent Tray



Pos.	Part number	Description	Valid from → until	Qty
1	1450923	Transparent tray Action with anti-slip mat SW430 mm		1
2	1450924	Transparent tray Action with anti-slip mat SW455 mm		1
3	1450925	Transparent tray Action with anti-slip mat SW480 mm		1
4	1450926	Transparent tray Action with anti-slip mat SW505 mm		1
5	1551083	Transparent tray Action1NG with anti_slip mat SW510 mm		1

Tools kit



Pos.	Part number	Description	Valid from → until	Qty
1	SP1156357	Action 1 NG tools kit		1



Yes, you can.®



Belgium & Luxemburg:

Invacare nv, Autobaan 22, B-8210 Loppem
Tel: (32) (0)50 83 10 10, Fax: (32) (0)50 83 10 11
belgium@invacare.com / www.invacare.be

Denmark:

Invacare A/S, Sdr. Ringvej 37, DK-2605 Brøndby
Tel: (45) (0)36 90 00 00, Fax: (45) (0)36 90 00 01
denmark@invacare.com / www.invacare.dk

Deutschland:

Invacare Aquatec GmbH, Alemannenstraße 10, D-88316 Isny
Tel: (49) (0)75 62 7 00 0, Fax: (49) (0)75 62 7 00 66
info@invacare-aquatec.com / www.invacare-aquatec.de

European Distributor Organisation:

Invacare, Kleiststraße 49, D-32457 Porta Westfalica
Tel: (49) (0)57 31 754 540, Fax: (49) (0)57 31 754 541
edo@invacare.com / www.invacare.eu.com

España:

Invacare SA, c/Areny s/n, Polígon Industrial de Celrà, E-17460 Celrà (Girona)
Tel: (34) (0)972 49 32 00, Fax: (34) (0)972 49 32 20
contactsp@invacare.com / www.invacare.es

France:

Invacare Poirier SAS, Route de St Roch, F-37230 Fondettes
Tel: (33) (0)2 47 62 64 66, Fax: (33) (0)2 47 42 12 24
contactfr@invacare.com / www.invacare.fr

Ireland:

Invacare Ireland Ltd, Unit 5 Seatown Business Campus, Seatown Road, Swords, County Dublin - Ireland
Tel: (353) 1 810 7084, Fax: (353) 1 810 7085
ireland@invacare.com / www.invacare.ie

Italia:

Invacare Mecc San s.r.l., Via dei Pini 62, I-36016 Thiene (VI)
Tel: (39) 0445 38 00 59, Fax: (39) 0445 38 00 34
italia@invacare.com / www.invacare.it

Nederland:

Invacare BV, Celsiusstraat 46, NL-6716 BZ Ede
Tel: (31) (0)318 695 757, Fax: (31) (0)318 695 758
nederland@invacare.com, csede@invacare.com / www.invacare.nl

Norge:

Invacare AS, Grensesvingen 9, Postboks 6230, Etterstad, N-0603 Oslo
Tel: (47) (0)22 57 95 00, Fax: (47) (0)22 57 95 01
norway@invacare.com, island@invacare.com / www.invacare.no

Österreich:

Invacare Austria GmbH, Herzog Odilostrasse 101, A-5310 Mondsee
Tel: (43) 6232 5535 0, Fax: (43) 6232 5535 4
info-austria@invacare.com / www.invacare.at

Portugal:

Invacare Lda, Rua Estrada Velha, 949, P-4465-784 Leça do Balio
Tel: (351) (0)225 1059 46/47, Fax: (351) (0)225 1057 39
portugal@invacare.com / www.invacare.pt

Sverige & Suomi:

Invacare AB, Fagerstagatan 9, S-163 91 Spånå
Tel: (46) (0)8 761 70 90, Fax: (46) (0)8 761 81 08
sweden@invacare.com, finland@invacare.com / www.invacare.se

Switzerland:

Invacare AG, Benkenstrasse 260, CH-4108 Witterswil
Tel: (41) (0)61 487 70 80, Fax: (41) (0)61 487 70 81
switzerland@invacare.com / www.invacare.ch

United Kingdom:

Invacare Limited, Pencoed Technology Park, Pencoed, Bridgend CF35 5AQ
Switchboard Tel: (44) (0)1656 776200, Fax: (44) (0)1656 776201
Customer services Tel: (44) (0)1656 776222, Fax: (44) (0)1656 776220
uk@invacare.com / www.invacare.co.uk