

Spare Parts Catalogue

Version: 2016/05/10b EN



Rea® **Dahlia**



Yes, you can.®

General Information

For any order of spare parts the following information is required:

- Product type*
- Product name & model*
- Serial Number*
- Part-Number*
- Part-Description*

Exploded view drawings and code numbers are not contractual and subject to modification, in relation to Invacare® continuous product improvement policy to meet end users needs.

The reproduction or use of this work, or of any substantial part of this work, in any form or by any electronic, mechanical or other means, including photocopying, scanning and recording, and in any information storage and retrieval system, including electronic transmission, is forbidden without the prior written permission of Invacare® International Sarl.



Yes, you can.®

TABLE OF CONTENTS

Chassis

Seating plate	7
Backrest + seat tilt, assistant man.	8
Backrest + seat tilt, electric (2016.03=>)	9
Rearwheel attachment	10
Castor attachment	11
Castor attachment, high	12

Seat

Seat cushion, Flo-shape	13
Seat cushion, Vicair multifunctional	14
Seat cushion, Mistral2	15
Seat cushion, Flo-tech contour Visco (only for France)	16
Seat cushion, Flo-tech Xtra	17
Incontinents cover	18

Backrest

Backrest Flex3, fixed	19
Backrest Flex3, tension adj.	20
Backrest Laguna, fixed	21
Backrest Laguna, tension adj. (30° tilt only)	22
Backrest Matrix, straight	24
Backrest Matrix, bended	26
Backrest width extension	27
Cushions, Flex3 backrest	28
Push handles	30
Pushbar adj. Azalea	31
Curvature cushion	32

Legrests

Legrest attachment	33
Legrest AA, ALU2008	34
Legrest 80° Alu2003, Fixed	35
Legrest 90° Alu2003, Fixed	36
Amputee legrest	37
Heel strap	38
Footplate cover	39
Calf strap, padded	40
Central footrest	41

Footrests

Footrest one piece	42
Footrest, fixed, Alu2003	43
Footrest, AA, Alu2003	44
Extender, footplate	46
Heel strap	38

Siderests



Yes, you can.®

TABLE OF CONTENTS

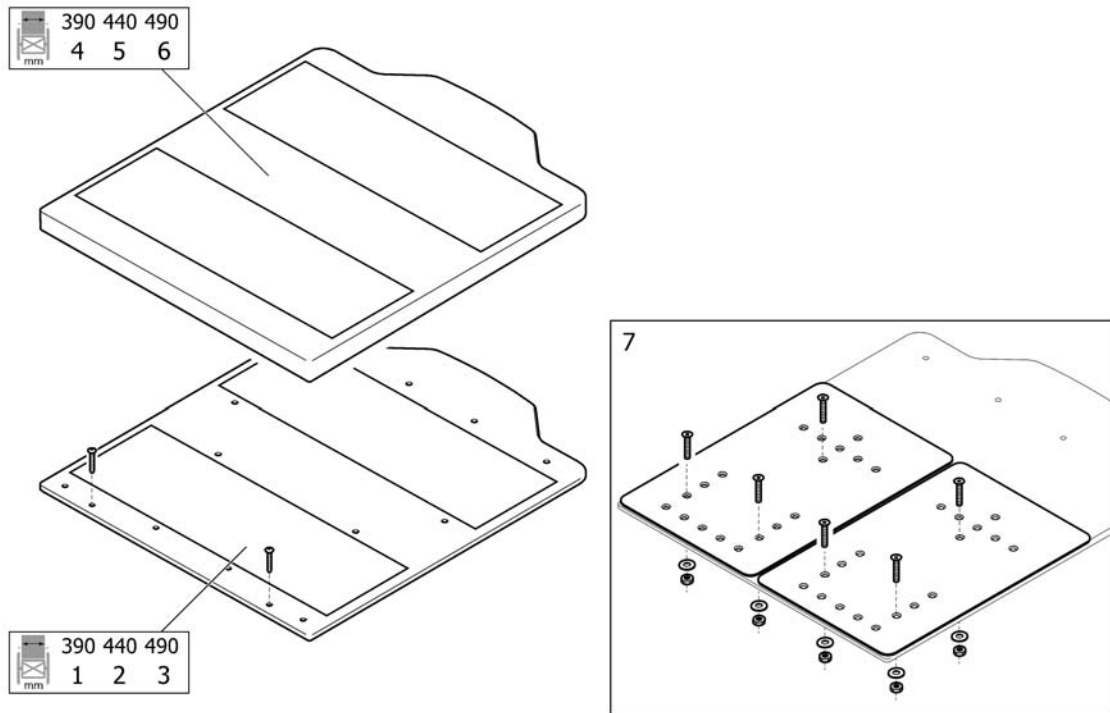
Armrest, ducktail	47
Armrest, Rio	48
Armrest, wide	49
Armrest, hemi	50
Pad, siderest	51
Armrest attachment	52
Front wheels	
Castor wheels	53
Rear wheels	
Wheels 16"	54
Wheels 24" Basic	55
Wheels 24" Basic DB	56
Wheel 24-22-20"	57
Handrim Stainless Cpl, 24" Wheel, Std2010	59
Wheel 24-22" DB	60
Handrim Stainless Cpl, 24" Wheel, Std2010	59
Brakes	
Brake, user manoeuvred 20-24" wheel	62
Brake, user manoeuvred 16" wheel	63
Drumbrake, assistant manoeuvred	64
Safety Options	
Pelvic belt	65
Anti-tip device	66
Anti-tip device, extra low	67
Positioning belt attachment	68
Transportation brackets	69
Attachment, X-harness, Flex3	70
Seating Options	
Headrest	71
Neckrest	72
Cheek support	73
Pommel	74
Trunk supports, Flex3 backrest	75
Trunk supports, Flex3 tension adj. backrest	76
Trunk support, multi adj, Swingaway, Laguna2	77
Head-/Neckrest pole	78
Propulsion options	
One arm drive	79
Others Options & Accessories	
Table tray	80
Table tray, Azalea Max	81
Table tray with armpad	82



Yes, you can.®

TABLE OF CONTENTS

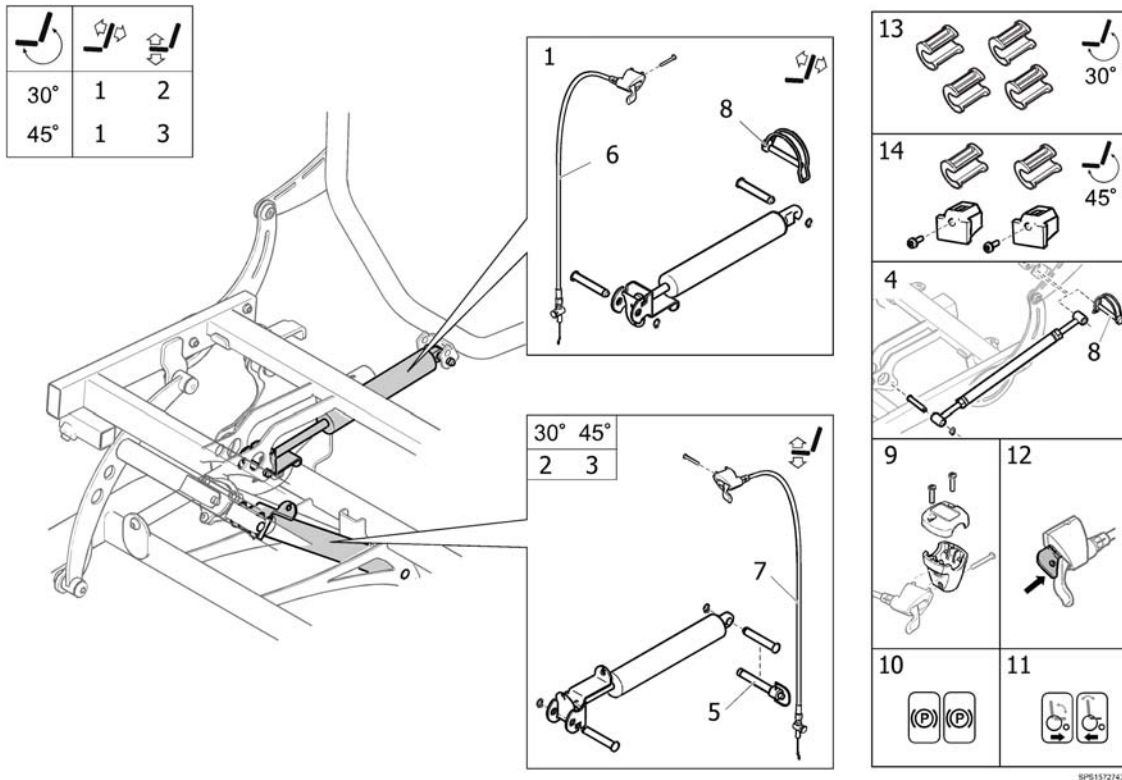
Table tray "Swingaway"	83
Tilt scale	84
Pump	85
Step tube	86
Colour kit	87
Crutch holder, Flex3 backrest	88
Accessory tray	89
Dripstand	90
Wash sealing kit	91
Clinic kit	92



SP157277

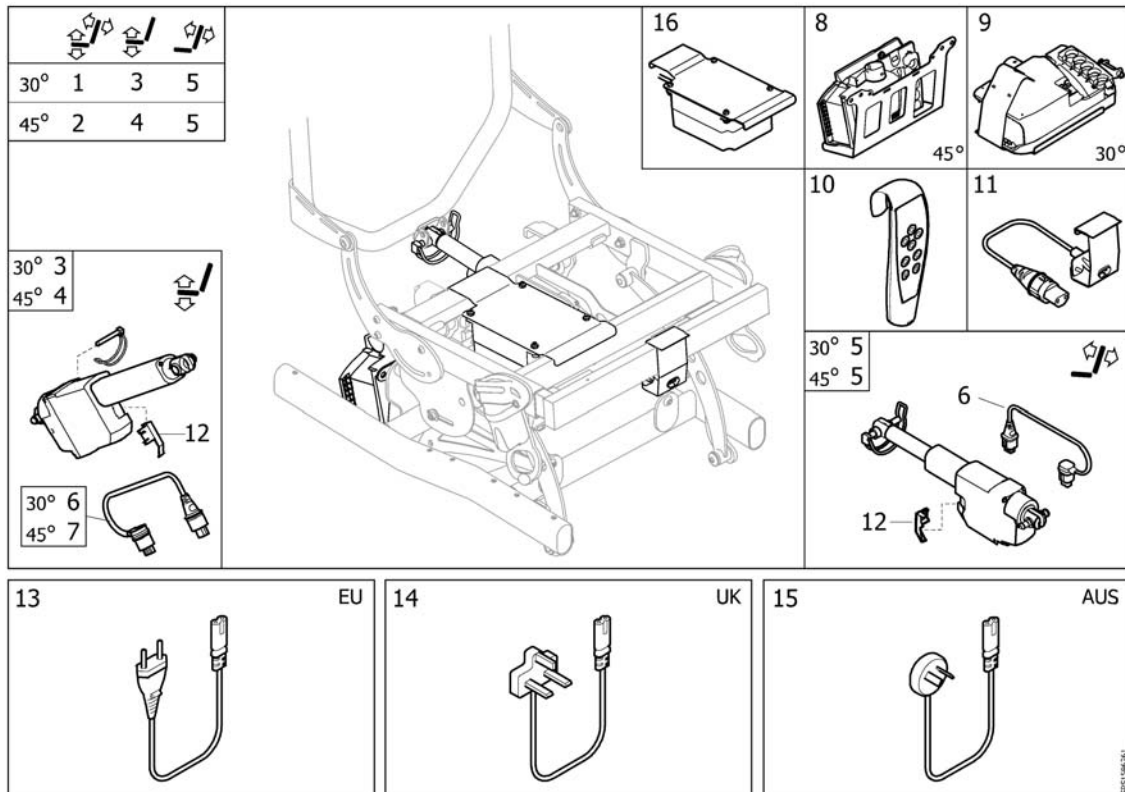
Pos.	Part number	Description	Valid from → until	Qty
1	SP1572770	Seat plate 390 cpl.		1
2	SP1572771	Seat plate 440 cpl.		1
3	SP1572772	Seat plate 490 cpl.		1
4	SP1570896	Seat plate 390 cpl., high ext.		1
5	SP1572855	Seat plate 440 cpl., high ext.		1
6	SP1572856	Seat plate 490 cpl., high ext.		1
7	SP1574225	Kit, width extension, seat plate		1

Backrest + seat tilt, assistant man.



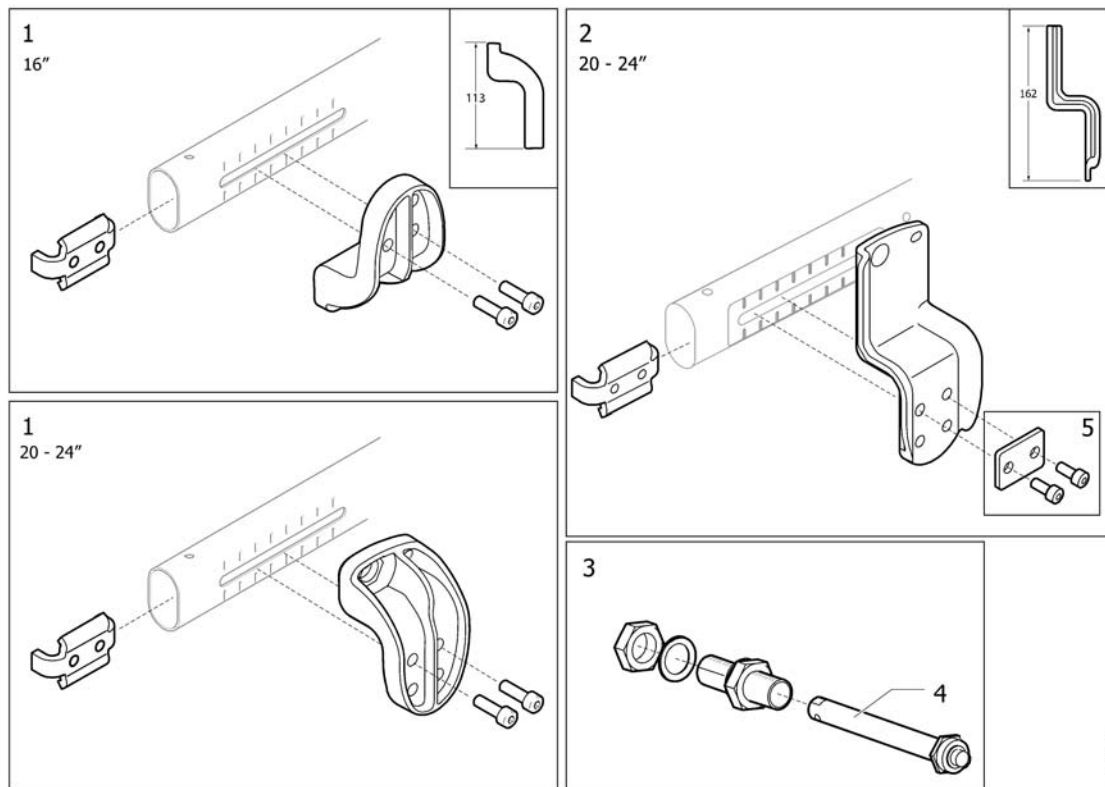
Pos.	Part number	Description	Valid from → until	Qty
1	SP1572743	Backrest tilt, assistant manoeuvred		1
2	SP1570897	Seat tilt 30°, assistant manoeuvred		1
3	SP1572778	Seat tilt 45°, assistant manoeuvred		1
4	SP1570962	Kit, fixed backrest		1
5	SP1575574	QR LOCKING PIN		1
6	1536328	CABLE ASSY 1190, LH, TILT, INCL. SCREW		1
7	1536327	CABLE ASSY 1363, RH, TILT, INCL. SCREW		1
8	1439936	PIN WITH LOOP 8X60		1
9	1527287	Housing Cpl, Tilt		1
10	1536764	DECAL, CABLE ASSEMBLY, BRAKE		1
11	1536373	DECAL, CABLE ASSEMBLY, TILT		1
12	1527435	LOCKING DEVICE, MANOUVERING KIT		1
13	SP1570981	TILT STOP DAHLIA 30°		1
14	SP1570982	TILT BLOCK DAHLIA 45° PAIR		1

Backrest + seat tilt, electric (2016.03=>)



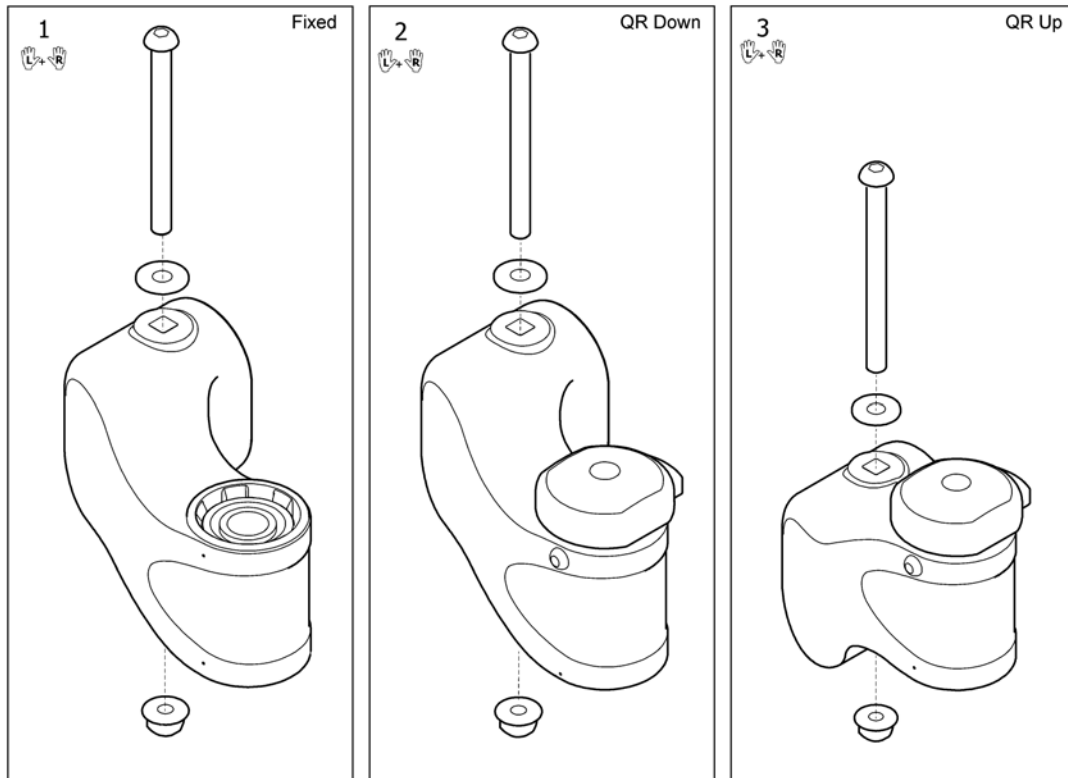
Pos.	Part number	Description	Valid from → until	Qty
1	SP1585233	Kit, power tilt 30° (powercable not included), (2016.03=>) <i>Only for Dahlia after 2016.03.01!</i>		1
2	SP1585542	Kit, power tilt 45° (powercable not included) <i>Only for Dahlia after 2016.03.01!</i>		1
3	SP1585190	Kit, seat tilt 30°, cpl		1
4	SP1585191	Kit, seat tilt 45°, cpl		1
5	SP1585129	Kit, backrest tilt, cpl		1
6	SP1578477	Power cable, Actuator LA23		1
7	SP1590287	Power cable, inverted polarity, Actuator LA23		1
8	SP1585192	Control box CB6, CPL 45°		1
9	SP1585209	Control box CB6, CPL 30°		1
10	SP1582717	Handcontrol HB30, electric tilt		1
11	SP1582977	Plug cpl		1
12	SP1583029	Fixation, cable, Actuator LA23		1
13	SP1578459	Power Cable EU		1
14	SP1578460	Power Cable UK		1
15	SP1578461	Power Cable AUSTRALIA		1
16	SP1585193	Battery cpl		1

Rearwheel attachment



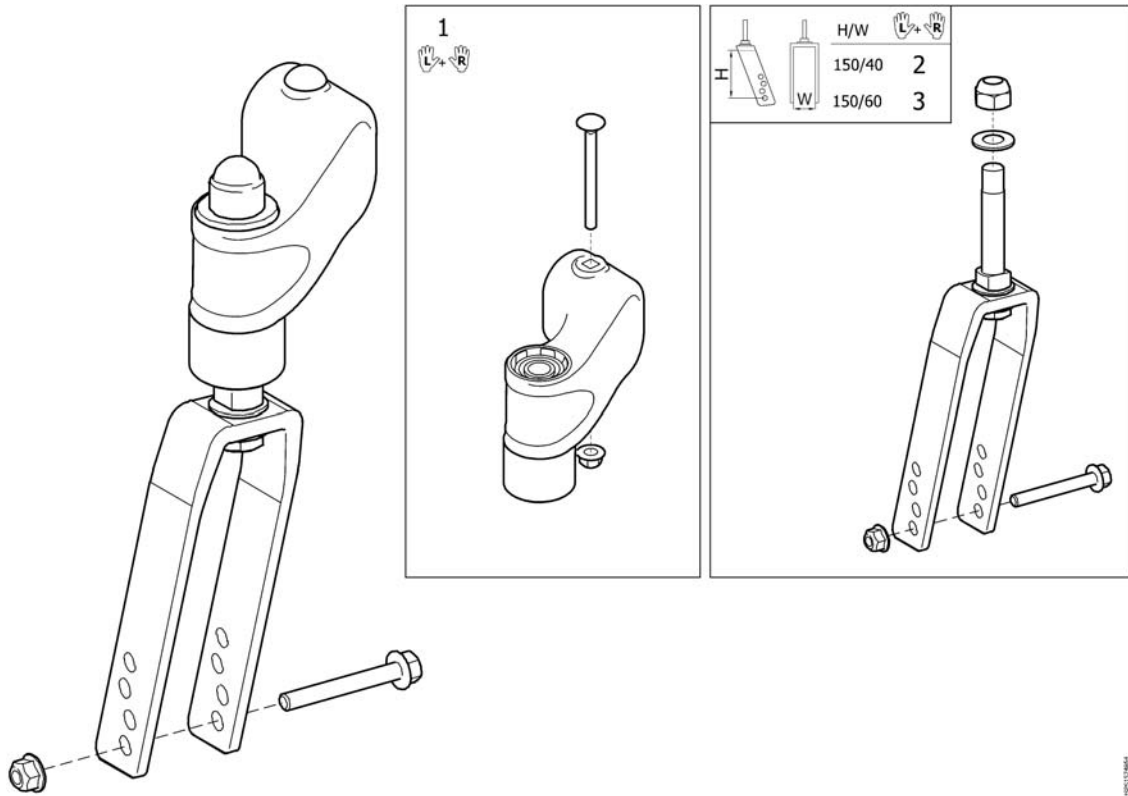
Pos.	Part number	Description	Valid from → until	Qty
1	SP1572729	Rearwheel attachm., low, pair		1
2	SP1572728	Rearwheel attachm., high, pair		1
3	5750166	AXLE HOUSING CPL + AXLE QR		1
4	5750165	QR Axle 12mm		1

Castor attachment



Pos.	Part number	Description	Valid from → until	Qty
1	SP1571101	CASTOR ATTACHMENT, PAIR		1
2	SP1572001	CASTOR ATTACHMENT QR, PAIR, DOWNWARD		1
3	SP1580879	CASTOR ATTACHMENT QR, PAIR, UPWARD		1

Castor attachment, high

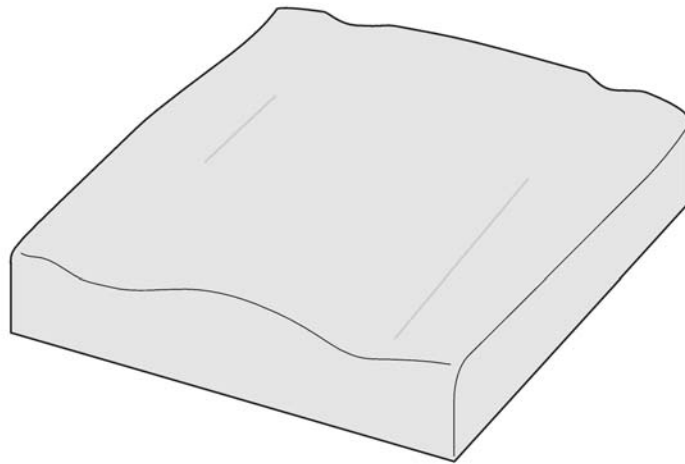


950151964

Pos.	Part number	Description	Valid from → until	Qty
1	1574864	CASTOR HOUSING HIGH, PAIR		1
2	1508011	CASTOR FORK CPL PAIR, NARROW		1
3	1508010	CASTOR FORK CPL PAIR, WIDE		1

Seat cushion, Flo-shape

SW (mm)	TR26	TR35	TR36
Azalea			
340	1	2	3
390	4	5	6
390 +50	4	5	6
390 +100	7	8	9
440	7	8	9
440 +50	7	8	9
440 +100	10	11	12
490	10	11	12
490 +50	10	11	12
490 +100	10	11	12
Bellis			
Small 410	4	5	
Medium 460	7	8	
Large 510	10	11	
Clematis			
390	1	2	
440	4	5	
490	7	8	
Dahlia			
390	4	5	6
390 +50	4	5	6
390 +100	7	8	9
440	7	8	9
440 +50	7	8	9
440 +100	10	11	12
490	10	11	12
490 +50	10	11	12
490 +100	10	11	12




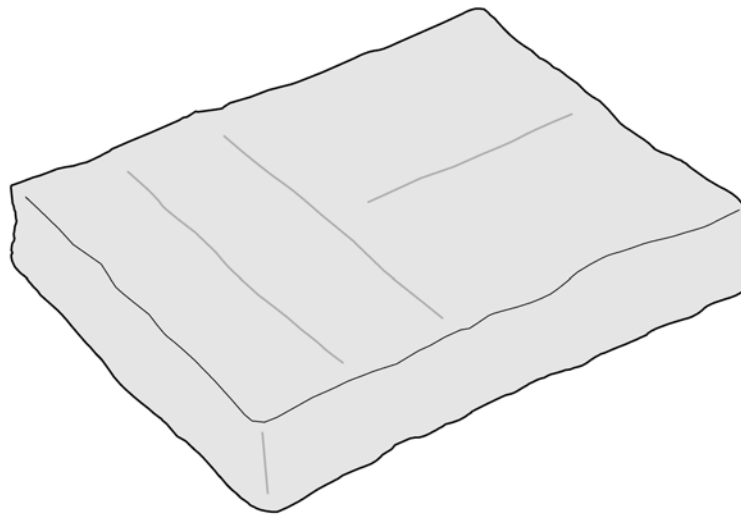
	Färg	Colour	Farbe	Couleur
TR26	dartex svart	dartex black	dartex schwarz	dartex noir
TR35	plysch svart	plysch black	plüsch schwarz	velours noir
TR36	spacer svart	spacer black	spacer schwarz	spacer noir

© 2009-15,04

Pos.	Part number	Description	Valid from → until	Qty
1	1509920-TR26	SEATCUSHION, FLOSHAPE, 355X450, DARTEX BLACK		1
2	1509920-TR35	SEATCUSHION, FLOSHAPE, 355X450, PLUSH BLACK		1
3	SP1509920-TR36	SEAT CUSHION, FLOSHAPE, 355X450, SPACER BLACK		1
4	1508055-TR26	SEAT CUSHION 405X535, FLOSHAPE, DARTEX BLACK		1
5	1508055-TR35	SEAT CUSHION 405X535, FLOSHAPE, PLUSH BLACK		1
6	SP1508055-TR36	SEAT CUSHION, FLOSHAPE, 405X535, SPACER BLACK		1
7	1508057-TR26	SEAT CUSHION 455X535, FLOSHAPE, DARTEX BLACK		1
8	1508057-TR35	SEAT CUSHION 455X535, FLOSHAPE, PLUSH BLACK		1
9	SP1508057-TR36	SEAT CUSHION, FLOSHAPE, 455X535, SPACER BLACK		1
10	1508059-TR26	SEAT CUSHION 505X535, FLOSHAPE, DARTEX BLACK		1
11	1508059-TR35	SEAT CUSHION 505X535, FLOSHAPE, PLUSH BLACK		1
12	SP1508059-TR36	SEAT CUSHION, FLOSHAPE, 505X535, SPACER BLACK		1

Seat cushion, Vicair multifunctional

 SW (mm)		
Azalea		
390		1
390 +50		2
390 +100		3
440		2
440 +50		3
440 +100		4
490		3
490 +50		4
490 +100		4
Bellis		
Small 410		2
Medium 460		3
Large 510		4
Dahlia		
390		1
390 +50		2
390 +100		3
440		2
440 +50		3
440 +100		4
490		3
490 +50		4
490 +100		4

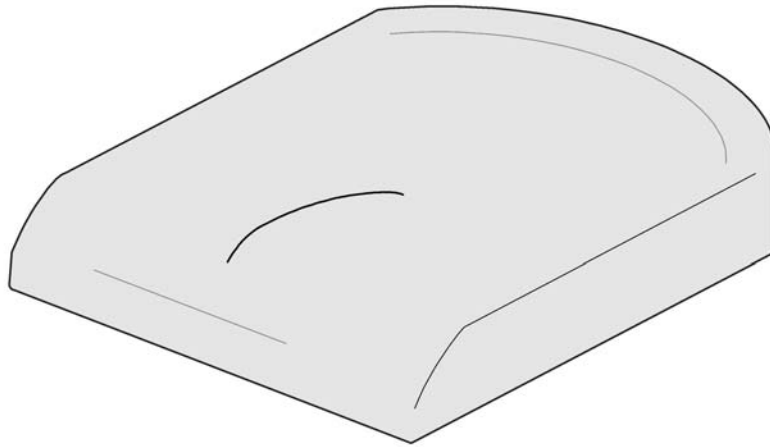


9551497347

Pos.	Part number	Description	Valid from → until	Qty
1	1497347	SEAT CUSHION 370X520X110, MULTI-FUNCTIONAL		1
2	1497348	SEAT CUSHION 400X520X110, MULTI-FUNCTIONAL		1
3	1497349	SEAT CUSHION 450X520X110, MULTI-FUNCTIONAL		1
4	1497387	SEAT CUSHION 500X520X110, MULTI-FUNCTIONAL		1

Seat cushion, Mistral2

SW (mm)	TR26	TR23
Azalea		
390	1	
440	2	
490	3	
Dahlia		
390	1	
390 +50	2	
390 +100	3	
440	2	
440 +50	3	
440 +100	4	
490	3	
490 +50	4	
490 +100	4	
Clematis		
390	1	5
440	2	6
490	3	7




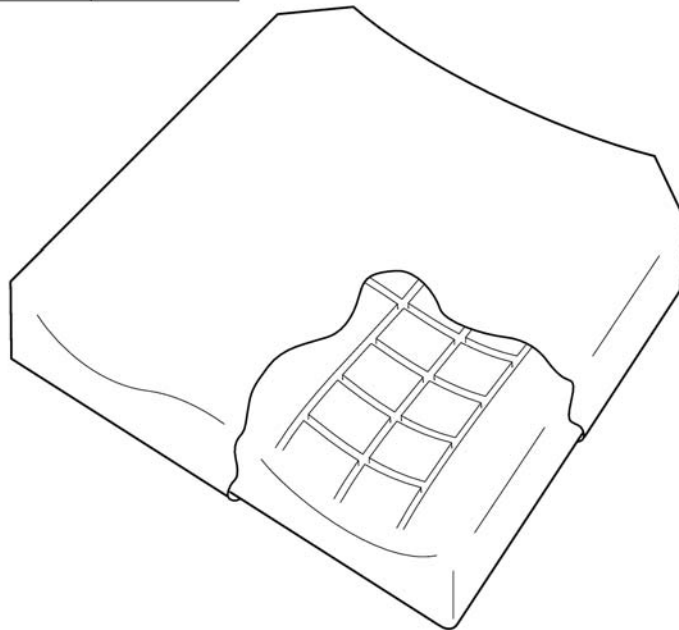
	Färg	Colour	Farbe	Couleur
TR26	dartex svart	dartex black	Dartex schwarz	dartex noir
--2012-04-01				
TR23	dartex grå	dartex grey	Dartex grau	dartex gris

6491151565

Pos.	Part number	Description	Valid from → until	Qty
1	SP1435856-TR26	SEAT CUSHION 365X490,MISTRAL 2-LAYER TR26		1
2	SP1435857-TR26	SEAT CUSHION 415X490,MISTRAL 2-LAYER TR26		1
3	SP1435858-TR26	SEAT CUSHION 465X490,MISTRAL 2-LAYER TR26		1
4	1435859-TR26	SEAT CUSHION 515X490, MISTRAL2, DARTEX BLACK		1
5	1435856	SEAT CUSHION 365X490, MISTRAL2, DARTEX GREY		1
6	1435857	SEAT CUSHION 415X490, MISTRAL2, DARTEX GREY		1
7	1435858	SEAT CUSHION 465X490, MISTRAL2, DARTEX GREY		1

Seat cushion, Flo-tech contour Visco (only for France)

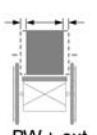
	39	+5	+10	44	+5	+10	49	+5	+10
SW (cm)	2	2	3	3	3	4	4	4	4
Azalea	1			2			3		
Cleamtis									

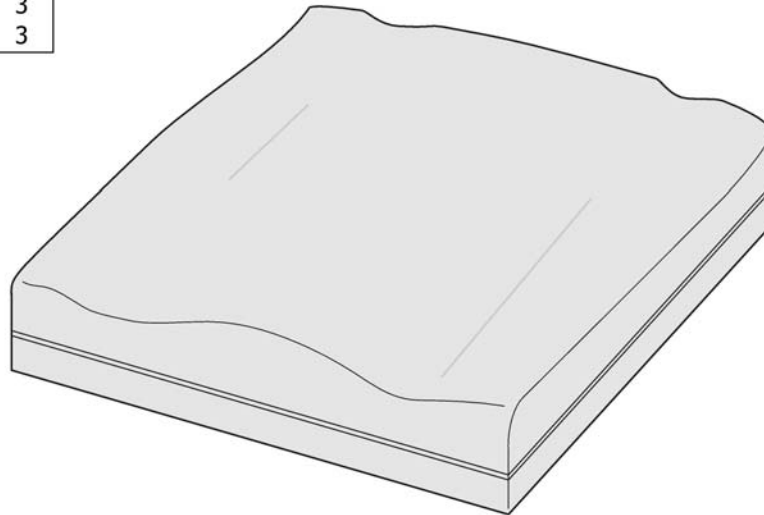


SPS1501122

Pos.	Part number	Description	Valid from → until	Qty
1	1501120	CUSHION FLO-TECH 355X535 CONTOUR MEDIUM VISCO W.C		1
2	1501121	CUSHION FLO-TECH 405X535 CONTOUR FIRM VISCO W.COV		1
3	1501122	CUSHION FLO-TECH 455X535 CONTOUR FIRM VISCO W.COV		1
4	1501123	CUSHION FLO-TECH 505X535 CONTOUR V.FIRM VISCO W.C		1

Seat cushion, Flo-tech Xtra

 <p>BW + ext.</p>	390	1
	390 +50	1
	390 +100	2
	440	2
	440 +50	2
	440 +100	3
	490	3
	490 +50	3
	490 +100	3

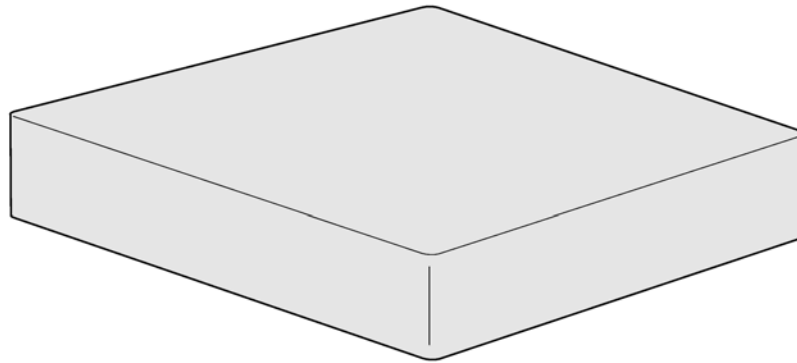


SP1542251

Pos.	Part number	Description	Valid from → until	Qty
1	1542249	SEAT CUSHION 405X535, FLO-TECH XTRA		1
2	1542250	SEAT CUSHION 455X535, FLO-TECH XTRA		1
3	1542251	SEAT CUSHION 505X535, FLO-TECH XTRA		1

Incontinents cover

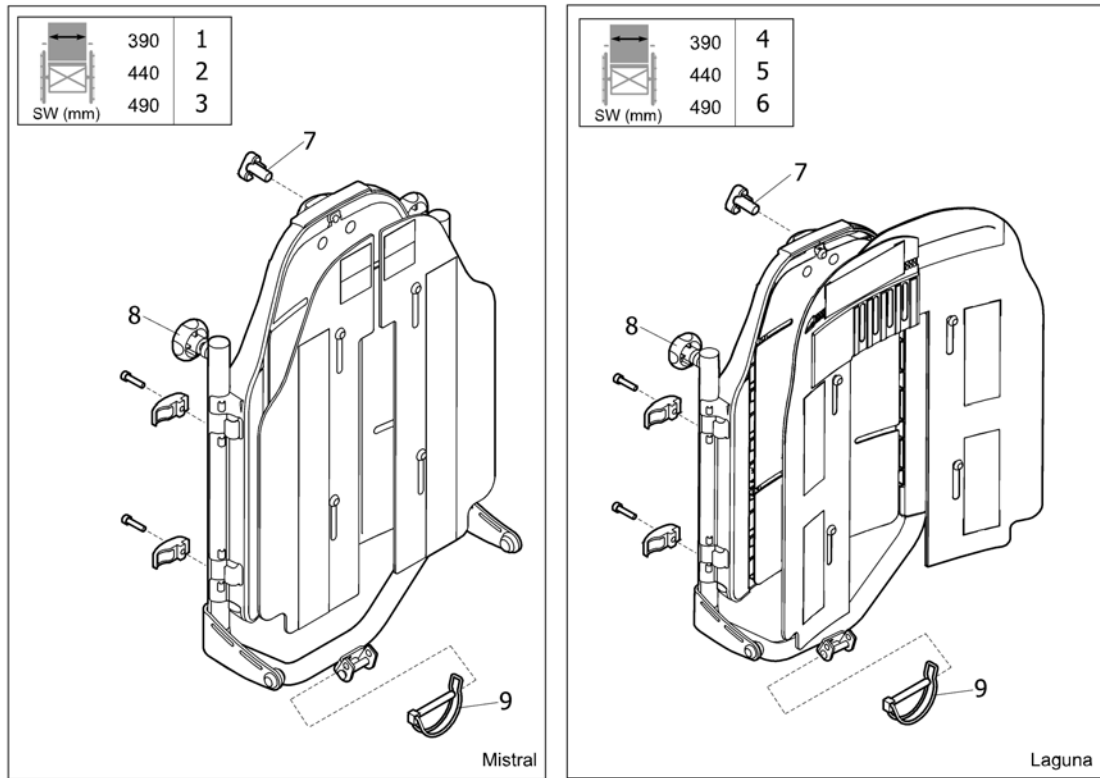
SW (mm)	
Azalea	
340	1
390	2
390 +50	3
390 +100	4
440	3
440 +50	4
440 +100	4
490	4
490 +50	4
490 +100	4
Bellis	
Small 410	2
Medium 460	3
Large 510	4
Dahlia	
390	2
390 +50	3
390 +100	4
440	3
440 +50	4
440 +100	4
490	4
490 +50	4
490 +100	4



5253078

Pos.	Part number	Description	Valid from → until	Qty
1	1510636	INCONTINENCE COVER 330X450, BLACK		1
2	5253078-TR26	INCONTINENCE COVER 380X500, BLACK		1
3	5253079-TR26	INCONTINENCE COVER 430X500, BLACK		1
4	5253080-TR26	INCONTINENCE COVER 480X500, BLACK		1
5	5253617-TR26	INCONTINENCE COVER 530X500, BLACK		1
6	1526617	INCONTINENCE COVER 550X635, BLACK		1
7	1526616	INCONTINENCE COVER 610X635, BLACK		1

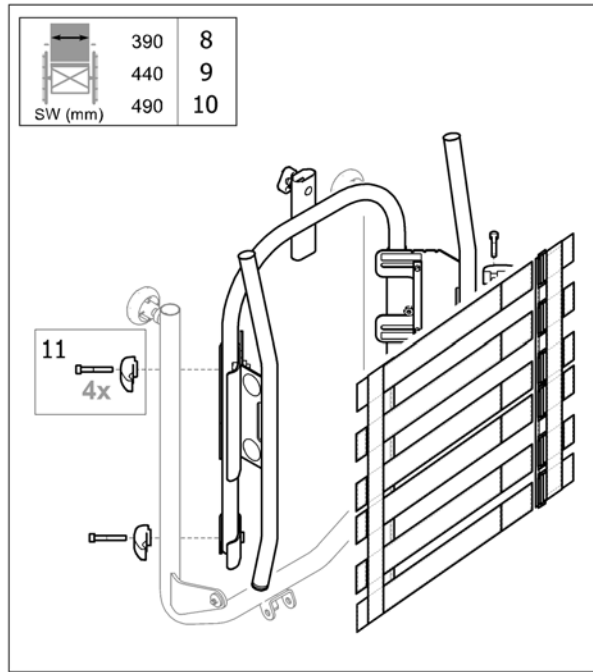
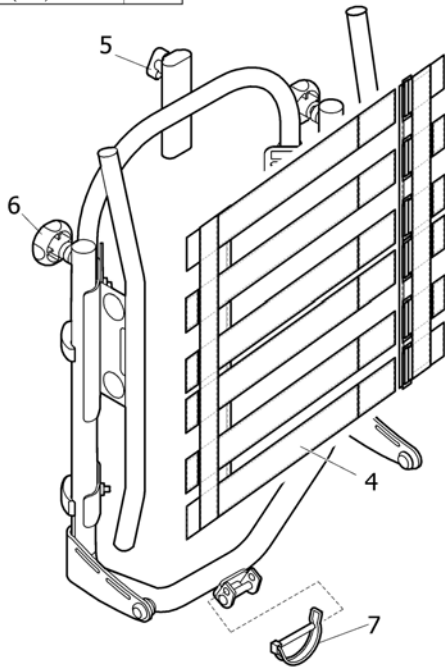
Backrest Flex3, fixed



Pos.	Part number	Description	Valid from → until	Qty
1	SP1572919	BACKREST 390 CPL, FLEX3, MISTRAL		1
2	SP1572920	BACKREST 440 CPL, FLEX3, MISTRAL		1
3	SP1572937	BACKREST 490 CPL, FLEX3, MISTRAL		1
4	SP1573298	BACKREST 390 CPL, FLEX3, LAGUNA		1
5	SP1573299	BACKREST 440 CPL, FLEX3, LAGUNA		1
6	SP1573300	BACKREST 490 CPL, FLEX3, LAGUNA		1
7	1497411	HANDWHEEL M12 LONG NECK/HEADREST		1
8	SP1518478	Handwheel M10, pair		1
9	1439936	PIN WITH LOOP 8X60		1

Backrest Flex3, tension adj.

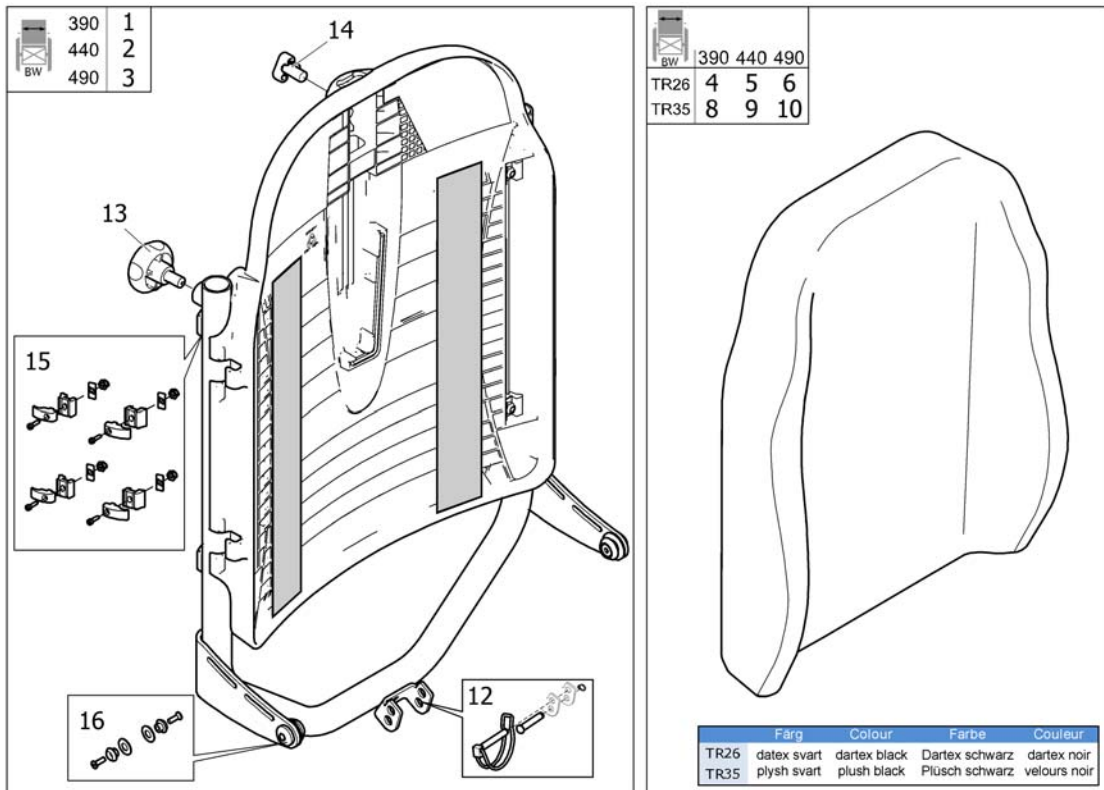
	390	1
	440	2
	490	3
SW (mm)		



15P51579638

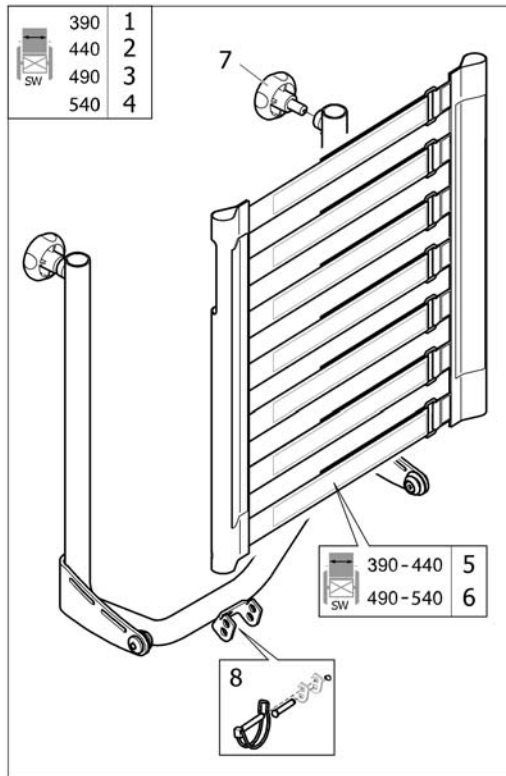
Pos.	Part number	Description	Valid from → until	Qty
1	SP1572938	BACKREST 390 TENSION ADJ., CPL, FLEX3		1
2	SP1572943	BACKREST 440 TENSION ADJ., CPL, FLEX3		1
3	SP1572944	BACKREST 490 TENSION ADJ., CPL, FLEX3		1
4	1549281	BACKREST BODY, ADJ.		1
5	1444175	Handwheel M12		1
6	SP1518478	Handwheel M10, pair		1
7	1439936	PIN WITH LOOP 8X60		1
8	SP1579675	FRAME 390, TENSION ADJ. BACKREST		1
9	SP1579692	FRAME 440, TENSION ADJ. BACKREST		1
10	SP1579693	FRAME 490, TENSION ADJ. BACKREST		1
11	SP1580557	ATTACHMENT KIT 4PCS, TENSION ADJ. BACKREST		1

Backrest Laguna, fixed



Pos.	Part number	Description	Valid from → until	Qty
1	SP1571979	BACKREST 390 LAGUNA CPL.		1
2	SP1571980	BACKREST 440 LAGUNA CPL.		1
3	SP1571981	BACKREST 490 LAGUNA CPL.		1
4	SP1427118-TR26	CUSHION, BACKREST LAGUNA 372X550, DARTEX BLACK		1
5	SP1427119-TR26	BACKREST CUSHION 402X550, LAGUNA, DARTEX BLACK		1
6	SP1427120-TR26	BACKREST CUSHION 452X550, LAGUNA, DARTEX BLACK		1
7	SP1427121-TR26	BACKREST CUSHION 492X550, LAGUNA, DARTEX BLACK		1
8	SP1427118-TR35	CUSHION, BACKREST LAGUNA 372X550, PLUSH BLACK		1
9	SP1427119-TR35	BACKREST CUSHION 402X550, LAGUNA, PLUSH BLACK		1
10	SP1427120-TR35	BACKREST CUSHION 452X550, LAGUNA, PLUSH BLACK		1
11	SP1427121-TR35	BACKREST CUSHION 492X550, LAGUNA, PLUSH BLACK		1
12	SP1574755	LOCKING PIN KIT		1
13	SP1518478	Handwheel M10, pair		1
14	1497411	HANDWHEEL M12 LONG NECK/HEADREST		1
15	1518649	FITTING KIT, LAGUNA2		1
16	SP1579941	Screw kit, backrest stay		1

Backrest Laguna, tension adj. (30° tilt only)



BW + ext.	Laguna			Lateral		Mistral 2	
	TR26	TR35	TR36	TR26	TR35	TR26	TR35
390	9	13	17	21	25	29	33
390 +50	10	14	18	22	26	30	34
440	10	14	18	22	26	30	34
440 +50	11	15	19	23	27	31	35
490	11	15	19	23	27	31	35
490 +50	12	16	20	24	28	32	36
540						32	36

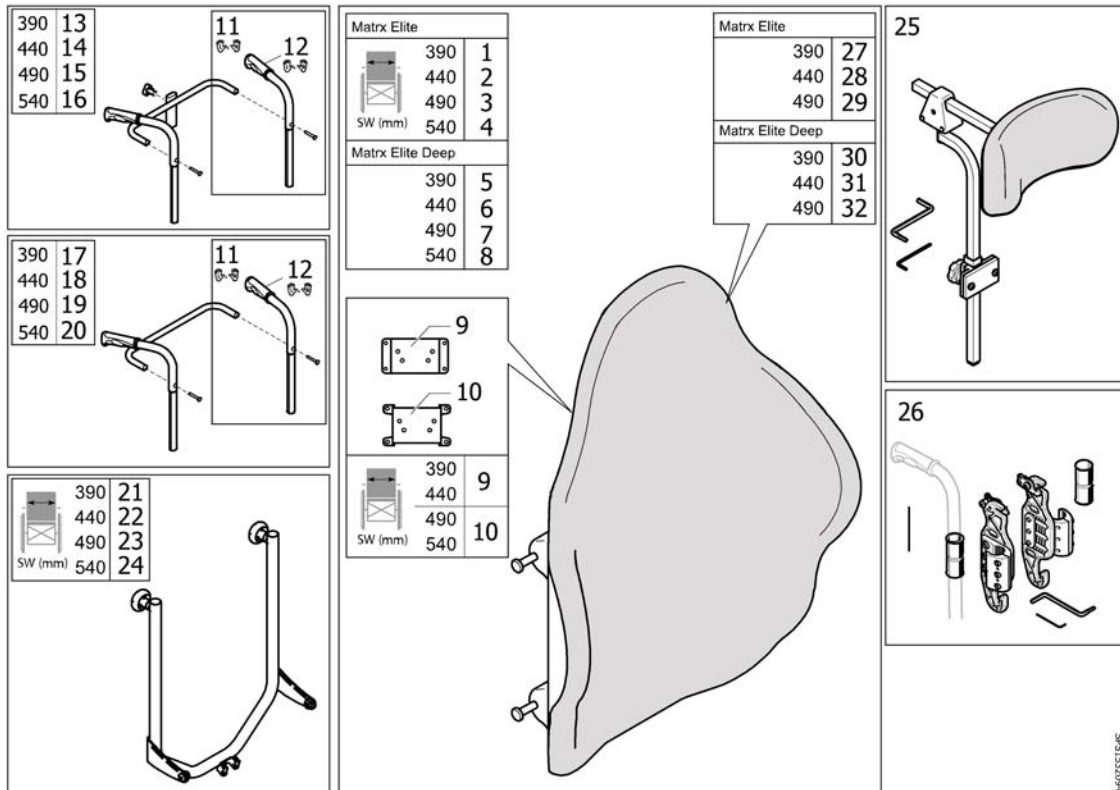
SP1571982

Pos.	Part number	Description	Valid from → until	Qty
1	SP1571982	BACKREST 390 ADJ, LAGUNA, CPL.		1
2	SP1571983	BACKREST 440 ADJ, LAGUNA, CPL.		1
3	SP1571984	BACKREST 490 ADJ, LAGUNA, CPL.		1
4	SP1572582	BACKREST 540 ADJ, LAGUNA, CPL.		1
5	SP1574068	BACKREST BODY 390-440, TENSION ADJ.		1
6	SP1574069	BACKREST BODY 490-540, TENSION ADJ.		1
7	SP1518478	Handwheel M10, pair		1
8	SP1574755	LOCKING PIN KIT		1
9	SP1427118-TR26	CUSHION, BACKREST LAGUNA 372X550, DARTEX BLACK		1
10	SP1427119-TR26	BACKREST CUSHION 402X550, LAGUNA, DARTEX BLACK		1
11	SP1427120-TR26	BACKREST CUSHION 452X550, LAGUNA, DARTEX BLACK		1
12	SP1427121-TR26	BACKREST CUSHION 492X550, LAGUNA, DARTEX BLACK		1
13	SP1427118-TR35	CUSHION, BACKREST LAGUNA 372X550, PLUSH BLACK		1
14	SP1427119-TR35	BACKREST CUSHION 402X550, LAGUNA, PLUSH BLACK		1
15	SP1427120-TR35	BACKREST CUSHION 452X550, LAGUNA, PLUSH BLACK		1
16	SP1427121-TR35	BACKREST CUSHION 492X550, LAGUNA, PLUSH BLACK		1
17	SP1427118-TR36	CUSHION, BACKREST LAGUNA 372X550, SPACER BLACK		1
18	SP1427119-TR36	BACKREST CUSHION 402X550, LAGUNA, SPACER BLACK		1
19	SP1427120-TR36	BACKREST CUSHION 452X550, LAGUNA, SPACER BLACK		1
20	SP1427121-TR36	BACKREST CUSHION 492X550, LAGUNA, SPACER BLACK		1
21	SP1574717	COVER LATERAL 425X540, DARTEX BLACK		1
22	SP1543667	COVER LATERAL 475X540, DARTEX BLACK		1
23	SP1543669	COVER LATERAL 525X540, DARTEX BLACK		1
24	SP1543671	COVER LATERAL 575X540, DARTEX BLACK		1
25	SP1574718	COVER LATERAL 425X540, PLUSH BLACK		1
26	SP1543668	COVER LATERAL 475X540, PLUSH BLACK		1
27	SP1543670	COVER LATERAL 525X540, PLUSH BLACK		1
28	SP1543672	COVER LATERAL 575X540, PLUSH BLACK		1
29	SP1431668-TR26	CUSHION, BACKREST MISTRAL2 355X510, DARTEX BLACK		1
30	SP1424651-TR26	CUSHION, BACKREST MISTRAL2 405X510, DARTEX BLACK		1
31	SP1424652-TR26	CUSHION, BACKREST MISTRAL2 455X510, DARTEX BLACK		1

Backrest Laguna, tension adj. (30° tilt only)

Pos.	Part number	Description	Valid from → until	Qty
32	SP1424653-TR26	CUSHION, BACKREST MISTRAL2 505X510, DARTEX BLACK		1
33	SP1431668-TR35	CUSHION, BACKREST MISTRAL2 355X510, PLUSH BLACK		1
34	SP1424651-TR35	CUSHION, BACKREST MISTRAL2 405X510, PLUSH BLACK		1
35	SP1424652-TR35	CUSHION, BACKREST MISTRAL2 455X510, PLUSH BLACK		1
36	SP1424653-TR35	CUSHION, BACKREST MISTRAL2 505X510, PLUSH BLACK		1

Backrest Matrix, straight



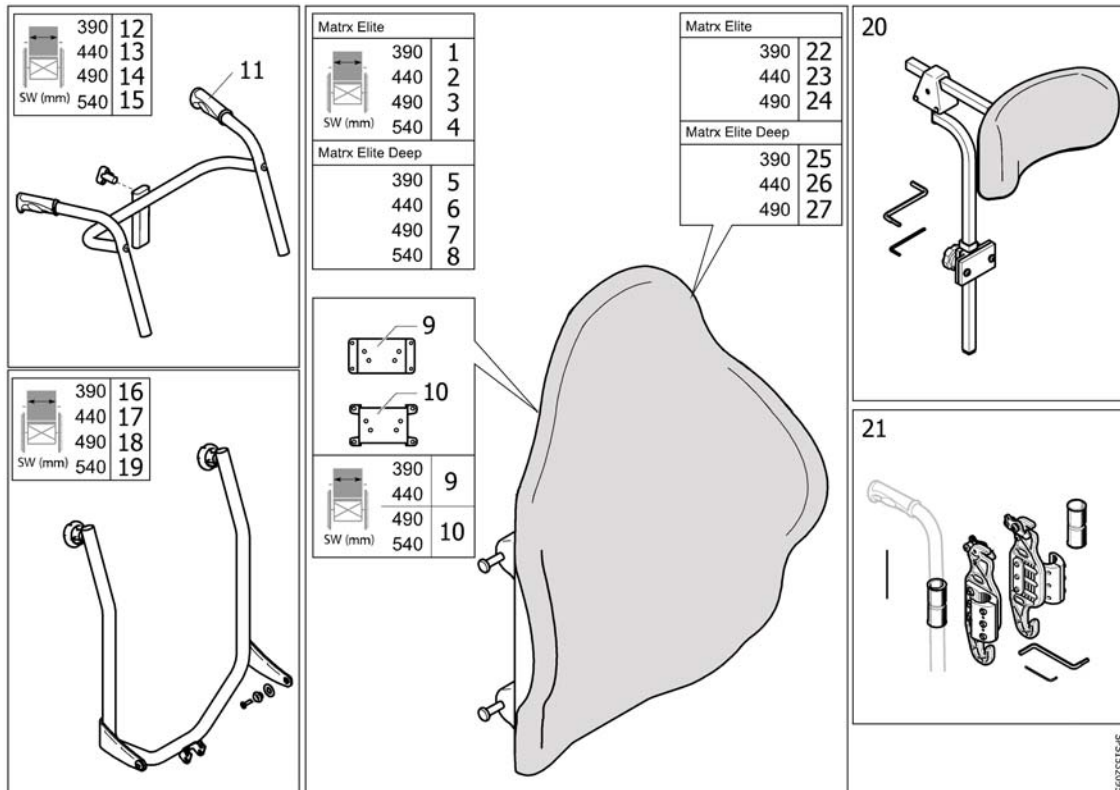
1400215265

Pos.	Part number	Description	Valid from → until	Qty
1	1532094	Backrest 380x505, Matrix Elite		1
2	1517755	Backrest 430x505, Matrix Elite		1
3	1517757	Backrest 480x505, Matrix Elite		1
4	1532097	Backrest 505x505, Matrix Elite		1
5	1543511	Backrest 380x505, Matrix Elite Deep		1
6	1543519	Backrest 430x505, Matrix Elite Deep		1
7	1543987	Backrest 480x505, Matrix Elite Deep		1
8	1543991	Backrest 505x505, Matrix Elite Deep		1
9	1544188	Elite Headrest Mounting Hardware - Medium		1
10	1544187	Elite Headrest Mounting Hardware - Large		1
11	SP1572734	PUSH HANDLE CPL., PAIR		1
12	SP1537634	HANDLE 22MM, PAIR		1
13	SP1572531	PUSH HANDLES 390, FIXED CPL. (FOR NECK- AND HEADREST)		1
14	SP1572574	PUSH HANDLES 440, FIXED CPL. (FOR NECK- AND HEADREST)		1
15	SP1572575	PUSH HANDLES 490, FIXED CPL. (FOR NECK- AND HEADREST)		1
16	SP1572576	PUSH HANDLES 540, FIXED CPL. (FOR NECK- AND HEADREST)		1
17	SP1571966	PUSH HANDLES 390, FIXED CPL.		1
18	SP1571967	PUSH HANDLES 440, FIXED CPL.		1
19	SP1571968	PUSH HANDLES 490, FIXED CPL.		1
20	SP1572787	PUSH HANDLES 540, FIXED CPL.		1
21	SP1572462	BACKREST BOW 390		1
22	SP1572463	BACKREST BOW 440		1
23	SP1572530	BACKREST BOW 490		1
24	SP1572847	BACKREST BOW 540		1
25	1545274	Matrix 25.5cm Soft Pad Headrest Kit		1
26	SP1545275	Mounting hardware, Matrix		1
27	SP1545136	Cover 380x505, Elite		1
28	SP1545147	Cover 430x505, Elite		1
29	SP1545159	Cover 480x505, Elite		1
30	SP1544069	Cover 380x505, Elite Deep		1
31	SP1544077	Cover 430x505, Elite Deep		1

Backrest Matrix, straight

Pos.	Part number	Description	Valid from → until	Qty
32	SP1544085	Cover 480x505, Elite Deep		1

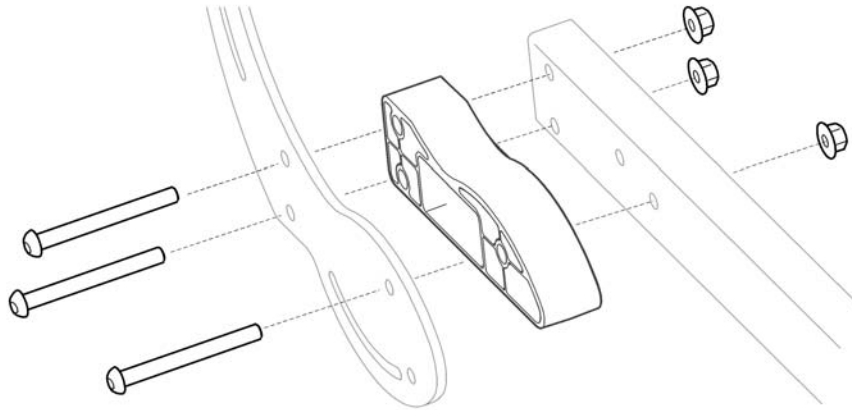
Backrest Matrix, bended



Pos.	Part number	Description	Valid from → until	Qty
1	1532094	Backrest 380x505, Matrix Elite		1
2	1517755	Backrest 430x505, Matrix Elite		1
3	1517757	Backrest 480x505, Matrix Elite		1
4	1532097	Backrest 505x505, Matrix Elite		1
5	1543511	Backrest 380x505, Matrix Elite Deep		1
6	1543519	Backrest 430x505, Matrix Elite Deep		1
7	1543987	Backrest 480x505, Matrix Elite Deep		1
8	1543991	Backrest 505x505, Matrix Elite Deep		1
9	1544188	Elite Headrest Mounting Hardware - Medium		1
10	1544187	Elite Headrest Mounting Hardware - Large		1
11	SP1537634	HANDLE 22MM, PAIR		1
12	1580570	Push handles, bent, neck-&headrest, size 390, cpl.		1
13	1580571	Push handles, bent, neck-& headrest, size 440, cpl.		1
14	1580572	Push handles, bent, neck-& headrest, size 490, cpl.		1
15	1580573	Push handles, bent, neck-& headrest, size 540, cpl.		1
16	SP1572946	BACKREST BOW 390, BENDED		1
17	SP1572947	BACKREST BOW 440, BENDED		1
18	SP1572953	BACKREST BOW 490, BENDED		1
19	SP1574547	BACKREST BOW 540, BENDED		1
20	1545274	Matrix 25.5cm Soft Pad Headrest Kit		1
21	SP1545275	Mounting hardware, Matrix		1
22	SP1545136	Cover 380x505, Elite		1
23	SP1545147	Cover 430x505, Elite		1
24	SP1545159	Cover 480x505, Elite		1
25	SP1544069	Cover 380x505, Elite Deep		1
26	SP1544077	Cover 430x505, Elite Deep		1
27	SP1544085	Cover 480x505, Elite Deep		1

Backrest width extension

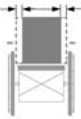
1

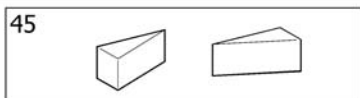


6001215401

Pos.	Part number	Description	Valid from → until	Qty
1	SP1571009	Kit, 50mm backrest width extensions, pair		1

Cushions, Flex3 backrest

 BW + ext.	Mistral 2		Laguna			Passad 2			Shoulder high	Multi Functional	Lateral	
	TR26	TR35	TR26	TR35	TR36	TR26	TR35	TR36	TR26		TR26	TR35
390	1	2	9	10	11	21	22	23	33	36	39	40
390 +50	3	4	12	13	14	24	25	26	33	36	39	40
390 +100	5	6	15	16	17	24	25	26	33	36	39	40
440	3	4	12	13	14	24	25	26	33	37	41	42
440 +50	5	6	15	16	17	27	28	29	34	37	41	42
440 +100	7	8	18	19	20	27	28	29	34	37	41	42
490	5	6	15	16	17	27	28	29	34	38	43	44
490 +50	7	8	18	19	20	30	31	32	35	38	43	44
490 +100	-	-	-	-	-	-	-	-	-	38	43	44



	Färg	Colour	Farbe	Couleur
TR26	dartex svart	dartex black	dartex schwarz	dartex noir
TR35	plysch svart	plysch black	plüsch schwarz	velours noir
TR36	spacer svart	spacer black	spacer schwarz	spacer noir

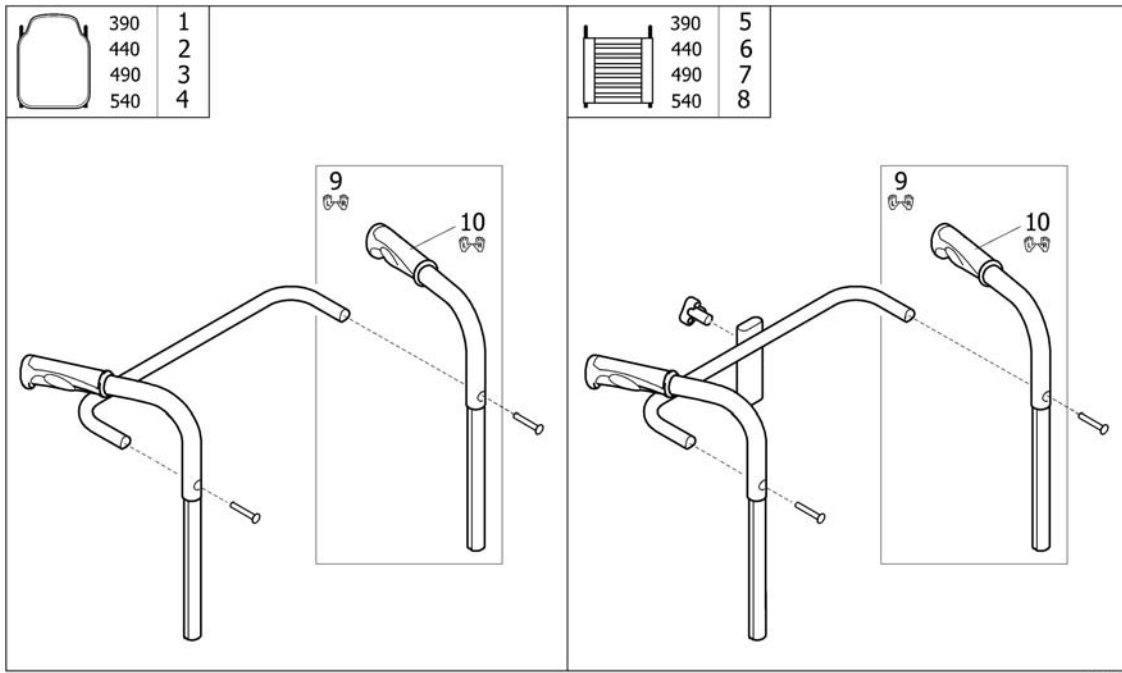
SP156169

Pos.	Part number	Description	Valid from → until	Qty
1	SP1431668-TR26	CUSHION, BACKREST MISTRAL2 355X510, DARTEX BLACK		1
2	SP1431668-TR35	CUSHION, BACKREST MISTRAL2 355X510, PLUSH BLACK		1
3	SP1424651-TR26	CUSHION, BACKREST MISTRAL2 405X510, DARTEX BLACK		1
4	SP1424651-TR35	CUSHION, BACKREST MISTRAL2 405X510, PLUSH BLACK		1
5	SP1424652-TR26	CUSHION, BACKREST MISTRAL2 455X510, DARTEX BLACK		1
6	SP1424652-TR35	CUSHION, BACKREST MISTRAL2 455X510, PLUSH BLACK		1
7	SP1424653-TR26	CUSHION, BACKREST MISTRAL2 505X510, DARTEX BLACK		1
8	SP1424653-TR35	CUSHION, BACKREST MISTRAL2 505X510, PLUSH BLACK		1
9	SP1427118-TR26	CUSHION, BACKREST LAGUNA 372X550, DARTEX BLACK		1
10	SP1427118-TR35	CUSHION, BACKREST LAGUNA 372X550, PLUSH BLACK		1
11	SP1427118-TR36	CUSHION, BACKREST LAGUNA 372X550, SPACER BLACK		1
12	SP1427119-TR26	BACKREST CUSHION 402X550, LAGUNA, DARTEX BLACK		1
13	SP1427119-TR35	BACKREST CUSHION 402X550, LAGUNA, PLUSH BLACK		1
14	SP1427119-TR36	BACKREST CUSHION 402X550, LAGUNA, SPACER BLACK		1
15	SP1427120-TR26	BACKREST CUSHION 452X550, LAGUNA, DARTEX BLACK		1
16	SP1427120-TR35	BACKREST CUSHION 452X550, LAGUNA, PLUSH BLACK		1
17	SP1427120-TR36	BACKREST CUSHION 452X550, LAGUNA, SPACER BLACK		1
18	SP1427121-TR26	BACKREST CUSHION 492X550, LAGUNA, DARTEX BLACK		1
19	SP1427121-TR35	BACKREST CUSHION 492X550, LAGUNA, PLUSH BLACK		1
20	SP1427121-TR36	BACKREST CUSHION 492X550, LAGUNA, SPACER BLACK		1
21	SP1429271-TR26	BACKREST CUSHION 440X550, PASSAD2, DARTEX BLACK		1
22	SP1429271-TR35	BACKREST CUSHION 440X550, PASSAD2, PLUSH BLACK		1
23	SP1429271-TR36	BACKREST CUSHION 440X550, PASSAD2, SPACER BLACK		1
24	SP1424647-TR26	BACKREST CUSHION 470X550, PASSAD2, DARTEX BLACK		1
25	SP1424647-TR35	BACKREST CUSHION 470X550, PASSAD2, PLUSH BLACK		1
26	SP1424647-TR36	BACKREST CUSHION 470X550, PASSAD2, SPACER BLACK		1
27	SP1424649-TR26	BACKREST CUSHION 520X550, PASSAD2, DARTEX BLACK		1
28	SP1424649-TR35	BACKREST CUSHION 520X550, PASSAD2, PLUSH BLACK		1
29	SP1424649-TR36	BACKREST CUSHION 520X550, PASSAD2, SPACER BLACK		1
30	SP1429278-TR26	BACKREST CUSHION 580X550, PASSAD2, DARTEX BLACK		1
31	SP1429278-TR35	BACKREST CUSHION 580X550, PASSAD2, PLUSH BLACK		1

Cushions, Flex3 backrest



Pos.	Part number	Description	Valid from → until	Qty
32	SP1429278-TR36	BACKREST CUSHION 580X550, PASSAD2, SPACER BLACK		1
33	SP1444275-TR26	BACKREST CUSHION 440X650, SHOULDER HIGH, DARTEX BLACK		1
34	SP1444277-TR26	BACKREST CUSHION 520X650, SHOULDER HIGH, DARTEX BLACK		1
35	SP1444278-TR26	BACKREST CUSHION 580X650, SHOULDER HIGH, DARTEX BLACK		1
36	1435592	BACKREST CUSHION 370X540, VICAIR MF, DARTEX GREY		1
37	1445741	BACKREST CUSHION 400X540, VICAIR MF, DARTEX GREY		1
38	1445742	BACKREST CUSHION 450X540, VICAIR MF, DARTEX GREY		1
39	SP1543667	COVER LATERAL 475X540, DARTEX BLACK		1
40	SP1543668	COVER LATERAL 475X540, PLUSH BLACK		1
41	SP1543669	COVER LATERAL 525X540, DARTEX BLACK		1
42	SP1543670	COVER LATERAL 525X540, PLUSH BLACK		1
43	SP1543671	COVER LATERAL 575X540, DARTEX BLACK		1
44	SP1543672	COVER LATERAL 575X540, PLUSH BLACK		1
45	SP1513037	WEDGES, PAIR		1

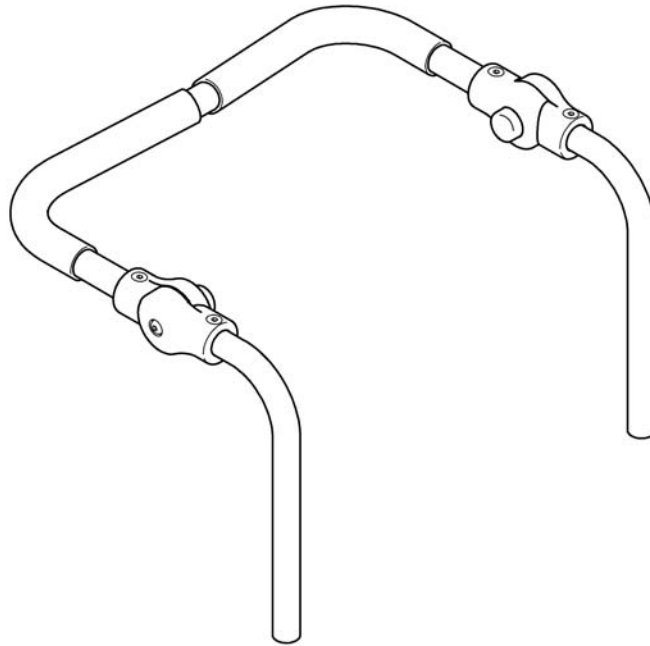
Push handles



SP1572787

Pos.	Part number	Description	Valid from → until	Qty
1	SP1571966	PUSH HANDLES 390, FIXED CPL.		1
2	SP1571967	PUSH HANDLES 440, FIXED CPL.		1
3	SP1571968	PUSH HANDLES 490, FIXED CPL.		1
4	SP1572787	PUSH HANDLES 540, FIXED CPL.		1
5	SP1572531	PUSH HANDLES 390, FIXED CPL. (FOR NECK- AND HEADREST)		1
6	SP1572574	PUSH HANDLES 440, FIXED CPL. (FOR NECK- AND HEADREST)		1
7	SP1572575	PUSH HANDLES 490, FIXED CPL. (FOR NECK- AND HEADREST)		1
8	SP1572576	PUSH HANDLES 540, FIXED CPL. (FOR NECK- AND HEADREST)		1
9	SP1572734	PUSH HANDLE CPL., PAIR		1
10	SP1537634	HANDLE 22MM, PAIR		1

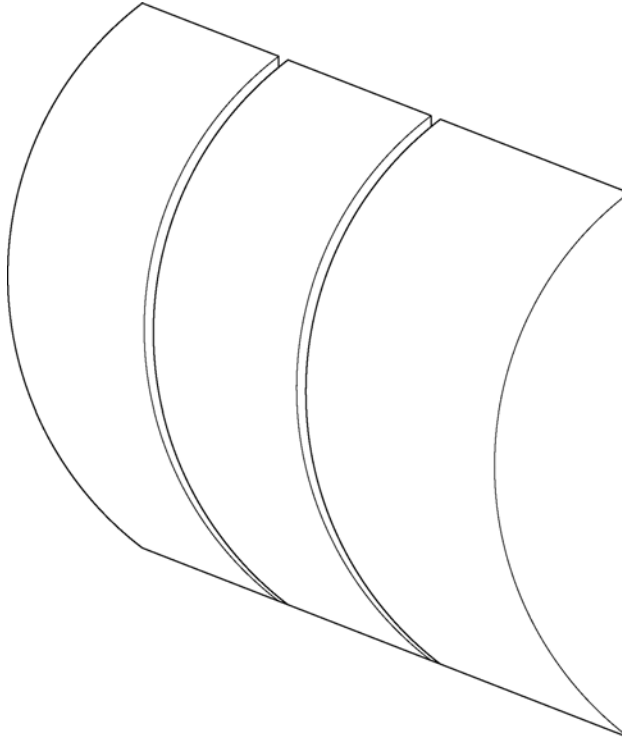
		
SW (mm)	mm	
390	362	1
440	412	2
490	463	3



SP1563967

Pos.	Part number	Description	Valid from → until	Qty
1	SP1563967	PUSHBAR ADJ. 390		1
2	SP1564551	PUSHBAR ADJ. 440		1
3	SP1564552	PUSHBAR ADJ. 490		1

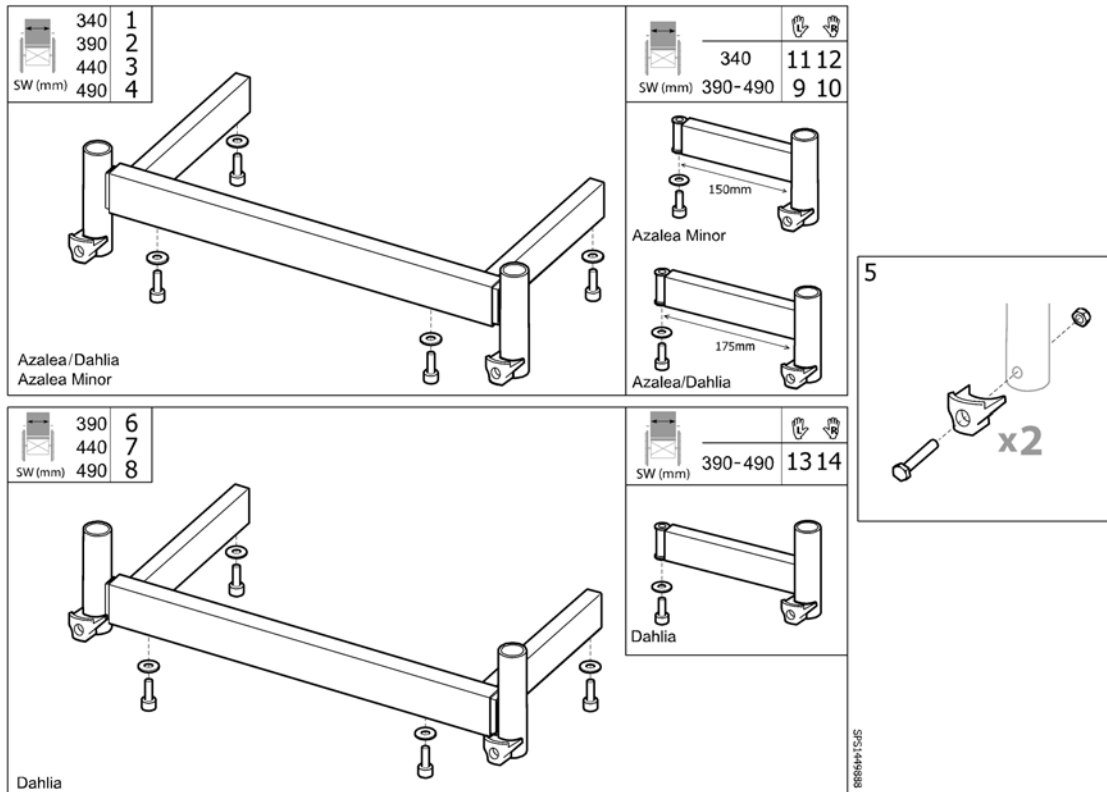
Curvature cushion



SPS5295081

Pos.	Part number	Description	Valid from → until	Qty
1	5252527	CURVATURE CUSHION F BACK		1

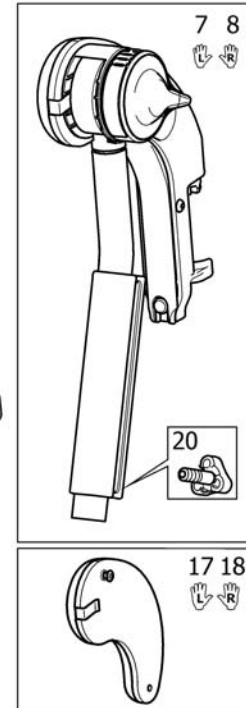
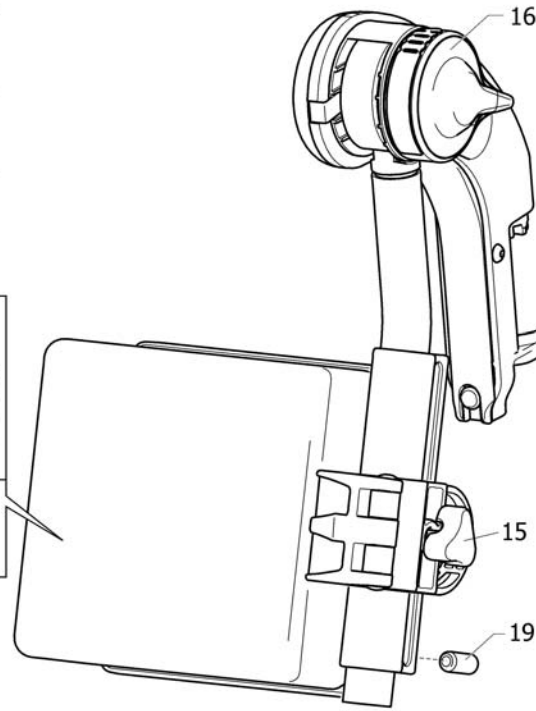
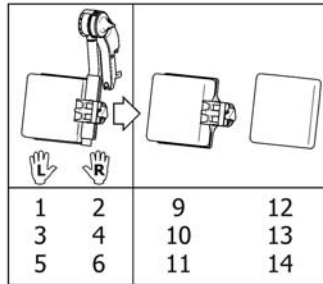
Legrest attachment



Pos.	Part number	Description	Valid from → until	Qty
1	1508926-0509	Hanger attachment 340 adj, cpl.		1
2	1449888-0509	Hanger attachment 390 adj, cpl.		1
3	1449889-0509	Hanger attachment 440 adj, cpl.		1
4	1449890-0509	Hanger attachment 490 adj, cpl.		1
5	1508091	KIT, LEGREST ATTACHM. BLOCK PAIR		1
6	SP1574112	Hanger attachment 390 adj, high, cpl.		1
7	SP1574113	Hanger attachment 440 adj, high, cpl.		1
8	SP1574114	Hanger attachment 490 adj, high, cpl.		1
9	SP1579059	Legrest support, LH, cpl.		1
10	SP1579440	Legrest support, RH, cpl.		1
11	SP1513015	Legrest support, LH, Azalea Minor, cpl.		1
12	SP1513016	Legrest support, RH, Azalea Minor, cpl.		1
13	SP1574125	Legrest support, high, LH, cpl.		1
14	SP1574124	Legrest support, high, RH, cpl.		1

Legrest AA, ALU2008

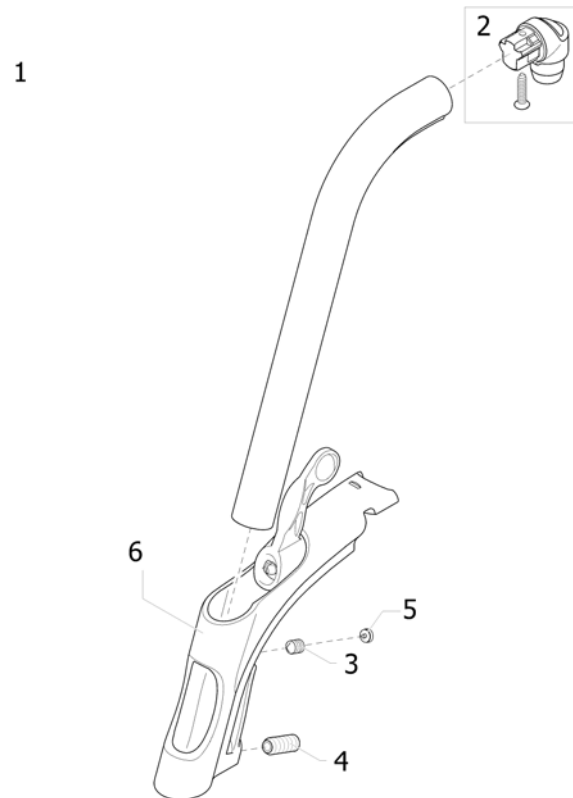
	SW(mm)	L	R
Azalea, Clematis, Dahlia	340-390	1	2
	440	3	4
	490	5	6
Bellis, Bellis 150	390-430 (S)	3	4
	440-480 (M)	5	6
	490-530 (L)	5	6



SP5131007

Pos.	Part number	Description	Valid from → until	Qty
1	1524984	HANGER (+ CALFPAD 12), LE, AA ALU2008 LEGREST		1
2	1524985	HANGER (+ CALFPAD 12), RI, AA ALU2008 LEGREST		1
3	1524986	HANGER (+ CALFPAD 15), LE, AA ALU2008 LEGREST		1
4	1524987	HANGER (+ CALFPAD 15), RI, AA ALU2008 LEGREST		1
5	1524988	HANGER (+ CALFPAD 18), LE, AA ALU2008 LEGREST		1
6	1524989	HANGER (+ CALFPAD 18), RI, AA ALU2008 LEGREST		1
7	1513007	HANGER ALU2008, AA, LEFT, CPL		1
8	1513006	HANGER ALU2008, AA, RIGHT, CPL		1
9	1516313	CALF PAD 12 (140x170x80), CPL.		1
10	1516314	CALF PAD 15 (165x170x80), CPL		1
11	1516315	CALF PAD 18 (190x170x80), CPL		1
12	1445763	PAD, CALFSUPPORT 12 CPL, DARTEX BLACK		1
13	1445764	PAD, CALFSUPPORT 15 CPL, DARTEX BLACK		1
14	1445765	PAD, CALFSUPPORT 18 CPL, DARTEX BLACK		1
15	1429215	Handwheel M8		1
16	1508943	Cap, Alu2008 Legrest		1
17	1513671	KNEEPAD (INCL SCREW), LE, AA LEGREST ALU2008	2008-10-01 →	1
18	1513716	KNEEPAD (INCL SCREW), RI, AA LEGREST ALU2008	2008-10-01 →	1
19	1424571	Springscrew		1
20	1429326	Handwheel M10, Spring		1

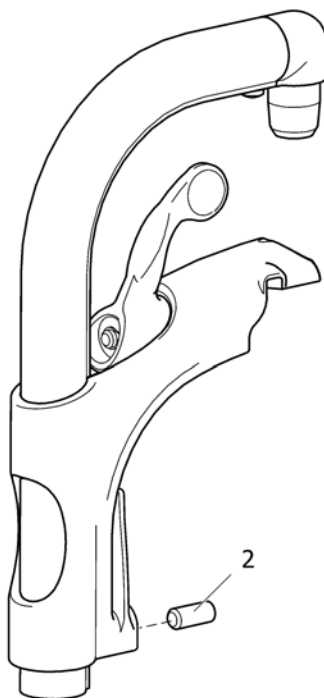
Legrest 80° Alu2003, Fixed



Pos.	Part number	Description	Valid from → until	Qty
1	1493055-0509	Hanger Alu2003,Fixed 80 Deg,Cpl		1
2	1430426	Attachment Tap, Hanger		1
3	1424572	Stop Screw S6Ss M10x12 Din 914 Din 914/Iso 4027		1
4	1424571	Springscrew		1
5	1435741	Plug Ikpt 8-5,5 S		1
6	1434362	Locking House Cpl, Hanger 80 Deg		1

Legrest 90° Alu2003, Fixed

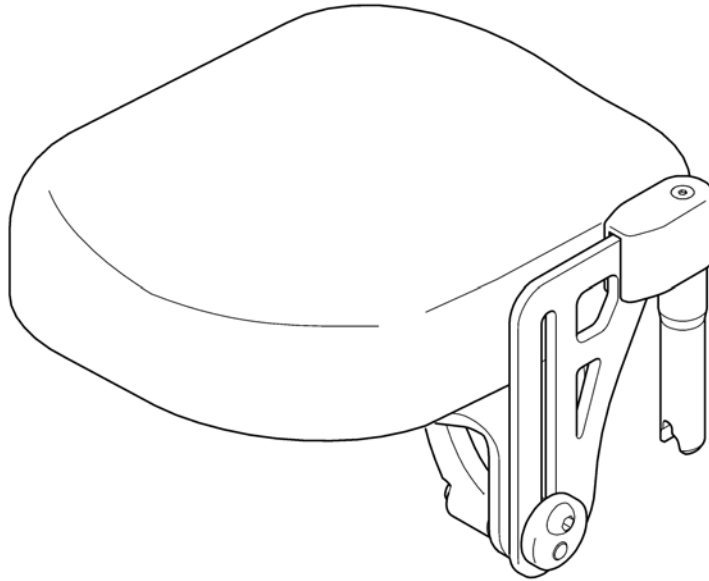
1



SPS1403056

Pos.	Part number	Description	Valid from → until	Qty
1	1493056-0509	HANGER FIXED 90		1
2	1424571	Springscrew		1

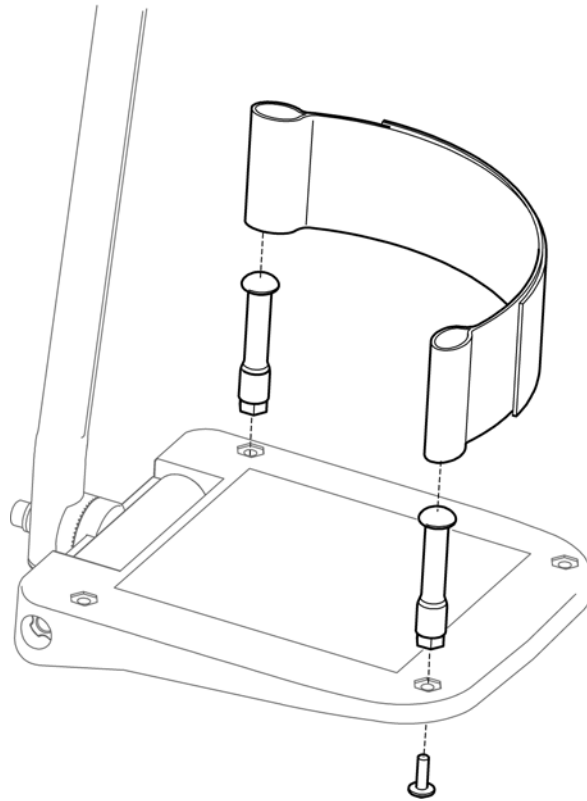
1 2
👤 👤



062011526

Pos.	Part number	Description	Valid from → until	Qty
1	1442991	Legrest, Amputee, Lh		1
2	1442990	Legrest, Amputee, Rh		1

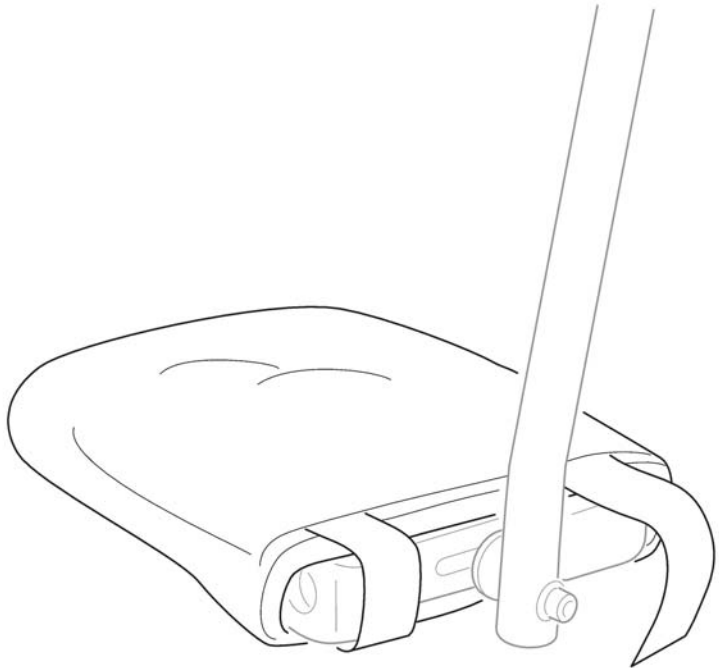
Heel strap



SPS5106433

Pos.	Part number	Description	Valid from → until	Qty
	5321579	Heel Loop, Pair		1

1

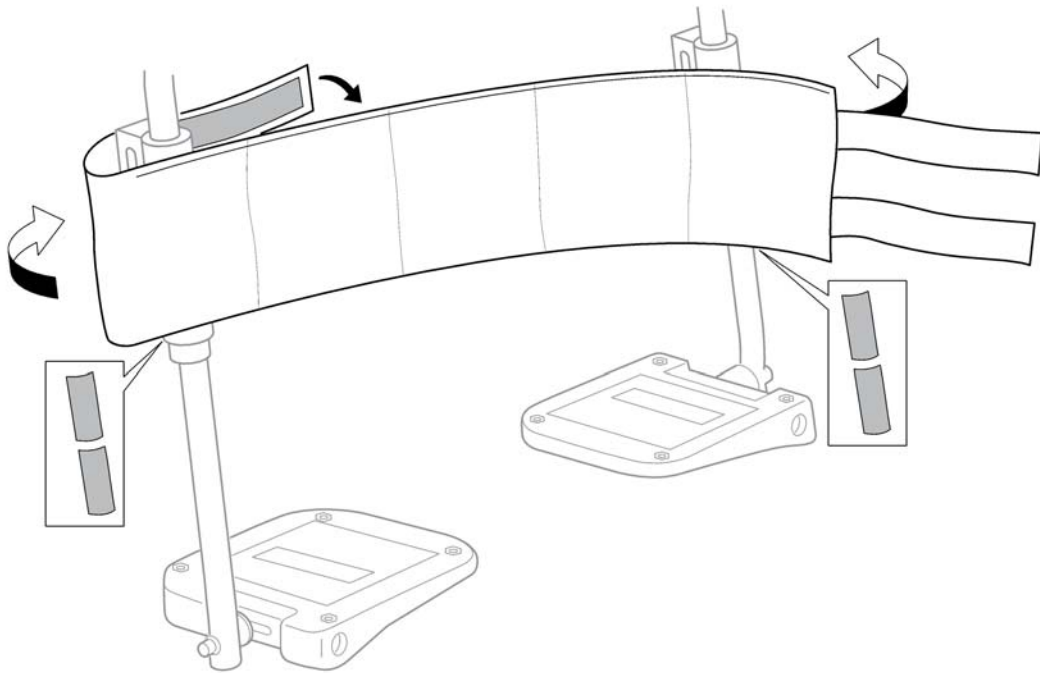


SP1563946

Pos.	Part number	Description	Valid from → until	Qty
1	SP1563946	COVER, FOOTPLATE		1

Calf strap, padded

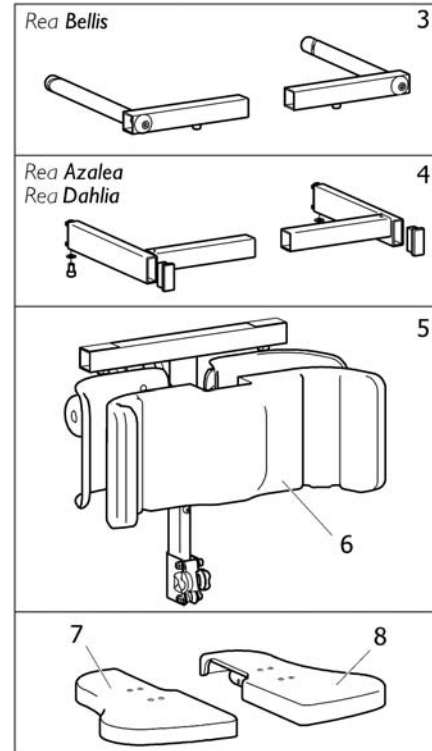
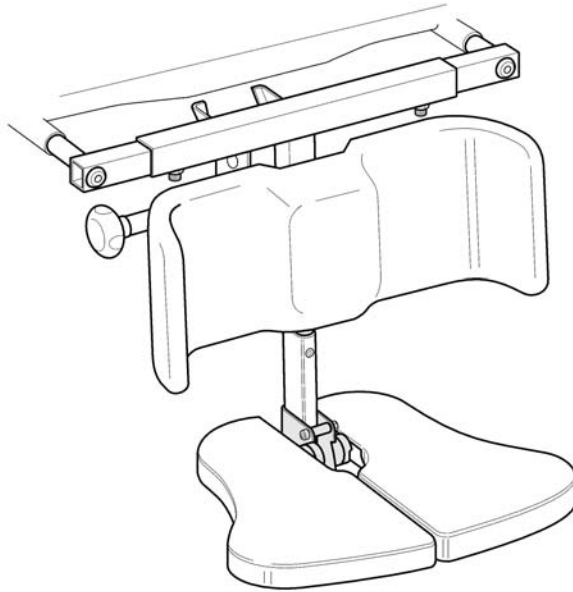
1



SPS1563951

Pos.	Part number	Description	Valid from → until	Qty
1	SP1563951	Calf strap, padded		1

Rea Bellis	1
Rea Azalea Rea Dahlia	2



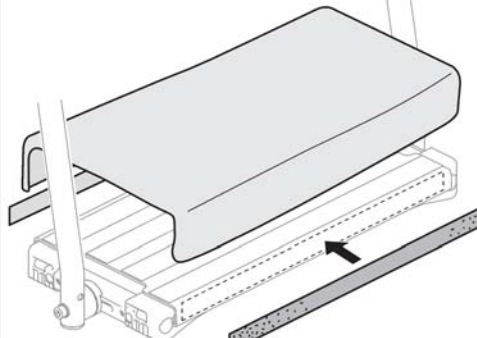
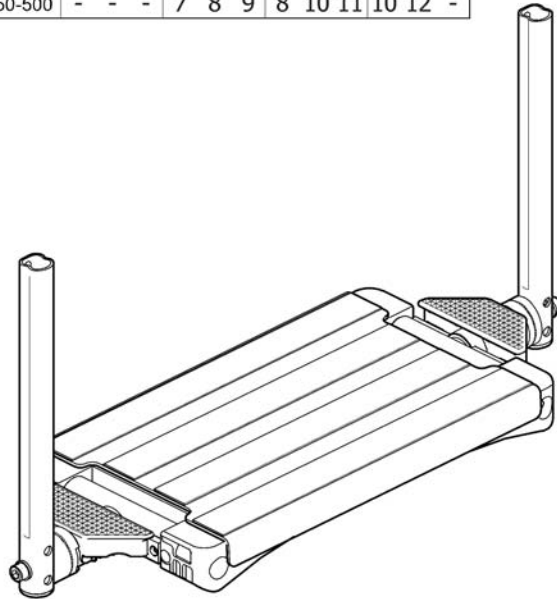
SP51494821

Pos.	Part number	Description	Valid from → until	Qty
1	1424640	CENTRAL LEGREST CPL.		1
2	1484821	CENTER LEGREST CPL. (AZALEA)		1
3	1493102	ATTACHMENT CPL., CENTRAL LEGREST		1
4	1493118	ATTACHMENT CPL., CENTRAL LEGREST, AZALEA		1
5	1493101	POLE CPL, CENTRAL LEGREST		1
6	1424545	CALFPAD CUSION, CENTER LEGREST		1
7	1484006	FOOTPLATE CPL, RIGHT, CENTER FOOTREST		1
8	1484007	FOOTPLATE CPL, LEFT, CENTER FOOTREST		1

Footrest one piece

SH (mm)	SW (mm)											
	340			390			440			490		
400-450	1	1	2	1	2	3	2	4	5	4	6	-
450-500	-	-	-	7	8	9	8	10	11	10	12	-

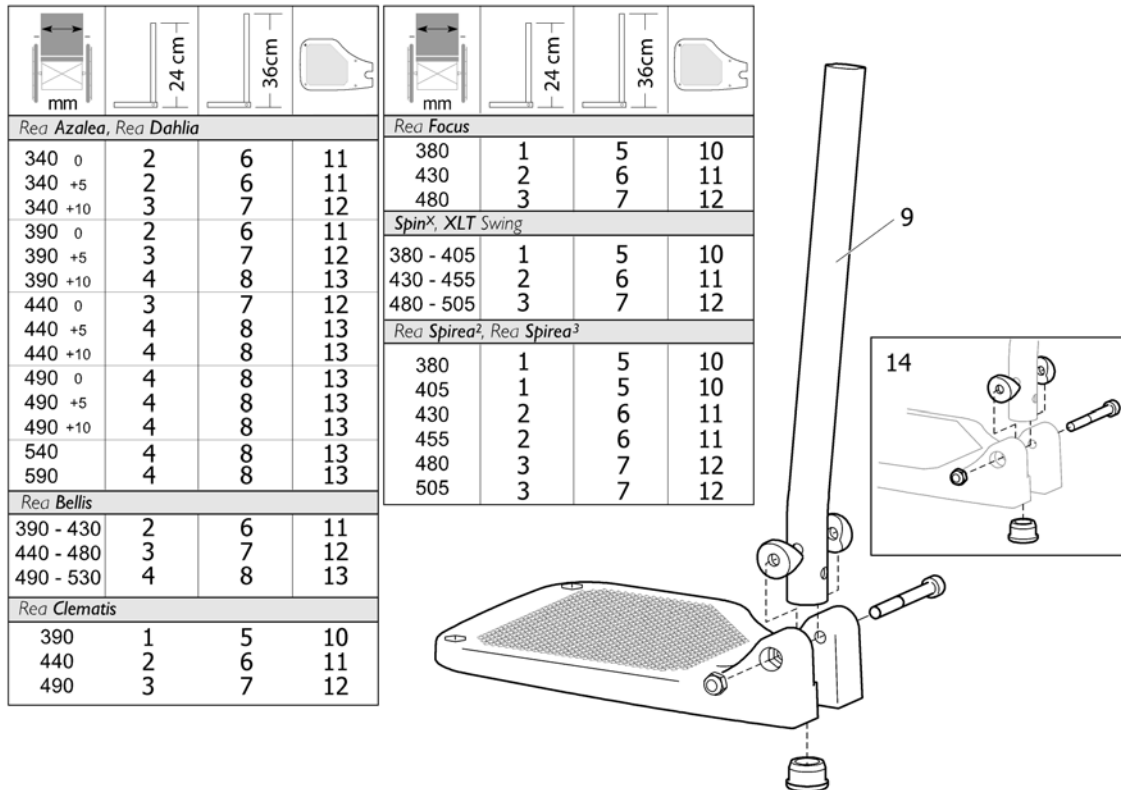
SW (mm)	390			440			490		
	0	+50	+100	0	+50	+100	0	+50	+100
	13	14	15	14	15	15	15	15	-

SP51493268

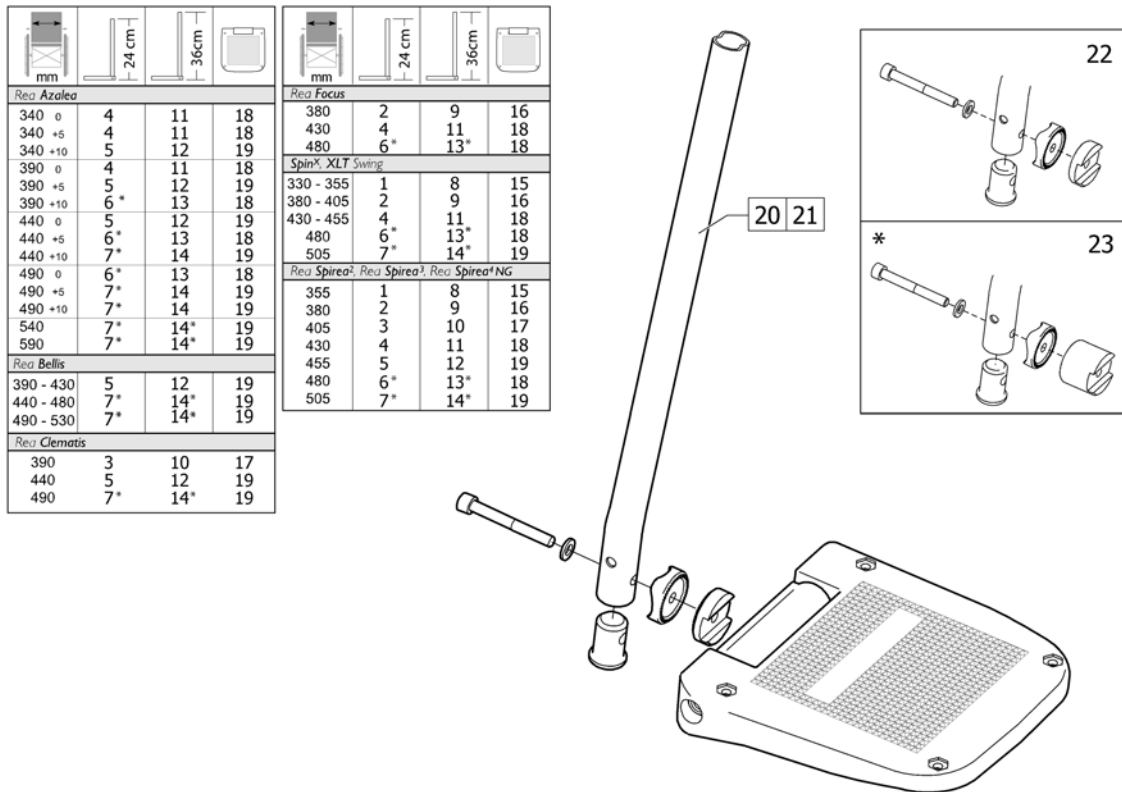
Pos.	Part number	Description	Valid from → until	Qty
1	1493268	FOOTREST ONE PIECE 272, ANGLE ADJ., SHORT		1
2	1493270	FOOTREST ONE PIECE 322, ANGLE ADJ., SHORT		1
3	1495821	FOOTREST ONE PIECE 347, ANGLE ADJ., SHORT		1
4	1495822	FOOTREST ONE PIECE 372, ANGLE ADJ., SHORT		1
5	1495823	FOOTREST ONE PIECE 397, ANGLE ADJ., SHORT		1
6	1495824	FOOTREST ONE PIECE 422, ANGLE ADJ., SHORT		1
7	1493358	FOOTREST ONE PIECE 272, ANGLE ADJ., LONG		1
8	1493377	FOOTREST ONE PIECE 322, ANGLE ADJ., LONG		1
9	1495825	FOOTREST ONE PIECE 347, ANGLE ADJ., LONG		1
10	1495826	FOOTREST ONE PIECE 372, ANGLE ADJ., LONG		1
11	1495827	FOOTREST ONE PIECE 397, ANGLE ADJ., LONG		1
12	1495828	FOOTREST ONE PIECE 422, ANGLE ADJ., LONG		1
13	SP1563959	COVER, ONE PIECE FOOTPLATE 390		1
14	SP1563962	COVER, ONE PIECE FOOTPLATE 440		1
15	SP1563963	COVER, ONE PIECE FOOTPLATE 490		1

Footrest, fixed, Alu2003



Pos.	Part number	Description	Valid from → until	Qty
1	1428357	FOOTREST 19, "ALU2003", FIXED, SHORT, LEFT		1
1	1428358	FOOTREST 19, "ALU2003", FIXED, SHORT, RIGHT		1
2	1428361	FOOTREST 21ALU2003, LOWER PART, FIXED, SHORT, LEFT		1
2	1428362	FOOTREST 21ALU2003, LOWER PART, FIXED, SHORT, RIGHT		1
3	1428365	FOOTREST 24ALU2003, LOWER PART, FIXED, SHORT, LEFT		1
3	1428366	FOOTREST 24ALU2003, LOWER PART, FIXED, SHORT, RIGHT		1
4	1435756	FOOTREST 27ALU2003, LOWER PART, FIXED, SHORT, LEFT		1
4	1435757	FOOTREST 27ALU2003, LOWER PART, FIXED, SHORT, RIGHT		1
5	1428359	FOOTREST 19, "ALU2003", FIXED, LONG, LEFT		1
5	1428360	FOOTREST 19, "ALU2003", FIXED, LONG, RIGHT		1
6	1428363	FOOTREST 21ALU2003, LOWER PART, FIXED, LONG, LEFT		1
6	1428364	FOOTREST 21ALU2003, LOWER PART, FIXED, LONG, RIGHT		1
7	1428367	FOOTREST 24ALU2003, LOWER PART, FIXED, LONG, LEFT		1
7	1428368	FOOTREST 24ALU2003, LOWER PART, FIXED, LONG, RIGHT		1
8	1435659	FOOTREST 27ALU2003, LOWER PART, FIXED, LONG, LEFT		1
8	1435660	FOOTREST 27ALU2003, LOWER PART, FIXED, LONG, RIGHT		1
9	1434561-0010	Footrest Tube, Short		1
9	1434563-0010	Footrest Tube, Long		1
10	1428340	FOOTPLATE 19, LEFT		1
10	1428341	FOOTPLATE 19, RIGHT		1
11	1424574	FOOTPLATE 21, LEFT		1
11	1424575	FOOTPLATE 21, RIGHT		1
12	1428346	FOOTPLATE 24, LEFT		1
12	1428347	FOOTPLATE 24, RIGHT		1
13	1428374	FOOTPLATE 26, LEFT		1
13	1428375	FOOTPLATE 26, RIGHT		1
14	1430433	Screw Kit, Footrest Fixed		1

Footrest, AA, Alu2003



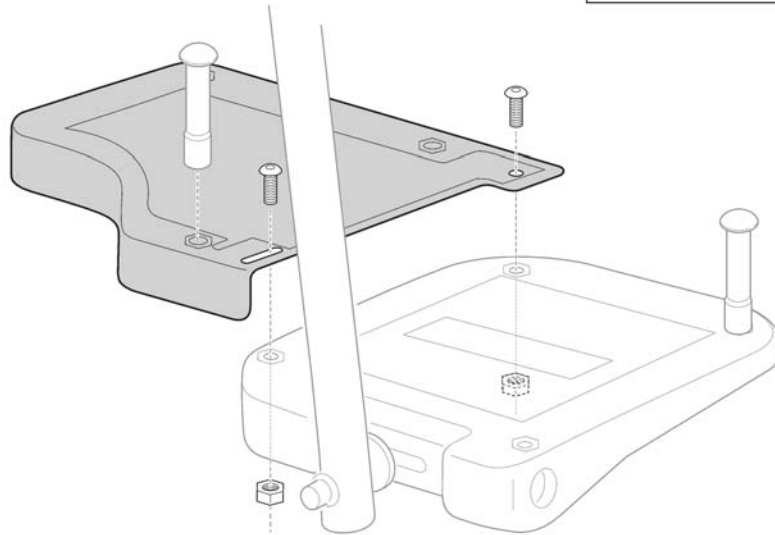
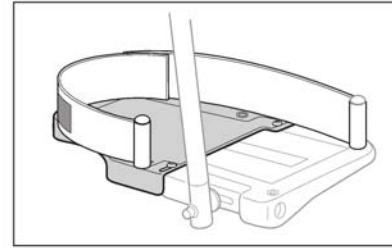
Pos.	Part number	Description	Valid from → until	Qty
1	1485430	Footrest 12 Short, Le, "Alu2003"		1
1	1485524	Footrest 12 Short, Ri, "Alu2003"		1
2	1429159	Footrest 14 aa, "Alu2003", Short, Left		1
2	1429160	Footrest 14 aa, "Alu2003", Short, Right		1
3	1429161	Footrest 16 aa, "Alu2003", Short, Left		1
3	1429162	Footrest 16 aa, "Alu2003", Short, Right		1
4	1429163	Footrest 17 aa, "Alu2003", Short, Left		1
4	1429164	Footrest 17 aa, "Alu2003", Short, Right		1
5	1429165	Footrest 18, "Alu2003", Lower Part, aa, Short, Left		1
5	1429166	Footrest 18, "Alu2003", Lower Part, aa, Short, Right		1
6	1429167	Footrest 19 aa, "Alu2003", Short, Left		1
6	1429168	Footrest 19 aa, "Alu2003", Short, Right		1
7	1429169	Footrest 20 Alu2003, Lower Part, aa, Short, Left		1
7	1429170	Footrest 20 Alu2003, Lower Part, aa, Short, Right		1
8	1485428	Footrest 12 Long, Le, "Alu2003"		1
8	1485429	Footrest 12 Long, Ri, "Alu2003"		1
9	1429171	Footrest 14 aa, "Alu2003", Long, Left		1
9	1429172	Footrest 14 aa, "Alu2003", Long, Right		1
10	1429173	Footrest 16 aa, "Alu2003", Long, Left		1
10	1429174	Footrest 16 aa, "Alu2003", Long, Right		1
11	1429175	Footrest 17 aa, "Alu2003", Long, Left		1
11	1429176	Footrest 17 aa, "Alu2003", Long, Right		1
12	1429177	Footrest 18, "Alu2003", Lower Part, aa, Long, Left		1
12	1429178	Footrest 18, "Alu2003", Lower Part, aa, Long, Ri		1
13	1429179	Footrest 19 aa, "Alu2003", Long, Left		1
13	1429180	Footrest 19 aa, "Alu2003", Long, Right		1
14	1429181	Footrest 20 Alu2003, Lower Part, aa, Long, Left		1
14	1429182	Footrest 20 Alu2003, Lower Part, aa, Long, Right		1
15	5106372	Footplate 12 aa, Cpl.		1
16	5106374	Footplate 14 aa, Cpl.		1
17	5106375	Footplate 16 aa, Cpl.		1

Footrest, AA, Alu2003

Pos.	Part number	Description	Valid from → until	Qty
18	5106594	Footplate 17 aa, Cpl.		1
19	5106376	Footplate 18 aa, Cpl.		1
20	1434561-0010	Footrest Tube, Short		1
21	1434563-0010	Footrest Tube, Long		1
22	1430839	Screw Kit, Footrest aa		1
23	1430840	Screw Kit, Footrest aa Ext		1

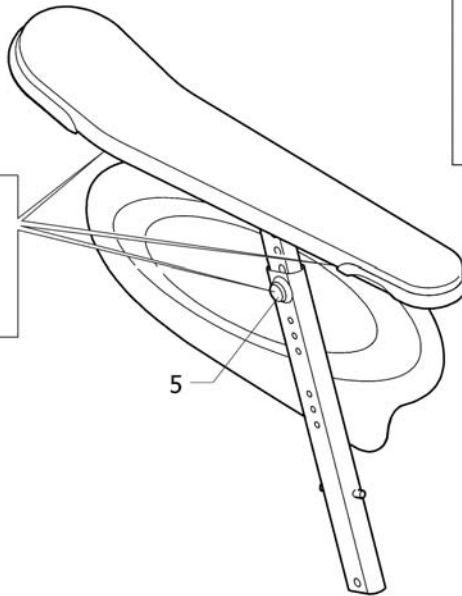
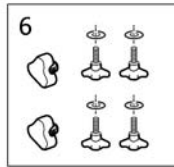
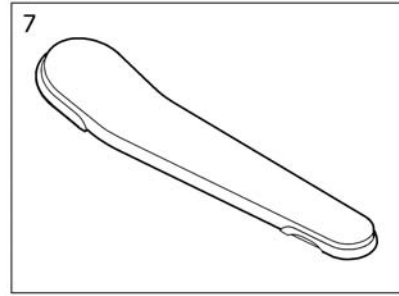
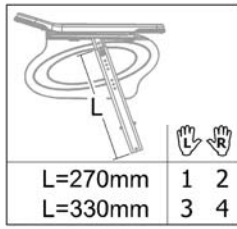
Extender, footplate

135mm	99-119mm	1
160mm	124-144mm	2



SP5255296

Pos.	Part number	Description	Valid from → until	Qty
1	SP5255297	Footplate extender w=135 pair		1
2	SP5255299	Footplate extender w=160 pair		1

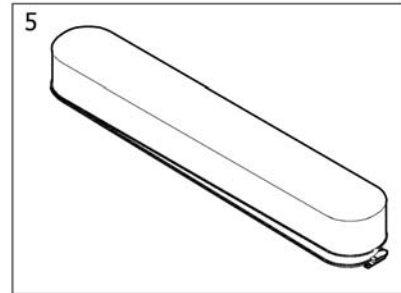
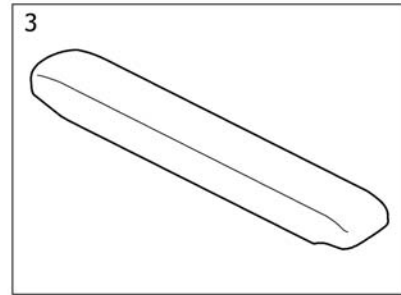
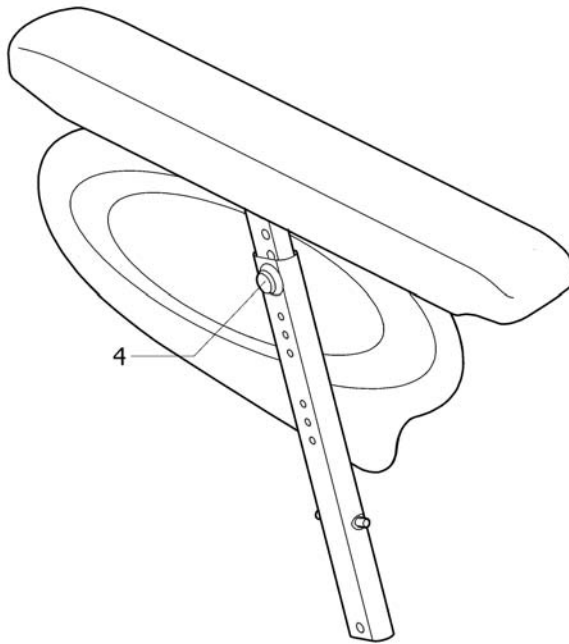


REACTING

Pos.	Part number	Description	Valid from → until	Qty
1	SP1570788	ARMREST, DUCKTAIL, LH		1
2	SP1570866	ARMREST, DUCKTAIL, RH		1
3	SP1584620	Armrest Ducktail High, LH		1
4	SP1584621	Armrest Ducktail High, RH		1
5	5106533	Locking Screw M12x10		1
6	SP1567515	HANDWHEEL KIT, PAIR, ARMREST		1
7	SP1451561	Ampad, Ducktail		1

Armrest, Rio

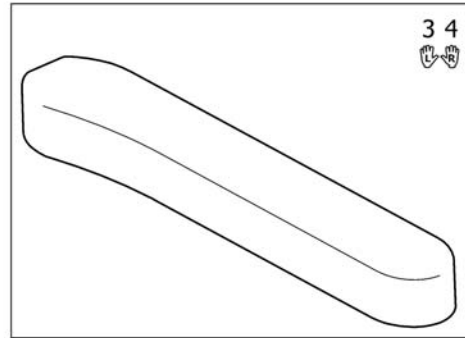
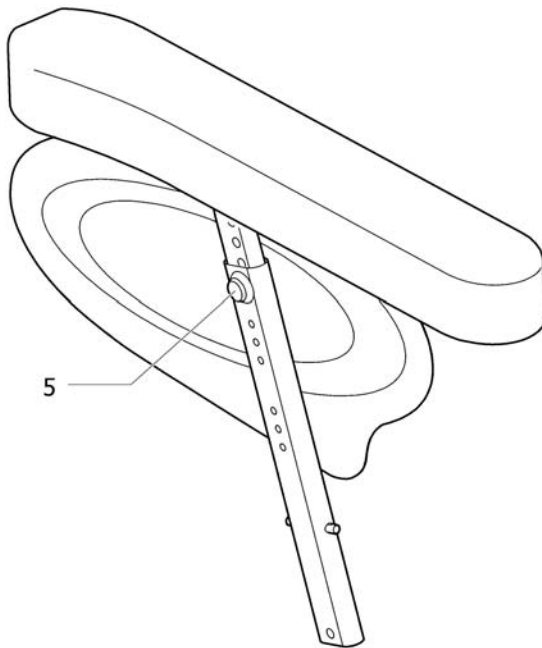
1 2
L R



/BROU5T565/

Pos.	Part number	Description	Valid from → until	Qty
1	SP1570787	ARMREST, RIO, LH		1
2	SP1570865	ARMREST, RIO, RH		1
3	1508064	Armpad Rio, Long, Cpl		1
4	5106533	Locking Screw M12x10		1
5	SP1574609	ARMPAD COVER, LONG, BLACK PLUSH TR35		1

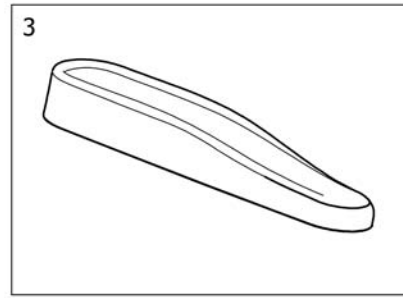
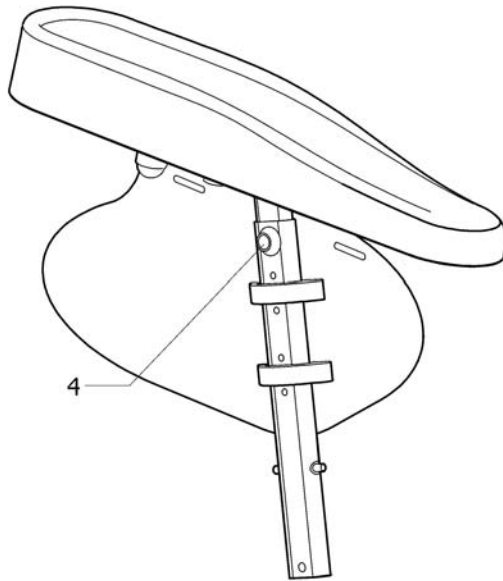
1 2

SP1570789

Pos.	Part number	Description	Valid from → until	Qty
1	SP1570789	ARMREST, WIDE, LH		1
2	SP1570867	ARMREST, WIDE, RH		1
3	1427171	ARMREST PAD LE, ASSIST		1
4	1427172	ARMREST PAD RI, ASSIST		1
5	5106533	Locking Screw M12x10		1

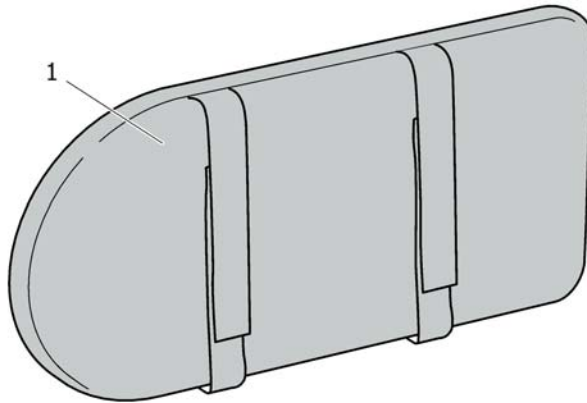
Armrest, hemi



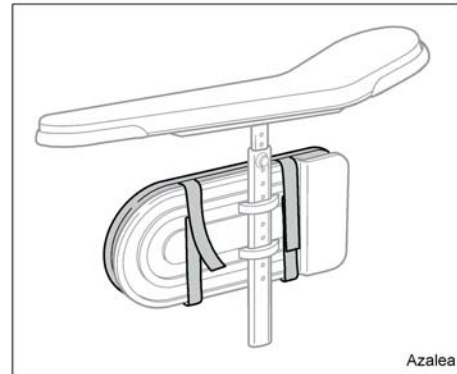
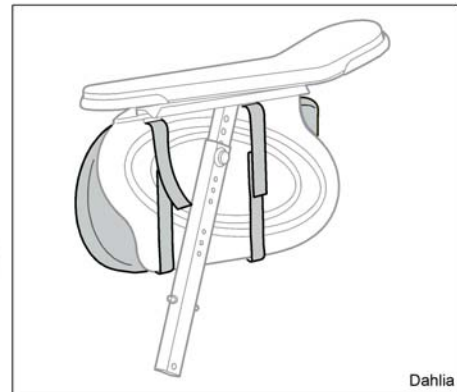
SP1570825

Pos.	Part number	Description	Valid from → until	Qty
1	SP1570825	ARMREST, HEMI, LH		1
2	SP1570868	ARMREST, HEMI, RH		1
3	1493251	Armpad, Hemi Armrest, Azalea		1
4	5106533	Locking Screw M12x10		1

Pad, siderest



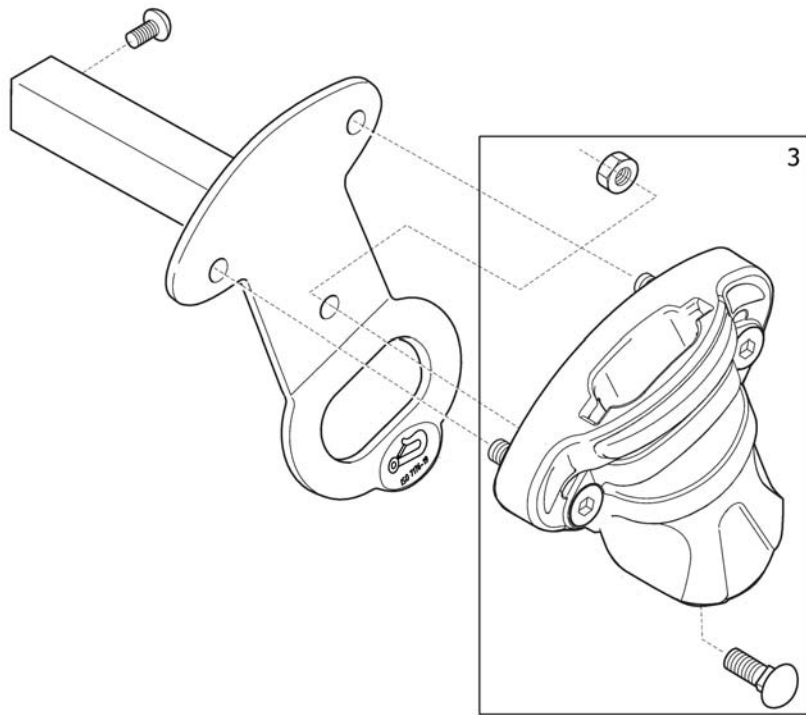
SP1563943



Pos.	Part number	Description	Valid from → until	Qty
1	SP1563943	SIDEREST PAD		1

Armrest attachment

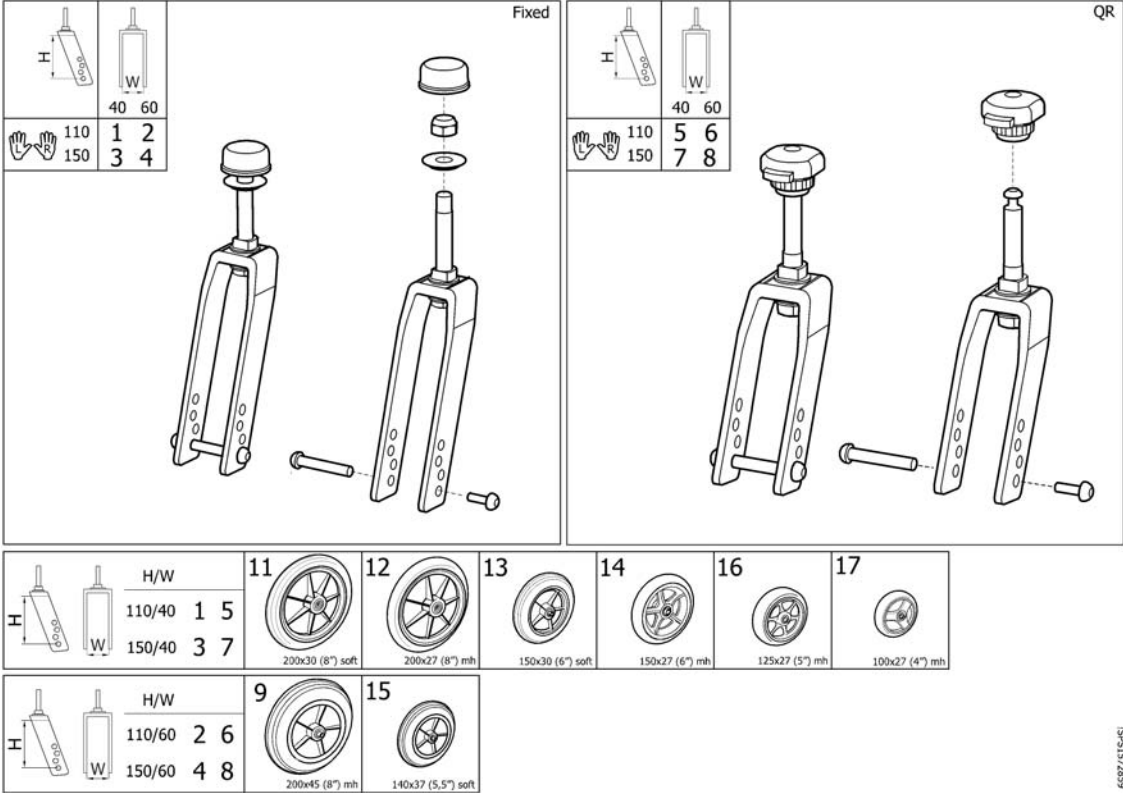
1 2
 



0251572773

Pos.	Part number	Description	Valid from → until	Qty
1	SP1572773	Armrest attachment, left, with transportation bracket, cpl.		1
2	SP1572774	Armrest attachment, right, with transportation bracket, cpl.		1
3	SP1574837	Armrest holder cpl.		1
4	SP1562306	Armrest attachment, left, with transportation bracket		1
5	SP1562307	Armrest attachment, right, with transportation bracket		1
6	SP1577120	Armrest attachment, left, cpl.		1
7	SP1577121	Armrest attachment, right, cpl.		1
9	SP1577118	Armrest attachment, left		1
10	SP1577119	Armrest attachment, right		1

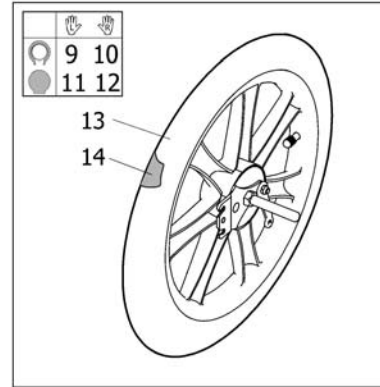
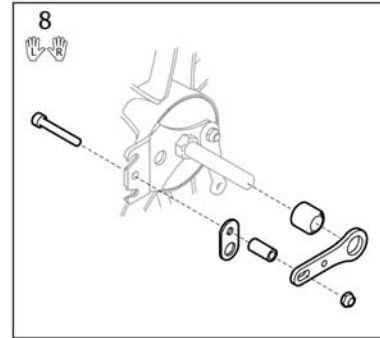
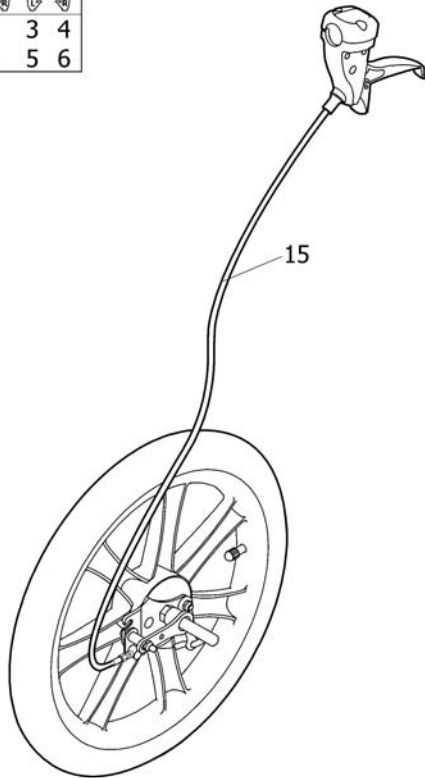
Castor wheels



15P51572859

Pos.	Part number	Description	Valid from → until	Qty
1	SP1571037	FORK 110 NARROW FIXED CPL.		1
2	SP1571038	FORK 110 WIDE FIXED CPL.		1
3	SP1571086	FORK 150 NARROW FIXED CPL.		1
4	SP1571087	FORK 150 WIDE FIXED CPL.		1
5	SP1572859	FORK 110 NARROW QR CPL.		1
6	SP1572860	FORK 110 WIDE QR CPL.		1
7	SP1572861	FORK 150 NARROW QR CPL.		1
8	SP1572862	FORK 150 WIDE QR CPL.		1
9	1418196	CASTOR 200x45 (8") MEDIUM HARD		1
10	5322005	CASTOR 200x32 (8") PNEUMATIC		1
11	5750800	CASTOR 200x30 (8") SOFT		1
12	5322004	CASTOR 200x27 (8") MEDIUM HARD		1
13	5750806	CASTOR 150x30 (6") SOFT (S)		1
14	1555797	CASTOR 150x30 (6") MH		1
15	5750734	Castor 140x40 (5,5") Soft		1
16	1491228	CASTOR 125x27 (5") MH		1
17	5750890	CASTOR 100x27 MH		1

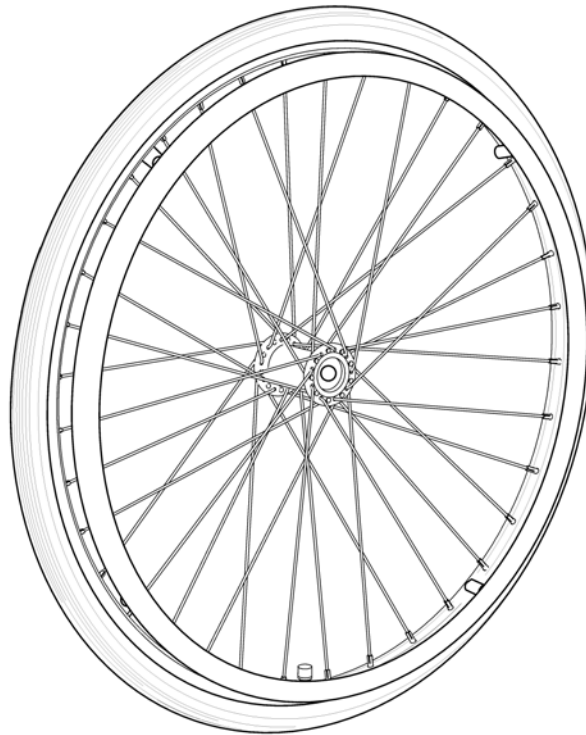
Wheels 16"



SP157294

Pos.	Part number	Description	Valid from → until	Qty
1	SP1572620	WHEEL 16" DRUMBRAKE PNEU PAIR		1
2	SP1572621	WHEEL 16" DRUMBRAKE SOLID PAIR		1
3	SP1572957	WHEEL 16" DRUMBRAKE PNEU, LE INCL. CABLE ASSY.		1
4	SP1572956	WHEEL 16" DRUMBRAKE PNEU, RI INCL. CABLE ASSY.		1
5	SP1574587	WHEEL 16" DRUMBRAKE LH SOLID		1
6	SP1574586	WHEEL 16" DRUMBRAKE RH SOLID		1
7	1536764	DECAL, CABLE ASSEMBLY, BRAKE		1
8	SP1574878	Brake attachment kit, Pair		1
9	1537134	WHEEL 16" PNEU DB LEFT		1
10	1537133	WHEEL 16" PNEU DB RIGHT		1
11	1537136	WHEEL 16" SOLID DB LEFT		1
12	1537135	WHEEL 16" SOLID DB RIGHT		1
13	1440029	Tyre 16"x1,75 Pneu		1
14	5750778	Tube 16" x 1.75		1
15	1527425	Cable Assy 1235, Brake		1

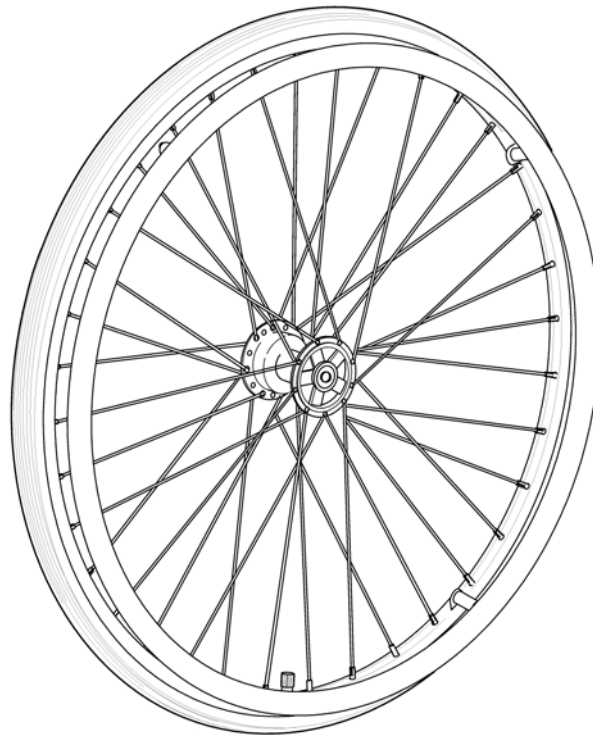
24"



Pos.	Part number	Description	Valid from → until	Qty
1	1498423	Wheel 24x1.3/8in spoked + anod handrim + pneu-tyre		1
2	1498263	Wheel 24x1.3/8in spoked std hub anod handrim + solid-tyre		1

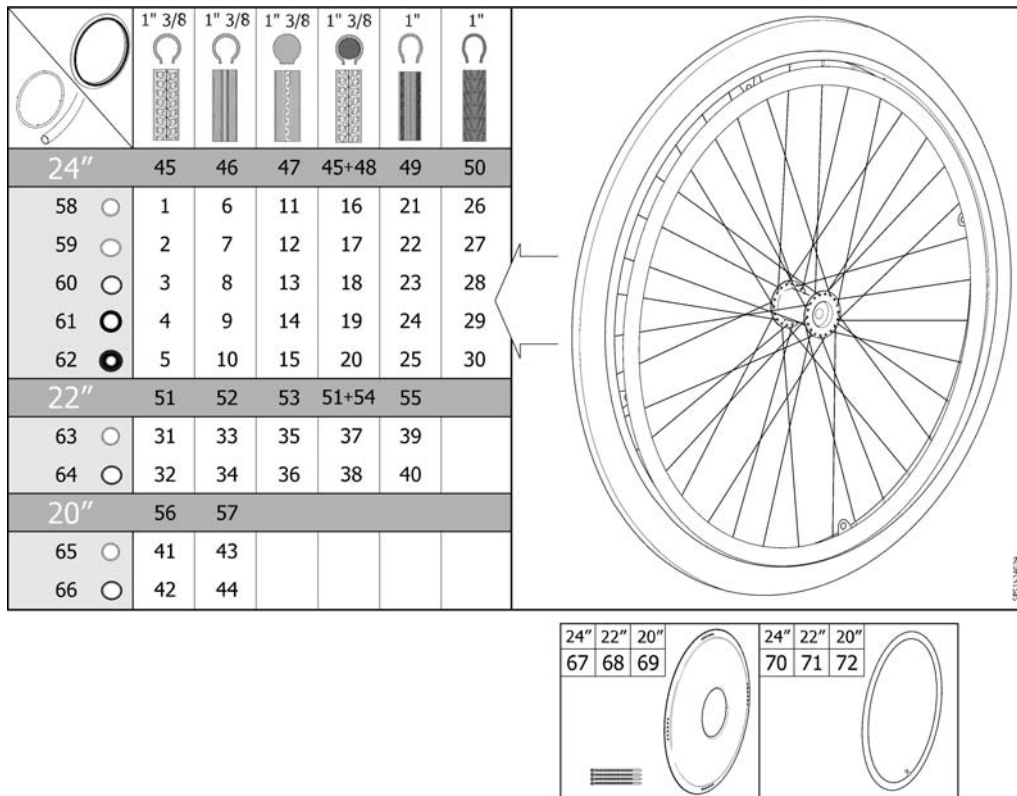
Wheels 24" Basic DB

24" DB



Pos.	Part number	Description	Valid from → until	Qty
1	1492644	Wheel 24" Basic Db, Pneumatic, Profiled + Handrim 21", Alu.		1
2	1492645	Wheel 24" Basic Db, Solid + 21" Alu.		1

Wheel 24-22-20"



Pos.	Part number	Description	Valid from → until	Qty
1	1524030	Wheel 24" Pneu. Profiled + Handrim, Alu, Std2010		1
2	1524186	Wheel 24" Pneu. Profiled + Handrim, Plastic Coated, Std2010		1
3	1530764	Wheel 24" Pneu. Profiled + Handrim, Stainless, Std2010		1
4	1531508	Wheel 24" Pneu. Profiled + Handrim, Foam Coated, Std2010		1
5	1531563	Wheel 24" Pneu. Profiled + Handrim, Blackgrip, Std2010		1
6	1524029	Wheel 24" Pneu. Non-Marking + Handrim, Alu, Std2010		1
7	1524163	Wheel 24" Pneu. Non-Marking + Handrim, Plastic Coated, Std2010		1
8	1530763	Wheel 24" Pneu. Non-Marking + Handrim, Stainless, Std2010		1
9	1531462	Wheel 24" Pneu. Non-Marking + Handrim, Foam Coated, Std2010		1
10	1531538	Wheel 24" Pneu. Non-Marking + Handrim, Blackgrip, Std2010		1
11	1524050	Wheel 24" Solid + Handrim, Alu, Std2010		1
12	1524188	Wheel 24" Solid + Handrim, Plastic Coated, Std2010		1
13	1530762	Wheel 24" Solid + Handrim, Stainless, Std2010		1
14	1531531	Wheel 24" Solid + Handrim, Foam Coated, Std2010		1
15	1531564	Wheel 24" Solid + Handrim, Blackgrip, Std2010		1
16	1524150	Wheel 24" Punctureproof + Handrim, Alu, Std2010		1
17	1524189	Wheel 24" Punctureproof + Handrim, Plastic Coated, Std2010		1
18	1531129	Wheel 24" Punctureproof + Handrim, Stainless, Std2010		1
19	1531532	Wheel 24" Punctureproof + Handrim, Foam Coated, Std2010		1
20	1531565	Wheel 24" Punctureproof + Handrim, Blackgrip, Std2010		1
21	1524049	Wheel 24x1" Low Profile + Handrim, Alu., Std2010		1
22	1524187	Wheel 24x1" Low Profile + Handrim, Plastic Coated, Std2010		1
23	1531063	Wheel 24x1" Low Profile + Handrim, Stainless Steel, Std2010		1
24	1531533	Wheel 24x1" Low Profile + Handrim, Foam Coated, Std2010		1
25	1531566	Wheel 24x1" Low Profile + Handrim, Black Grip, Std2010		1
26	1532143	Wheel 24" Black Marathon + Handrim, Alu., Std2010		1
27	1532183	Wheel 24" Black Marathon + Handrim, Plastic Coated, Std2010		1
28	1532144	Wheel 24" Black Marathon + Handrim, Stainless Steel, Std2010		1
29	1532184	Wheel 24" Black Marathon + Handrim, Foam Coated, Std2010		1
30	1532185	Wheel 24" Black Marathon + Handrim, Black Grip, Std2010		1
31	1523949	Wheel 22" Pneu. Profiled + Handrim, Alu, Std2010		1

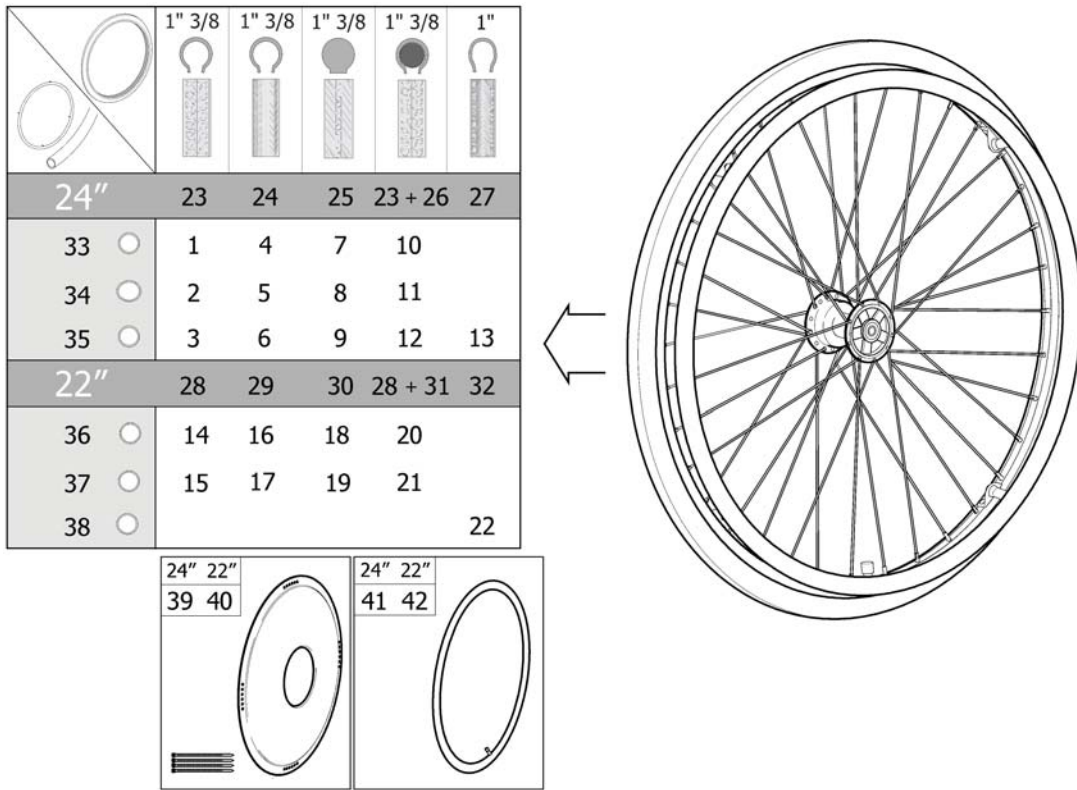
Wheel 24-22-20"

Pos.	Part number	Description	Valid from → until	Qty
32	1524024	Wheel 22" Pneu. Profiled + Handrim, Plastic Coated, Std2010		1
33	1523948	Wheel 22" Pneu. Non-Marking + Handrim, Alu, Std2010		1
34	1524023	Wheel 22" Pneu. Non-Marking + Handrim, Plastic Coated, Std2010		1
35	1524021	Wheel 22" Solid + Handrim, Alu, Std2010		1
36	1524027	Wheel 22" Solid + Handrim, Plastic Coated, Std2010		1
37	1524022	Wheel 22" Punctureproof + Handrim, Alu, Std2010		1
38	1524028	Wheel 22" Punctureproof + Handrim, Plastic Coated, Std2010		1
39	1524020	Wheel 22x1" Low Profile + Handrim, Alu., Std2010		1
40	1524026	Wheel 22x1" Low Profile + Handrim, Plastic Coated, Std2010		1
41	1523944	Wheel 20" Pneu. Profiled + Handrim, Alu, Std2010		1
42	1523945	Wheel 20" Pneu. Profiled + Handrim, Plastic Coated, Std2010		1
43	1523885	Wheel 20" Pneu. Non-Marking + Handrim, Alu, Std2010		1
44	1523902	Wheel 20" Pneu. Non-Marking + Handrim, Plastic Coated, Std2010		1
45	5750019	Tyre 24"x1 3/8", Profiled		1
46	5750014	Tyre 24"x1 3/8" (32-540), Non-Marking		1
47	5750015	Tyre 24"x1 3/8", Solid		1
48	5207046	Tube 24"x1 3/8", Flex		1
49	5750160	Tyre 24"x1" (25-540), Non-Marking		1
50	1512742	Tyre 24"x1" (25-540), Black Marathon		1
51	1531455	Tyre 22"x1 3/8" (37-501) Profiled		1
52	1531456	Tyre 22" (25-501) Non-Marking,		1
53	5750172	Tyre 22" Solid		1
54	5750732	Tube 22"x1 3/8", Flex		1
55	1531454	Tyre 22"x1" (25-501) Low Profile		1
56	5750017	Tyre 20"x1 3/8", Profiled		1
57	5750012	Tyre 20"x1 3/8", Non-Marking		1
58	1531577	Handrim Aluminium Cpl, 24" Wheel, Std2010		1
59	1531578	Handrim Plastic Cpl, 24" Wheel, Std2010		1
60	1531305	Handrim Stainless Cpl, 24" Wheel, Std2010		1
61	1531459	Handrim Foam Coated Cpl, 24" Wheel, Std2010		1
62	1531460	Handrim Black Grip Cpl, 24" Wheel, Std2010		1
63	1531579	Handrim Aluminium Cpl, 22" Wheel, Std2010		1
64	1531580	Handrim Plastic Cpl, 22" Wheel, Std2010		1
65	1530271	Handrim Aluminium Cpl, 20" Wheel, Std2010		1
66	1530272	Handrim Plastic Cpl, 20" Wheel, Std2010		1
67	5102807	Spoke Protection 24" Frosted Cpl		1
68	5102800	Spoke Protection 22" Frosted Cpl		1
69	5102795	Spoke Protection 20" Frosted Cpl		1
70	5750036	Tube 24"x1 3/8"		1
70	5750161	Tube 24"x1" (25-540)		1
71	5750035	Tube 22"x1 3/8"		1
72	5750034	Tube 20"x1 3/8"		1

Handrim Stainless Cpl, 24" Wheel, Std2010

Pos.	Part number	Description	Valid from → until	Qty
3854	1528924	SKRUV MRX M5X40 FZB, KLASS 4.8 PHIL, DIN 7985		4
3854	1529757	DRIVRING 24" ROSTFRI		1
3854	1531457	DISTANS DRIVRING L=22MM		4
3854	1531458	DISTANS DRIVRING L=5MM		4

Wheel 24-22" DB



951534416

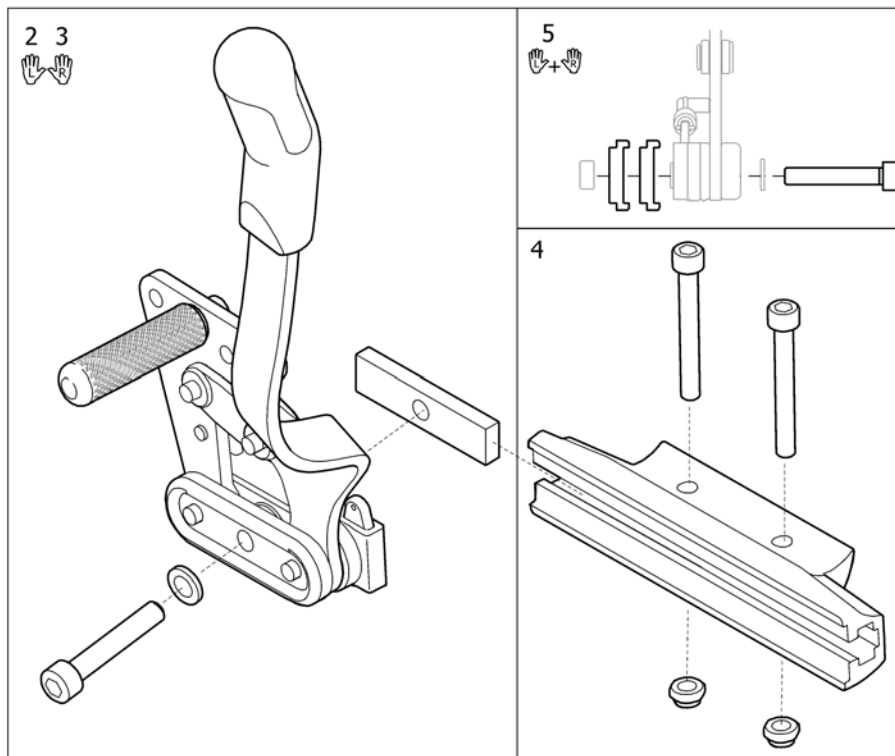
Pos.	Part number	Description	Valid from → until	Qty
1	1524437	Wheel 24" Db Pneu. Profiled + Handrim, Alu, Std2010		1
2	1524514	Wheel 24" Db Pneu. Profiled + Handrim, Plastic Coated, Std2010		1
3	1531080	Wheel 24" Db Pneu. Profiled + Handrim, Stainless, Std2010		1
4	1524436	Wheel 24" Db Pneu. Non-Marking + Handrim, Alu, Std2010		1
5	1524513	Wheel 24" Db Pneu. Non-Marking + Handrim, Plastic Coated, Std2010		1
6	1531064	Wheel 24" Db Pneu. Non-Marking + Handrim, Stainless, Std2010		1
7	1524447	Wheel 24" Db Solid + Handrim, Alu, Std2010		1
8	1524515	Wheel 24" Db Solid + Handrim, Plastic Coated, Std2010		1
9	1531127	Wheel 24" Db Solid + Handrim, Stainless, Std2010		1
10	1524512	Wheel 24" Db Punctureproof + Handrim, Alu, Std2010		1
11	1524516	Wheel 24" Db Punctureproof + Handrim, Plastic Coated, Std2010		1
12	1531128	Wheel 24" Db Punctureproof + Handrim, Stainless, Std2010		1
13	1536613	Wheel 24x1" Db Low Profile + Handrim, Stainless, Std2010		1
14	1524290	Wheel 22" Db Pneu. Profiled + Handrim, Alu, Std2010		1
15	1524361	Wheel 22" Db Pneu. Profiled + Handrim, Plastic Coated, Std2010		1
16	1524289	Wheel 22" Db Pneu. Non-Marking + Handrim, Alu, Std2010		1
17	1524337	Wheel 22" Db Pneu. Non-Marking + Handrim, Plastic Coated, Std2010		1
18	1524291	Wheel 22" Db Solid + Handrim, Alu, Std2010		1
19	1524388	Wheel 22" Db Solid + Handrim, Plastic Coated, Std2010		1
20	1524292	Wheel 22" Db Punctureproof + Handrim, Alu, Std2010		1
21	1524435	Wheel 22" Db Punctureproof + Handrim, Plastic Coated, Std2010		1
22	1536612	Wheel 22x1" Db Low Profile + Handrim, Stainless, Std2010		1
23	5750019	Tyre 24"x1 3/8", Profiled		1
24	5750014	Tyre 24"x1 3/8" (32-540), Non-Marking		1
25	5750015	Tyre 24"x1 3/8", Solid		1
26	5207046	Tube 24"x1 3/8", Flex		1
27	5750160	Tyre 24"x1" (25-540), Non-Marking		1
28	1531455	Tyre 22"x1 3/8" (37-501) Profiled		1
29	1531456	Tyre 22" (25-501) Non-Marking,		1
30	5750172	Tyre 22" Solid		1
31	5750732	Tube 22"x1 3/8", Flex		1

Wheel 24-22" DB

Pos.	Part number	Description	Valid from → until	Qty
32	1531454	Tyre 22"x1" (25-501) Low Profile		1
33	1531577	Handrim Aluminium Cpl, 24" Wheel, Std2010		1
34	1531578	Handrim Plastic Cpl, 24" Wheel, Std2010		1
35	1531305	Handrim Stainless Cpl, 24" Wheel, Std2010		1
36	1531579	Handrim Aluminium Cpl, 22" Wheel, Std2010		1
37	1531580	Handrim Plastic Cpl, 22" Wheel, Std2010		1
38	1536546	Handrim, Stainless Cpl, 22" Wheel, Std2010		1
39	5102807	Spoke Protection 24" Frosted Cpl		1
40	5102800	Spoke Protection 22" Frosted Cpl		1
41	5750036	Tube 24"x1 3/8"		1
42	5750035	Tube 22"x1 3/8"		1

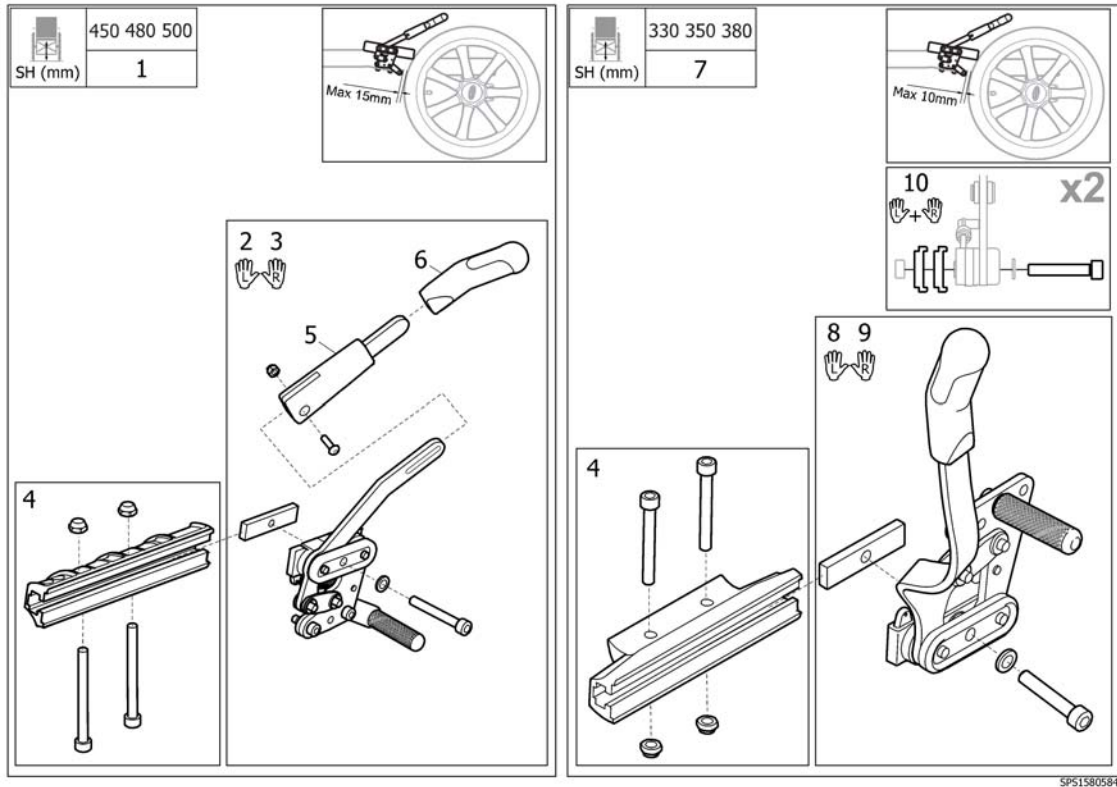
Brake, user manoeuvred 20-24" wheel

1

Pos.	Part number	Description	Valid from → until	Qty
1	SP1581134	Brake Dahlia cpl. pair, brake attachm. incl.		1
2	1508981	BRAKE CPL BENT LEVER, LEFT		1
3	1508980	BRAKE CPL BENT LEVER, RIGHT		1
4	SP1578224	Brake attachment cpl.		1
5	5207648	WIDTH EXT 10MM, BRAKE		1

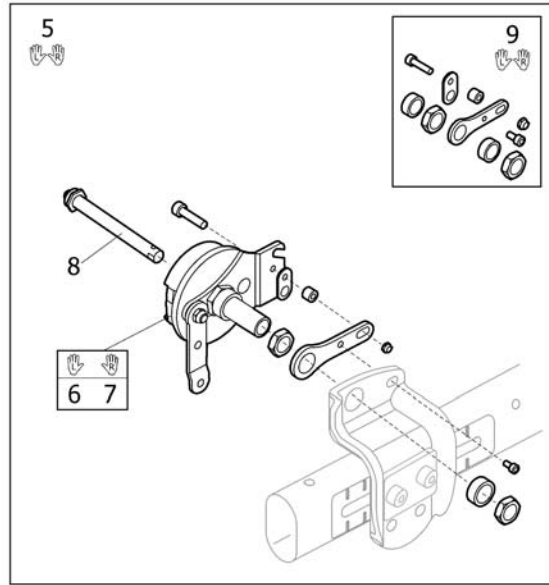
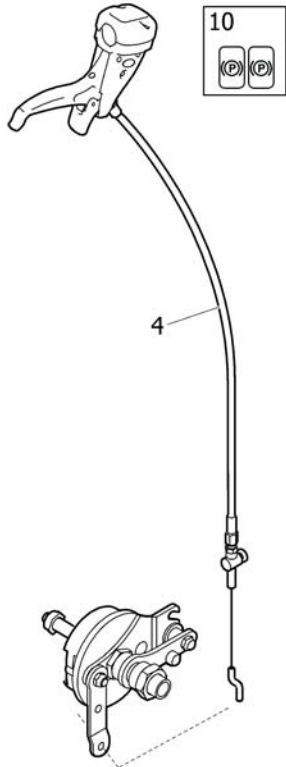
Brake, user manoeuvred 16" wheel



SP51580584

Pos.	Part number	Description	Valid from → until	Qty
1	SP1580614	Brake, user manoeuvred, pair cpl. 16" wheel		1
2	SP1446117	Brake left, cpl.		1
3	SP1446118	Brake right, cpl.		1
4	SP1578224	Brake attachment cpl.		1
5	SP5203340	Brake arm extension, cpl.		1
6	SP5221280	Handle grip for parking brake		1
7	SP1581134	Brake Dahlia cpl. pair, brake attachm. incl.		1
8	1508981	BRAKE CPL BENT LEVER, LEFT		1
9	1508980	BRAKE CPL BENT LEVER, RIGHT		1
10	5207648	WIDTH EXT 10MM, BRAKE		1

Drumbrake, assistant manouvered

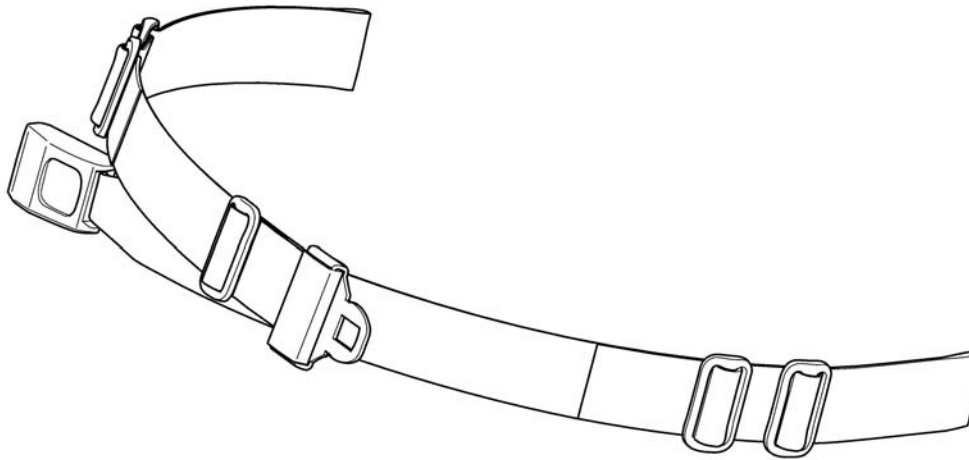


MRECELSA®

Pos.	Part number	Description	Valid from → until	Qty
1	SP1570973	BRAKE KIT CPL, DB, PAIR		1
2	SP1573084	BRAKE KIT CPL, DB, LH		1
3	SP1573083	BRAKE KIT CPL, DB, RH		1
4	SP1527425	Cable assy 1235mm, brake		1
5	SP1574884	Brake kit db, pair		1
6	1536253	DRUMBRAKE UNIT, LEFT, MBL		1
7	1536252	DRUMBRAKE UNIT, RIGHT, MBL		1
8	5750192	Axle, Drumbrake		1
9	SP1603591	Brake attachment kit, Pair		1
10	1536764	DECAL, CABLE ASSEMBLY, BRAKE		1

Pelvic belt

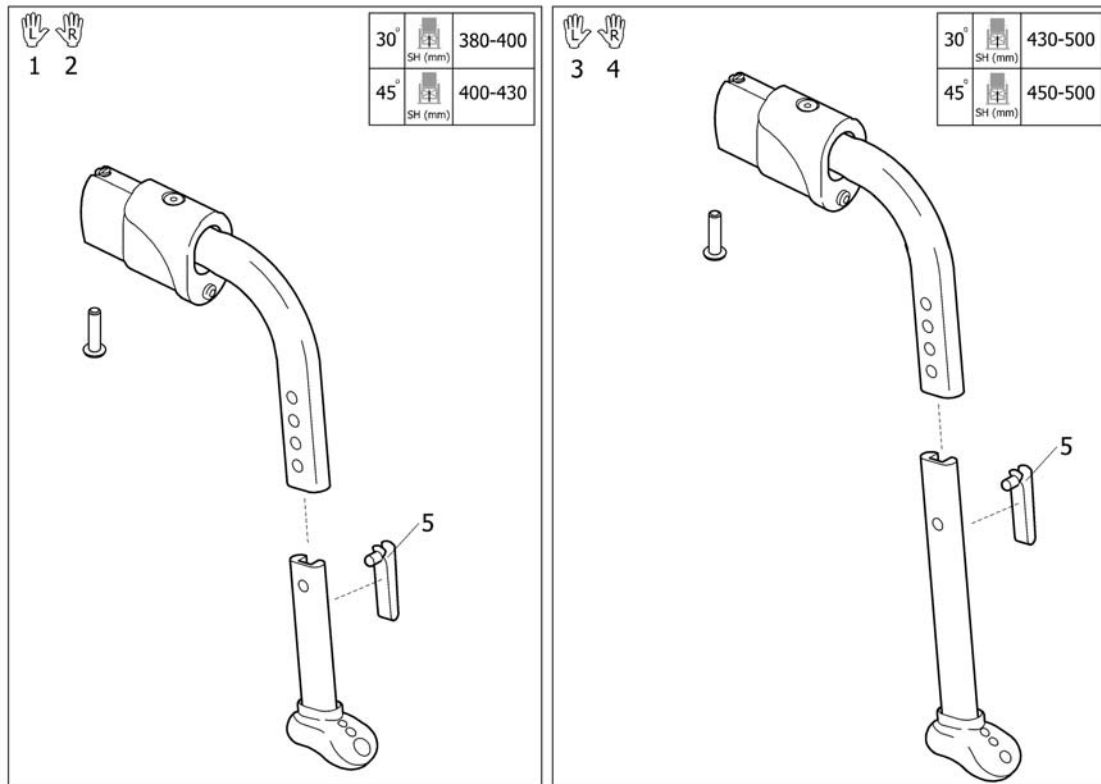
1



1551066

Pos.	Part number	Description	Valid from → until	Qty
1	1551066	Pelvic belt		1

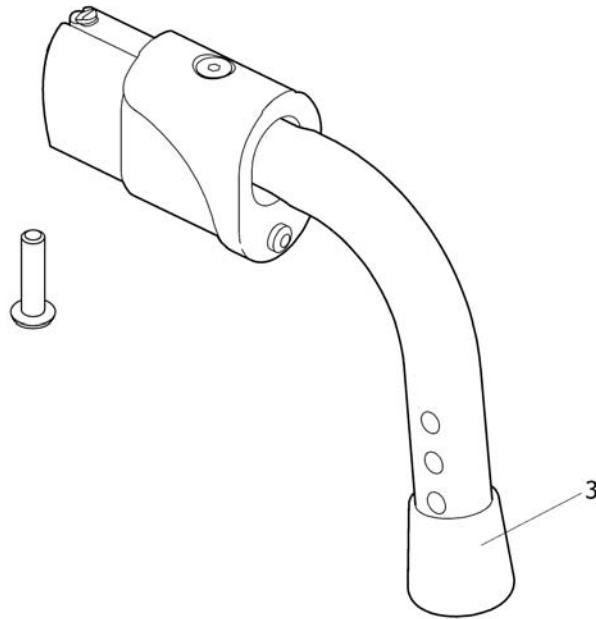
Anti-tip device



Pos.	Part number	Description	Valid from → until	Qty
1	SP1570634	Anti-tip device, short left		1
2	SP1570635	Anti-tip device, short right		1
3	SP1568300	Anti-tip device cpl, left		1
4	SP1568299	Anti-tip device cpl, right		1
5	1560734	Snap button		1



30°		330-350
45°		350-380

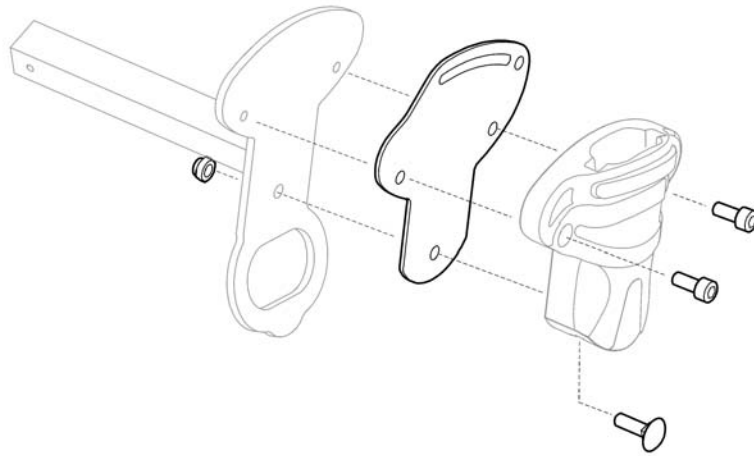


15951571755

Pos.	Part number	Description	Valid from → until	Qty
1	SP1571755	Extra low anti-tip device cpl, left		1
2	SP1571756	Extra low anti-tip device cpl, right		1
3	5716493	END CAP Ø18, RUBBER BLACK		1

Positioning belt attachment

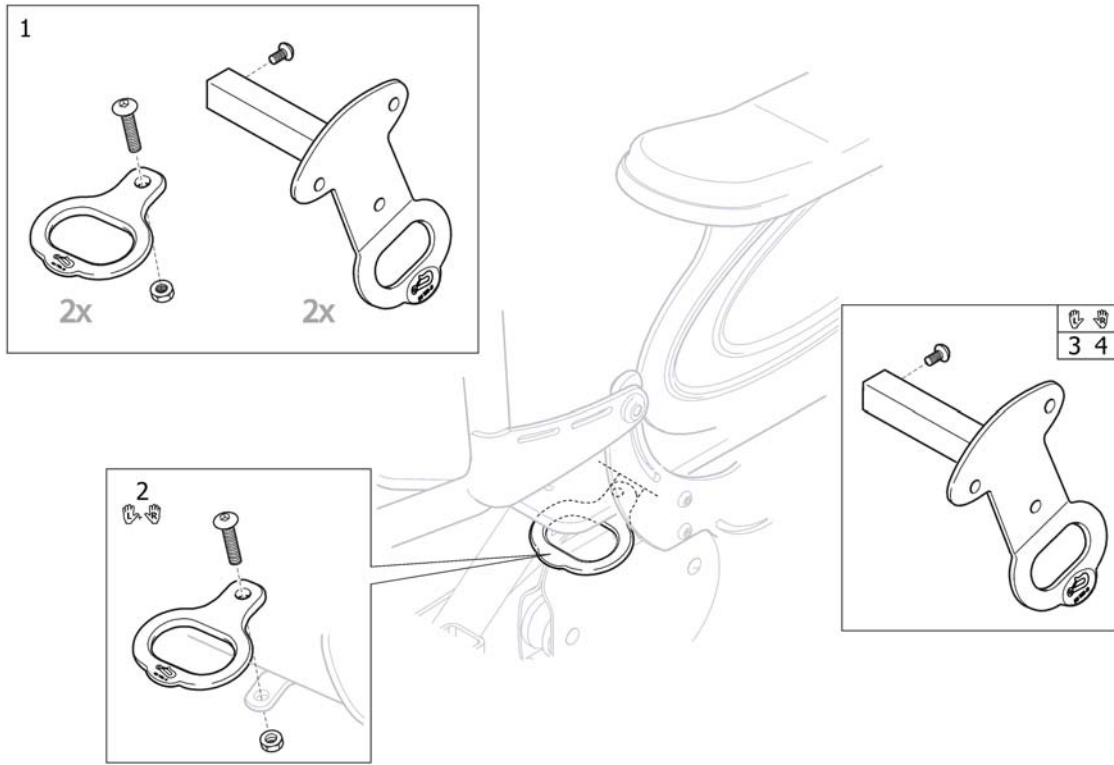
1
🔍



SPS1570882

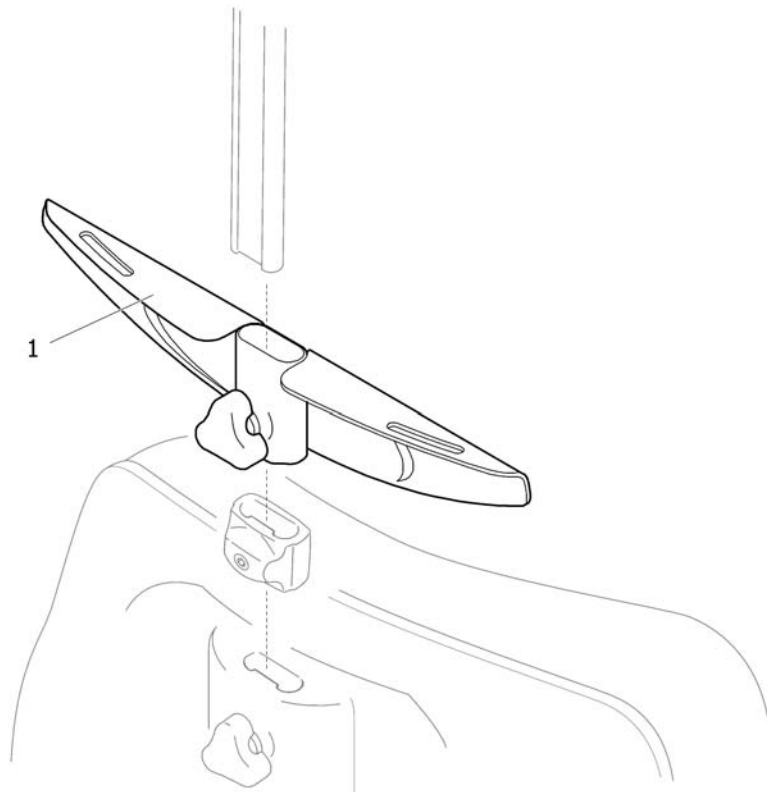
Pos.	Part number	Description	Valid from → until	Qty
1	SP1570882	Positioning belt attachment, pair		1

Transportation brackets



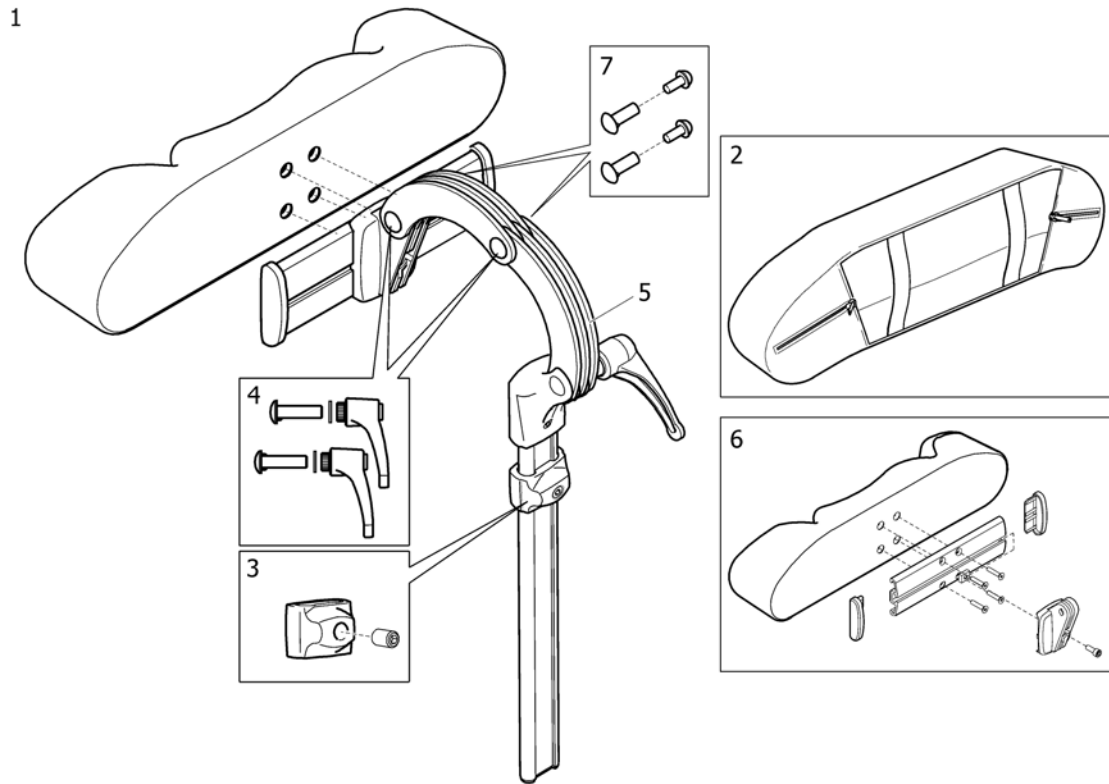
Pos.	Part number	Description	Valid from → until	Qty
1	SP1570883	Transportation kit, cpl.		1
2	SP1570884	Transportation brackets, pair		1
3	SP1562306	Armrest attachment, left, with transportation bracket		1
4	SP1562307	Armrest attachment, right, with transportation bracket		1

Attachment, X-harness, Flex3



Pos.	Part number	Description	Valid from → until	Qty
1	SP1559963	Attachment, X-harness, Flex3		1

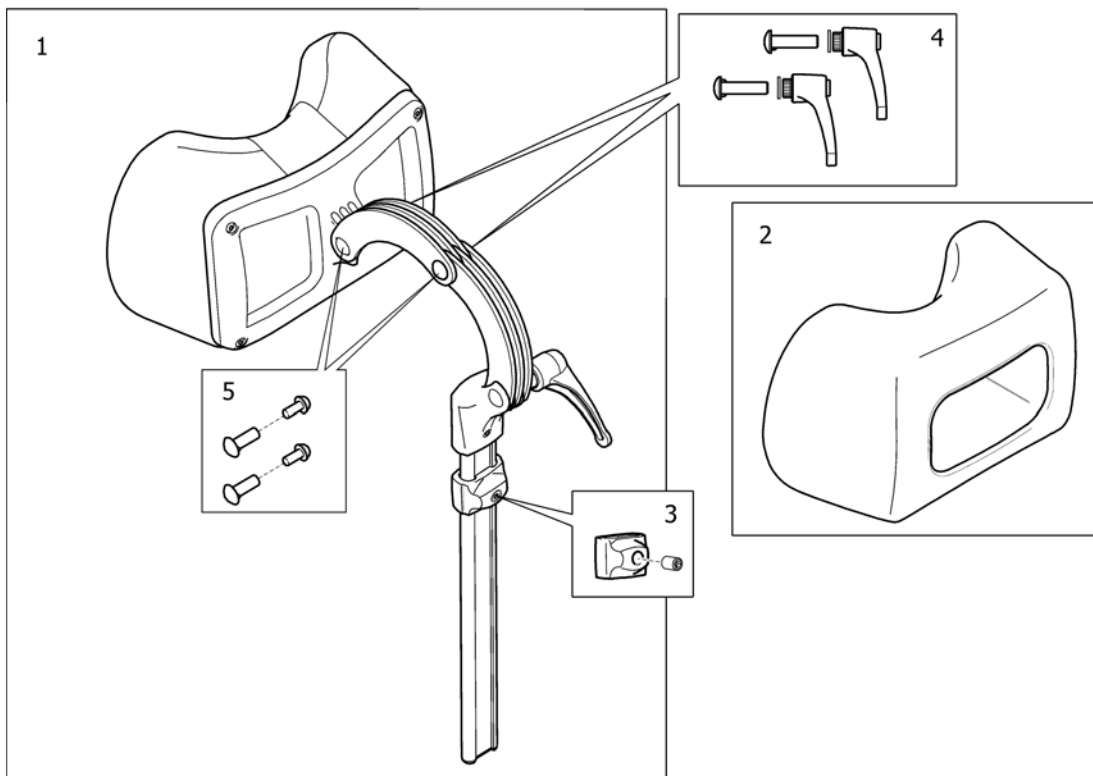
Headrest



SP5144559

Pos.	Part number	Description	Valid from → until	Qty
1	1446559	Headrest, Sidewise Adj.		1
2	1518516	Cover, Headrest		1
3	1448661	STOP CPL., NECK- & HEADREST		1
4	1445693	CLINIC KIT, NECK- & HEADREST		1
5	1485538	KIT, HEADREST ATTACHMENT		1
6	1530755	HEADREST CUSHION CPL		1
7	SP1572769	FASTENERS KIT, HEAD- & NECKREST		1

Neckrest

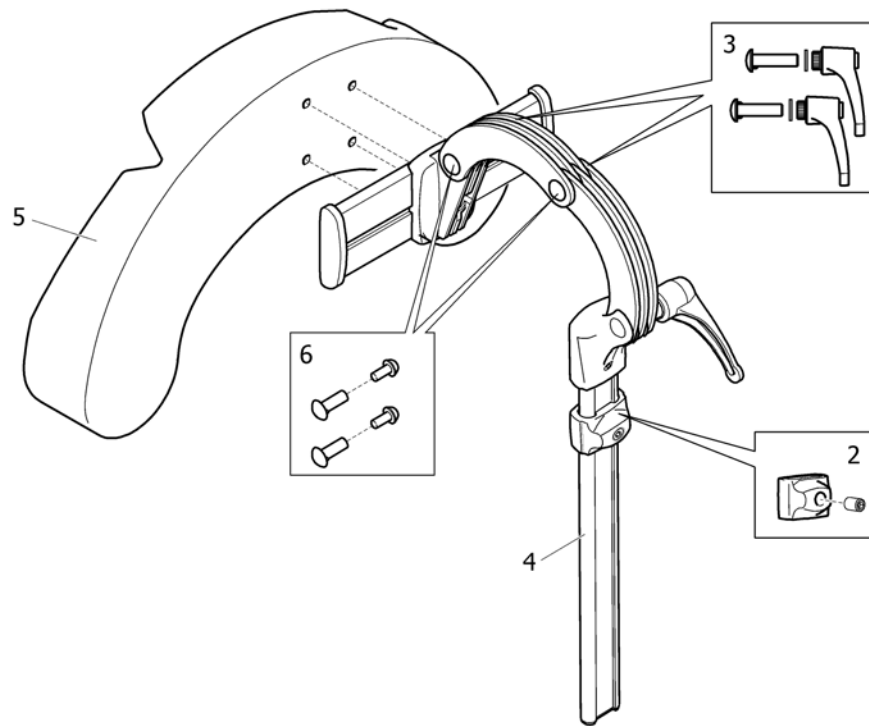


SP150848

Pos.	Part number	Description	Valid from → until	Qty
1	1508848	NECKREST		1
2	1518517	COVER, NECKREST		1
3	1448661	STOP CPL., NECK- & HEADREST		1
4	1445693	CLINIC KIT, NECK- & HEADREST		1
5	SP1572769	FASTENERS KIT, HEAD- & NECKREST		1

Cheek support

1

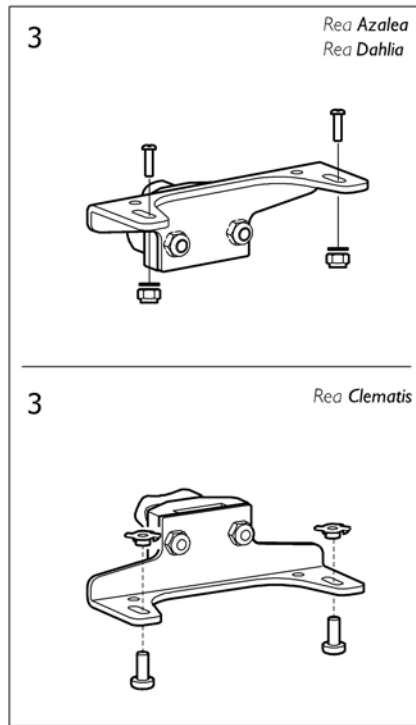
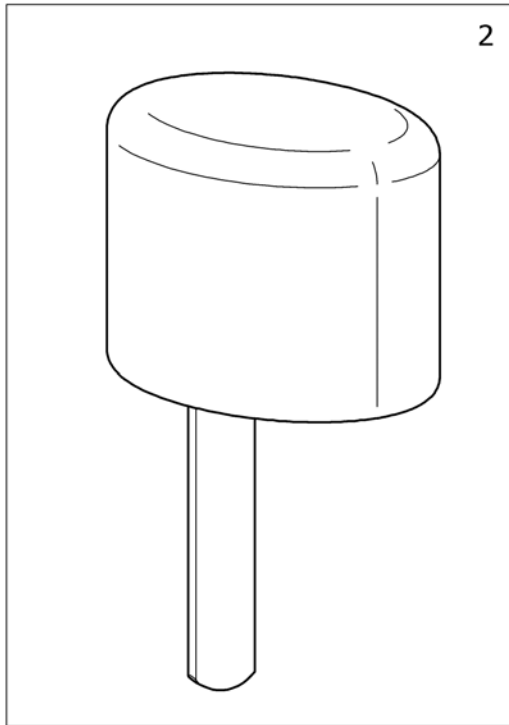


SP11446560

Pos.	Part number	Description	Valid from → until	Qty
1	1446560	Cheek Support, Sidewise Adj.		1
2	1448661	STOP CPL., NECK- & HEADREST		1
3	1445693	CLINIC KIT, NECK- & HEADREST		1
4	1485538	KIT, HEADREST ATTACHMENT		1
5	1444304	CUSHION, CHEEK SUPPORT		1
6	SP1572769	FASTENERS KIT, HEAD- & NECKREST		1

Pommel

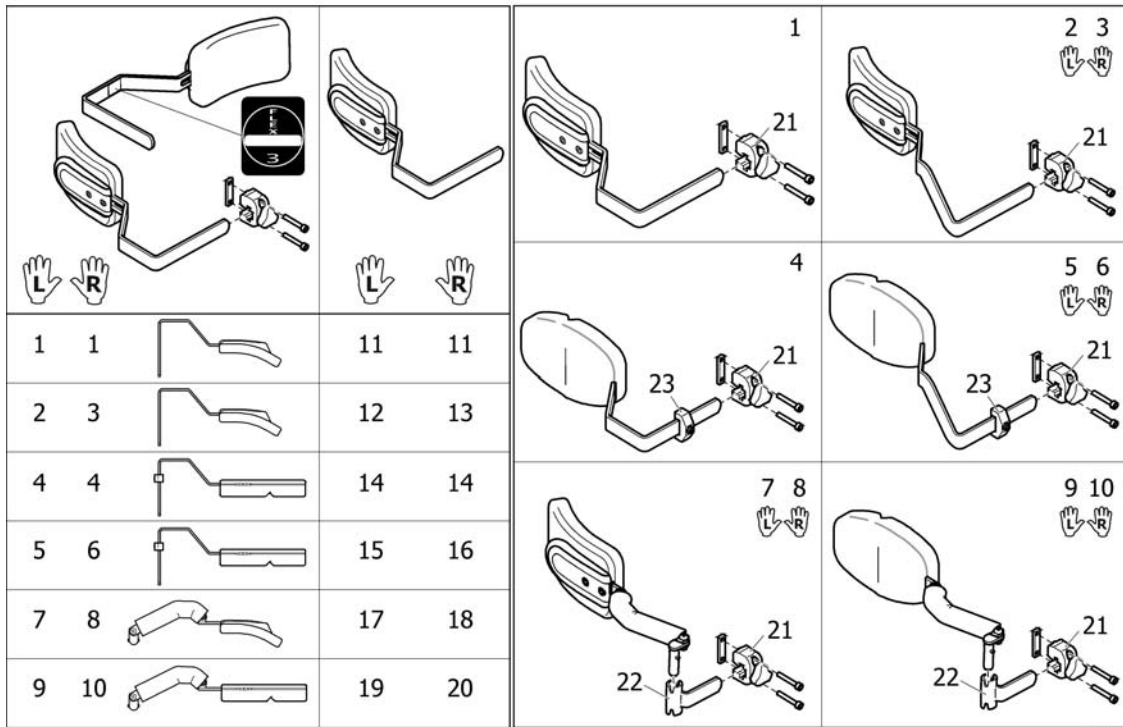
1



SP144172

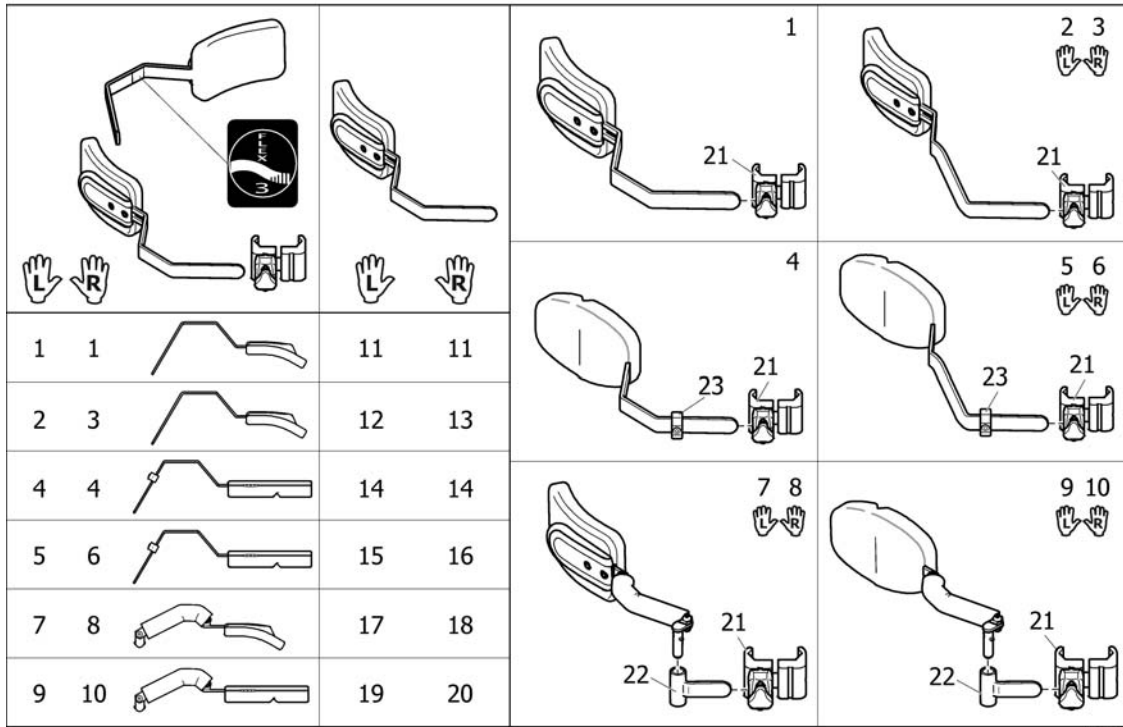
Pos.	Part number	Description	Valid from → until	Qty
1	SP1449897	Pommel, Azalea + Clematis		1
2	1444172	POMMEL, DARTEX BLACK		1
3	SP1450464	Holder pommel, Azalea/Clematis		1

Trunk supports, Flex3 backrest



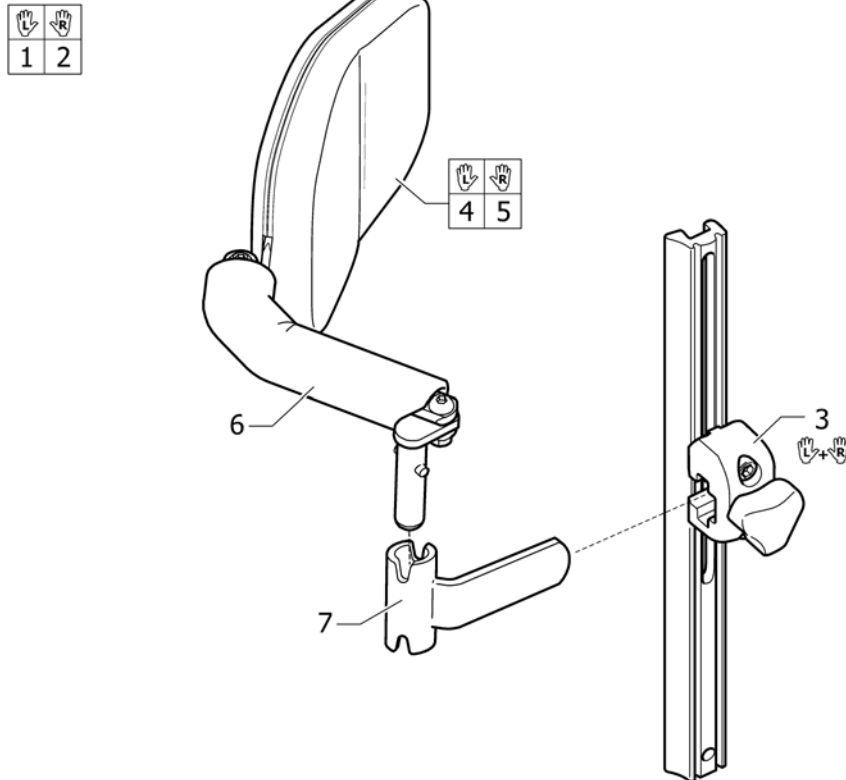
Pos.	Part number	Description	Valid from → until	Qty
1	SP1557672	Trunk support 2012, cpl.		1
2	SP1552680	Trunk support 2012, le, extended, cpl.		1
3	SP1552681	Trunk support 2012, ri, extended, cpl.		1
4	SP1552726	Trunk support 2012, multi adj, cpl.		1
5	SP1552728	Trunk support 2012, le, multi adj, extended, cpl.		1
6	SP1552729	Trunk support 2012, ri, multi adj, extended, cpl.		1
7	SP1557673	Trunk support 2012, le, swingaway, cpl.		1
8	SP1557674	Trunk support 2012, ri, swingaway, cpl.		1
9	SP1557675	Trunk support 2012, le, multi adj, Swingaway, cpl.		1
10	SP1557676	Trunk support 2012, ri, multi adj, Swingaway, cpl.		1
11	SP1552698	Trunk support 2012		1
12	SP1552678	Trunk support 2012, le, extended		1
13	SP1552679	Trunk support 2012, ri, extended		1
14	SP1555690	Trunk support 2012, multi adj.		1
15	SP1555692	Trunk support 2012, le, multi adj, extended		1
16	SP1555691	Trunk support 2012, ri, multi adj, extended		1
17	SP1551853	Trunk Support 2012, Le, Swingaway		1
18	SP1551866	Trunk Support 2012, Ri, Swingaway		1
19	SP1529225	Trunk support, multi adj., left		1
20	SP1529224	Trunk support, multi adj., right		1
21	SP1543574	Attachment, trunk support 2012		1
22	SP1524903	Retainer, Trunk Support		1
23	SP1448728	Memory, Trunk support		1

Trunk supports, Flex3 tension adj. backrest



Pos.	Part number	Description	Valid from → until	Qty
1	SP1561730	Trunk support 2012, cpl, Flex3 tension adj,		1
2	SP1562962	Trunk support 2012, le, extended, cpl, Flex3 tension adj.		1
3	SP1562963	Trunk support 2012, ri, extended, cpl, Flex3 tension adj.		1
4	SP1561729	Trunk support 2012, multi adj, cpl, Flex3 tension adj.		1
5	SP1562960	Trunk support 2012, le, multi adj, extended, cpl, Flex3 tension adj.		1
6	SP1562961	Trunk support 2012, ri, multi adj, extended, cpl, Flex3 tension adj.		1
7	SP1561641	Trunk support 2012, le, swingaway, cpl, Flex3 tension adj.		1
8	SP1561642	Trunk support 2012, ri, swingaway, cpl, Flex3 tension adj.		1
9	SP1561651	Trunk support 2012, le, multi adj, Swingaway, cpl, Flex3 tension adj.		1
10	SP1561652	Trunk support 2012, ri, multi adj, Swingaway, cpl, Flex3 tension adj.		1
11	SP1561728	Trunk support 2012, Flex3 tension adj.		1
12	SP1562922	Trunk support 2012, le, extended, Flex3 tension adj.		1
13	SP1562921	Trunk support 2012, ri, extended, Flex3 tension adj.		1
14	SP1561727	Trunk support 2012, multi adj, Flex3 tension adj.		1
15	SP1562920	Trunk support 2012, le, multi adj, extended, Flex3 tension adj.		1
16	SP1562919	Trunk support 2012, ri, multi adj, extended, Flex3 tension adj.		1
17	SP1551853	Trunk Support 2012, Le, Swingaway		1
18	SP1551866	Trunk Support 2012, Ri, Swingaway		1
19	SP1529225	Trunk support, multi adj., left		1
20	SP1529224	Trunk support, multi adj., right		1
21	SP1554143	Attachment, Trunk Support		1
22	SP1524903	Retainer, Trunk Support		1
23	SP1448728	Memory, Trunk support		1

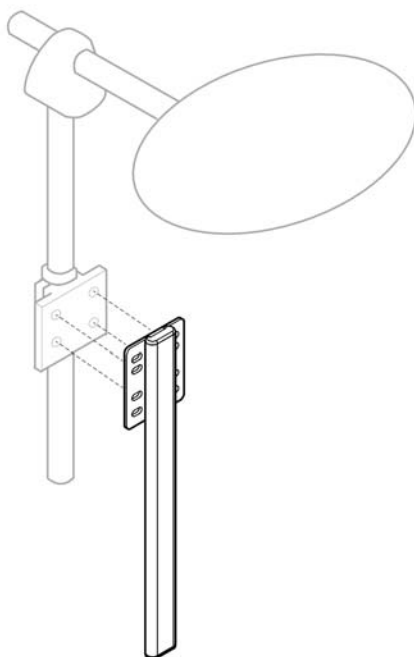
Trunk support, multi adj, Swingaway, Laguna2



Pos.	Part number	Description	Valid from → until	Qty
1	1530500	TRUNKSUPPORT, MULTI ADJ, LEFT, INCL. ATT		1
2	1530482	TRUNKSUPPORT, MULTI ADJ, RIGHT, INCL. ATT		1
3	1518526	ATTACHMENT, PAIR, TRUNK SUPPORT		1
4	1529225	TRUNKSUPPORT, MULTI ADJ. LEFT, CPL		1
5	1529224	TRUNKSUPPORT, MULTI ADJ. RIGHT, CPL		1
6	1437642	Trunk Protection Dartex		1
7	1524903	Retainer, Trunk Support		1

Head-/Neckrest pole

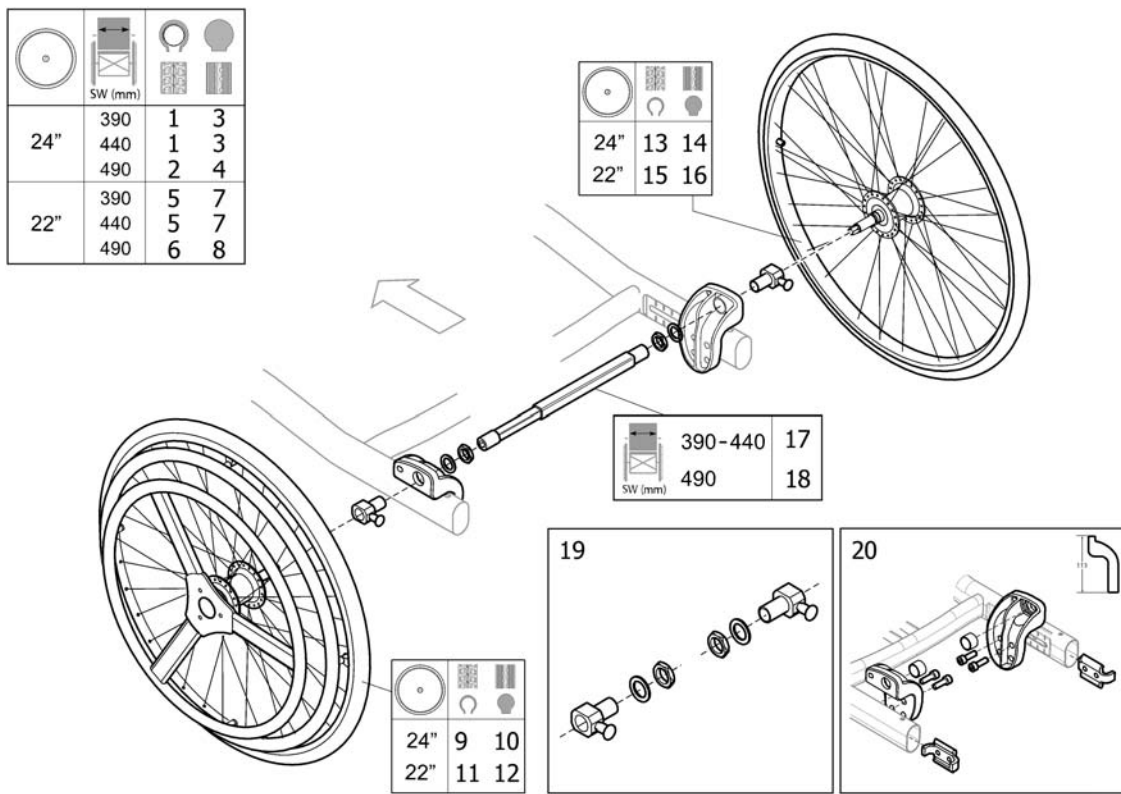
1



SP1581931

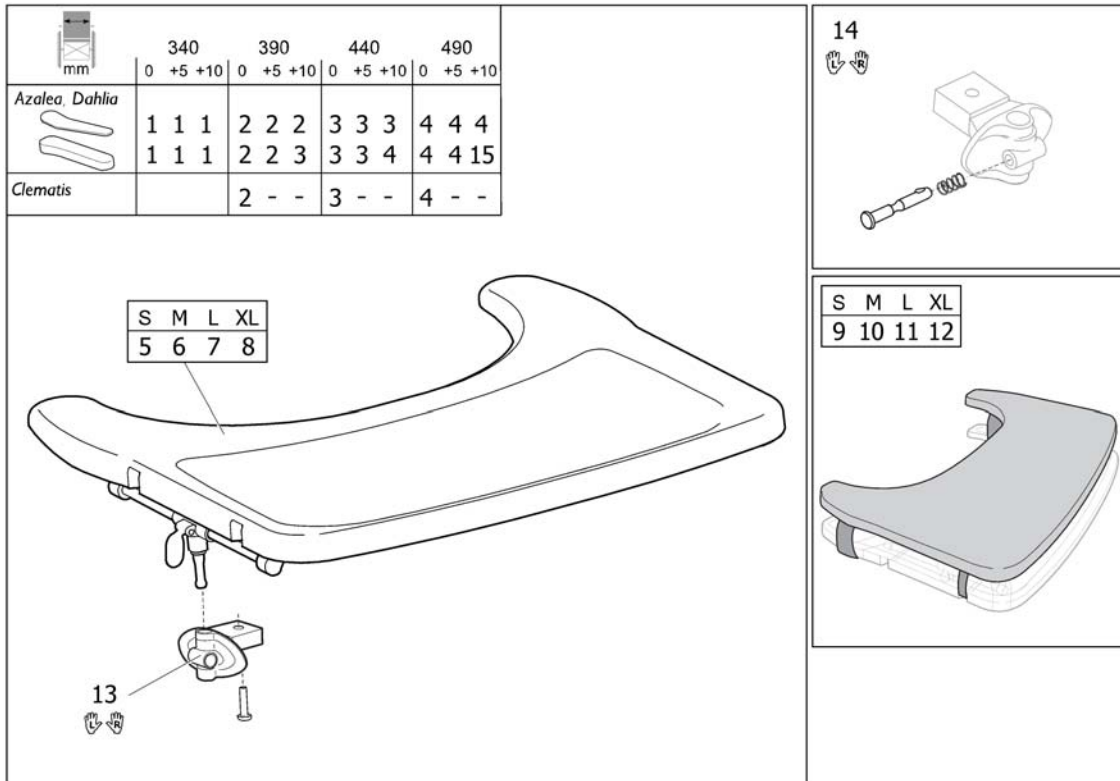
Pos.	Part number	Description	Valid from → until	Qty
1	SP1581931	Alternative Headrest mounting bracket		1

One arm drive



Pos.	Part number	Description	Valid from → until	Qty
1	SP1513269	ONE ARM DRIVE, 24" PNEU., CPL		1
2	SP1513270	ONE ARM DRIVE, 24" PNEU., CPL		1
3	SP1513271	ONE ARM DRIVE, 24" SOLID, CPL		1
4	SP1513272	ONE ARM DRIVE, 24" SOLID, CPL		1
5	SP1574096	ONE ARM DRIVE, 22" PNEU., CPL		1
6	SP1574098	ONE ARM DRIVE, 22" PNEU., CPL		1
7	SP1574074	ONE ARM DRIVE, 22" SOLID, CPL		1
8	SP1574097	ONE ARM DRIVE, 22" SOLID, CPL		1
9	1509382	24" DHR active wheel pneumatic		1
10	1509436	24" DHR active wheel solid		1
11	1574072	WHEEL 22" PNEU, ONE ARM DRIVE		1
12	1574073	WHEEL 22" SOLID, ONE ARM DRIVE		1
13	1508491	24" DHR passive wheel pneumatic		1
14	1508490	24" DHR passive wheel solid		1
15	1574070	WHEEL 22" PNEU, NO HANDRIM, ONE ARM DRIVE		1
16	1574071	WHEEL 22" SOLID, NO HANDRIM, ONE ARM DRIVE		1
17	1511769	Telescopic Shaft 270 mm -385mm		1
18	1508487	Telescopic Shaft 345 mm -460mm		1
19	SP1513658	BRACKET KIT, ONE ARM DRIVE		1
20	SP1572768	REARWHEEL ATT., LOW, PAIR, ONE ARM DRIVE		1

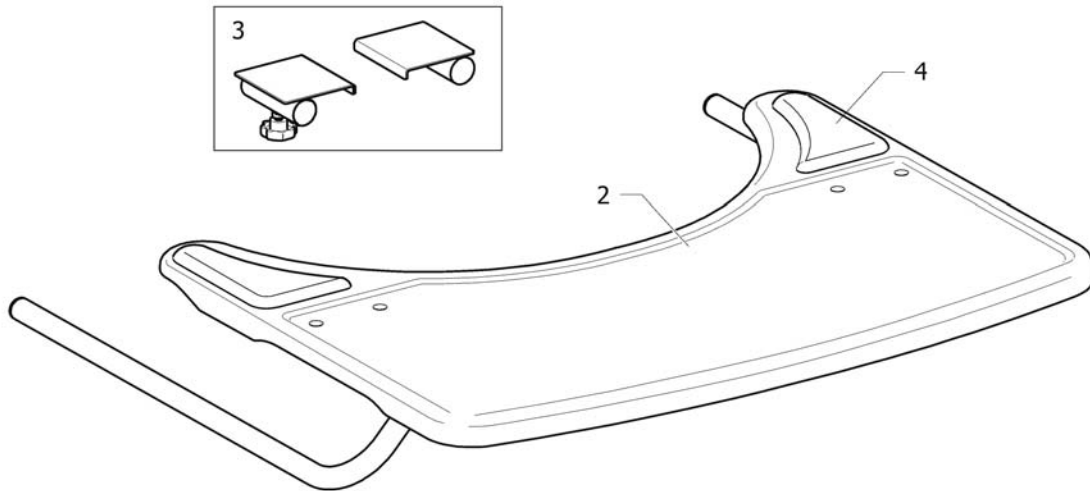
Table tray



Pos.	Part number	Description	Valid from → until	Qty
1	SP1570747	TABLE TRAY SMALL INCL. MOUNTING KIT		1
2	SP1570748	TABLE TRAY MEDIUM INCL. MOUNTING KIT		1
3	SP1570749	TABLE TRAY LARGE INCL. MOUNTING KIT		1
4	SP1570775	TABLE TRAY X-LARGE INCL. MOUNTING KIT		1
5	SP1567517	TABLE TRAY SMALL		1
6	SP1567518	TABLE TRAY MEDIUM		1
7	SP1567519	TABLE TRAY LARGE		1
8	SP1568862	TABLE TRAY X-LARGE		1
9	SP1570746	TABLE CUSHION, SMALL		1
10	SP1571269	TABLE CUSHION, MEDIUM		1
11	SP1571270	TABLE CUSHION, LARGE		1
12	SP1571271	TABLE CUSHION, X-LARGE		1
13	SP1570745	MOUNTING KIT, TABLE		1
14	SP1572460	LOCKING DEVICE, KIT, TABLE		1
15	-	Table tray, Azalea Max		1

Table tray, Azalea Max



1

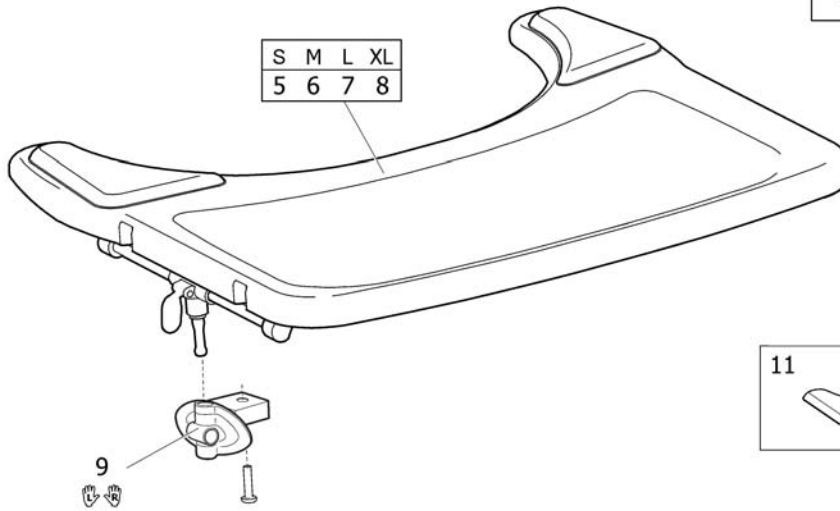
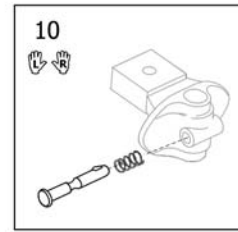


SPS1532190

Pos.	Part number	Description	Valid from → until	Qty
1	1528869	Table Tray Cpl, Azalea Max		1
2	1531907	Table Tray, Azalea Max		1
3	1532190	Attachment kit, Table Tray, Azalea Max		1
4	1497825	Elbow Pad, Pair, Table		1

Table tray with armpad

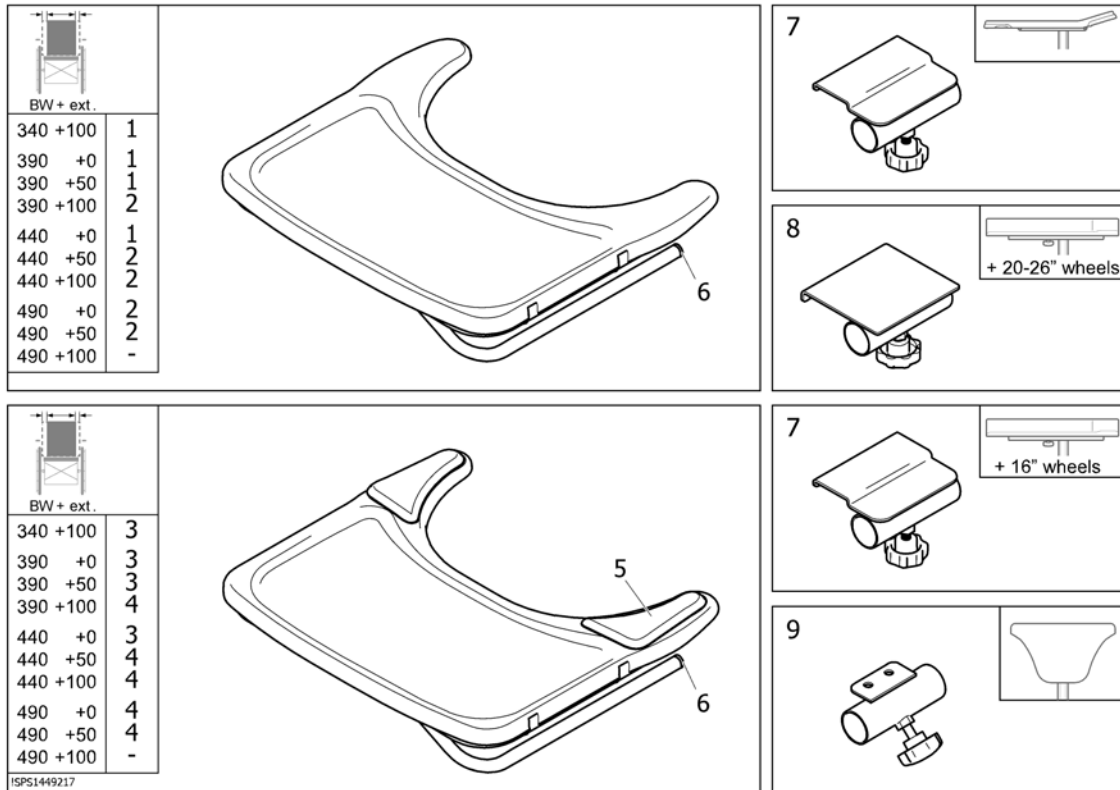
mm	340			390			440			490		
	0	+5	+10	0	+5	+10	0	+5	+10	0	+5	+10
	1	1	1	2	2	2	3	3	3	4	4	4
	1	1	1	2	2	3	3	3	4	4	4	



SP1580887

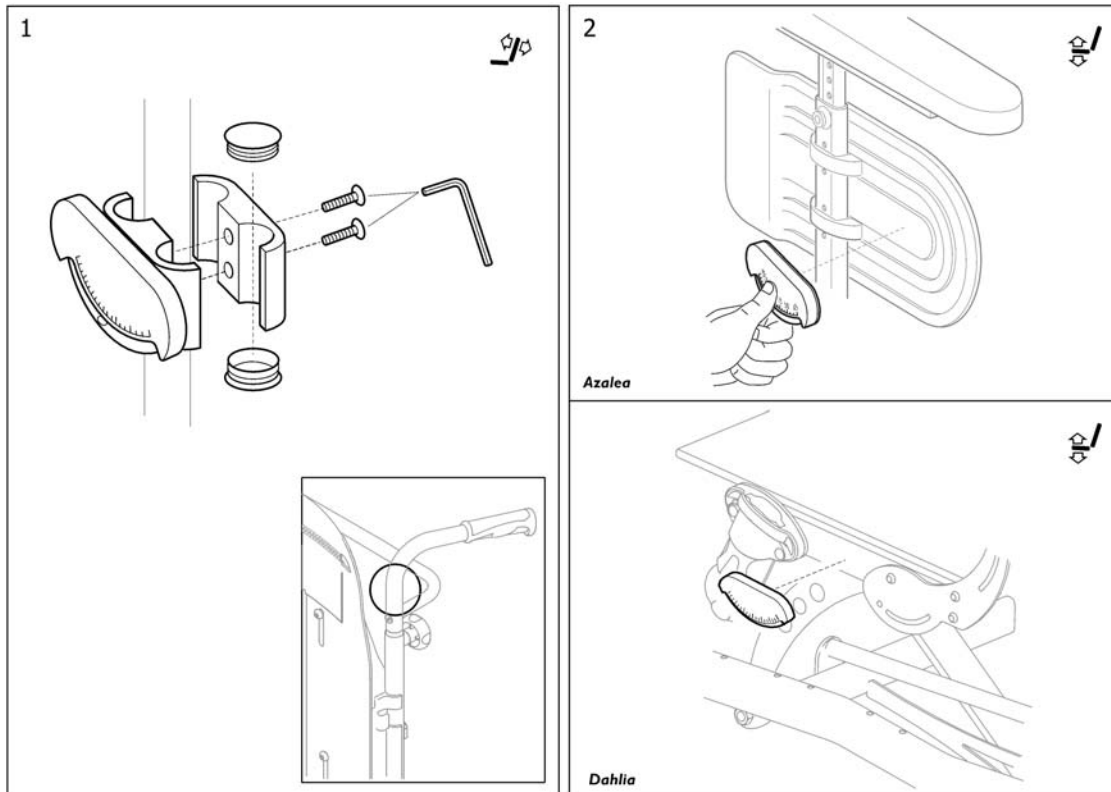
Pos.	Part number	Description	Valid from → until	Qty
1	SP1580891	TABLE TRAY, S, ARMPAD, INCL. MOUNTING KIT		1
2	SP1580892	TABLE TRAY, M, ARMPAD, INCL. MOUNTING KIT		1
3	SP1580893	TABLE TRAY, L, ARMPAD, INCL. MOUNTING KIT		1
4	SP1580894	TABLE TRAY, XL, ARMPAD, INCL. MOUNTING KIT		1
5	SP1580887	TABLE TRAY, S, ARMPAD		1
6	SP1580888	TABLE TRAY, M, ARMPAD		1
7	SP1580889	TABLE TRAY, L, ARMPAD		1
8	SP1580890	TABLE TRAY, XL, ARMPAD		1
9	SP1570745	MOUNTING KIT, TABLE		1
10	SP1572460	LOCKING DEVICE, KIT, TABLE		1
11	1497825	Elbow Pad, Pair, Table		1

Table tray "Swingaway"



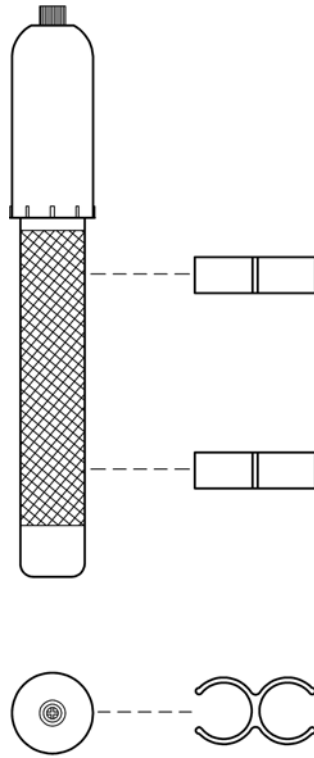
Pos.	Part number	Description	Valid from → until	Qty
1	SP1586424	Table tray Swingaway, small, cpl.		1
2	SP1586425	Table tray Swingaway, medium, cpl.		1
3	SP1584394	Table tray Swingaway incl. pads, small, cpl.		1
4	SP1584395	Table tray Swingaway incl. pads, medium, cpl.		1
5	1497825	Elbow Pad, Pair, Table		1
6	5716296	PLUG Ø22X19.5, PLASTIC BLACK		1
7	1449218	ATTACHMENT, TABLE TRAY CPL., "SWINGAWAY"		1
8	1531131	ATTACHMENT CPL, TABLE RIGHT		1
9	1449839	ATTACHM. TABLE		1

Tilt scale



Pos.	Part number	Description	Valid from → until	Qty
1	SP1563954	Tilt scale, backrest		1
2	SP1561584	Tilt scale, seat		1

Pump

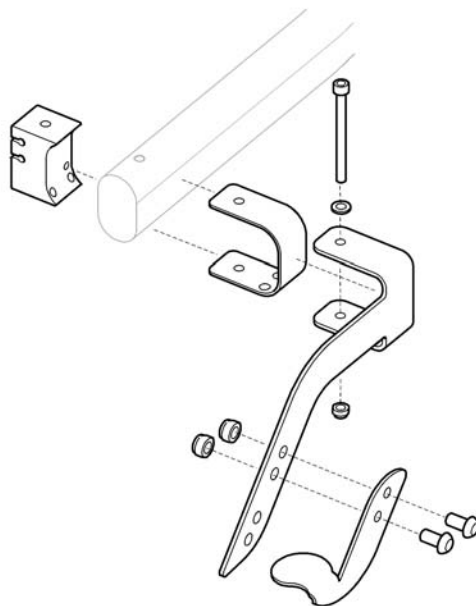


SPS575072€

Pos.	Part number	Description	Valid from → until	Qty
	5750729	Pump Cpl.		1

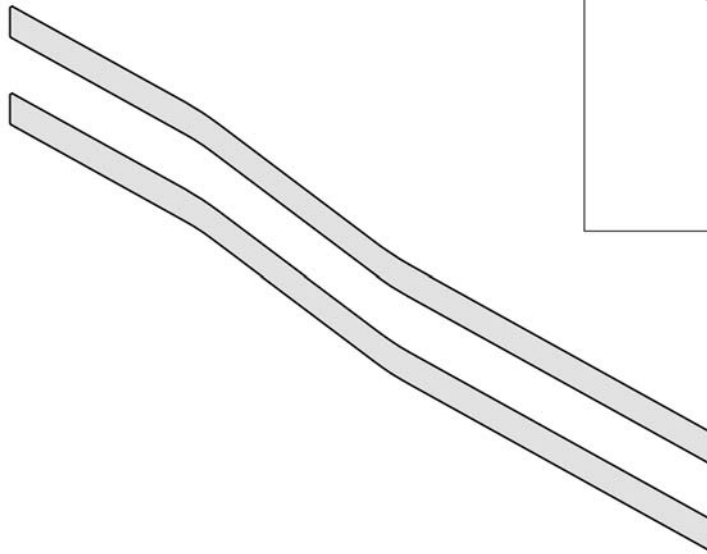
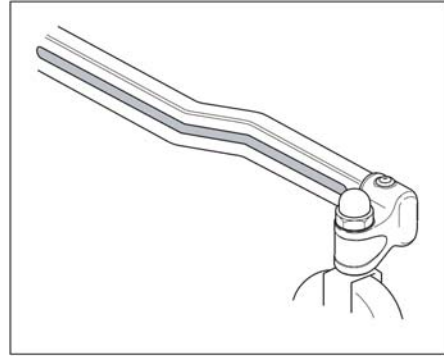
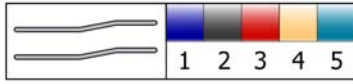
Step tube

1



Pos.	Part number	Description	Valid from → until	Qty
1	SP1573173	Step tube		1

Colour kit

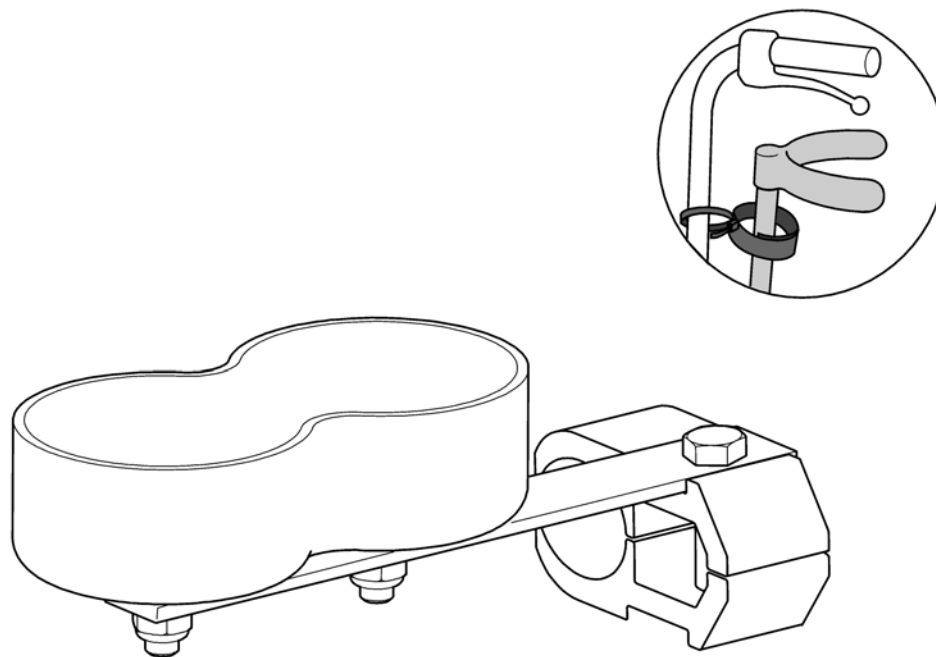


016/0106

Pos.	Part number	Description	Valid from → until	Qty
1	SP1570887	Colour kit blue		1
2	SP1570888	Colour kit silver		1
3	SP1570889	Colour kit red		1
4	SP1570890	Colour kit champagne		1
5	SP1570891	Colour kit petrol green		1

Crutch holder, Flex3 backrest

1

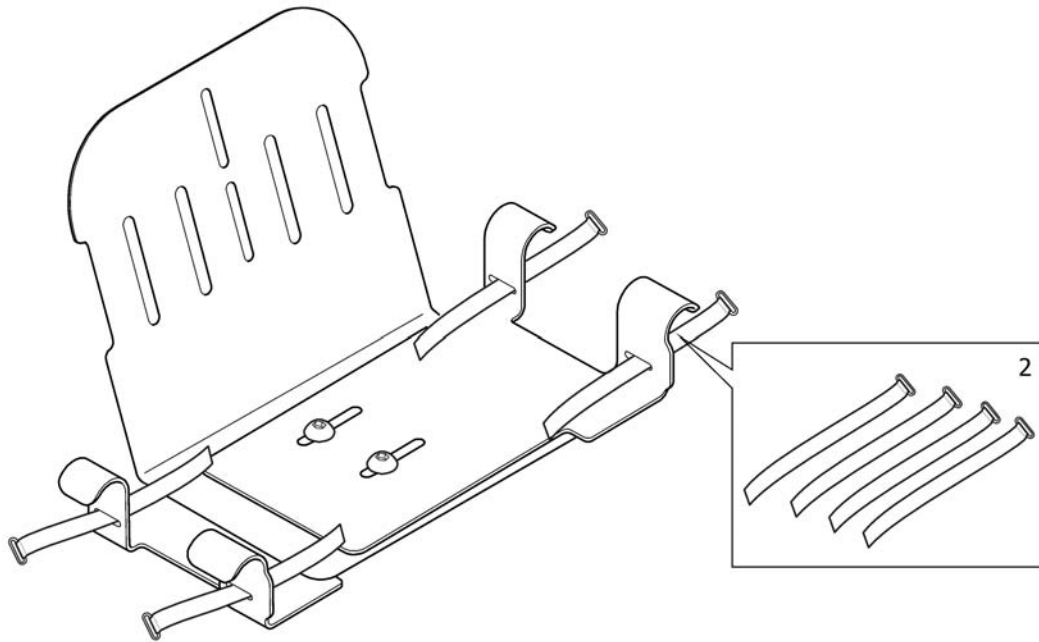


SP1560811

Pos.	Part number	Description	Valid from → until	Qty
1	SP1560811	Crutch holder		1

Accessory tray

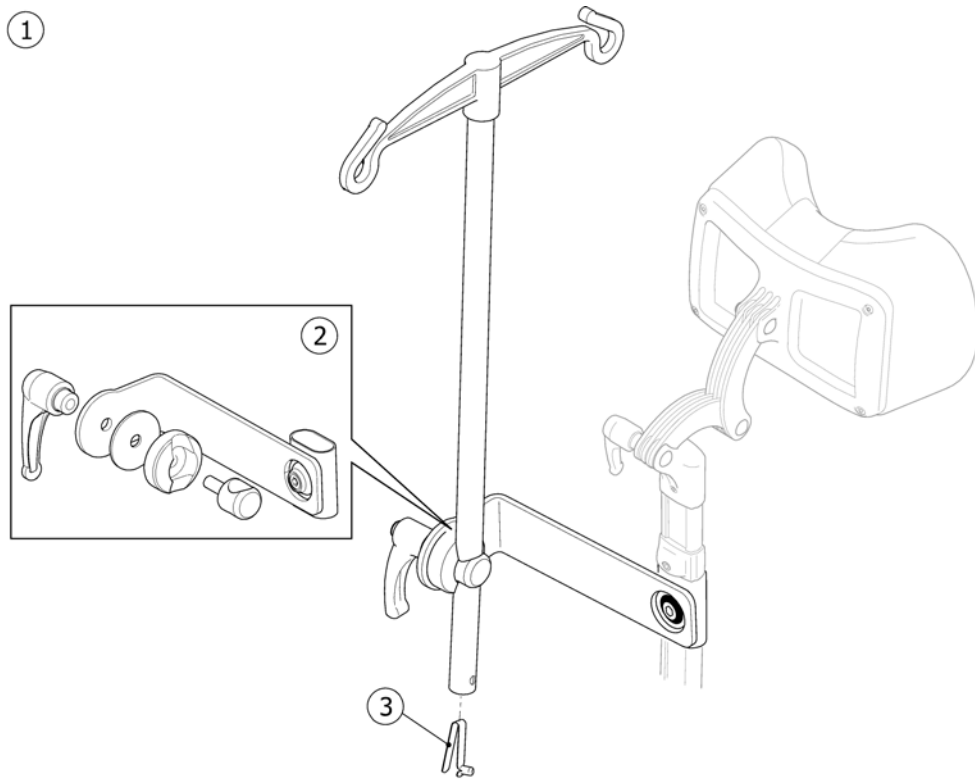
1



15P1570885

Pos.	Part number	Description	Valid from → until	Qty
1	SP1570885	ACCESSORY TRAY		1
2	SP1574885	STRAP, 4PCS, ACCESSORY TRAY		1

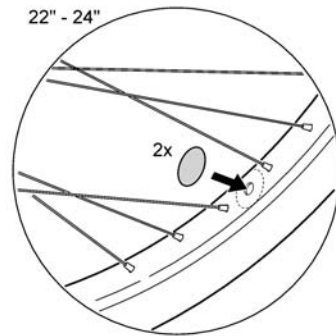
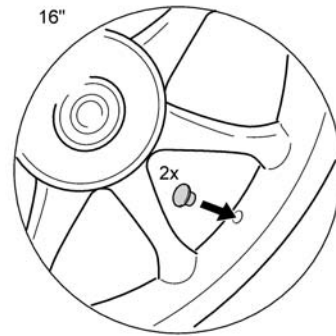
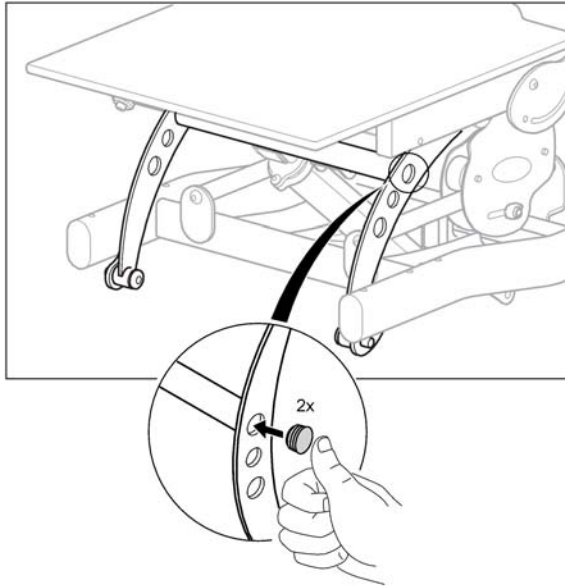
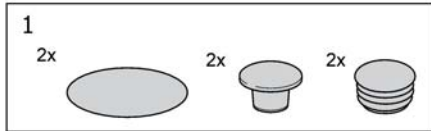
Dripstand



SPS1440897

Pos.	Part number	Description	Valid from → until	Qty
1	1440897	DRIPSTAND + FIXATION		1
2	1518781	ATTACHMENT, DRIP STAND		1
3	1560734	Snap button		1

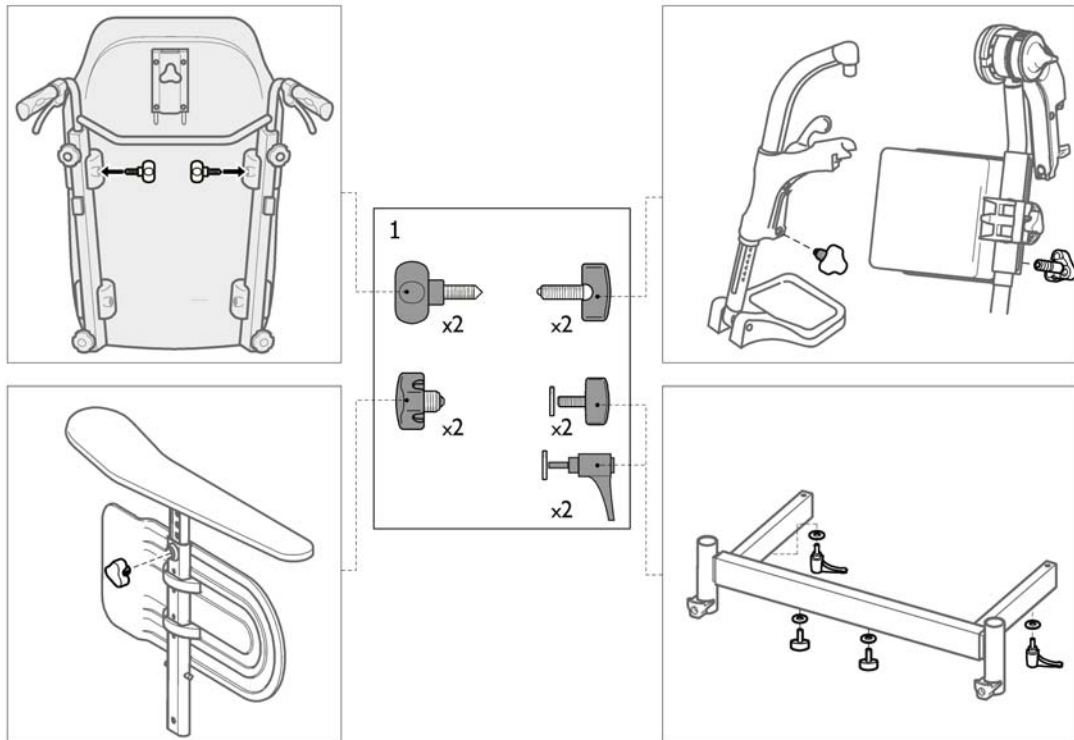
Wash sealing kit



SP1576680

Pos.	Part number	Description	Valid from → until	Qty
1	SP1576680	Wash sealing kit		1

Clinic kit



Pos.	Part number	Description	Valid from → until	Qty
1	SP1484457	CLINIC KIT, AZALEA/DAHLIA		1



Yes, you can.®



Belgium & Luxemburg:

Invacare nv, Autobaan 22, B-8210 Loppem
Tel: (32) (0)50 83 10 10, Fax: (32) (0)50 83 10 11
belgium@invacare.com / www.invacare.be

Denmark:

Invacare A/S, Sdr. Ringvej 37, DK-2605 Brøndby
Tel: (45) (0)36 90 00 00, Fax: (45) (0)36 90 00 01
denmark@invacare.com / www.invacare.dk

Deutschland:

Invacare Aquatec GmbH, Alemannenstraße 10, D-88316 Isny
Tel: (49) (0)75 62 7 00 0, Fax: (49) (0)75 62 7 00 66
info@invacare-aquatec.com / www.invacare-aquatec.de

European Distributor Organisation:

Invacare, Kleiststraße 49, D-32457 Porta Westfalica
Tel: (49) (0)57 31 754 540, Fax: (49) (0)57 31 754 541
edo@invacare.com / www.invacare.eu.com

España:

Invacare SA, c/Areny s/n, Polígon Industrial de Celrà, E-17460 Celrà (Girona)
Tel: (34) (0)972 49 32 00, Fax: (34) (0)972 49 32 20
contactsp@invacare.com / www.invacare.es

France:

Invacare Poirier SAS, Route de St Roch, F-37230 Fondettes
Tel: (33) (0)2 47 62 64 66, Fax: (33) (0)2 47 42 12 24
contactfr@invacare.com / www.invacare.fr

Ireland:

Invacare Ireland Ltd, Unit 5 Seatown Business Campus, Seatown Road, Swords, County Dublin - Ireland
Tel: (353) 1 810 7084, Fax: (353) 1 810 7085
ireland@invacare.com / www.invacare.ie

Italia:

Invacare Mecc San s.r.l., Via dei Pini 62, I-36016 Thiene (VI)
Tel: (39) 0445 38 00 59, Fax: (39) 0445 38 00 34
italia@invacare.com / www.invacare.it

Nederland:

Invacare BV, Celsiusstraat 46, NL-6716 BZ Ede
Tel: (31) (0)318 695 757, Fax: (31) (0)318 695 758
nederland@invacare.com, csede@invacare.com / www.invacare.nl

Norge:

Invacare AS, Grensesvingen 9, Postboks 6230, Etterstad, N-0603 Oslo
Tel: (47) (0)22 57 95 00, Fax: (47) (0)22 57 95 01
norway@invacare.com, island@invacare.com / www.invacare.no

Österreich:

Invacare Austria GmbH, Herzog Odilostrasse 101, A-5310 Mondsee
Tel: (43) 6232 5535 0, Fax: (43) 6232 5535 4
info-austria@invacare.com / www.invacare.at

Portugal:

Invacare Lda, Rua Estrada Velha, 949, P-4465-784 Leça do Balio
Tel: (351) (0)225 1059 46/47, Fax: (351) (0)225 1057 39
portugal@invacare.com / www.invacare.pt

Sverige & Suomi:

Invacare AB, Fagerstagatan 9, S-163 91 Spånåsa
Tel: (46) (0)8 761 70 90, Fax: (46) (0)8 761 81 08
sweden@invacare.com, finland@invacare.com / www.invacare.se

Switzerland:

Invacare AG, Benkenstrasse 260, CH-4108 Witterswil
Tel: (41) (0)61 487 70 80, Fax: (41) (0)61 487 70 81
switzerland@invacare.com / www.invacare.ch

United Kingdom:

Invacare Limited, Pencoed Technology Park, Pencoed, Bridgend CF35 5AQ
Switchboard Tel: (44) (0)1656 776200, Fax: (44) (0)1656 776201
Customer services Tel: (44) (0)1656 776222, Fax: (44) (0)1656 776220
uk@invacare.com / www.invacare.co.uk