

Spare Parts Catalogue

Version: 2023/10/02a EN



Rea® ***Clematis***® *Pro*



Yes, you can.[®]

General Information

For any order of spare parts the following information is required:

- Product type*
- Product name & model*
- Serial Number*
- Part-Number*
- Part-Description*

Exploded view drawings and code numbers are not contractual and subject to modification, in relation to Invacare[®] continuous product improvement policy to meet end users needs.

The reproduction or use of this work, or of any substantial part of this work, in any form or by any electronic, mechanical or other means, including photocopying, scanning and recording, and in any information storage and retrieval system, including electronic transmission, is forbidden without the prior written permission of Invacare[®] International Sarl.



Yes, you can.®

TABLE OF CONTENTS

Chassis

Fixed frame	5
Adjustable frame	6
Seat Plate	7
Seat and backrest tilt assistant man	8
Seat and backrest E-tilt	9
Rear wheel attachment	10

Seat

Seat Cushion, Matrix Contour Visco NG	11
Matrix LIBRA Cushion	12
Seat cushion, Mistral2	13
Seat cushion, Flosshape	14

Backrest

Backrest Frame	15
Rigid Plate and Soft Fabric Backrest	16
Backrest Laguna 2 tension adjustable	17
Backrest Cushion Laguna 2 Black TR26	18
Push handles	19

Legrests

Elevating Legrest Standard Complete (v2019) 2019.04.15=> ; (for UK, 2019.10.01=>)	20
Elevating Legrest Standard	21
Calf Pad	22

Footrests

Fixed Footrest	23
angle and depth adjustable Footrest	24
Footplate cover	25

Siderests

Armrest Standard pad	26
Armrest long Concave armpad	27
Armrest Hemi	28
Half table tray armrest	29
Armrest Attachment	30
Side Guard Cover	31

Front wheels

Fixed Forks and fork supports	32
Front Wheel	33

Rear wheels

Wheel 12"	34
Wheel 24" Standard	35



Yes, you can.®

TABLE OF CONTENTS

Wheel 24"Reinforced	36
Wheel 24"Hub-Brake	37
Spokeguard	38
Rear wheel attachment	10

Brakes

User Brake 24"	39
Drumbrake assistant manoeuvred	40
Footbrake	41
One Arm Brake	42

Safety Options

Posture Belt (v2022)	43
Anti-tip device	44
Reflectors =>2022-06-30	45
Transportation Brackrest	46

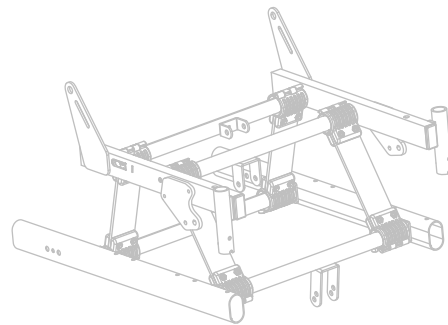
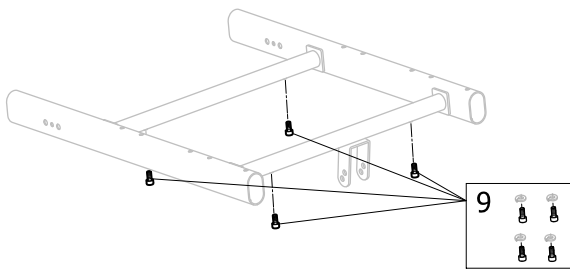
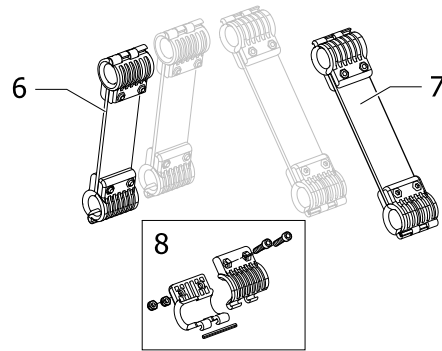
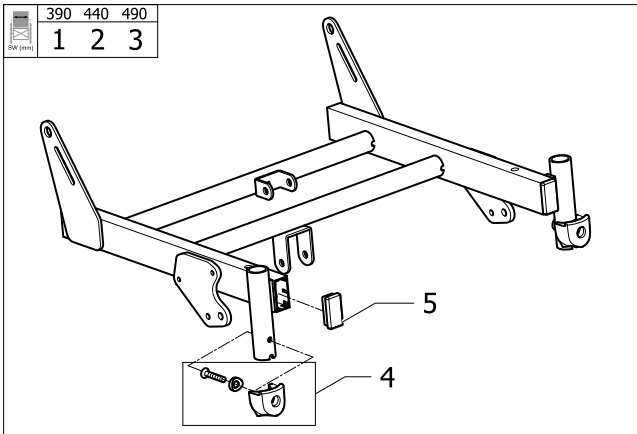
Seating Options

Headrest	47
Neckrest	48
Headrest with Cheek Support	49
Universal, Head-/Neckrest pole	50
Trunk support, Laguna2	51
Trunk support, Swingaway, Laguna2	52
Abduction Cushion	53

Others Options & Accessories

Dripstand	54
Table Tray	55
Table Tray with Elbow Pads	56
Half table tray armrest	29

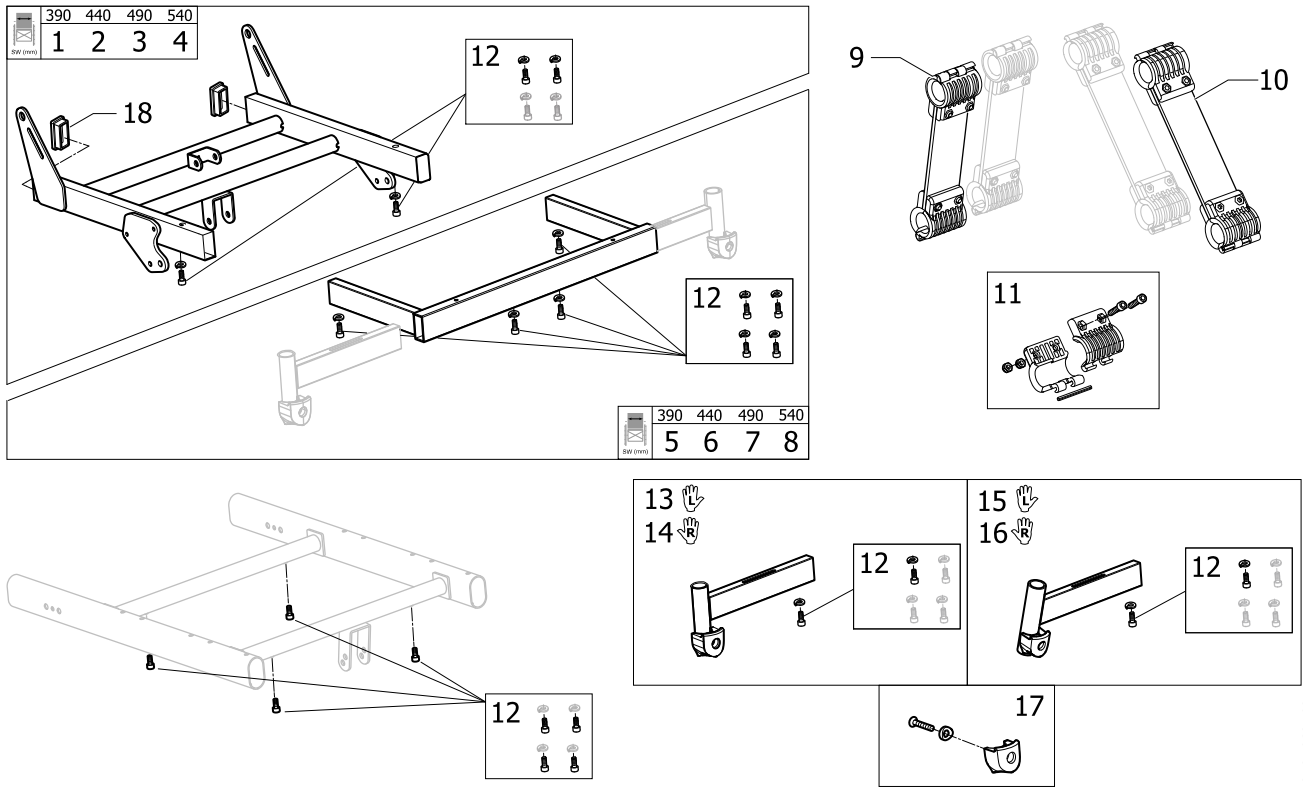
Fixed frame



ISP51662753

Pos.	Part number	Description	Valid from → until	Qty
1	SP1662831	Fixed seat frame cpl SW390mm		1
2	SP1662832	Fixed seat frame cpl SW440 mm		1
3	SP1662833	Fixed seat frame cpl SW490 mm		1
4	SP1584380	Kit, Hanger locked (v2015)		2
5	SP1439935	Plastic Cap Black Ir 20X40Mm		4
6	SP1665744	kit connection parts, short, between chassis and seat frame, unit		2
7	SP1665745	kit connection parts, Long, between chassis and seat frame, unit		2
8	SP1662834	Kit lever guide		8
9	SP1662835	Kit stopper screws & washers		1

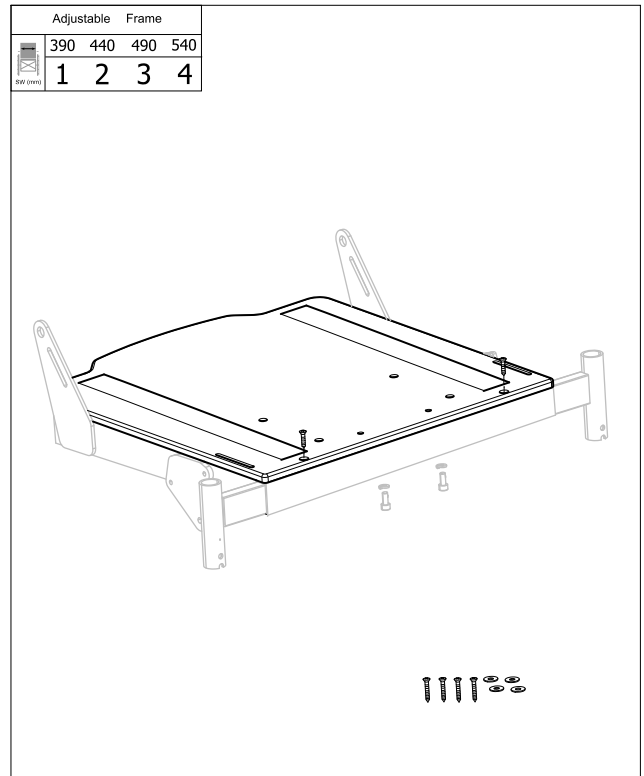
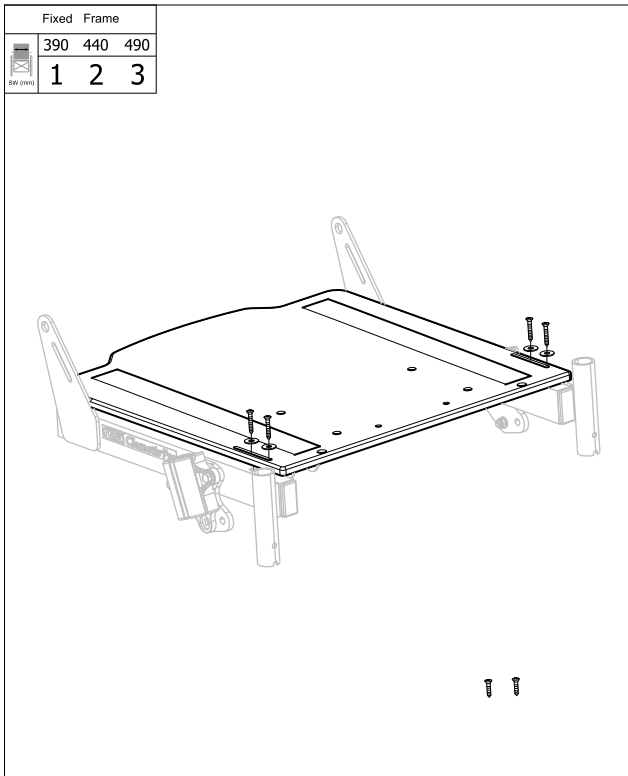
Adjustable frame



!SP51662760

Pos.	Part number	Description	Valid from → until	Qty
1	SP1662836	Adjustable Seat frame SW390mm, without legrest attachment		1
2	SP1662837	Adjustable Seat frame SW440mm, without legrest attachment		1
3	SP1662838	Adjustable Seat frame SW490mm, without legrest attachment		1
5	SP1665746	Kit legrest attachment, U shape, SW390 mm		1
6	SP1665747	Kit legrest attachment, U shape, SW440 mm		1
7	SP1665748	Kit legrest attachment, U shape, SW490 mm		1
9	SP1665744	kit connection parts, short, between chassis and seat frame, unit		2
10	SP1665745	kit connection parts, Long, between chassis and seat frame, unit		2
11	SP1662834	Kit lever guide		8
12	SP1662835	Kit stopper screws & washers		1
13	SP60109526	Legrest support, Left, L shape		1
14	SP60109527	Legrest support, Right, L shape		1
15	SP1656862	Legrest attachment 90° for angle adjustable legrest, Long, Left		1
16	SP1656863	Legrest attachment 90° for angle adjustable legrest, Long, Right		1
17	SP1584380	Kit, Hanger locked (v2015)		2
18	SP1439935	Plastic Cap Black Ir 20X40Mm		2

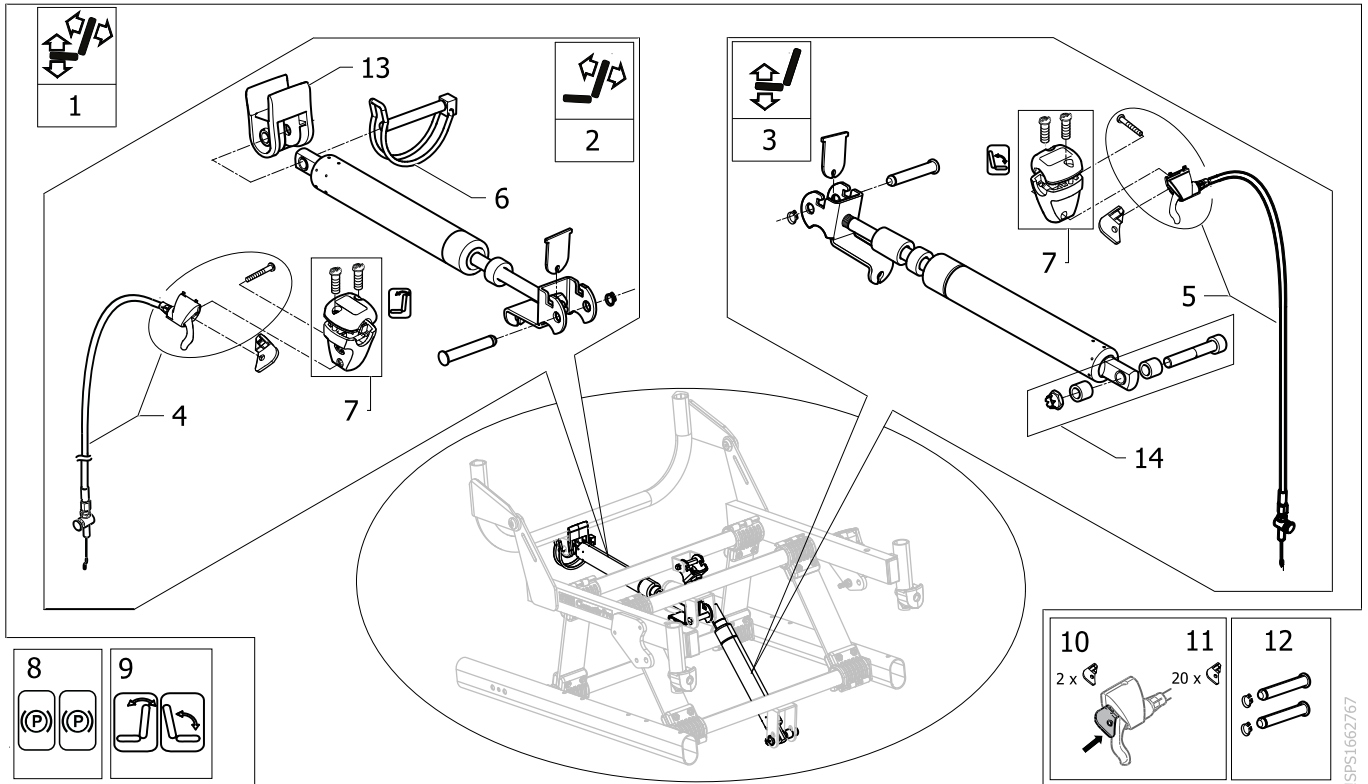
Seat Plate



!SPS1662763

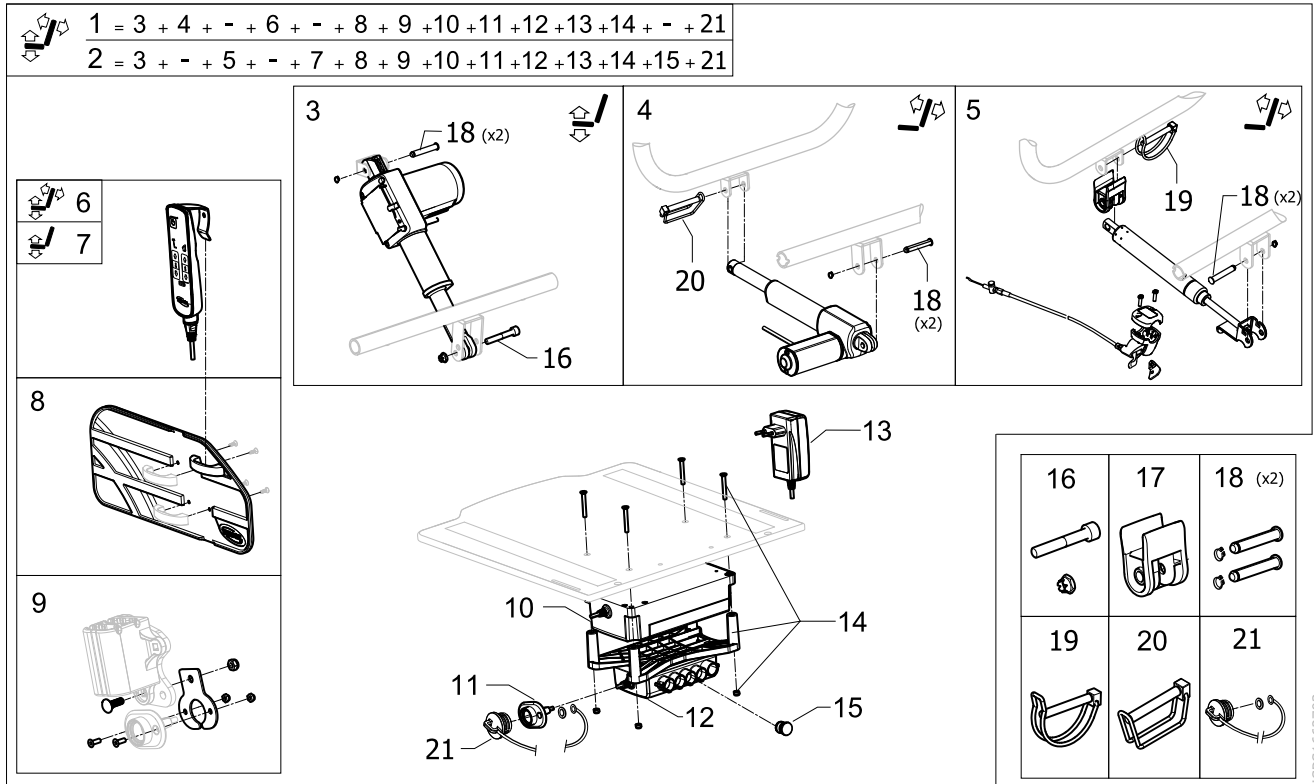
Pos.	Part number	Description	Valid from → until	Qty
1	SP1662839	kit Seat plate SW390mm and fasteners		1
2	SP1662840	kit Seat plate SW440mm and fasteners		1
3	SP1662841	kit Seat plate SW490mm and fasteners		1

Seat and backrest tilt assistant man



ISPS1662767

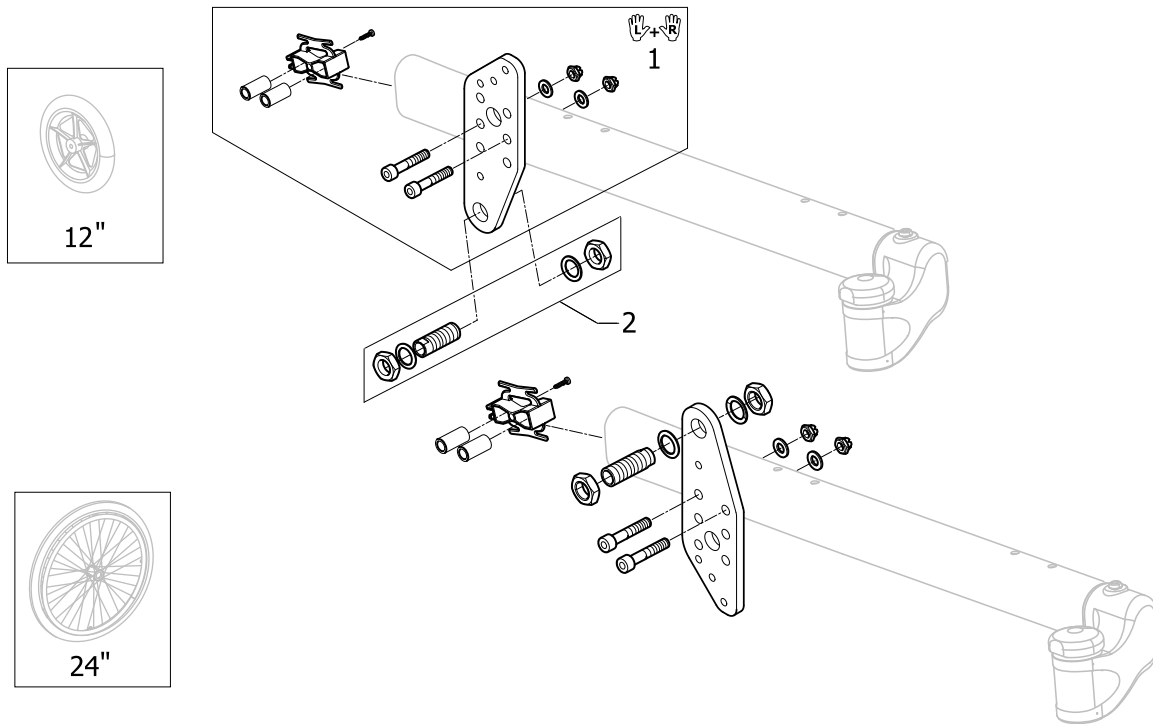
Pos.	Part number	Description	Valid from → until	Qty
1	SP1662807	kit, assistant man. backrest and seat tilt, cpl		1
2	SP1662808	Kit, assistant man. backrest tilt		1
3	SP1662809	Kit, assistant man. seat tilt		1
4	1536330	CABLE ASSY 1363, LH, TILT, INCL. SCREW		1
5	1536327	CABLE ASSY 1363, RH, TILT, INCL. SCREW		1
6	1439936	PIN WITH LOOP 8X60		2
7	1527287	Housing Cpl, Tilt		2
8	1536764	DECAL, CABLE ASSEMBLY, BRAKE		1
9	1536373	DECAL, CABLE ASSEMBLY, TILT		1
10	SP1654988	Tilt Lock Kit		1
11	SP1659980	Kit of 20 tilt locks		1
12	SP1605221	PIN KIT, PAIR		1
13	SP60110256	Gaspring guide		1
14	SP1665749	Kit fixing for gas spring		1



ISPS1662703

Pos.	Part number	Description	Valid from → until	Qty
1	SP1662812	Kit, power seat and backrest tilt cpl		1
2	SP1662813	Kit, power seat tilt and manual backrest recline, cpl		1
3	SP1665795	Kit actuator, seat tilt		1
4	SP1665796	Kit actuator, backrest recline		1
5	SP1662808	Kit, assistant man. backrest tilt		1
6	SP60123919	hand control for seat and backrest E-Tilt		1
7	SP60124169	hand control for seat E-Tilt		1
9	SP1662810	kit attachment for plug		1
10	SP60123921	Back up Power box		1
11	SP60123922	plug with Y cable for power input		1
12	SP60123916	Control Box		1
13	SP60123920	Power Supply		1
14	SP1662811	Kit fixation Battery and control box		1
15	SP60124277	Seal cap for control box		1
16	SP1665798	screw and nut		1
17	SP60110256	Gasspring guide		1
18	SP1605221	PIN KIT, PAIR		1
19	1439936	PIN WITH LOOP 8X60		1

Rear wheel attachment



ISPS1662746

Pos.	Part number	Description	Valid from → until	Qty
1	SP1671263	Rear Wheel fixation kit assy Clématis Pro, pair <i>Replace SP1662858</i>		1
2	SP1662859	Kit rear wheel axle housing cpl		2

Seat Cushion, Matrix Contour Visco NG

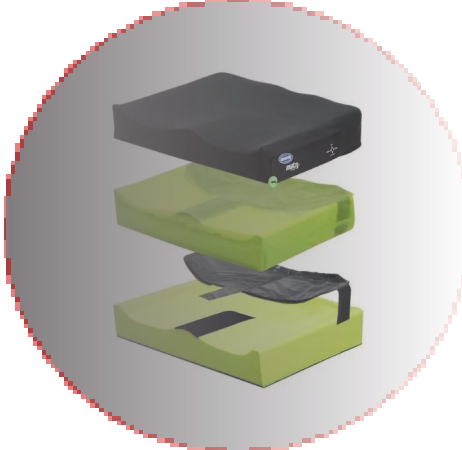
SW (mm)	
Azalea, Dahlia	
390	2
390 +50	2
390 +100	3
440	3
440 +50	3
440 +100	4
490	4
490 +50	4
490 +100	4
Clematis	
390	1
440	2
490	3
Clematis Pro	
390	2
440	3
490	4
540	5




ISPS1667812

Pos.	Part number	Description	Valid from → until	Qty
1	1632369	Cushion Matrix Contour Visco NG 355(W) x 530(D)mm <i>Replace 1501120</i>		1
2	1632370	Cushion Matrix Contour Visco NG 405(W) x 530(D)mm <i>Replace 1501121</i>		1
3	1632371	Cushion Matrix Contour Visco NG 455(W) x 530(D)mm <i>Replace 1501122</i>		1
4	1632372	Cushion Matrix Contour Visco NG 505(W) x 530(D)mm <i>Replace 1501123</i>		1

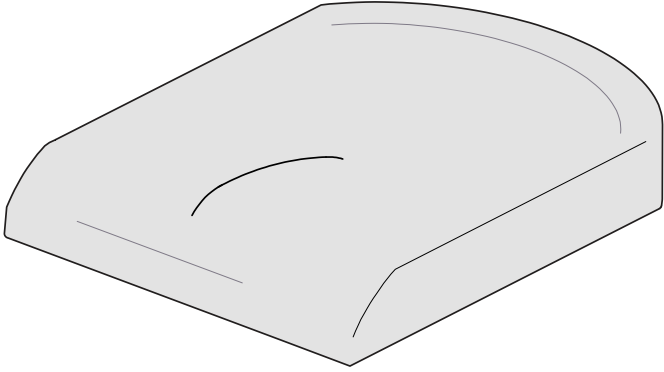
Matrx LIBRA Cushion

SW (mm)		
Clematis Pro		
390	1	
390 +50	2	
390 +100	3	
440	2	
440 +50	3	
440 +100	-	
490	4	
490 +50	-	
490 +100	-	



ISPS1667812


Pos.	Part number	Description	Valid from → until	Qty
1	LC1616	Matrx Libra cushions 410x410 mm <i>[SN_0400/SN_0450]</i>		1
2	LC1618	Matrx Libra cushions 410x460 mm <i>[SN_0400/SN_0455]</i>		1
3	LC1816	Matrx Libra cushions 460x410 mm <i>[SN_0400/SN_0450]</i>		1
4	LC1818	Matrx Libra cushions 460x460 mm <i>[SN_0400/SN_0455]</i>		1
5	LC2016	Matrx Libra cushions 510x410 mm		1
6	LC2018	Matrx Libra cushions 510x460 mm		1


SW (mm)	TR26	SW (mm)	TR26
Azalea		Clematis Pro	
390	1	390	2
440	2	440	3
490	3	490	4
Dahlia		540	
TR26		5	
390	1		
390 +50	2		
390 +100	3		
440	2		
440 +50	3		
440 +100	4		
490	3		
490 +50	4		
490 +100	4		
Clematis			
TR26			
390	1		
440	2		
490	3		

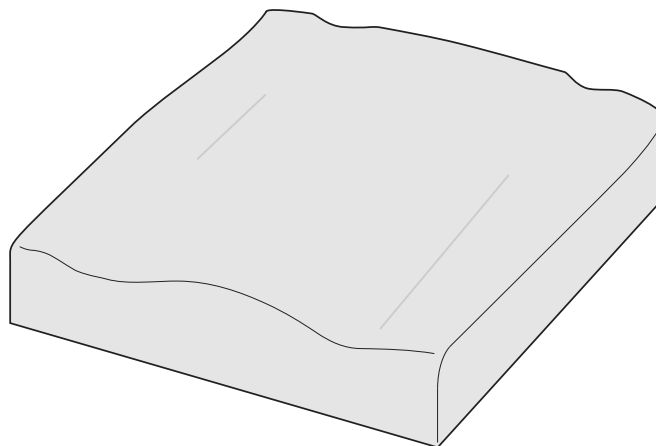
ISPS1571649

Pos.	Part number	Description	Valid from → until	Qty
1	SP1435856-TR26	Seat cushion 365x490 mm, MISTRAL 2-LAYER, Black cover TR26		1
2	SP1435857-TR26	Seat cushion 415x490mm, Mistral 2-Layer, Black cover TR26		1
3	SP1435858-TR26	Seat cushion 465x490mm, Mistral 2-Layer, Black cover TR26		1
4	1435859-TR26	Seat cushion 515x490mm, Mistral 2-Layer, Black cover TR26		1

Seat cushion, Floshape

 SW (mm)	TR26	TR35	TR36
Azalea			
340	1	2	3
340 +50	1	2	-
340 +100	1	2	-
390	4	5	6
390 +50	4	5	6
390 +100	7	8	9
440	7	8	9
440 +50	7	8	9
440 +100	10	11	12
490	10	11	12
490 +50	10	11	12
490 +100	10	11	12
Clematis			
390	13	14	
440	4	5	
490	7	8	

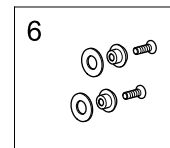
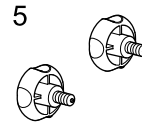
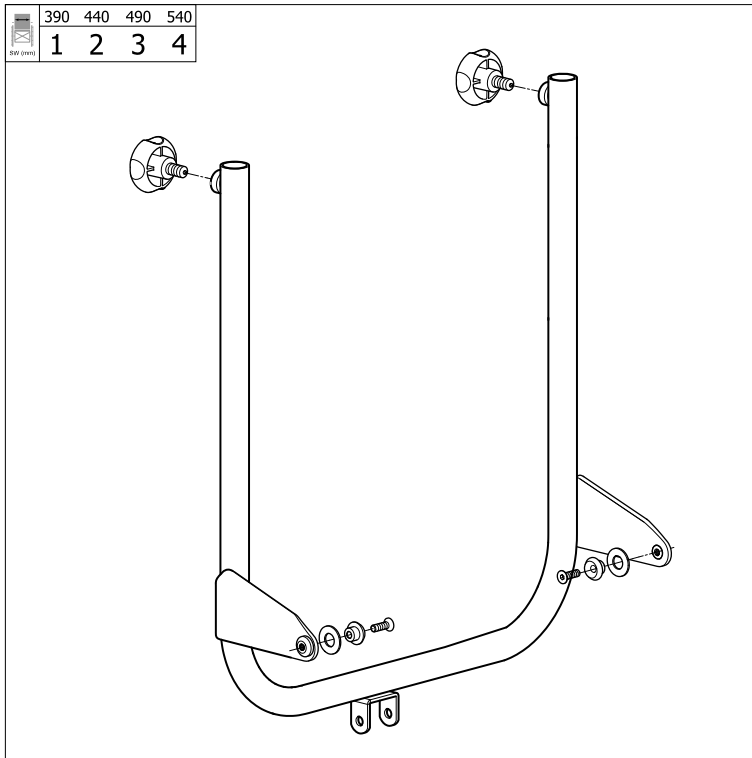
 SW (mm)	TR26	TR35	TR36
Dahlia			
390	4	5	6
390 +50	4	5	6
390 +100	7	8	9
440	7	8	9
440 +50	7	8	9
440 +100	10	11	12
490	10	11	12
490 +50	10	11	12
490 +100	10	11	12
Clematis Pro			
390	4		
440	7		
490	10		



ISPS1651023

Pos.	Part number	Description	Valid from → until	Qty
1	1509920-TR26	SEATCUSHION, FLOSHAPE, 355X450, BLACK COVER TR26		1
2	1509920-TR35	SEATCUSHION, FLOSHAPE, 355X450, PLUSH BLACK		1
3	SP1509920-TR36	SEAT CUSHION, FLOSHAPE, 355X450, SPACER BLACK		1
4	1508055-TR26	SEAT CUSHION 405X535, FLOSHAPE, BLACK COVER TR26		1
5	1508055-TR35	SEAT CUSHION 405X535, FLOSHAPE, PLUSH BLACK		1
6	SP1508055-TR36	SEAT CUSHION, FLOSHAPE, 405X535, SPACER BLACK		1
7	1508057-TR26	SEAT CUSHION 455X535, FLOSHAPE, BLACK COVER TR26		1
8	1508057-TR35	SEAT CUSHION 455X535, FLOSHAPE, PLUSH BLACK		1
9	SP1508057-TR36	SEAT CUSHION, FLOSHAPE, 455X535, SPACER BLACK		1
10	1508059-TR26	SEAT CUSHION 505X535, FLOSHAPE, BLACK COVER TR26		1
11	1508059-TR35	SEAT CUSHION 505X535, FLOSHAPE, PLUSH BLACK		1
12	SP1508059-TR36	SEAT CUSHION, FLOSHAPE, 505X535, SPACER BLACK		1
13	1508053-TR26	SEATCUSHION, FLOSHAPE, 355x535 mm, BLACK COVER TR26		1
14	1508053-TR35	SEATCUSHION, FLOSHAPE, 355x535, PLUSH BLACK		1

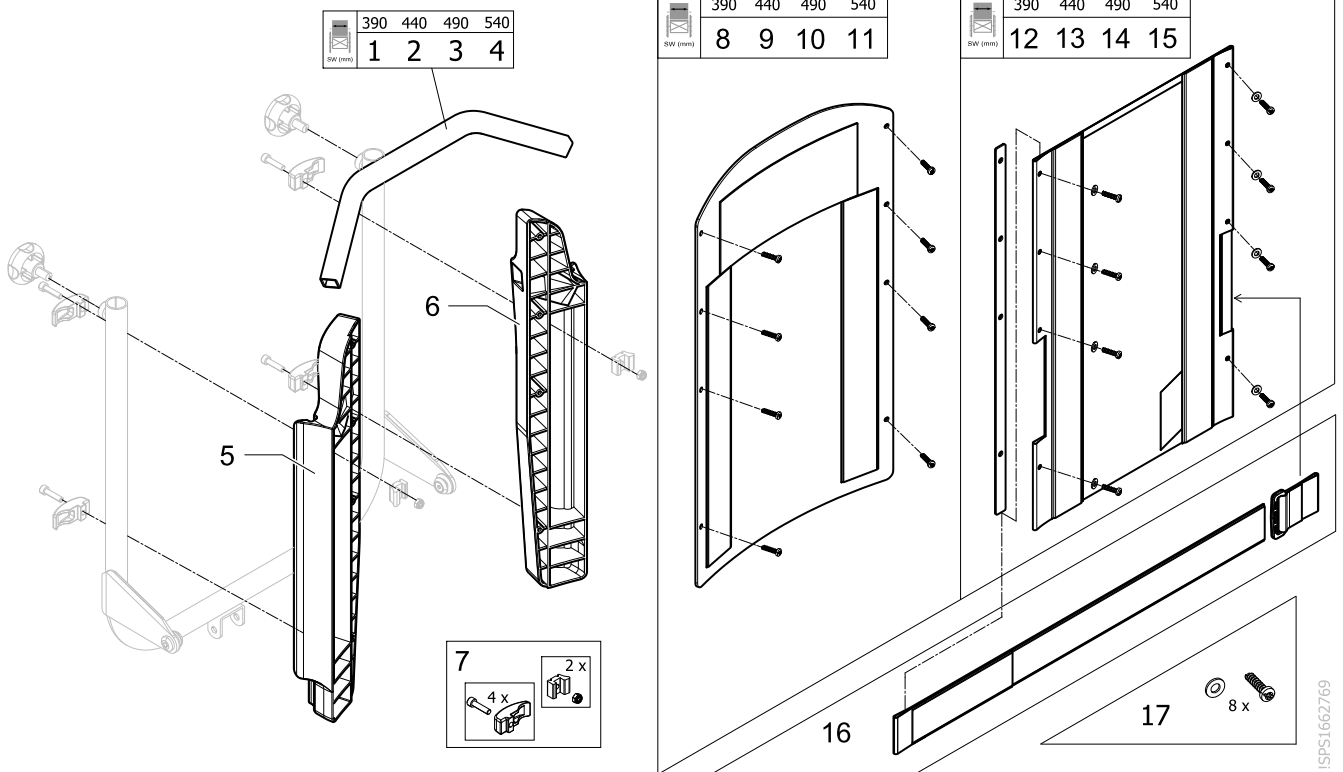
Backrest Frame



ISPS1662761

Pos.	Part number	Description	Valid from → until	Qty
1	SP1662842	Backrest frame SW390 mm		1
2	SP1662843	Backrest frame SW440 mm		1
3	SP1662844	Backrest frame SW490 mm		1
5	SP1518478	Handwheel M10, pair		1
6	SP1579941	Screw kit, backrest stay		1

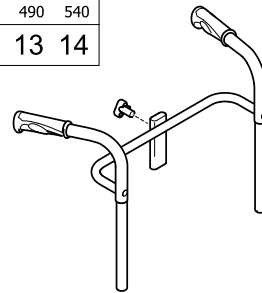
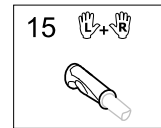
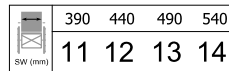
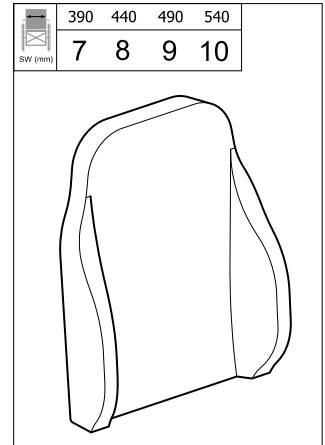
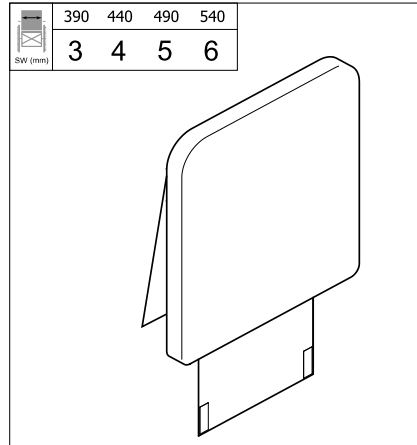
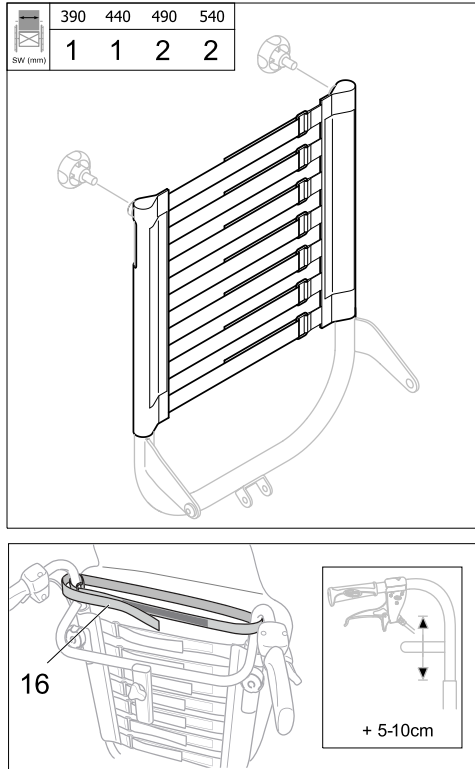
Rigid Plate and Soft Fabric Backrest



ISPS1662769

Pos.	Part number	Description	Valid from → until	Qty
1	SP60109431-0509	backrest tube for headrest support, SW390mm		1
2	SP60109433-0509	backrest tube for headrest support, SW440mm		1
3	SP60109435-0509	backrest tube for headrest support, SW490mm		1
5	SP60108232	Backrest adaptator Rh		1
6	SP60108231	Backrest adaptator Lh		1
7	SP1662849	fixing kit for backrest adaptators		1
8	SP1662850	Backrest plate SW390mm		1
9	SP1662851	Backrest plate SW440mm		1
10	SP1662852	Backrest plate SW490mm		1
12	SP1662853	Kit soft fabric backrest cover SW390mm with fasteners		1
13	SP1662854	Kit soft fabric backrest cover SW440mm with fasteners		1
14	SP1662855	Kit soft fabric backrest cover SW490mm with fasteners		1
16	SP60121916	Tension adjustable strap for soft backrest		1
17	SP1662856	Kit fasteners		1

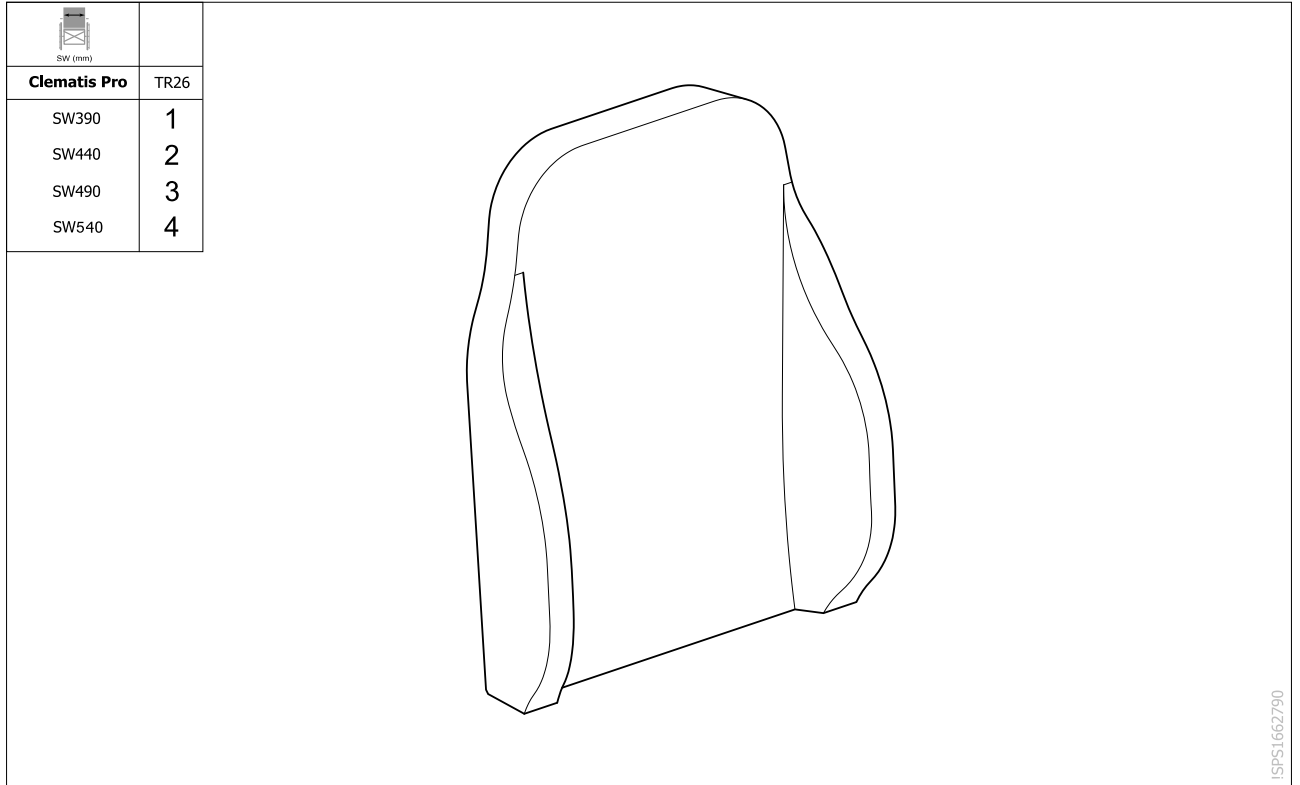
Backrest Laguna 2 tension adjustable



ISPS1662792

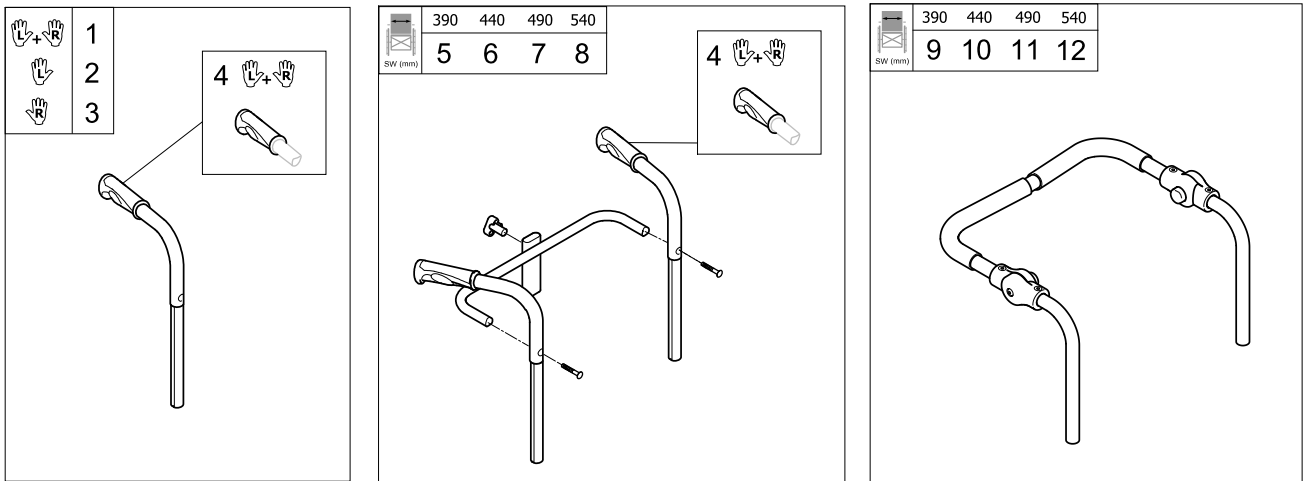
Pos.	Part number	Description	Valid from → until	Qty
1	SP1574068	BACKREST BODY 390-440, TENSION ADJ.		1
2	SP1574069	BACKREST BODY 490-540, TENSION ADJ.		1
3	SP1590025-TR26	COVER LATERAL LOW 425X430, TR26 BLACK		1
5	SP1590072-TR26	COVER LATERAL LOW 525X430, TR26 BLACK		1
6	SP1590073-TR26	COVER LATERAL LOW 575X430, TR26 BLACK		1
7	SP60121320-TR26	Back cushion laguna 404x550mm SW390m		1
8	SP60121321-TR26	Back cushion laguna 454x550mm SW440mm SW490mm		1
9	SP60125693-TR26	Back cushion Laguna 492x550mm SW490mm		1
11	SP1572531	PUSH HANDLES 390, FIXED CPL. (FOR NECK- AND HEADREST)		1
12	SP1572574	PUSH HANDLES 440, FIXED CPL. (FOR NECK- AND HEADREST)		1
13	SP1572575	PUSH HANDLES 490, FIXED CPL. (FOR NECK- AND HEADREST)		1
14	SP1572576	PUSH HANDLES 540, FIXED CPL. (FOR NECK- AND HEADREST)		1
15	SP1537634	HANDLE 22MM, PAIR		1
16	SP1574804	SUPPORT STRAP 390-540, ADJ. BACKREST		1

Backrest Cushion Laguna 2 Black TR26



Pos.	Part number	Description	Valid from → until	Qty
1	SP60121320-TR26	Back cushion laguna 404x550mm SW390m		1
2	SP60121321-TR26	Back cushion laguna 454x550mm SW440mm SW490mm		1
3	SP60125693-TR26	Back cushion Laguna 492x550mm SW490mm		1

Push handles



ISPS1662762

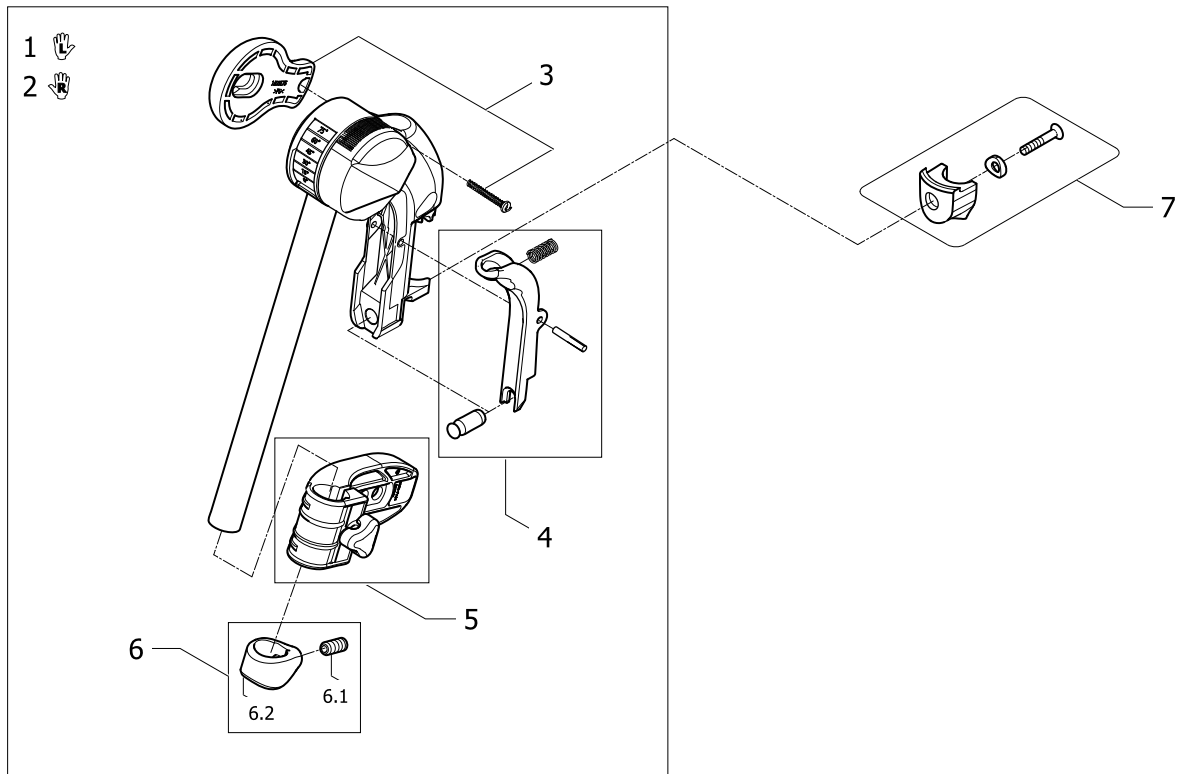
Pos.	Part number	Description	Valid from → until	Qty
1	SP1572734	PUSH HANDLE CPL., PAIR		1
2	1518504	PUSH HANDLE, LEFT, CPL, LAGUNA 2 CL		1
3	1518503	PUSH HANDLE, RIGHT, CPL, LAGUNA 2 CL		1
4	SP1537634	HANDLE 22MM, PAIR		1
5	SP1572531	PUSH HANDLES 390, FIXED CPL. (FOR NECK- AND HEADREST)		1
6	SP1572574	PUSH HANDLES 440, FIXED CPL. (FOR NECK- AND HEADREST)		1
7	SP1572575	PUSH HANDLES 490, FIXED CPL. (FOR NECK- AND HEADREST)		1
8	SP1572576	PUSH HANDLES 540, FIXED CPL. (FOR NECK- AND HEADREST)		1
9	SP1563967	PUSHBAR ADJ. 390		1
10	SP1564551	PUSHBAR ADJ. 440		1
11	SP1564552	PUSHBAR ADJ. 490		1
12	SP1572580	PUSHBAR ADJ. 540		1

Elevating Legrest Standard Complete (v2019) 2019.04.15=> ; (for UK, 2019.10.01=>)

Extension	Azalea & Dahlia		Clematis Pro		Clematis			
	L	R	L	R	Clematis		Clematis	
					L	R	L	R
SW340	3	4	-	-	-	-	-	-
SW340 + 50mm	3	4	-	-	-	-	-	-
SW340 +100mm	5	6	-	-	-	-	-	-
SW390	3	4	3	4	1	2	3	4
SW390 + 50mm	5	6	-	-	-	-	-	-
SW390 +100mm	7	8	-	-	-	-	-	-
SW440	5	6	5	6	3	4	5	6
SW440 + 50mm	7	8	-	-	-	-	-	-
SW440 +100mm	7	8	-	-	-	-	-	-
SW490	7	8	7	8	5	6	7	8
SW490 + 50mm	7	8	-	-	-	-	-	-
SW490 +100mm	7	8	-	-	-	-	-	-
SW540	-	-	7	8	-	-	-	-
SW540 + 50mm	-	-	-	-	-	-	-	-
SW540 +100mm	-	-	-	-	-	-	-	-

ISPS1671231

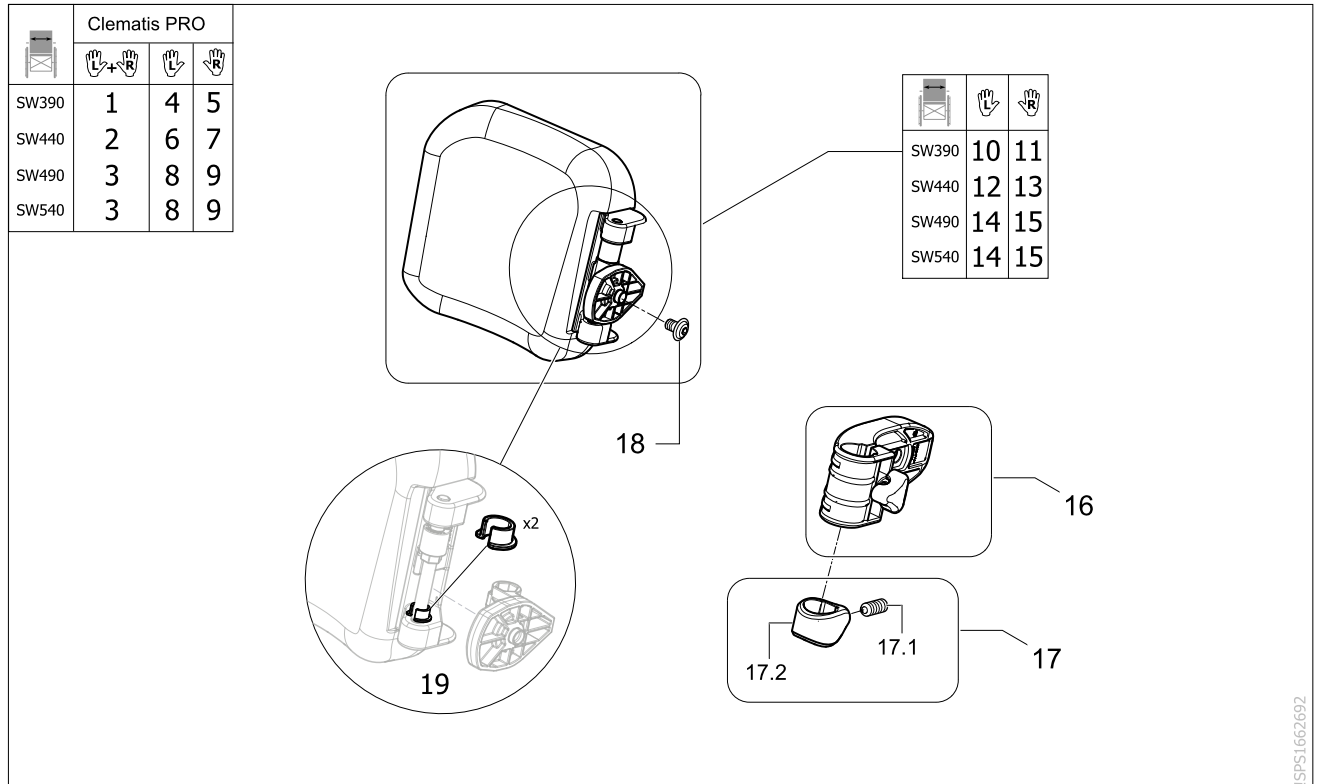
Pos.	Part number	Description	Valid from → until	Qty
1	SP1671232	Elevating legrest Lh + Calfpad 120mm (v2019)		1
2	SP1671233	Elevating legrest Rh + Calfpad 120mm (v2019)		1
3	SP1671234	Elevating legrest Lh + Calfpad 145mm (v2019) <i>Replace 1524984 (only for Azalea, Dahlia)</i>		1
4	SP1671238	Elevating legrest Rh + Calfpad 145mm (v2019) <i>Replace 1524985 (only for Azalea, Dahlia)</i>		1
5	SP1671239	Elevating legrest Lh + Calfpad 170mm (v2019) <i>Replace 1524986 (only for Azalea, Dahlia)</i>		1
6	SP1671240	Elevating legrest Rh + Calfpad 170mm (v2019) <i>Replace 1524987 (only for Azalea, Dahlia)</i>		1
7	SP1671241	Elevating legrest Lh + Calfpad 195mm (v2019) <i>Replace 1524988 (only for Azalea, Dahlia)</i>		1
8	SP1671242	Elevating legrest Rh + Calfpad 195mm (v2019) <i>Replace 1524989 (only for Azalea, Dahlia)</i>		1
9	SP1656824	Kit hanger locked Passif (unit)		2
10	SP1584380	Kit, Hanger locked (v2015)		2



ISP51665800

Pos.	Part number	Description	Valid from → until	Qty
1	SP60122669	Elevating Legrest Lh		1
2	SP60122670	Elevating Legrest Rh		1
3	SP1660743	Kneepad Kit Thick foam		2
4	SP1656820	Legrest Trigger Kit		2
5	SP1602709	Bracket assembly Calfpad Kit		2
6	SP1651847	Bridle Setting kit		2
6.1	1424571	Screw Stop M10X23 (Unit)		2
6.2	SP1605203	Screwsocket Legrest kit		2
7	SP1584380	Kit, Hanger locked (v2015)		2

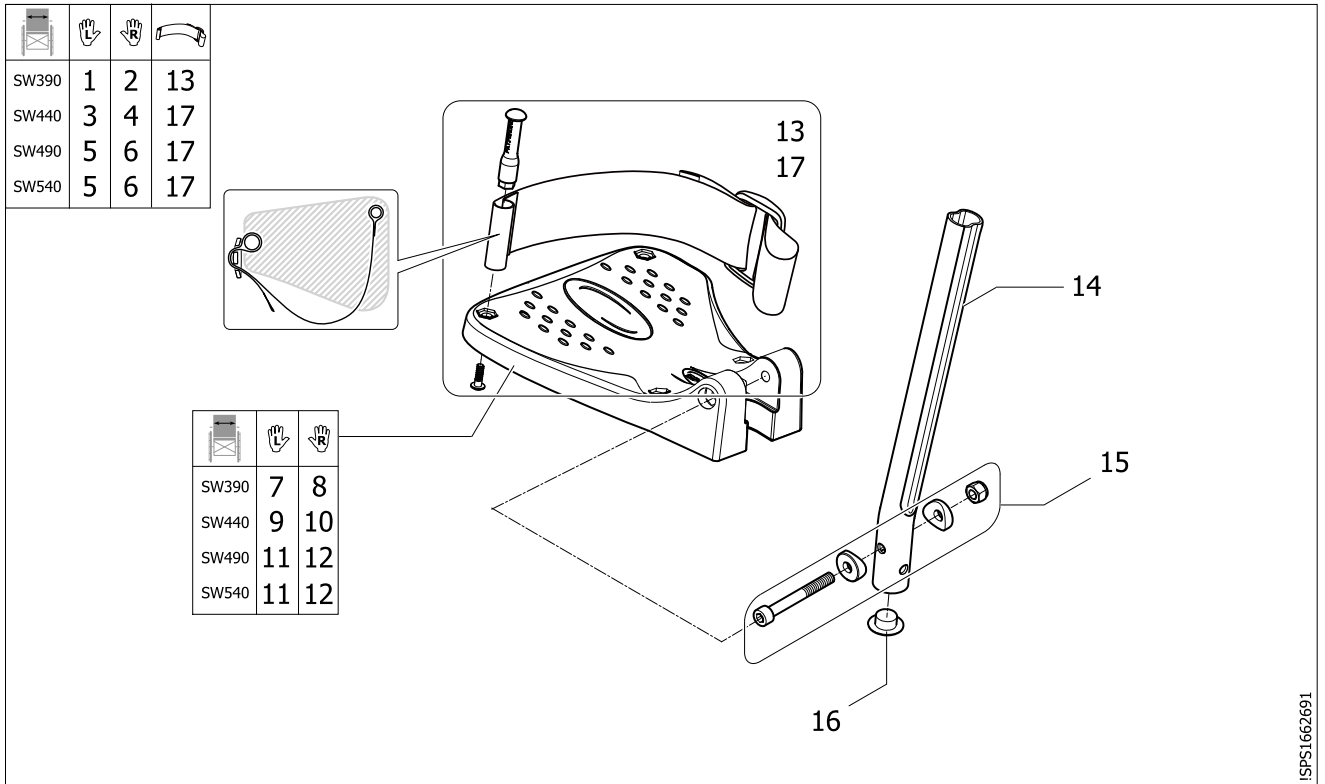
Calf Pad



ISPS1662692

Pos.	Part number	Description	Valid from → until	Qty
1	SP1651928	Pair of Calfpad cplt 145 cpl		1
2	SP1651929	Pair of Calfpad cplt 170 cpl		1
3	SP1651937	Pair of Calfpad cplt 195 cpl		1
4	SP1605192	Calfpad and Bracket cplt 145 Left		1
5	SP1605013	Calfpad and Bracket cplt 145 Right		1
6	SP1605195	Calfpad and Bracket cplt 170 Left		1
7	SP1605193	Calfpad and Bracket cplt 170 Right		1
8	SP1605199	Calfpad and Bracket cplt 195 Left		1
9	SP1605198	Calfpad and Bracket cplt 195 Right		1
10	SP1605831	Linkplate, Calfpad 145 Left		1
11	SP1603256	Linkplate, Calfpad 145 Right		1
12	SP1605832	Linkplate, Calfpad 170 Left		1
13	SP1605829	Linkplate, Calfpad 170 Right		1
14	SP1605833	Linkplate, Calfpad 195 Left		1
15	SP1605834	Linkplate, Calfpad 195 Right		1
16	SP1602709	Bracket assembly Calfpad Kit		2
17	SP1651847	Bridle Setting kit		2
17.1	1424571	Screw Stop M10X23 (Unit)		2
17.2	SP1605203	Screwsocket Legrest kit		2
18	SP1647254	Screw M8x12 Black		2
19	SP1671467	Spacer ring for locking calfpad (pair)	01.12.2021 →	1

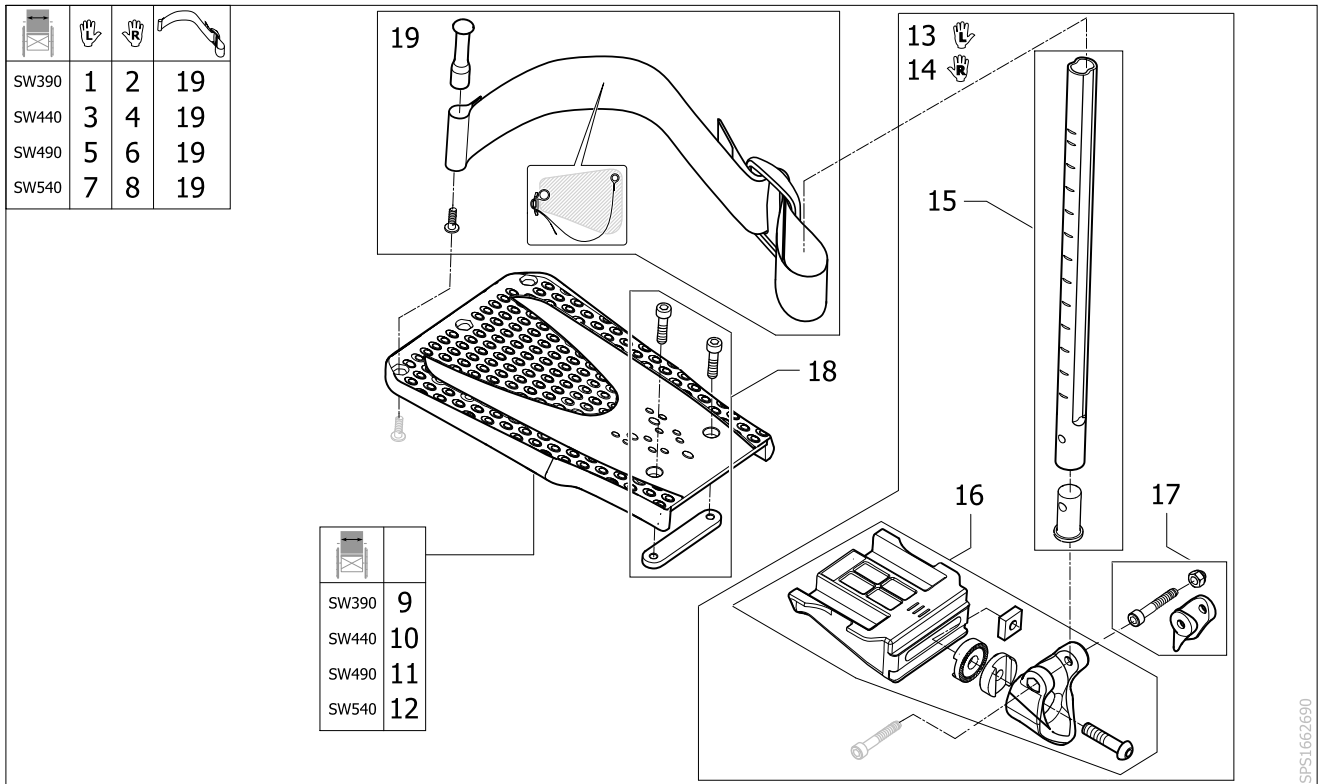
Fixed Footrest



ISPS1692691

Pos.	Part number	Description	Valid from → until	Qty
1	SP1655396	Footrest fixed,Lh,SW340-390 mm,long tube		1
2	SP1655408	Footrest fixed,Rh,SW340-390 mm,long tube		1
3	SP1655398	Footrest fixed,Lh, SW440mm,long tube		1
4	SP1655410	Footrest fixed,Rh, SW440mm, long tube		1
5	SP1655401	Footrest fixed,Lh,SW490-590mm, long tube		1
6	SP1655413	Footrest fixed,Rh, SW490-590mm, long tube		1
7	1529645	Footplate fixed, LH, 199mm		1
8	1529644	Footplate fixed, RH, 199mm		1
9	1529647	Footplate fixed, LH, 224mm		1
10	1529646	Footplate fixed, RH, 224mm		1
11	1428374	Footplate fixed, LH, 248mm		1
12	1428375	Footplate fixed, RH, 248mm		1
13	SP1672328	Heel strap and fixation kit (length 490mm) (v2022) <i>Replaces 0587-05201 / 1492315 / 1437834</i>		2
14	1434563-0010	Footrest Tube, Long		2
15	1430433	Screw Kit, Footrest Fixed		2
16	1424576	Plastic cap black Ø20mm		2
17	SP1672696	Heel strap XXL and fixation kit (length 640mm) (v2022) <i>Replaces 0587-05201 / 1492315 / 1437834</i>		2

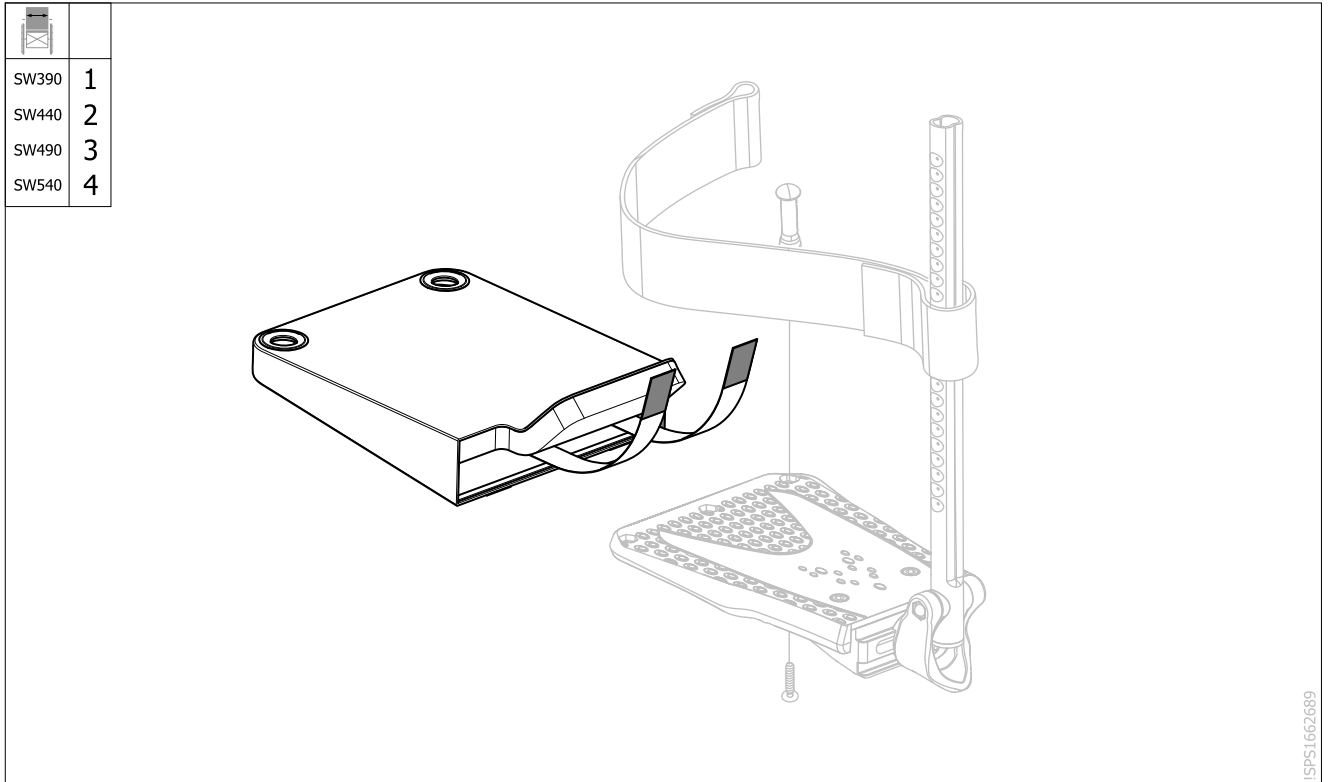
angle and depth adjustable Footrest



SPS1662690

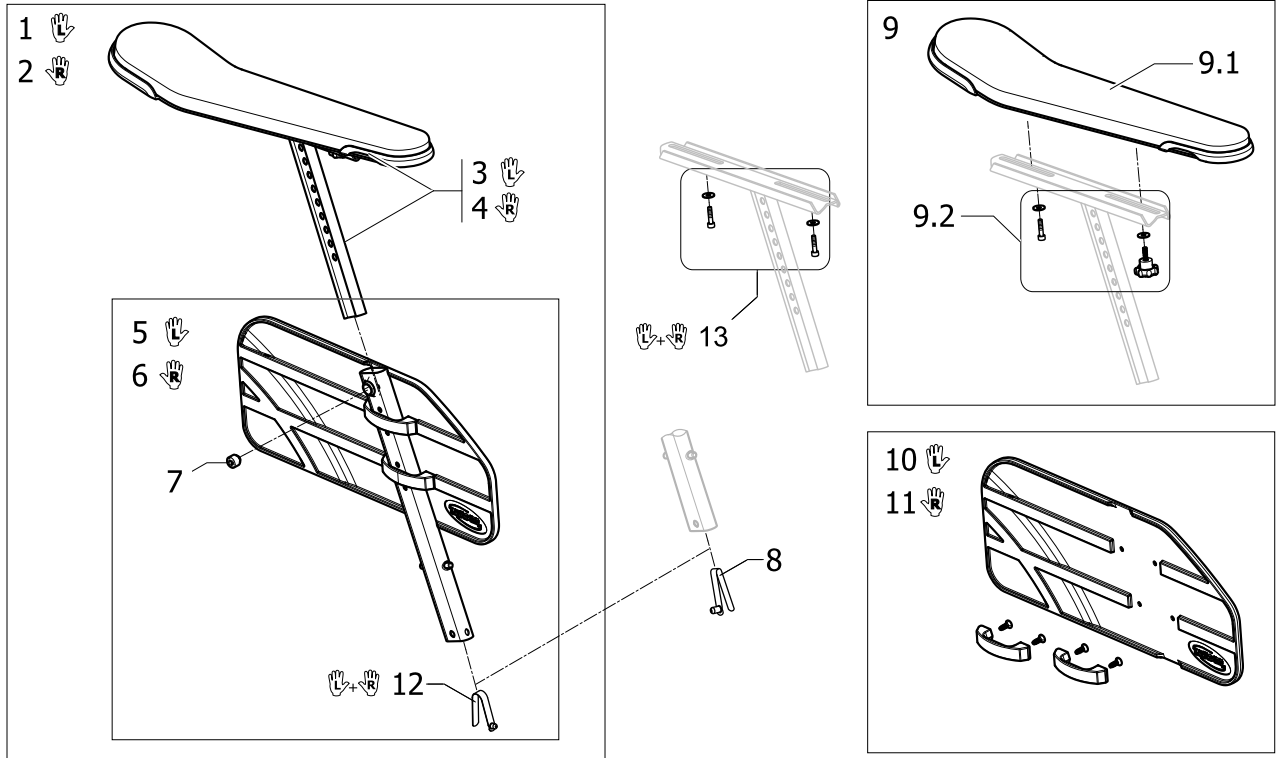
Pos.	Part number	Description	Valid from → until	Qty
1	SP1605950	Footrest Lh inclinable Cplt AA Legrest (Footplate 147 mm)		1
2	SP1605949	Footrest Rh inclinable Cplt AA Legrest (Footplate 147 mm)		1
3	SP1603263	Footrest Lh inclinable Cplt AA Legrest (Footplate 172 mm)		1
4	SP1603259	Footrest Rh inclinable Cplt AA Legrest (Footplate 172 mm)		1
5	SP1603264	Footrest Lh inclinable Cplt AA Legrest (Footplate 197 mm)		1
6	SP1603260	Footrest Rh inclinable Cplt AA Legrest (Footplate 197 mm)		1
7	SP1603265	Footrest Lh inclinable Cplt AA Legrest (Footplate 222 mm)		1
8	SP1603261	Footrest Rh inclinable Cplt AA Legrest (Footplate 222 mm)		1
9	SP1605149	Footplate 147 mm lower legrest		1
10	SP1603896	Footplate 172 mm lower legrest		1
11	SP1603897	Footplate 197 mm lower legrest		1
12	SP1603898	Footplate 222 mm lower legrest		1
13	SP1603257	Left Footrest Without Footplate		1
14	SP1603258	Right Footrest Without Footplate		1
15	SP1657123	tube with cap insert for adjustable footrest		2
16	SP60121862	Footplate joint kit		2
17	SP1654361	Kit plastic Sleeve		2
18	SP1654388	Kit fixation for adjustable footrest AA Legrest		1
19	SP1672696	Heel strap XXL and fixation kit (length 640mm) (v2022) <i>Replaces SP1654360 / 0587-05201 / 1492315 / 1437834</i>		2

Footplate cover



Pos.	Part number	Description	Valid from → until	Qty
1	SP1650354	Cover, Footplate 147 mm		2
2	SP1650355	Cover, Footplate 172 mm		2
3	SP1650356	Cover, Footplate 197 mm		2
4	SP1650357	Cover, Footplate 222 mm		2

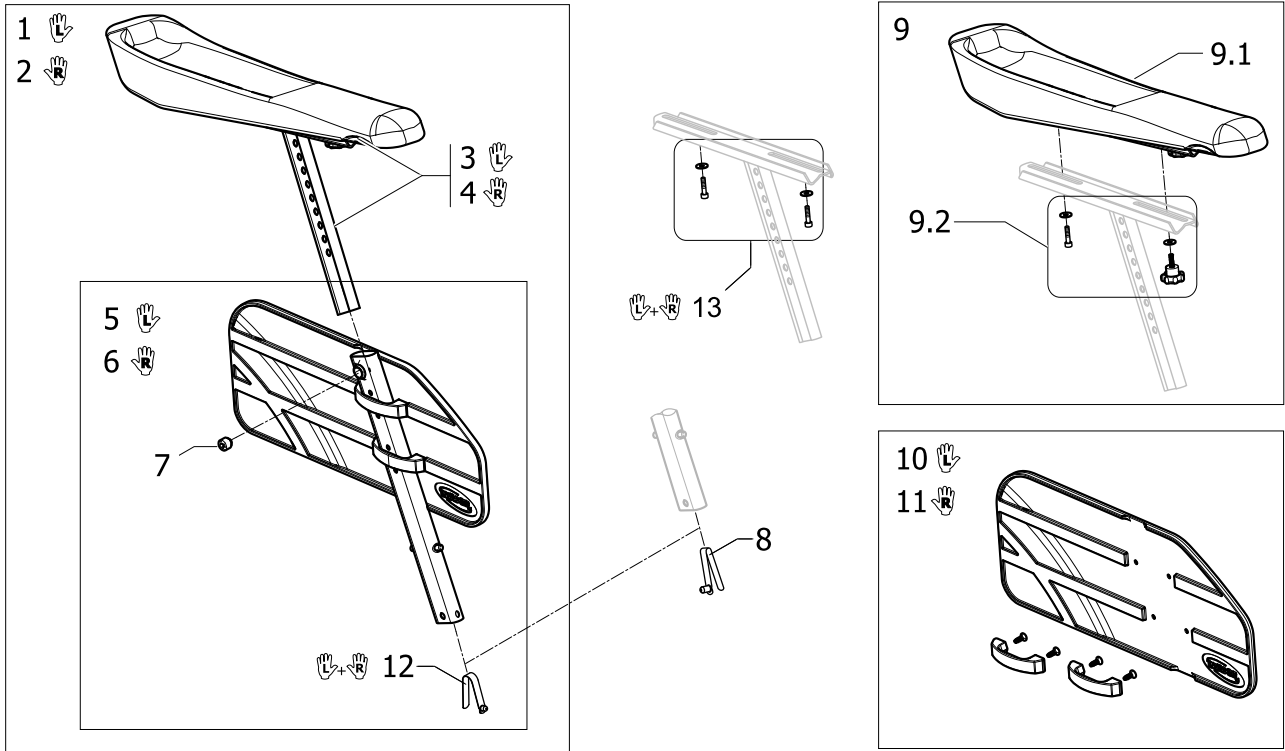
Armrest Standard pad



ISPS1662695

Pos.	Part number	Description	Valid from → until	Qty
1	SP1663157	Armrest, standard pad, Lh, complete		1
2	SP1663158	Armrest, standard pad, Rh, complete		1
3	SP60122307	Upper part Lh, Armrest standard pad		1
4	SP60122308	Upper part Rh, Armrest standard pad		1
5	SP60122303	Lower part Lh, Armrest		1
6	SP60122304	Lower part Rh, Armrest		1
7	5106533	Locking Screw M12x10		2
8	1560734	Snap button	→ 02.02.2021	2
9	SP1663159	Kit standard pad		2
9.1	SP1451561	Armpad, Ducktail		2
9.2	SP1667876	Kit fixation for Standard & Concave pad		2
10	SP1665758	Kit clothguard plate Lh and fixing		1
11	SP1665759	Kit clothguard plate Rh and fixing		1
13	SP1676329	Kit, Fixation for standard & Concave pad (pair)		1

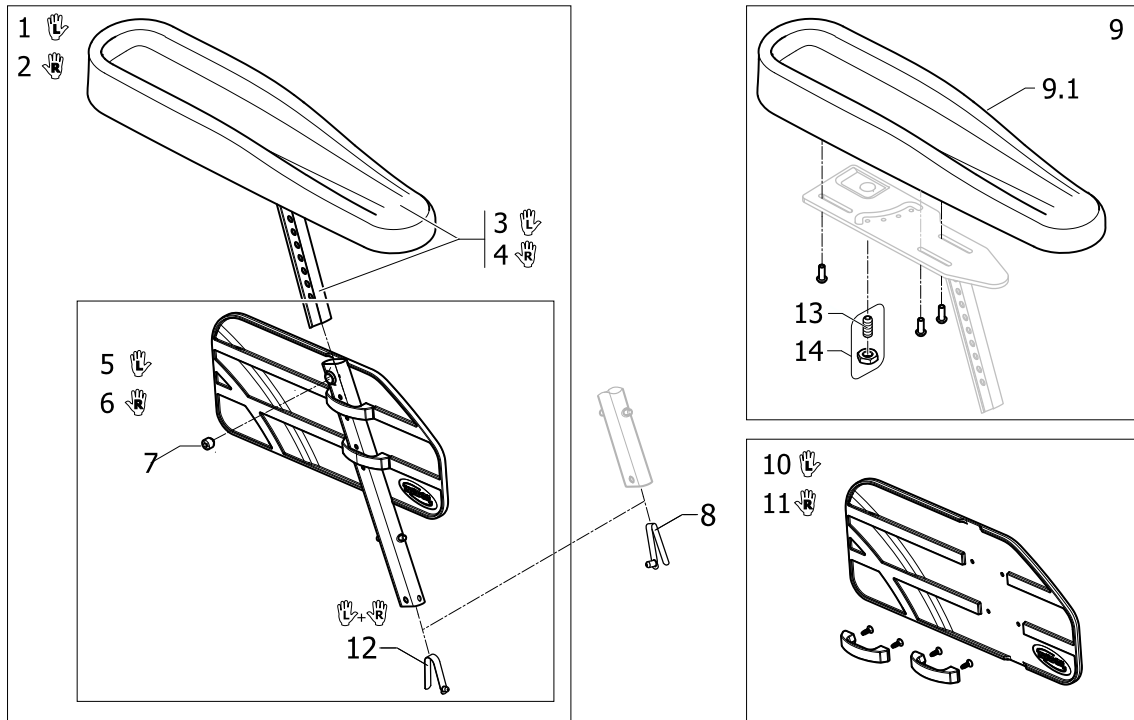
Armrest long Concave armpad



ISPS1662696

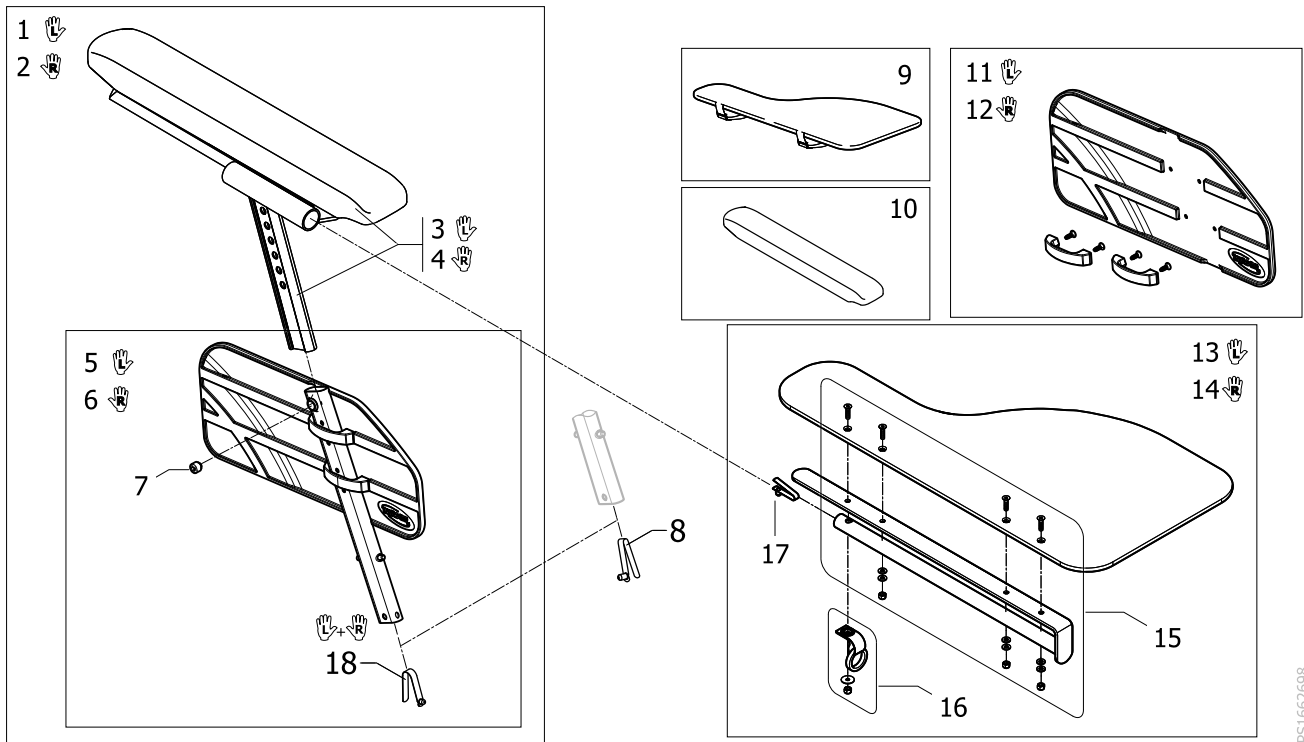
Pos.	Part number	Description	Valid from → until	Qty
1	SP1663160	Lh armrest confort cplte, long Concave armpad		1
2	SP1663161	Rh armrest confort cplte, long Concave armpad		1
3	SP60122305	Lh upper part, for Armrest confort long concave armpad		1
4	SP60122306	Rh upper part, for Armrest confort long concave armpad		1
5	SP60122303	Lower part Lh, Armrest		1
6	SP60122304	Lower part Rh, Armrest		1
7	5106533	Locking Screw M12x10		2
8	1560734	Snap button	→ 02.02.2021	2
9	SP1663162	Kit concave shape confort pad and fixation		2
9.1	SP60109414	Long Concave Armpad		2
9.2	SP1667876	Kit fixation for Standard & Concave pad		2
10	SP1665758	Kit clothguard plate Lh and fixing		1
11	SP1665759	Kit clothguard plate Rh and fixing		1
13	SP1676329	Kit, Fixation for standard & Concave pad (pair)		1

Armrest Hemi



ISPS1662697

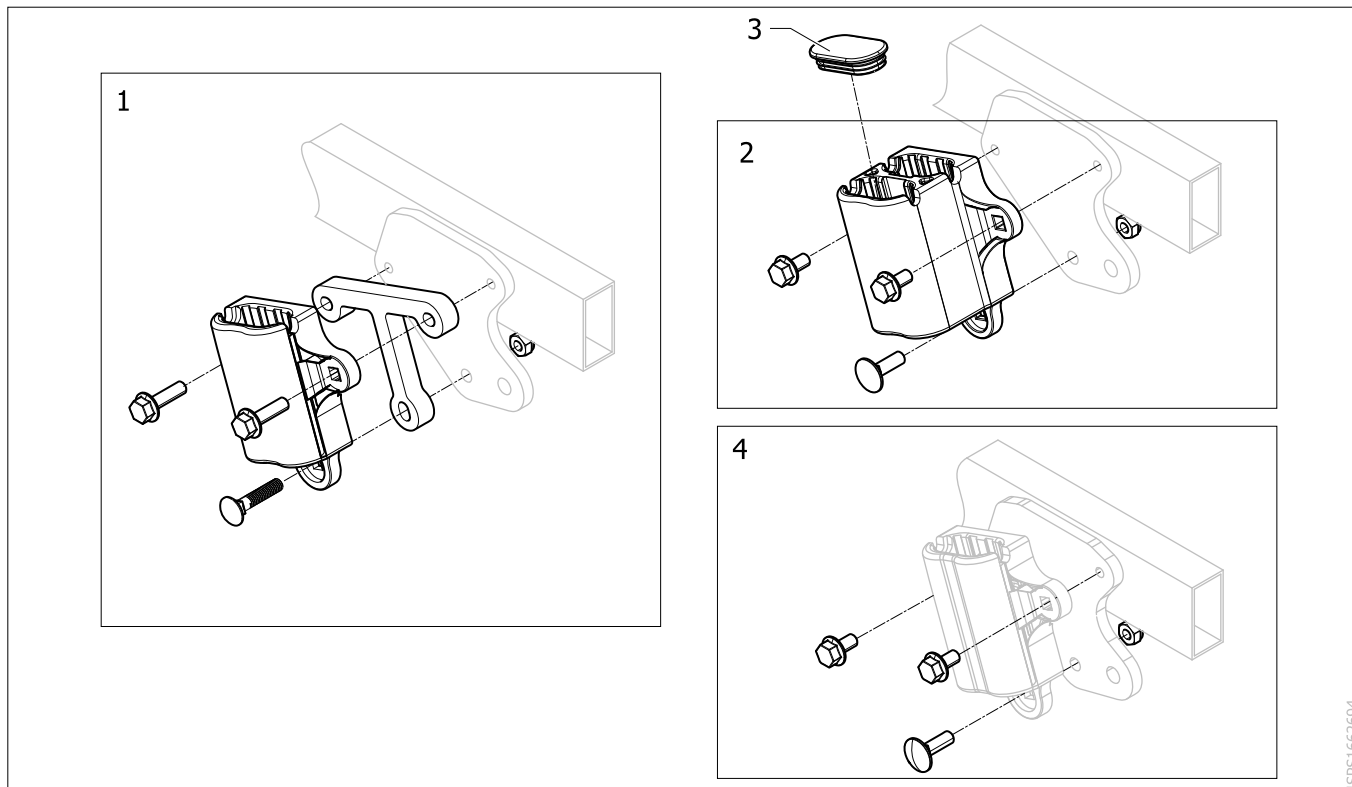
Pos.	Part number	Description	Valid from → until	Qty
1	SP1663163	Armrest hemi, Left, complete		1
2	SP1663164	Armrest hemi, Right, complete		1
3	SP1648803	upper part, armrest Hemi, LH		1
4	SP1648804	upper part, armrest Hemi, RH		1
5	SP60122303	Lower part Lh, Armrest		1
6	SP60122304	Lower part Rh, Armrest		1
7	5106533	Locking Screw M12x10		2
8	1560734	Snap button	→ 02.02.2021	2
9	SP1659962	Hemi armpad and screws		2
10	SP1665758	Kit clothguard plate Lh and fixing		1
11	SP1665759	Kit clothguard plate Rh and fixing		1
13	1424571	Screw Stop M10X23 (Unit)		1
14	SP1673814	Kit screw & nut for hemi armpad rotation		1



ISPS1662698

Pos.	Part number	Description	Valid from → until	Qty
1	SP1663172	Armrest Left cplt half Tray		1
2	SP1663173	Armrest Right cplt half Tray		1
3	SP1661376	armrest upper part Left for half table tray and reinforced sideguard		1
4	SP1661377	armrest upper part Right for half table tray and reinforced sideguard		1
5	SP60122303	Lower part Lh, Armrest		1
6	SP60122304	Lower part Rh, Armrest		1
7	5106533	Locking Screw M12x10		1
8	1560734	Snap button	→ 02.02.2021	2
9	SP1602247-TR26	HALF TRAY PADDING		1
10	1434677	Long Armpad Flat Support		1
11	SP1665758	Kit clothguard plate Lh and fixing		1
12	SP1665759	Kit clothguard plate Rh and fixing		1
13	SP1603597	Half tray, left		1
14	SP1603596	Half tray, right		1
15	SP1605859	Fixing kit half tray		1
16	SP1605860	Rear maintains strap kit for half tray		1
17	0027-10003	Spring pin locked armrest		1

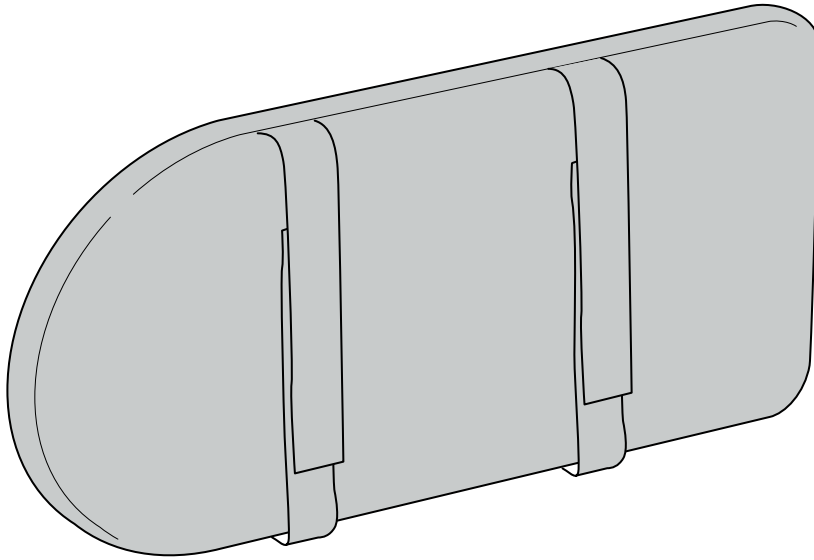
Armrest Attachment



SPS1662694

Pos.	Part number	Description	Valid from → until	Qty
1	SP1662814	Kit armrest single holder and 10mm spacer		2
2	SP1662815	Kit armrest double holder		2
3	SP60107060	Cap, armrest double holder		2
4	SP1662816	Kit screws for armrest holder, without 10mm spacer , pair		2

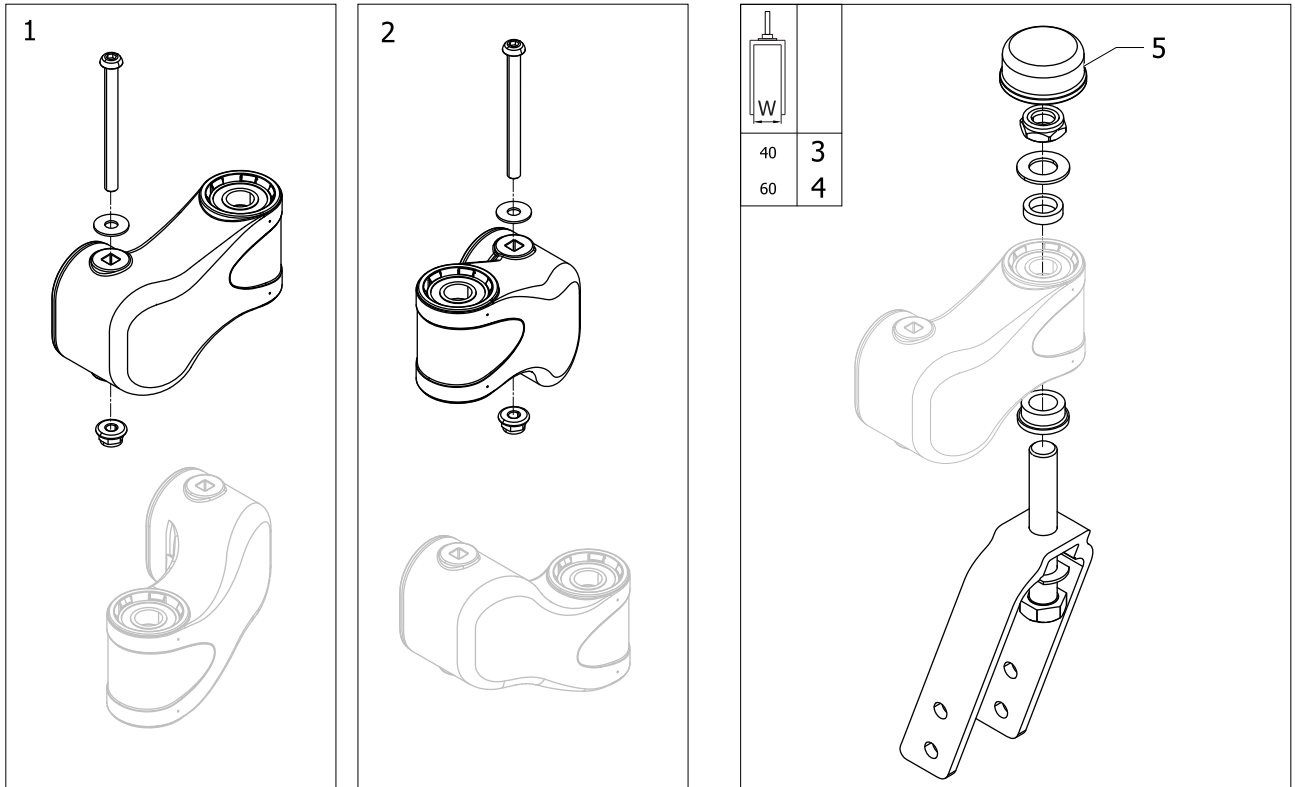
1



!SP51662827

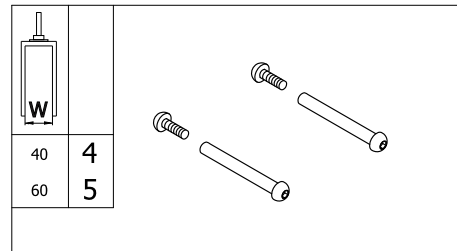
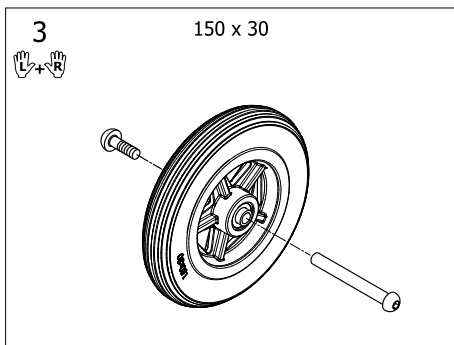
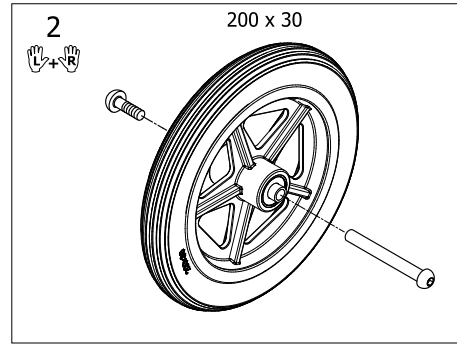
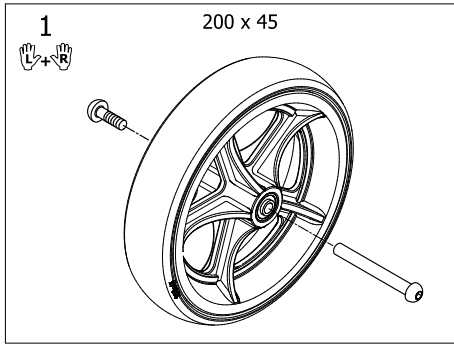
Pos.	Part number	Description	Valid from → until	Qty
1	SP1563943	SIDEREST PAD		2

Fixed Forks and fork supports



Pos.	Part number	Description	Valid from → until	Qty
1	SP1665817	Castor house, Right, cpl and fixing for chassis, fixed fork		1
2	SP1665818	Castor house, Left, cpl and fixing for chassis, fixed fork		1
3	SP1665773	Narrow Fork, Fixed, cpl, 40mm		2
4	SP1665772	Wide Fork, Fixed, cpl, 60mm		2
5	SP1658220	knob for castor attachment, pair		1

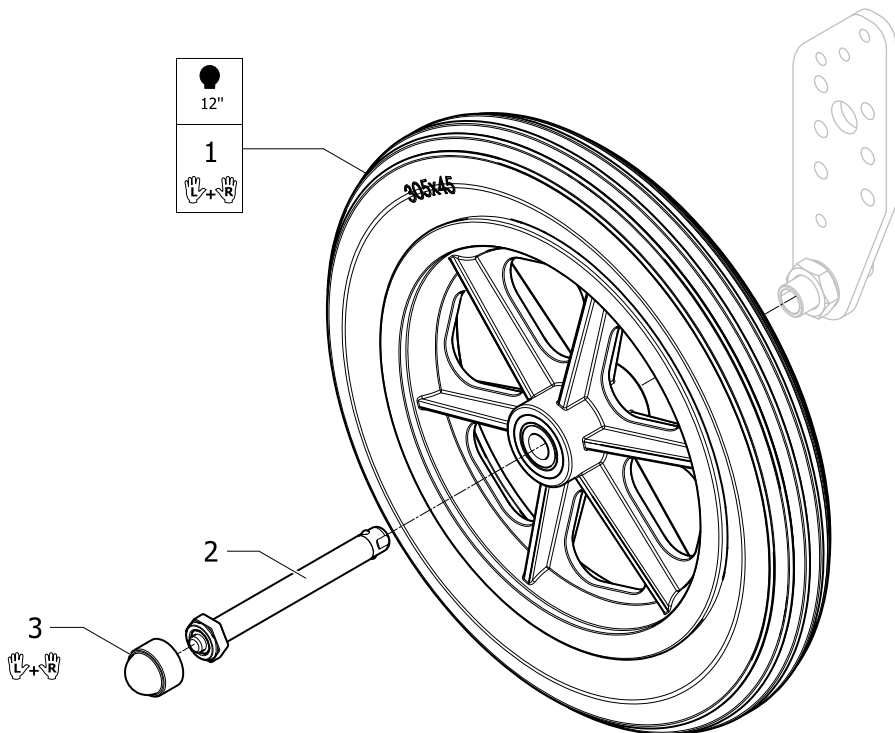
Front Wheel



15P51662693

Pos.	Part number	Description	Valid from → until	Qty
1	SP1666031	Front Wheel 200X45mm Black solid tyre + axle for fork width 60mm, pair		1
2	SP1666032	Front Wheel 200X30mm Black solid tyre + axle for fork width 60mm, pair		1
3	SP1666033	Front wheels 150 x 30 mm (6" x 1.1/4") + axle, PU Black Solid tyre, Fork W40 (pair)		1
4	SP1570168	Kit axles Ø8 L48.5 for forks W40 mm (Pair)		1
5	1561355	Kit axles Ø8 L68.5 for forks W60 mm (Pair)		1

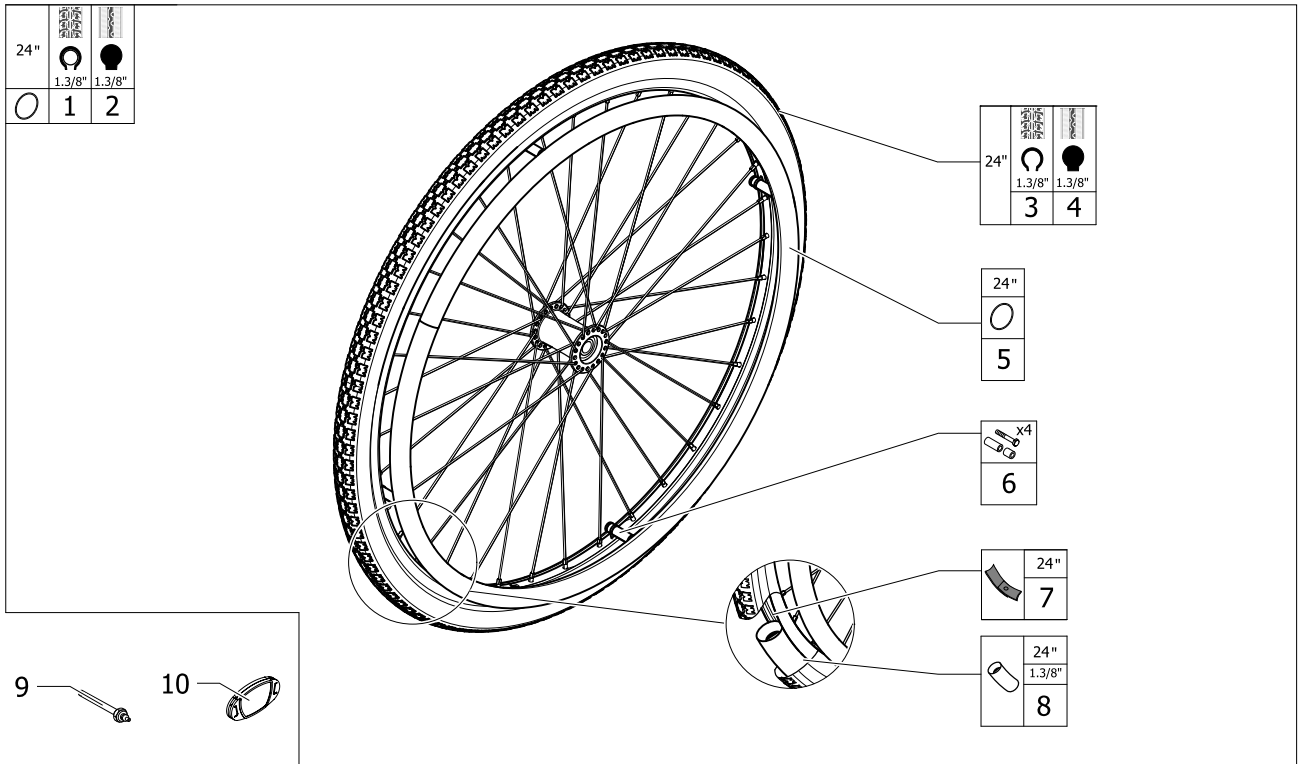
Wheel 12"



ISPS1662768

Pos.	Part number	Description	Valid from → until	Qty
1	SP1662557	Rear Wheel transit 12x2"(305x45mm), Solid Tire PU Black (pair)		1
2	5750165	QR Axle 12mm		2
3	SP1666034	Plastic knob, pair		1

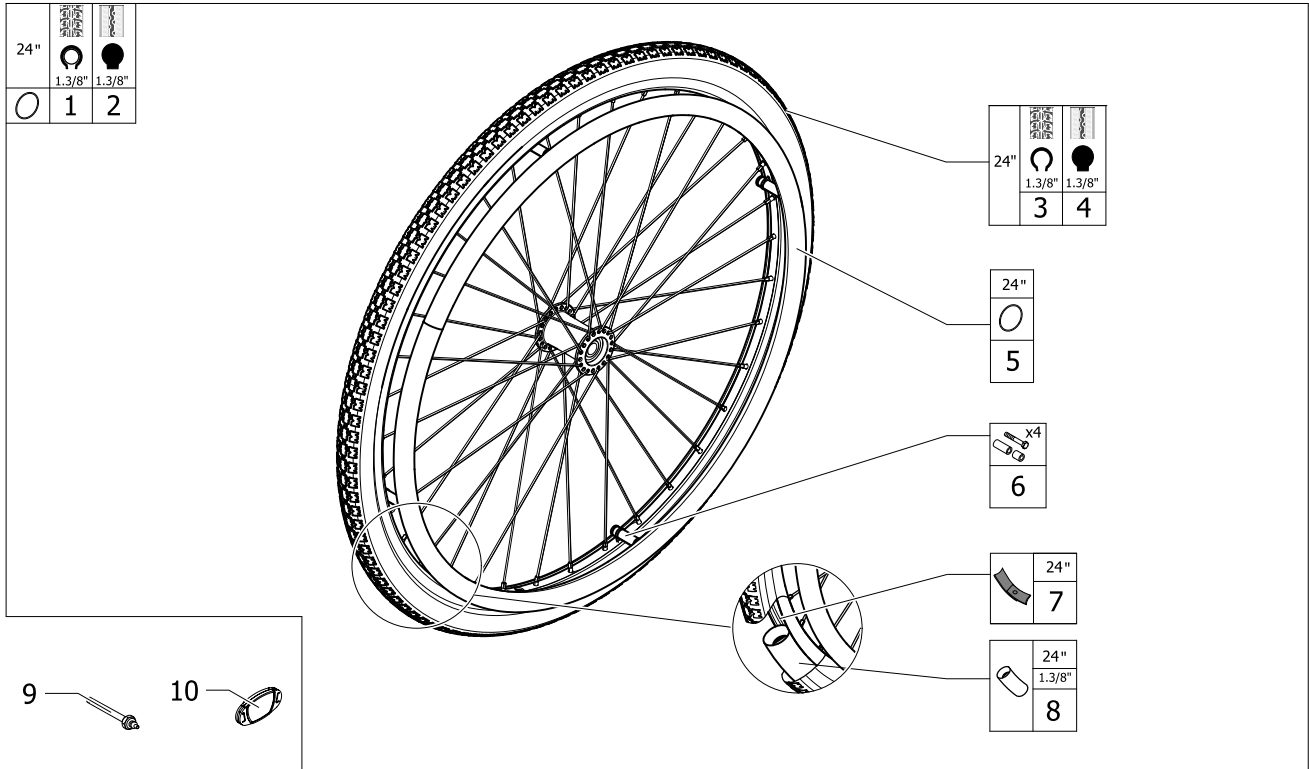
Rea® Clematis Pro|Rear wheels
Wheel 24" Standard



ISPS1662803

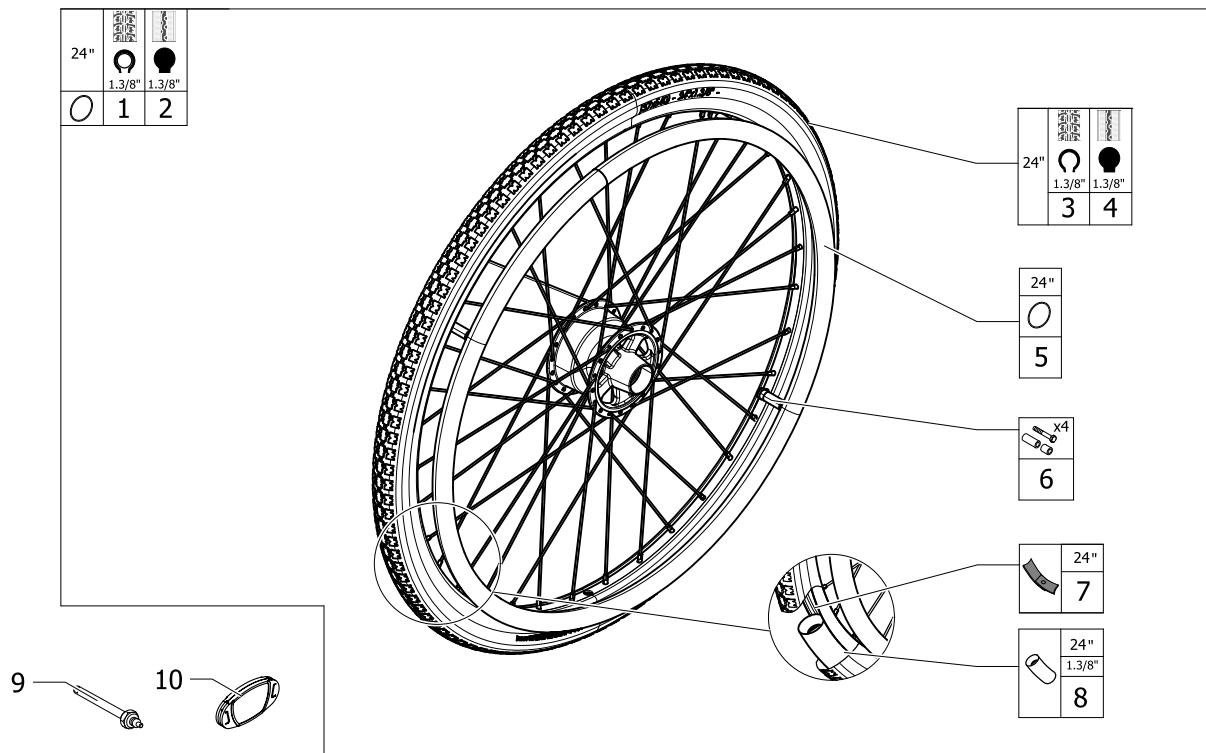
Pos.	Part number	Description	Valid from → until	Qty
1	SP60110612	Rear wheel 24" x 1.3/8", Standard, Black notched pneumatic tyre, Aluminium handrim		2
2	SP60110621	Rear wheel 24" x 1.3/8", Standard, Black solid tyre, Aluminium handrim		2
3	SP60122877	24"x 1.3/8" Black Notched Tire		2
4	SP1640957	Solid Tyre 24"x 1.3/8" (610x33mm), Black		2
5	1505291	Kit Handrim 24" Aluminum, 4 fixations		2
6	1573626	Kit Handrim fixation for Spoked wheel, 4 pts		2
7	0036-40003	Rim tape 24"		2
9	5750165	QR Axle 12mm		2
10	SP1543244	Reflector for spoked wheel (unit) <i>Replaces N90003</i>		4

Wheel 24"Reinforced



Pos.	Part number	Description	Valid from → until	Qty
1	SP60109176	Rear wheel 24" x 1.3/8", Reinforced, Black notched pneumatic tyre, Aluminium handrim		2
2	SP60109185	Rear wheel 24" x 1.3/8", Reinforced, Black solid tyre, Aluminium handrim		2
3	SP60122877	24"x 1.3/8" Black Notched Tire		2
4	SP1640957	Solid Tyre 24"x 1.3/8" (610x33mm), Black		2
5	1505291	Kit Handrim 24" Aluminum, 4 fixations		2
6	1573626	Kit Handrim fixation for Spoked wheel, 4 pts		2
7	0036-40003	Rim tape 24"		2
9	5750165	QR Axle 12mm		2
10	SP1543244	Reflector for spoked wheel (unit) <i>Replaces N90003</i>		4

Rea® Clematis Pro|Rear wheels
Wheel 24"Hub-Brake

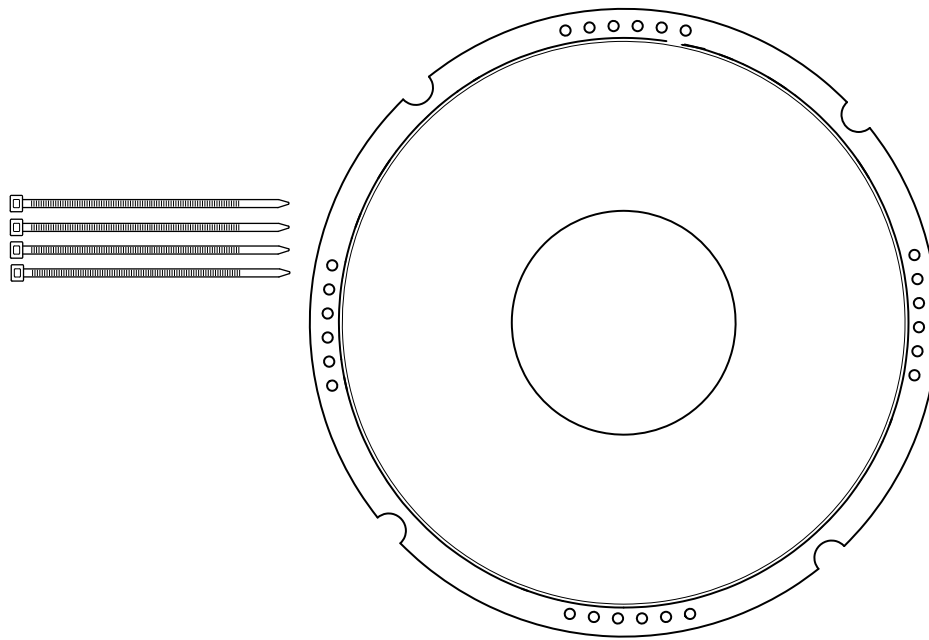


15P51662802

Pos.	Part number	Description	Valid from → until	Qty
1	SP60108729	Rear wheel 24" x 1.3/8", Drum brake, Black notched pneumatic tyre, Aluminium handrim		2
2	SP60108738	Rear wheel 24" x 1.3/8", Drum brake, Black solid tyre, Aluminium handrim		2
3	SP60122877	24"x 1.3/8" Black Notched Tire		2
4	SP1640957	Solid Tyre 24"x 1.3/8" (610x33mm), Black		2
5	1505291	Kit Handrim 24" Aluminum, 4 fixations		2
6	1573626	Kit Handrim fixation for Spoked wheel, 4 pts		2
7	0036-40003	Rim tape 24"		2
9	5750192	Axle QR Ø12mm Length 123mm		2
10	SP1543244	Reflector for spoked wheel (unit) <i>Replaces N90003</i>		4

Spokeguard

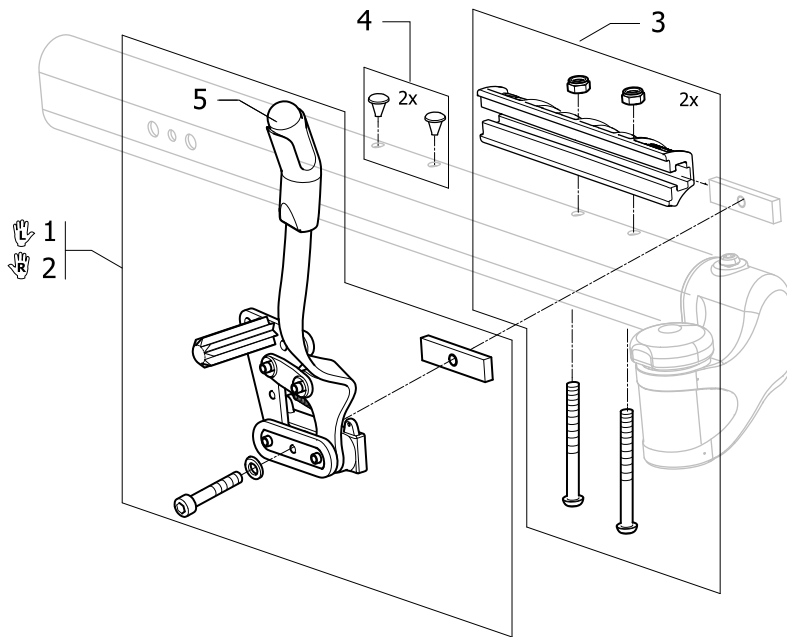
1 24"



ISPS1662804

Pos.	Part number	Description	Valid from → until	Qty
1	5102807	Spoke Protection 24" Frosted Cpl		2

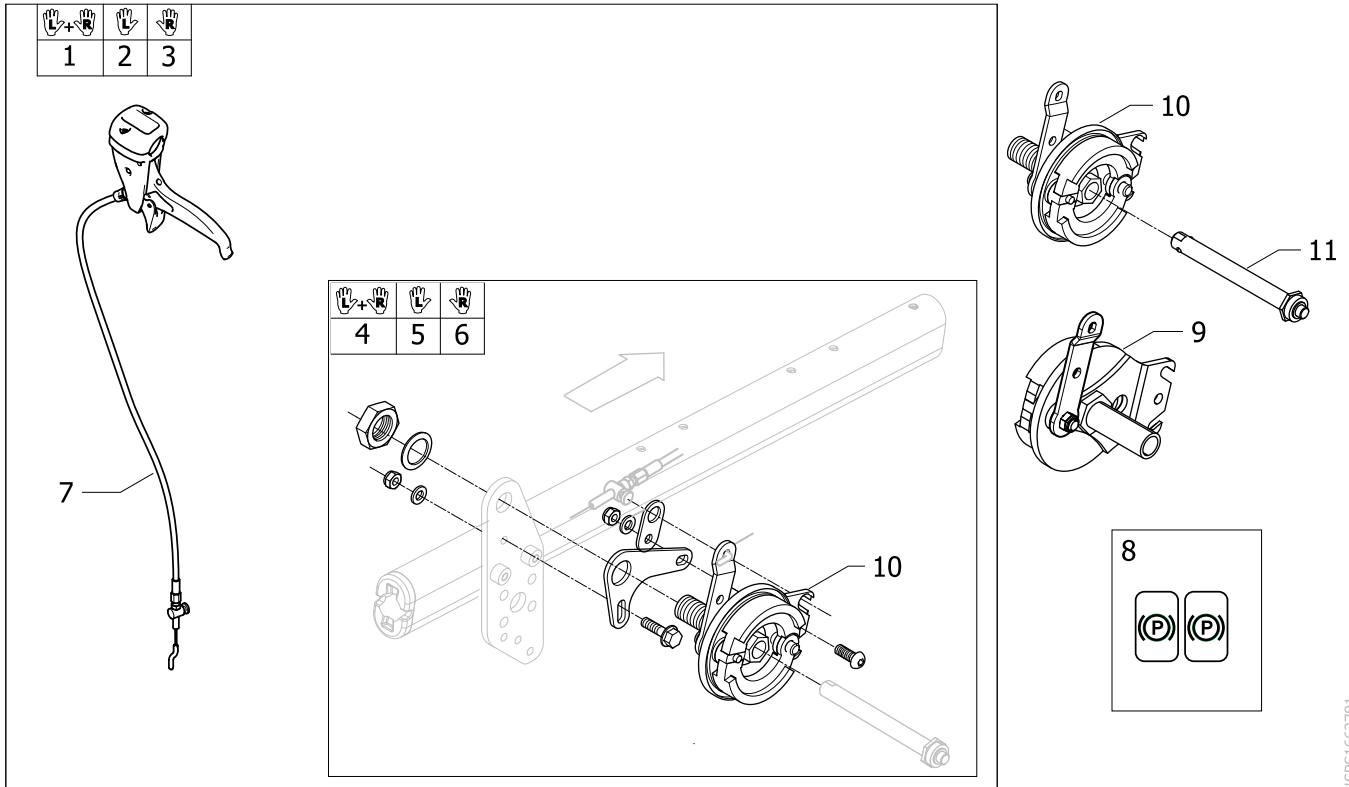
User Brake 24"



ISP51662702

Pos.	Part number	Description	Valid from → until	Qty
1	SP60124161	Brake, bent lever, Left		1
2	SP60124162	Brake, bent lever, Right		1
3	SP1662860	Brake attachment Kit, pair		2
4	SP1662861	Plug kit		2
5	SP5221280	Handle grip for parking brake		2

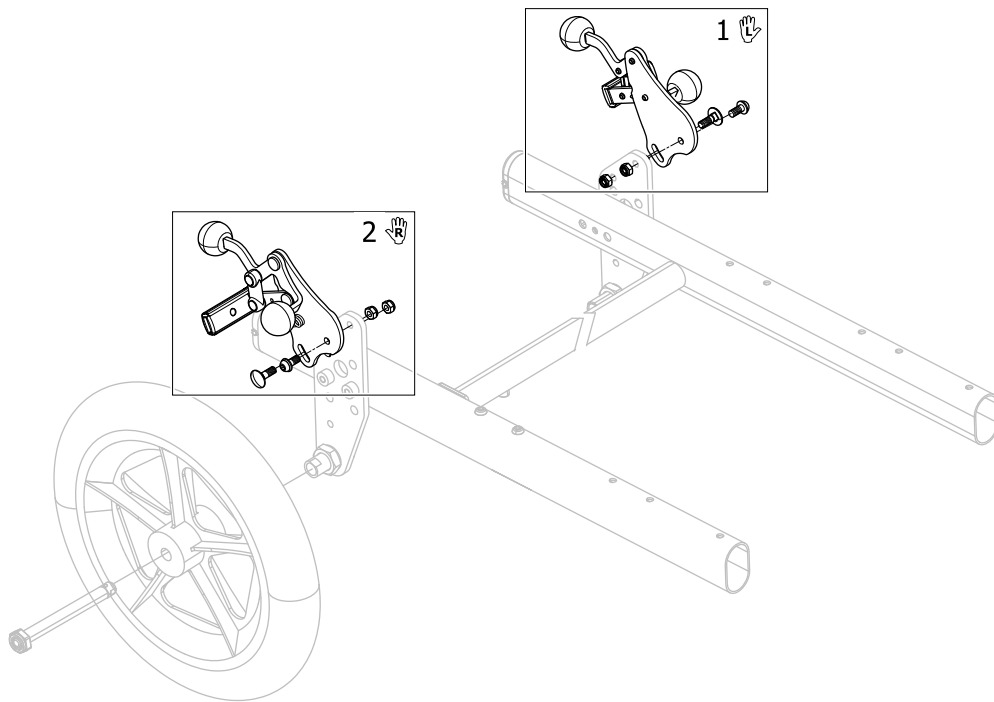
Drumbrake assistant manoeuvred



ISPS1662791

Pos.	Part number	Description	Valid from → until	Qty
1	SP1663176	Kit drumbrake cpl, pair		1
2	SP1663177	Kit drumbrake cpl, Lh		1
3	SP1663178	Kit drumbrake cpl, Rh		1
4	SP1663543	Kit drumbrakes cpl without cable, pair		1
5	SP1663544	Kit drumbrake cpl without cable, Left		1
6	SP1663545	Kit drumbrake cpl without cable, Right		1
7	SP1527425	Cable assy 1235mm, brake		2
8	1536764	DECAL, CABLE ASSEMBLY, BRAKE		1
9	1536252	DRUMBRAKE UNIT, RIGHT, MBL		1
10	1536253	DRUMBRAKE UNIT, LEFT, MBL		1
11	5750192	Axle QR Ø12mm Length 123mm		2

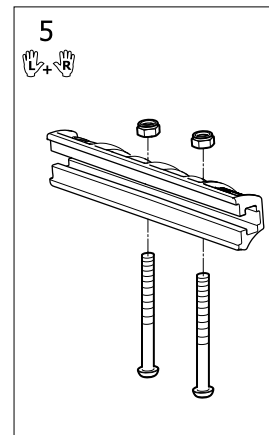
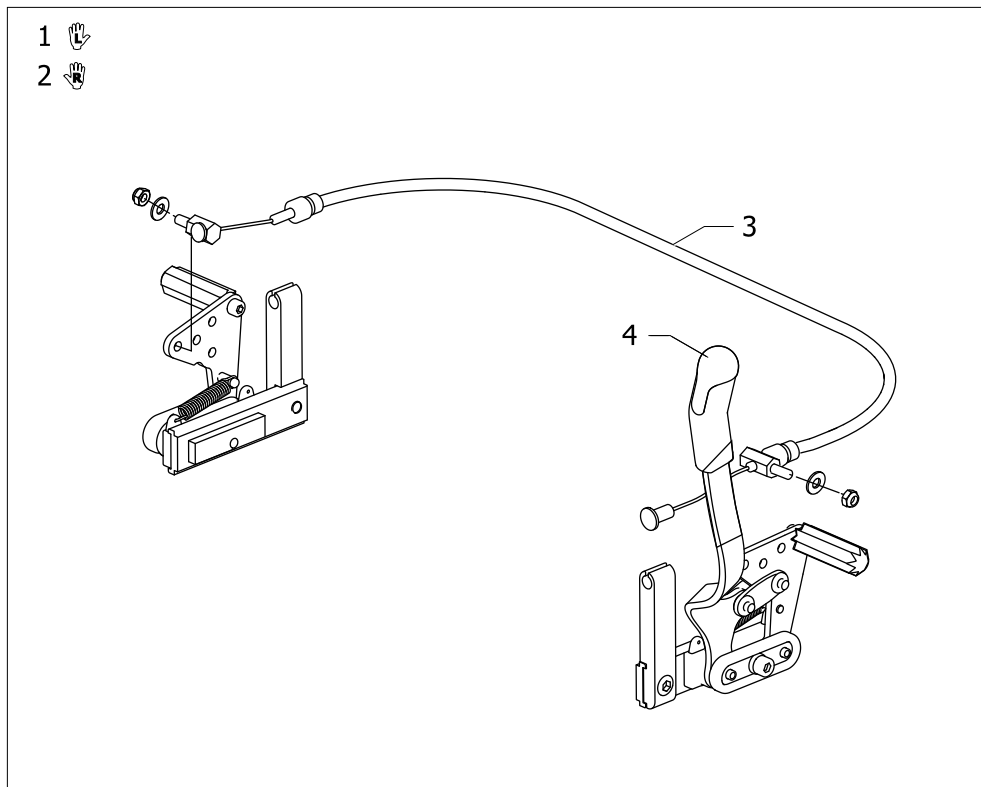
Footbrake



ISPS1662700

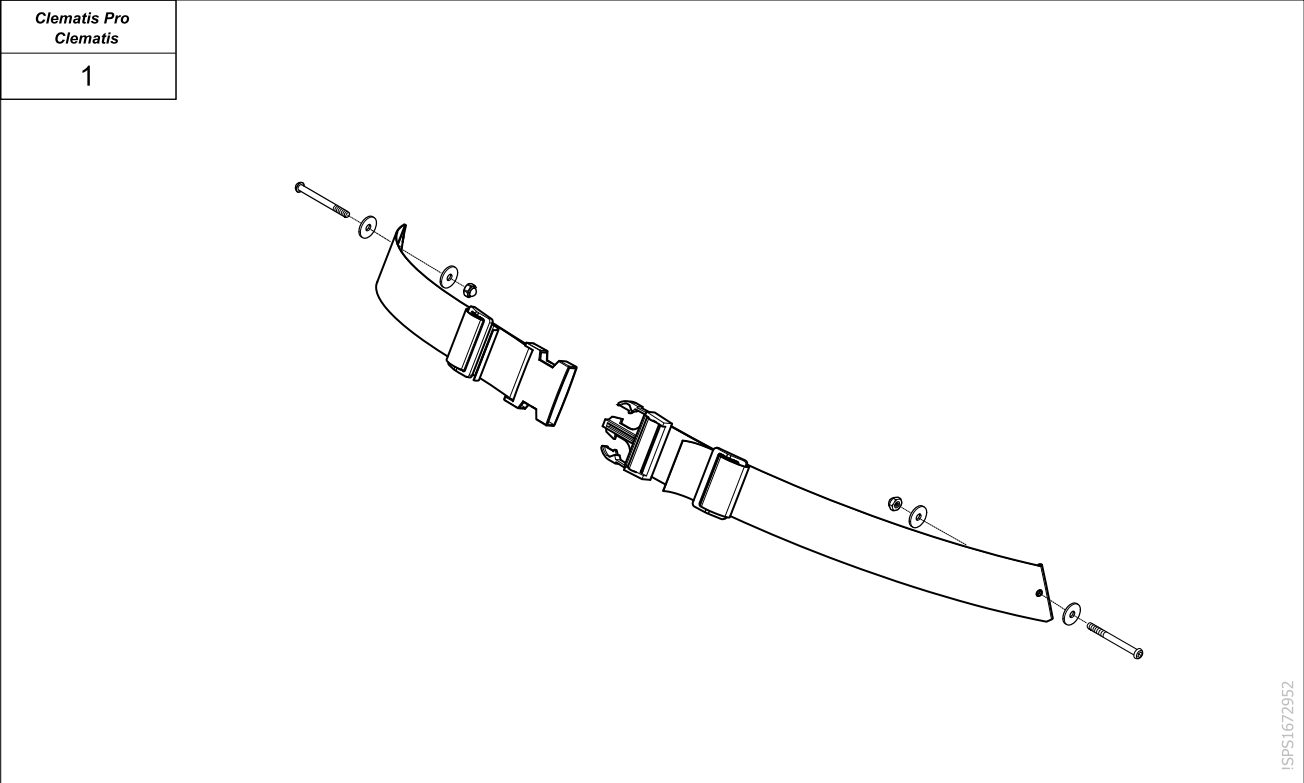
Pos.	Part number	Description	Valid from → until	Qty
1	SP1662862	Kit footbrake Lh		1
2	SP1662863	Kit footbrake Rh		1

One Arm Brake



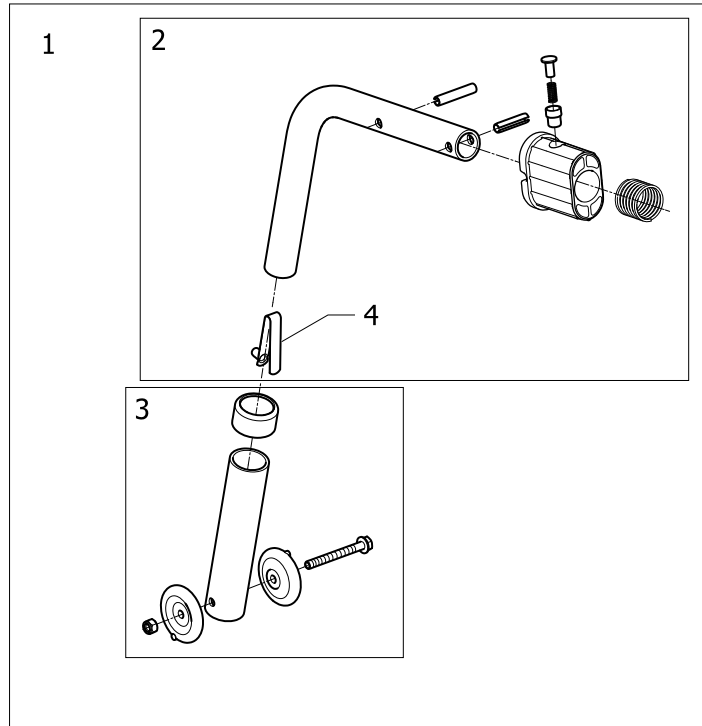
ISPS1662805

Pos.	Part number	Description	Valid from → until	Qty
1	SP1575308	BRAKE, ONE ARM, LH, CPL		1
2	SP1575309	BRAKE, ONE ARM, RH, CPL		1
3	SP1514742	WIRE CONTROL ONE ARM BRAKE		1
4	SP5221280	Handle grip for parking brake		2
5	SP1662860	Brake attachment Kit, pair		2






Pos.	Part number	Description	Valid from → until	Qty
1	SP1672742	Posture belt standard and fixing (v2022), Clematis Pro/Clematis <i>Replaces 1551066</i>	15.11.2022 →	1

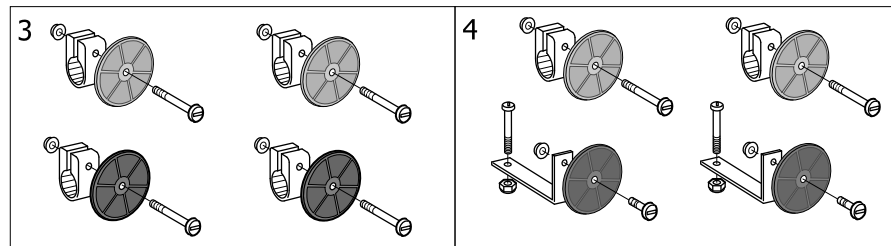
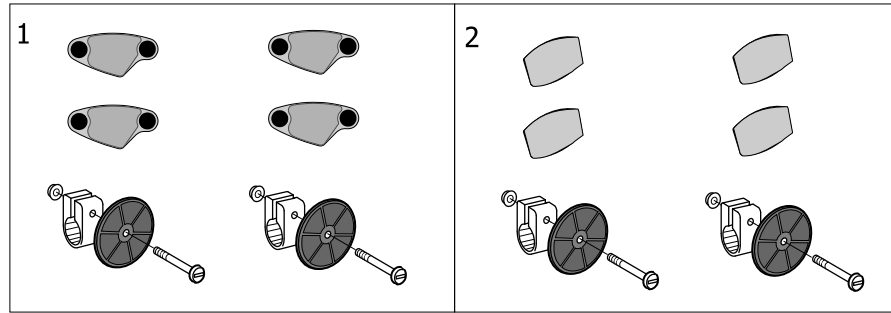
Anti-tip device



ISPS1662764

Pos.	Part number	Description	Valid from → until	Qty
1	SP60108228	Anti-tip device, complete		2
2	SP1663174	Anti tipper upper tube and fixation		2
3	SP1663175	Castors and lower telescopic tube, anti tip device		2
4	1560734	Snap button		2

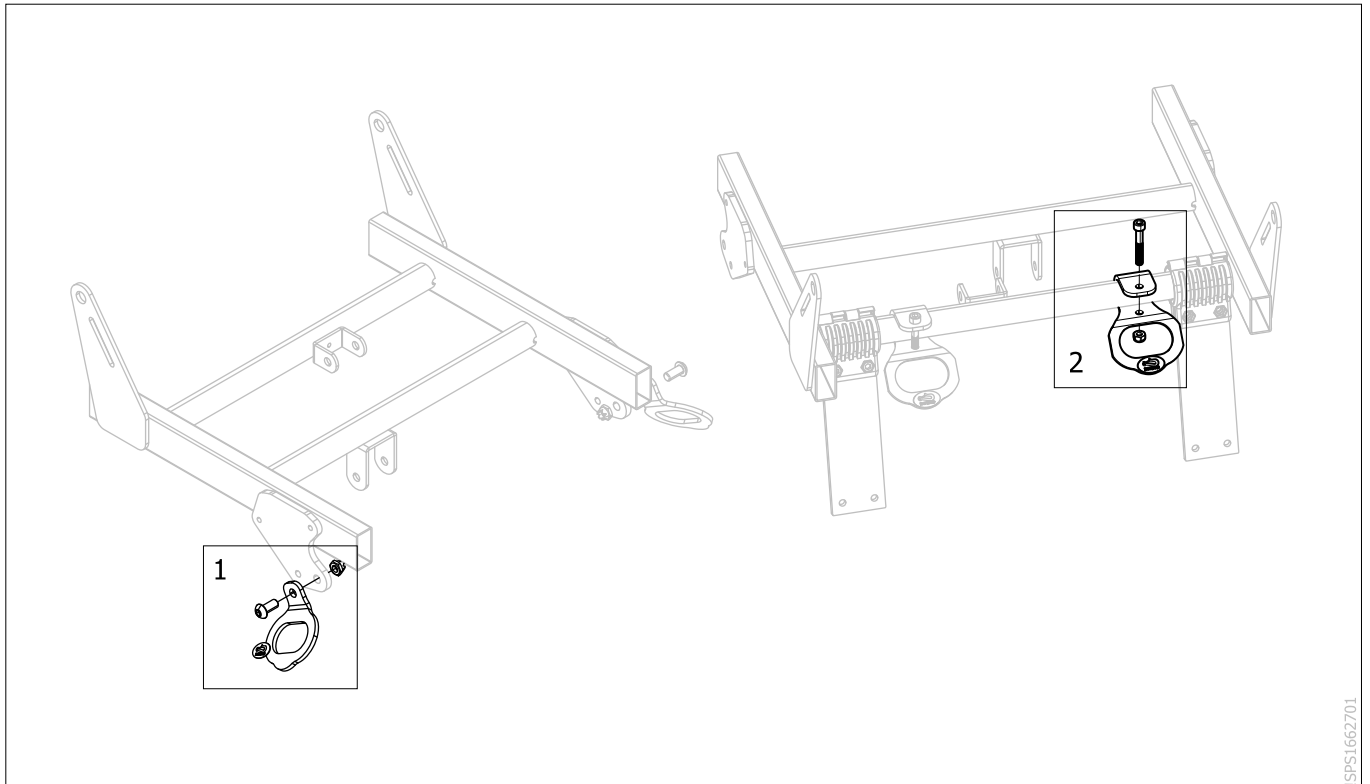
	Clematis, Azalea	Clematis Pro Dahlia
	1	1
	2	2
	3	4



ISP51648801

Pos.	Part number	Description	Valid from → until	Qty
1	SP5206655	Reflector kit (Wheel Rear Spoked)	→ 30.06.2022	1
2	SP1575580	Reflector kit cpl Wheel spoked Spokeguard	→ 30.06.2022	1
3	SP5254249	Reflector kit (Wheel rear 16" 12") Azalea Clematis	→ 30.06.2022	1

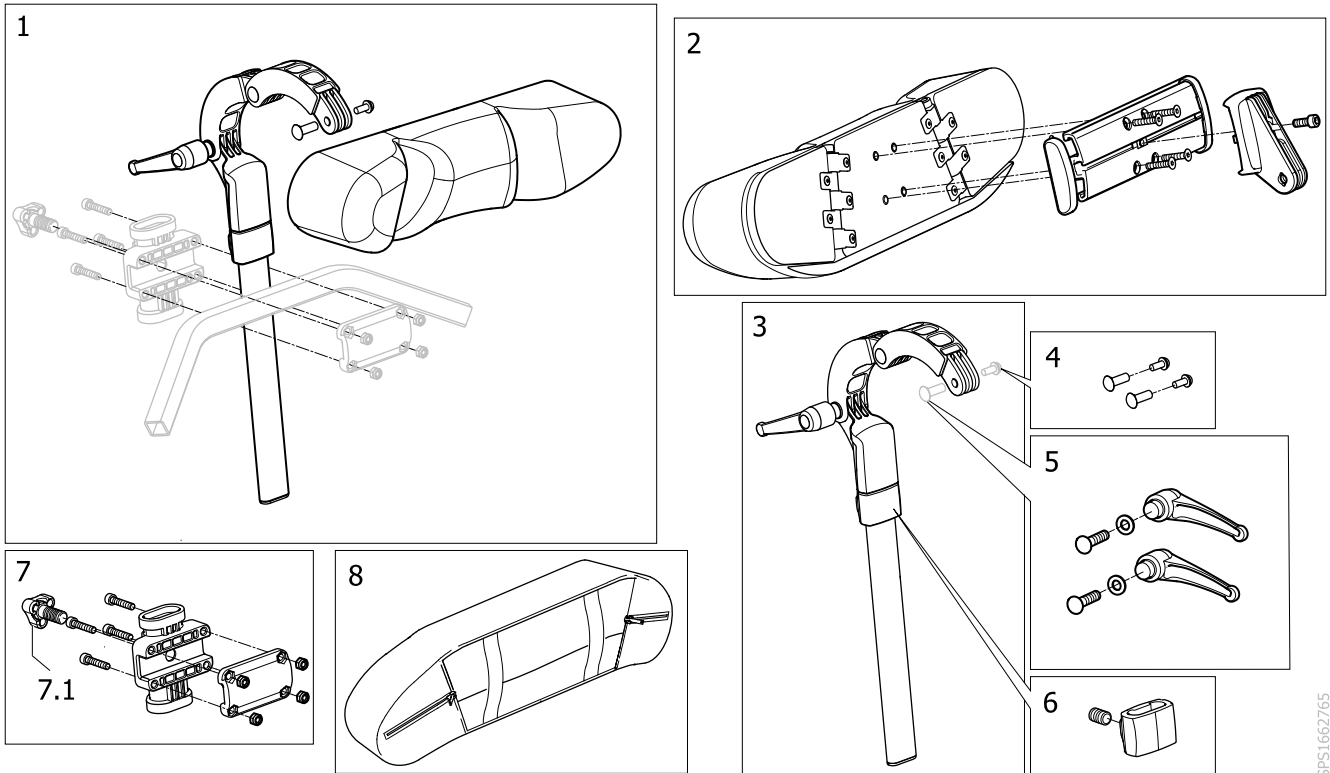
Transportation Brackrest



SPS1662701

Pos.	Part number	Description	Valid from → until	Qty
1	SP1663121	Transportation kit, front, unit		2
2	SP1663122	Transportation kit, rear, unit		2

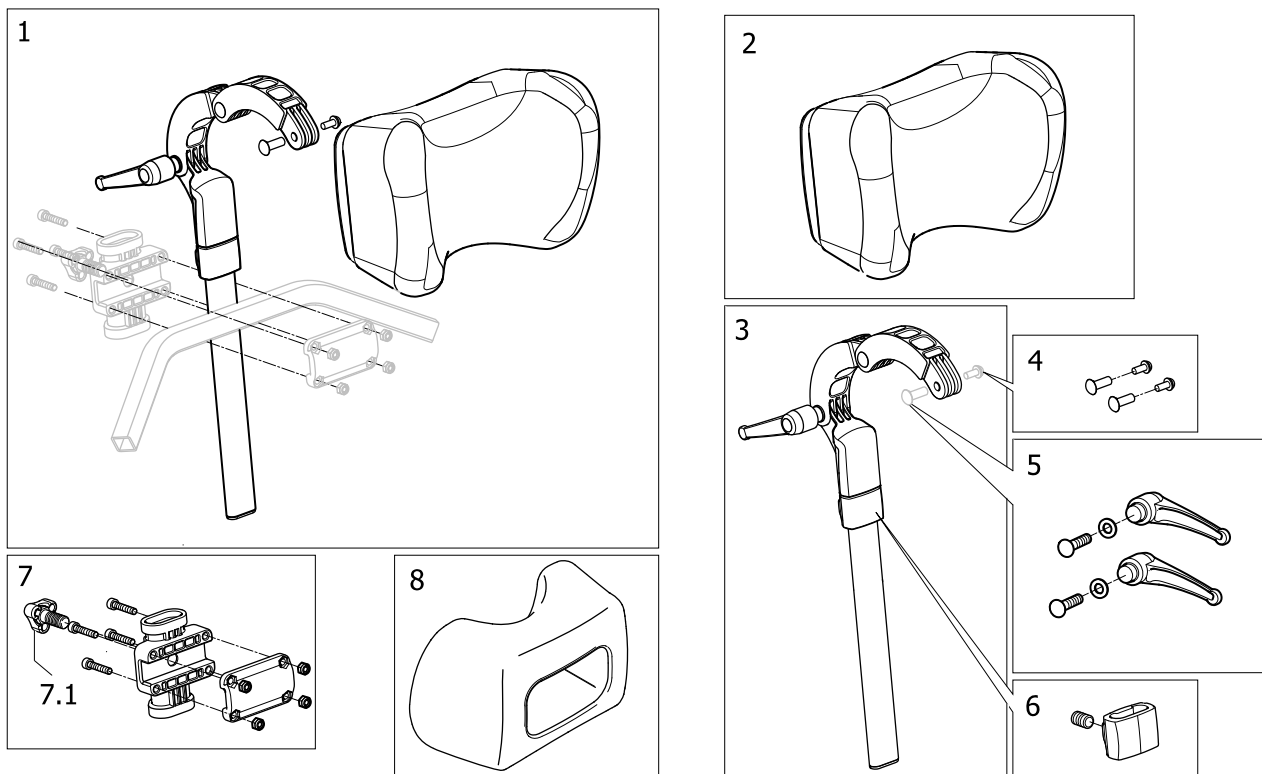
Headrest



ISPS1662765

Pos.	Part number	Description	Valid from → until	Qty
1	SP60122729	Headrest, cpl		1
2	1530755	Headrest cushion, cpl		1
3	SP60122052	Kit headrest attachment, pole + joints		1
4	SP1572769	Fasteners kit, joints, headrest and neckrest		1
5	1445693	Clinic Kit for joints, headrest and neckrest		1
6	SP1448661	Stop neck and headrest		1
7	SP1663165	kit fixing for headrest pole at backrest tube		1
7.1	1497411	Handwheel M12 Long Neck/Headrest		1
8	1518516	Cover, Headrest		1

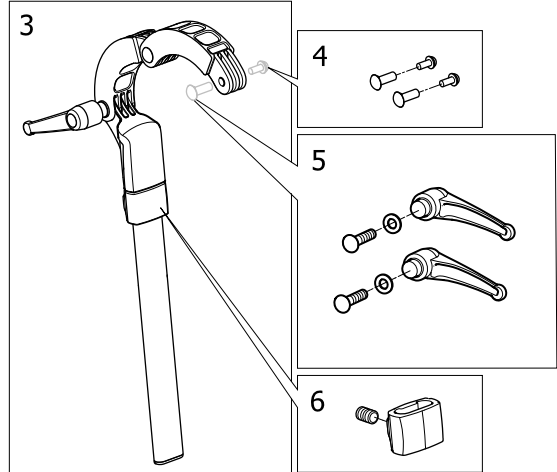
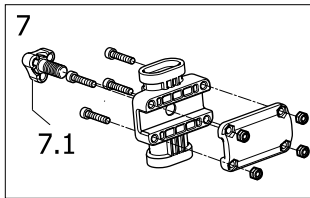
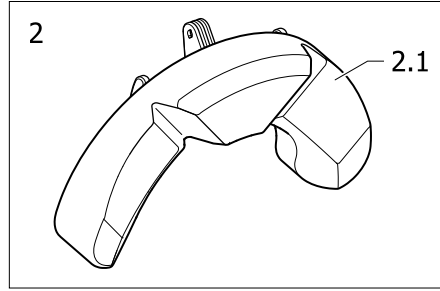
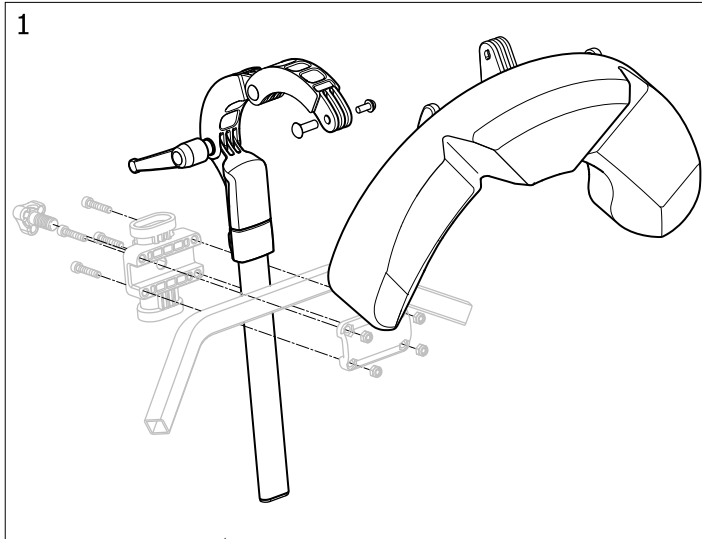
Neckrest



ISPS1662766

Pos.	Part number	Description	Valid from → until	Qty
1	SP60122046	Neckrest cpl		1
2	SP1536790	Neckrest cushion, Incl. Case		1
3	SP60122052	Kit headrest attachment, pole + joints		1
4	SP1572769	Fasteners kit, joints, headrest and neckrest		1
5	1445693	Clinic Kit for joints, headrest and neckrest		1
6	SP1448661	Stop neck and headrest		1
7	SP1663165	kit fixing for headrest pole at backrest tube		1
7.1	1497411	Handwheel M12 Long Neck/Headrest		1
8	1518517	COVER, NECKREST	→ 30.06.2022	1

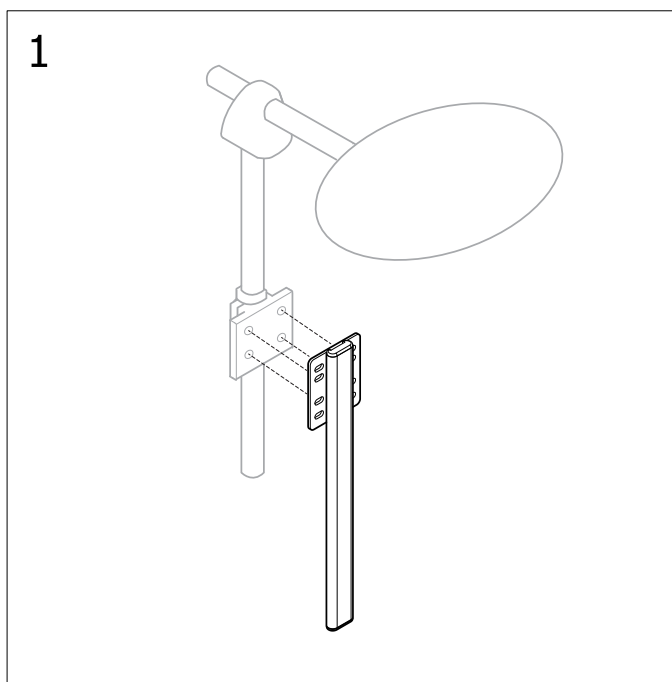
Headrest with Cheek Support



ISPS1666581

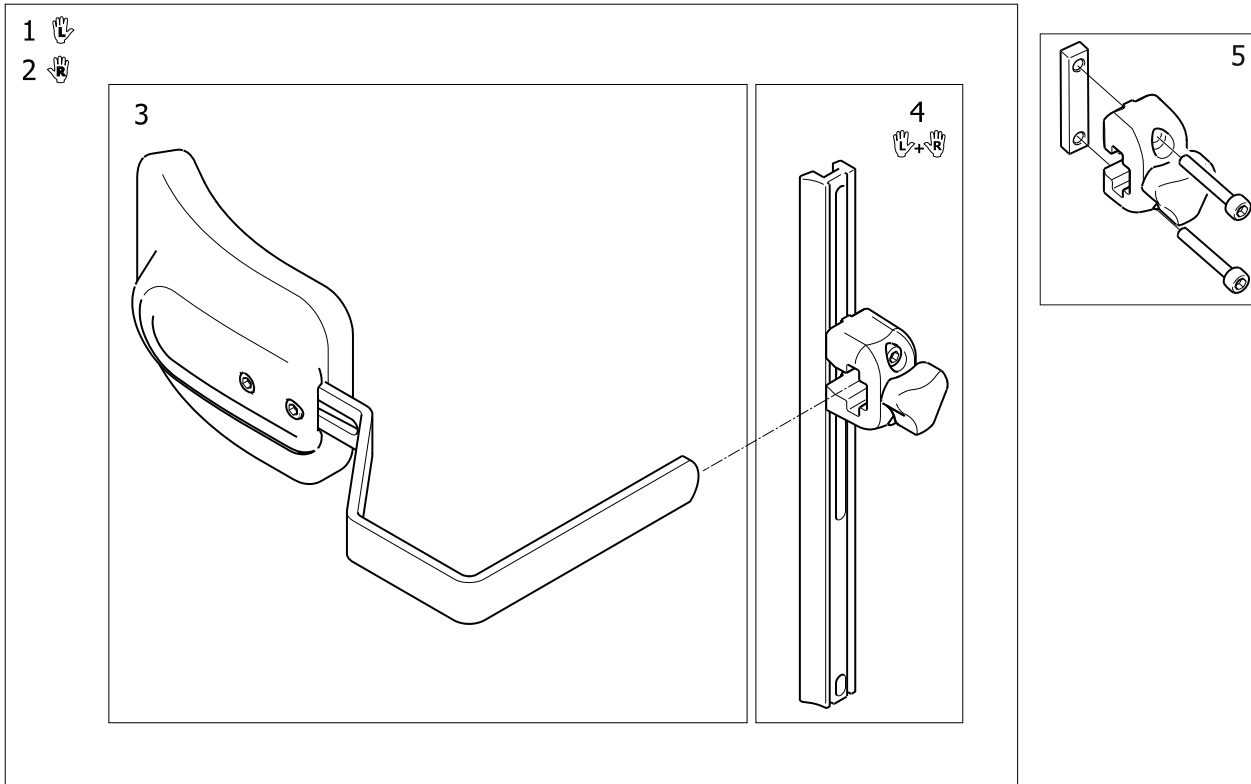
Pos.	Part number	Description	Valid from → until	Qty
1	SP1666582	Cheek support, complete		1
2	SP1666583	cushion cpl, cheek support		1
2.1	1444304	CUSHION, CHEEK SUPPORT		1
3	SP60122052	Kit headrest attachment, pole + joints		1
4	SP1572769	Fasteners kit, joints, headrest and neckrest		1
5	1445693	Clinic Kit for joints, headrest and neckrest		1
6	SP1448661	Stop neck and headrest		1
7	SP1663165	kit fixing for headrest pole at backrest tube		1
7.1	1497411	Handwheel M12 Long Neck/Headrest		1

Universal, Head-/Neckrest pole



ISPS1581931

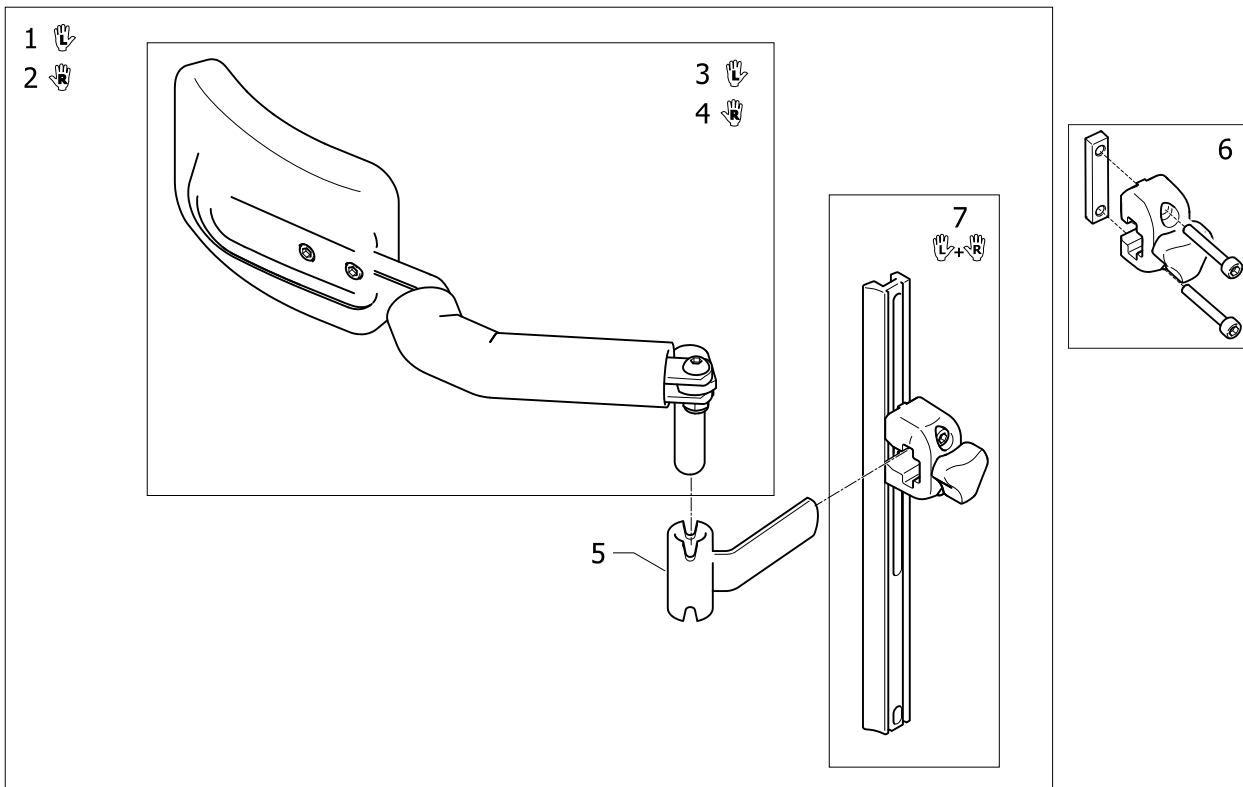
Pos.	Part number	Description	Valid from → until	Qty
1	SP1581931	Alternative Headrest mounting bracket <i>Option removed for DAHLIA & CLEMATIS PRO 2022-07-01</i>		1



!SPS1552651

Pos.	Part number	Description	Valid from → until	Qty
1	1552651	TRUNK SUPPORT 2012 CPL, LE LAGUNA		1
2	1552652	TRUNK SUPPORT 2012 CPL, RI, LAGUNA		1
4	1518526	ATTACHMENT, PAIR, TRUNK SUPPORT		1
5	SP1543574	Attachment, trunk support 2012		1

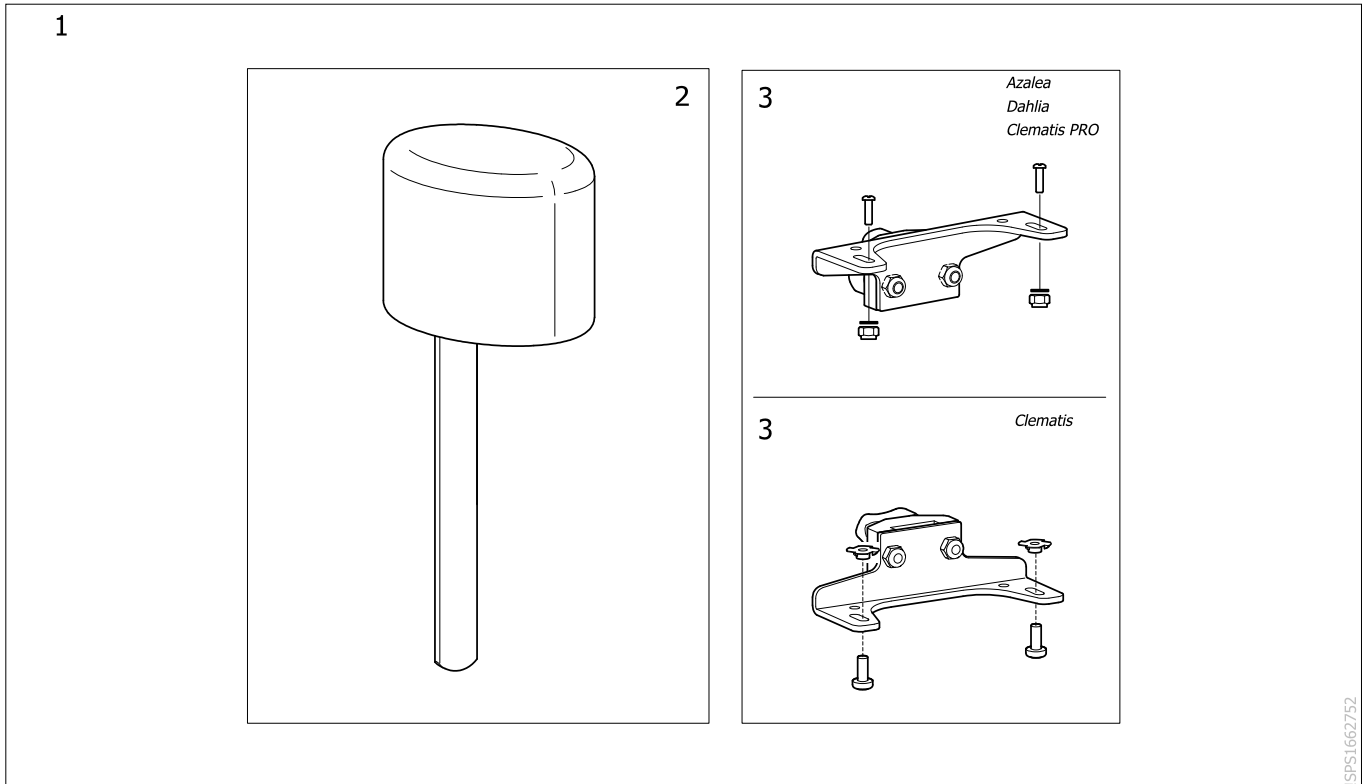
Trunk support, Swingaway, Laguna2



ISPS1552655

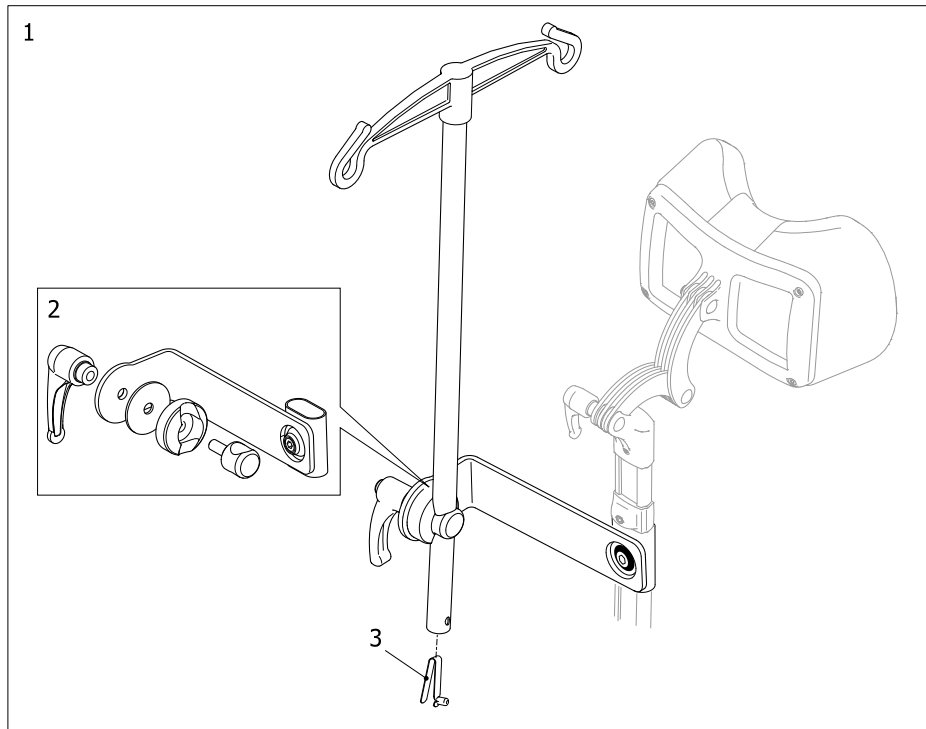
Pos.	Part number	Description	Valid from → until	Qty
1	1552655	TRUNK SUPPORT, LE, SWINGAWAY, LAGUNA2		1
2	1552656	TRUNK SUPPORT, RI, SWINGAWAY, LAGUNA2		1
3	1551853	TRUNK SUPPORT 2012, LE, SWINGAWAY		1
4	SP1551866	Trunk Support 2012, Ri, Swingaway <i>Replace 1551866</i>		1
5	SP1524903	Retainer, Trunk Support		1
6	SP1543574	Attachment, trunk support 2012		1
7	1518526	ATTACHMENT, PAIR, TRUNK SUPPORT		1

Abduction Cushion



Pos.	Part number	Description	Valid from → until	Qty
1	SP1663114	Abduction cushion, TR26 black, holder 225mm, cpl, with fixing <i>Replaces SP1449897</i>		1
2	SP60124307	Abduction cushion, TR26 black, 225mm holder <i>Replaces 1444172</i>		1
3	SP1450464	Fixing for pommel		1



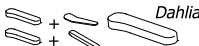
Dripstand

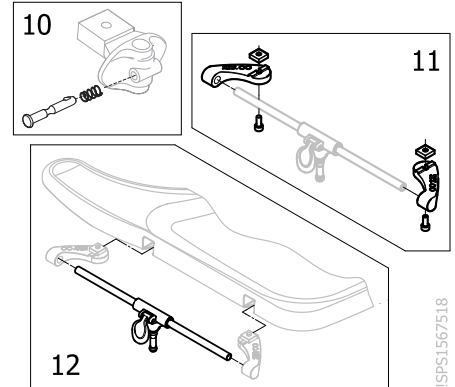
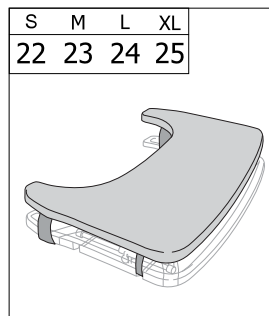
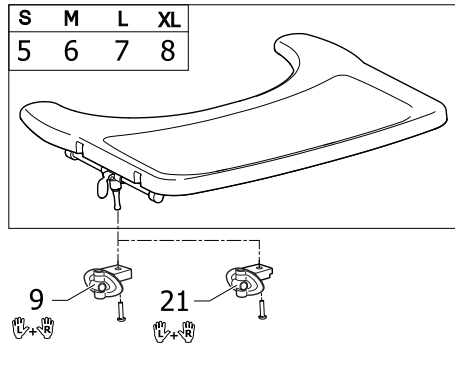
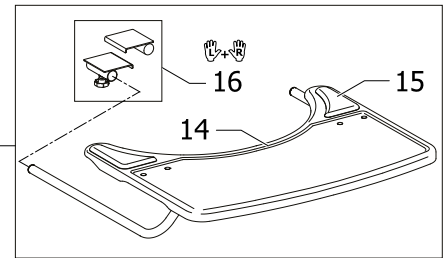


ISPS1440897

Pos.	Part number	Description	Valid from → until	Qty
1	1440897	DRIPSTAND + FIXATION		1
2	1518781	ATTACHMENT, DRIP STAND		1
3	1560734	Snap button		1

Table Tray



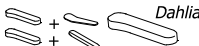
SW (mm)	340			390			440			490			540		
	0	+50	+100	0	+50	+100	0	+50	+100	0	+50	+100	0	+50	+100
 Azalea Dahlia (S)	1	1	1	2	2	2	3	3	3	4	4	4	-	-	-
 Azalea	1	1	1	2	2	3	3	3	4	4	4	4	13	-	-
 Dahlia	17	17	17	18	18	19	19	19	20	20	20	20	13	-	-
Clematis	-	-	-	2	-	-	3	-	-	4	-	-	-	-	-
Clematis Pro	-	-	-	2	2	-	3	3	-	4	4	-	4	4	-

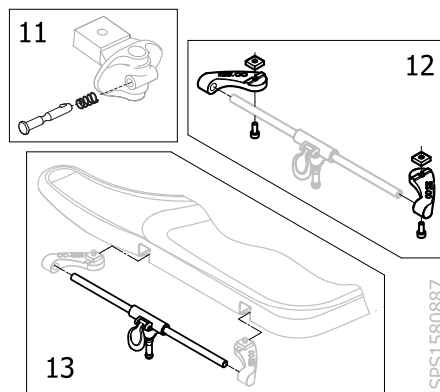
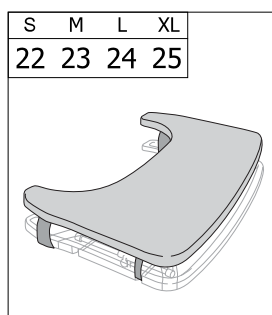
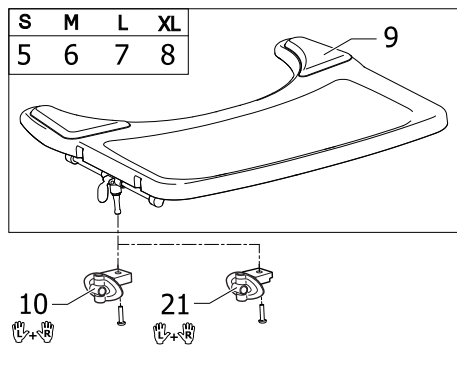
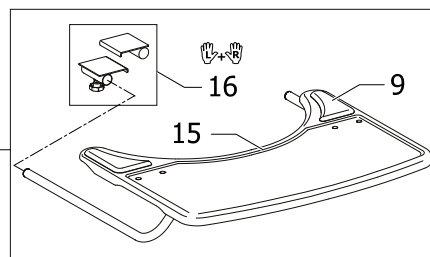


ISPS1567518

Pos.	Part number	Description	Valid from → until	Qty
1	SP1570747	Table Tray SMALL including mounting kit		1
2	SP1570748	TABLE TRAY MEDIUM INCL. MOUNTING KIT		1
3	SP1570749	TABLE TRAY LARGE INCL. MOUNTING KIT		1
4	SP1570775	TABLE TRAY X-LARGE INCL. MOUNTING KIT		1
5	SP1567517	Table tray SMALL		1
6	SP1567518	Table tray MEDIUM		1
7	SP1567519	Table tray LARGE		1
8	SP1568862	Table tray X-LARGE		1
9	SP1570745	MOUNTING KIT, TABLE		1
10	SP1572460	LOCKING DEVICE, KIT, TABLE, PAIR		1
11	SP1652361	Kit attachment for table depth adjustment device		2
12	SP1570675	Table depth adjustment device		2
13	1528869	Table tray, Azalea Max		1
14	1531907	Table Tray, Azalea Max		1
15	1497825	Elbow Pad table (pair)		1
16	1532190	Attachment kit, Table Tray, Azalea Max		1
22	SP1570746	Table cushion, SMALL (width 572 mm)		1
23	SP1571269	Table cushion, MEDIUM (width 622 mm)		1
24	SP1571270	Table cushion, LARGE (width 672 mm)		1
25	SP1571271	Table cushion, X-LARGE (width 722 mm)		1

Table Tray with Elbow Pads

SW (mm)	340			390			440			490			540		
	0	+50	+100	0	+50	+100	0	+50	+100	0	+50	+100	0	+50	+100
 Azalea Dahlia (S)	1	1	1	2	2	2	3	3	3	4	4	4	-	-	-
 Azalea	1	1	1	2	2	3	3	3	4	4	4	4	14		
 Dahlia	17	17	17	18	18	19	19	19	20	20	20	20	14		
Clematis	-	-	-	2	-	-	3	-	-	4	-	-	-	-	-
Clematis Pro	-	-	-	2	2	-	3	3	-	4	4	-	4	4	-



ISPS1580887

Pos.	Part number	Description	Valid from → until	Qty
1	SP1580891	Table Tray, S, elbow pads, incl. mounting kit		1
2	SP1580892	Table Tray, M, elbow pads, incl. mounting kit		1
3	SP1580893	Table Tray, L, elbow pads, incl. mounting kit		1
4	SP1580894	Table Tray, XL, elbow pads, incl. mounting kit		1
5	SP1580887	Table tray, S, Elbow pads		1
6	SP1580888	Table tray, M, Elbow pads		1
7	SP1580889	Table tray, L, Elbow pads		1
8	SP1580890	Table tray, XL, Elbow pads		1
9	1497825	Elbow Pad table (pair)		1
10	SP1570745	MOUNTING KIT, TABLE		1
11	SP1572460	LOCKING DEVICE, KIT, TABLE, PAIR		1
12	SP1652361	Kit attachment for table depth adjustment device		2
13	SP1570675	Table depth adjustment device		2
14	1528869	Table tray, Azalea Max		1
15	1531907	Table Tray, Azalea Max		1
16	1532190	Attachment kit, Table Tray, Azalea Max		1
22	SP1570746	Table cushion, SMALL (width 572 mm)		1
23	SP1571269	Table cushion, MEDIUM (width 622 mm)		1
24	SP1571270	Table cushion, LARGE (width 672 mm)		1
25	SP1571271	Table cushion, X-LARGE (width 722 mm)		1



Yes, you can.®



Belgium & Luxemburg:

Invacare nv, Autobaan 22, B-8210 Loppem
Tel: (32) (0)50 83 10 10, Fax: (32) (0)50 83 10 11
marketingbelgium@invacare.com / www.invacare.be

Denmark:

Invacare A/S, Sdr. Ringvej 37, DK-2605 Brøndby
Tel: (45) (0)36 90 00 00
denmark@invacare.com / www.invacare.dk

Deutschland:

Invacare GmbH, Am Achener Hof 8, D-88316 Isny
Tel: (49) (0)7562 700 0
kontakt@invacare.com / www.invacare.de

EU Export:

Invacare Poirier SAS, Route de St Roch, F-37230 Fondettes
Tel: (33) (0)2 47 62 64 66
eu-export@invacare.com / www.invacare.eu.com

España:

Invacare SA, Avenida del Oeste N°50, 1° 1ª, Valencia, CP: 46001
Tel: (34) (0)972 49 32 14
contactsp@invacare.com / www.invacare.es

France:

Invacare Poirier SAS, Route de St Roch, F-37230 Fondettes
Tel: (33) (0)2 47 62 64 66
contactfr@invacare.com / www.invacare.fr

Italia:

Invacare Mecc San s.r.l., Via Marco Corner 19, I-36016 Thiene (VI)
Tel: (39) 0445 38 00 59
servizioclienti@invacare.com / www.invacare.it

Nederland:

Invacare B.V., Galvanistraat 14-3, 6716 AE Ede
Tel: (31) (0)318 695 757
nederland@invacare.com / www.invacare.nl

Norge:

Invacare AS, Brynsveien 16, N0667 Oslo
Tel: (47) 22 57 95 00
norway@invacare.com / www.invacare.no

Österreich:

Invacare Austria GmbH, Herzog Odilostrasse 101, A-5310 Mondsee
Tel: (43) 6232 5535 0, Fax: (43) 6232 5535 4
info-austria@invacare.com / www.invacare.at

Portugal:

Invacare Lda, Rua Estrada Velha, 949, P-4465-784 Leça do Balio
Tel: (+351) 225 193 360
marketing.pt@invacare.com / www.invacare.pt

Sverige & Suomi:

Invacare AB, Fagerstagatan 9, S-163 91 Spånga
Tel: (46) (0)8 761 70 90, Fax: (46) (0)8 761 81 08
sweden@invacare.com / www.invacare.se

Switzerland:

Neuhofweg 51, 4147 Aesch BL
Tel: (41) (0)61 487 70 80, Fax: (41) (0)61 487 70 81
switzerland@invacare.com / www.invacare.ch

United Kingdom:

Invacare Limited, Unit 4, Pencoed Technology Park, Bridgend CF35 5AQ
Switchboard Tel: (44) (0)1656 776200
Customer services Tel: (44) (0)1656 776222
csmobilityuk@invacare.com
csifstyleuk@invacare.com
uk@invacare.com / www.invacare.co.uk