

Spare Parts Catalogue

Version: 2010/05/19a EN



Invacare® XLT



Yes, you can.®

General Information

For any order of spare parts the following information is required:

- Product type*
- Product name & model*
- Serial Number*
- Part-Number*
- Part-Description*

Exploded view drawings and code numbers are not contractual and subject to modification, in relation to Invacare® continuous product improvement policy to meet end users needs.

The reproduction or use of this work, or of any substantial part of this work, in any form or by any electronic, mechanical or other means, including photocopying, scanning and recording, and in any information storage and retrieval system, including electronic transmission, is forbidden without the prior written permission of Invacare® International Sarl.



Yes, you can.®

TABLE OF CONTENTS

Chassis

Chassis	5
Rear wheel attachment	6
Rear wheel attachment, 3° camber	7
Castor attachment	8

Seat

Seat upholstery	9
Seat cushion	10

Backrest

Backrest frame	12
Backrest body and cover	14
Narrow Backrest	16
Backrest plug (no handles)	17
Push handles, Titanium	18
Push handles, foldable	19
Push handles, external	20

Legrests

Legrest 80° Alu2003, Fixed	21
Legrest 90° Alu2003, Fixed	22
Legrest AA	23
Calf strap	24
Calf strap, Alu2003 legrest	25
Amputee legrest, Alu2003	26

Footrests

Footbow	27
Footrest, high mounted	28
Footrest, fixed, Alu2003	29
Footrest, AA, Alu2003	30
Footrest 90°, Alu2003	32
Footrest one-piece, flip-up	33
Footrest one piece 80°	34
Footrest one piece 90°	35
Heel strap	36

Siderests

Adjustable armrest, fixed	37
Armrest, "Flip-up"	38
Armrest attachment	39
Armrest, hemiplegic	40
Sideguard	41
Mudguard	42

Front Wheels

Castor wheels	43
---------------------	----



Yes, you can.®

TABLE OF CONTENTS

Rear Wheels

Wheel 24-22-20"	44
Wheel 24-22-20" (=> 2010.04)	46
Wheel 24-22" DB	49
Wheel 24-22-20" DB (=> 2010.04)	51
Wheel 26-25"	53
Wheel 24" SPORTY	54
Wheel 24" SPIDER	55
Wheel 24" SPINERGY	56

Brakes

Brake, Standard	57
Brake, Performance	58
Brake, Active	59
One arm brake	60
Drumbrake	61

Safety Options

Pelvic belt	62
Anti-tip device	63
Anti-tip device, Extended	64
Reflector	65

Seating Options

Bar, Neck-Headrest	66
Headrest	67
Neckrest	68
Cheek support	69
Trunk support, "swingaway"	70
Trunk support, multi adj, "swingaway"	71

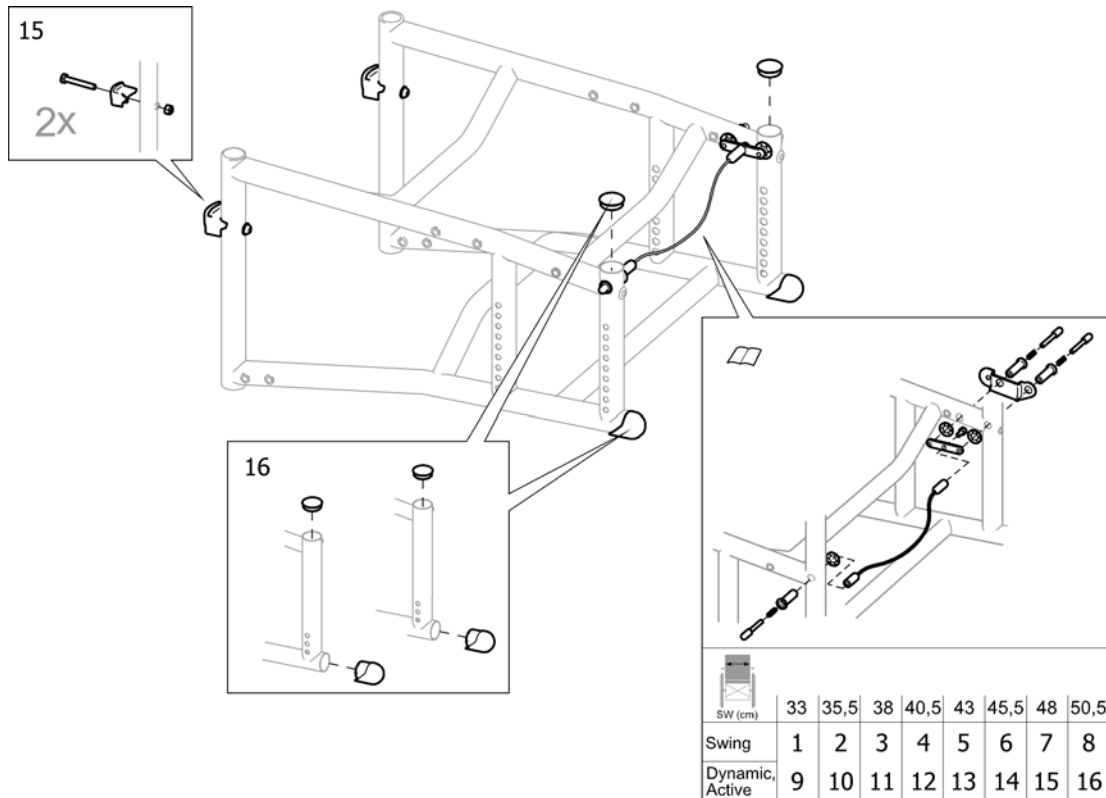
Propulsion Options

One arm drive	72
---------------------	----

Other Options & Accessories

Table tray	73
Crutch holder	74
Pump	75
Step tube	76
Frame cover	77

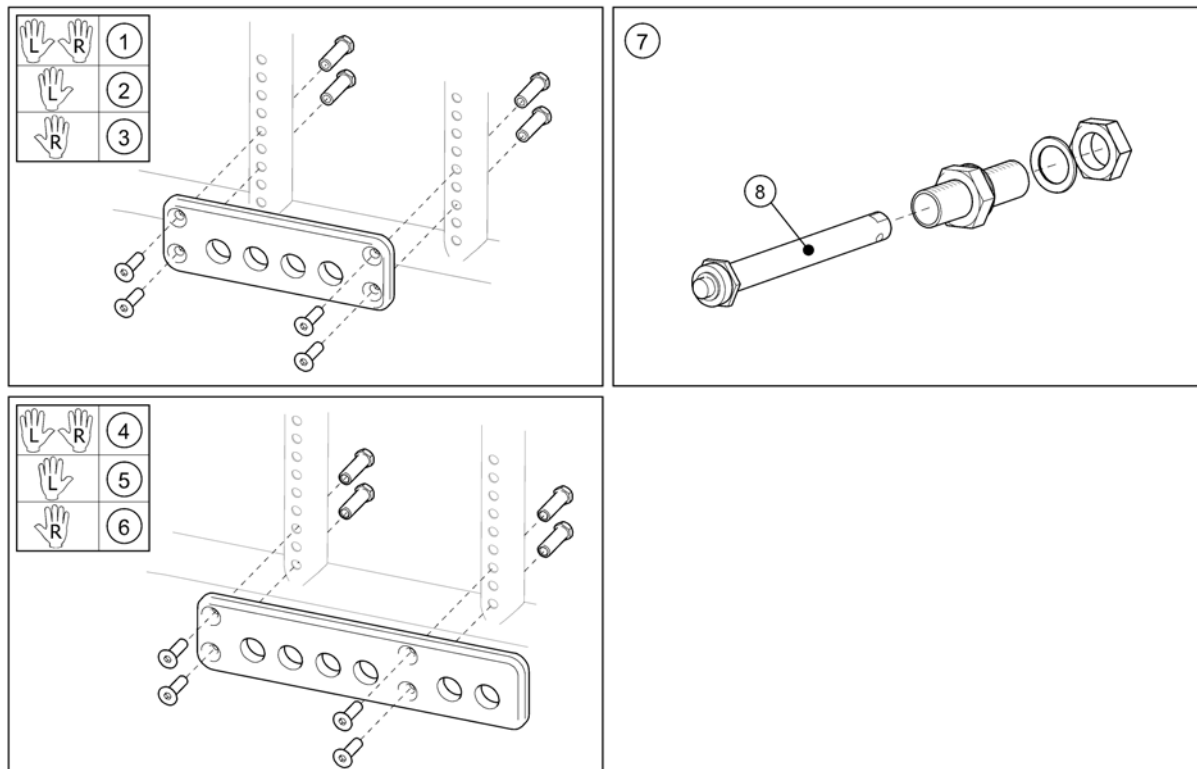
Chassis



Pos.	Part number	Description	Valid from → until	Qty
1	1518684	KIT, WIRE, BACKREST LOCKING, SW33, SWING		1
2	1524822	KIT, WIRE, BACKREST LOCKING, SW35.5, SWING		1
3	1524823	KIT, WIRE, BACKREST LOCKING, SW38, SWING		1
4	1524859	KIT, WIRE, BACKREST LOCKING, SW40.5, SWING		1
5	1524860	KIT, WIRE, BACKREST LOCKING, SW43, SWING		1
6	1524901	KIT, WIRE, BACKREST LOCKING, SW45.5, SWING		1
7	1524902	KIT, WIRE, BACKREST LOCKING, SW48, SWING		1
8	1512755	KIT, WIRE, BACKREST LOCKING, SW50.5, SWING		1
9	1512749	KIT, WIRE, BACKREST LOCKING, SW35.5		1
10	1512750	KIT, WIRE, BACKREST LOCKING, SW38		1
11	1512751	KIT, WIRE, BACKREST LOCKING, SW40.5		1
12	1512752	KIT, WIRE, BACKREST LOCKING, SW43		1
13	1512753	KIT, WIRE, BACKREST LOCKING, SW45.5		1
14	1512754	KIT, WIRE, BACKREST LOCKING, SW48		1
15	1512757	STOP BLOCK, HANGER		1
16	1512756	KIT, PLUGS, CHASSIS		1

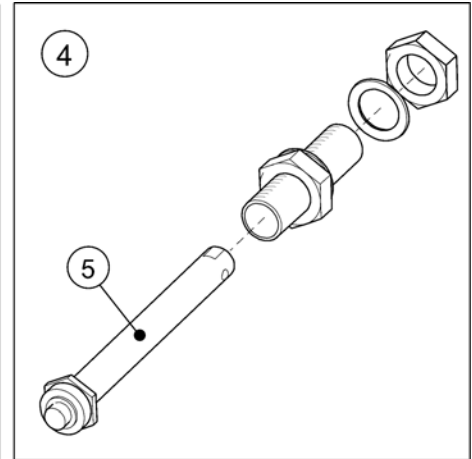
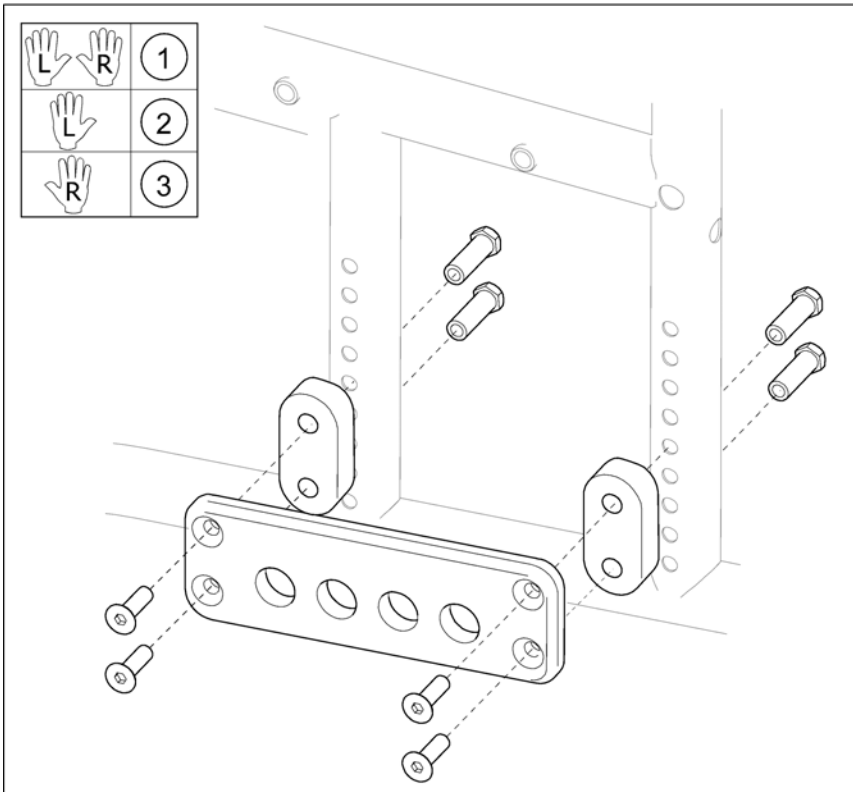
Rear wheel attachment

SPS1511596



Pos.	Part number	Description	Valid from → until	Qty
7	5750166	HUB CPL QR,MBL-TEKNIK		1
1	1511869	ATTACHMENT, REAR WHEEL, PAIR		1
2	1511596	ATTACHMENT, REAR WHEEL, LE, CPL		1
3	1511733	ATTACHMENT, REAR WHEEL, RI, CPL		1
4	1512236	ATTACHMENT, REAR WHEEL, EXTENDED, PAIR		1
5	1512018	ATTACHMENT, REAR WHEEL, EXTENDED, LE, CPL		1
6	1512221	ATTACHMENT, REAR WHEEL, EXTENDED, RI, CPL		1
8	5750165	Q/R Axle 12mm		1

Rear wheel attachment, 3° camber

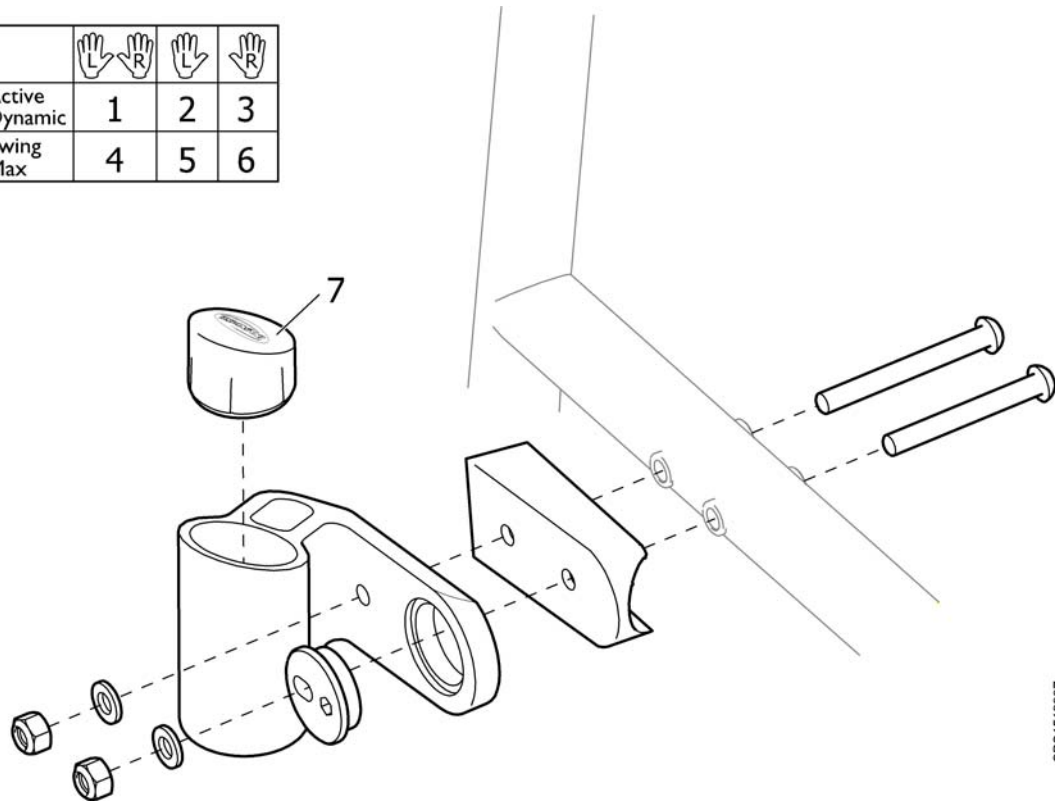


SPS1511900

Pos.	Part number	Description	Valid from → until	Qty
1	1511930	ATTACHMENT, REAR WHEEL, CAMBER, PAIR		1
2	1511900	ATTACHMENT, REAR WHEEL, CAMBER, LE, CPL		1
3	1511901	ATTACHMENT, REAR WHEEL, CAMBER, RI, CPL		1
4	5750166	HUB CPL QR,MBL-TEKNIK		1
5	5750165	Q/R Axle 12mm		1

Castor attachment

	L	R	L	R
XLT Active XLT Dynamic	1	2	3	
XLT Swing XLT Max	4	5	6	

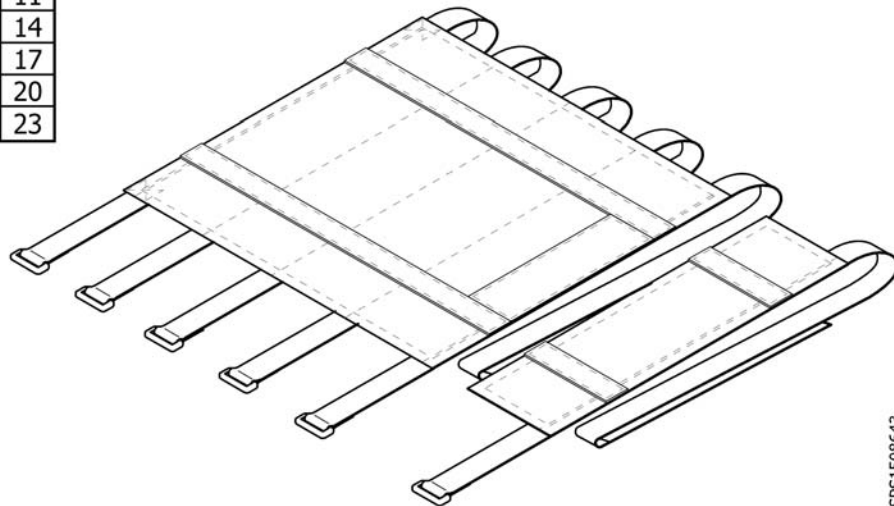


SPS1512237

Pos.	Part number	Description	Valid from → until	Qty
1	1512239	ATTACHMENT, CASTOR, PAIR (ACTIVE/DYNAMIC)		1
2	1512237	ATTACHMENT, CASTOR, LE, CPL. (ACTIVE/DYNAMIC)		1
3	1512238	ATTACHMENT, CASTOR, RI, CPL. (ACTIVE/DYNAMIC)		1
4	1512242	ATTACHMENT, CASTOR, PAIR, CPL (SWING)		1
5	1512240	ATTACHMENT, CASTOR, LE, CPL. (SWING)		1
6	1512241	ATTACHMENT, CASTOR, RI, CPL. (SWING)		1
7	1508352	PLUG, CASTOR HOUSING		1

Seat upholstery

SW (cm)	SD (cm)		
	40	45	50
33	1	2	-
35,5	3	4	5
38	6	7	8
40,5	9	10	11
43	12	13	14
45,5	15	16	17
48	18	19	20
50,5	21	22	23

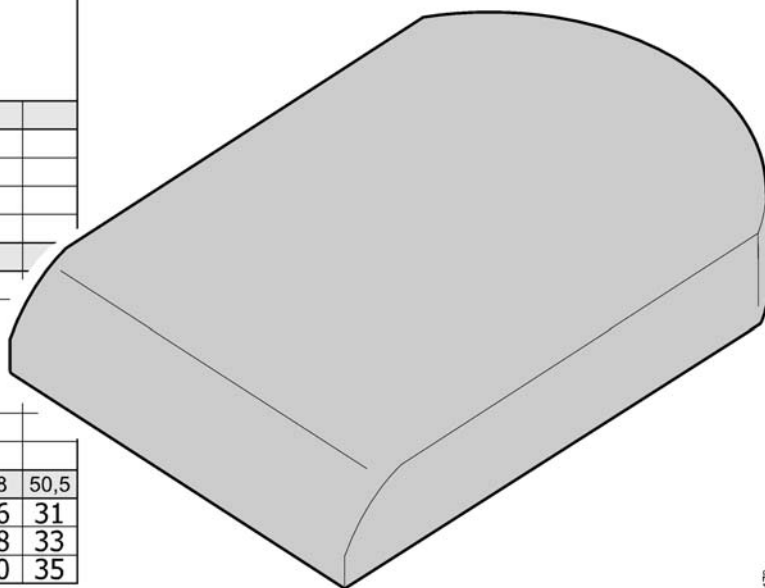


SPS1508643

Pos.	Part number	Description	Valid from → until	Qty
1	1518674	UPHOLSTERY, SEAT 33/40, CPL		1
2	1518675	UPHOLSTERY, SEAT 33/45, CPL		1
3	1512243	UPHOLSTERY, SEAT 35.5/40, CPL		1
4	1512498	UPHOLSTERY, SEAT 35.5/45, CPL		1
5	1512505	UPHOLSTERY, SEAT 35.5/50, CPL		1
6	1512244	UPHOLSTERY, SEAT 38/40, CPL		1
7	1512499	UPHOLSTERY, SEAT 38/45, CPL		1
8	1512506	UPHOLSTERY, SEAT 38/50, CPL		1
9	1512301	UPHOLSTERY, SEAT 40.5/40, CPL		1
10	1512500	UPHOLSTERY, SEAT 40.5/45, CPL		1
11	1512507	UPHOLSTERY, SEAT 40.5/50, CPL		1
12	1512389	UPHOLSTERY, SEAT 43/40, CPL		1
13	1512501	UPHOLSTERY, SEAT 43/45, CPL		1
14	1512529	UPHOLSTERY, SEAT 43/50, CPL		1
15	1512393	UPHOLSTERY, SEAT 45.5/40, CPL		1
16	1512502	UPHOLSTERY, SEAT 45.5/45, CPL		1
17	1512530	UPHOLSTERY, SEAT 45.5/50, CPL		1
18	1512496	UPHOLSTERY, SEAT 48/40, CPL		1
19	1512503	UPHOLSTERY, SEAT 48/45, CPL		1
20	1512547	UPHOLSTERY, SEAT 48/50, CPL		1
21	1512497	UPHOLSTERY, SEAT 50.5/40, CPL		1
22	1512504	UPHOLSTERY, SEAT 50.5/45, CPL		1
23	1512548	UPHOLSTERY, SEAT 50.5/50, CPL		1

Seat cushion

	SD (cm)		SW (cm)						
Focus	38	40,5	43	45,5	48	50,5			
Low chassis (TR18)	40	6	11	16	21	26	31		
Low chassis (TR32)	40	7	12	17	22	27	32		
High chassis (TR18)	45	8	13	18	23	28	33		
High chassis (TR32)	45	9	14	19	24	29	34		
Focus 150	53	55,5							
(TR18)	45	36	36						
(TR32)	45	37	37						
Spirea ² / Spirea ³	38	40,5	43	45,5	50,5				
(TR18)	40	6	11	16	21	31			
(TR32)	40	7	12	17	22	32			
(TR18)	45	8	13	18	23	33			
(TR32)	45	9	14	19	24	34			
Spin ^x / XLT 2008	33	35,5	38	40,5	43	45,5	48	50,5	
(TR18)	40	1	3	6	11	16	21	26	31
(TR18)	45	2	4	7	13	18	23	28	33
(TR18)	50	-	5	8	15	20	25	30	35



SP55103179

	Färg	Colour	Farbe	Couleur
TR18	jemima	jemima	Jemima	Jemima
TR32	plysch grå PRIMA	plush grey PRIMA	Plüsch grau PRIMA	velours gris PRIMA

Pos.	Part number	Description	Valid from → until	Qty
1	5226506-TR18	Seat Cushion 340x400, Jemima Black, Standard		1
2	5226507-TR18	Seat Cushion 340x450, Jemima Black, Standard		1
3	5104255-TR18	Seat Cushion 360x400, Jemima Black, Standard		1
4	5104257-TR18	Seat Cushion 360x450, Jemima Black, Standard		1
5	1512809	Seat Cushion 360x500, Jemima Black, Standard		1
6	5104317-TR18	Seat Cushion 380x400, Jemima Black, Standard		1
7	5104317-TR32	Seat Cushion 380x400, Jemima Black, Standard		1
8	5104319-TR18	Seat Cushion 380x450, Jemima Black, Standard		1
9	5104319-TR32	Seat Cushion 380x450, Plush Grey Prima, Standard		1
10	1495830	Seat Cushion 380x500, Jemima Black, Standard		1
11	5103179-TR18	Seat Cushion 410x400, Jemima Black, Standard		1
12	5103179-TR32	Seat Cushion 410x400, Plush Grey Prima, Standard		1
13	5104259-TR18	Seat Cushion 410x450, Jemima Black, Standard		1
14	5104259-TR32	Seat Cushion 410x450, Plush Grey Prima, Standard		1
15	1495831	Seat Cushion 410x500, Jemima Black, Standard		1
16	5104262-TR18	Seat Cushion 430x400, Jemima Black, Standard		1
17	5104262-TR32	Seat Cushion 430x400, Plush Grey Prima, Standard		1
18	5104264-TR18	Seat Cushion 430x450, Jemima Black, Standard		1
19	5104264-TR32	Seat Cushion 430x450, Plush Grey Prima, Standard		1
20	1495832	Seat Cushion 430x500, Jemima Black, Standard		1
21	5103180-TR18	Seat Cushion 460x400, Jemima Black, Standard		1
22	5103180-TR32	Seat Cushion 460x400, Plush Grey Prima, Standard		1
23	5104266-TR18	Seat Cushion 460x450, Jemima Black, Standard		1
24	5104266-TR32	Seat Cushion 460x450, Plush Grey Prima, standard		1
25	1495833	Seat Cushion 460x500, Jemima Black, Standard		1
26	5226509-TR18	Seat Cushion 480x400, Jemima Black, Standard		1
27	5226509-TR32	Seat Cushion 480x400, Plush Grey Prima, Standard		1
28	5226510-TR18	Seat Cushion 480x450, Jemima Black, Standard		1
29	5226510-TR32	Seat Cushion 480x450, Plush Grey Prima, Standard		1
30	1495834	Seat Cushion 480x500, Jemima Black, Standard		1
31	5104269-TR18	Seat Cushion 500x400, Jemima Black, Standard		1

Seat cushion

Pos.	Part number	Description	Valid from → until	Qty
32	5104269-TR32	Seat Cushion 500x400, Plush Grey Prima, Standard		1
33	5104271-TR18	Seat Cushion 500x450, Jemima Black, Standard		1
34	5104271-TR32	Seat Cushion 500x450, Plush Grey Prima, Standard		1
35	1495835	Seat Cushion 500x500, Jemima Black, Standard		1
36	1435429	Seat Cushion 530x450, Jemima Black, Standard		1
37	1435445	Seat Cushion 530x450, Plush Grey Prima, Standard		1

Backrest frame

SW(cm)	BH(cm)	A	BH(cm)	B
33	20	1	30-32	35
	25	2	35-39	36
	30	3	40-44	37
	35	4	45-49	38
35.5	20	5	30-32	39
	25	6	35-39	40
	30	7	40-44	41
38	20	9	30-32	43
	25	10	35-39	44
	30	11	40-44	45
40.5	20	13	30-32	47
	25	14	35-39	48
	30	15	40-44	49
	35	16	45-49	50
43	20	17	30-32	51
	25	18	35-39	52
	30	19	40-44	53
	35	20	45-49	54
45.5	20	21	30-32	55
	25	22	35-39	56
	30	23	40-44	57
	35	24	45-49	58
48	20	25	30-32	59
	25	26	35-39	60
	30	27	40-44	61
	35	28	45-49	62
50.5	20	29	30-32	63
	25	30	35-39	64
	30	31	40-44	65
	35	32	45-49	66

B

A

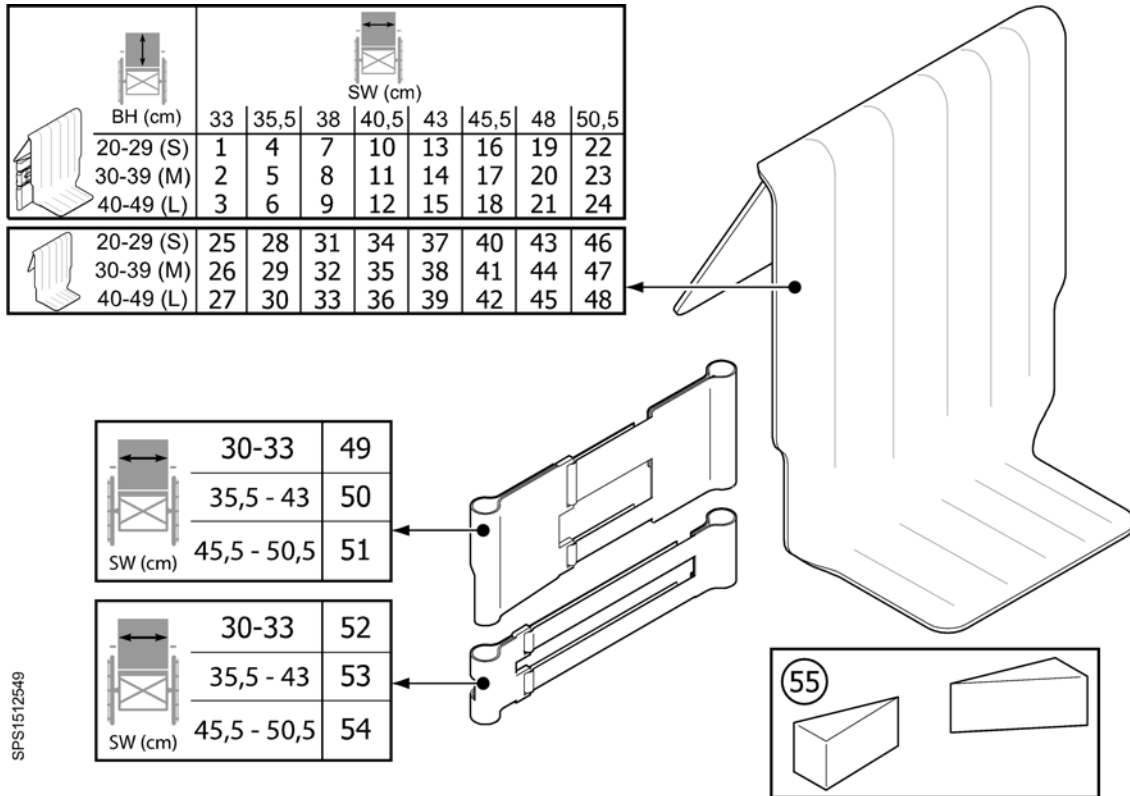
SPS1508744

Pos.	Part number	Description	Valid from → until	Qty
1	1518650	BACKREST 33/20, FIXED, CPL.		1
2	1518651	BACKREST 33/25, FIXED, CPL.		1
3	1518652	BACKREST 33/30, FIXED, CPL.		1
4	1518653	BACKREST 33/35, FIXED, CPL.		1
5	1508716	BACKREST 35.5/20, FIXED, CPL.		1
6	1508717	BACKREST 35.5/25, FIXED, CPL.		1
7	1508718	BACKREST 35.5/30, FIXED, CPL.		1
8	1508719	BACKREST 35.5/35, FIXED, CPL.		1
9	1508720	BACKREST 38/20, FIXED, CPL.		1
10	1508721	BACKREST 38/25, FIXED, CPL.		1
11	1508722	BACKREST 38/30, FIXED, CPL.		1
12	1508723	BACKREST 38/35, FIXED, CPL.		1
13	1508724	BACKREST 40.5/20, FIXED, CPL.		1
14	1508725	BACKREST 40.5/25, FIXED, CPL.		1
15	1508726	BACKREST 40.5/30, FIXED, CPL.		1
16	1508727	BACKREST 40.5/35, FIXED, CPL.		1
17	1508728	BACKREST 43/20, FIXED, CPL.		1
18	1508729	BACKREST 43/25, FIXED, CPL.		1
19	1508730	BACKREST 43/30, FIXED, CPL.		1
20	1508731	BACKREST 43/35, FIXED, CPL.		1
21	1508732	BACKREST 45.5/20, FIXED, CPL.		1
22	1508733	BACKREST 45.5/25, FIXED, CPL.		1
23	1508734	BACKREST 45.5/30, FIXED, CPL.		1
24	1508735	BACKREST 45.5/35, FIXED, CPL.		1
25	1508736	BACKREST 48/20, FIXED, CPL.		1
26	1508737	BACKREST 48/25, FIXED, CPL.		1
27	1508738	BACKREST 48/30, FIXED, CPL.		1
28	1508739	BACKREST 48/35, FIXED, CPL.		1
29	1508740	BACKREST 50.5/20, FIXED, CPL.		1
30	1508741	BACKREST 50.5/25, FIXED, CPL.		1
31	1508742	BACKREST 50.5/30, FIXED, CPL.		1

Backrest frame

Pos.	Part number	Description	Valid from → until	Qty
32	1508743	BACKREST 50.5/35, FIXED, CPL.		1
33	1511433	EXTENDER, BACKREST, SHORT CPL		1
34	1511435	EXTENDER, BACKREST, LONG CPL		1
35	1518654	BACKREST 33/30, HEIGHT ADJUSTABLE, CPL.		1
36	1518655	BACKREST 33/35, HEIGHT ADJUSTABLE, CPL.		1
37	1518656	BACKREST 33/40, HEIGHT ADJUSTABLE, CPL.		1
38	1518657	BACKREST 33/45, HEIGHT ADJUSTABLE, CPL.		1
39	1508744	BACKREST 35.5/30, HEIGHT ADJUSTABLE, CPL.		1
40	1508745	BACKREST 35.5/35, HEIGHT ADJUSTABLE, CPL.		1
41	1508746	BACKREST 35.5/40, HEIGHT ADJUSTABLE, CPL.		1
42	1508747	BACKREST 35.5/45, HEIGHT ADJUSTABLE, CPL.		1
43	1508748	BACKREST 38/30, HEIGHT ADJUSTABLE, CPL.		1
44	1508749	BACKREST 38/35, HEIGHT ADJUSTABLE, CPL.		1
45	1508750	BACKREST 38/40, HEIGHT ADJUSTABLE, CPL.		1
46	1511055	BACKREST 38/45, HEIGHT ADJUSTABLE, CPL.		1
47	1511056	BACKREST 40.5/30, HEIGHT ADJUSTABLE, CPL.		1
48	1511057	BACKREST 40.5/35, HEIGHT ADJUSTABLE, CPL.		1
49	1511086	BACKREST 40.5/40, HEIGHT ADJUSTABLE, CPL.		1
50	1511119	BACKREST 40.5/45, HEIGHT ADJUSTABLE, CPL.		1
51	1511350	BACKREST 43/30, HEIGHT ADJUSTABLE, CPL.		1
52	1511351	BACKREST 43/35, HEIGHT ADJUSTABLE, CPL.		1
53	1511352	BACKREST 43/40, HEIGHT ADJUSTABLE, CPL.		1
54	1511353	BACKREST 43/45, HEIGHT ADJUSTABLE, CPL.		1
55	1511354	BACKREST 45.5/30, HEIGHT ADJUSTABLE, CPL.		1
56	1511392	BACKREST 45.5/35, HEIGHT ADJUSTABLE, CPL.		1
57	1511393	BACKREST 45.5/40, HEIGHT ADJUSTABLE, CPL.		1
58	1511394	BACKREST 45.5/45, HEIGHT ADJUSTABLE, CPL.		1
59	1511410	BACKREST 48/30, HEIGHT ADJUSTABLE, CPL.		1
60	1511411	BACKREST 48/35, HEIGHT ADJUSTABLE, CPL.		1
61	1511412	BACKREST 48/40, HEIGHT ADJUSTABLE, CPL.		1
62	1511413	BACKREST 48/45, HEIGHT ADJUSTABLE, CPL.		1
63	1511415	BACKREST 50.5/30, HEIGHT ADJUSTABLE, CPL.		1
64	1511416	BACKREST 50.5/35, HEIGHT ADJUSTABLE, CPL.		1
65	1511424	BACKREST 50.5/40, HEIGHT ADJUSTABLE, CPL.		1
66	1511425	BACKREST 50.5/45, HEIGHT ADJUSTABLE, CPL.		1

Backrest body and cover



Pos.	Part number	Description	Valid from → until	Qty
1	1518668	UPHOLSTERY, BACKREST 33/30, CPL		1
2	1518669	UPHOLSTERY, BACKREST 33/40, CPL		1
3	1518670	UPHOLSTERY, BACKREST 33/50, CPL		1
4	1512549	UPHOLSTERY, BACKREST 35.5/30, CPL		1
5	1512562	UPHOLSTERY, BACKREST 35.5/40, CPL		1
6	1512563	UPHOLSTERY, BACKREST 35.5/50, CPL		1
7	1512593	UPHOLSTERY, BACKREST 38/30, CPL		1
8	1512604	UPHOLSTERY, BACKREST 38/40, CPL		1
9	1512605	UPHOLSTERY, BACKREST 38/50, CPL		1
10	1512606	UPHOLSTERY, BACKREST 40.5/30, CPL		1
11	1512628	UPHOLSTERY, BACKREST 40.5/40, CPL		1
12	1512629	UPHOLSTERY, BACKREST 40.5/50, CPL		1
13	1512630	UPHOLSTERY, BACKREST 43/30, CPL		1
14	1512631	UPHOLSTERY, BACKREST 43/40, CPL		1
15	1512632	UPHOLSTERY, BACKREST 43/50, CPL		1
16	1512633	UPHOLSTERY, BACKREST 45.5/30, CPL		1
17	1512634	UPHOLSTERY, BACKREST 45.5/40, CPL		1
18	1512653	UPHOLSTERY, BACKREST 45.5/50, CPL		1
19	1512654	UPHOLSTERY, BACKREST 48/30, CPL		1
20	1512655	UPHOLSTERY, BACKREST 48/40, CPL		1
21	1512656	UPHOLSTERY, BACKREST 48/50, CPL		1
22	1512657	UPHOLSTERY, BACKREST 50.5/30, CPL		1
23	1512658	UPHOLSTERY, BACKREST 50.5/40, CPL		1
24	1512659	UPHOLSTERY, BACKREST 50.5/50, CPL		1
25	1518659	COVER, BACKREST 33 S		1
26	1518660	COVER, BACKREST 33 M		1
27	1518661	COVER, BACKREST 33 L		1
28	1508587	COVER, BACKREST 35.5 S		1
29	1508594	COVER, BACKREST 35.5 M		1
30	1508601	COVER, BACKREST 35.5 L		1
31	1508588	COVER, BACKREST 38 S		1

Backrest body and cover

Pos.	Part number	Description	Valid from → until	Qty
32	1508595	COVER, BACKREST 38 M		1
33	1508602	COVER, BACKREST 38 L		1
34	1508589	COVER, BACKREST 40.5 S		1
35	1508596	COVER, BACKREST 40.5 M		1
36	1508603	COVER, BACKREST 40.5 L		1
37	1508590	COVER, BACKREST 43 S		1
38	1508597	COVER, BACKREST 43 M		1
39	1508604	COVER, BACKREST 43 L		1
40	1508591	COVER, BACKREST 45.5 S		1
41	1508598	COVER, BACKREST 45.5 M		1
42	1508605	COVER, BACKREST 45.5 L		1
43	1508592	COVER, BACKREST 48 S		1
44	1508599	COVER, BACKREST 48 M		1
45	1508606	COVER, BACKREST 48 L		1
46	1508593	COVER, BACKREST 50.5 S		1
47	1508600	COVER, BACKREST 50.5 M		1
48	1508607	COVER, BACKREST 50.5 L		1
49	1518068	BACKREST BODY 30-33.5, XLT		1
50	1508657	BACKREST BODY 35.5-43		1
51	1512730	BACKREST BODY 45.5-50.5		1
52	1518086	EXTENDER, BACKREST BODY 30-33.5		1
53	1508658	EXTENDER, BACKREST BODY 35.5-44		1
54	1512729	EXTENDER, BACKREST BODY 45.5-50.5		1
55	1513037	WEDGES, PAIR		1

Narrow Backrest

SW/BW (cm)	
35,5/30,5	1
38 / 33	2
40,5/35,5	3
43 / 38	4
45,5/40,5	5
48 / 43	6
50,5/45,5	7

SW (cm)	
35,5	8
38	9
40,5	10
43	11
45,5	12
48	13
50,5	14

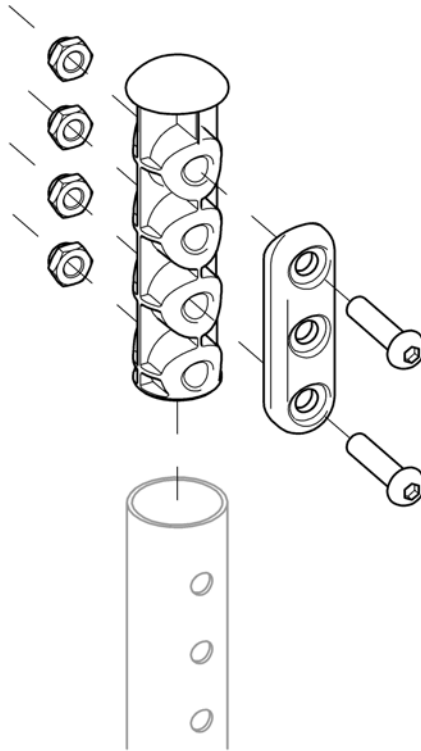
SW (cm)	35,5	38	40,5	43	45,5	48	50,5
15	15	16	17	18	19	20	21
22	22	22	23	23	23	23	24
25	25	25	26	26	26	26	27

SPS1516333

Pos.	Part number	Description	Valid from → until	Qty
1	1516333	BACKREST 35.5/35, NARROW BACK, CPL.		1
2	1516334	BACKREST 38/35, NARROW BACK, CPL.		1
3	1516335	BACKREST 40.5/35, NARROW BACK, CPL.		1
4	1516336	BACKREST 43/35, NARROW BACK, CPL.		1
5	1516337	BACKREST 45.5/35, NARROW BACK, CPL.		1
6	1516338	BACKREST 48/35, NARROW BACK, CPL.		1
7	1516339	BACKREST 50.5/35, NARROW BACK, CPL.		1
8	1517360	UPHOLSTERY, BACKRESTNARROW BACK, 35.5/40,CPL		1
9	1517361	UPHOLSTERY, BACKRESTNARROW BACK, 38/40,CPL		1
10	1517362	UPHOLSTERY, BACKRESTNARROW BACK, 40.5/40,CPL		1
11	1517363	UPHOLSTERY, BACKRESTNARROW BACK, 43/40,CPL		1
12	1517364	UPHOLSTERY, BACKRESTNARROW BACK, 45.5/40,CPL		1
13	1517365	UPHOLSTERY, BACKRESTNARROW BACK, 48/40,CPL		1
14	1517366	UPHOLSTERY, BACKRESTNARROW BACK, 50.5/40,CPL		1
15	1508594	COVER, BACKREST 35.5 M		1
16	1508595	COVER, BACKREST 38 M		1
17	1508596	COVER, BACKREST 40.5 M		1
18	1508597	COVER, BACKREST 43 M		1
19	1508598	COVER, BACKREST 45.5 M		1
20	1508599	COVER, BACKREST 48 M		1
21	1508600	COVER, BACKREST 50.5 M		1
22	1518068	BACKREST BODY 30-33.5, XLT		1
23	1508657	BACKREST BODY 35.5-43		1
24	1512730	BACKREST BODY 45.5-50.5		1
25	1518086	EXTENDER, BACKREST BODY 30-33.5		1
26	1508658	EXTENDER, BACKREST BODY 35.5-44		1
27	1512729	EXTENDER, BACKREST BODY 45.5-50.5		1

Backrest plug (no handles)

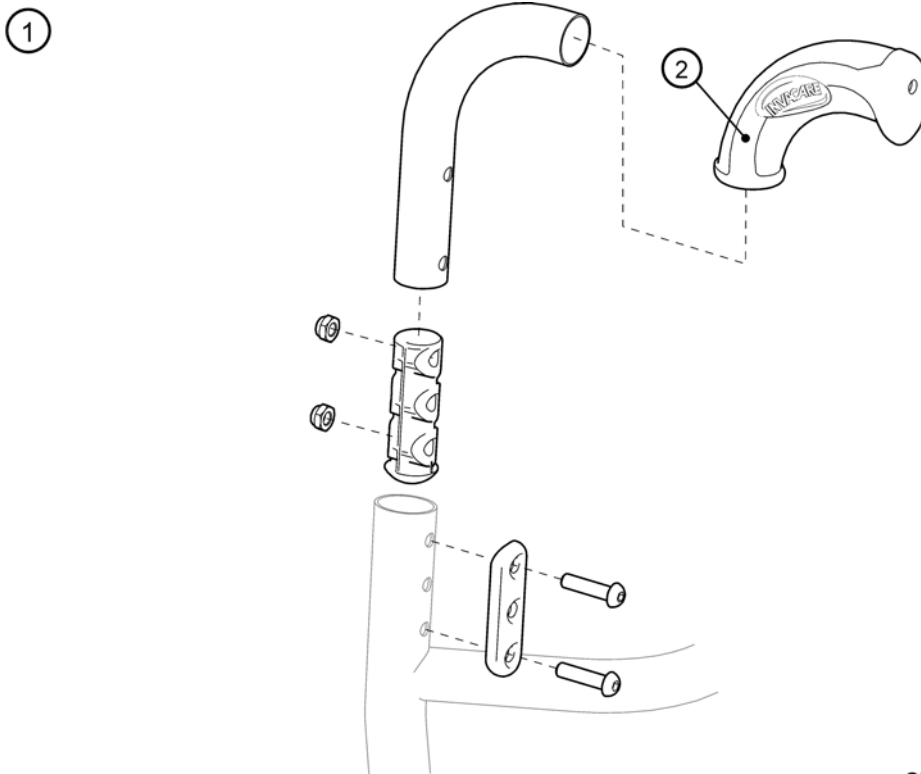
①



SPS1511473

Pos.	Part number	Description	Valid from → until	Qty
1	1511595	END PART, BACKREST, PAIR		1

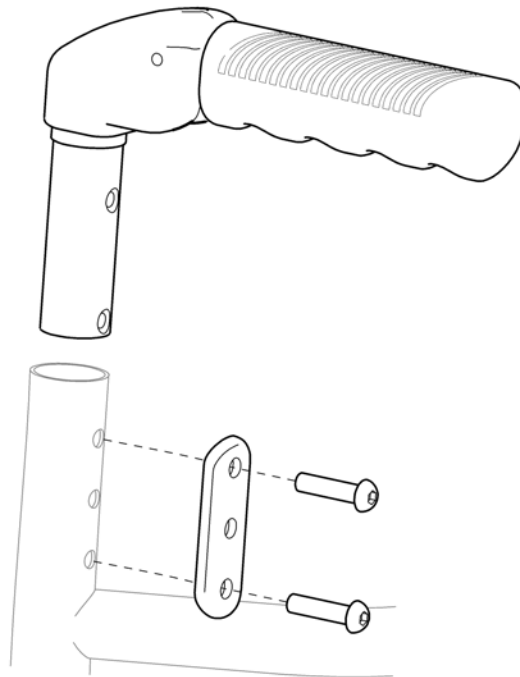
Push handles, Titanium



SPS1511454

Pos.	Part number	Description	Valid from → until	Qty
1	1511455	PUSH HANDLE, FIXED, CPL, PAIR		1
2	1435421	Poignee D22 Invacare 703 REA		1

1

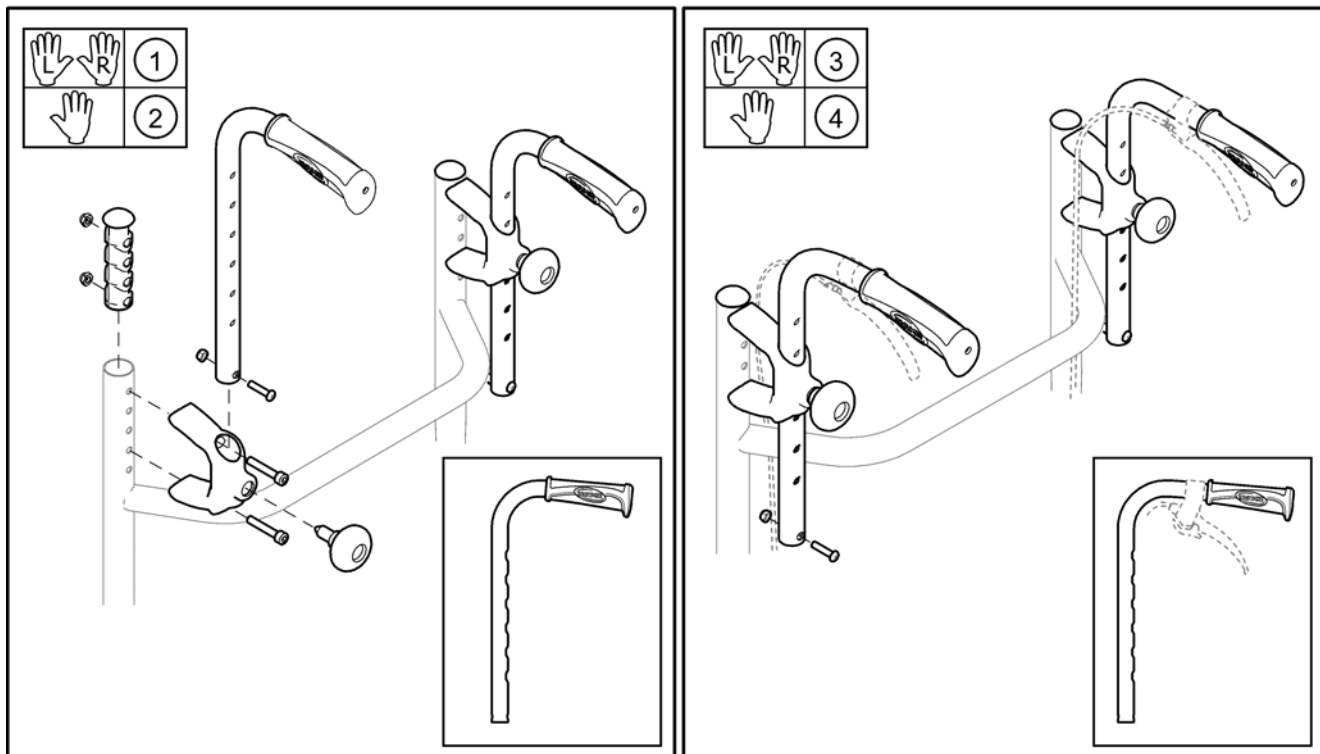


SPS1511456

Pos.	Part number	Description	Valid from → until	Qty
1	1511472	PUSH HANDLE, FOLDABLE, PAIR		1

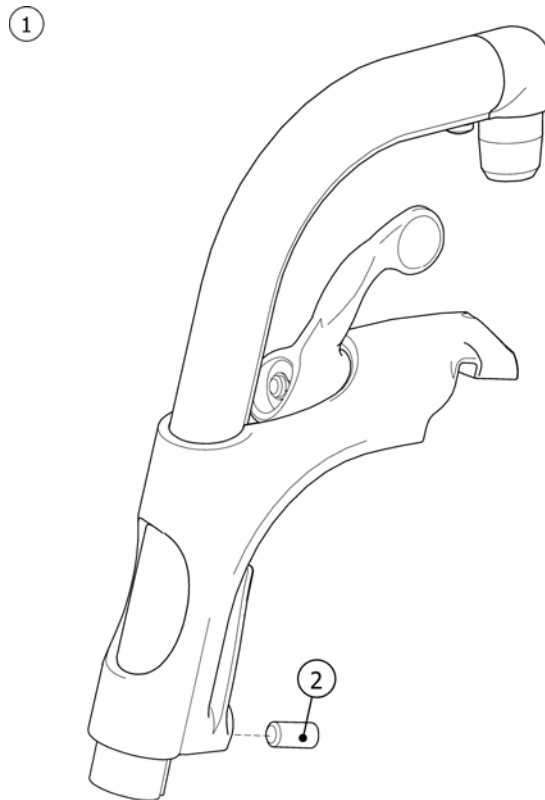
Push handles, external

SPS1512794



Pos.	Part number	Description	Valid from → until	Qty
1	1512795	PUSH HANDLE, 146X290, EXTERNAL, PAIR		1
2	1512794	PUSH HANDLE, 146X290, EXTERNAL, CPL		1
3	1512797	PUSH HANDLE, 206X290, EXTERNAL, PAIR		1
4	1512796	PUSH HANDLE, 206X290, EXTERNAL, CPL		1

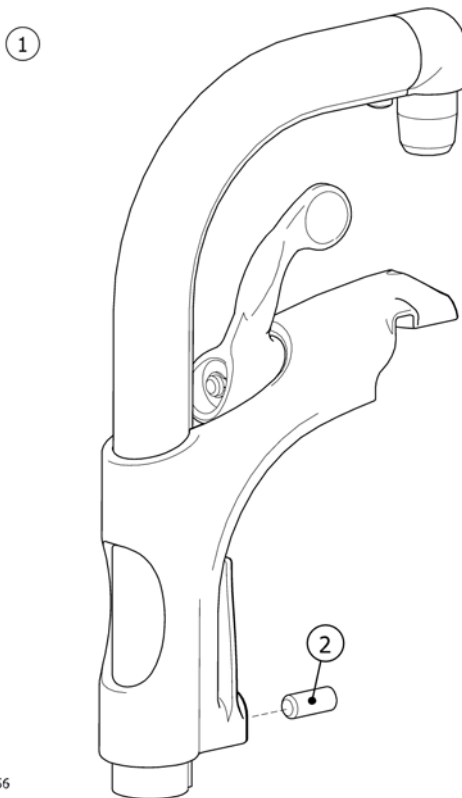
Legrest 80° Alu2003, Fixed



SF51493057

Pos.	Part number	Description	Valid from → until	Qty
1	1493055-0501	HANGER ALU2003, FIXED 80 DEG, RED		1
1	1493055-0507	HANGER ALU2003, FIXED 80 DEG, BLUE		1
1	1493055-0509	HANGER ALU2003, FIXED 80 DEG, CPL		1
1	1493055-0514	HANGER ALU2003, FIXED 80 DEG, ANTHRACITE BLACK		1
1	1493055-0515	HANGER ALU2003, FIXED 80 DEG, GREY		1
1	1493055-0517	HANGER ALU2003, FIXED 80 DEG, LIMEGREEN		1
1	1493055-0518	HANGER ALU2003, FIXED 80 DEG, ORANGE		1
2	1424571	VIS A BILLE M10X23		1

Legrest 90° Alu2003, Fixed

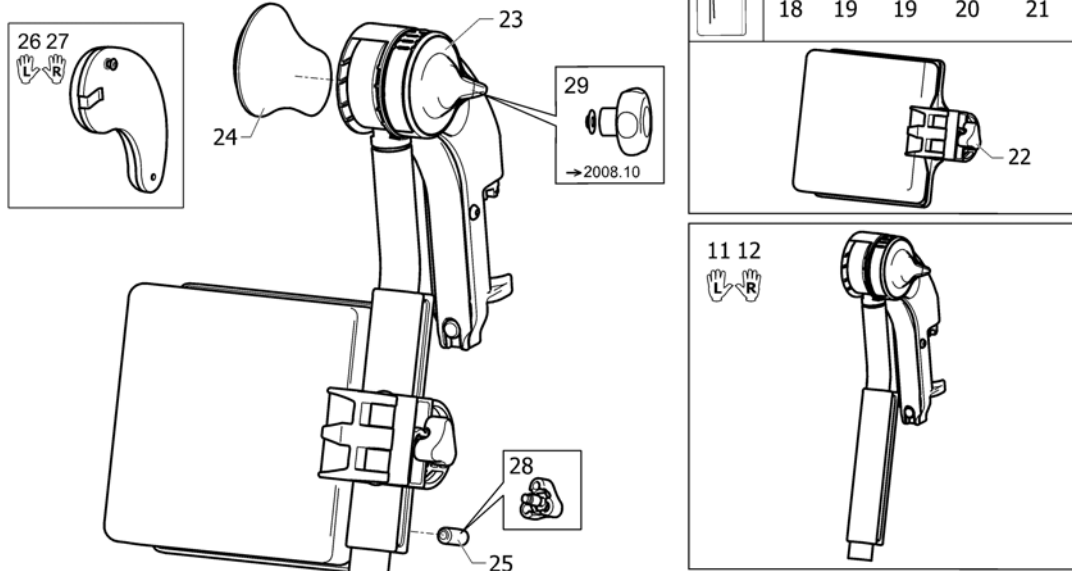


Pos.	Part number	Description	Valid from → until	Qty
1	1493056-0501	HANGER ALU2003, FIXED 90 DEG, RED		1
1	1493056-0507	HANGER ALU2003, FIXED 90 DEG, BLUE		1
1	1493056-0509	Potence 90° Noir		1
1	1493056-0514	HANGER ALU2003, FIXED 90 DEG, ANTHRACITE BLACK		1
1	1493056-0515	HANGER ALU2003, FIXED 90 DEG, GREY		1
1	1493056-0517	HANGER ALU2003, FIXED 90 DEG, LIMEGREEN		1
1	1493056-0518	HANGER ALU2003, FIXED 90 DEG, ORANGE		1
1	1424571	VIS A BILLE M10X23		1

Legrest AA

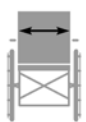
SW (cm)	35,5	38	40,5	43	45,5	48	50,5	53,5	55,5
Focus		3	3	5	5	7	7	9	9
Focus 150		4	4	6	6	8	8	10	10
Spirea ²		3	5	5	7	7			
Spirea ³		4	6	6	8	8			
Spin ^x	1	3	5	5	7	7	9		
XLT swing	2	4	6	6	8	8	10		

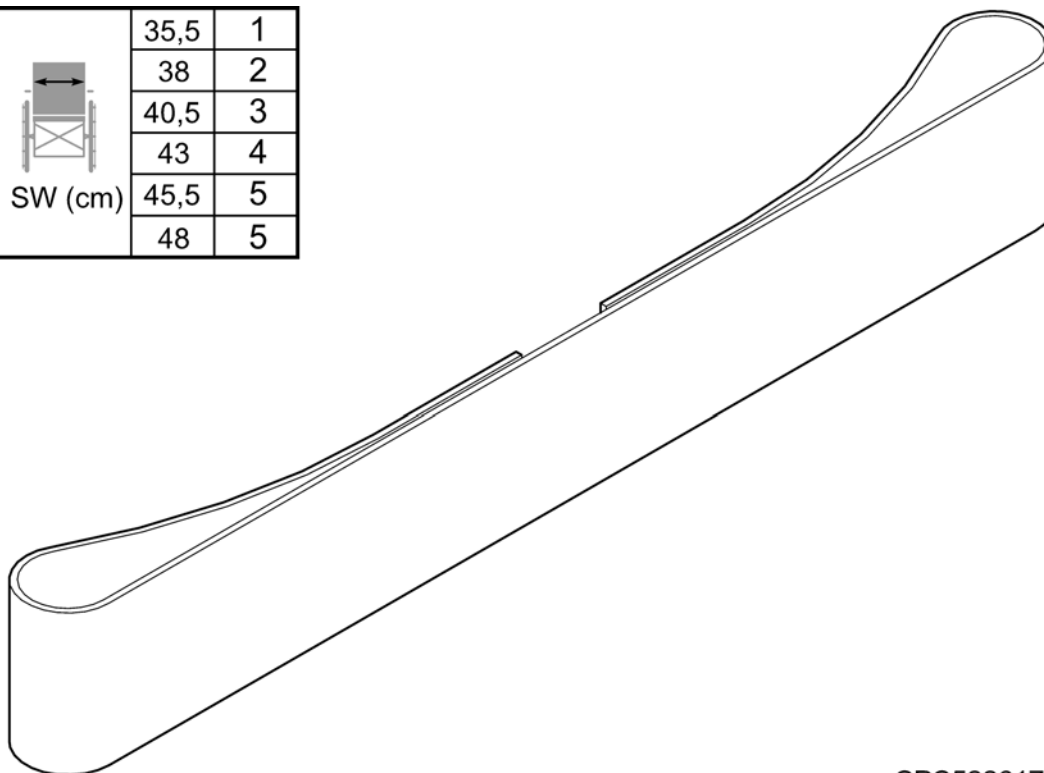
SW (cm)	35,5	38	40,5-43	45,5-48	50,5
Focus, Focus 150			38-40,5	43-45,5	48-50,5
Spirea ² , Spirea ³			38	40,5-43	45,5-50,5
Spin ^x , XLT swing					
	13	14	15	16	17
	18	19	19	20	21



Pos.	Part number	Description	Valid from → until	Qty
1	1524990	HANGER (+ CALFPAD 10), LE, ALU2008 LEGREST		1
2	1524991	HANGER (+ CALFPAD 10), RI, ALU2008 LEGREST		1
3	1524992	HANGER (+ CALFPAD 11.5), LE, ALU2008 LEGREST		1
4	1524993	HANGER (+ CALFPAD 11.5), RI, ALU2008 LEGREST		1
5	1524994	HANGER (+ CALFPAD 12), LE, ALU2008 LEGREST		1
6	1524995	HANGER (+ CALFPAD 12), RI, ALU2008 LEGREST		1
7	1525027	HANGER (+ CALFPAD 15), LE, ALU2008 LEGREST		1
8	1525028	HANGER (+ CALFPAD 15), RI, ALU2008 LEGREST		1
9	1525029	HANGER (+ CALFPAD 18), LE, ALU2008 LEGREST		1
10	1525030	HANGER (+ CALFPAD 18), RI, ALU2008 LEGREST		1
11	1508945	Repose-jambe gauche ajustable		1
12	1508948	Repose-jambe droit ajustable		1
13	1518616	Calf Support 10		1
14	1518617	Calf Support 11.5		1
15	1518531	Calf Support 12		1
16	1518532	Calf Support 15		1
17	1518533	Calf Support 18		1
18	5106406	Pad, Calf Support 10		1
19	5104185	Pad, Calf Support 12		1
20	5104186	Pad, Calf Support 15		1
21	5104187	Pad, Calf Support 18		1
22	1429215	HANDWHEEL M8		1
23	1508943	Molette réglage inclinai nvl version repose jambe		1
24	1428336	MOUSSE PROTEGE GENOU		1
25	1424571	VIS A BILLE M10X23		1
26	1445811	KNEEPAD (INCL SCREW), LE, AA LEGREST ALU2003		1
27	1445812	KNEEPAD (INCL SCREW), RI, AA LEGREST ALU2003		1
28	1429326	HANDWHEEL M10, SPRING		1
29	1430428	KNOB (ALU2003)		1

Calf strap

 SW (cm)	35,5	1
	38	2
	40,5	3
	43	4
	45,5	5
	48	5

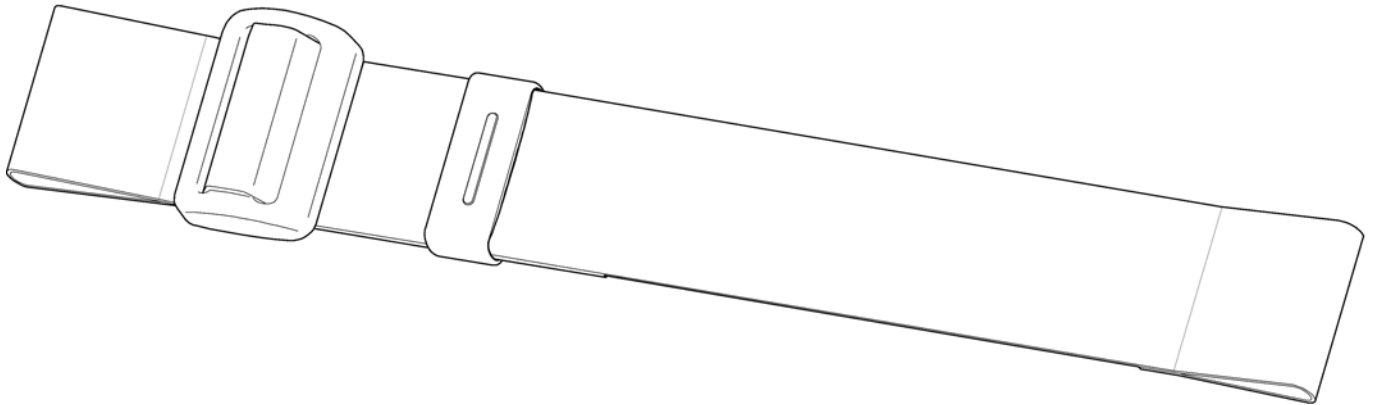


SPS5226176

Pos.	Part number	Description	Valid from → until	Qty
1	5226176	CALFSTRAP 355		1
2	5226177	CALFSTRAP 380		1
3	5226178	CALFSTRAP 405		1
4	5226179	CALFSTRAP 430		1
5	5226501	CALFSTRAP 455		1




Calf strap, Alu2003 legrest

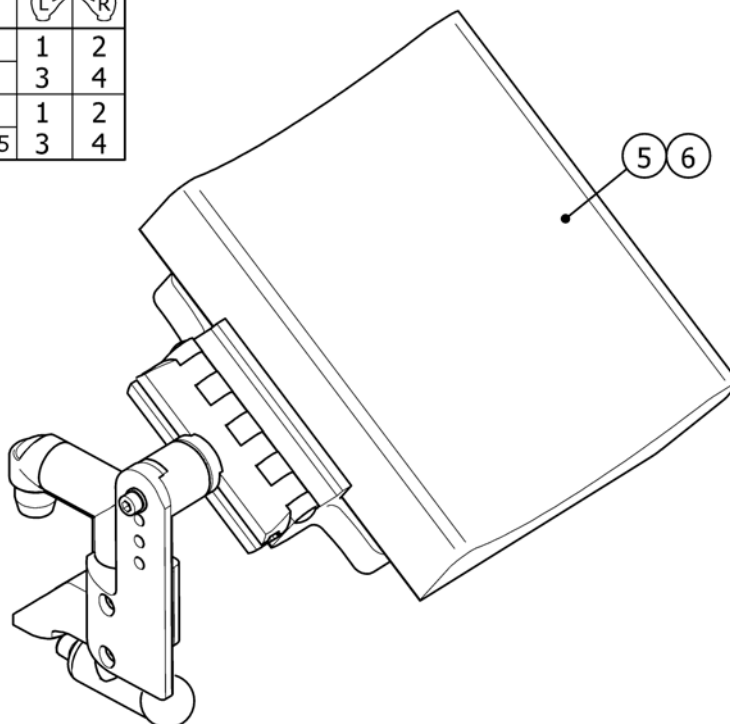
SPS1429214



Pos.	Part number	Description	Valid from → until	Qty
	1429214	CALFSTRAP, "ALU2003" HANGER		1

Amputee legrest, Alu2003

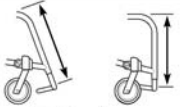
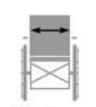
	 SW (cm)	 L	 R
<i>Focus, Focus I 50</i>	38-45,5	1	2
	48-55,5	3	4
<i>Spirea², Spirea³</i>	38-43	1	2
<i>Spin^x, XLT swing</i>	45,5-50,5	3	4



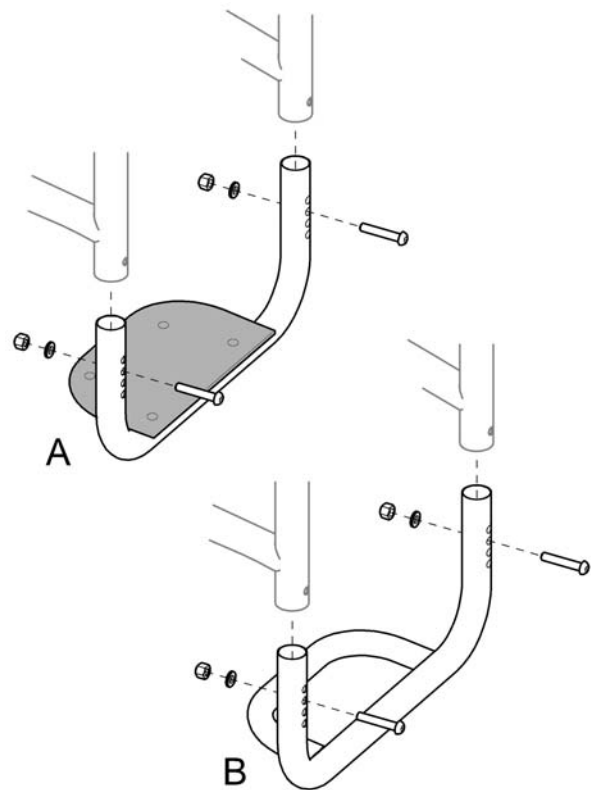
SPS1429191

Pos.	Part number	Description	Valid from → until	Qty
1	1429192-0509	AMP, LEGREST ALU 2003 160X55X220 CPL, LE, TR18		1
2	1429191-0509	AMP, LEGREST ALU 2003 160X55X220 CPL, RI, TR18		1
3	1429211-0509	AMP, LEGREST ALU 2003 190X55X220 CPL, LE, TR18		1
4	1429212-0509	AMP, LEGREST ALU 2003 190X55X220 CPL, RI, TR18		1
5	5104667	CUSHION AMP. 160X55X220 WITH ATTACHMENT, TR 18		1
6	5104668	CUSHION AMP. 190X55X220 WITH ATTACHMENT, TR 18		1

Footbow

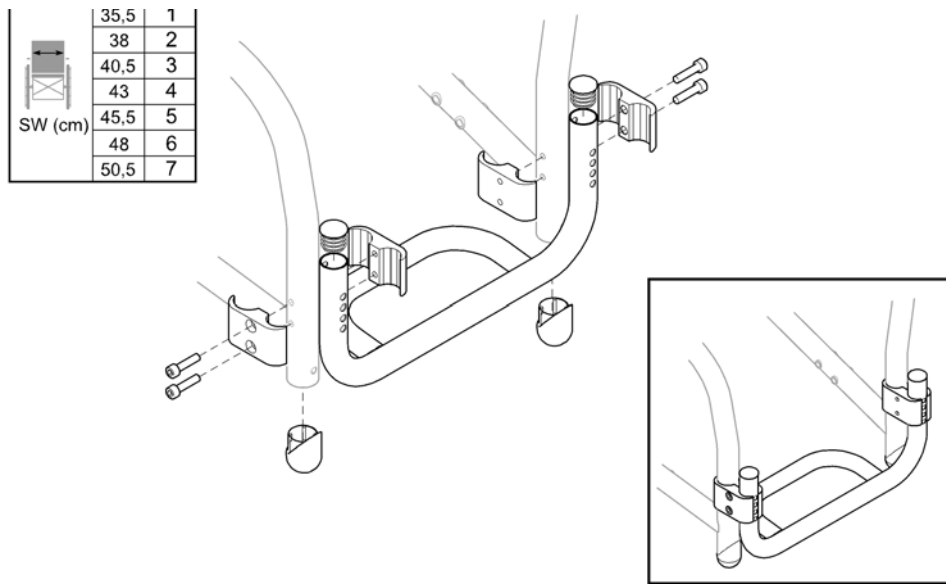
 UL (cm)	 SW (cm)	A	B
38-40 XLT Active 36-38 XLT Dynamic	35,5	1	13
	38	2	14
	40,5	3	15
	43	4	16
	45,5	5	17
41-48 XLT Active 39-45 XLT Dynamic	48	6	18
	35,5	7	19
	38	8	20
	40,5	9	21
	43	10	22
	45,5	11	23
	48	12	24

SPS1512671



Pos.	Part number	Description	Valid from → until	Qty
1	1516932	FOOTBOW 35.5 WITH COVER, LOW, CPL		1
2	1517033	FOOTBOW 38 WITH COVER, LOW, CPL		1
3	1517034	FOOTBOW 40.5 WITH COVER, LOW, CPL		1
4	1517035	FOOTBOW 43 WITH COVER, LOW, CPL		1
5	1517036	FOOTBOW 45.5 WITH COVER, LOW, CPL		1
6	1517037	FOOTBOW 48 WITH COVER, LOW, CPL		1
7	1517091	FOOTBOW 35.5 WITH COVER, HIGH, CPL		1
8	1517104	FOOTBOW 38 WITH COVER, HIGH, CPL		1
9	1517105	FOOTBOW 40.5 WITH COVER, HIGH, CPL		1
10	1517106	FOOTBOW 43 WITH COVER, HIGH, CPL		1
11	1517107	FOOTBOW 45.5 WITH COVER, HIGH, CPL		1
12	1517108	FOOTBOW 48 WITH COVER, HIGH, CPL		1
13	1512671	FOOTBOW 35.5, LOW, CPL		1
14	1512672	FOOTBOW 38, LOW, CPL		1
15	1512673	FOOTBOW 40.5, LOW, CPL		1
16	1512674	FOOTBOW 43, LOW, CPL		1
17	1512675	FOOTBOW 45.5, LOW, CPL		1
18	1512676	FOOTBOW 48, LOW, CPL		1
19	1512677	FOOTBOW 35.5, HIGH, CPL		1
20	1512678	FOOTBOW 38, HIGH, CPL		1
21	1512679	FOOTBOW 40.5, HIGH, CPL		1
22	1512680	FOOTBOW 43, HIGH, CPL		1
23	1512681	FOOTBOW 45.5, HIGH, CPL		1
24	1512682	FOOTBOW 48, HIGH, CPL		1

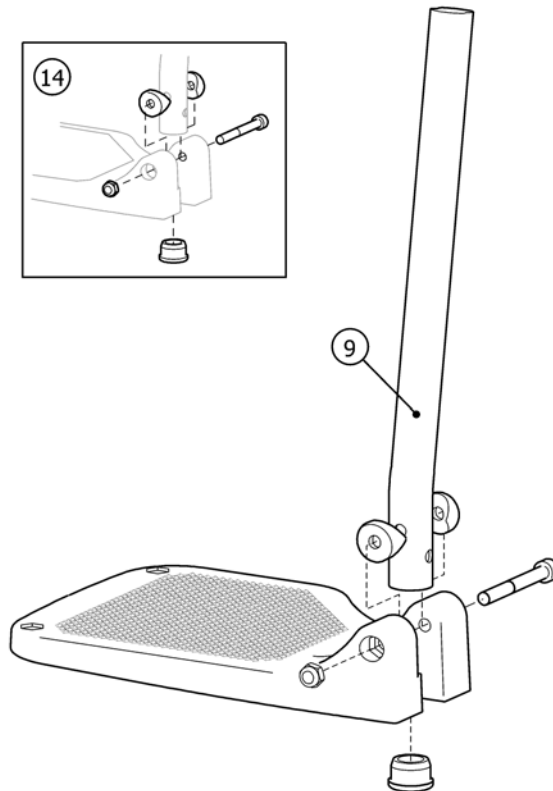
Footrest, high mounted



Pos.	Part number	Description	Valid from → until	Qty
1	1512692	FOOTREST 35.5, HIGH, CPL		1
2	1512693	FOOTREST 38, HIGH, CPL		1
3	1512694	FOOTREST 40.5, HIGH, CPL		1
4	1512758	FOOTREST 43, HIGH, CPL		1
5	1512759	FOOTREST 45.5, HIGH, CPL		1
6	1512760	FOOTREST 48, HIGH, CPL		1

Footrest, fixed, Alu2003

Rea Assist			
40 - 50	2	6	11
45 - 55	3	7	12
Rea Azalea			
34 - 39	2	6	11
44	3	7	12
49 - 59	4	8	13
Rea Bellis			
S (39-43)	2	6	11
M (44-48)	3	7	12
L (49-53)	4	8	13
Rea Comfort			
39	2	6	11
44	3	7	12
49	4	8	13
Rea Clematis			
39	1	5	10
44	2	6	11
49	3	7	12
Rea Focus			
38	1	5	10
43	2	6	11
48-55.5	3	7	12
Spin^X, XLT Swing, Rea Spirea²			
38-40.5	1	5	10
43-45.5	2	6	11
48-50.5	3	7	12

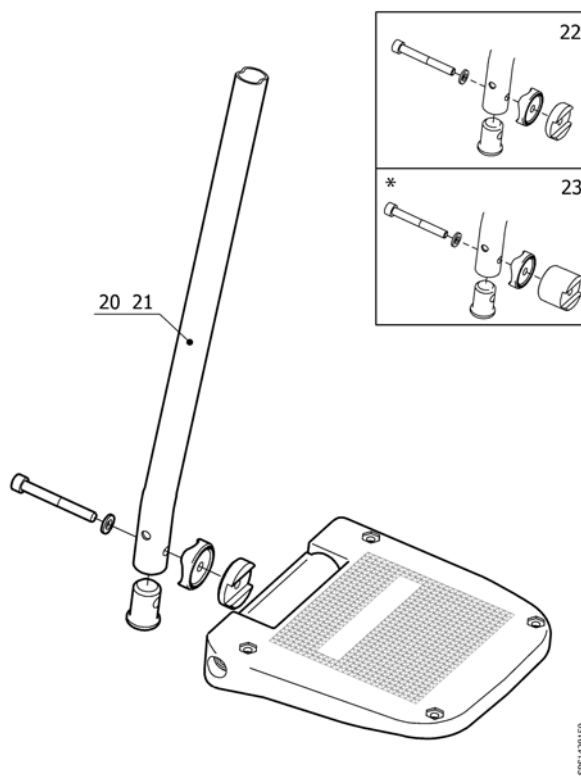


15P51424582

Pos.	Part number	Description	Valid from → until	Qty
1	1428357	FOOTREST 19, "ALU2003", FIXED, SHORT, LEFT		1
1	1428358	FOOTREST 19, "ALU2003", FIXED, SHORT, RIGHT		1
2	1428361	FOOTREST 21ALU2003,LOWER PART,FIXED,SHORT,LEFT		1
2	1428362	FOOTREST 21ALU2003,LOWER PART,FIXED,SHORT,RIGHT		1
3	1428365	FOOTREST 24ALU2003,LOWER PART,FIXED,SHORT,LEFT		1
3	1428366	FOOTREST 24ALU2003,LOWER PART,FIXED,SHORT,RIGHT		1
4	1435756	FOOTREST 27ALU2003,LOWER PART,FIXED,SHORT,LEFT		1
4	1435757	FOOTREST 27ALU2003,LOWER PART,FIXED,SHORT,RIGHT		1
5	1428359	FOOTREST 19, "ALU2003", FIXED, LONG, LEFT		1
5	1428360	FOOTREST 19, "ALU2003", FIXED, LONG, RIGHT		1
6	1428363	FOOTREST 21ALU2003,LOWER PART,FIXED,LONG,LEFT		1
6	1428364	FOOTREST 21ALU2003,LOWER PART,FIXED,LONG,RIGHT		1
7	1428367	FOOTREST 24ALU2003,LOWER PART,FIXED,LONG,LEFT		1
7	1428368	FOOTREST 24ALU2003,LOWER PART,FIXED,LONG,RIGHT		1
8	1435659	FOOTREST 27ALU2003,LOWER PART,FIXED,LONG,LEFT		1
8	1435660	FOOTREST 27ALU2003,LOWER PART,FIXED,LONG,RIGHT		1
9	1434561-0010	TUBE PORTE PALETTE COURT CATAPHORESE ACTION 3		1
9	1434563-0010	TUBE PORTE PALETTE LONG CATAPHORESE ACTION 3		1
10	1428340	FOOTPLATE 19, LEFT		1
10	1428341	FOOTPLATE 19, RIGHT		1
11	1424574	FOOTPLATE 21, LEFT		1
11	1424575	FOOTPLATE 21, RIGHT		1
12	1428346	FOOTPLATE 24, LEFT		1
12	1428347	FOOTPLATE 24, RIGHT		1
13	1428374	FOOTPLATE 26, LEFT		1
13	1428375	FOOTPLATE 26, RIGHT		1
14	1430433	KIT VISSERIE R-P		1

Footrest, AA, Alu2003

cm	24 cm	36cm	
Rea Assist			
40 - 50	2	9	16
45 - 55	4	11	19
Rea Azalea			
34 - 39	4	11	19
44	5	12	18
49	6*	13*	19
54	7*	14*	18
59	7*	14*	18
Rea Bellis			
S (39-43)	5	12	18
M (44-48)	7*	14*	18
L (49-53)	7*	14*	18
Rea Comfort			
39	4	11	19
44	5	12	18
49	6	13	19
Rea Clematis			
39	3	10	17
44	5	12	18
49	7*	14*	18
Rea Focus			
38	2	9	16
43	4	11	19
48	6*	13*	19
Spin^x, XLT Swing, Rea Spirea², Rea Spirea³			
33	1	8	15
35.5	1	8	15
38-40.5	2	9	16
43-45.5	4	11	19
48	6*	13*	19
50.5	7*	14*	18



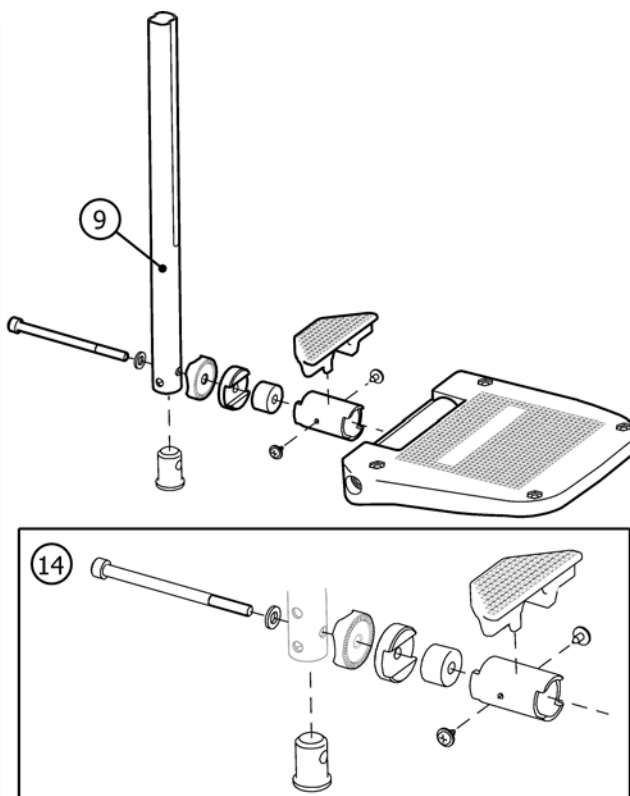
SFS1429159

Pos.	Part number	Description	Valid from → until	Qty
1	1485430	FOOTREST 12 SHORT, LE, "ALU2003"		1
1	1485524	FOOTREST 12 SHORT, RI, "ALU2003"		1
2	1429159	FOOTREST 14 AA, "ALU2003", SHORT, LEFT		1
2	1429160	FOOTREST 14 AA, "ALU2003", SHORT, RIGHT		1
3	1429161	FOOTREST 16 AA, "ALU2003", SHORT, LEFT		1
3	1429162	FOOTREST 16 AA, "ALU2003", SHORT, RIGHT		1
4	1429163	FOOTREST 17 AA, "ALU2003", SHORT, LEFT		1
4	1429164	FOOTREST 17 AA, "ALU2003", SHORT, RIGHT		1
5	1429165	FOOTREST 18ALU2003,LOWER PART,AA,SHORT,LEFT		1
5	1429166	FOOTREST 18ALU2003,LOWER PART,AA,SHORT,RIGHT		1
6	1429167	FOOTREST 19 AA, "ALU2003", SHORT, LEFT		1
6	1429168	FOOTREST 19 AA, "ALU2003", SHORT, RIGHT		1
7	1429169	FOOTREST 20 ALU2003,LOWER PART,AA,SHORT,LEFT		1
7	1429170	FOOTREST 20ALU2003,LOWER PART,AA,SHORT,RIGHT		1
8	1485428	FOOTREST 12 LONG, LE, "ALU2003"		1
8	1485429	FOOTREST 12 LONG, RI, "ALU2003"		1
9	1429171	FOOTREST 14 AA, "ALU2003", LONG, LEFT		1
9	1429172	FOOTREST 14 AA, "ALU2003", LONG, RIGHT		1
10	1429173	FOOTREST 16 AA, "ALU2003", LONG, LEFT		1
10	1429174	FOOTREST 16 AA, "ALU2003", LONG, RIGHT		1
11	1429175	FOOTREST 17 AA, "ALU2003", LONG, LEFT		1
11	1429176	FOOTREST 17 AA, "ALU2003", LONG, RIGHT		1
12	1429177	FOOTREST 18ALU2003,LOWER PART,AA,LONG,LEFT		1
12	1429178	FOOTREST 18ALU2003, LOWER PART,AA,LONG,RI		1
13	1429179	FOOTREST 19 AA, "ALU2003", LONG, LEFT		1
13	1429180	FOOTREST 19 AA, "ALU2003", LONG, RIGHT		1
14	1429181	FOOTREST 20 ALU2003, LOWER PART,AA,LONG,LEFT		1
14	1429182	FOOTREST 20 ALU2003,LOWER PART,AA,LONG,RIGHT		1
15	5106372	FOOTPLATE 12 AA, CPL.		1
16	5106374	Palette size 141 régl. en angle et profondeur		1
17	5106375	Palette size 156 régl. en angle et profondeur		1

Pos.	Part number	Description	Valid from → until	Qty
18	5106376	Palette size 176 régl. en angle et profondeur		1
19	5106594	PALETTE 48 ADAPT		1
20	1434561-0010	TUBE PORTE PALETTE COURT CATAPHORESE ACTION 3		1
21	1434563-0010	TUBE PORTE PALETTE LONG CATAPHORESE ACTION 3		1
22	1430839	Kit visserie R-P 38/45,5 régl.		1
23	1430840	Kit visserie R-P 48/50,5 régl.		1

Footrest 90°, Alu2003


<i>Rea Assist</i>			
40 - 50	2	6	11
45 - 55	3	7	12
<i>Rea Bellis</i>			
S (39 - 43)	2	6	11
M (44 - 48)	3	7	12
L (49 - 53)	4	8	13
<i>Rea Azalea, Rea Comfort</i>			
34-39	2	6	11
44	3	7	12
49	4	8	13
<i>Rea Clematis</i>			
39	1	5	10
44	2	6	11
49	3	7	12
<i>Rea Focus</i>			
38	1	5	10
43	2	6	11
48	3	7	12
<i>SpinX, XLT Swing, Rea Spirea²</i>			
38 - 40,5	1	5	10
43 - 45,5	2	6	11
48 - 50,5	3	7	12

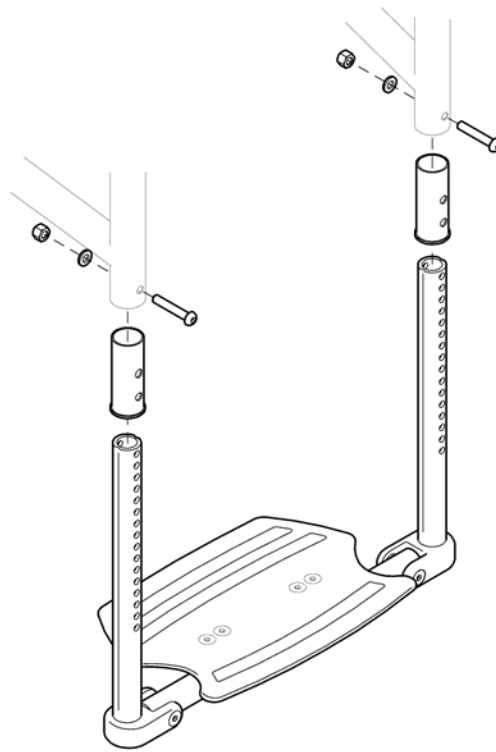


Pos.	Part number	Description	Valid from → until	Qty
1	1446130	FOOTREST 11 AA, 90° "ALU2003", SHORT, LEFT		1
1	1446131	FOOTREST 11 AA, 90° "ALU2003", SHORT, RIGHT		1
2	1446132	FOOTREST LOWER PART 13, AA, FOOTR. 90, SHORT, LH		1
2	1446133	FOOTREST LOWER PART 13, AA, FOOTR. 90, SHORT, RH		1
3	1446134	FOOTREST LOWER PART 16, AA, FOOTR. 90, SHORT, LH		1
3	1446135	FOOTREST LOWER PART 16, AA, FOOTR. 90, SHORT, RH		1
4	1446159	FOOTREST LOWER PART 18, AA, FOOTR. 90, SHORT, LH		1
4	1446160	FOOTREST LOWER PART 18, AA, FOOTR. 90, SHORT, RH		1
5	1446136	FOOTREST 11 AA, 90° "ALU2003", LONG, LEFT		1
5	1446137	FOOTREST 11 AA, 90° "ALU2003", LONG, RIGHT		1
6	1446138	FOOTREST LOWER PART 13, AA, FOOTR. 90, LONG, LH		1
6	1446139	FOOTREST LOWER PART 13, AA, FOOTR. 90, LONG, RH		1
7	1446140	FOOTREST LOWER PART 16, AA, FOOTR. 90, LONG, LH		1
7	1446141	FOOTREST LOWER PART 16, AA, FOOTR. 90, LONG, RH		1
8	1446161	FOOTREST LOWER PART 18, AA, FOOTR. 90, LONG, LH		1
8	1446162	FOOTREST LOWER PART 18, AA, FOOTR. 90, LONG, RH		1
9	1440035	TUBE, LEGREST, LONG (346)		1
9	1446094	TUBE, LEGREST, SHORT (221)		1
10	5106371	FOOTPLATE 11 AA, CPL.		1
11	5106373	FOOTPLATE 13 AA, CPL.		1
12	5106375	Palette size 156 régl. en angle et profondeur		1
13	5106376	Palette size 176 régl. en angle et profondeur		1
14	1497913	SCREW KIT FOOTREST 90 ALU 2004		1

Footrest one-piece, flip-up

SPS1512689

	
SW (cm)	
38	①
40,5 - 43	②
45,5 - 48	③



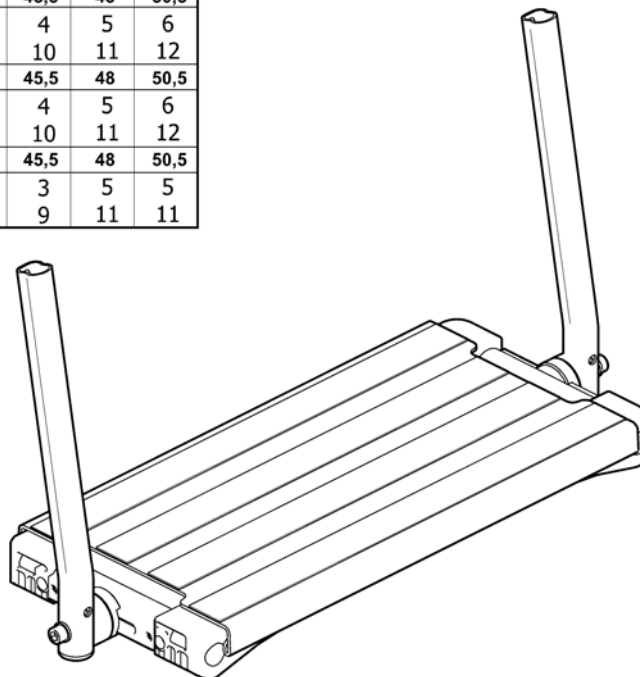
XLT active/dynamic

Pos.	Part number	Description	Valid from → until	Qty
1	1512689	FOOTREST 35.5-38, ONE-PIECE, CPL		1
2	1512690	FOOTREST 40.5-43, ONE-PIECE, CPL		1
3	1512691	FOOTREST 45.5-48, ONE-PIECE, CPL		1

Footrest one piece 80°

SPS1496945

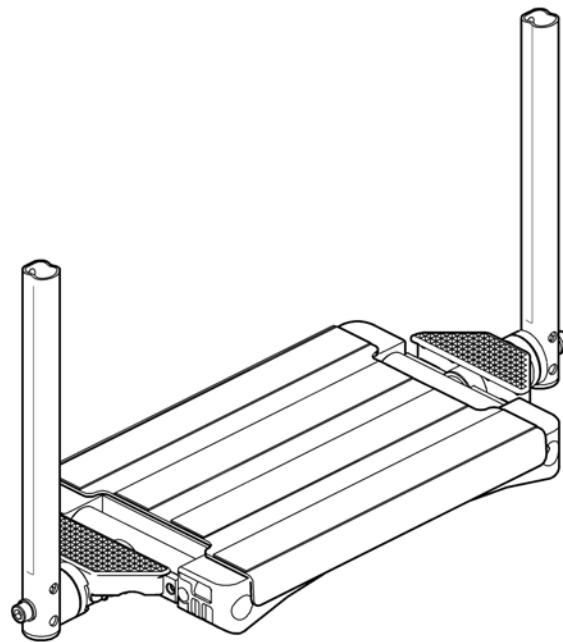
SH (cm)	SW (cm)					
	38	40,5	43	45,5	48	50,5
XLT swing/Spin^X						
41 - 48	1	2	3	4	5	6
50 5 - 53	7	8	9	10	11	12
Spirea^{2/3}						
38 - 48	1	2	3	4	5	6
50.5	7	8	9	10	11	12
Focus						
36.5 - 46.5	1	1	3	3	5	5
49 54	7	7	9	9	11	11



Pos.	Part number	Description	Valid from → until	Qty
1	1496945	Palette monobloc 38cm cpt		1
2	1496946	Palette monobloc 40,5 cm cpt		1
3	1496947	Palette monobloc 43cm cpt		1
4	1496948	Palette monobloc 45,5cm cpt		1
5	1496949	Palette monobloc 48cm cpt		1
6	1496953	Palette monobloc 50,5cm cpt		1
7	1496954	FOOTREST OP, 38, CPL DEPTH AND A/A, LONG, 80		1
8	1496955	FOOTREST OP, 40.5, CPL DEPTH AND A/A, LONG, 80		1
9	1496982	FOOTREST OP, 43, CPL DEPTH AND A/A, LONG, 80		1
10	1497004	FOOTREST OP, 45.5, CPL DEPTH AND A/A, LONG, 80		1
11	1497005	FOOTREST OP, 48, CPL DEPTH AND A/A, LONG, 80		1
12	1497006	FOOTREST OP, 50.5, CPL DEPTH AND A/A, LONG, 80		1

Footrest one piece 90°

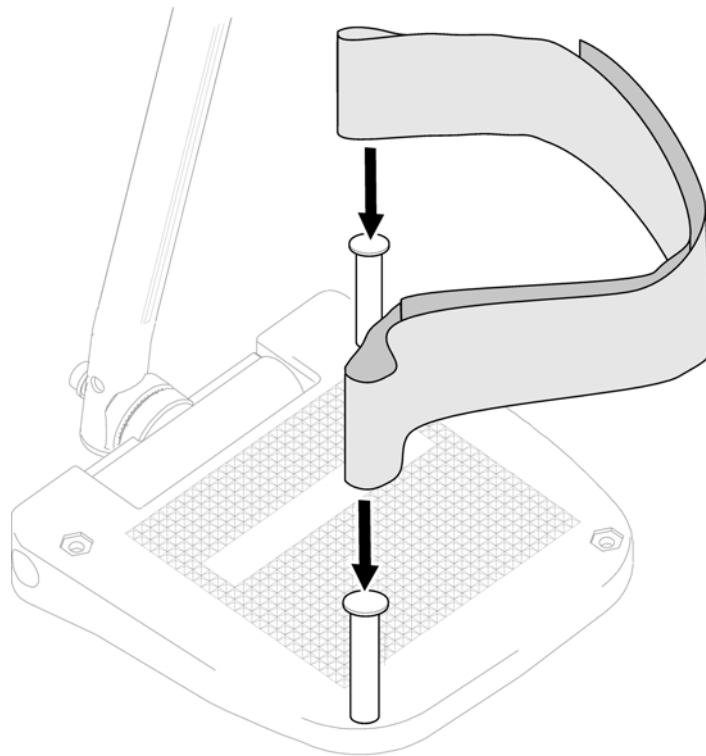
SH (cm)	SW (cm)							
Spin ^x / XLT Swing	38	40,5	43	45,5	48	50,5		
41 - 48	1	2	3	4	5	6		
50,5 - 53	11	12	13	14	15	16		
Focus	38	40,5	43	45,5	48	50,5		
36,5 - 46,5	1	1	3	3	5	5		
49 - 54	11	11	13	13	15	15		
Focus 150	53	58						
44 - 49	7	7						
49 - 54	17	17						
Azalea	34	39	44	39	49	44	49	49
				+10	+10	+5	+10	
40	14	14	16	17	18	19	20	20
45				17	18	19	20	20



SP51491248

Pos.	Part number	Description	Valid from → until	Qty
1	1491247	FOOTREST ONE PIECE, 38 DEPTH AND ANGLEADJ,SHORT		1
2	1491248	FOOTREST ONE PIECE, 40.5 DEPTH AND ANGLEADJ,SHORT		1
3	1493267	FOOTREST ONE PIECE, 43 DEPTH AND ANGLEADJ,SHORT		1
4	1493268	FOOTREST ONE PIECE, 45.5 DEPTH AND ANGLEADJ,SHORT		1
5	1493269	FOOTREST ONE PIECE, 48 DEPTH AND ANGLEADJ,SHORT		1
6	1493270	FOOTREST ONE PIECE, 50.5 DEPTH AND ANGLEADJ,SHORT		1
7	1495821	FOOTREST OP, 53, CPL DEPTH AND ANGLEADJ,SHORT		1
8	1495822	FOOTREST OP, 55.5, CPL DEPTH AND ANGLEADJ,SHORT		1
9	1495823	FOOTREST OP, 58, CPL DEPTH AND ANGLEADJ,SHORT		1
10	1495824	FOOTREST OP, 60.5, CPL DEPTH AND ANGLEADJ,SHORT		1
11	1493349	FOOTREST ONE PIECE, 38 DEPTH AND ANGLEADJ, LONG		1
12	1493350	FOOTREST ONE PIECE, 40.5 DEPTH AND ANGLEADJ, LONG		1
13	1493351	FOOTREST ONE PIECE, 43 DEPTH AND ANGLEADJ, LONG		1
14	1493358	FOOTREST ONE PIECE, 45.5 DEPTH AND ANGLEADJ, LONG		1
15	1493359	FOOTREST ONE PIECE, 48 DEPTH AND ANGLEADJ, LONG		1
16	1493377	FOOTREST ONE PIECE, 50.5 DEPTH AND ANGLEADJ, LONG		1
17	1495825	FOOTREST OP, 53, CPL DEPTH AND ANGLEADJ, LONG		1
18	1495826	FOOTREST OP, 55.5, CPL DEPTH AND ANGLEADJ, LONG		1
19	1495827	FOOTREST OP, 58, CPL DEPTH AND ANGLEADJ, LONG		1
20	1495828	FOOTREST OP, 60.5, CPL DEPTH AND ANGLEADJ, LONG		1

Heel strap

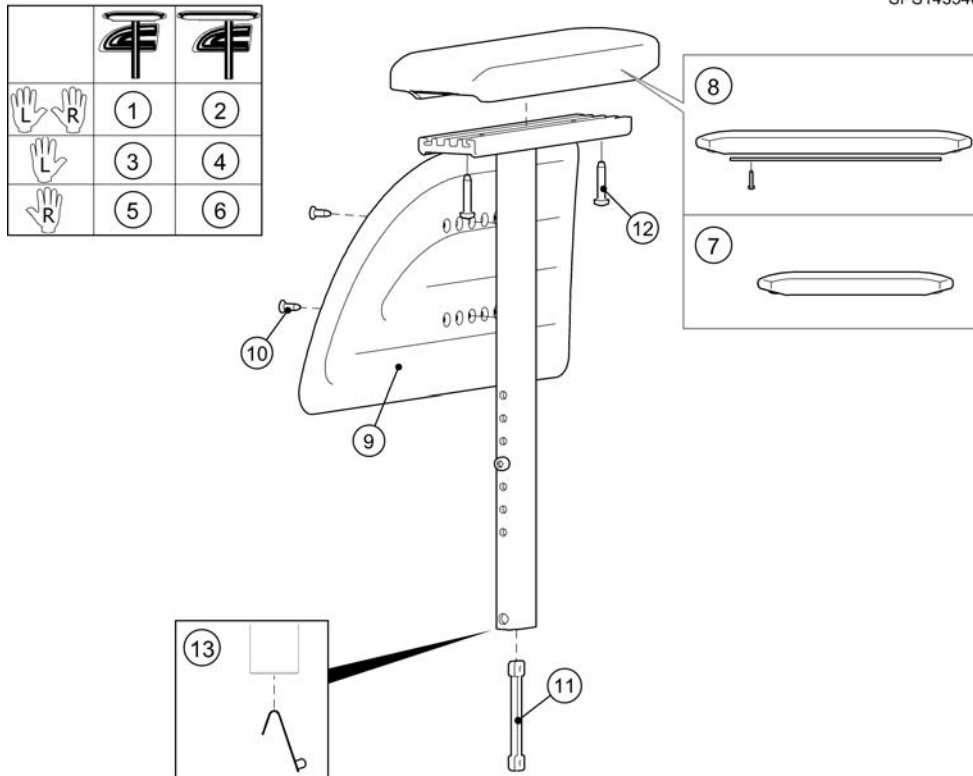


SP55106433

Pos.	Part number	Description	Valid from → until	Qty
	5321579	HEEL LOOP, PAIR		1

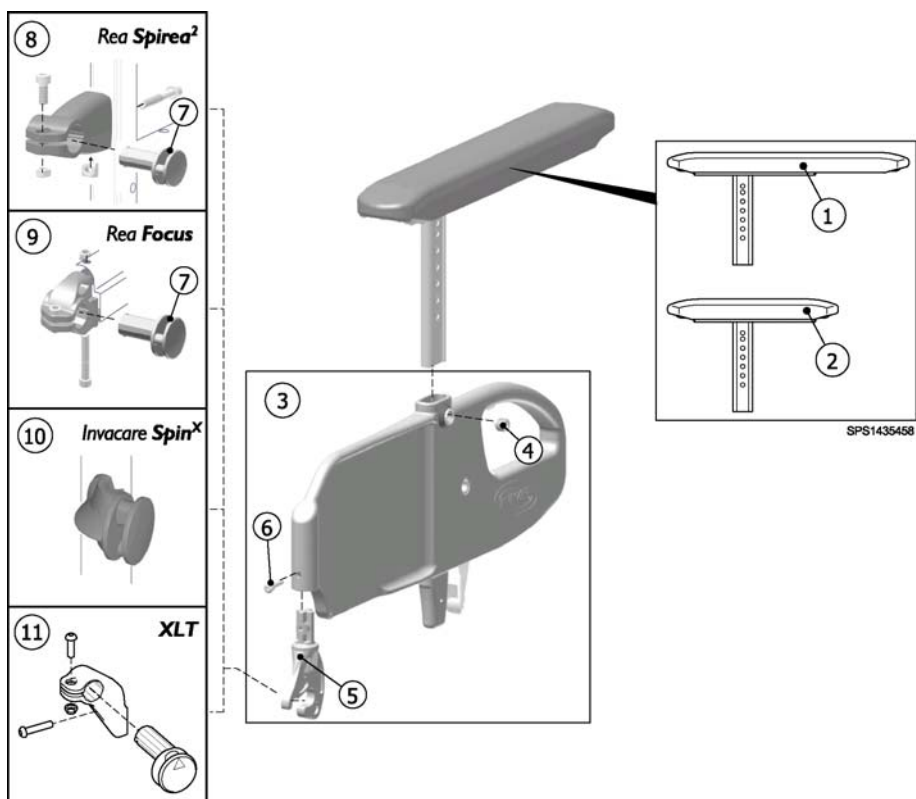
Adjustable armrest, fixed

SPS143546C



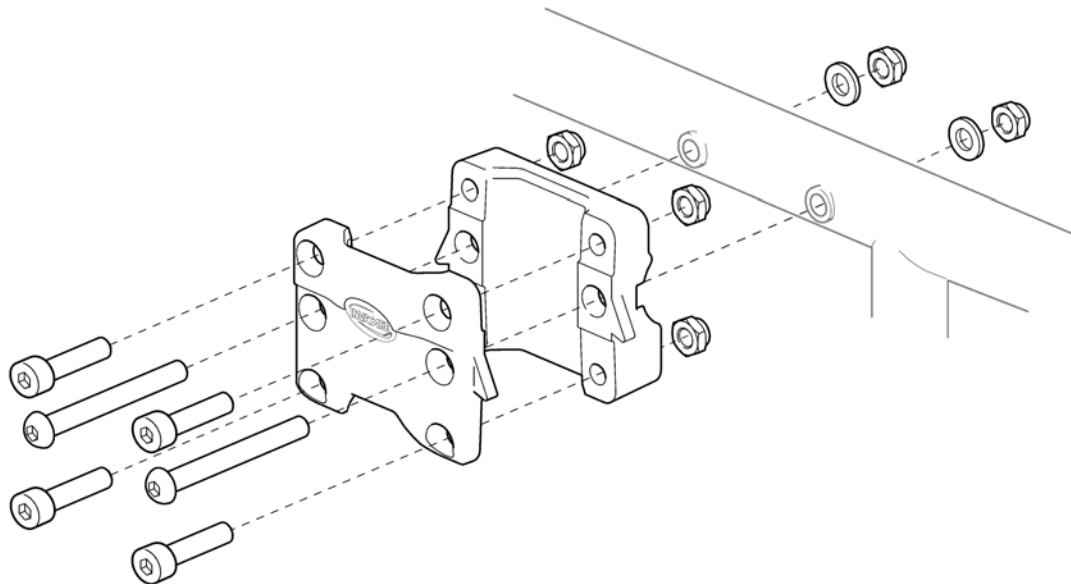
Pos.	Part number	Description	Valid from → until	Qty
1	1435729	ARMREST HA, "RIO", PAIR, SHORT PAD		1
2	1435731	ARMREST HA, "RIO", PAIR, LONG PAD		1
3	1435461	ARMREST HA, "RIO", LEFT, SHORT PAD		1
4	1435487	ARMREST HA, "RIO", LEFT, LONG PAD		1
5	1435460	ARMREST HA, "RIO", RIGHT, SHORT PAD		1
6	1435486	ARMREST HA, "RIO", RIGHT, LONG PAD		1
7	1434676	Manchette courte acc. N° 3 et 4		1
8	1508064	Armpad RIO, long, cpl		1
9	1434725	SIDE GUARD, ARMREST RIO, HA		1
10	5724189	SCREW PT-FX H K40X14 ZN.PL		1
11	1435388	DOUBLE-NUT		1
12	1440027	SCREW K50X25		1
13	1518743	SNAP-BUTTON		1

Armrest, "Flip-up"



Pos.	Part number	Description	Valid from → until	Qty
	1435458	ARMREST FLIP-UP HA, SHORT PAD, RIGHT		1
	1435459	ARMREST FLIP-UP HA, SHORT PAD, LEFT		1
	1435488	ARMREST FLIP-UP HA, RIGHT, LONG PAD		1
	1435489	ARMREST FLIP-UP HA, LEFT, LONG PAD		1
1	1435617	ARMREST FLIP-UP, UPPER PART, RI, LONG PAD		1
1	1435618	ARMREST FLIP-UP, UPPER PART, LE, LONG PAD		1
2	1435615	ARMREST FLIP-UP, UPPER PART,RI, SHORT PAD		1
2	1435616	ARMREST FLIP-UP, UPPER PART,LE, SHORT PAD		1
3	1435613	ARMREST, LOWER PART, FLIP-UP, HA, RIGHT		1
3	1435614	ARMREST, LOWER PART, FLIP-UP, HA, LEFT		1
4	5106533	Vis sans tête M8x7,5		1
5	1431731	HOOK BRACKET, ARMREST FLIP-UP, HA		1
6	1424569	Screw KT-PT K50X20 Black, WN1412 A2T, combi torx		1
7	1431724	LINK, SIDE SUPPORT, ARMREST FLIP-UP, HA		1
8	1435492	ARMREST ATTACHM. FLIP-UP		1
9	1435493	ATTACHMENT, ARMREST FLIP-UP, REAR, CPL, FOC		1
10	1485246	ATTACHM. ARMREST FLIP-UP REAR, RI, CPL SPIN-X		1
10	1485272	ATTACHM. ARMREST FLIP-UP REAR, LE, CPL SPIN-X		1
11	1512698	ATTACHMENT, ARMREST FLIP-UP, REAR, PAIR		1

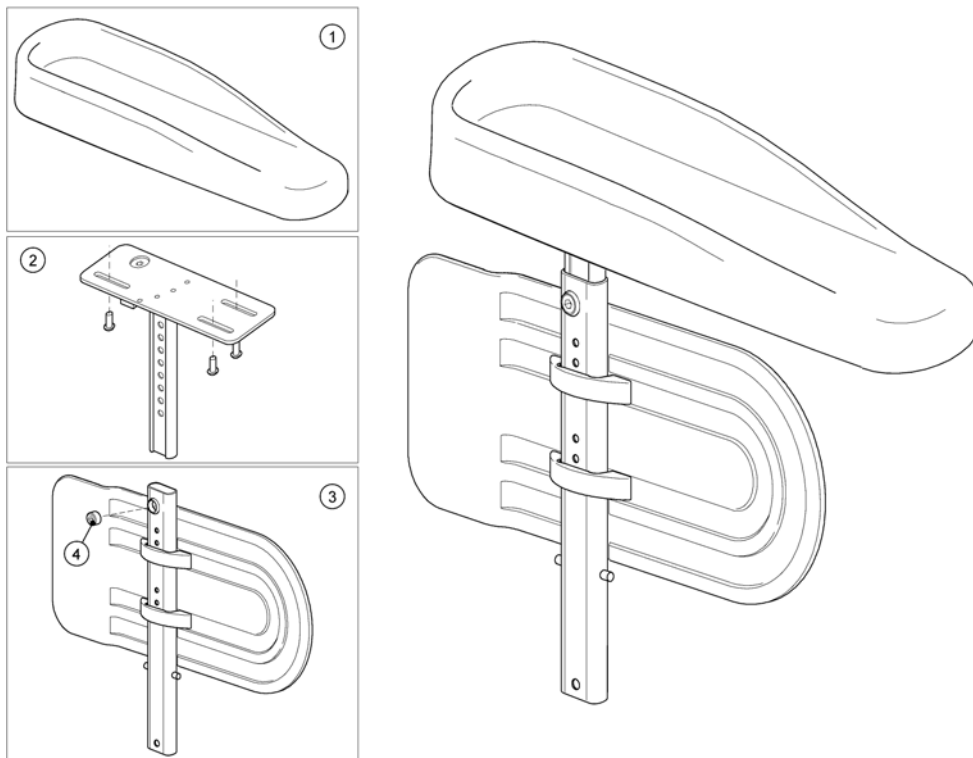
SPS1512695



Pos.	Part number	Description	Valid from → until	Qty
1	1512696	ATTACHMENT, ARMREST, PAIR		1

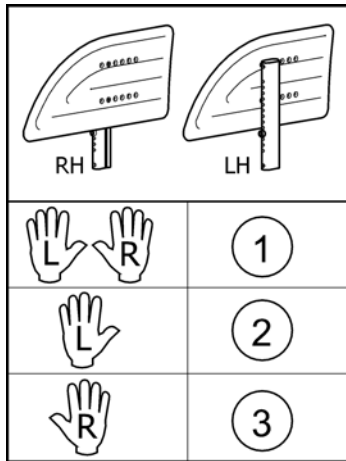
Armrest, hemiplegic

SPS149290C

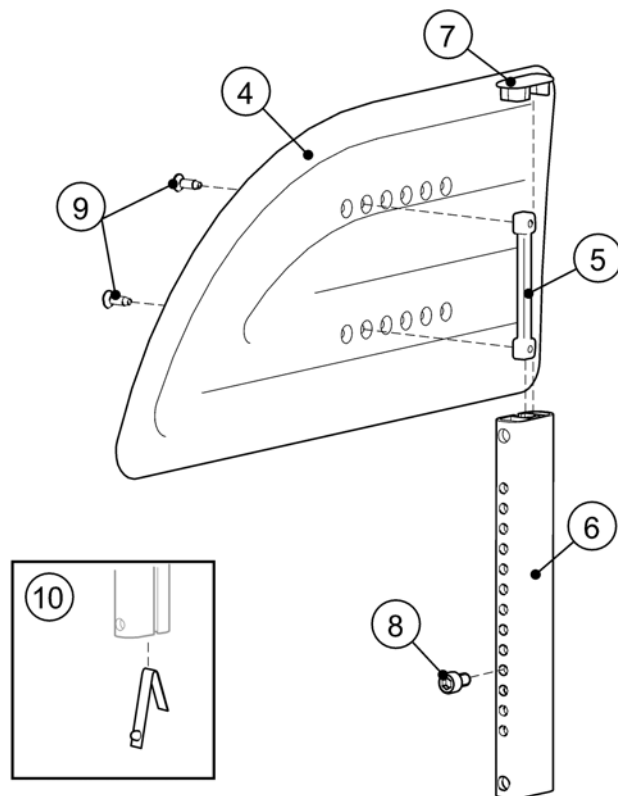


Pos.	Part number	Description	Valid from → until	Qty
	1492900	HEMIPLEGIC ARMREST,RH		1
	1492901	HEMIPLEGIC ARMREST,LH		1
1	1493251	Manchette Hemi		1
2	1493243	POLE CPL, ARMREST HEMI RI, AZALEA		1
2	1493244	POLE CPL, ARMREST HEMI LE, AZALEA		1
3	1415520	SIDE GUARD RIGHT CPL		1
3	1415521	SIDE GUARD LEFT CPL		1
4	5106533	Vis sans tête M8x7,5		1

Sideguard







SPS1491237

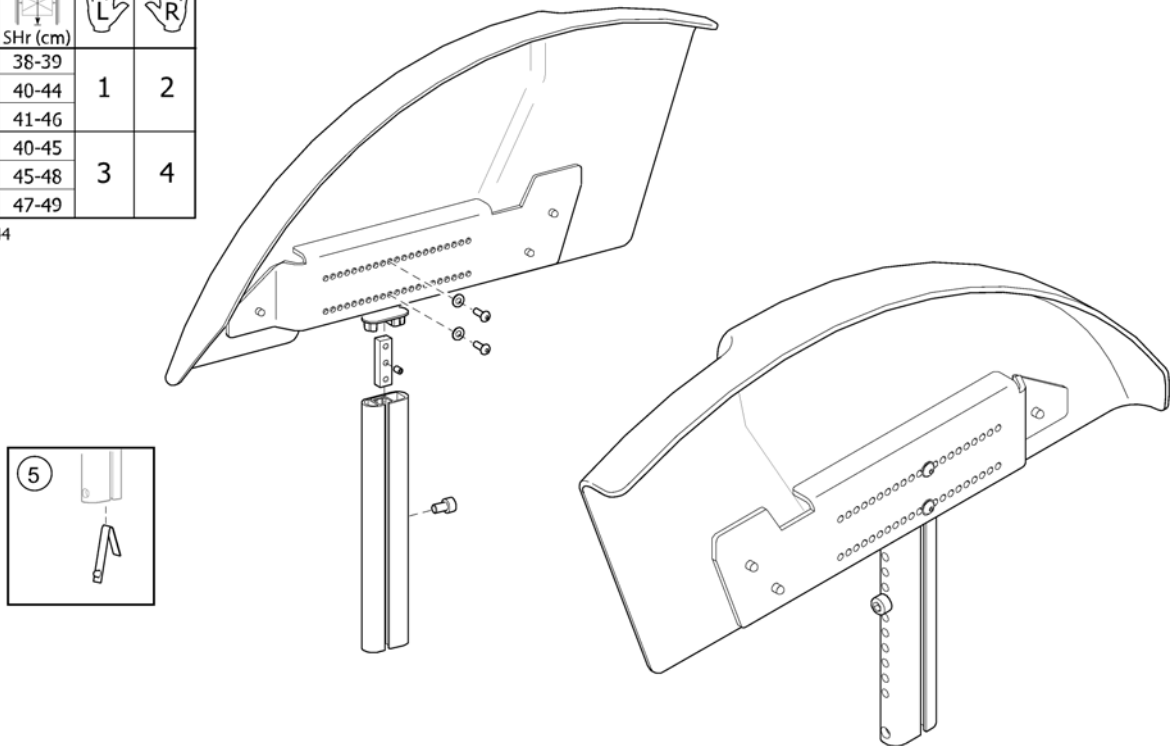


Pos.	Part number	Description	Valid from → until	Qty
1	1514484	SIDE GUARD, PAIR		1
2	1491237	SIDEGUARD, RIGHT, CPL		1
3	1491238	SIDEGUARD, LEFT, CPL		1
4	1434725	SIDE GUARD, ARMREST RIO, HA		1
5	1435388	DOUBLE-NUT		1
6	1484543-0004	SIDEGUARD POLE		1
7	1488504	END PLUG		1
8	5723007	SCREW MC6S M6X10 FZB 8.8 DIN 912		1
9	5724189	SCREW PT-FX H K40X14 ZN.PL		1
10	1518743	SNAP-BUTTON		1

Mudguard

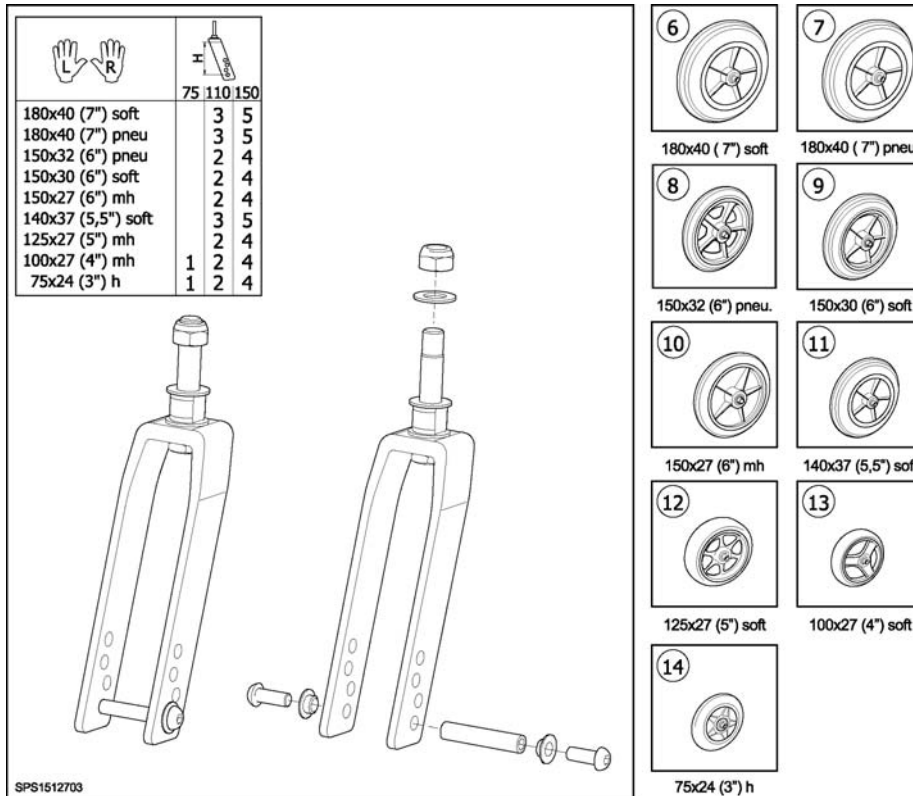
			
22"	38-39		
24"+25"	40-44	1	2
26"	41-46		
22"	40-45		
24"+25"	45-48	3	4
26"	47-49		

SPS1512844



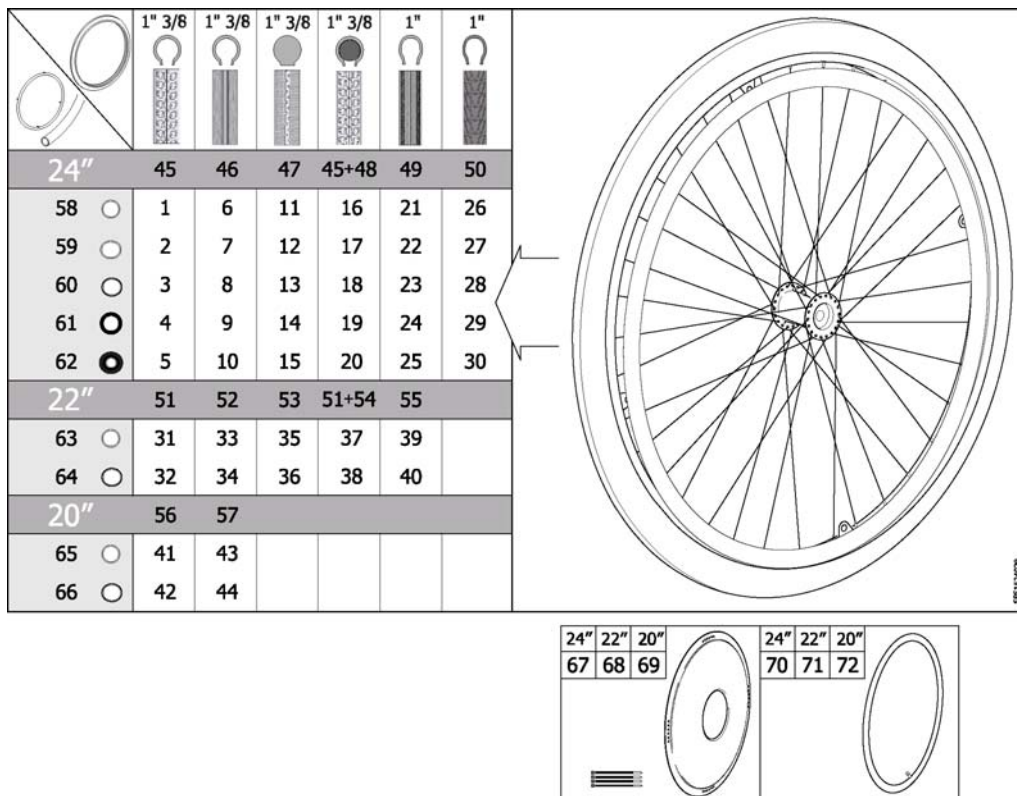
Pos.	Part number	Description	Valid from → until	Qty
1	1512845	MUDGUARD, HIGH, LE. CPL. XLT		1
2	1512844	MUDGUARD, HIGH, RI. CPL. XLT		1
3	1512847	MUDGUARD, LOW, LE. CPL. XLT		1
4	1512846	MUDGUARD, LOW, RI. CPL. XLT		1
5	1518743	SNAP-BUTTON		1

Castor wheels



Pos.	Part number	Description	Valid from → until	Qty
1	1512699	FORK 75/40, FIXED, CPL, PAIR, ANODIZED		1
2	1512700	FORK 110/40, FIXED, CPL, PAIR, ANODIZED		1
3	1512701	FORK 110/60, FIXED, CPL, PAIR, ANODIZED		1
4	1512702	FORK 150/40, FIXED, CPL, PAIR, ANODIZED		1
5	1512703	FORK 150/60, FIXED, CPL, PAIR, ANODIZED		1
6	5750781	CASTOR 180x40 (7") SOFT		1
7	5750782	CASTOR 180x40 (7") PNEUMATIC		1
8	5322006	CASTOR 150x32 (6") PNEUMATIC		1
9	5750806	CASTOR 150X30 (6") SOFT (S)		1
10	5322152	CASTOR 150x27 (6") MEDIUM HARD (MH)		1
11	5750734	CASTOR 140X37 (5.5") SOFT		1
12	1491228	CASTOR 125X27 MH		1
13	5750890	CASTOR 100X27 MH		1
14	1512761	CASTOR 75X24 HARD		1

Wheel 24-22-20"



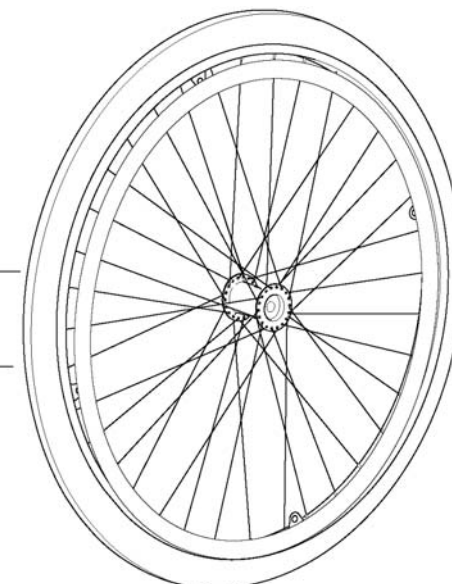
Pos.	Part number	Description	Valid from → until	Qty
1	1524030	Wheel 24" Pneu. Profiled + Handrim, Alu, Std2010		1
2	1524186	Wheel 24" Pneu. Profiled + Handrim, Plastic Coated, Std2010		1
3	1530764	Wheel 24" Pneu. Profiled + Handrim, Stainless, Std2010		1
4	1531508	Wheel 24" Pneu. Profiled + Handrim, Foam Coated, Std2010		1
5	1531563	Wheel 24" Pneu. Profiled + Handrim, Blackgrip, Std2010		1
6	1524029	Wheel 24" Pneu. Non-Marking + Handrim, Alu, Std2010		1
7	1524163	Wheel 24" Pneu. Non-Marking + Handrim, Plastic Coated, Std2010		1
8	1530763	Wheel 24" Pneu. Non-Marking + Handrim, Stainless, Std2010		1
9	1531462	Wheel 24" Pneu. Non-Marking + Handrim, Foam Coated, Std2010		1
10	1531538	Wheel 24" Pneu. Non-Marking + Handrim, Blackgrip, Std2010		1
11	1524050	Wheel 24" Solid + Handrim, Alu, Std2010		1
12	1524188	Wheel 24" Solid + Handrim, Plastic Coated, Std2010		1
13	1530762	Wheel 24" Solid + Handrim, Stainless, Std2010		1
14	1531531	Wheel 24" Solid + Handrim, Foam Coated, Std2010		1
15	1531564	Wheel 24" Solid + Handrim, Blackgrip, Std2010		1
16	1524150	Wheel 24" Punctureproof + Handrim, Alu, Std2010		1
17	1524189	Wheel 24" Punctureproof + Handrim, Plastic Coated, Std2010		1
18	1531129	Wheel 24" Punctureproof + Handrim, Stainless, Std2010		1
19	1531532	Wheel 24" Punctureproof + Handrim, Foam Coated, Std2010		1
20	1531565	Wheel 24" Punctureproof + Handrim, Blackgrip, Std2010		1
21	1524049	Wheel 24x1" Low Profile + Handrim, Alu., Std2010		1
22	1524187	Wheel 24x1" Low Profile + Handrim, Plastic Coated, Std2010		1
23	1531063	Wheel 24x1" Low Profile + Handrim, Stainless Steel, Std2010		1
24	1531533	Wheel 24x1" Low Profile + Handrim, Foam Coated, Std2010		1
25	1531566	Wheel 24x1" Low Profile + Handrim, Black Grip, Std2010		1
26	1532143	Wheel 24" Black Marathon + Handrim, Alu., Std2010		1
27	1532183	Wheel 24" Black Marathon + Handrim, Plastic Coated, Std2010		1
28	1532144	Wheel 24" Black Marathon + Handrim, Stainless Steel, Std2010		1
29	1532184	Wheel 24" Black Marathon + Handrim, Foam Coated, Std2010		1
30	1532185	Wheel 24" Black Marathon + Handrim, Black Grip, Std2010		1
31	1523949	Wheel 22" Pneu. Profiled + Handrim, Alu, Std2010		1

Wheel 24-22-20"

Pos.	Part number	Description	Valid from → until	Qty
32	1524024	Wheel 22" Pneu. Profiled + Handrim, Plastic Coated, Std2010		1
33	1523948	Wheel 22" Pneu. Non-Marking + Handrim, Alu, Std2010		1
34	1524023	Wheel 22" Pneu. Non-Marking + Handrim, Plastic Coated, Std2010		1
35	1524021	Wheel 22" Solid + Handrim, Alu, Std2010		1
36	1524027	Wheel 22" Solid + Handrim, Plastic Coated, Std2010		1
37	1524022	Wheel 22" Punctureproof + Handrim, Alu, Std2010		1
38	1524028	Wheel 22" Punctureproof + Handrim, Plastic Coated, Std2010		1
39	1524020	Wheel 22x1" Low Profile + Handrim, Alu., Std2010		1
40	1524026	Wheel 22x1" Low Profile + Handrim, Plastic Coated, Std2010		1
41	1523944	Wheel 20" Pneu. Profiled + Handrim, Alu, Std2010		1
42	1523945	Wheel 20" Pneu. Profiled + Handrim, Plastic Coated, Std2010		1
43	1523885	Wheel 20" Pneu. Non-Marking + Handrim, Alu, Std2010		1
44	1523902	Wheel 20" Pneu. Non-Marking + Handrim, Plastic Coated, Std2010		1
45	5750019	Tyre 24"X1 3/8", Profiled		1
46	5750014	Tyre 24"X1 3/8", Non-Marking		1
47	5750015	Tyre 24"X1 3/8", Solid		1
48	5207046	Tube 24"X1 3/8", Flex		1
49	5750160	Tyre 24"X1" (25-540), Non-Marking		1
50	1512742	Tyre 24"X1" (25-540), Black Marathon		1
51	1531455	Tyre 22"x1 3/8" (37-501) Profiled		1
52	1531456	Tyre 22" (32-501) Non-Marking,		1
53	5750172	Tyre 22" Solid		1
54	5750732	Tube 22"X1 3/8", Flex		1
55	1531454	Tyre 22"x1" (25-501) Low profile		1
56	5750017	Tyre 20"X1 3/8", Profiled		1
57	5750012	Tyre 20"X1 3/8", Non-Marking		1
58	1531577	Handrim Aluminium Cpl, 24" Wheel, Std2010		1
59	1531578	Handrim Plastic Cpl, 24" Wheel, Std2010		1
60	1531305	Handrim Stainless Cpl, 24" Wheel, Std2010		1
61	1531459	Handrim Foam Coated Cpl, 24" Wheel, Std2010		1
62	1531460	Handrim Black Grip Cpl, 24" Wheel, Std2010		1
63	1531579	Handrim Aluminium Cpl, 22" Wheel, Std2010		1
64	1531580	Handrim Plastic Cpl, 22" Wheel, Std2010		1
65	1530271	Handrim Aluminium Cpl, 20" Wheel, Std2010		1
66	1530272	Handrim Plastic Cpl, 20" Wheel, Std2010		1
67	5102807	Spoke Protection 24" Frosted Cpl		1
68	5102800	Spoke Protection 22" Frosted Cpl		1
69	5102795	Spoke Protection 20" Frosted Cpl		1
70	5750036	Tube 24"X1 3/8"		1
70	5750161	Tube 24"X1" (25-540)		1
72	5750034	Tube 20"X1 3/8"		1
71	5750035	Tube 22"X1 3/8"		1

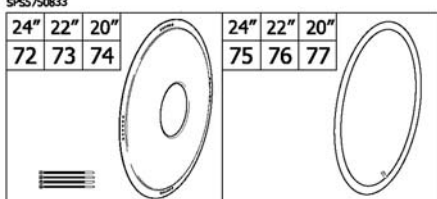
Wheel 24-22-20" (=> 2010.04)

	1" 3/8	1" 3/8	1" 3/8	1" 3/8	1" 3/8	1"	1"	
24"	43	44	45	43+46	47	48	78	
55 ○	1	6	11	16	21	26	79	
56 ○	2	7	12	17	22	27	80	
57 ○	3	8	13	18	23	28	81	
58 ○	4	9	14	19	24	29	82	
59 ●	5	10	15	20	25	30	83	
22"	49	50	51	49+52				
85 ○	31	33	35	37				
86 ○	32	34	36	38				
20"	53	54						
87 ○	39	41						
88 ○	40	42						
	24"	60	61	62	63	64	65	84
	22"	66	67	68	69			
	20"	70	71					



SPS5750833

24"	22"	20"		24"	22"	20"
72	73	74		75	76	77



Pos.	Part number	Description	Valid from → until	Qty
1	5750842	Wheel 24" Pneu. Profiled + Handrim, Alu		1
2	5750848	Wheel 24" Pneu. Profiled + Handrim, Stainless		1
3	5750843	Wheel 24" Pneu. Profiled + Handrim, Plastic Coated		1
4	5750845	Wheel 24" Pneu. Profiled + Handrim, Foam Coated		1
5	5750846	Wheel 24" Pneu. Profiled + Handrim, Blackgrip		1
6	5750833	Wheel 24" Pneu. Non-Marking + Handrim, Alu		1
7	5750839	Wheel 24" Pneu. Non-Marking + Handrim, Stainless		1
8	5750834	Wheel 24" Pneu. Non-Marking + Handrim, Plastic Coated		1
9	5750836	Wheel 24" Pneu. Non-Marking + Handrim, Foam Coated		1
10	5750837	Wheel 24" Pneu. Non-Marking + Handrim, Blackgrip		1
11	5750851	Wheel 24" Solid + Handrim, Alu		1
12	5750857	Wheel 24" Solid + Handrim, Stainless		1
13	5750852	Wheel 24" Solid + Handrim, Plastic Coated		1
14	5750854	Wheel 24" Solid + Handrim, Foam Coated		1
15	5750855	Wheel 24" Solid + Handrim, Blackgrip		1
16	5750870	Wheel 24" Punctureproof + Handrim, Alu		1
17	5750876	Wheel 24" Punctureproof + Handrim, Stainless		1
18	5750871	Wheel 24" Punctureproof + Handrim, Plastic Coated		1
19	5750873	Wheel 24" Punctureproof + Handrim, Foam Coated		1
20	5750874	Wheel 24" Punctureproof + Handrim, Blackgrip		1
21	5750879	Wheel 24" Tube + Handrim, Aluminium		1
22	5750885	Wheel 24" Tube + Handrim, Stainless		1
23	5750880	Wheel 24" Tube + Handrim, Plastic Coated		1
24	5750882	Wheel 24" Tube + Handrim, Foam Coated		1
25	5750883	Wheel 24" Tube + Handrim, Blackgrip		1
26	5750861	Wheel 24" Low Profile + Handrim, Alu.		1
27	5750867	Wheel 24" Low Profile + Handrim, Stainless Steel		1
28	5750862	Wheel 24" Low Profile + Handrim, Plastic Coated		1
29	5750864	Wheel 24" Low Profile + Handrim, Foam Coated		1
30	5750865	Wheel 24" Low Profile + Handrim, Black Grip		1
31	5750821	Wheel 22" Pneu. Profiled + Handrim, Alu		1




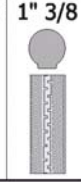
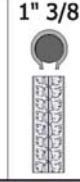

Wheel 24-22-20" (=> 2010.04)

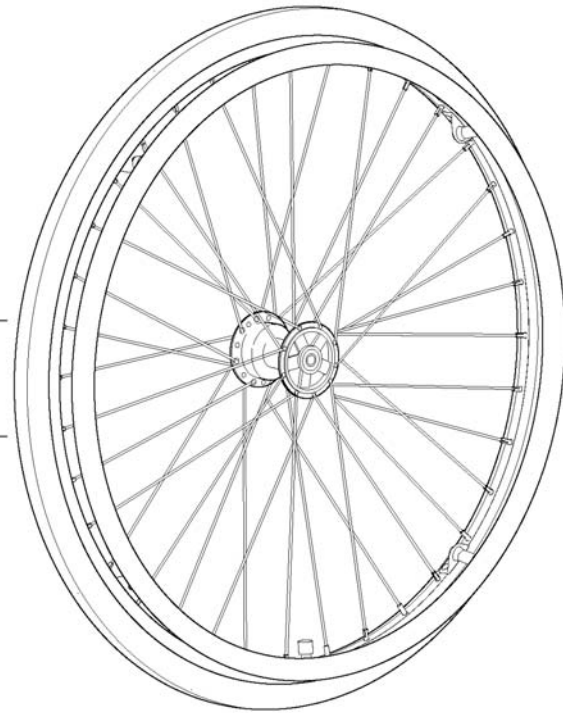
Pos.	Part number	Description	Valid from → until	Qty
32	5750822	Wheel 22" Pneu. Profiled + Handrim, Plastic Coated		1
33	5750817	Wheel 22" Pneu. Non-Marking + Handrim, Alu		1
34	5750818	Wheel 22" Pneu. Non-Marking + Handrim, Plastic Coated		1
35	5750825	Wheel 22" Solid + Handrim, Alu		1
36	5750826	Wheel 22" Solid + Handrim, Plastic Coated		1
37	5750829	Wheel 22" Punctureproof + Handrim, Alu		1
38	5750830	Wheel 22" Punctureproof + Handrim, Plastic Coated		1
39	5750815	Wheel 20" Pneu. Profiled + Handrim, Alu		1
40	5750816	Wheel 20" Pneu. Profiled + Handrim, Plastic Coated		1
41	5750813	Wheel 20" Pneu. Non-Marking + Handrim, Alu		1
42	5750814	Wheel 20" Pneu. Non-Marking + Handrim, Plastic Coated		1
43	5750019	Tyre 24"X1 3/8", Profiled		1
44	5750014	Tyre 24"X1 3/8", Non-Marking		1
45	5750015	Tyre 24"X1 3/8", Solid		1
46	5207046	Tube 24"X1 3/8", Flex		1
47	5750043	Tyre 24"X1 3/8", Tube		1
48	5750160	Tyre 24"X1" (25-540), Non-Marking		1
49	5750018	Tyre 22"X1 3/8", Profiled		1
50	5750707	Tyre 22" Non-Marking		1
51	5750172	Tyre 22" Solid		1
52	5750732	Tube 22"X1 3/8", Flex		1
53	5750017	Tyre 20"X1 3/8", Profiled		1
54	5750012	Tyre 20"X1 3/8", Non-Marking		1
55	1510377	Handrim Aluminium Cpl, 24" Wheel		1
56	1510378	Handrim Stainless Cpl, 24" Wheel		1
57	1510494	Handrim Plastic Cpl, 24" Wheel		1
58	1510379	Handrim Foam Coated Cpl, 24" Wheel		1
59	1510492	Handrim Black Grip Cpl, 24" Wheel		1
60	5750906	Wheel 24" Pneu. Profiled, 4 Clips		1
60	5750905	Wheel 24" Pneu. Profiled, 0 Clips		1
61	5320568	Wheel 24" Pneu. Non-Marking, 4 Clips		1
61	5750904	Wheel 24" Pneu. Non-Marking, 0 Clips		1
62	5750907	Wheel 24" Solid, 4 Clips		1
62	5750189	Wheel 24" Db, Solid, 0 Clips		1
63	5207613	Wheel 24" Punctureproof, Profiled, 4 Clips		1
63	5750902	Wheel 24" Punctureproof, 0 Clips		1
64	1434796	Wheel 24" Tube, 0 Clips		1
65	5750899	Wheel 24" Low Profile, Non-Marking, 4 Clips		1
65	5750900	Wheel 24" Low Profile, 0 Clips		1
66	5321985	Wheel 22" Pneu. Profiled, 4Clips		1
67	5750709	Wheel 22" Pneu. Non-Marking, 4 Clips		1
67	5750708	Wheel 22" Pneu. Non-Marking, 0 Clips		1
68	1451559	Wheel 22" Solid, 4 Clips		1
68	1420203	Wheel 22" Solid, 0 Clips		1
69	5207611	Wheel 22" Punctureproof, 4 Clips		1
69	1420204	Wheel 22" Punctureproof, 0 Clips		1
70	1420047	Wheel 20" Pneu. Profiled, 0 Clips		1
71	5321984	Wheel 20" Pneu. Non-Marking, 4 Clips		1
71	5320634	Wheel 20" Pneu. Non-Marking, 0 Clips		1
72	5102807	Spoke Protection 24" Frosted Cpl		1
73	5102800	Spoke Protection 22" Frosted Cpl		1
74	5102795	Spoke Protection 20" Frosted Cpl		1
75	5750036	Tube 24"X1 3/8"		1
75	5750161	Tube 24"X1" (25-540)		1
76	5750035	Tube 22"X1 3/8"		1

Wheel 24-22-20" (=> 2010.04)


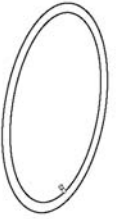
Pos.	Part number	Description	Valid from → until	Qty
77	5750034	Tube 20"X1 3/8"		1
78	1512742	Tyre 24"X1" (25-540), Black Marathon		1
79	1512709	Wheel 24" Black Marathon + Handrim, Alu.		1
80	1512710	Wheel 24" Black Marathon + Handrim, Stainless Steel		1
81	1512711	Wheel 24" Black Marathon + Handrim, Plastic Coated		1
82	1512712	Wheel 24" Black Marathon + Handrim, Foam Coated		1
83	1512713	Wheel 24" Black Marathon + Handrim, Black Grip		1
84	1512714	Wheel 24" Black Marathon, 0 Clips		1
85	1510495	Handrim Aluminium Cpl, 22" Wheel		1
86	1518609	Handrim Plastic Cpl, 22" Wheel		1
87	1510543	Handrim Aluminium Cpl, 20" Wheel		1
88	1533006	Handrim Plastic Cpl, 20" Wheel		1

Wheel 24-22" DB

	1" 3/8	1" 3/8	1" 3/8	1" 3/8
				
24"	17	18	19	17+20
25 ○	1	3	5	7
26 ○	2	4	6	8
22"	21	22	23	21+24
27 ○	9	11	13	15
28 ○	10	12	14	16



SFS1524436

24"	22"		24"	22"	
29	30		31	32	

Pos.	Part number	Description	Valid from → until	Qty
1	1524437	Wheel 24" Db Pneu. Profiled + Handrim, Alu, Std2010		1
2	1524514	Wheel 24" Db Pneu. Profiled + Handrim, Plastic Coated, Std2010		1
3	1524436	Wheel 24" Db Pneu. Non-Marking + Handrim, Alu, Std2010		1
4	1524513	Wheel 24" Db Pneu. Non-Marking + Handrim, Plastic Coated, Std2010		1
5	1524447	Wheel 24" Db Solid + Handrim, Alu, Std2010		1
6	1524515	Wheel 24" Db Solid + Handrim, Plastic Coated, Std2010		1
7	1524512	Wheel 24" Db Punctureproof + Handrim, Alu, Std2010		1
8	1524516	Wheel 24" Db Punctureproof + Handrim, Plastic Coated, Std2010		1
9	1524290	Wheel 22" Db Pneu. Profiled + Handrim, Alu, Std2010		1
10	1524361	Wheel 22" Db Pneu. Profiled + Handrim, Plastic Coated, Std2010		1
11	1524289	Wheel 22" Db Pneu. Non-Marking + Handrim, Alu, Std2010		1
12	1524337	Wheel 22" Db Pneu. Non-Marking + Handrim, Plastic Coated, Std2010		1
13	1524291	Wheel 22" Db Solid + Handrim, Alu, Std2010		1
14	1524388	Wheel 22" Db Solid + Handrim, Plastic Coated, Std2010		1
15	1524292	Wheel 22" Db Punctureproof + Handrim, Alu, Std2010		1
16	1524435	Wheel 22" Db Punctureproof + Handrim, Plastic Coated, Std2010		1
17	5750019	Tyre 24"X1 3/8", Profiled		1
18	5750014	Tyre 24"X1 3/8", Non-Marking		1
19	5750015	Tyre 24"X1 3/8", Solid		1
20	5207046	Tube 24"X1 3/8", Flex		1
21	1531455	Tyre 22"x1 3/8" (37-501) Profiled		1
22	1531456	Tyre 22" (32-501) Non-Marking,		1
23	5750172	Tyre 22" Solid		1
24	5750732	Tube 22"X1 3/8", Flex		1
25	1531577	Handrim Aluminium Cpl, 24" Wheel, Std2010		1
26	1531578	Handrim Plastic Cpl, 24" Wheel, Std2010		1
27	1531579	Handrim Aluminium Cpl, 22" Wheel, Std2010		1
28	1531580	Handrim Plastic Cpl, 22" Wheel, Std2010		1
29	5102807	Spoke Protection 24" Frosted Cpl		1
30	5102800	Spoke Protection 22" Frosted Cpl		1
31	5750036	Tube 24"X1 3/8"		1

Wheel 24-22" DB

Pos.	Part number	Description	Valid from → until	Qty
32	5750035	Tube 22"X1 3/8"		1

Wheel 24-22-20" DB (=> 2010.04)

	1" 3/8	1" 3/8	1" 3/8	1" 3/8	
24"	33	34	35	33+36	
43 ○	1	6	11	16	
44 ○	2	7	12	17	
45 ○	3	8	13	18	
46 ○	4	9	14	19	
47 ●	5	10	15	20	
22"	37	38	39	37+40	
64 ○	21	23	25	27	
65 ○	22	24	26	28	
20"	41	42			
66 ○	29	31			
67 ○	30	32			
	24"	48	49	50	51
	22"	52	53	54	55
	20"	56	57		

SPS1434807

24"	22"	20"	24"	22"	20"
58	59	60	61	62	63

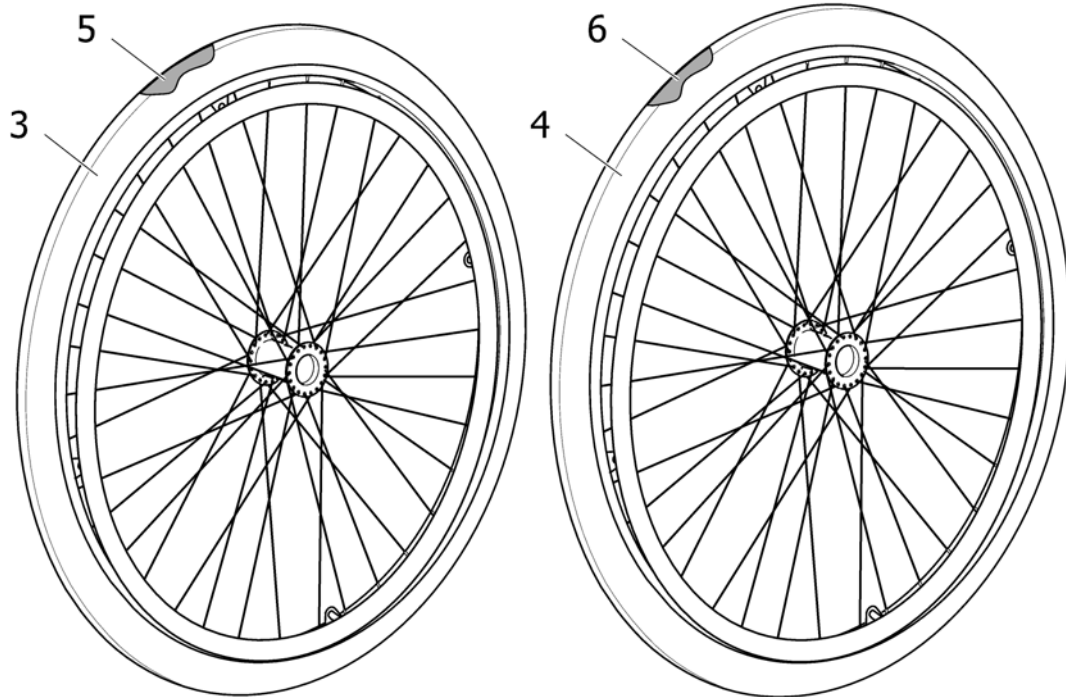
Pos.	Part number	Description	Valid from → until	Qty
1	5207401	Wheel 24" Db, Pneu. Profiled + Handrim Alu		1
2	5207404	Wheel 24" Db, Pneu. Profiled + Handrim Stainless		1
3	5207407	Wheel 24" Db, Pneu. Profiled + Handrim Plastic Coated		1
4	5207410	Wheel 24" Db, Pneu. Profiled + Handrim Foam Coated		1
5	1434808	Wheel 24" Db, Pneu. Profiled + Handrim Blackgrip		1
6	5207400	Wheel 24" Db, Pneu. Non-Marking + Handrim Alu		1
7	5207403	Wheel 24" Db, Pneu. Non-Marking + Handrim Stainless		1
8	5207406	Wheel 24" Db, Pneu. Non-Marking + Handrim Plastic Coated		1
9	5207409	Wheel 24" Db, Pneu. Non-Marking + Handrim Foam Coated		1
10	1434807	Wheel 24" Db, Pneu. Non-Marking + Handrim Blackgrip		1
11	1434802	Wheel 24" Db, Solid + Handrim Alu		1
12	1434810	Wheel 24" Db, Solid + Handrim Stainless		1
13	1434803	Wheel 24" Db, Solid + Handrim Plastic Coated		1
14	1434805	Wheel 24" Db, Solid + Handrim Foam Coated		1
15	1434806	Wheel 24" Db, Solid + Handrim Blackgrip		1
16	5207402	Wheel 24" Db, Punctureproof + Handrim Alu		1
17	5207405	Wheel 24" Db, Punctureproof + Handrim Stainless		1
18	5207408	Wheel 24" Db, Punctureproof + Handrim Plastic Coated		1
19	5207411	Wheel 24" Db, Punctureproof + Handrim Foam Coated		1
20	1434809	Wheel 24" Db, Punctureproof + Handrim Blackgrip		1
21	5207434	Wheel 22" Db, Pneu. Profiled + Handrim Alu		1
22	1422574	Wheel 22" Db, Pneu. Profiled + Handrim Plastic Coated		1
23	5750718	Wheel 22" Db, Pneu. Non-Marking + Handrim Alu		1
24	1422571	Wheel 22" Db, Pneu. Non-Marking + Handrim Plastic Coated		1
25	1434797	Wheel 22" Db, Solid + Handrim Alu		1
26	1434798	Wheel 22" Db, Solid + Handrim Plastic Coated		1
27	5207435	Wheel 22" Db, Punctureproof + Handrim Alu		1
28	1422577	Wheel 22" Db, Punctureproof + Handrim Plastic Coated		1
29	1488848	Wheel 20" Db, Pneu. Profiled + Handrim Alu		1
30	1488849	Wheel 20" Db, Pneu. Profiled + Handrim Plastic Coated		1
31	1488846	Wheel 20" Db, Pneu. Non-Marking + Handrim Alu		1

Wheel 24-22-20" DB (=> 2010.04)

Pos.	Part number	Description	Valid from → until	Qty
32	1488847	Wheel 20" Db, Pneu. Non-Marking + Handrim Plastic Coated		1
33	5750019	Tyre 24"X1 3/8", Profiled		1
34	5750014	Tyre 24"X1 3/8", Non-Marking		1
35	5750015	Tyre 24"X1 3/8", Solid		1
36	5207046	Tube 24"X1 3/8", Flex		1
37	5750018	Tyre 22"X1 3/8", Profiled		1
38	5750707	Tyre 22" Non-Marking		1
39	5750172	Tyre 22" Solid		1
40	5750732	Tube 22"X1 3/8", Flex		1
41	5750017	Tyre 20"X1 3/8", Profiled		1
42	5750012	Tyre 20"X1 3/8", Non-Marking		1
43	1510377	Handrim Aluminium Cpl, 24" Wheel		1
44	1510378	Handrim Stainless Cpl, 24" Wheel		1
45	1510494	Handrim Plastic Cpl, 24" Wheel		1
46	1510379	Handrim Foam Coated Cpl, 24" Wheel		1
47	1510492	Handrim Black Grip Cpl, 24" Wheel		1
48	5750178	Wheel 24" Db, Pneu. Profiled, 4 Clips		1
48	5750177	Wheel 24" Db, Pneu. Profiled, 0 Clips		1
49	5750175	Wheel 24" Db, Pneu. Non-Marking, 0 Clips		1
49	5750176	Wheel 24" Db, Pneu. Non-Marking, 4 Clips		1
50	5750190	Wheel 24" Db, Solid, 4 Clips		1
50	5750189	Wheel 24" Db, Solid, 0 Clips		1
51	5750180	Wheel 24" Db, Punctureproof, Profiled, 4 Clips		1
51	5750179	Wheel 24" Db, Punctureproof, 0 Clips		1
52	1415558	Wheel 22" Db, Pneu., Profiled, 4 Clips		1
52	5207436	Wheel 22" Db, Pneu., Profiled, 0Clips		1
53	5750719	Wheel 22" Db, Pneu. Non-Marking, 4 Clips		1
53	5750720	Wheel 22" Db, Pneu. Non-Marking, 0 Clips		1
54	1451560	Wheel 22" Db, Solid, 4 Clips		1
54	1434801	Wheel 22" Db, Solid, 0 Clips		1
55	5207439	Wheel 22" Db, Punctureproof, 4 Clips		1
55	5207438	Wheel 22" Db, Punctureproof, 0 Clips		1
56	1488872	Wheel 20" Db, Pneu. Profiled, 4 Clips		1
57	1488871	Wheel 20" Db, Pneu. Non-Marking, 4 Clips		1
58	5102807	Spoke Protection 24" Frosted Cpl		1
59	5102800	Spoke Protection 22" Frosted Cpl		1
60	5102795	Spoke Protection 20" Frosted Cpl		1
61	5750161	Tube 24"X1" (25-540)		1
61	5750036	Tube 24"X1 3/8"		1
62	5750035	Tube 22"X1 3/8"		1
63	5750034	Tube 20"X1 3/8"		1
64	1510495	Handrim Aluminium Cpl, 22" Wheel		1
65	1518609	Handrim Plastic Cpl, 22" Wheel		1
66	1510543	Handrim Aluminium Cpl, 20" Wheel		1
67	1533006	Handrim Plastic Cpl, 20" Wheel		1

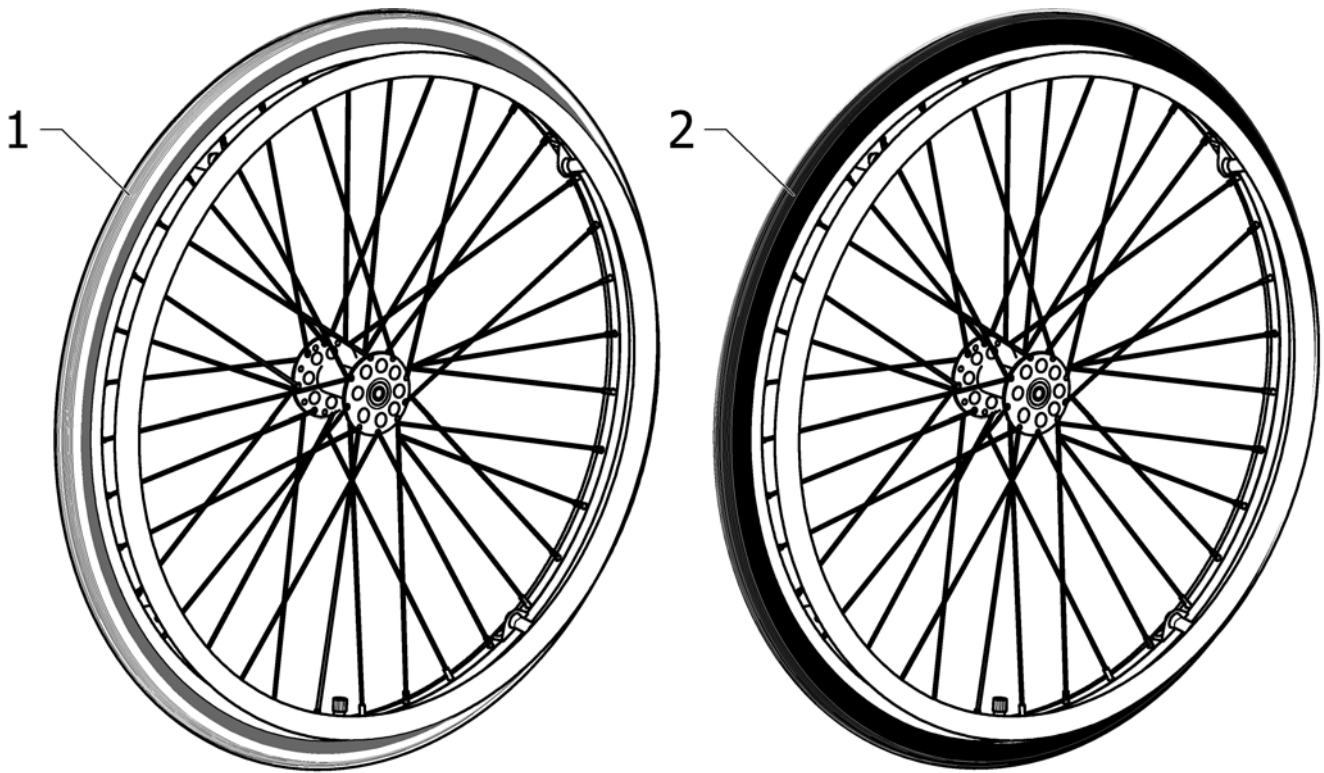
Wheel 26-25"

25"	1
26"	2



Pos.	Part number	Description	Valid from → until	Qty
1	1508583	25 INCH LOW PROFILE ALU		1
2	1508584	26 INCH LOW PROFILE ALU		1
3	1517344	TYRE 25X1" LOW PROFILE (25-559)		1
4	1517345	TYRE 26X1" LOW PROFILE (25-590)		1
5	1517346	TUBE 25X1" CAR VALVE (25-559)		1
6	1517359	TUBE 26X1" CAR VALVE (25-590)		1

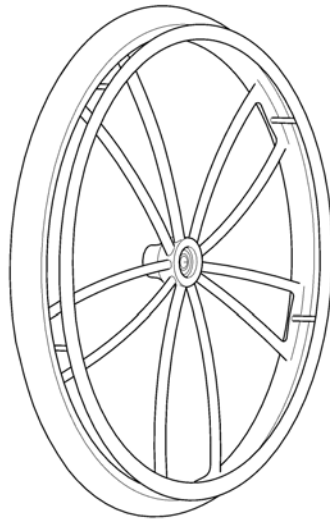
Wheel 24" SPORTY



SPS1483924

Pos.	Part number	Description	Valid from → until	Qty
1	1483924	Wheel 24" Sporty + Handrim, Alu.		1
2	1512822	Wheel 24" Sporty, Black Marathon Evo + Handrim, Alu.		1

Wheel 24" SPIDER

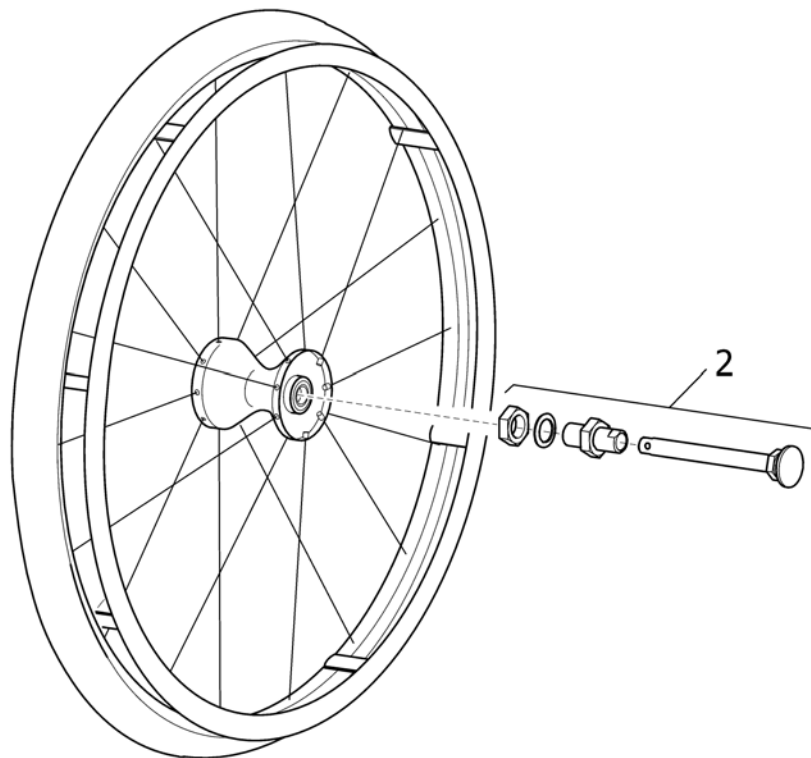


SP55750796

Pos.	Part number	Description	Valid from → until	Qty
1	5750796	24X1 INCH SPIDER /21 INCH ALU		1

Wheel 24" SPINERGY

1

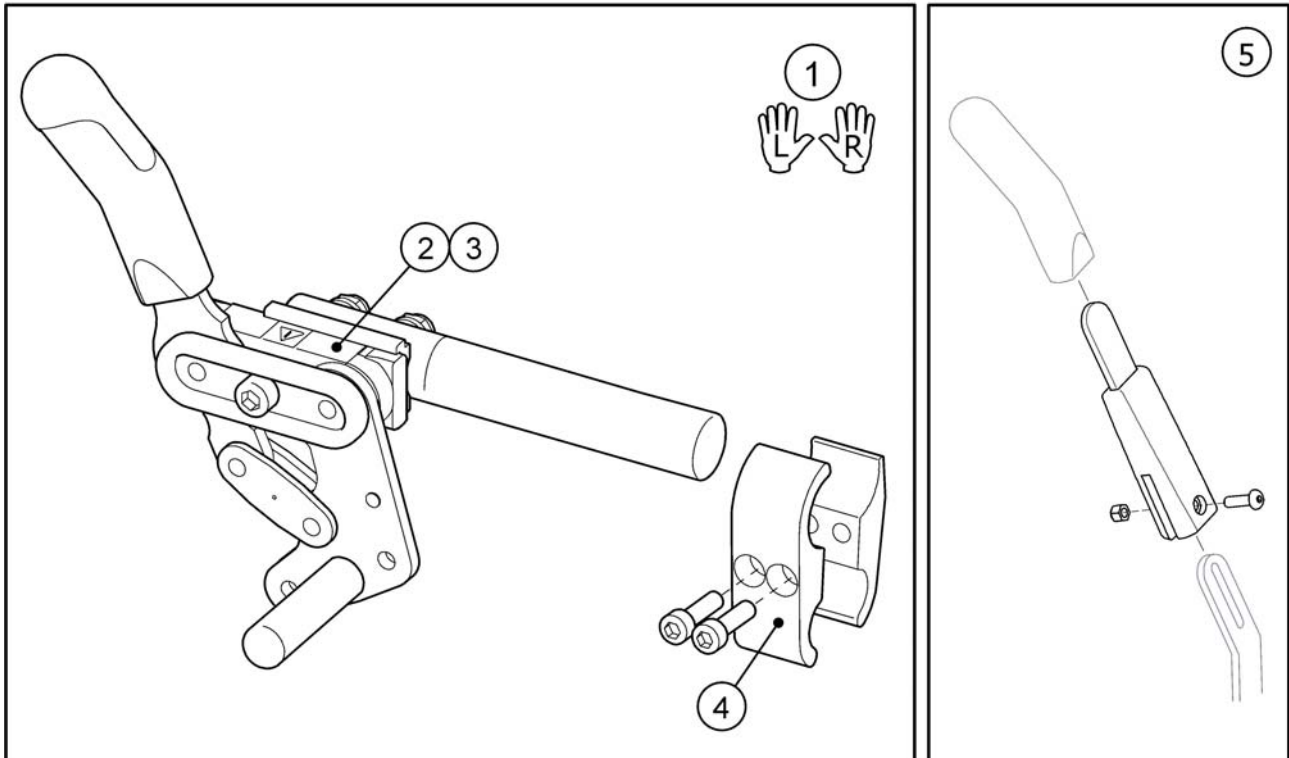


SPS1518685

Pos.	Part number	Description	Valid from → until	Qty
1	1497787	24" Spinergy BM-EVO/21"Titan, 12mm Larger		1
2	1518685	QR Axle Kit for 24" Spinergy Wheel		1

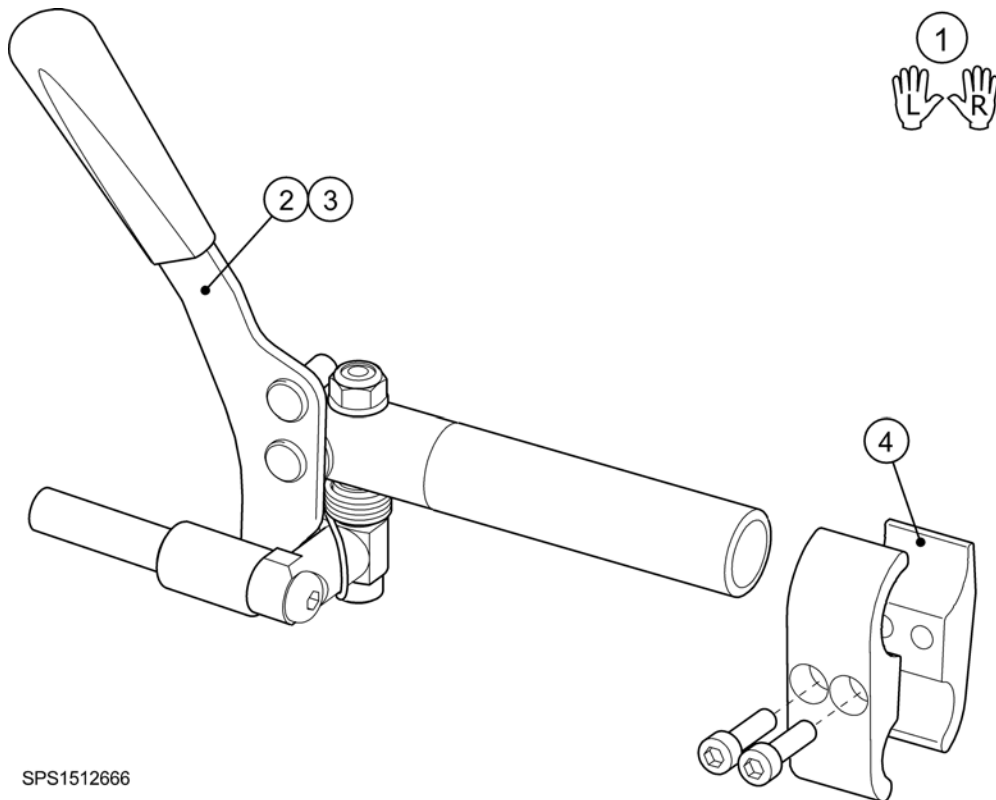
Brake, Standard

SPS1512660



Pos.	Part number	Description	Valid from → until	Qty
1	1512662	BRAKE, STANDARD, PAIR		1
2	1512660	BRAKE STANDARD, LE, CPL		1
3	1512661	BRAKE STANDARD, RI, CPL		1
4	1512740	ATTACHMENT, BRAKE, CPL		1
5	5203340	BRAKE ARM EXTENSION CPL		1

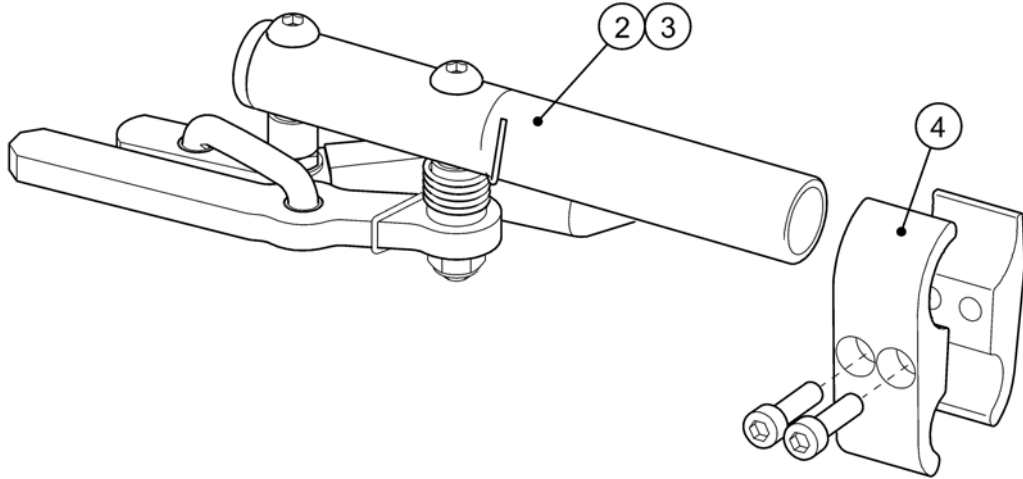
Brake, Performance



SPS1512666

Pos.	Part number	Description	Valid from → until	Qty
1	1512668	BRAKE PERFORMANCE, PAIR		1
2	1512131	Performance brake left		1
3	1512132	Performance brake right		1
4	1512740	ATTACHMENT, BRAKE, CPL		1

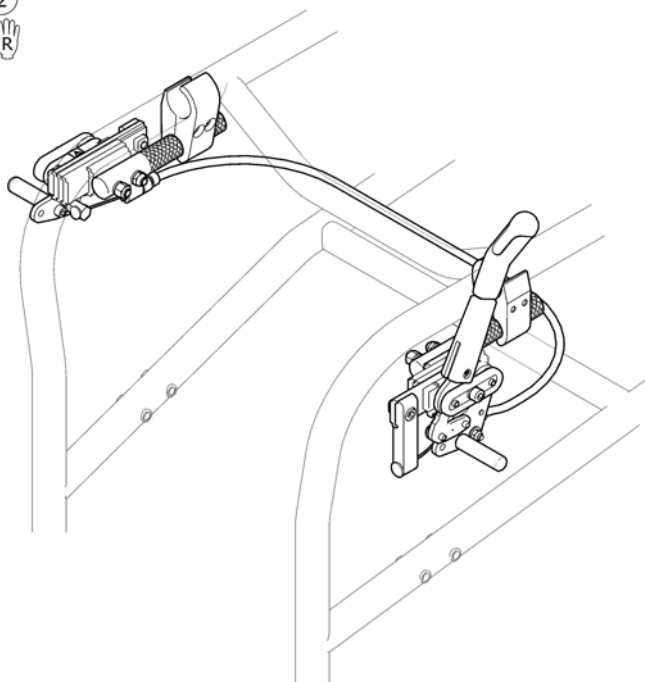
Brake, Active



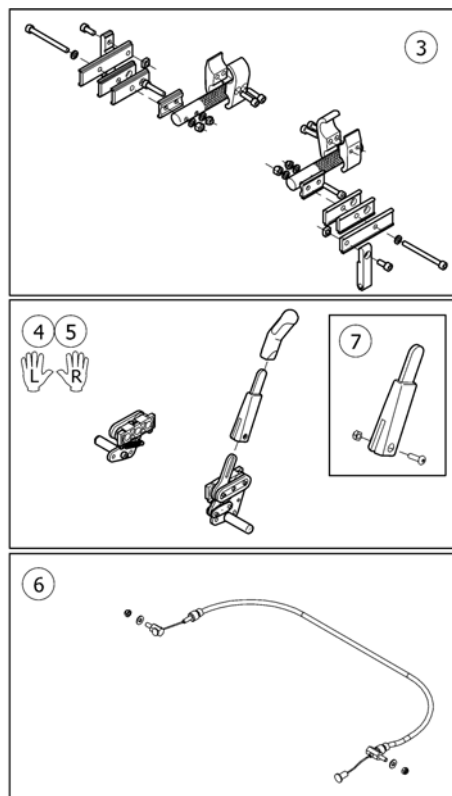
SPS1512663

Pos.	Part number	Description	Valid from → until	Qty
1	1512665	BRAKE ACTIVE, PAIR		1
2	1512133	Active brake left		1
3	1512134	Active brake right		1
4	1512740	ATTACHMENT, BRAKE, CPL		1

One arm brake

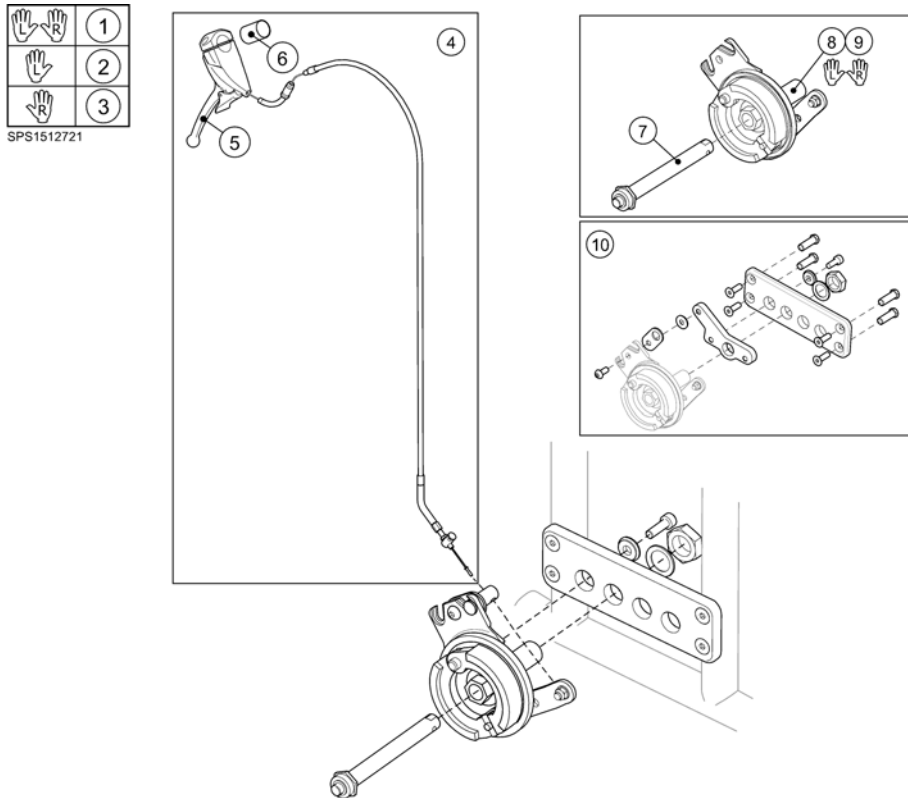


SPS1512669



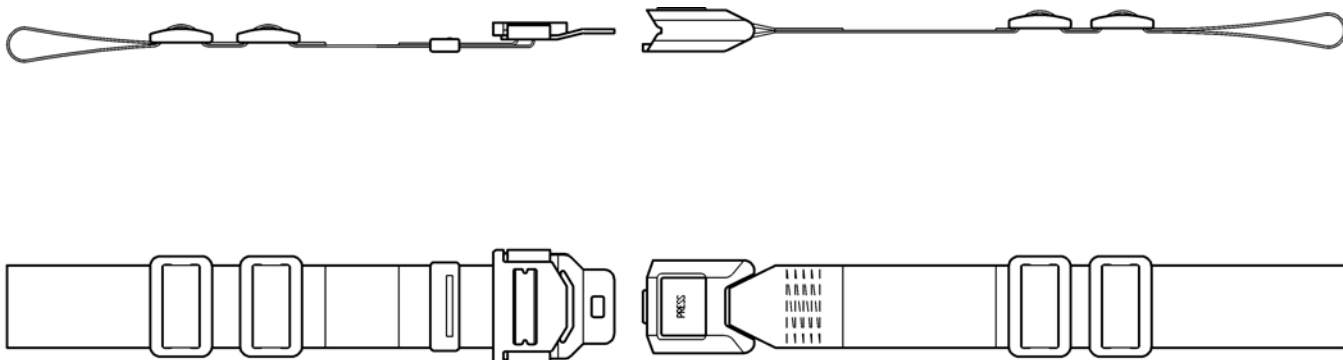
Pos.	Part number	Description	Valid from → until	Qty
1	1512669	BRAKE ONE-ARM, LE, CPL		1
2	1512670	BRAKE ONE-ARM, RI, CPL		1
3	1514786	ATTACHMENT PAIR ONE ARM BRAKE, XLT		1
4	1518563	One arm brake, left		1
5	1518564	One arm brake, right		1
6	1514742	WIRE CONTROL ONE ARM BRAKE		1
7	5203340	BRAKE ARM EXTENSION CPL		1

Drumbrake



Pos.	Part number	Description	Valid from → until	Qty
1	1512718	KIT, DB, CPL, PAIR, INCL, ATTACHM.		1
2	1512720	ATTACHMENT, REAR WHEEL, DB, CPL, QR, LE, XLT		1
3	1512721	ATTACHMENT, REAR WHEEL, DB, CPL, QR, RI, XLT		1
4	1497616	KIT, WIRE, DB, L=780		1
5	5735256	Brake Handle		1
6	5221363	ADAPTER BRAKE HANDLE		1
7	5750192	Axle, Drumbrake		1
8	5750199	Drumbrake Unit, Lh		1
9	5750705	Drumbrake Unit, Rh		1
10	1514456	ATTACHMENT, PAIR, DRUMBRAKE, XLT 2008		1

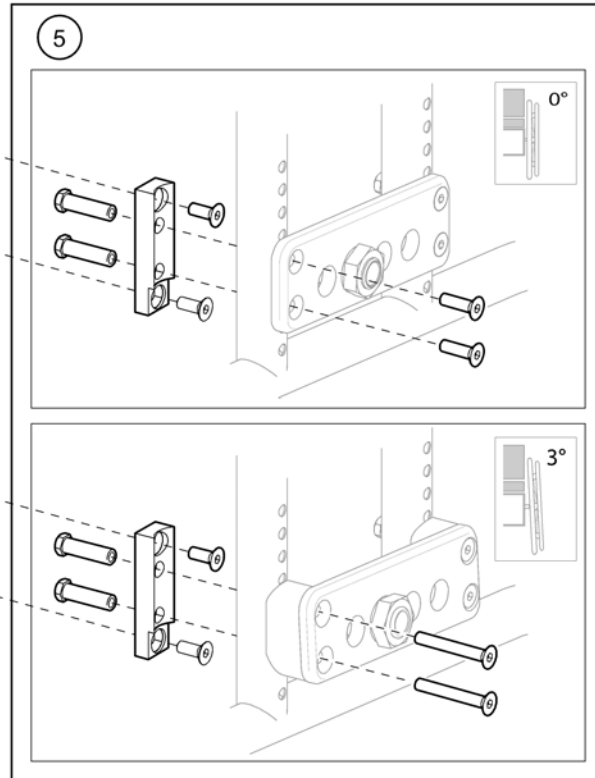
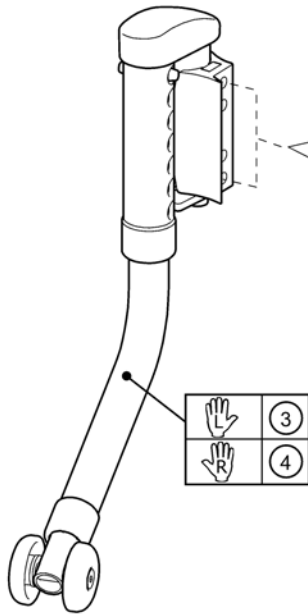
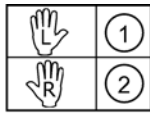
Pelvic belt



SPS5252276

Pos.	Part number	Description	Valid from → until	Qty
	5252276	PELVIC BELT		1

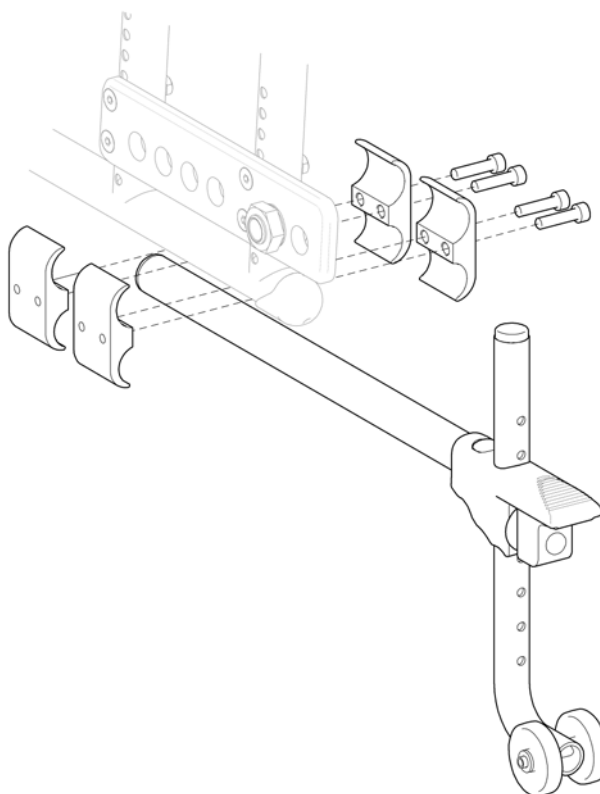
Anti-tip device



Pos.	Part number	Description	Valid from → until	Qty
1	1512715	ANTI-TIP DEVICE, LE, CPL		1
2	1512716	ANTI-TIP DEVICE, RI, CPL		1
3	1509928	ANTI-TIP DEVICE SWING AWAY, HIGH, LE		1
4	1509927	ANTI-TIP DEVICE SWING AWAY, HIGH, RI		1
5	1513021	KIT, ATTACHMENT PAIR, ANTI-TIP DEVICE SWINGAWAY, XLT		1

Anti-tip device, Extended

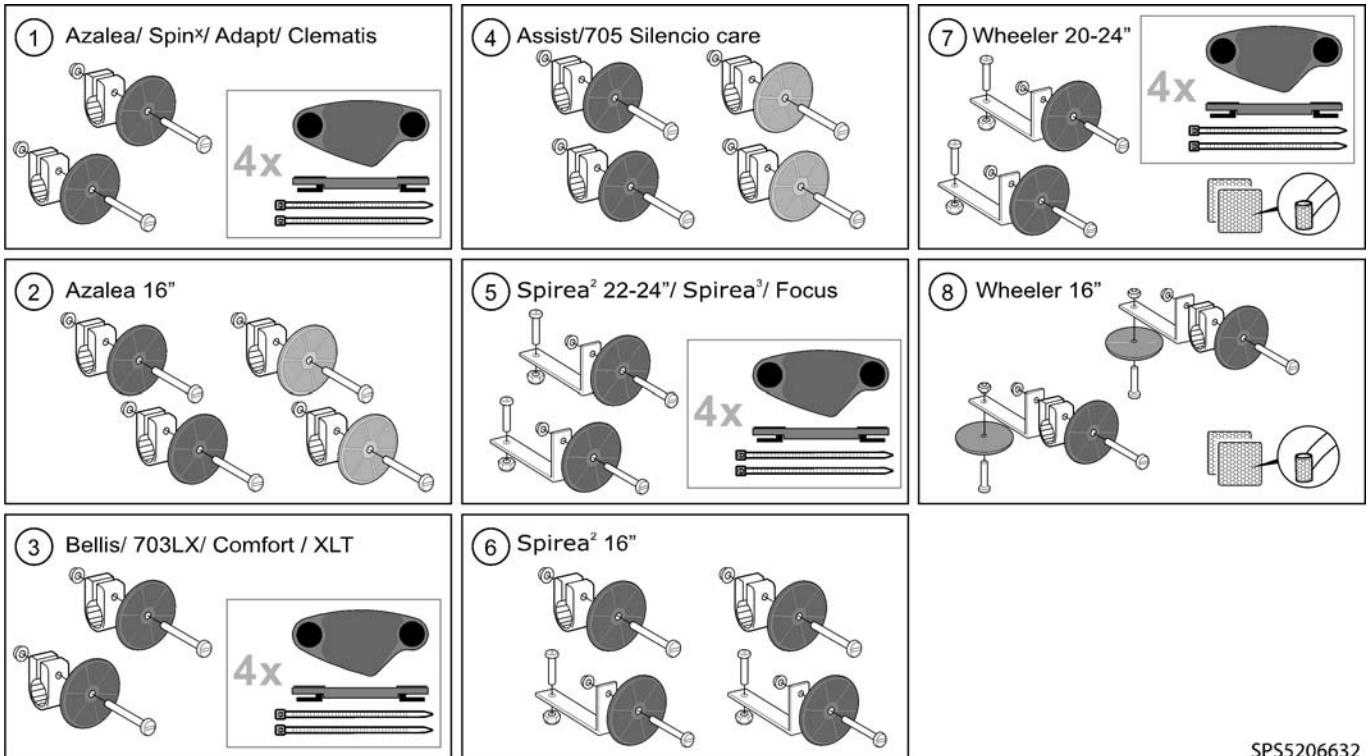
①



SPS1518488

Pos.	Part number	Description	Valid from → until	Qty
1	1518488	Anti Tip Device, Extended		1

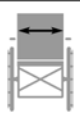
Reflector

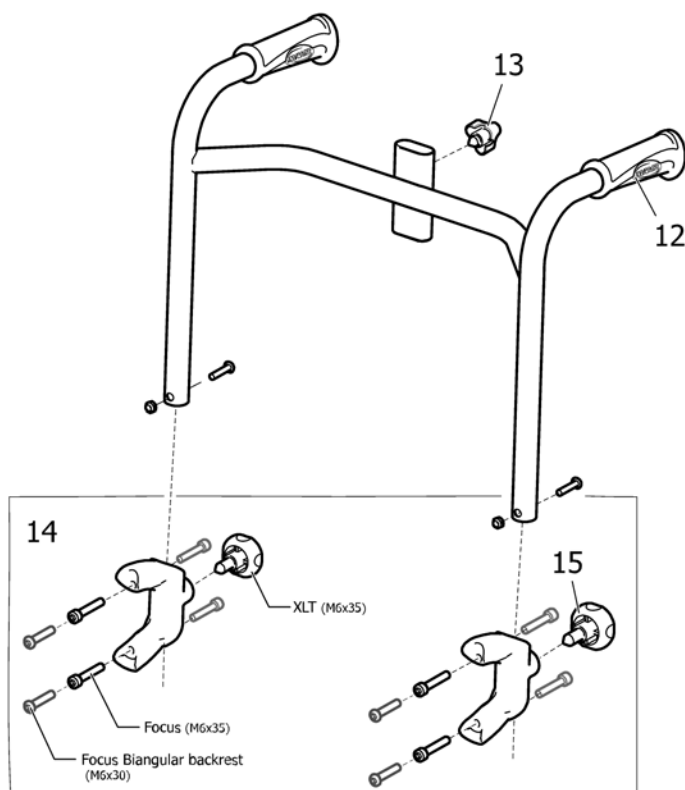


SP55206632

Pos.	Part number	Description	Valid from → until	Qty
1	5206655	REFLECTOR KIT, AZALEA		1
2	5254249	REFLECTOR KIT, AZALEA 16" WHEEL		1
3	5206640	REFL. KIT COM,REA,XLT,BE		1
4	1415574	REFLECTOR KIT, ASSIST		1
5	5104965	REFLECTOR KIT, SPIREA2		1
6	1435760	REFLECTOR KIT, SPIREA2 16" WHEEL		1
7	5108147	REFLECTOR KIT, WHEELER		1
8	5108024	REFLECTOR KIT, WHEELER 16" WHEEL		1

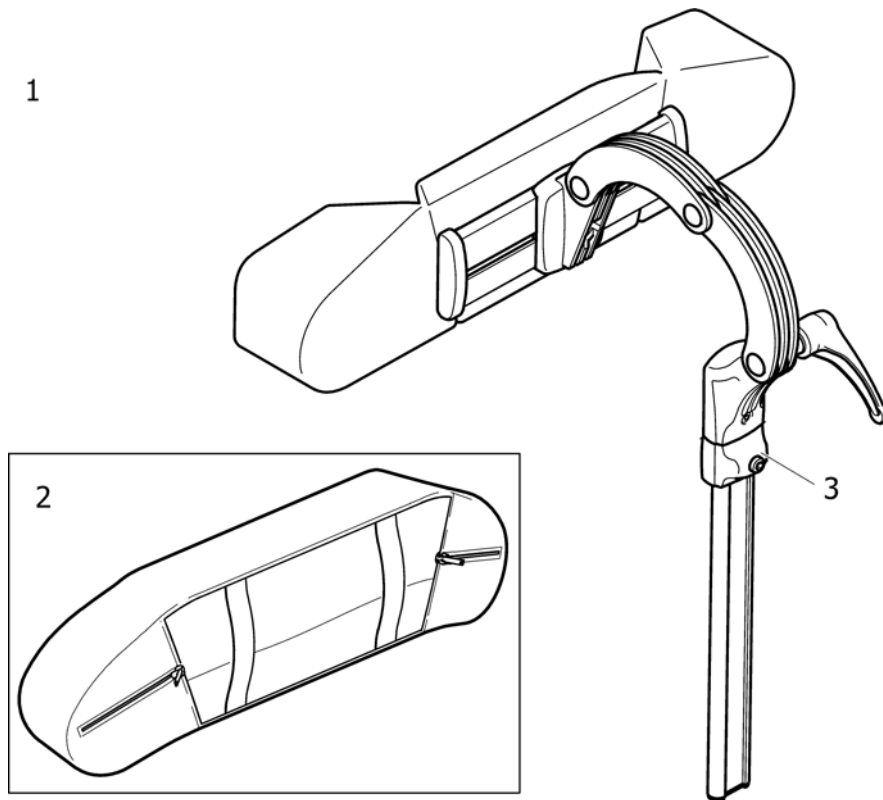
Bar, Neck-Headrest

	
SW (cm)	
Focus, Spirea ³ , XLT	
33	1
35,5	2
38	3
40,5	4
43	5
45,5	6
48	7
50,5	8
53	9
55,5	10
60,5	11



Pos.	Part number	Description	Valid from → until	Qty
1	1512900	Bow, Head & Neckrest, SW 33/34		1
2	1530539	Bow, Head & Neckrest, SW 35.5		1
3	1435750	Bow, Head & Neckrest, SW 38 (355)		1
4	1483920	Bow, Head & Neckrest, SW 40.5 (380)		1
5	1435751	Bow, Head & Neckrest, SW 43 (405)		1
6	1483921	Bow, Head & Neckrest, SW 45.5 (430)		1
7	1435752	Bow, Head & Neckrest, SW 48 (455)		1
8	1483922	Bow, Head & Neckrest, SW 50.5 (480)		1
9	1435539	Bow, Head & Neckrest, SW 53 (505)		1
10	1532498	BOW, NECKREST, CPL SEAT WIDTH 55.5		1
11	1532563	BOW, NECKREST, CPL SEAT WIDTH 60.5		1
12	1435420	Handle D20, Invacare		1
13	5221122	Handwheel M12		1
14	1512904	Attachment, Pushhandles, Pair		1
15	1434841	Handwheel M10-22,5		1

Headrest

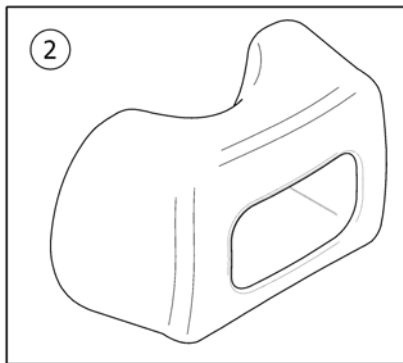
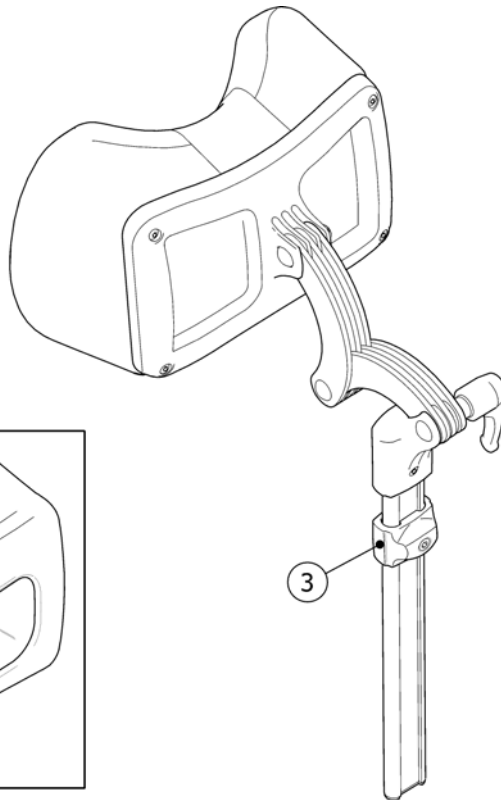


SPS1446559

Pos.	Part number	Description	Valid from → until	Qty
1	1446559	HEADREST TR26 CPL SIDEWISE ADJUSTABLE		1
2	1518516	COVER HEADREST TR34		1
3	1448661	Stop, Appui-Nuque/Tête, Cpl.		1

Neckrest

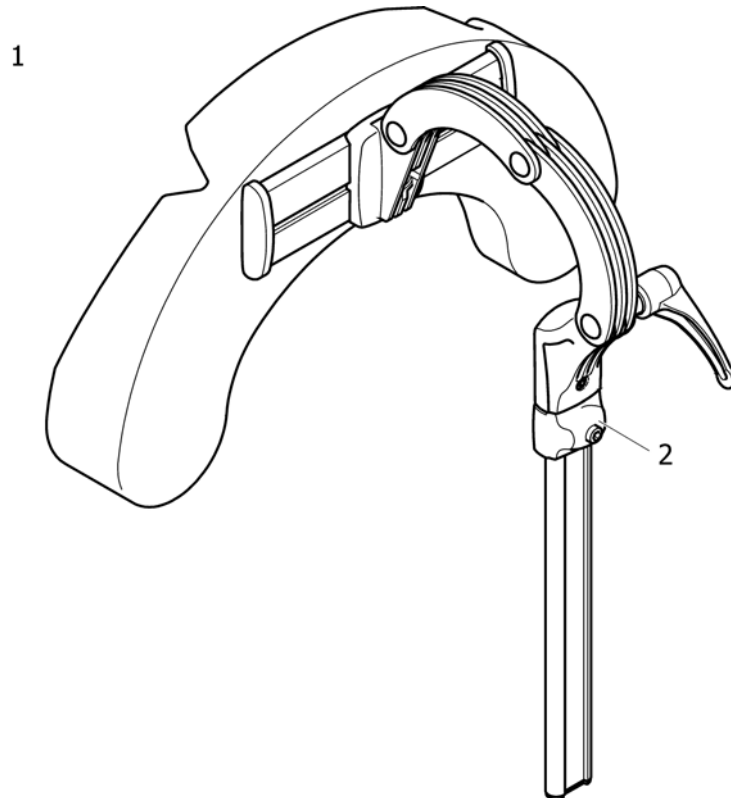
①



SPS1508848

Pos.	Part number	Description	Valid from → until	Qty
1	1508848	NECKREST, CPL		1
2	1518517	COVER NECKREST TR34		1
3	1448661	Stop, Appui-Nuque/Tête, Cpl.		1

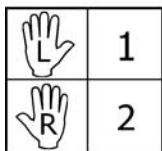
Cheek support



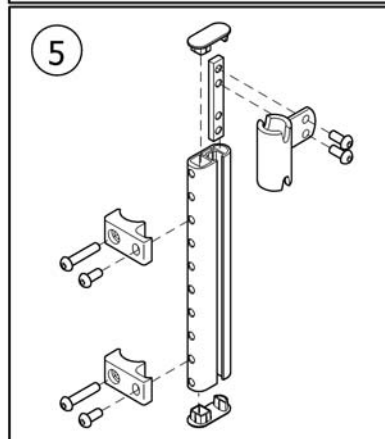
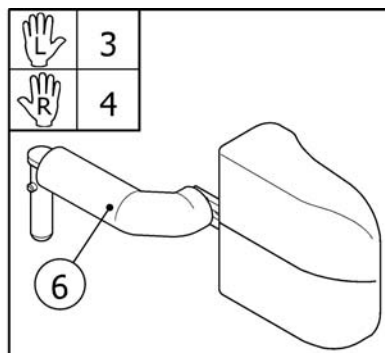
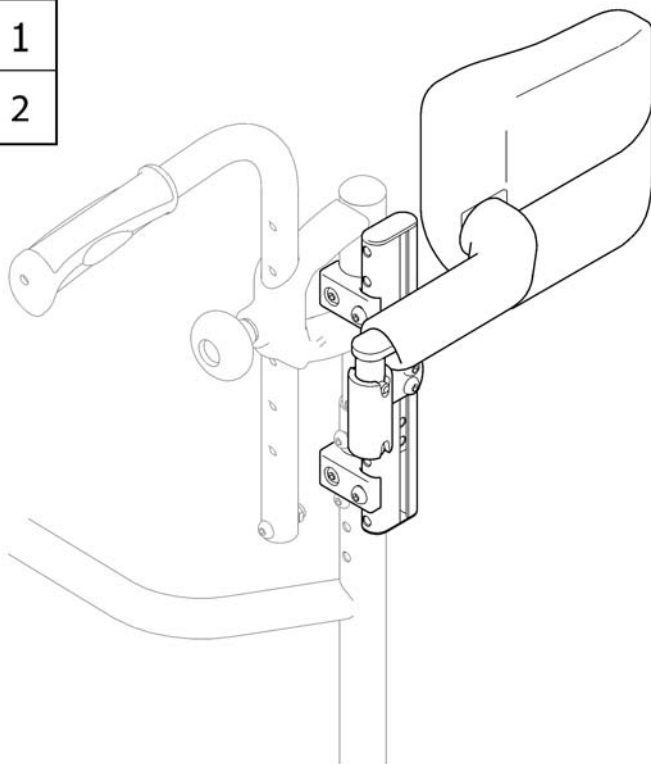
SPS1446560

Pos.	Part number	Description	Valid from → until	Qty
1	1446560	HEAD/CHEEK SUPP. TR26 CPL. SIDEWISE ADJUSTABLE		1
2	1448661	Stop, Appui-Nuque/Tête, Cpl.		1

Trunk support, "swingaway"

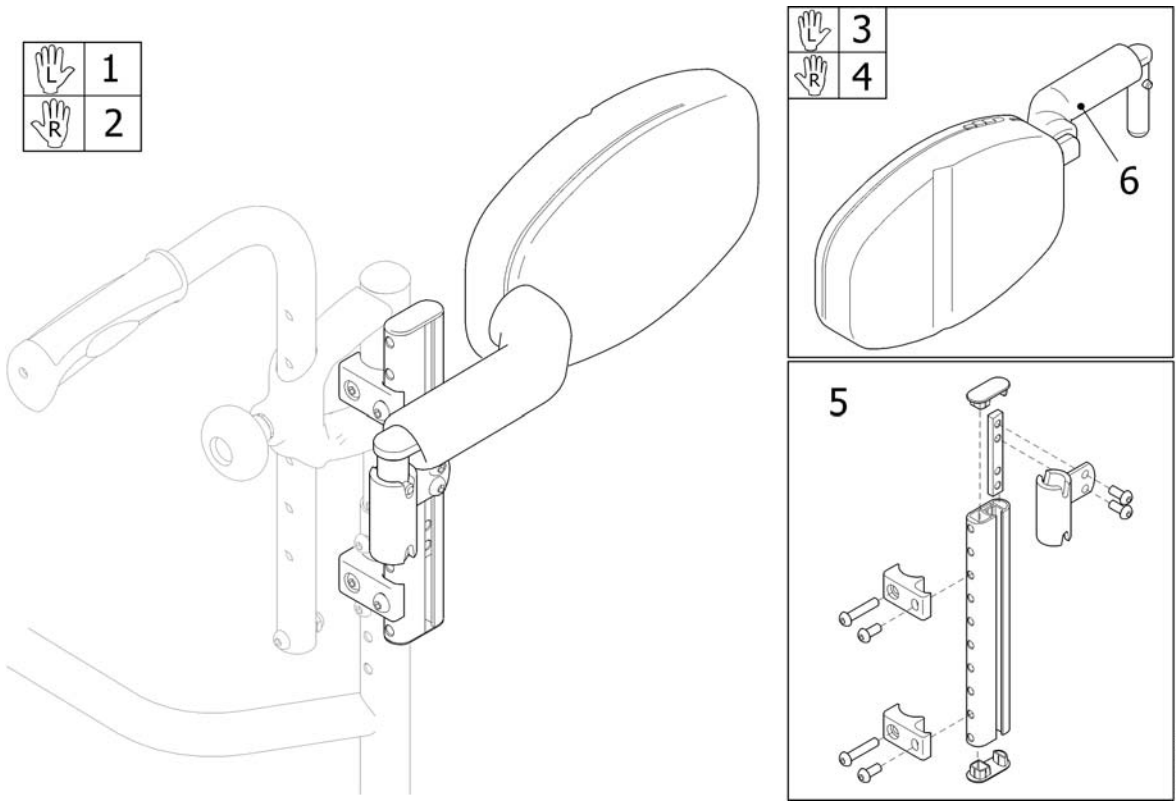


SPS1512867






Pos.	Part number	Description	Valid from → until	Qty
1	1512867	TRUNK SUPPORT, LE, CPL, INCL. ATTACHMENT		1
2	1512866	TRUNK SUPPORT, RI, CPL, INCL. ATTACHMENT		1
3	1512826	Trunk Support, Lh, Cpl.		1
4	1512825	Trunk Support, Rh, Cpl.		1
5	1512868	ATTACHMENT, TRUNK SUPPORT		1
6	1437642	GARNITURE TRINGLE CALE TRONC		1

Trunk support, multi adj, "swingaway"

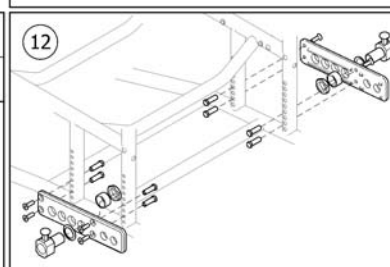
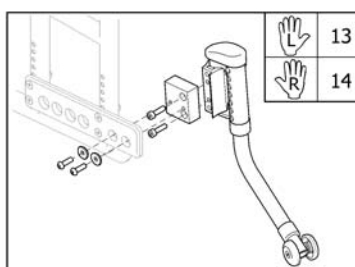
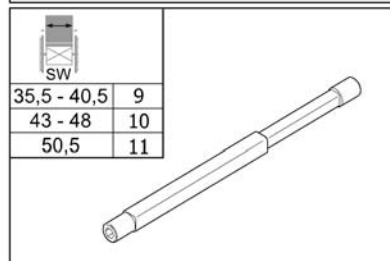
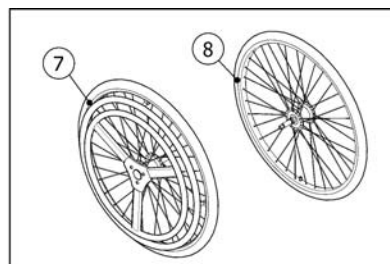
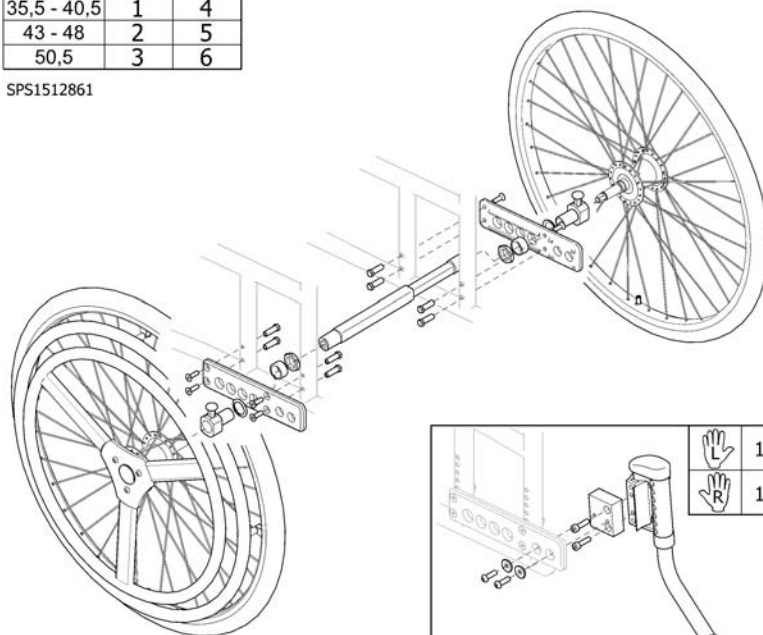


Pos.	Part number	Description	Valid from → until	Qty
1	1530502	TRUNKSUPPORT, MULTI ADJ, LEFT, INCL. ATT		1
2	1530501	TRUNKSUPPORT, MULTI ADJ, RIGHT, INCL. ATT		1
3	1529227	TRUNKSUPPORT, MULTI ADJ. XLT, LEFT, CPL		1
4	1529226	TRUNKSUPPORT, MULTI ADJ. XLT, RIGHT, CPL		1
5	1512868	ATTACHMENT, TRUNK SUPPORT		1
6	1437642	GARNITURE TRINGLE CALE TRONC		1

One arm drive

		
35,5 - 40,5	1	4
43 - 48	2	5
50,5	3	6

SPS1512861



Pos.	Part number	Description	Valid from → until	Qty
1	1512860	ONE ARM DRIVE, CPL, XLT35.5-40.5, 24" PNEU PROF		1
2	1512861	ONE ARM DRIVE, CPL, XLT43-48, 24" PNEU PROF		1
3	1512862	ONE ARM DRIVE, CPL, XLT50.5, 24" PNEU PROF		1
4	1512863	ONE ARM DRIVE, CPL, XLT35.5-40.5, 24" SOLID		1
5	1512864	ONE ARM DRIVE, CPL, XLT43-48, 24" SOLID		1
6	1512865	ONE ARM DRIVE, CPL, XLT50.5, 24" SOLID		1
7	1509382	Roue 24 Dual HR Active pneu + axe + petite MC		1
8	1508491	Roue 24 Dual HR Passive pneumatique + axe		1
9	1511769	Barre Dual HR Repère 3 Télé min=270 max=385		1
10	1508487	Barre Dual HR Repère 5 Télé min=345 max=460		1
11	1516328	TELESCOPIC SHAFT 375-495		1
12	1512852	KIT, ATTACHMENT, PAIR, ONE ARM DRIVE, XLT		1
13	1512853	ANTI-TIP DEVICE, LEFT, CPL, ONE ARM DRIVE, XLT		1
14	1512854	ANTI-TIP DEVICE, RIGHT, CPL, ONE ARM DRIVE, XLT		1

Table tray

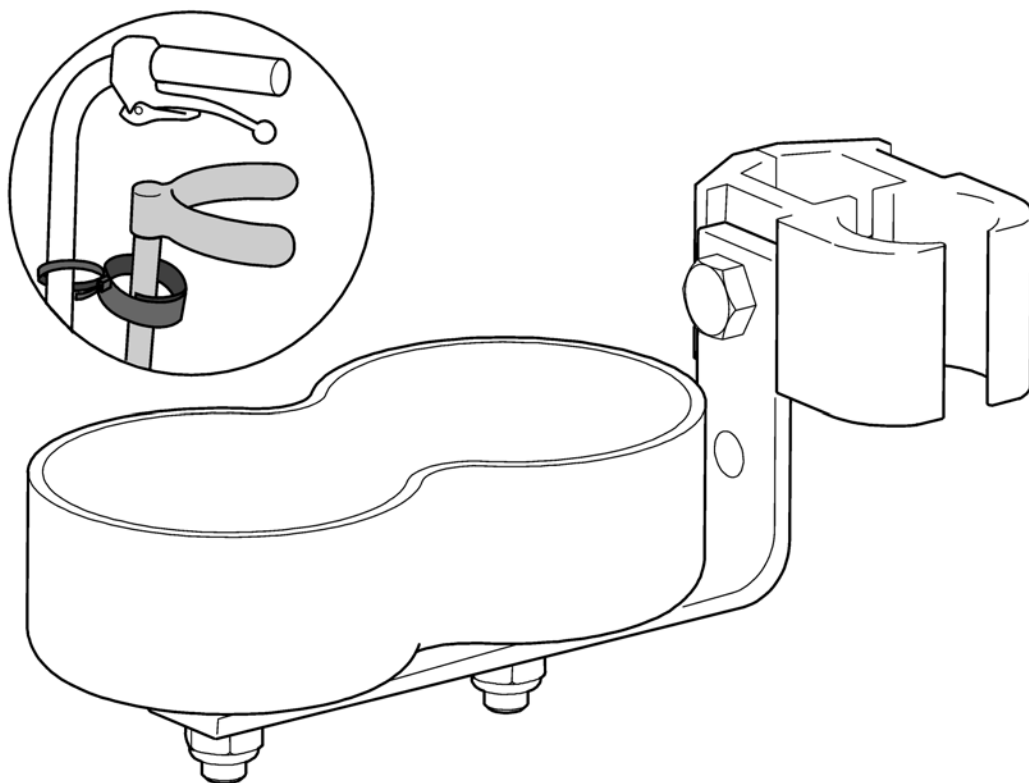
	S	M	L	XL
	1	2	3	4

	39	44	49	54	59
Rea Azalea / Rea Clematis / Rea Comfort	1	2	3	4	4
	40-50		45-55		
Rea Assist	3		4		
	39-43	44-48	49-53		
Rea Bellis	1	2	3		
Rea Bellis comfort	2	3	4		
	40	43	46	51	55
Rea 703/150 series	1	1	2	3	4
	36	38	41	43	46
Rea Adapt / Rea Spirea	1	1	2	2	3
	35,5	38	40,5	43	45,5
					48
Rea Spirea ² / Rea Spirea ³		1	2	2	3
Rea Focus / Rea Focus 150		1	1	2	3
Spin ^x / XLT	1	1	2	2	3
					1
					3
					3
					53

Pos.	Part number	Description	Valid from → until	Qty
1	5206727	Tablette + Fixation Small 405/430		1
2	5206726	Tablette + Fixation Medium 455		1
3	5206725	Tablette + Fixation Large 505		1
4	5207643	TABLE TRAY XL, CPL + MOUNTING KIT		1
5	5206642	TABLE TRAY S, CPL		1
5	5206643	TABLE TRAY CPL MEDIUM		1
5	5206644	TABLE TRAY CPL LARGE		1
5	5206654	TABLE TRAY CPL XL,ASSIST		1
6	5206648	TUBE FIX.TABLETTE GAUCHE	5206648	1
7	5206649	TUBE FIX.TABLETTE DROIT	5206649	1
8	5206650	MOUNT KIT UNIVERSAL TABL		1
9	1497825	ELBOW PAD, PAIR, TABLE		1
10	1415416	LOCK KIT FOR TABLE		1

Crutch holder

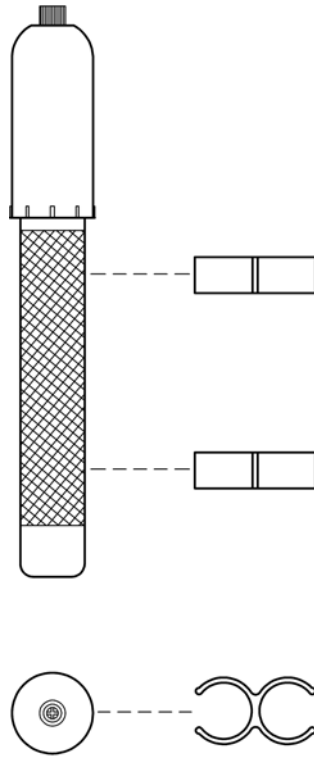
1



SPS5106390

Pos.	Part number	Description	Valid from → until	Qty
	5106390	CRUTCH HOLDER		1

Pump

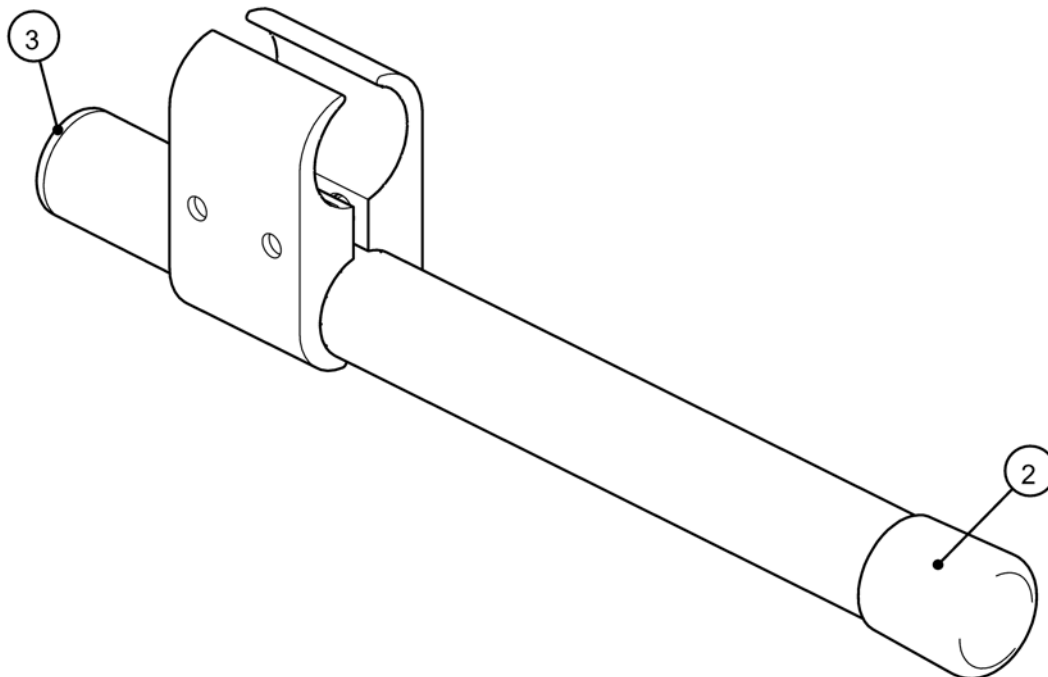


SPS575072€

Pos.	Part number	Description	Valid from → until	Qty
	5750729	PUMP CPL,MODEL-97		1

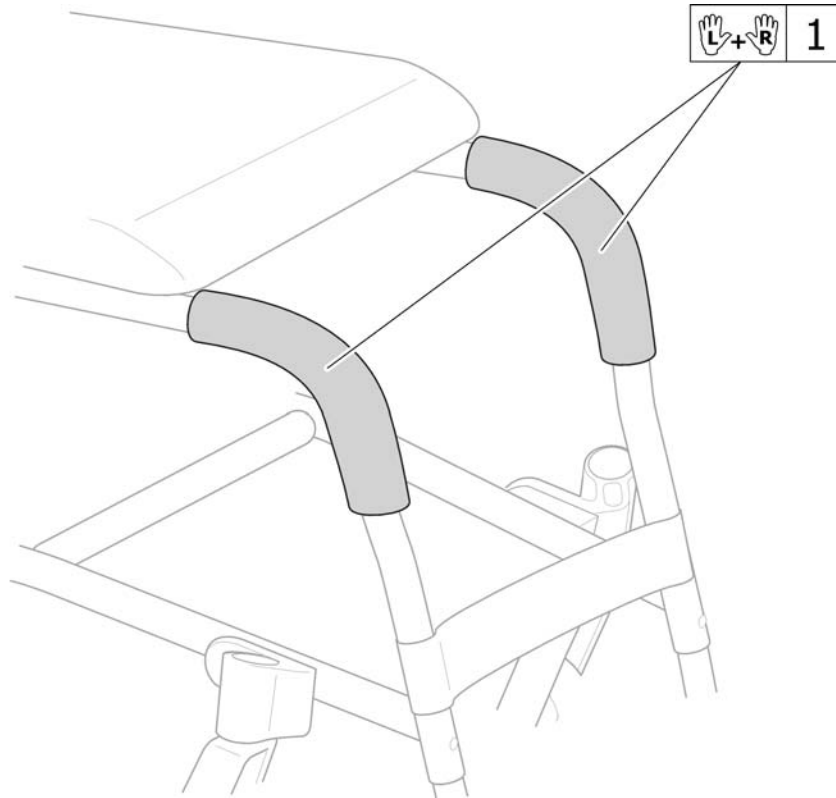
Step tube

1



Pos.	Part number	Description	Valid from → until	Qty
1	1493346	STEPTUBE STRAIGHT CPL		1
2	5716299	PLASTIC CAP K 22 BLACK		1
3	5716296	PLUG Ø22X19.5, PLASTIC BLACK		1

Frame cover



SPS5226144

Pos.	Part number	Description	Valid from → until	Qty
1	1512831	Frame Cover, Pair		1



Yes, you can.®



Belgium & Luxemburg:

Invacare nv, Autobaan 22, B-8210 Loppem
Tel: (32) (0)50 83 10 10, Fax: (32) (0)50 83 10 11
belgium@invacare.com

Danmark:

Invacare A/S, Sdr. Ringvej 37, DK-2605 Brøndby
Tel: (45) (0)36 90 00 00, Fax: (45) (0)36 90 00 01
denmark@invacare.com

Deutschland:

Invacare Aquatec GmbH, Alemannenstraße 10, D-88316 Isny
Tel: (49) (0)75 62 7 00 0, Fax: (49) (0)75 62 7 00 66
info@invacare-aquatec.com

European Distributor Organisation:

Invacare, Kleiststraße 49, D-32457 Porta Westfalica
Tel: (49) (0)57 31 754 540, Fax: (49) (0)57 31 754 541
edo@invacare.com

España:

Invacare SA, c/Areny s/n, Polígon Industrial de Celrà, E-17460 Celrà (Girona)
Tel: (34) (0)972 49 32 00, Fax: (34) (0)972 49 32 20
contactsp@invacare.com

France:

Invacare Poirier SAS, Route de St Roch, F-37230 Fondettes
Tel: (33) (0)2 47 62 64 66, Fax: (33) (0)2 47 42 12 24
contactfr@invacare.com

Ireland:

Invacare Ireland Ltd, Unit 5 Seatown Business Campus, Seatown Road, Swords, County Dublin - Ireland
Tel: (353) 1 810 7084, fax: (353) 1 810 7085
ireland@invacare.com

Italia:

Invacare Mecc San s.r.l., Via dei Pini 62, I-36016 Thiene (VI)
Tel: (39) 0445 38 00 59, Fax: (39) 0445 38 00 34
italia@invacare.com

Nederland:

Invacare BV, Celsiusstraat 46, NL-6716 BZ Ede
Tel: (31) (0)318 695 757, Fax: (31) (0)318 695 758
nederland@invacare.com, cse@invacare.com

Norge:

Invacare AS, Grensesvingen 9, Postboks 6230, Etterstad, N-0603 Oslo
Tel: (47) (0)22 57 95 00, Fax: (47) (0)22 57 95 01
norway@invacare.com, island@invacare.com

Österreich:

Mobitec Mobilitätshilfen GmbH, Herzog Odilostrasse 101, A-5310 Mondsee
Tel: (43) 6232 5535 0, Fax: (43) 6232 5535 4
office@mobitec-austria.com, austria@invacare.com

Portugal:

Invacare Lda, Rua Estrada Velha, 949, P-4465-784 Leça do Balio
Tel: (351) (0)225 1059 46147, Fax: (351) (0)225 1057 39
portugal@invacare.com

Sverige & Suomi:

Invacare AB, Fagerstagatan 9, S-163 91 Spånga
Tel: (46) (0)8 761 70 90, Fax: (46) (0)8 761 81 08
sweden@invacare.com, finland@invacare.com

Switzerland:

Mobitec Rehab AG, Benkenstrasse 260, CH-4108 Witterswil
Tel: (41) (0)61 487 70 80, Fax: (41) (0)61 487 70 81
office@mobitec-rehab.ch, switzerland@invacare.com

United Kingdom:

Invacare Limited, Pencoed Technology Park, Pencoed, Bridgend CF35 5HZ
Switchboard Tel: (44) (0)1656 776200, Fax: (44) (0)1656 776201
Customer services Tel: (44) (0)1656 776222, Fax: (44) (0)1656 776220
UK@invacare.com