



TIMO d.o.o. Ajdovščina  
Pod letališčem 5, 5270 Ajdovščina, Slovenija  
Tel.: +386 (0)5 36 89 330 - Fax: +386 (0)5 36 63 805  
info@timo.si - www.timo.si

DDV ID: SI79828612  
MŠ: 5545935000  
BIC: KBMASI2X  
IBAN: SI56 0475 1000 0200 307

## USER AND MAINTENANCE MANUAL

### Shower trolley – hydraulic art.155000 and 155010



The shower trolley is manufactured in accordance with the requirements of Regulation 2017/745 for medical devices and the technical standards for SIST EN 60601-1, SIST EN 60601-2-52.



Timo d.o.o. Ajdovščina,  
Pod letališčem 5,  
5270 Ajdovščina,  
Tel. 00386 (0)5/3689 330,  
Fax 00386 (0)5/3663805  
e-mail: [info@timo.si](mailto:info@timo.si)  
<http://www.timo.si>



**Carefully read the manual before  
you start using this product**

## TABLE OF CONTENTS

<b>USER AND MAINTENANCE MANUAL .....</b>	<b>1</b>
TABLE OF CONTENTS.....	2
<b>1. PRESENTATION .....</b>	<b>4</b>
1.1. Congratulations.....	4
1.2. Assistance — help .....	5
1.3. Warranty .....	5
<b>2. INFORMATION .....</b>	<b>6</b>
2.1. Purpose of use.....	6
2.2. Presentation – Product description .....	6
<b>3. SAFETY.....</b>	<b>8</b>
3.1. General instructions for safety compliance .....	8
3.2. Special instructions for safety compliance.....	9
3.3. Outstanding risk areas .....	10
3.4. Safety mechanisms of the shower trolley.....	10
3.5. Staff training.....	12
<b>4. POSITION OF SYMBOLS AND LABELS ON THE SHOWER TROLLEY .....</b>	<b>12</b>
<b>5. TECHNICAL DATA .....</b>	<b>14</b>
5.1. Shower trolley specifications.....	14
<b>6. HANDLING - MOVING .....</b>	<b>15</b>
6.1. Lifting the shower trolley art. 155000 and 155010 from the packaging.....	15
6.2. Handling .....	16
6.3. Shower trolley storage .....	17
6.4. Transportation .....	18
6.5. Re-use .....	18
<b>7. INSTALLATION .....</b>	<b>18</b>
7.1. Installation .....	18
<b>8. CONTROL.....</b>	<b>18</b>
8.1. Use .....	19
8.2. Home care use of shower trolley .....	23
8.3. Manual controls - adjustments .....	23
8.3.1. Regulation of head rest (art.155010).....	23
8.3.3. Lateral tilt of 90° (art. 155000).....	25
8.3.4. Adjusting of safety side rails .....	26
8.4. Positioning objects - personal items of the patient .....	26
8.5. Moving the shower trolley .....	27
<b>9. CLEANING AND DISINFECTION .....</b>	<b>27</b>
9.1. Cleaning and disinfection .....	27
<b>10. MAINTENANCE .....</b>	<b>28</b>
10.1. Lubrication .....	28
10.2. Checking parts of the shower trolley .....	28
<b>11. PROBLEMS - FAILURES .....</b>	<b>30</b>
<b>12. DECOMMISSIONING .....</b>	<b>30</b>
<b>13. Spare parts list .....</b>	<b>32</b>
13.1. Spare part list of base.....	32
13.2. Spare part list of mattress platform (art.155000).....	33
13.3. Spare part list of mattress platform (art.155010).....	34
13.4. Spare part list of mattress.....	35
<b>14. Notification in a case of incidents .....</b>	<b>36</b>
<b>MAINTENANCE AND SERVICES FORM .....</b>	<b>37</b>

---

**ATTENTION!**



This manual must be read carefully before starting the installation, moving and using the **shower trolley art. 155000 and art. 155010**.

- # This manual must be safely stored and always available to the person who is responsible for the installation, transport, use, maintenance and repairs, as well as to the person operating the shower trolley etc.
- # This manual describes how the shower trolley should be used, and gives details of how the shower trolley must be installed, transported, assembled and used. It also describes how to install or replace the necessary accessories, as well as provides descriptions of the parts that expose of outstanding risks, etc.
- # It should be noted that the manual cannot always fully describe the appropriate interventions and repairs to technical staff and users who do not have the adequate skills for certain complex operations. For this reason, the manual contains information about the authorized service provider who was trained and is authorized by the manufacturer to perform complex procedures.
- # This manual must be an integral part of the shower trolley equipment and must be stored for as long as the trolley is in operation i.e. until it is discarded. In case you lose the manual, ask the manufacturer/distributor for another copy.
- # Make sure that all users are aware of the proper functioning of the shower trolley as well as all the symbols - the labels on the shower trolley.
- # All accidents can be avoided by taking into account the technical instructions that are prepared and written in accordance with the applicable **EEC** legislation.
- # In any case, it is necessary to also take into account the applicable regulations in the country where the product is used.
- # Do not use the shower trolley in oxygen rich environment, in presence of heat source or flammable anaesthetic gases, to avoid explosion or fire.
- # Never leave the patient alone on the shower trolley without the supervision of nursing staff!
- # To prevent the movement of the shower trolley - art. 155000 and 155010, and the fall of the patient, do not use this shower trolley - art. 155000 and 155010 on surfaces with depressed drains, holes or inclined surfaces that exceed a ratio of 1: 50 (1,15°).
- # To avoid electric shock, do not use other electrical equipment. near the shower trolley - art. 155000 and 155010
- # Make sure that patient has hair and limbs close to the body, to avoid pinch or grip. Make sure also that in case of moving patient the side rails are raised up.
- # In case of moving a patient from the bed to a shower trolley - art. 155000 and 155010 and vice versa ago, and during showering, always make sure that the wheels are locked and the brake pedal position is blocked as shown in figure 15 in Section 6.2., in order to avoid a fall of the patient.
- # That shower trolley - art. 155000 and 155010 do not tip over, do not lift or lower the other equipment near to the shower trolley - art. 155000 and 155010. Take also attention to a stationary object in the case of regulation of height of shower trolley - art. 155000 and 155010






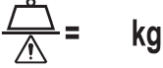

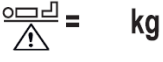





**Symbols — labels — protective elements should never be removed from the shower trolley.**

**No part of this manual may be altered or copied without permission of TIMO d.o.o. Ajdovščina.**

## SYMBOLS

Symbols used in this manual.

	<b>IMPORTANT</b>		<b>Manufacturer</b>
	FOLLOW THE INSTRUCTION WRITTEN IN THIS PARAGRAPH		<b>Medical device</b>
	<b>USER TYPE A</b> Equipment user		<b>Safe working load</b>
	<b>USER TYPE B</b> Tehcnical maintenance of equipment		<b>Maximum patient weight</b>
	IN ACCORDANCE WITH REGULATION 2017/745 on medical devices		<b>Carefully read the manual before you start using this product</b>
	<b>Date of production</b> (week / year)		

## 1. PRESENTATION

### 1.1. Congratulations

Dear customer, we are very pleased that you have decided to purchase one of our products.

Each product of **TIMO d.o.o. Ajdovščina** is produced in accordance with the applicable safety manual for the protection of the medical staff and the patient. This manual describes and illustrates different uses, and the proper and safe handling of the product.

 **Please carefully read all the information in this manual**

### 1.2. Assistance — help

**TIMO d.o.o. Ajdovščina** will always be available for shower trolley service and maintenance.

The request should be issued to **TIMO d.o.o. Ajdovščina** by phone or fax (phone +3865 36 89 330, fax +3865 36 63 805).

In case you have purchased the product via our authorized dealer, you must submit your service request to them or to an **authorized service provider**.

Unauthorized changes of shower trolley - art. 155000 and 155010, produced by Timo d.o.o. Ajdovščina may affect on its safety. Timo d.o.o. Ajdovščina is not responsible for the accident, incident or injury which might arise as a result of any unauthorized modification shower trolley - art. 155000 and 155010.

Periodically – every 6 months – the authorized service centre should perform a regular shower trolley service check. The regular service checks are recorded in a service data booklet for each shower trolley. This warranty is valid upon the fulfilment of the conditions stated above. The customer is obliged to ensure that regular service checks are carried out and that it also keeps a record on the form for the management of maintenance and service checks (page 35).

In case you require further information, please contact Timo d.o.o. Ajdovščina, we will be happy to assist you. In case you need spare parts contact your service representative.

**Dealer**

**Authorized service provider**

\_\_\_\_\_

### 1.3. Warranty

Products of **TIMO d.o.o. Ajdovščina** have a 2-year warranty beginning on the day of product delivery.

This warranty does not cover the components that have a separate original manufacturer warranty.

 **This warranty starts on the day of product delivery.**

The warranty is valid only in the event that the product has been used properly and according to the instructions described in this safety manual and with and the completed form to conduct maintenance and service checks (page 37).

Damaged parts or defective parts will be repaired or replaced with new ones at no cost to the user. This will be done by the manufacturer **TIMO d.o.o. Ajdovščina**.

When a defective part is replaced with a new part, it is necessary to return the defective part to the manufacturer **TIMO d.o.o. Ajdovščina**. Transportation costs of returning the defective part to the manufacturer are borne by the customer.

In the event that it is necessary to replace the defective part with a new one or the assistance of the manufacturer **TIMO d.o.o. Ajdovščina** is required at the customer's location, all costs of replacement parts are borne by the manufacturer, and travel expenses are charged to the customer.

Decisions about the assistance of **TIMO d.o.o. Ajdovščina** at the customer's location must be taken with respect to the content of the problem on a case-by-case basis and depending on the failure type.

- ➡ **This warranty does not cover the cost of periodic product reviews and the required parts that should be replaced during periodic reviews.**  
The warranty also does not cover product failures caused by not following this manual.
- ➡ **Repair and replacement of defective parts do not extend the overall warranty; instead, only the warranty of the particular new part is extended.**
- ➡ **The warranty excludes any agreement about replacing a defective part with a new similar product, except if the parties agree otherwise.**

## 2. INFORMATION

### 2.1. Purpose of use

- ➡ **Before you start using the product, make sure that the shower trolley art. 155000G and 155010 and all of its components operate smoothly and are not damaged.**
- ➡ **Shower trolley art. 155000 and 155010, must be used in accordance with the intended use and in accordance with these instructions.**
- ➡ **Anyone who uses shower trolley art. 155030,155030G and 155030C must read and understand the instructions for use, in case of doubt, please contact Timo d.o.o. Ajdovščina, or to our representative.**

### Purpose of use

The adjustable shower trolley – hydraulic art. **155000** and art. **155010** is intended for the care and bathing of immobile persons - patients, which are almost completely immobile and totally dependent on others for assistance. The weight of the patient must not exceed 150 kg the height of the patient must be between 120 and 190 cm.

Shower trolley is intended for indoor use in homes of the elderly, hospitals, home use.

If the product is used for purposes other than those described in this manual provided by **TIMO d.o.o. Ajdovščina**, TIMO cannot be held liable for compensation or criminally responsible for injuries and damage claims which may arise as a result of use that differs from what is described in this manual.

### 2.2. Presentation – Product description

The hydraulic adjustable shower trolley art. **155000** and **155010** manufactured by the manufacturer **TIMO d.o.o. Ajdovščina** has been manufactured in accordance with the applicable standards and shower trolley user recommendations to allow simple and safe use by the nursing staff as well as appropriate and comfortable patient treatment.

<b>Classification</b>
<b>Class I according to Regulation 2017/745</b>

Design, structural parts, safety distances and joints between components of the shower trolley art. 155000 and 155010, are manufactured to comply with all applicable standards to ensure safe operation.

All joints described below were designed to enable the patients a more friendly and safe use with the assistance of the nursing staff (professional or at home care).

### **Presentation of the shower trolley:**

With its modern form and function, the adjustable shower trolley – hydraulic **art. 155000 and art. 155010** is intended for the care and bathing of immobile persons - patients, which are almost completely immobile and totally dependent on others for assistance. The weight of the patient must not exceed 150 kg the height of the patient must be between 120 and 190 cm. The trolley mattress and the headboard cushion are made of special PVC canvas. The trolley mattress platform is height-adjustable using one hydraulic pump. The mattress platform of art. 155000 is one section and can be placed under the angle of 90° in the lateral position which enables easy cleaning and disinfection after use. The mattress platform of art. 155010 is two section and offers the head rest adjustment (0-30°) without lateral position. The structure is made of steel pipes and is powder-coated for protection against corrosion.

The hydraulic trolley art. 155000 and 155010 is equipped with the following basic equipment:

- A side rail with a special lowering/raising mechanism
- A flexible drain hose
- A headboard cushion
- Wheels  $\varnothing$  125 and a central braking system

### **Actions before first use:**

- Perform a visual check to make sure that the shower trolley 155000 and 155010 is in perfect condition and no damage has occurred during transport, as well as, with all its parts (bag, drain hose, ....)
- Packaging have to be recycled in accordance with local regulations
- Read this the instructions for use
- Disinfect shower trolley 155000 and 155010 (Chapter 9)
- Perform a test operation of the shower trolley 155000 and 155010
- For storage shower trolley 155000 and 155010 choose a dry and well-ventilated area where the shower trolley 155000 and 155010 will not be exposed to direct sunlight.
- Choose a location where you stored this User and maintenance manual

### **Actions before each use:**

- Perform a visual check to make sure that the shower trolley 155000 and 155010 is in perfect condition and the shower trolley 155000 and 155010 is not damaged
- In the case that any of parts is damaged, do not use the shower trolley 155000 and 155010
- Check that the shower trolley 155000 and 155010 is clean and disinfected

### **Adjustment options:**

**Figure 1** - MAXIMUM HEIGHT OF MATTRESS PLATFORM

**Figure 2** - MINIMUM HEIGHT OF MATTRESS PLATFORM

**Figure 3** - RAISED HEAD REST (only art. 155010)

**Figure 4 – LATERAL TILT OF 90° (only art. 155000)**

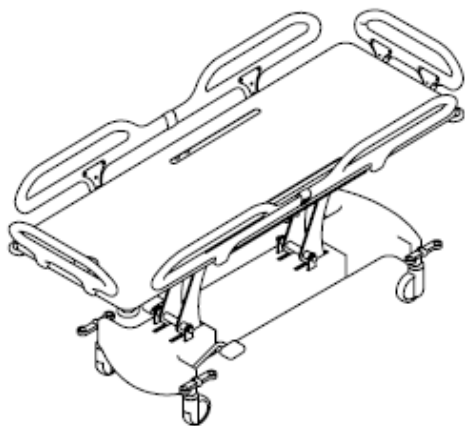


Figure.1

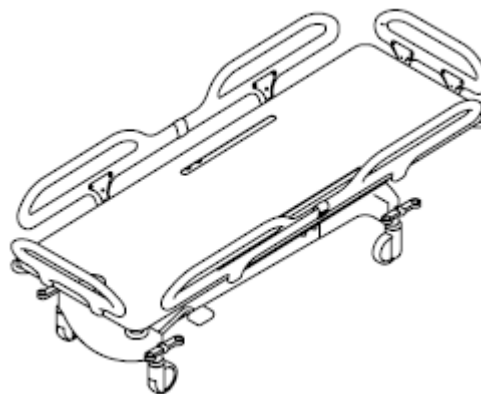


Figure.2

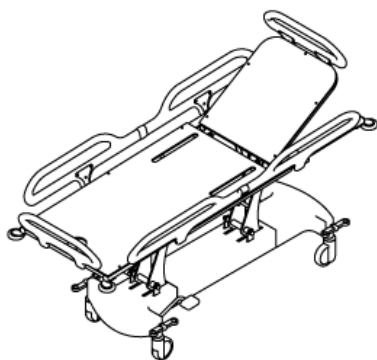


Figure.3

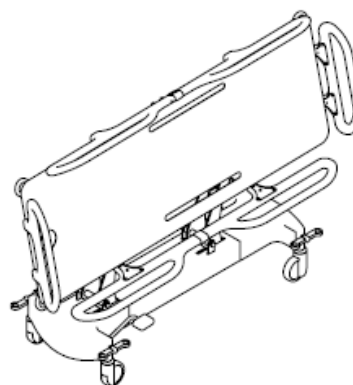


Figure.4

### 3. SAFETY

#### 3.1. General instructions for safety compliance

Fulfilment of and compliance with all safe work regulations allows nursing staff to use the shower trolley art. 155000 and 155010 in a way that avoids any injuries that might be caused to themselves or others.



**Any use of the shower trolley art. 155000 and 155010 that is different from what is described in section 2.1. is prohibited. The product may be operated only by staff trained in its use.**

Before they start using the shower trolley art. 155000 and art. 155010, operators must be carefully instructed on how the shower trolley works and where are all the controls for all adjustments, as well as be familiar with all the technical features of the shower trolley art. 155000 and art. 155010. It is therefore necessary to carefully read the attached user and maintenance manual.

- ➡ **Before you start using the product, make sure that the shower trolley art. 155000 and 155010 and all of its components operate smoothly and are not damaged.**
- ➡ **Shower trolley art. 155000 and 155010, must be used in accordance with the intended use and in accordance with these instructions.**
- ➡ **Anyone who uses shower trolley art. 155000 and 155010 must read and understand the instructions for use, in case of doubt, please contact Timo d.o.o. Ajdovščina, or to our**

---


**representative.**

All operators of the product are committed to the proper use of the product in compliance with all applicable safety recommendations and legislation to avoid the possibility of causing injuries to both themselves and third parties.

### **3.2. Special instructions for safety compliance**


Any type of re-designing or part replacement without an authorized permission from the manufacturer **TIMO d.o.o. Ajdovščina** on the shower trolley art. 155000 and art. 155010 is prohibited.

Any use of additions, accessories and other recommendations that differs from what is shown and described in this user and maintenance manual, is understood as a possibility of causing damage or injury to both the operator and the product itself.

 **Any changes made to the shower trolley art. 155000 and 155010 which are not explicitly authorized by the manufacturer TIMO d.o.o. Ajdovščina, cannot be the cause of the manufacturer's liability in the event of civil and damage claims**



**Removing safety mechanisms and warnings is strictly prohibited. They must be inspected periodically every week and any damage rectified immediately.**

 **Before starting any repairs on the shower trolley art. 155000 and 155010 or its equipment, be sure that you are familiar with the technical information contained in this user and maintenance manual**

 **All maintenance and repair work can be carried out only by trained personnel, see section 3.5.**



**Shower trolley repairs and maintenance can represent a hazard risk for the user.**

#### **IMPORTANT!**

**The shower trolley art. 155000 and 155010 cannot be used in the following cases:**


- # When the product toppling over, or back, and there is visible damage,
- # When the safety sides locking mechanism does not work smoothly, choppy or is worn out
- # When folding parts (crank mechanisms, etc ...) causing noise and does not carry out the desired operations,
- # When the space in which is the product does not allow the product could operate freely.



**Never place the shower trolley - art. 155000 and 155010C, near heat sources, where is a lot of oxygen, a source of heat or flammable gas anesthetics.**



**Place shower trolley - art. 155000 and 155010 on a horizontal surface in a stable position. To prevent the movement of the shower trolley - art. 155000 and 155010, and the fall of the patient, do not use this shower trolley - art. 155000 and 155010 on surfaces with depressed drains, holes or inclined surfaces that exceed a ratio of 1: 50 (1,15°).**

 **Ensure that the space around shower trolley - art. 155000 and 155010 and below is free, so that the adjustments can be carried out smoothly. Do not not lift or lower the other equipment near to the shower trolley - art. 155000 and 155010C and take also attention to a stationary object in the**

---

### case of regulation of height of shower trolley - art. 155000 and 155010

- ➔ Shower trolley art. 155000 and 155010, must be used in accordance with the intended use and in accordance with these instructions.
- ➔ Never leave the patient alone on the shower trolley without the supervision of nursing staff!
- ➔ To avoid electric shock, do not use other electrical equipment. near the shower trolley - art. 155000 and 155010
- ➔ Make sure that patient has hair and limbs close to the body, to avoid pinch or grip. Make sure also that in case of moving patient the side rails are raised up.
- ➔ In case of moving a patient from the bed to a shower trolley - art. 155000 and 155010 and vice versa ago, and during showering, always make sure that the wheels are locked and the brake pedal position is blocked as shown in figure 17 in Section 6.2., in order to avoid a fall of the patient.

### 3.3. Outstanding risk areas

Some parts of the the shower trolley art. 155000 and art. 155010 expose users to risk, since they cannot be avoided.

Each user of the shower trolley art. 155000 and art. 155010 must be familiar with the existing risks, so that they can avoid them and prevent damage.

Parts that expose users to risk are listed below:



**CRUSH**

Moving the the shower trolley art. 155000 and art. 155010, lowering the head rest with the rapid descent levers, or lowering/raising the side rails represents a risk of a hand getting crushed between the folding parts/bed and the structure. (outstanding risk - Crush risk)

When moving (transportation) the shower trolley art. 155000 and art. 155010, one of the wheels can drive over a foot of a person if we do not pay attention during the transport. (outstanding risk Crush risk)

When the shower trolley art. 155000 and art. 155010 is installed in place, be careful not to crush people or things between the headboard extension of the shower trolley and the wall. (outstanding risk Crush risk)



**FALL**

When the patient rises from the shower trolley art. 155000 and art. 155010, make sure to adjust the mattress platform to a height suitable for getting up depending on the patient and his/her abilities (outstanding risk risk of falling).

Operator can slip on wet floor due to improper footwear.

### 3.4. Safety mechanisms of the shower trolley

**The adjustable shower trolley – hydraulic art. 155000 and 155010** is designed to ensure safe use for both the nursing staff and the patient. For this reason it is equipped with the following safety mechanisms.

#### **MECHANICAL – MANUAL:**

##### **Side rails**

- 1) They prevent the patient from falling off the shower trolley when lying in the raised position as shown in Figure 5 and 6. Shower trolley of standard length 190 has side rails as shown in Figure 5. Shower trolley shorter than 170 and longer than 210 have side rails as shown in Figure 6.



Figure 5



Figure 6

- 2) They allow easy access to and out of the bed in a lowered position as shown in Figure 7 and 8



Figure 7



Figure 8

### Brake

- 1) Prevents movement of the shower trolley during installation or when the patient is getting off. See Figure 9

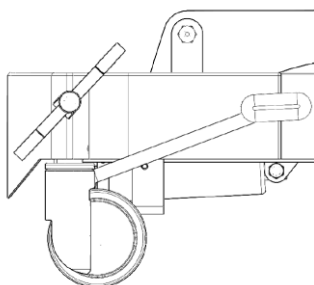


Figure 9

- ➡ **Never leave the patient alone on the shower trolley without the supervision of nursing staff!**
- ➡ **Make sure that patient has hair and limbs close to the body, to avoid pinch or grip. Make sure also that in case of moving patient the side rails are raised up.**
- ➡ **In case of moving a patient from the bed to a shower trolley - art. 155000 and 155010 and vice versa ago, and during showering, always make sure that the wheels are locked and the brake pedal position is blocked as shown in figure 7 in Section 3.4., in order to avoid a fall of the patient.**
- ➡ **Place shower trolley - art. 155000 and 155010 on a horizontal surface in a stable position. To**

**prevent the movement of the shower trolley - art. 155000 and 155010, and the fall of the patient, do not use this shower trolley - art. 155000 and 155010 on surfaces with depressed drains, holes or inclined surfaces that exceed a ratio of 1: 50 (1,15°).**

### 3.5. Staff training

The adjustable shower trolley – hydraulic art. 155000 and 155010C should be used in health and social care institutions only by trained personnel listed below.



**"OPERATOR"** is the person who operating the shower trolley art. 155000 and art. 155010 (nursing staff).

Product operation of the shower trolley art. 155000 and art. 155010 must follow the user and maintenance manual in Chapters 8 and 9.

The nursing staff must have a thorough understanding of the user manual and all product adjustments described in the he user and maintenance manual of the shower trolley art. 155000 and art. 155010.



**The nursing staff is prohibited from using the shower trolley - art. 155000 and 155010 in a way that differs from what is described in Chapters 8 and 9 of the user and maintenance manual.**



**"MAINTENANCE TECHNICIAN"** is the person responsible for transportation, installation, entry into service, repairs – maintenance, cleaning, repairs and modifications and maintenance of the shower trolley art. 155000 and art. 155010. This person must be thoroughly instructed (by manufacturer), should take part in the shower trolley art. 155000 and art. 155010, maintenance course and have experience in the field of transport, installation, operation and servicing of medical devices.

## 4. POSITION OF SYMBOLS AND LABELS ON THE SHOWER TROLLEY



**The shower trolley – hydraulic art. 155000 and 155010 is equipped with symbols and labels so that attention is drawn to the risks. Each operator must recognize the importance of such a symbol.**

The CE mark with the date and serial number should always be stated on the repair and spare part request.



**Symbols and labels must always be installed on the shower trolley – hydraulic art. 155000 and 155010 – they cannot be removed or destroyed.**



**A person who is responsible for employees' safety at work in the facility, must immediately request labels or symbols, if they find out that they are no longer on the shower trolley – hydraulic art. 155000 and 155010 or are destroyed**


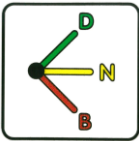

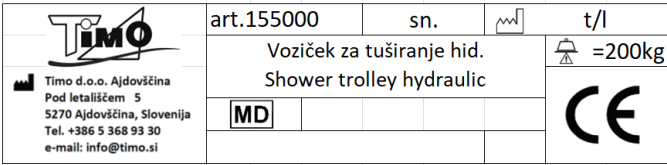





**TIMO d.o.o. Ajdovščina can always send new labels and symbols.**



Figure 10: Shower Trolley 155000

Figure 11: Shower Trolley 155010

1		Shows the lever for raising and lowering the head area
2		Shows the different positions of the brake pedal
3		Height adjustment mattress platform (U up / D down)
4		A) Item Number B) Serial Number C) Date of production (week/year) D) safe working load E) Description - Type F) CE mark G) Medical device H) Manufacturer
5		Manufacturer
6		Carefully read the user and maintenance manual before begin using this product
7		Symbol for maximum patient weight and maximum load capacity

## 5. TECHNICAL DATA

Products of **TIMO d.o.o. Ajdovščina** are continuously improved, which means that the technical properties of the product can change without notice.

### 5.1. Shower trolley specifications

art. 155000	Length A [mm]	Width B [mm]	Height H [mm]	Angle [°]
Mattress platform	1700, 1900, 2100	665		
Trolley dimensions – lowered side rail	1850, 2050, 2250	700		
Trolley dimension with side rail	1850, 2050, 2250	800		
Minimum mattress platform height			500	
Maximum mattress platform height			890	
Maximum weight of the patient	150 kg			
The maximum permissible load	200 kg			
Weight of shower trolley	91/98/106 kg			
Wheels / brake system	Ø125 / central breaking systemtem			

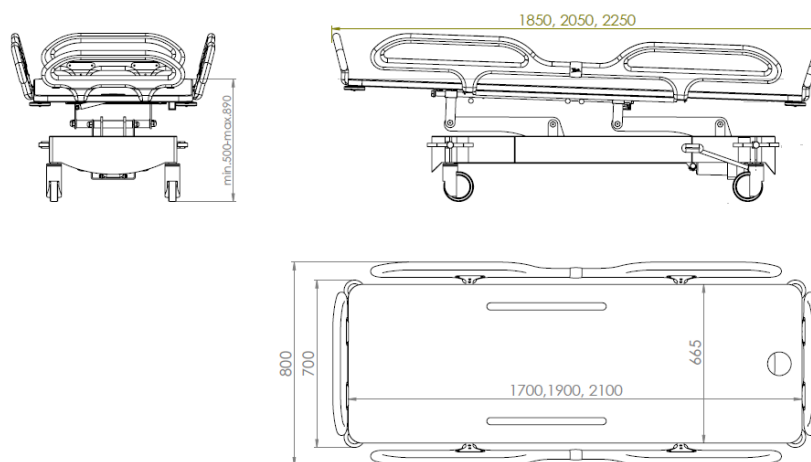


Figure 12: Skech of Shower Trolley 155000

art. 155010	Length A [mm]	Width B [mm]	Height H [mm]	Angle [°]
Mattress platform	1710, 1910, 2110	650		
Head rest	625	650		0-30
Trolley dimensions – lowered side rail	1850, 2050, 2250	760		
Trolley dimension with side rail	1850, 2050, 2250	800		
Minimum mattress platform height			490	
Maximum mattress platform height			880	
Maximum weight of the patient	150 kg			
The maximum permissible load	200 kg			
Weight of shower trolley	94/97/101 kg			
Wheels / brake system	Ø125 / central breaking systemtem			

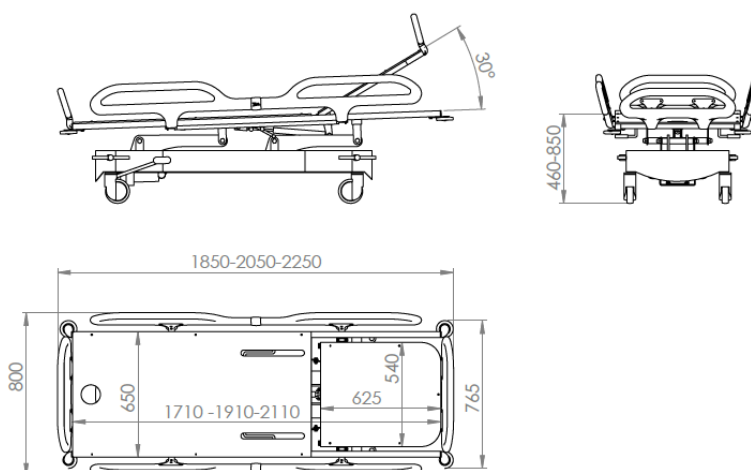


Figure 13: Skech of Shower Trolley 155010

## 6. HANDLING - MOVING

### USE – HANDLING



#### 6.1. Lifting the shower trolley art. 155000 and 155010 from the packaging



The shower trolley art. 155000 and 155010 may be handled only by a trained and qualified person.



Before removing the shower trolley art. 155000 and 155010 from the packaging, make sure there are no people nearby.



Straps to lift the shower trolley art. 155000 and 155010 must be provided by the customer.

The weight that needs to be lifted is given as the weight of the product (see technical data) plus the weight of the packaging and accessories.

The load capacity of the straps must exceed 300kg.



**When lifting the shower trolley art. 155000 and 155010C, avoid unnecessary movement which could cause instability of the product.**

## 6.2. Handling

To install the shower trolley, the operator should check the following:

- 1) Make sure that the shower trolley brake pedal is in the central position (see figure 14)

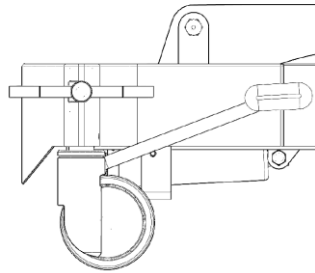


Figure 14

- 2) Raising and lowering the shower trolley (see Chapter 7-8 Installation and control).

Keep the hand used to move the shower trolley on the shower trolley at an angle of 90°.

### MOVING ALONG CORRIDORS AND ACROSS LONG DISTANCES

Lift the brake lever so as to lock the **DIRECTIONAL** wheel (head side - right) in "straight" position (fig. 15). This way, the operator will find it easier to push the shower trolley because the front wheel will be in directional position and rest wheels will be free to turn the shower trolley.

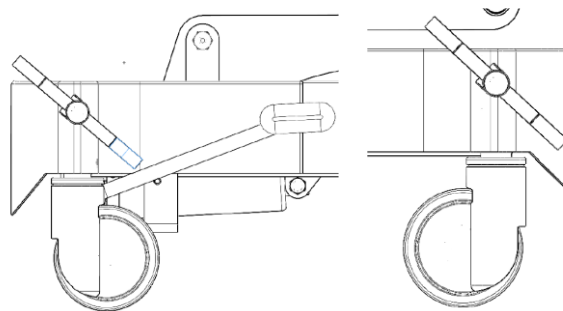


Figure 15

The correct position of a directional wheel



**The wheels of the central braking system can be locked to allow movement in one direction only. If you try moving the shower trolley in the opposite direction of the locked wheel, damage and malfunction of the system may occur.**

**SUITABLE FOR LEFT/RIGHT MOVEMENT SHOULD THE ROOM ALLOW IT**

1. Press the wheel-block pedal down to unblock the locked wheel (see Figure 16); the locked wheel is now unblocked and the shower trolley can be moved in all directions.

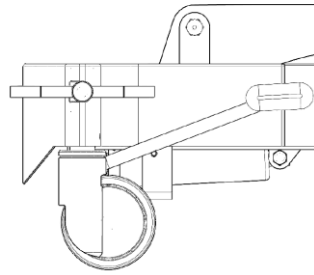


Figure 16

2. When you reach the desired position, make sure to block all the wheels (see Figure 17). This means all four wheels are blocked and cannot move.

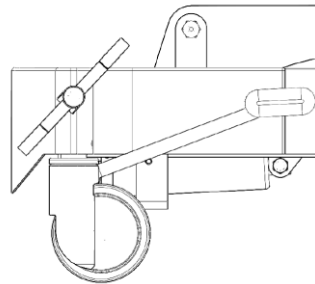


Figure 17

### 6.3. Shower trolley storage



In case you store the equipment for a period longer than 6 to 12 months, follow the instructions below:

- Reset all the shower trolley settings, including its height
- Make sure the wheels of the shower trolley stand on a flat surface/ground
- Make sure the wheels are not blocked - brake in idle position
- The room where the shower trolley is stored should be dry and in accordance with the following conditions:
  - **Temperature from 0 to +40 °C**
  - **Air pressure 700 to 1060 mbar**
  - **Humidity max 70%**



**Do not stack multiple shower trolleys on top of each other.**

## 6.4. Transportation



The adjustable shower trolley – hydraulic art. 155000 and 155010 is delivered to the customer fully assembled. Upon delivery, it must simply be taken off the truck and taken to the facility. Transportation is usually done by truck. The following recommendations are to be followed:

- Temperature from 0 to +40 °C
- Air pressure 700 to 1060 mbar
- Humidity max 70%

## 6.5. Re-use



When the shower trolley is put back into use, please check:

- Wheel braking system
- All safety mechanisms
- All adjustments and operation of the shower trolley



## 7. INSTALLATION

### 7.1. Installation

Before installation make sure that:

- The space around the shower trolley is free. When making adjustments, the shower trolley may not touch the wall or other items or people nearby.

## 8. CONTROL



Before you start using the shower trolley, make sure to read the adjustment instructions carefully. Make sure that you thoroughly understand the safe operation of the shower trolley, because the safe operation depends on your correct use of the shower trolley.



Shower trolley art. 155000 and 155010, must be used in accordance with the intended use and in accordance with this user and maintenance manual, different use cannot be the cause of the manufacturer's liability in the event of civil and damage claims.



Before you start moving and adjusting the shower trolley, make sure that the patient's limbs are close to the body and do not touch the moving parts of the shower trolley (e.g. side rail).



Before you start adjusting (e.g. bed height adjustment), make sure that the area under and around the shower trolley is free and without any obstructions. (e.g. children)



Before you start raising and lowering (e.g. side rails), make sure that the shower trolley bed is set to its lowest possible height.



**Never leave the patient alone on the shower trolley without the supervision of nursing staff!**



### 8.1. Use

To use the shower trolley, the operators should follow the instructions below:

The shower trolley can be used by qualified personnel to carry out nursing and medical care or nursing personnel in home environment.

Bathing and care of patient should be carried out according to nursing standards which provide safe and quality work in the field of health care (see Hygienic of patient) and correct transfer programs (see the helping the patient move).

For safe and successful work is necessary to consider the manufacturer's instructions on the proper use of the trolley shower and nursing standards (Source: Zeleznik, D., A. Ivanuša 2002. Standards of nursing care. Maribor: University of Maribor. Faculty of Education.)

- 1) The shower trolley should be placed in a stable position for safe operation by blocking the wheels using the brake pedal (see Figure 18). Place shower trolley - art. 155000 and 155010 on a horizontal surface in a stable position. To prevent the movement of the shower trolley - art. 155000 and 155010, and the fall of the patient, do not use this shower trolley - art. 155000 and 155010 on surfaces with depressed drains, holes or inclined surfaces that exceed a ratio of 1: 50 (1,15°).

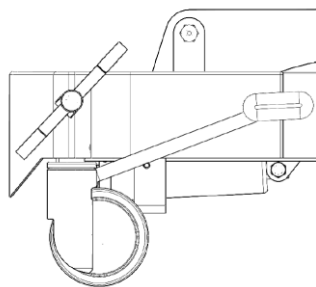


Figure 18

- 2) Proper moving of patient on his side during the bathing and care



Figure. 19

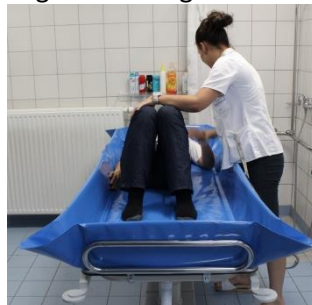


Figure. 20



Figure. 21

Proper preparation to moving of patient on his side is shown on picture 19 and 20  
On picture 21 is shown the correct position-rotation of the patient on his side!

### 3) Improper moving of patient during the care and bath



Figure 22



Figure 23

On picture 19 and 20 is shown the improper position-rotation of patient by pulling him!



#### **ATTENTION!**

Place shower trolley - art. 155000 and 155010 on a horizontal surface in a stable position. To prevent the movement of the shower trolley - art. 155000 and 155010, and the fall of the patient, do not use this shower trolley - art. 155000 and 155010 on surfaces with depressed drains, holes or inclined surfaces that exceed a ratio of 1: 50 (1,15°).

**Never leave the patient alone on the shower trolley without the supervision of nursing staff!**

#### **Movement on the shower trolley from the bed**

- Side rails is in the raised position, in order to prevent a fall of a patient from the shower trolley
- Make sure that patient has hair and limbs close to the body, to avoid pinch or grip.
- To prevent a fall of a patient from the mattress platform of shower trolley, there have to be two operators, to make movement from bed to shower trolley

Please follow the below steps:

- Activate the brake pedal of wheels (Figure 18)
- You have to lift the bed and shower trolley on a appropriate height, which will ensure a safe transfer.
- On the side of transfer lower the side rails of the shower trolley and bed
- On both sides of the bed and shower trolley have to be one operator
- Place the patient near to the place for transfer
- Turn the patient sideways on his, so that the he is facing away from the site for transfer.
- The patient is holding by an operator against which he is facing
- Other operator has to set a shower trolley across the bed so that it is as close as possible to the patient, and touching the mattress of bed
- Reactivate the brake pedal of wheels (Figure 18)
  
- Turn the patient on his back and place it on a shower trolley
- Both operators have to help the patient to be positioned at the center of the shower trolley mattress platform
- Lift the safety side rails
- Place the pillow under the head of patient for comfort
- Lift the shower trolley so that it does not touch the mattress of bed
- Unlock the brake pedal of wheels (Figure 16)
- Move the shower trolley away from the bed
- If the patient is not wearing a clothes, you have to cover it
- Adjust the shower trolley height on a ergonomic height for the operators

#### **Movement from the shower trolley on the bed**

- Side rails is in the raised position, in order to prevent a fall of a patient from the shower trolley
- Make sure that patient has hair and limbs close to the body, to avoid pinch or grip.

- To prevent a fall of a patient from the mattress platform of shower trolley, there have to be two operators, to make movement from bed to shower trolley

Please follow the below steps:

- Activate the brake pedal of wheels (Figure 18)
- You have to lift the bed and shower trolley on an appropriate height, which will ensure a safe transfer.
- On the side of transfer lower the side rails of the shower trolley and bed
- On both sides of the bed and shower trolley have to be one operator
- Other operator have to set a shower trolley across the bed so that it is as close as possible to the patient, and touching the mattress of bed
- Reactivate the brake pedal of wheels (Figure 18)
- Place the patient near to the place for transfer
- Turn the patient sideways on his, so that he is facing away from the site for transfer.
- The patient is holding by an operator against which he is facing
- Turn the patient on his back and place it on a bed
- Both operators have to help the patient to be positioned at the center of the bed mattress platform
- Lift the shower trolley so that it does not touch the mattress of bed
- Unlock the brake pedal of wheels (Figure 16)
- Move the shower trolley away from the bed
- You have to make the disinfection of shower trolley after every use of shower trolley (see Chapter 9)

#### **Movement on the shower trolley from the bed with a sliding aid**

- Side rails is in the raised position, in order to prevent a fall of a patient from the shower trolley
- Make sure that patient has hair and limbs close to the body, to avoid pinch or grip.
- To prevent a fall of a patient from the mattress platform of shower trolley, there have to be two operators, to make movement from bed to shower trolley
- For big gaps to slide across, between shower trolley and bed use a slide board in between shower trolley and bed to bridge the gap.

Please follow the below steps:

- Lower the safety side rails
- Activate the brake pedal of wheels (Figure 18)
- You have to lift the bed and shower trolley on an appropriate height, which will ensure a safe transfer.
- On the side of transfer lower the side rails of the shower trolley and bed
- On both sides of the bed and shower trolley have to be one operator
- Place a sliding aid below the patient
- One of operator have to set a shower trolley mattress in the way that the mattress of shower trolley is a little lower than a mattress of bed
- Reactivate the brake pedal of wheels (Figure 18)
- Both operators with a sliding aid move the patient from the bed on shower trolley
- Both operators have to help the patient to be positioned at the center of the shower trolley mattress platform
- Place the pillow under the head of patient for comfort
- Unlock the brake pedal of wheels (Figure 16)
- Move the shower trolley away from the bed and raise up the side rails
- Remove a sliding aid from below of patient
- If the patient is not wearing clothes, you have to cover it
- Adjust the shower trolley height on an ergonomic height for the operators

#### **Movement from the shower trolley to the bed with a sliding aid**

- Side rails is in the raised position, in order to prevent a fall of a patient from the shower trolley
- Make sure that patient has hair and limbs close to the body, to avoid pinch or grip.
- To prevent a fall of a patient from the mattress platform of shower trolley, there have to be two operators, to make movement from bed to shower trolley

- For big gaps to slide across, between shower trolley and bed use a slide board in between shower trolley and bed to bridge the gap.

Please follow the below steps:

- Activate the brake pedal of wheels (Figure 18)
- You have to lift the bed and shower trolley on an appropriate height, which will ensure a safe transfer.
- On the side of transfer lower the side rails of the shower trolley and bed
- On both sides of the bed and shower trolley have to be one operator
- Place a sliding aid below the patient
- One of operator have to set a shower trolley mattress in the way that the mattress of shower trolley is a little lower than a mattress of bed
- Reactivate the brake pedal of wheels (Figure 18)
- Both operators with a sliding aid move the patient from the shower trolley to the bed
- Both operators have to help the patient to be positioned at the center of the bed mattress platform
- Unlock the brake pedal of wheels (Figure 16)
- Move the shower trolley away from the bed
- Remove a sliding aid from below of patient
- You have to make the disinfection of shower trolley after every use of shower trolley (see Chapter 9)

#### **Movement on the shower trolley from a sling lift (only for floor or ceiling lifts)**

- Please follow the below steps:
- Lower the height of shower trolley at the lower height
- Activate the brake pedal of wheels (Figure 16)
- Make sure that both safety side is raised up.
- Lower lift with patient on shower trolley
- Remove the sling from lift
- Move away the lift from shower trolley
- Adjust the shower trolley height on an ergonomic height for the operators
- Remove the sling from patient
- Place the pillow under the head of patient for comfort
- Unlock the brake pedal of wheels (Figure 16)
- If the patient is not wearing clothes, you have to cover it

#### **Movement from the shower trolley to a sling lift (only for floor or ceiling lifts)**

Please follow the below steps:

- Activate the brake pedal of wheels (Figure 18)
- Adjust the shower trolley height on an ergonomic height for the operators
- Put the sling below the patient
  
- Lower the height of shower trolley at the lower height
- Put the lift under the patient
- Attach the sling to the lift
- Lift the patient from the shower trolley
- You have to make the disinfection of shower trolley after every use of shower trolley (see Chapter 9)

#### **Showering the patient in a shower trolley**

- Please follow the below steps:
- Please shower trolley as close as possible to the mixer or apparatus for water treatment
- Make sure the drain hose is placed in a drain
- Activate the brakes and raise or lower the shower trolley mattress platform at a comfortable working height
- Lift the shower head under the shower trolley

- Adjust the thermostatic mixing valve to the desired or appropriate temperature.
- **Before you take a shower to the patient, you have always to check the water temperature with naked hand first, only after that you can directing the water on patient. Is important that you do not use gloves at the time of check of temperature of water.**
- Adjust the temperature of the water, so that it is pleasant for the patient
- Shower the patient
- After showering close the water and wipe the patient
- Release the brakes
- Lift the shower trolley at a comfortable height and take back the patient
- You have to make the disinfection of shower trolley after every use of shower trolley (see Chapter 9)

## 8.2. Home care use of shower trolley

Distributors and borrowers please follow the below steps:

- Read these instructions together with the recipient (perents, husband, wife, ...)
- Point out the intendend use and all regulation of shower trolley
- Check whether the user has understood the instructions
- You have to read all warnings to the recipient
- Check if place meets all the requirements listed in these user and maintenance manual
- Ensure that before handing over the shower trolley to the new user always carries out a process of cleaning and disinfection (see Chapter 9)

When using the shower trolley as home care use please follow the below steps:

### ATTENTION!

- ▶ **Place shower trolley - art. 155000 and 155010C on a horizontal surface in a stable position. To prevent the movement of the shower trolley - art. 155000 and 155010, and the fall of the patient, do not use this shower trolley - art. 155000 and 155010C on surfaces with depressed drains, holes or inclined surfaces that exceed a ratio of 1: 50 (1,15°).**
- ▶ **Never leave the patient alone on the shower trolley without the supervision of nursing staff!**
  - Make sure that all (perents, husband, wife, ...) read and understand the instructions contained in these user and maintenance manual
  - That all carpets and fitted carpets in the room is removed out
  - That all thresholds in the area is removed removed out
  - That all stairs and edges are protected by a security fence that will prevent the shower trolley drove down
  - That there is of adequate space for use of the shower trolley
  - That they are familiar with the proper care and treatment procedures for the patient (point 8.1.)
- ▶ **To prevent accidents with children, never leave children unattended near the shower trolley**
- ▶ **Children should not have access to the shower trolley**
- ▶ **Domestic animals must not come into contact with the shower trolley**
- ▶ **Make sure that the storage space meets the required conditions**
- ▶ **Please follow the instructions for regular maintenance from point 10.2.**

In the following cases, please refere to healthcare personnel:

- For the re-demonstration of proper care of the patient during the use of the shower trolley



## 8.3. Manual controls - adjustments

### 8.3.1. Regulation of head rest (art.155010)



**In the event of an emergency, the head rest can be lowered using the rapid descent levers on both sides of the bed.**

### 8.3.1.1. Raising the head rest

- 1) Grip the backrest part.
- 2) Pull the handle at the side of the mattress platform upwards, without forcing (fig. 24).

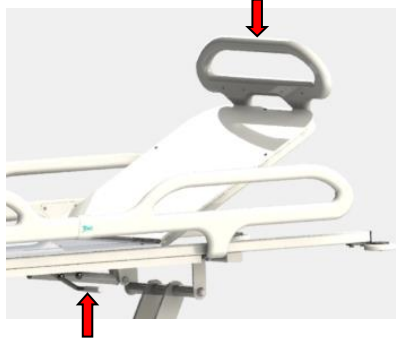


Figure 24

- 3) Now adjust the head rest to the desired position.
- 4) First release the lever and then the head area.

### 8.3.1.2. Lowering the head rest

- 1) Grip the backrest part.
- 2) Pull the handle at the side of the mattress platform upwards, without forcing (fig).
- 3) Rise down the platform as far as desired position.
- 4) First release the handle and then the backrest.



**Before you start adjusting the head rest, make sure that nothing prevents the head area from being put into a horizontal position**

## 8.3.2. Raising and lowering the shower trolley mattress platform



**ATTENTION: Before you start raising and lowering (e.g. side rails), make sure that the shower trolley bed is set to its lowest possible height. tell the patient to get on or off the shower trolley only when the mattress platform is set to the lowest possible height.**

### 8.3.2.1. Raising the shower trolley mattress platform

To raise the shower trolley mattress platform, press the pedal continuously until the mattress platform reaches the desired height (see Figure 25).



**Make sure the space around the shower trolley is free and that nothing obstructs the bed height adjustment.**

**Regulation of height can be done only with closed safety sides!**

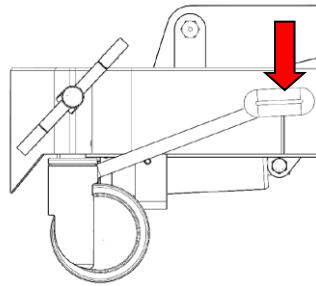


Figure 25

### 8.3.2.2. Lowering the shower trolley mattress platform

To lower the shower trolley mattress platform, slightly raise the mattress platform height adjustment pedal and hold it in this position until the mattress platform reaches the desired height.



**Make sure the space around the shower trolley is free and that nothing obstructs the bed height adjustment.**

**Regulation of height can be done only with closed safety sides!**

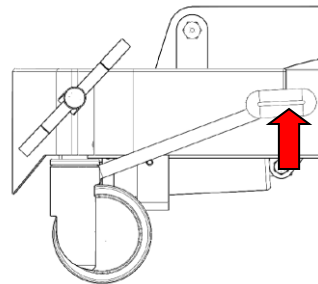


Figure 26

### 8.3.3. Lateral tilt of 90° (art. 155000)

Hold with one hand on the edge of the mattress platform (1) and with your other hand pull-out the trigger lever (2) and lift mattress platform. This regulation can be used to make easy cleaning and disinfection and also to make easy to drain out the water from the shower trolley.



Figure 27

Figure 28

**Lowering:** Hold the mattress platform and lower it until it locks into place.



**First make sure that the area under and around the shower trolley is free of objects or people (e.g. children); there should be no obstacles under the mattress platform. Brakes should be blocked.**



**When the patient is on the bed, the tilt feature should not be used!**



**This tilt position should only be used when cleaning and disinfecting the mattress and pillow (art.155000) in order to drain water quickly.**

**Do not move around the shower trolley when is in tilt position of 90°!**  
**Do not regulate the height of the shower trolley when is in tilt position of 90°!**

- ➡ **Before placing the patient on a shower trolley, always check if the mattress platform is properly blocked (art.155000).**

#### 8.3.4. Adjusting of safety side rails



**Before lowering and raising the safety said rails, make sure that the patient's limbs are close to the body and do not touch the side rails**

#### Raising the side rails

Firmly grasp the upper edge of a side rail and pull it up until it locks in place. Make sure it is secured in a raised position. See Figure 29

- ➡ **ATTENTION! When raising the safety side rails always check that the two locking mechanisms properly set into place (Figure 30), otherwise the rail may open under load.**
- ➡ **ATTENTION! If the locking mechanism is not working properly (it jams), remove the shower trolley immediately from use and call maintenance department to fix the problem!**

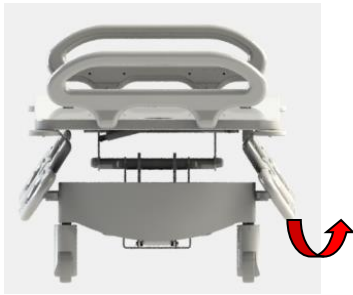


Figure 29

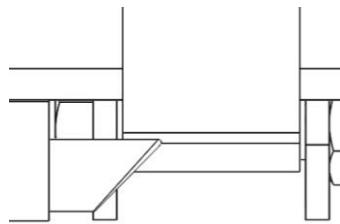


Figure 30

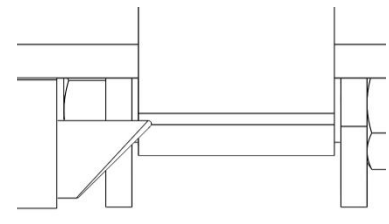


Figure 31

#### Lowering the safety side rails

Firmly grasp the upper edge of a side rail and push the buttons on the rail triggers marked with a red arrow, as shown in Figure 32, to lower the rail. While lowering, hold the rail by the top tube to avoid pinching fingers.

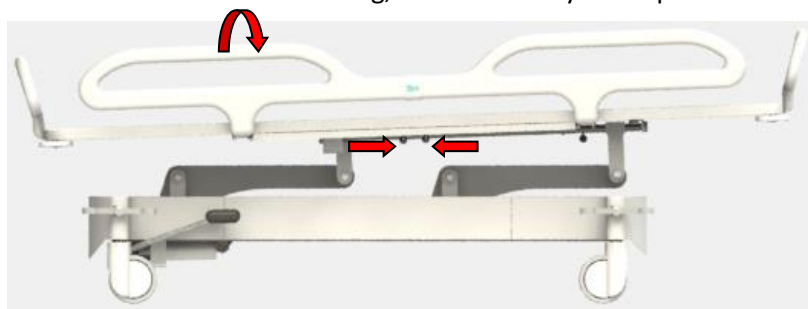


Figure 32

#### 8.4. Positioning objects - personal items of the patient

There is a wire basket on the chassis where you can place objects and personal belongings of the patient (see Figure 33).



Figure 33

## 8.5. Moving the shower trolley



**Before starting to move the shower trolley, make sure to raise the safety rails to prevent the patient from falling off the shower trolley. Make sure there is enough space to safely move the shower trolley and all the accessories through corridors and doors.**

To move the shower trolley, push the wheel-block pedal into the open position (see Figure 34). Push the shower trolley to the desired location and block the wheels. (see Figure 36)

To move the shower trolley across longer distances, lock the direction of one of the wheels with the pedal (see Figure 35); when the desired location is reached, block the pedal again to block the wheels. (see Figure 36)

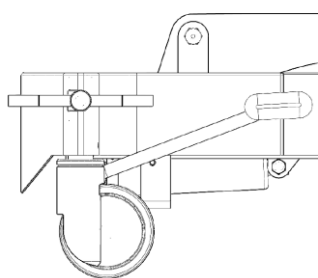


Figure 34

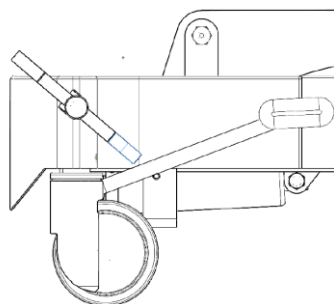


Figure 35

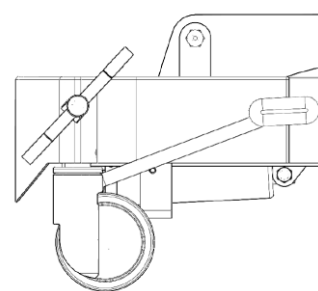


Figure 36

## 9. CLEANING AND DISINFECTION



### 9.1. Cleaning and disinfection

Shower trolley needs to be cleaned and disinfected after each use to prevent accumulation of bacteria on a shower trolley mattress and pillow. Cleaning and disinfection of shower trolley is particularly important where there are daily showers of more patients, to prevent transmission of infection between patients.

Shower trolley is cleaned with water using normal detergents and disinfectants, which can be applied with a damp cloth or washed with a jet of water.

We recommend using disinfectant Apesin SDR SAN.

Make sure that you have the safety data sheets for the disinfectant you are using.

**Never use high-pressure cleaners, acids, solvents, corrosive products and etching substances. Detergents must not contain phosphates, phosphorus or formaldehyde.**

**Always use protective gloves and goggles to prevent eye damage and skin. In case of contact rinse with plenty of water. If there is inflammation of the eyes or skin, see your doctor. Always read the instructions for disinfecting and safety data sheets for disinfectant.**

**▶▶ Disinfection must never be performed in the presence of the patient, as it may cause inflammation of the eyes and skin**

**▶▶ To prevent damage to the equipment using a recommended disinfectant Apesin SDR SAN**

Clean the pillow immediately after each use!

Shower trolley pillows should NOT be cleaned with substances containing:

- solvents,
- bleachers (e.g. hydrogen peroxide)
- (cleaning) gasoline,
- contain abrasive materials or
- have a corrosive effect.

Shower trolley should not be cleaned with hot water (maximum lukewarm!) or using high-pressure cleaners.

Only cleaners that are intended by the manufacturer of the cleaning agents to be used for PVC coated textiles should be used for cleaning. The concentration, use and rinse instructions of each detergent manufacturer must be carefully followed.

Cleaning agents, neutral PH, or light soaps may be used.

**Important: After cleaning, the cleaning agent should be completely rinsed with clean water.**

Do not clean under direct sunlight. If the detergent dries, stains can remain.

A soft sponge or soft brush should be used to clean the shower trolley. Never use abrasive, powder-based cleaners and take care not to scratch or damage the surface.

Before cleaning over a large area, it is recommended that you perform a test in an invisible area, for example, on the underside of a pillow.

## 10. MAINTENANCE

### 10.1. Lubrication



**Maintenance can only be performed by properly qualified staff  
or TIMO d.o.o. Ajdovščina, Pod letališčem 5, 5270 Ajdovščina, phone +3865/3689 330, fax  
+3865/3663 805, e-mail: info@timo.si!**

Periodically – at least every 6 months or even better after each cleaning – we recommend lubrication of all moving parts with Vaseline-like grease or dried grease spray.

Particular attention should be paid to the correct (smooth) operation of the side rails locking mechanism so that it locks without jamming. If the side rail locking mechanism jams, you must immediately remove the shower trolley from use and inform the maintenance department to repair the defect (to clean and lubricate the mechanism)!



### 10.2. Checking parts of the shower trolley



**Maintenance can only be performed by properly qualified staff  
or TIMO d.o.o. Ajdovščina, Pod letališčem 5, 5270 Ajdovščina, phone +3865/3689 330, fax  
+3865/3663 805, e-mail: info@timo.si!**

Periodically – at least every 6 months – we recommend that you check whether the screws, pins etc. are tight.

Periodically - at least every 6 months - it is recommended to check the screws, pins, etc. are tight. Check also the possible wear of the side rail locking mechanism! As soon as you notice excessive wear of the locking mechanism you should immediately remove the shower trolley from use and inform the maintenance department to repair the defect - replace the worn part with a new one.

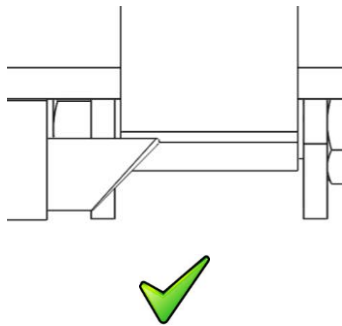


Figure 37: Unworn part

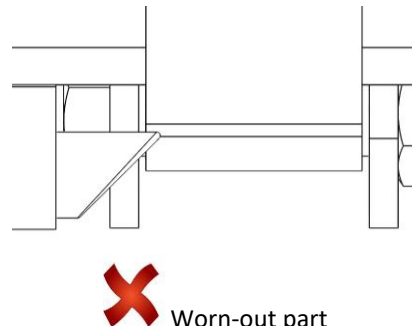


Figure 38: Worn-out part



**Periodically – every 6 months – the authorized service centre should perform a regular shower trolley service check. The regular service checks are recorded in a service data booklet for each shower trolley. This warranty is valid upon the fulfilment of the conditions stated above. The customer is obliged to ensure that regular service checks are carried out and recorded in the service booklets.**

### Checking the braking system

It is recommended to check the brake system. Push the brake pedal into locked position (Figure 40). Then check if all the wheels are blocked. If any wheel rotates, adjust the wheel according to the procedure. The brake pedal is in the locked position (Figure 40), unscrew the M8x12 screw (Figure 41) and rotate the wheel clockwise [1] (for example 2 turns) and thus adjust the brake. When the brake is adjusted, tighten the M8x12 screw.

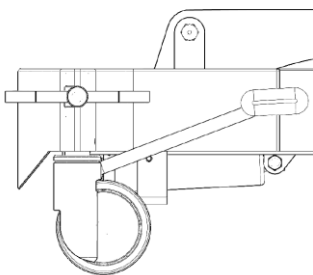


Figure 39

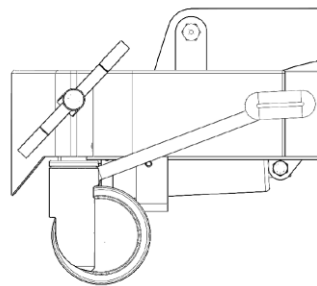


Figure 40

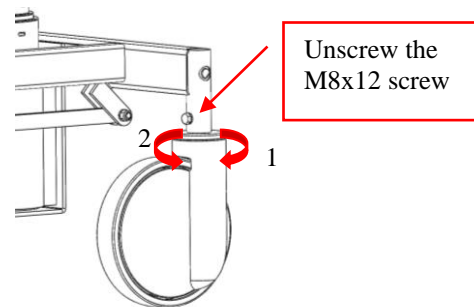


Figure 41

However, if the wheel brakes when the brake pedal is in the position free (Figure 39), follow the following procedure: - the brake pedal is in the locked position (figure 40) - unscrew the M8x12 screw and turn the wheel counter clockwise [2]. When the brake is adjusted, tighten the M8x12 screw.

### Liabilities operators:

- **Daily disinfection (Chapter 9)**

You have to make the disinfection of shower trolley after every use of shower trolley!

- **Weekly visual inspection of the exposed parts**

In particular, check the parts that come into direct contact with patients or operators. Make sure that there are no cracks or sharp edges that could hurt the patient or patient, and that shower trolley did not become unsanitary.

Check drain hose and parts thereof. Replace any damaged parts.

- **Check the mechanical connections**

Tilt the shower trolley mattress platform, visually inspect the screw  
When the shower trolley is tilted, check whether there are any cracks

- **Perform functionality test**

safety side rails

regulation of shower trolley

Brake pedal of wheels and cleaning

Checking the manual control in the event of damage to the cable is necessary to remove the shower trolley from the use until a new command is not received

Checking the battery and charger, in case of damage is necessary to remove the shower trolley from the use until a new battery or charger is not received

Overview mattress and the pillow, in the case that of damage, cracks or tears is necessary to remove the shower trolley from the use until a new mattress or pillow is not received

## 11. PROBLEMS - FAILURES



### Foreword



**Maintenance can only be performed by properly qualified staff**

**or TIMO d.o.o. Ajdovščina, Pod letališčem 5, 5270 Ajdovščina, phone 05/3689 330, fax 05/3663 805, e-mail: info@timo.si!**

**This section describes possible faults and how to fix them. In the event that the fault cannot be fixed, please contact the authorized service provider.**

FAULT	CAUSE	FIX
The head rest would not raise, when you press the lever (art.155010)	<ol style="list-style-type: none"> <li>Excessive load on the head rest</li> <li>Damage to gas spring</li> <li>Damage to trigger</li> </ol>	<ol style="list-style-type: none"> <li>Reduce the load and attempt to raise again</li> <li>Call a technician to replace the gas spring</li> <li>Call a technician to replace the trigger</li> </ol>
Shower trolley cannot be blocked	<ol style="list-style-type: none"> <li>Damage to wheels</li> <li>Damage to brake pedal</li> </ol>	<ol style="list-style-type: none"> <li>Call a technician to replace the wheel</li> <li>Call a technician to replace the pedal</li> </ol>
Shower trolley mattress platform cannot be raised	<ol style="list-style-type: none"> <li>Hydraulic cylinder damage possible</li> <li>Maybe only the pedal is blocked</li> </ol>	<ol style="list-style-type: none"> <li>Call a technician to replace the cylinder.</li> <li>Try to press the pedal a couple of times to raise and lower the bed</li> </ol>

## 12. DECOMMISSIONING

The shower trolley art. 155000 and 155010 is made from metallic, non-metallic, and thermoplastic material. In the event of disposal and recycling, please comply with the local legislation.

For decommissioning please follow these instructions:

- dismantle the shower trolley and recycle the components
- Disposal of different materials and disposal of various special and hazardous waste should be carried out in accordance with the legal requirements in the country in which the shower trolley is used.

Electrical and electronic components must be separated for recycling in accordance with European Directive 2002 / 96ES (OEEO).

### 13. Spare parts list

#### 13.1. Spare part list of base

no.	description	no.	description
1	Support frame	19	threaded rod M10X205
2	Hydraulic cylinder Romheld	20	Spring pin ISO 8752 - 6 x 26
3	support 15x4	21	Self – locking nut M10
4	screw M6X15	22	Self – locking nut M8
5	Self – locking screw M6	23	Connection of brake r
6	Wheel 2046UAP125R26-28S45	24	Washer DIN 125 - A 8.4
7	Wheel 2044UAP125R26-28S45	25	screw M8X30
8	Sping nut DIN 128 - A8	26	screw - M12 x 60
9	Screw M8X12	27	Self – locking nut M12
10	Brake rod	28	Pedal L Hydraulic cylinder
11	brake lever	29	Pedal R Hydraulic cylinder
12	Lifting mechanism	30	Pedal rubber
13	Cover Left	31	Plug of nut M10
14	Cover	32	Brake pedal L
15	Cover right	33	Brake pedal R
16	Connection		
17	Washer pvc ø30-10x2		
18	screw M10X120		

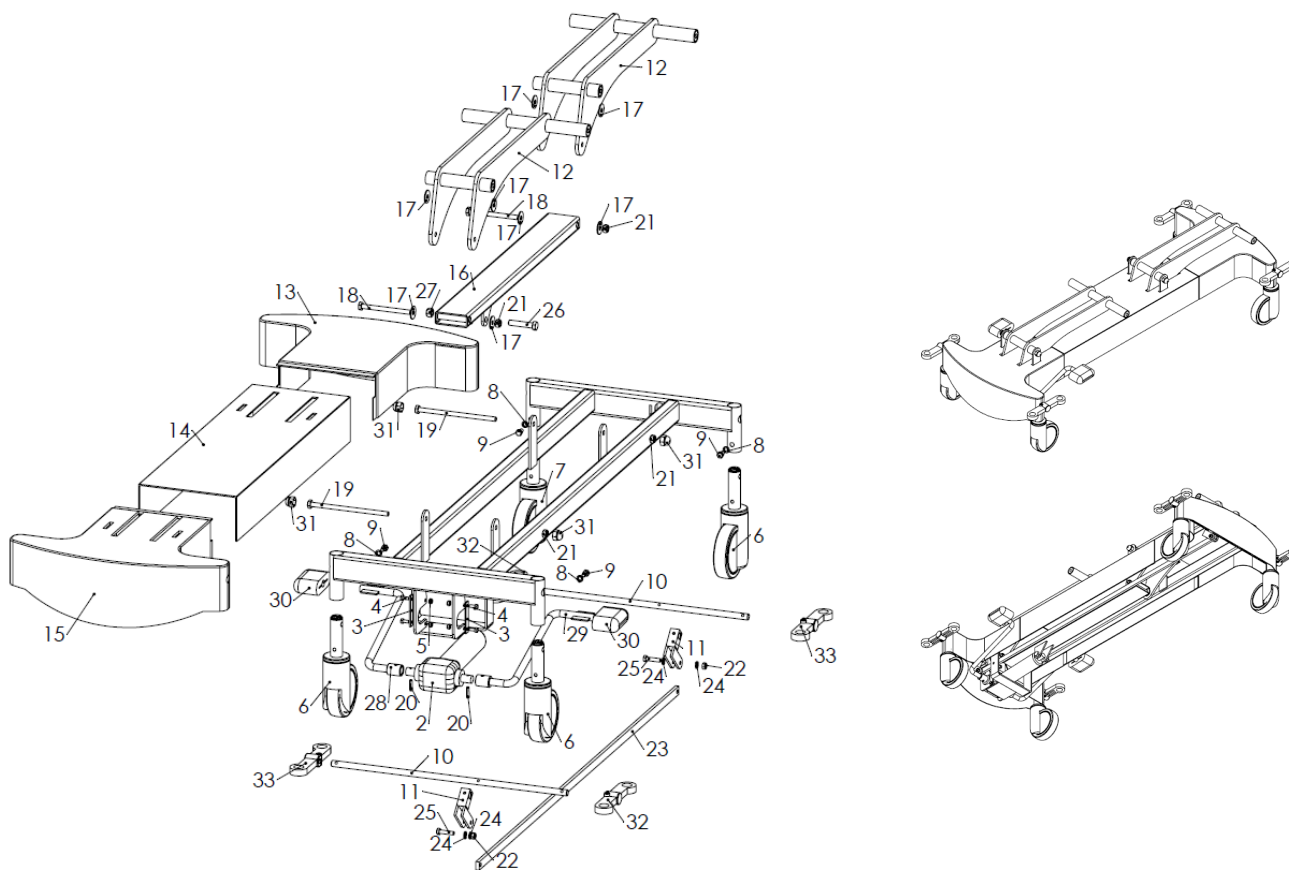


Figure 42: Base of shower trolley 155000, 155010

**13.2. Spare part list of mattress platform (art.155000)**

no.	description	no.	description
1	Mattress frame	14	plog 50x30
2	Trigger of side rail	15	spring $\varnothing$ 15x45
3	spring $\varnothing$ 10x30	16	washer pvc $\varnothing$ 30-10x2
4	Buffer wheel	17	Plug of nut M10
5	Support of buffer wheel	18	Gas spring PV A2 150 obkov
6	Screw M6x15 pvc with black head	19	Quicklock BQ $\varnothing$ 7
7	Self-locking nut - M10	20	washer pvc $\varnothing$ 30-18x2
8	screw - M10 x 55	21	screw – M12 x 30
9	Blind rivet $\varnothing$ 4x16	22	Long side rail
10	Frame support	23	Short side rail
11	Triger $\varnothing$ 16	24	Washer DIN 125 - 8.4
12	plug 25x25	25	screew M8X16
13	threaded rod M10X345		

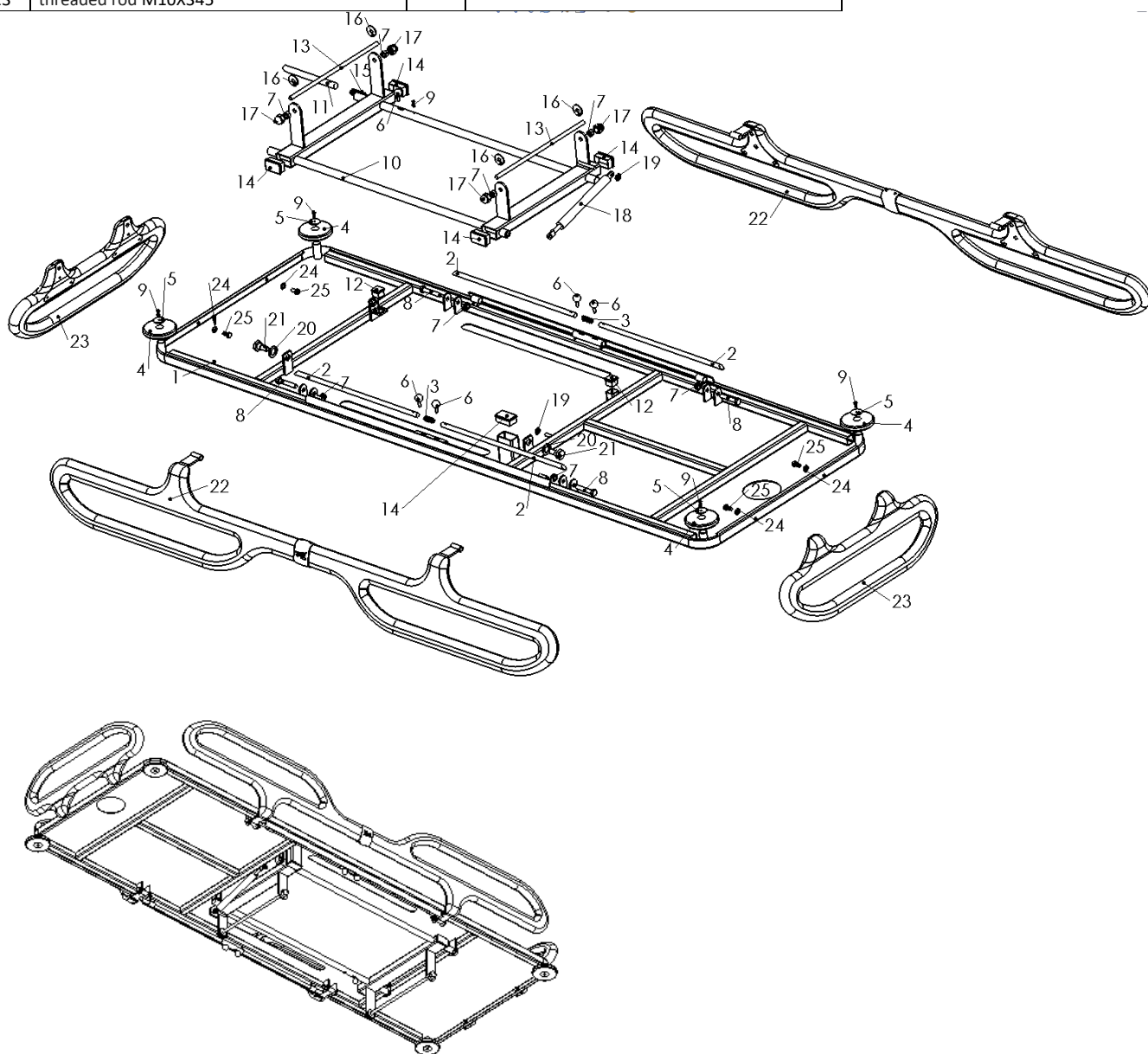


Figure 43: Mattress platform of shower trolley 155000

### 13.3. Spare part list of mattress platform (art.155010)

no.	Description	no.	description
1	Support frame	17	Handle rubber ø12x100
2	laminat long one 1240x650	18	threaded rod M10X345
3	Support frame of bacrest	20	Washer pvc ø30-10x2
4	laminat short one 650x625	20	Plug of nut M10
5	Trigger of side rail	21	spring ø 10x30
6	Buffer wheel ø25	22	plug 30x30
7	Support of buffer wheel	23	U support of cylinder 140
8	Blind rivet 4x16	24	Trigger bacrest
9	screw M6x15 pvc with black head	25	Support og trigger
10	plug 25x25	26	Buffer wheel carrier L
11	Gas cylinder 120	27	Buffer wheel carrier R
12	Washer DIN 125 - 8.4	28	plug 50x25
13	Self-locking nut -M8	29	Side rail long
14	Self-locking nut -M10	30	Side rail short
15	screw - M8 x 25	31	screw - M8 x 20
16	screw - M10 x 55	32	screw - M8 x 35

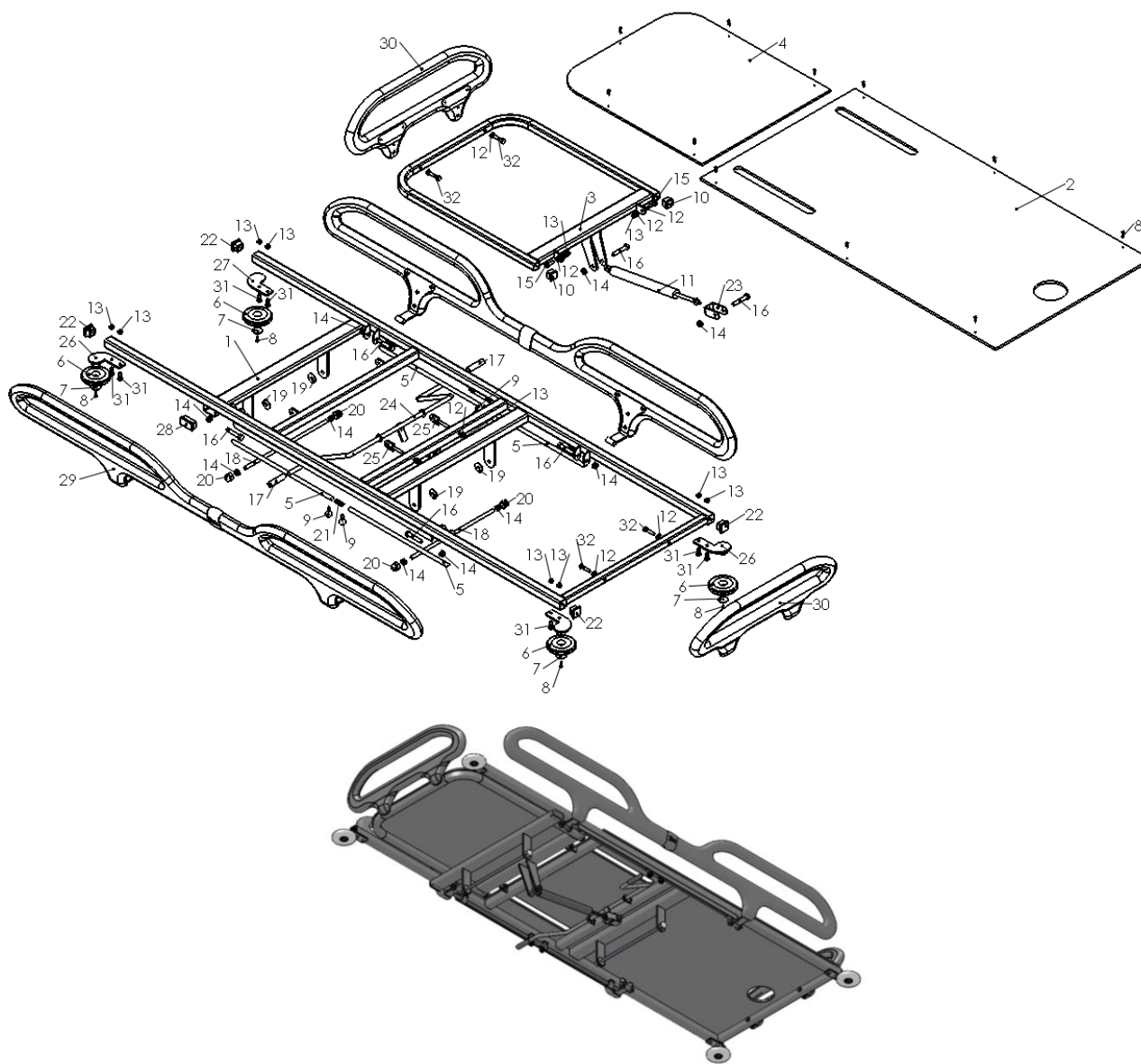


Figure 44: Mattress platform of shower trolley 155010

**13.4. Spare part list of mattress**

- Mattress art. 155010

no.	Description
1	Mattress for 155010
2	Drain tube 5/4
3	Pillow
4	Plug of drain tube

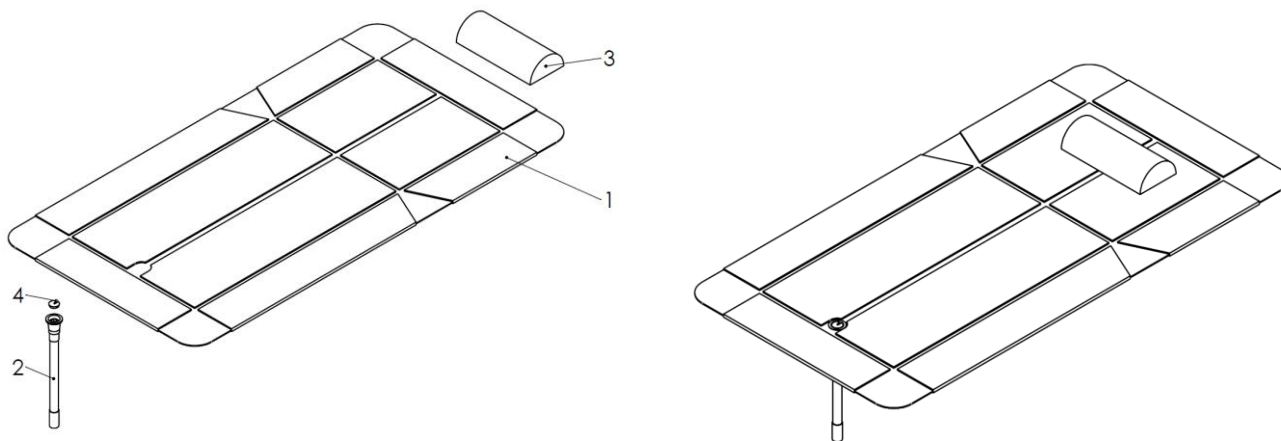


Figure 45: Mattress of shower trolley 155010

- Mattress art.155000

No.	description
1	Mattress for 155000
2	Drain tube 5/4
3	Pillow
4	Plug of drain tube

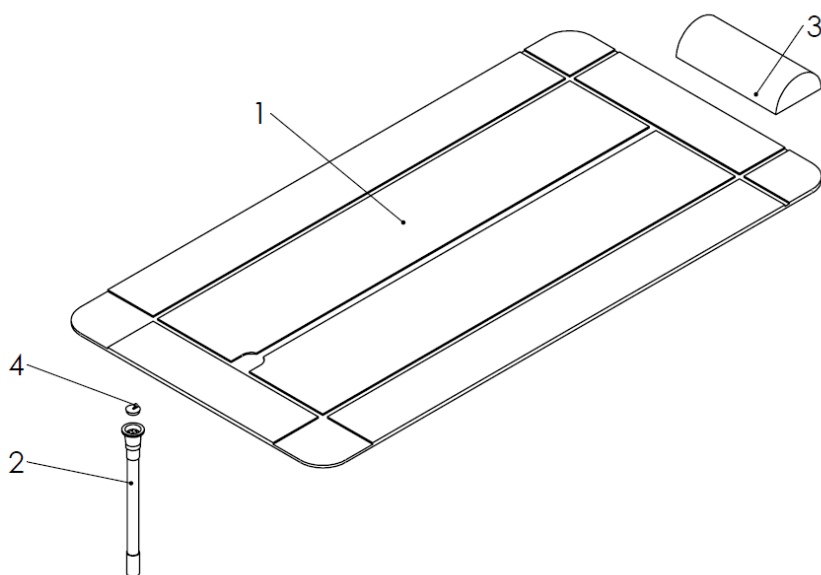


Figure 46: Mattress of shower trolley 155000

---

## 14. Notification in a case of incidents

In the case of any serious incident related with Shower Trolley, manufacturer and competent authority in the concerned Member State should be notified:

manufacturer:

**TIMO d.o.o. Ajdovščina**  
**Pod letališčem 5, 5270 Ajdovščina, Slovenia**  
Tel.: +386 5 36 89 330  
Fax: +386 5 36 63 805  
e-mail: [info@timo.si](mailto:info@timo.si)

Competent Authority

---

---

---

**MAINTENANCE AND SERVICES FORM**

SERVICE RECORD				
Name of equipment operator				
Phone				
Operator contact				
Product name		Serial number		
Product location		Date of purchase		
Maintenance and services activities				
Date	Technician	Spare parts	Maintenance or servicing	Notes

Periodically - every 6 months - the authorized service centre performs regular service check of the shower trolley. The regular service checks are recorded in a service data booklet for each shower trolley. This warranty is valid upon the fulfilment of the conditions stated herein. The customer is obliged to ensure that regular service checks are carried out and recorded in the service booklets.

**It is prohibited to modify and distribute this manual without the permission of the manufacturer TIMO d.o.o. Ajdovščina.**

### **Equipment for Hospitals - Clinics - Nursing Homes**

**TIMO d.o.o. Ajdovščina, Pod letališčem 5, 5270 Ajdovščina – Slovenia**  
Phone +386 (0) 5/36 89 330 Fax +386 (0) 5/36 63 805 e-mail: [info@timo.si](mailto:info@timo.si)