

BACKUP



REHASENSE

Shower Chair User's manual (EN)



more than mobility

1 General Information

Dear Customer,

This user manual contains a description of the medical device and important guidelines to ensure correct and safe use of the product. It is important to read this manual carefully prior to use. It is especially important to read the safety requirements and follow these.

REHASENSE continuously develops its products and reserves the right to change the specifications and functions of products without notice.

If you have any queries please contact your dealer or Rehasense directly. Contact information is located on the last page of this manual.

2 Indications & Intended Usage

The **Backup** shower chair has been designed as an assistance tool for people who have mobility problems. The device is specifically designed for individuals who require additional support and stability during washing. It is a medical device which is intended to be used only as a seating option for showering and bathing. Its purpose is to help physically handicapped people during their hygienic activities. Any other use is prohibited.

3 Safety Information

You must ensure that this user's manual is read by all people who use the device. The manufacturer does not take any responsibility for damages and/or injuries caused by the fact that the user's manual has not been read and followed.



Limitations for usage

- The device must not be loaded with more than 150 kg.
- The device is designed for indoor use and on flat surfaces only.
- Do not use this chair as a climbing aid.



Avoiding accidents

- Use the device only for the purpose it is intended for.
- Use the device only in good technical condition.
- Avoid making constructive changes to the device, unless you have the manufacturer's written agreement for such modifications.
- During different adjustments which are possible on the device the user must take care not to trap their fingers or other body parts between two moving parts of the device
- The device must only be used on a stable, flat surface.
- All legs **MUST** be in contact with the floor at ALL TIMES during use. This will ensure that the product is properly balanced, stabilized and should avoid accidents.



Be careful when you see this symbol on the device. Fingers or other body parts of a user and/or assistant can be trapped between the device's parts during folding, unfolding or adjusting of the device. Be extremely careful when adjusting the device. Observe the dimensions of gaps between the device's parts to avoid trapping your fingers or other body parts.

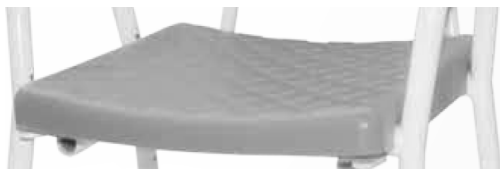
4 Delivery & general product description

The **Backup** shower chair is made from powder coated aluminium tubing, stainless steel parts, plastic and polyurethane. It is warm to the touch and corrosion resistant. The device is equipped with all the usual features of similar products for example adjustable seat height, detachable backrest, water resistant plastic seat pad and back pad. It is designed for individuals who require seating support during showering or while bathing. It is delivered with 1 Allen key needed for assembly.

Versions

Depending on order details the chair may be delivered in few versions:

- 2 versions of the chair: without or with backrest (optional).
- 2 types of backrest frame:
 - a simple backrest frame allowing 1 seat depth or
 - a backrest frame with extended tubes for seat depth adjustment (2 positions).
- 2 types of seat pad:



Standard seat



Hygienic seat

- 2 colour sets: grey-white or black-silver.

Initial Check

The shower chairs are supplied in boxes, disassembled into a few parts, for easier transportation. The contents are:

- 2 side frames
- 1 seat frame
- 1 seat pad
- 3 standard legs, length adjustable
- 1 leg with fine tuning foot, height adjustable
- 4 locking pins (device without backrest) or 6 locking pins (optional for device with the backrest)
- 1 Allen key, 4 bolts and 4 plastic washers for frame assembly
- 1 backrest frame (optional)
- 1 backrest pad (optional)
- 1 user's manual

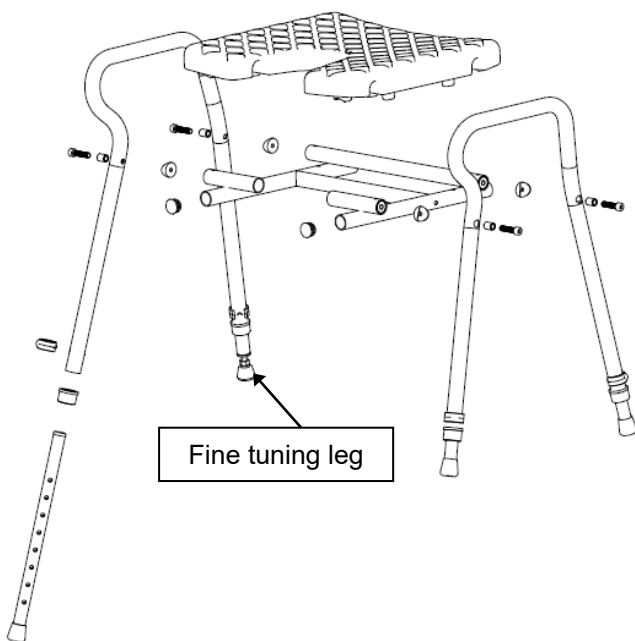
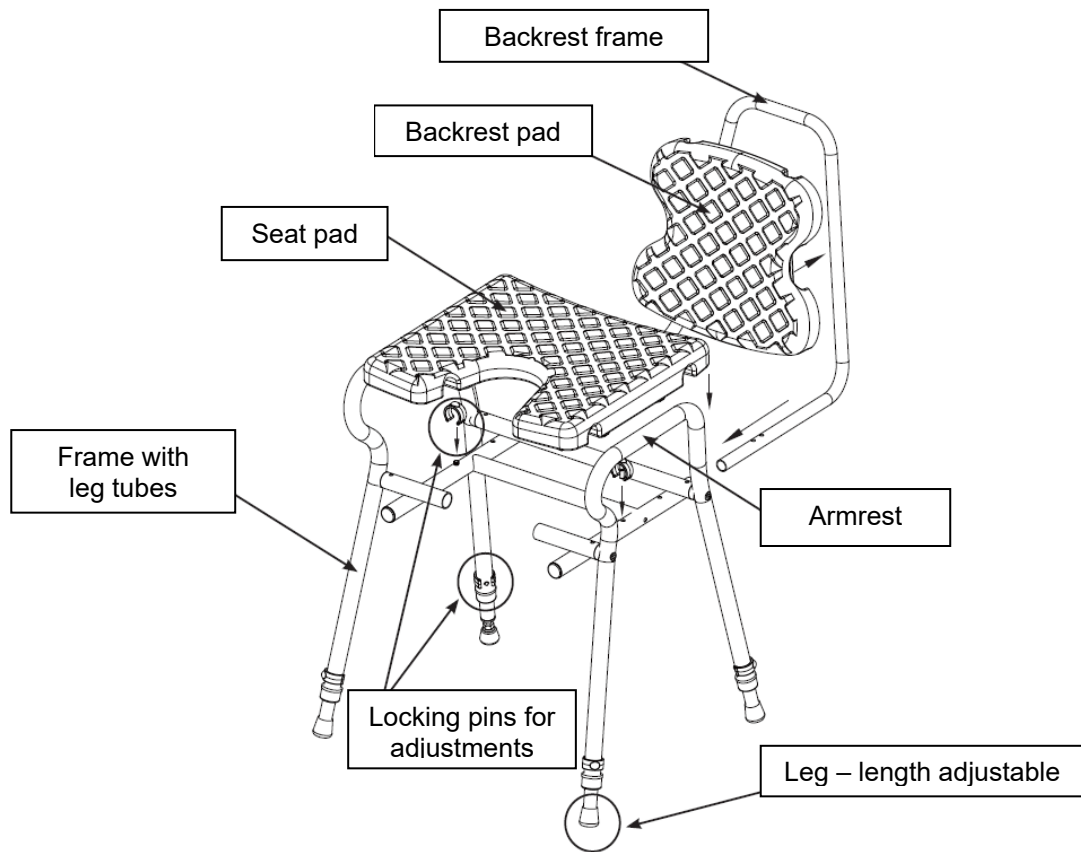
In the first instance take the device out of the box and check (using the list above) that nothing is missing. If you discover at this stage that a part is missing or damaged do not continue to assemble the product. Contact your supplier of the product right away.

5 Technical data

Max. load	150 kg
Seat depth	36,5 – 40 cm
Max weight with backrest	6,8 kg
Length with backrest	63 – 71,5 cm
Width	51 - 53 cm
Seat Width	40 cm
Height with backrest (7 positions)	79 – 97 cm
Height of the seat (7 positions) Seat height	44 - 64 cm
Height of the backrest Backrest height	36 cm

6 Product assembly & usage

With looking at the picture below the device should be prepared for use in an instinctive way. We recommend you follow the steps below:



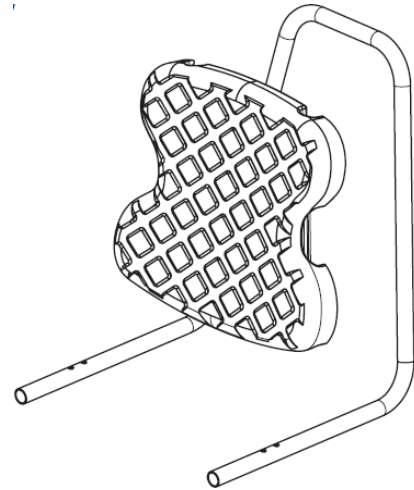
Assembly

1. Assemble main frame of 2 side frames and 1 seat frame as shown on the picture. Fix frame parts with 4 bolts using delivered Allen key. Don't forget to insert 4 plastic washers between side frames and seat frame as shown on picture.
2. Put the main frame upside-down on a flat, stable surface.
3. Slide 1 fine tuning leg into rear-right leg tube in the bottom of the main frame as shown on the picture.
4. Slide 3 standard legs into 3 other leg tubes in the bottom of the main frame.
5. Choose the length of 4 legs and lock them in chosen position with 4 locking pins.
 - a. Align holes on legs with holes chosen on leg tubes. Then press in the locking pins until the "click" sound is heard.
 - b. **ALL LEGS MUST BE ADJUSTED TO THE SAME POSITION!**

6. Turn the chair to up-right position and ensure it stands stable on all 4 legs.
7. The fine tuning leg (shown on the photo) is designed for final, precise adjustment and levelling of the chair. It is possible to twist and turn the rubber foot, to find optimal position for the chair to be stable and balanced.



8. Put the seat pad on the frame by aligning it with frame tubes and pressing until it will lock into place.
9. Slide tube ends of the backrest frame into the horizontal tubes under the seat (see picture on page 4).
10. Choose hole 1 or 2 to adjust the seat depth (optional) and lock the back frame in chosen position with 2 locking pins.
11. Put the backrest pad on the backrest frame by aligning it with frame tubes and pressing until it will lock into place.



- *Tighten all bolts and check if they are tight.*
- *Always ensure that all legs are adjusted to the same length*
- *Before using the chair make sure the locking pins for the legs and for the back frame are securely locked in their positions.*
- *Always test stability of the device before use to see if all the attachments are properly and safely locked in place.*
- *Failure to follow these warnings can result in personal injury.*

Choosing the correct leg length

The correct seat height is achieved when the seat pad is located about 2 cm below the back of the knees, when the user is stood up.

7 Transport description

The shower chair is not a device designed for frequent transportation, however if necessary it is not difficult to prepare it for transportation. If it is necessary we recommend disassembling it in the opposite way to the assembly description above. The device should be transported in a way that it is stable and there is no risk of sudden and/or dangerous movements of the transported device.

8 Cleaning description

- Regularly clean the device and keep it clean.
- Lighter dirt and dust can be removed with a wet cloth.
- Larger parts of dirt can be removed with a non-corroding, mild washing agent and warm water.
- Do not use harsh abrasives or bleach based cleaners, which may cause damage or discolouration.
- Dry parts with a soft cloth.
- In addition to cleaning as described above we recommend cleaning the product prior to the use by another patient, after ending of the period of use or on a regular basis (depending on which occurs first) to a maximum of 80°C for 10 minutes in an autoclave / maximum of 85°C for 3 minutes.



CAUTION! Risk of burning your skin – Allow the product to cool down after cleaning in a washing machine or an autoclave.



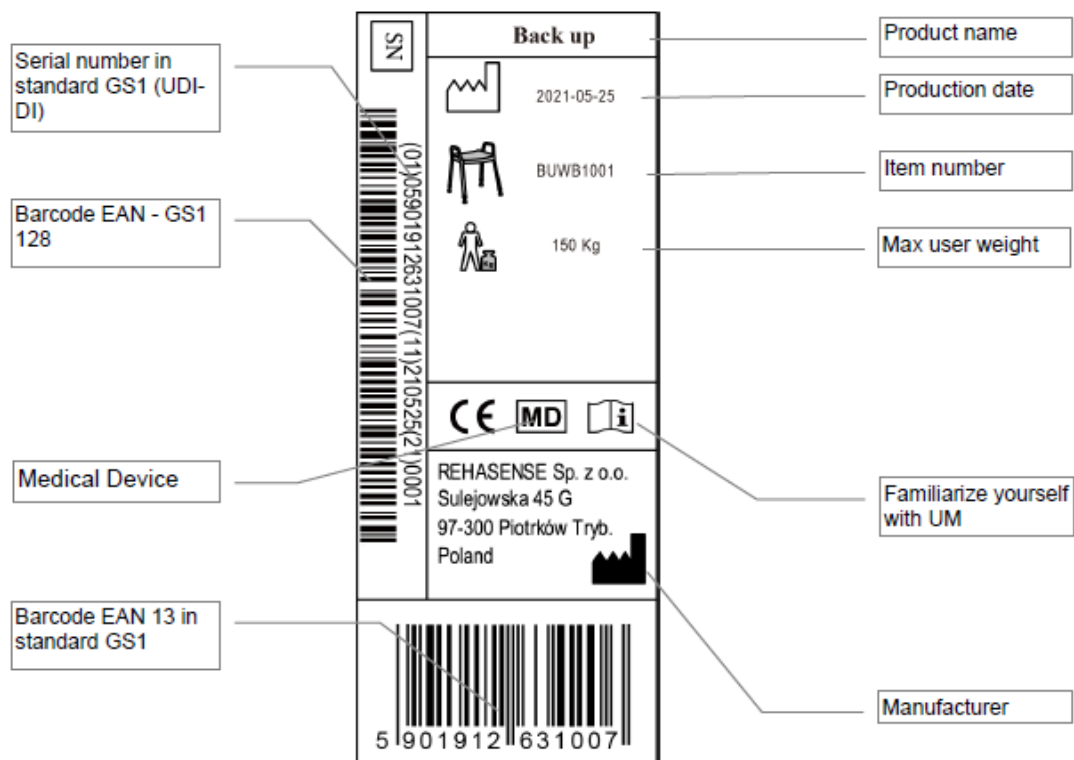
IMPORTANT! Risk of damage – Washing at higher temperatures can cause damage. – Do not tumble dry.

9 Maintenance

- Ensure that every part of the device is secured at ALL times.
- Check all locks are tight
- Replace any broken, damaged or worn parts immediately.
- Inspect the frame for any scratches or damages that may cause corrosion. Such parts must be protected against rust immediately.

10 Label

The product label is placed on one of the bottom tubes of the main frame (see picture):



11 How to deposit the product

The device should not be deposited with normal garbage. It should be delivered to the deposit station for re-use or recycling.

12 Warranty

The manufacturer offers a 3 years guarantee for errors in production. The guarantee does not cover damages caused by use of the product inconsistent with purpose set by manufacturer or by not following the instructions of this manual.



REHASENSE

In case of technical problems please contact your dealer. You can also contact Rehasense directly.

Dealer:

CAMP SCANDINAVIA / CAMP MOBILITY

Patamäenkatu 5
33900 Tampere
[09-350 76 310](tel:09-35076310)
info@campmobility.fi
www.campmobility.fi

MANUFACTURER

Rehasense® Sp.z o.o.
Sulejowska 45 G
97-300 Piotrków Trybunalski
Poland

www.rehasense.com
info@rehasense.com