







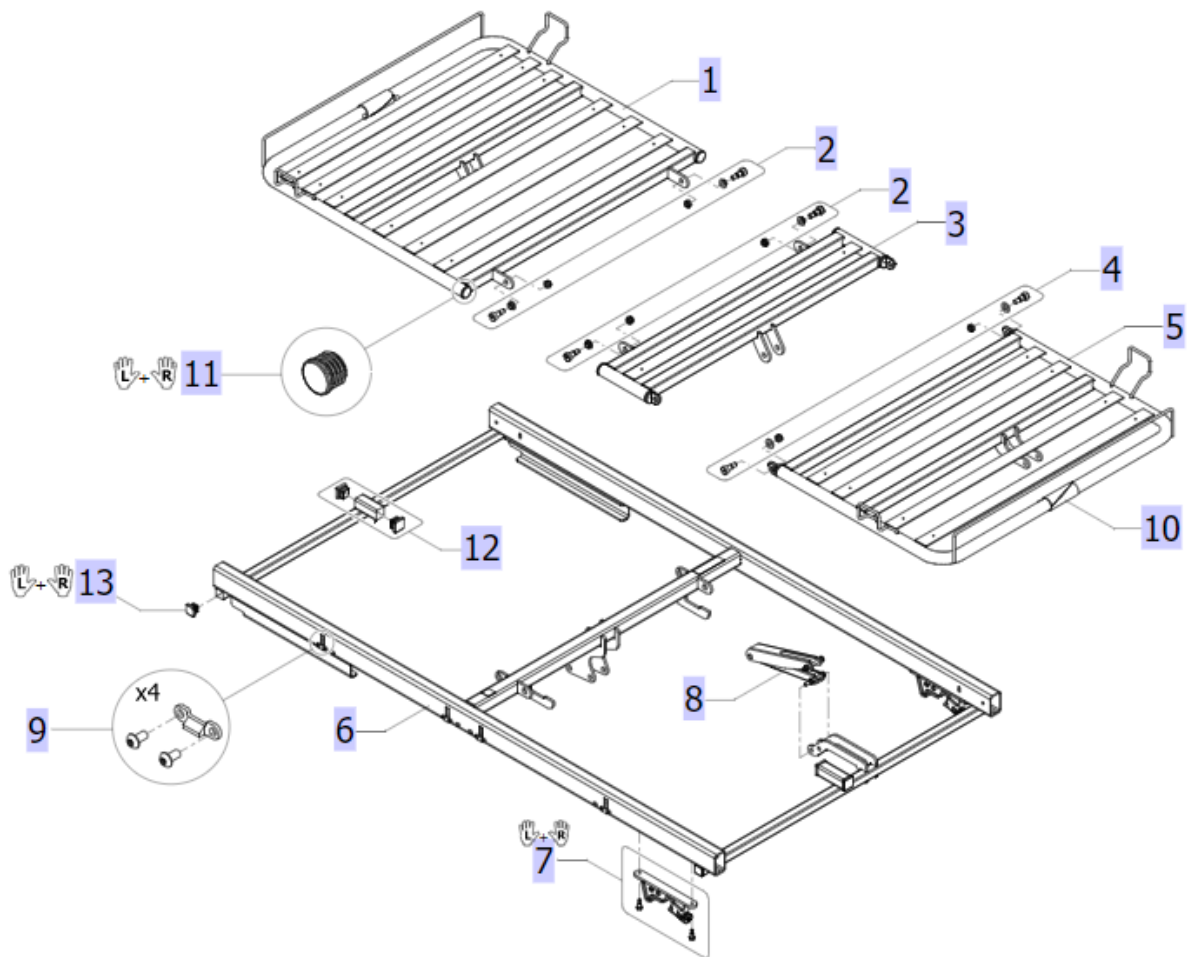




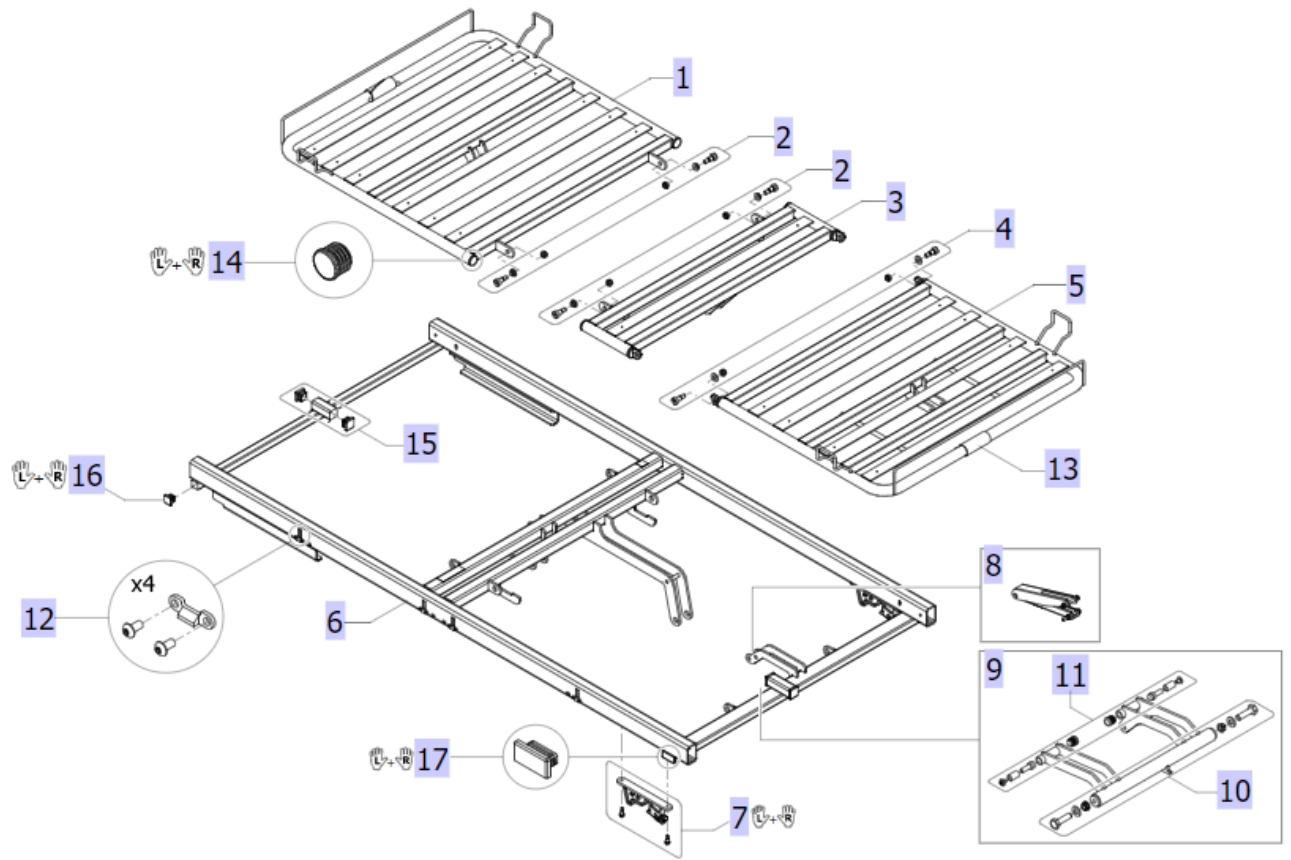
## Invacare® NordBed™ Kid

	Pos.	Description	Comments
	11	Mattress supports	
	21	Bases	
	31	Castors and brake systems	
	51	Bed end plates	
	61	Electrical parts	
	71	Side rails	
	91	Spareparts for Accessories	



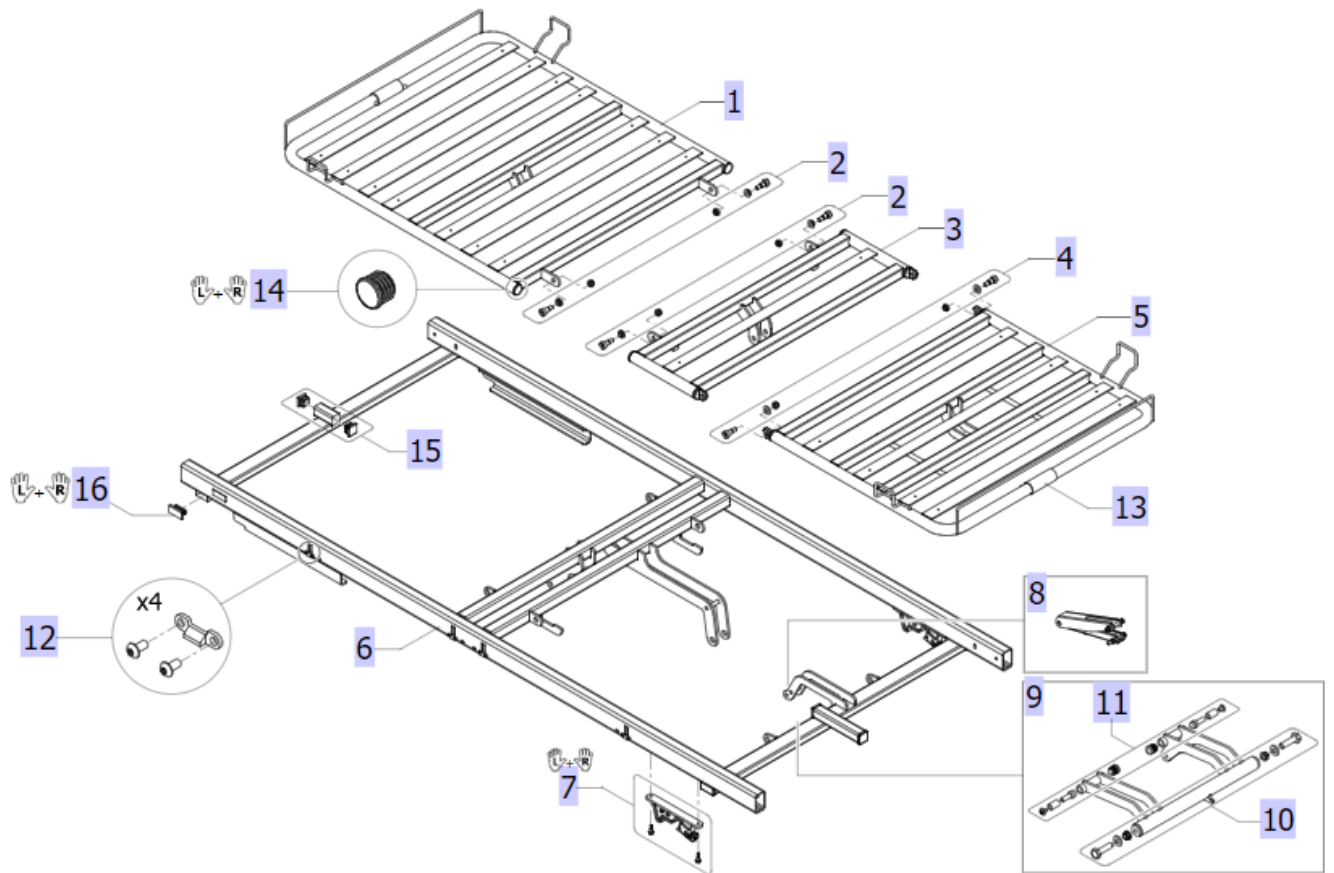
	Atte...	Pos.	Part No.	Description
		1	SP1655267	Backrest S complete
		2	SP1655268	Screw kit, backrest
		3	SP1655292	Thigh section S complete
		4	SP1655293	Screw kit, legrest
		5	SP60125097	Legrest section S complete
		6	SP1655294	Topframe S complete
		7	SP1655319	Locking device complete, pair
		8	SP60126792	Rastofix S complete
		9	SP1656216	Runaway kit for topframe
		10	SP1177216	Plastic cover
		11	SP1649955	Plug D25, plastic, pair
		12	SP1423912-7035	Ferrule 25x25, RAL 7035, 2-pcs
		13	SP1423915	Ferrule 20x20, 2-pcs

Mattress support M 80x160 cm



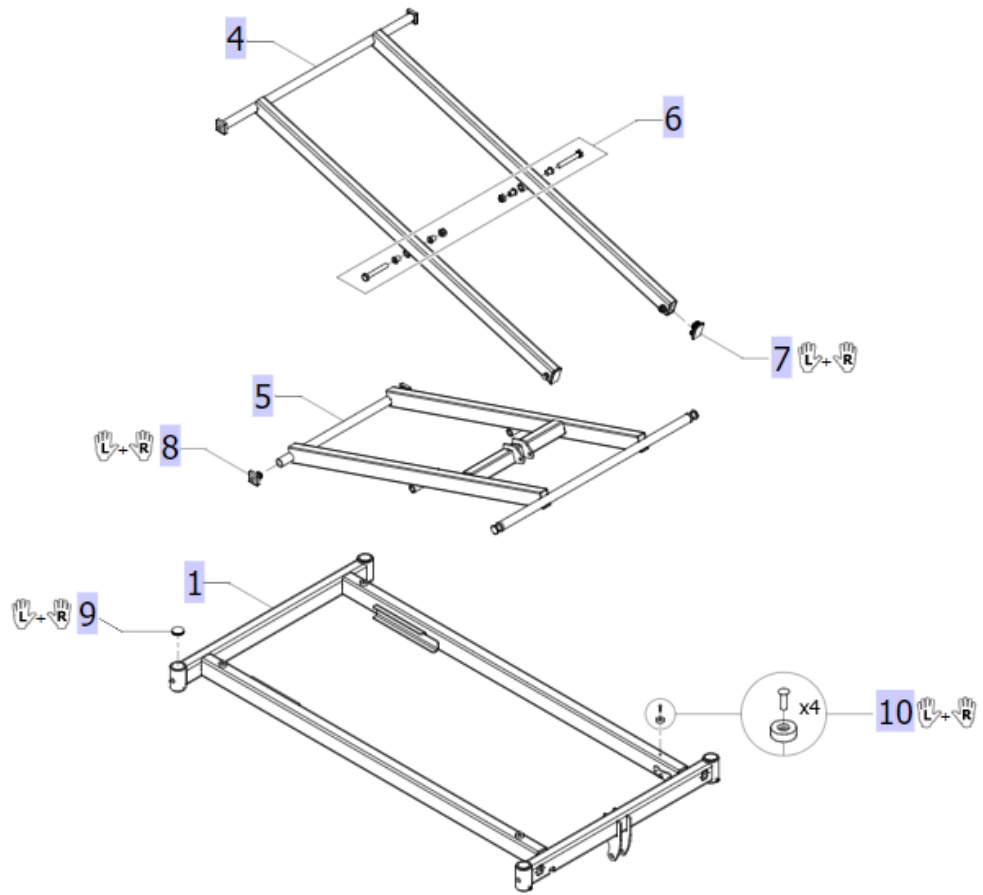
Atte...	Pos.	Part No.	Description
	1	SP1655320	Backrest M complete
	2	SP1655268	Screw kit, backrest
	3	SP1655322	Thigh section M complete
	4	SP1655293	Screw kit, legrest
	5	SP60125083	Legrest section M complete
	6	SP1655321	Topframe M complete
	7	SP1655319	Locking device complete, pair
	8	SP60125799	Rastofix M complete
	9	SP60125067	Roll for electric legrest, complete
	10	SP1655323	Screw kit, roll
	11	SP1656488	Nylon roll kit
	12	SP1656216	Runaway kit for topframe
	13	SP1177216	Plastic cover
	14	SP1649955	Plug D25, plastic, pair
	15	SP1423912-7035	Ferrule 25x25, RAL 7035, 2-pcs
	16	SP1423915	Ferrule 20x20, 2-pcs
	17	SP1653805-7035	Ferrule 40x20, 2-pcs

Mattress support L 80x179 cm



	Atte...	Pos.	Part No.	Description
		1	SP1655324	Backrest L complete
		2	SP1655268	Screw kit, backrest
		3	SP1655342	Thigh section L complete
		4	SP1655293	Screw kit, legrest
		5	SP60126139	Legrest section L complete
		6	SP1655343	Topframe L complete
		7	SP1655319	Locking device complete, pair
		8	SP60125801	Rastofix L complete
		9	SP60125067	Roll for electric legrest, complete
		10	SP1655323	Screw kit, roll
		11	SP1656488	Nylon roll kit
		12	SP1656216	Runaway kit for topframe
		13	SP1177216	Plastic cover
		14	SP1649955	Plug D25, plastic, pair
		15	SP1423912-7035	Ferrule 25x25, RAL 7035, 2-pcs
		16	SP1653805-7035	Ferrule 40x20, 2-pcs

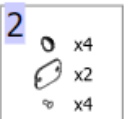
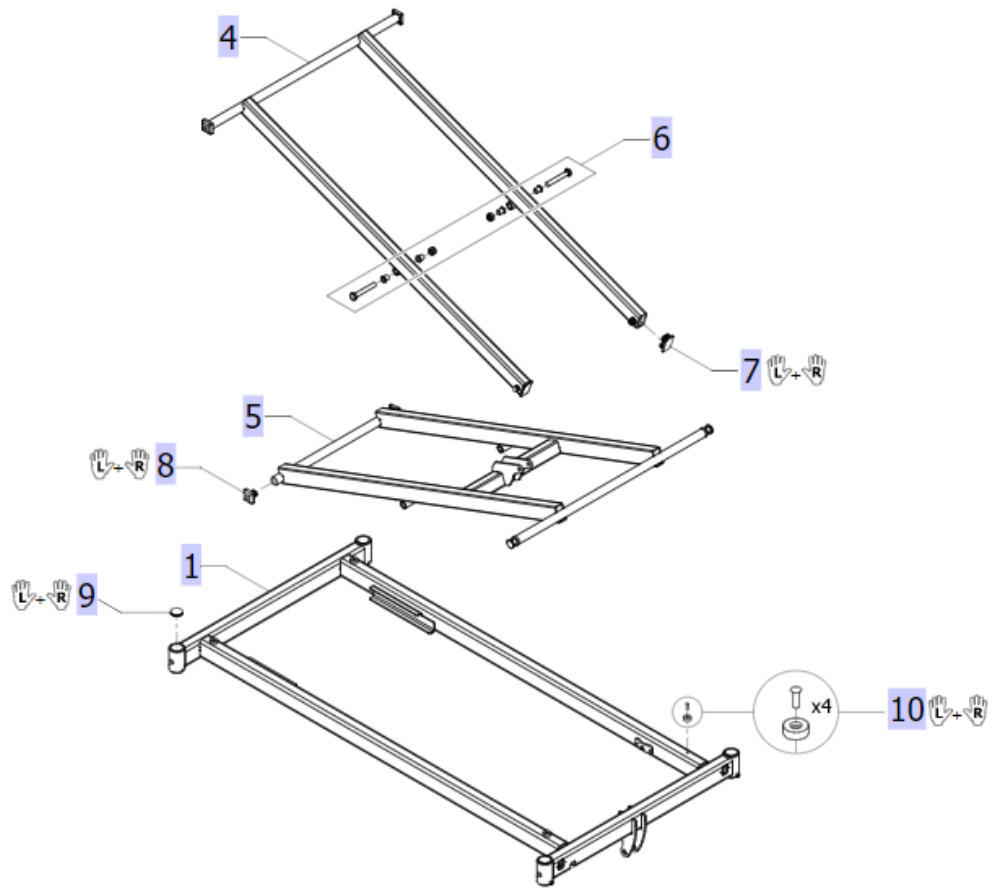
Base S



- 2**
- x4
  - x2
  - x4
- 3**
- x1
  - x4
  - x4

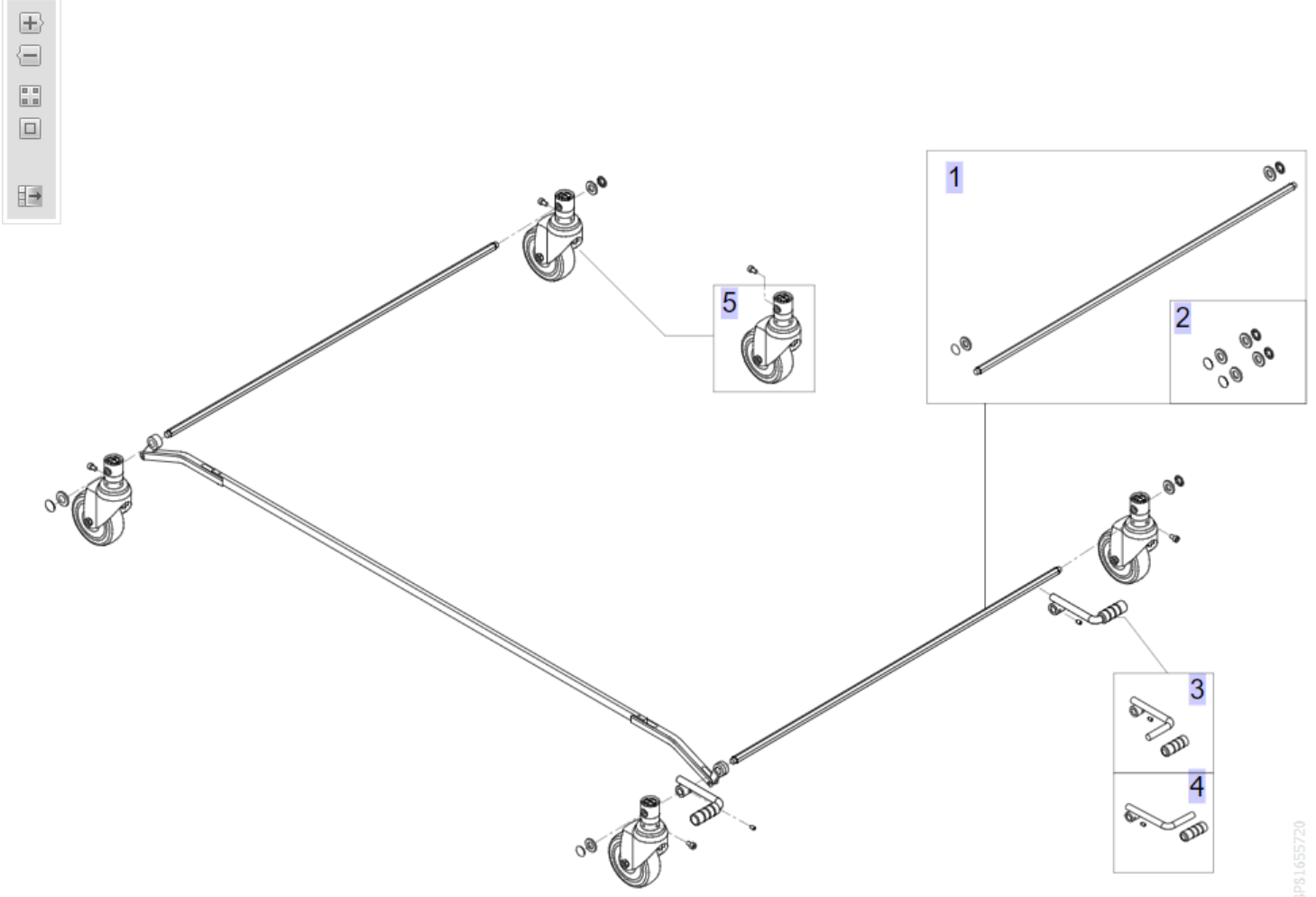
	Pos.	Part No.	Description
	1	SP60125085	Base S 80x140 cm
	2	SP1655431	Fitting kit, brake castor
	3	SP1655648	Fitting kit, central brake castor
	4	SP60125089	Scissor S, outer part complete
	5	SP60125090	Scissor S, inner part complete
	6	SP1655649	Screw kit, scissor
	7	SP1656638-7035	Scissors plug, pair
	8	SP1576689	Sliding shoe, pair, grey
	9	SP1643870	Cap D33, plastic, pair
	10	SP1656637	Base stopper kit, 4-pcs

Base M + L









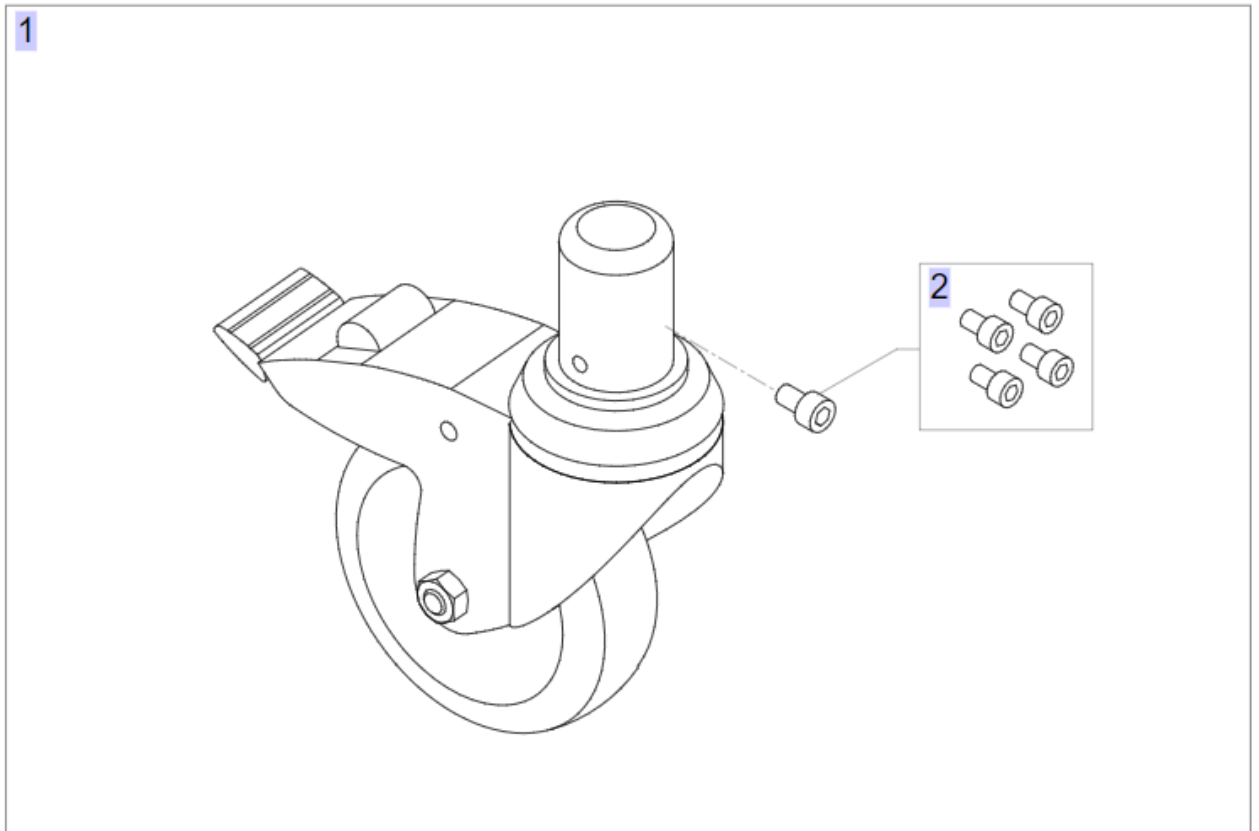
	Pos.	Part No.	Description
	1	SP60124555	Base M+L
	2	SP1655431	Fitting kit, brake castor
	3	SP1655648	Fitting kit, central brake castor
	4	SP60124556	Scissor M+L, outer part complete
	5	SP60124557	Scissor M+L, inner part complete
	6	SP1655649	Screw kit, scissor
	7	SP1656638-7035	Scissors plug, pair
	8	SP1576689	Sliding shoe, pair, grey
	9	SP1643870	Cap D33, plastic, pair
	10	SP1656637	Base stopper kit, 4-pcs

## Central brake systems



ISP81655720

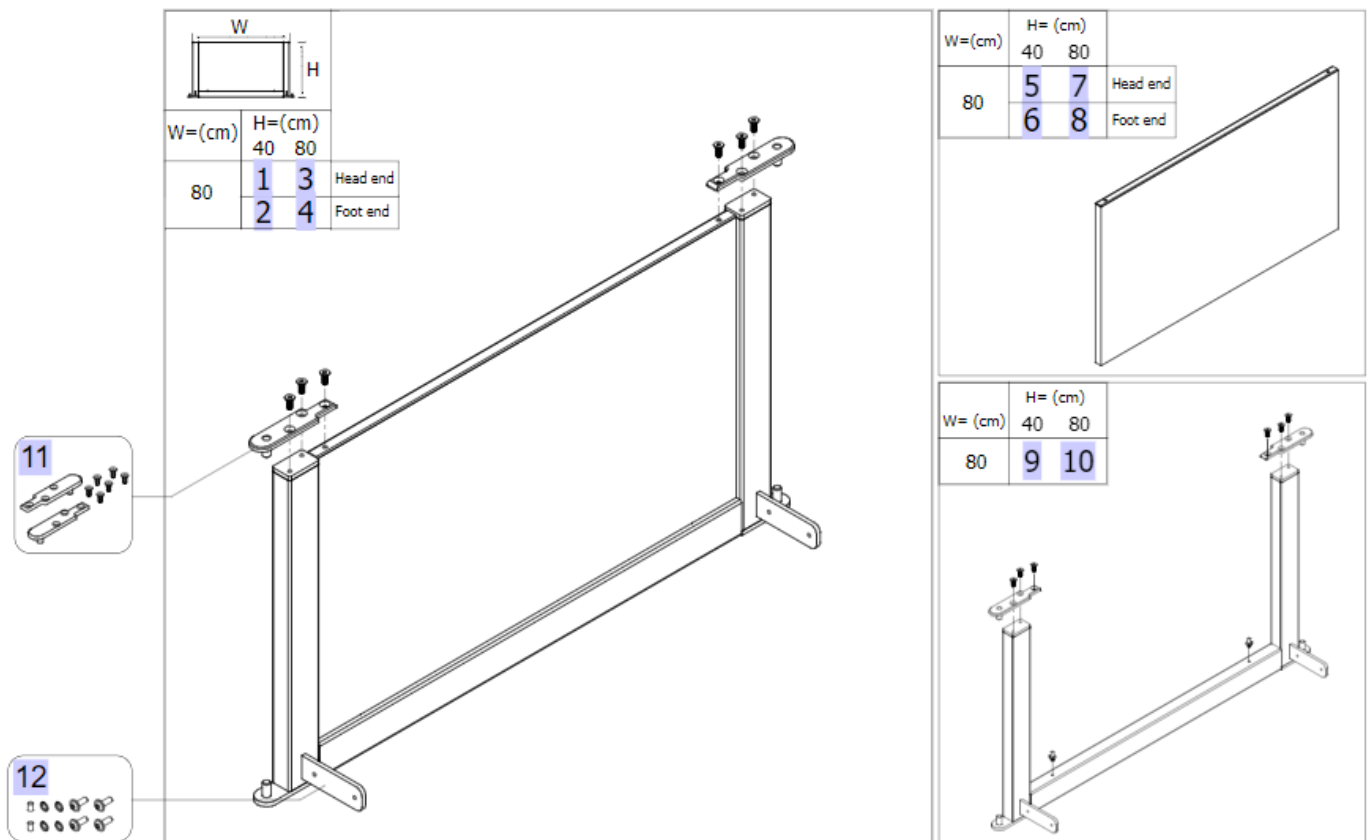
	Pos.	Part No.	Description
	1	SP1655650	Axle complete (1-pcs)
	2	SP1655651	Fitting kit, axle
	3	SP1655652	Pedal LH complete (1-pcs)
	4	SP1655653	Pedal RH complete (1-pcs)
	5	SP1643023	Castor 100mm, central brake



	Pos.	Part No.	Description
	1	SP1655654	Castor with brake complete (1-pcs)
	2	SP1655655	Screw kit (4-pcs), braking castor

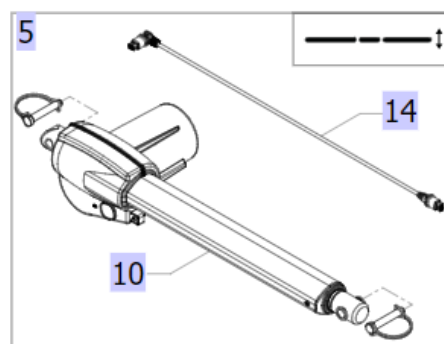
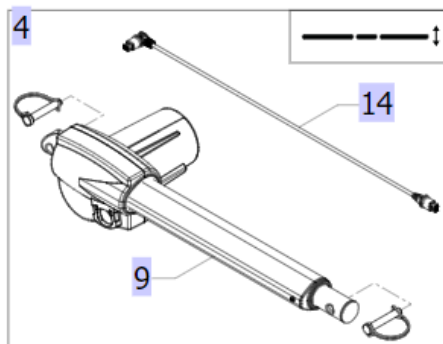
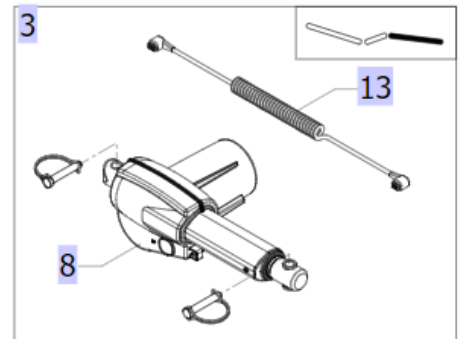
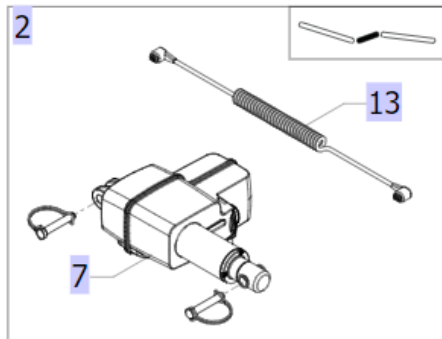
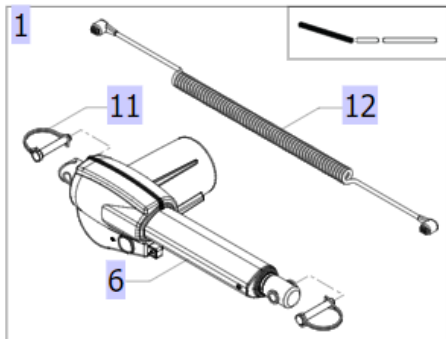


## Bed ends



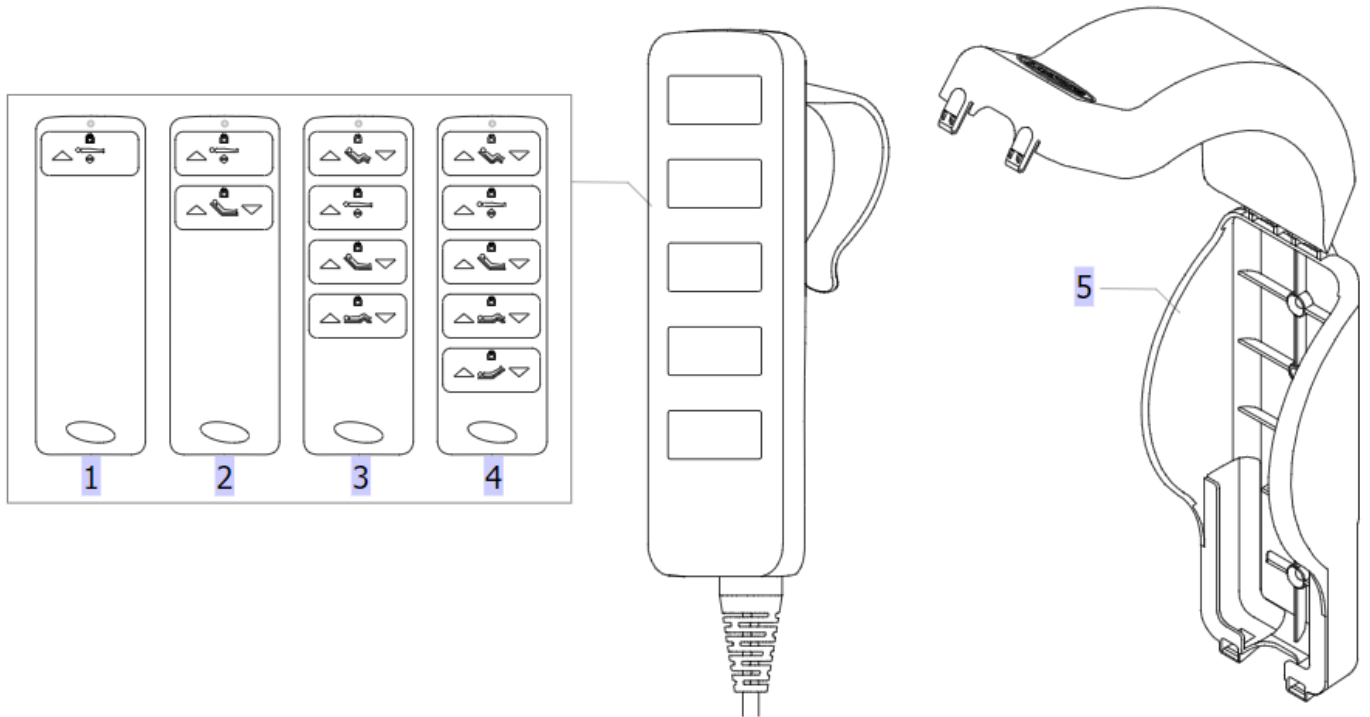
	Pos.	Part No.	Description
	1	SP60126142	Bed end complete 80x40, head end
	2	SP1656639	Bed end complete 80x40 cm, foot end
	3	SP60126144	Bed end complete 80x80, head end
	4	SP1656640	Bed end complete 80x80cm, foot end
	5	SP60126541	Bed end plate 80x40 cm, head end
	6	SP1656641	Bed end plate 80x40cm, foot end
	7	SP60125853	Bed end plate 80x80 cm, head end
	8	SP1656642	Bed end plate 80x80cm, foot end
	9	SP60125884	Frame 80x40, Bed end
	10	SP60125939	Frame 80x80, Bed end
	11	SP60125864	Bracket complete, Bed end
	12	SP1657680	Fixation kit for one bed end, NordBed Kid

## Actuators



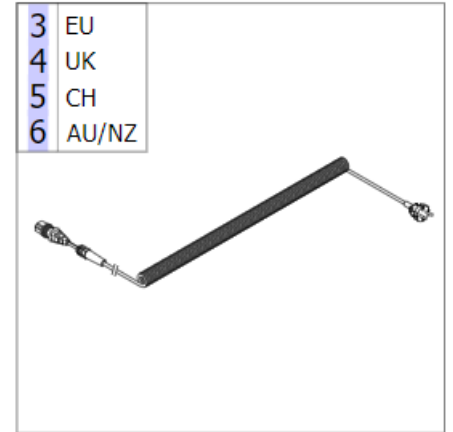
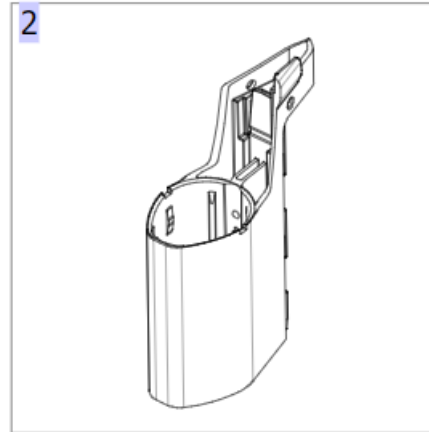
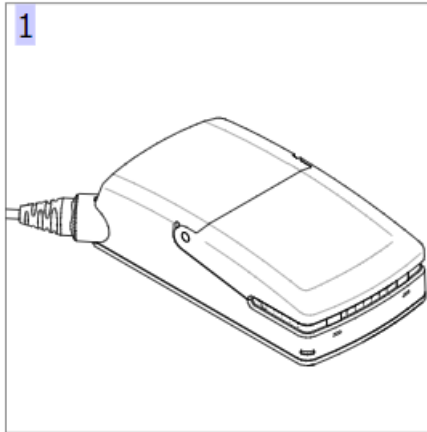
Pos.	Part No.	Description
1	SP1656643	Actuator kit, Back (S+M+L)
2	SP1656644	Actuator kit, Thigh (S+M+L)
3	SP1656645	Actuator kit, Leg (M+L)
4	SP1656646	Actuator kit, Height (S)
5	SP1656647	Actuator kit, Height (M+L)
6	SP60125071-7035	Actuator, Back (S+M+L)
7	SP60125072-7035	Actuator, Thigh (S+M+L)
8	SP60125073-7035	Actuator, Leg (M+L)
9	SP60125092-7035	Actuator, Height (S)
10	SP60125078-7035	Actuator, Height (M+L)
11	SP1507121	Locking pin $\varnothing 10 \times 50$ , 2-pcs
12	SP60126864-7035	Cable for Backrest actuator
13	SP60126865-7035	Cable for Thigh and Leg actuator
14	SP1177405-7035	Actuator Cable 600mm

Hand control



Pos.	Part No.	Description
1	SP60126749-7035	Handset HB400 - IPX6 (1 Button)
2	SP60126750-7035	Handset HB400 - IPX6 (2 Button)
3	SP60124527-7035	Handset HB400 - IPX6 (4 Button)
4	SP60124534-7035	Handset HB400 - IPX6 (5 Button)
5	SP60126221	Handset box

## Control unit

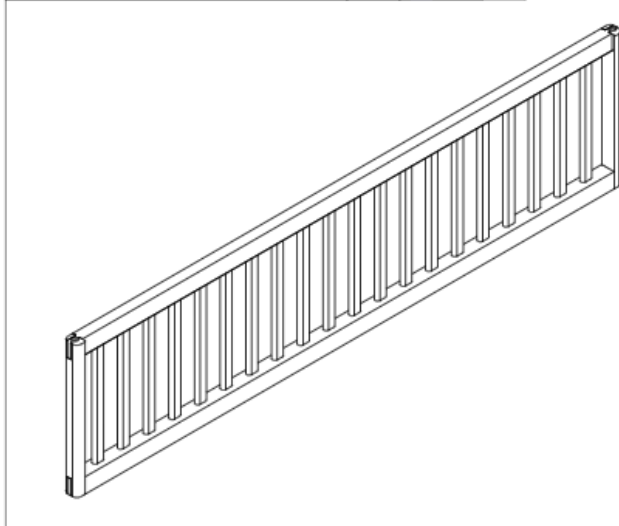


	Pos.	Part No.	Description
	1	SP60126828-7035	Control unit CO40
	2	SP60126829-7035	Mounting bracket for control unit CO40
	3	SP1577115-7035	Cable, control unit, EU-plug
	4	SP60126867-7035	Power cable for CO40, UK
	5	SP1518060	CH Mains Cord
	6	SP1539738-7035	AUS Main Cord

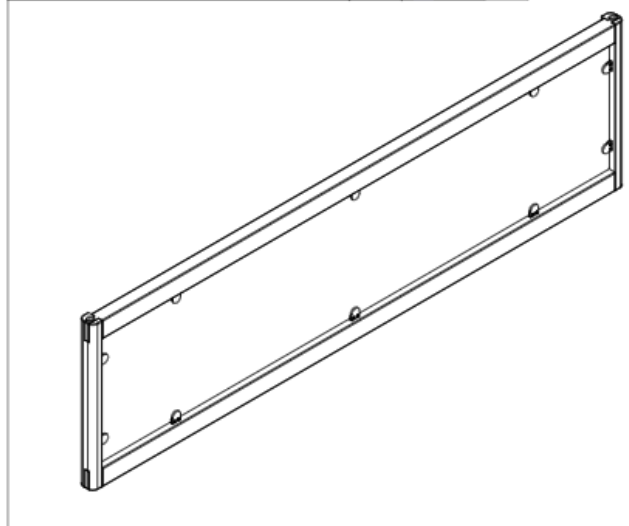
Bed side, fixed



H (cm)		L	H	40	80	
		140	-	1	S	
		160	2	3	M	
		179	4	5	L	
L (cm)						

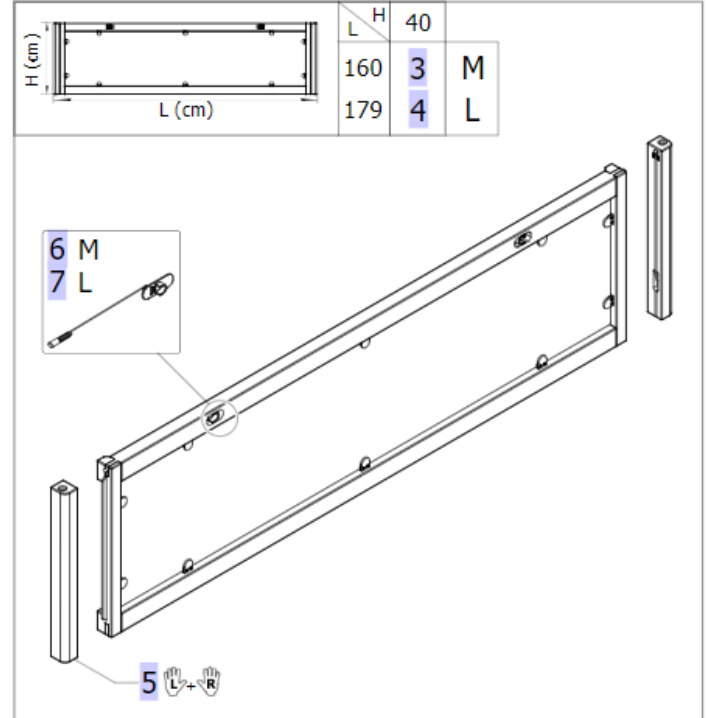
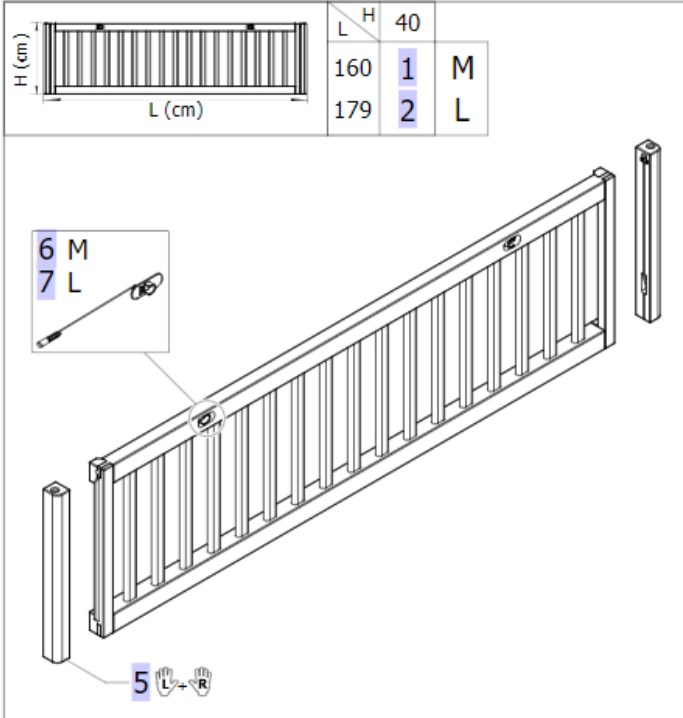


H (cm)		L	H	40	80	
		140	-	6	S	
		160	7	8	M	
		179	9	10	L	
L (cm)						



Pos.	Part No.	Description
1	SP60126547	Fixed side S complete, 140x80 cm
2	SP60126551	Fixed side M complete, 160x40 cm
3	SP60126088	Fixed side M complete, 160x80 cm
4	SP60125905	Fixed side L complete, 179x40 cm
5	SP60125893	Fixed side L complete, 179x80 cm
6	SP60128734	Fixed side S Perspex complete, 140x80 cm
7	SP60128726	Fixed side M Perspex complete, 160x40 cm
8	SP60128945	Fixed side M Perspex complete, 160x80 cm
9	SP60128721	Fixed side L Perspex complete, 179x40 cm
10	SP60128731	Fixed side L Perspex complete, 179x80 cm

Bed side, lowering side



Pos.	Part No.	Description
1	SP60126553	Lowering side M complete, 160x40 cm
2	SP60125885	Lowering side L complete, 179x40 cm
3	SP1656832	Lowering side L Perspex complete, 160x40 cm
4	SP60127983	Lowering side L Perspex complete, 179x40 cm
5	SP1656671	Pillar for lowering bed side, pair
6	SP1656670	Release handle for lowering bed side M
7	SP1657774	Release handle for lowering bed side L

Bed side, folding panels



H (cm)	L (cm)	H		Panel
		40	80	
140	-	1	S	
160	2	3	M	
179	4	5	L	

Callouts: 11 (Top release handle), 12 (Bottom release handle), 13 (Central block kit). x4 (Bottom release handle).

H (cm)	L (cm)	H		Panel
		40	80	
140	-	6	S	
160	7	8	M	
179	9	10	L	

Callouts: 11 (Top release handle), 12 (Bottom release handle), 13 (Central block kit). x4 (Bottom release handle).

Atte...	Pos.	Part No.	Description
	1	SP60126089	Folding panel S complete, 140x80 cm
	2	SP60126127	Folding panel M complete, 160x40 cm
	3	SP60125963	Folding panel M complete, 160x80 cm
	4	SP60126107	Folding panel L complete, 179x40 cm
	5	SP60125938	Folding panel L complete, 179x80 cm
	6	SP60128691	Folding panel S Perspex complete, 140x80 cm
	7	SP60128713	Folding panel M Perspex complete, 160x40 cm
	8	SP60128676	Folding panel M Perspex complete, 160x80 cm
	9	SP60128706	Folding panel L Perspex complete, 179x40 cm
	10	SP60128665	Folding panel L Perspex complete, 179x80 cm
	11	SP1656672	Top release handle for folding panels
	12	SP1656673	Bottom release handle for folding panels
	13	SP1656674	Central block kit